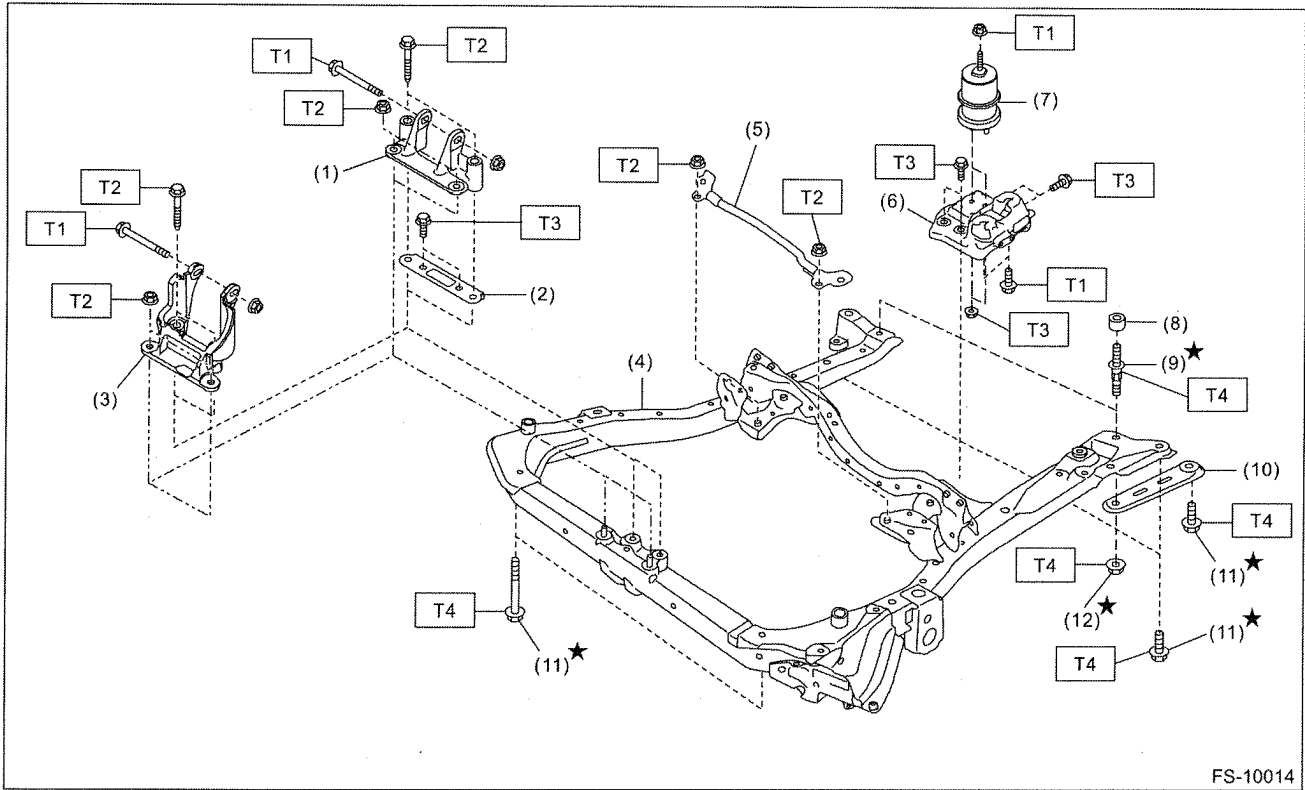


General Description

FRONT SUSPENSION

B: COMPONENT



- (1) Front mounting bracket (H6 model)
- (2) Bracket
- (3) Front mounting bracket (H4 model)
- (4) Cradle
- (5) Crossmember support - front
- (6) Main mounting bracket

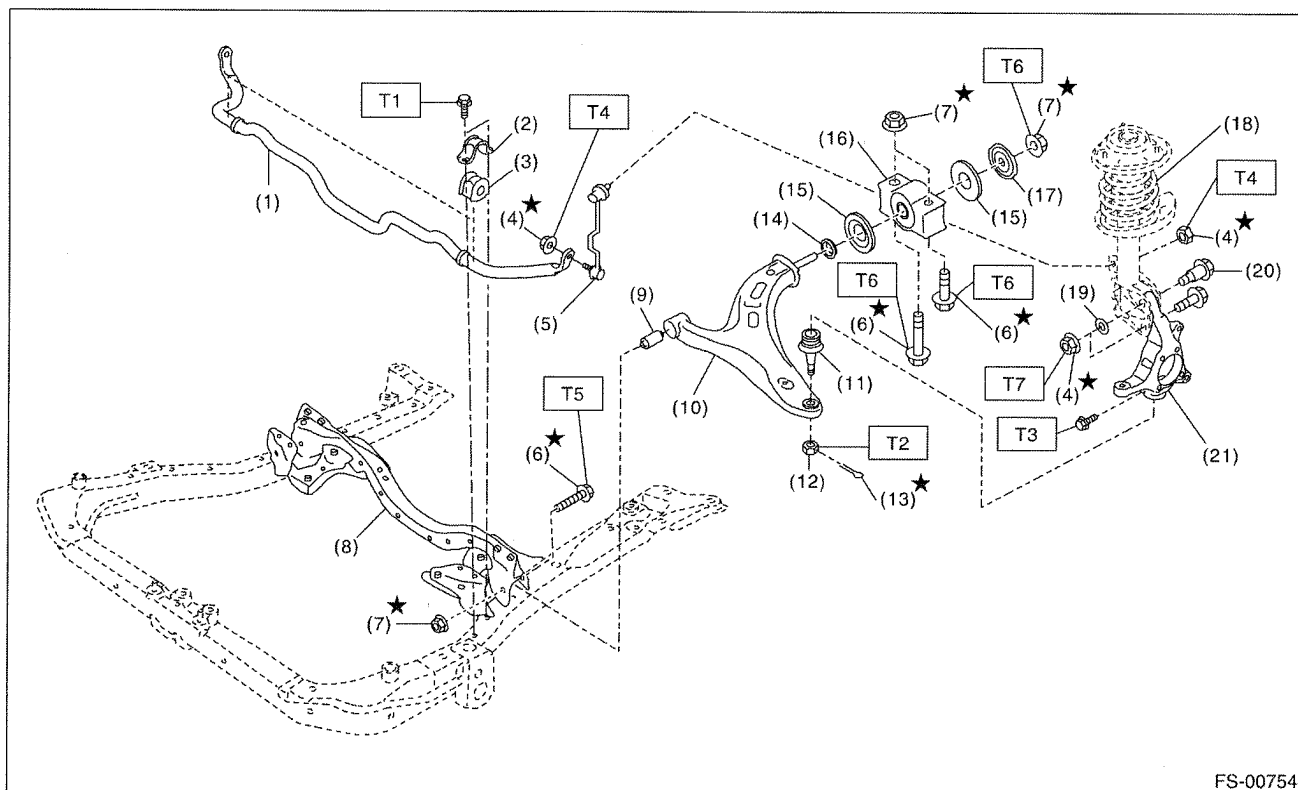
- (7) Main cushion rubber
- (8) Stopper (OUTBACK model only)
- (9) Stud bolt
- (10) Stiffener
- (11) Bolt
- (12) Self-locking nut

Tightening torque: N-m (kgf-m, ft-lb)

- T1: 45 (4.6, 33.2)**
- T2: 60 (6.1, 44.3)**
- T3: 65 (6.6, 47.9)**
- T4: 90 (9.2, 66.4)**

General Description

FRONT SUSPENSION



- | | | |
|--------------------------------|-----------------------------|--------------------------------|
| (1) Front stabilizer | (11) Ball joint ASSY | (21) Housing ASSY - front axle |
| (2) Clamp - stabilizer bushing | (12) Castle nut | |
| (3) Bushing - stabilizer | (13) Cotter pin | |
| (4) Flange nut | (14) Spacer - arm front | |
| (5) Stabilizer link ASSY | (15) Stopper - rubber front | |
| (6) Flange bolt | (16) Rear bushing ASSY | |
| (7) Self-locking nut | (17) Plate - arm front | |
| (8) Cradle | (18) Front strut ASSY | |
| (9) Front bushing | (19) Adjusting washer | |
| (10) Front arm ASSY | (20) Adjusting bolt | |

Tightening torque: N-m (kgf-m, ft-lb)

T1: 25 (2.5, 18.4)

T2: 39 (4.0, 28.8)

T3: 50 (5.1, 36.9)

T4: 60 (6.1, 44.3)

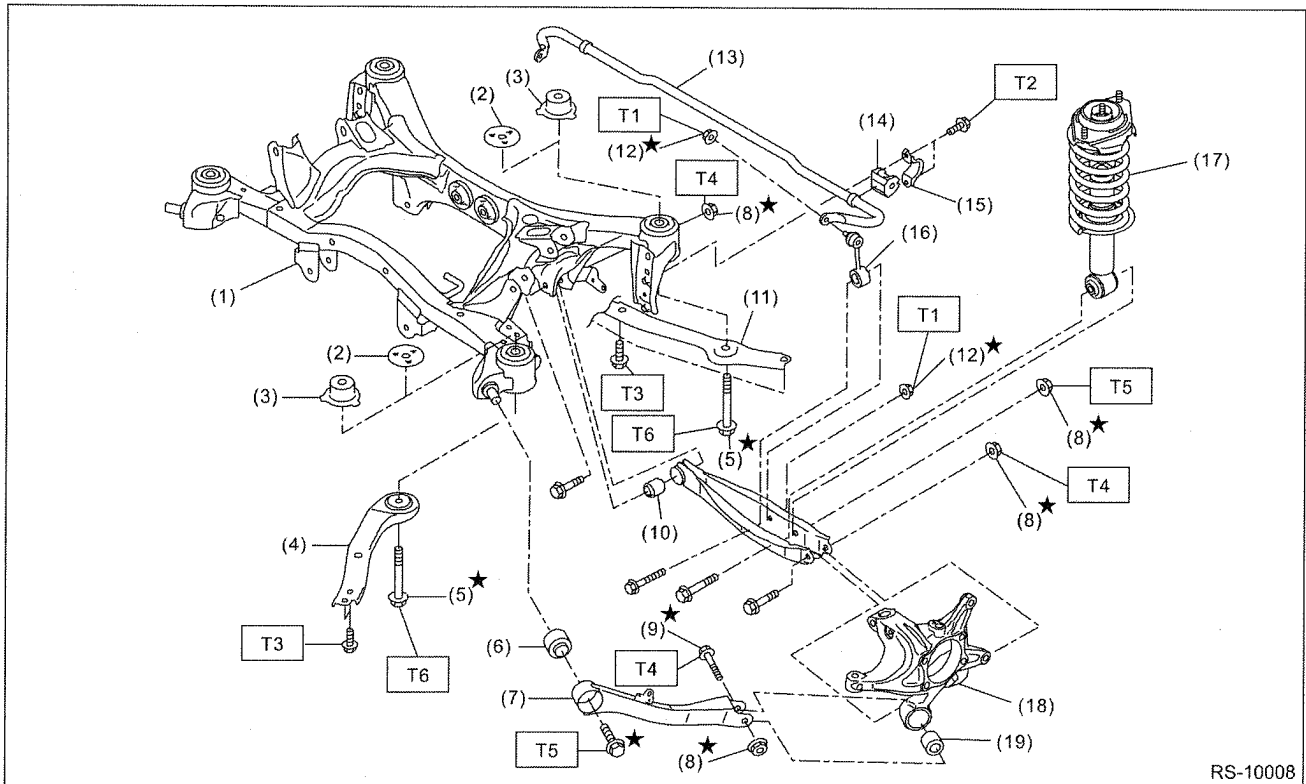
T5: 95 (9.7, 70.1)

T6: 140 (14.3, 103.3)

T7: 155 (15.8, 114.3)

B: COMPONENT

1. REAR SUSPENSION



RS-10008

- | | |
|--|---------------------------------|
| (1) Rear sub frame ASSY | (11) Support - sub frame |
| (2) Rear sub frame stopper upper (sedan model) | (12) Flange nut |
| (3) Rear sub frame stopper upper (OUTBACK model) | (13) Rear stabilizer |
| (4) Front sub frame support plate | (14) Bushing - stabilizer |
| (5) Flange bolt A | (15) Clamp - stabilizer bushing |
| (6) Bushing A - trailing link | (16) Stabilizer link ASSY |
| (7) Trailing link | (17) Rear shock absorber ASSY |
| (8) Self-locking nut | (18) Housing ASSY - rear axle |
| (9) Flange bolt B | (19) Bushing - trailing link |
| (10) Bushing C - lateral link rear | |

Tightening torque: N-m (kgf-m, ft-lb)

T1: 33 (3.4, 24.3)

T2: 38 (3.9 28.0)

T3: 70 (7.1, 51.6)

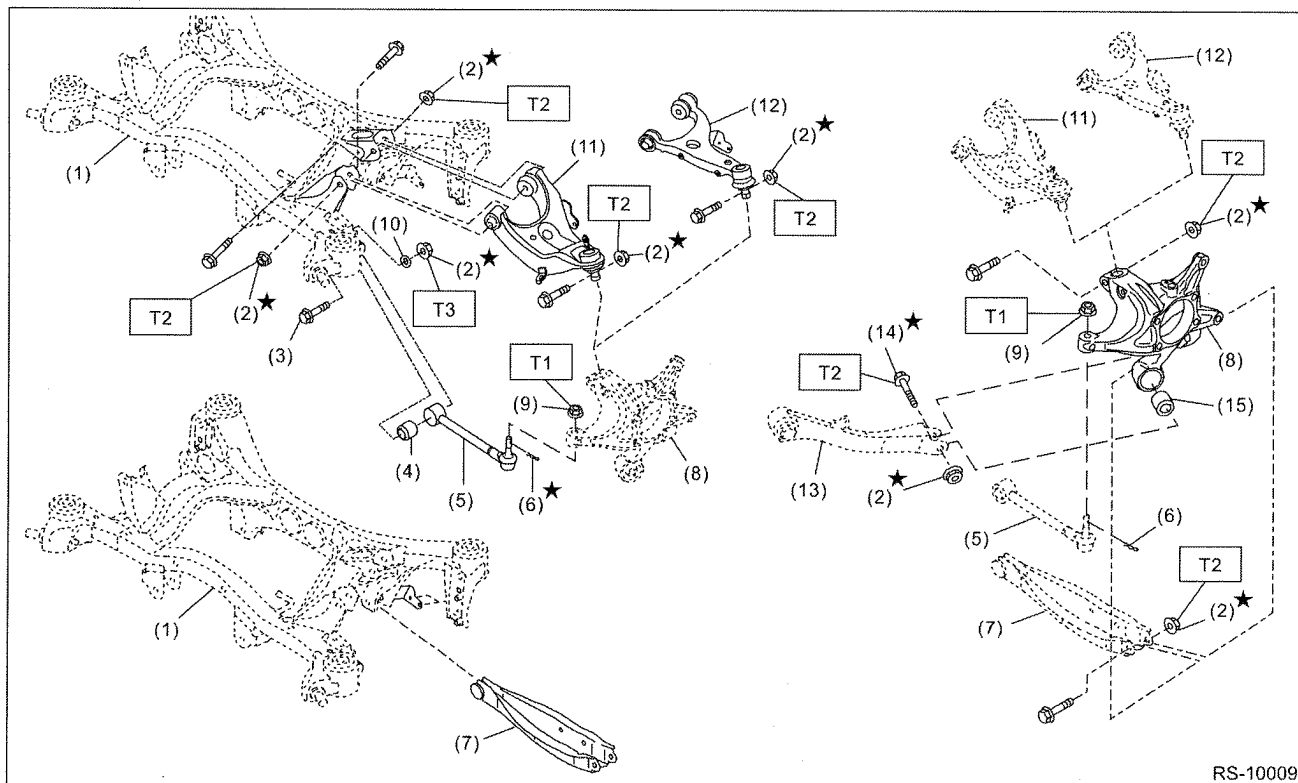
T4: 80 (8.2, 59.0)

T5: 120 (12.2, 88.5)

T6: 145 (14.8, 106.9)

General Description

REAR SUSPENSION



RS-10009

- | | | |
|-------------------------------|--|-----------------------------------|
| (1) Rear sub frame ASSY | (8) Housing ASSY - rear axle | (15) Bushing - rear trailing link |
| (2) Self-locking nut | (9) Flange nut | |
| (3) Adjusting bolt | (10) Adjusting washer | |
| (4) Bushing B - lateral link | (11) Rear upper arm ASSY (sedan model) | |
| (5) Lateral link ASSY - front | (12) Rear upper arm ASSY (OUTBACK model) | |
| (6) Snap pin | (13) Trailing link | |
| (7) Lateral link ASSY - rear | (14) Flange bolt | |

Tightening torque: N·m (kgf·m, ft·lb)

T1: 60 (6.1, 44.3)

T2: 80 (8.2, 59.0)

T3: 120 (12.2, 88.5)