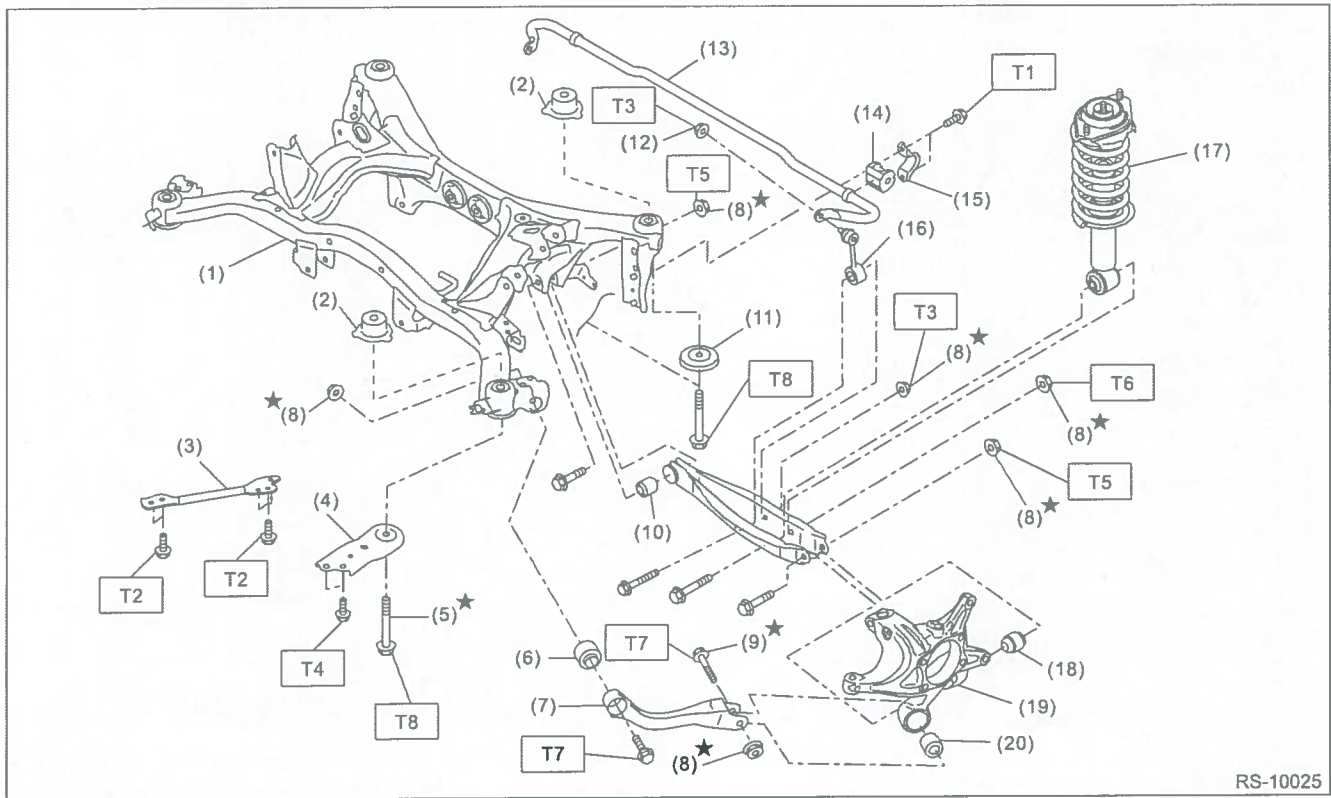


General Description

REAR SUSPENSION

B: COMPONENT

1. REAR SUSPENSION



RS-10025

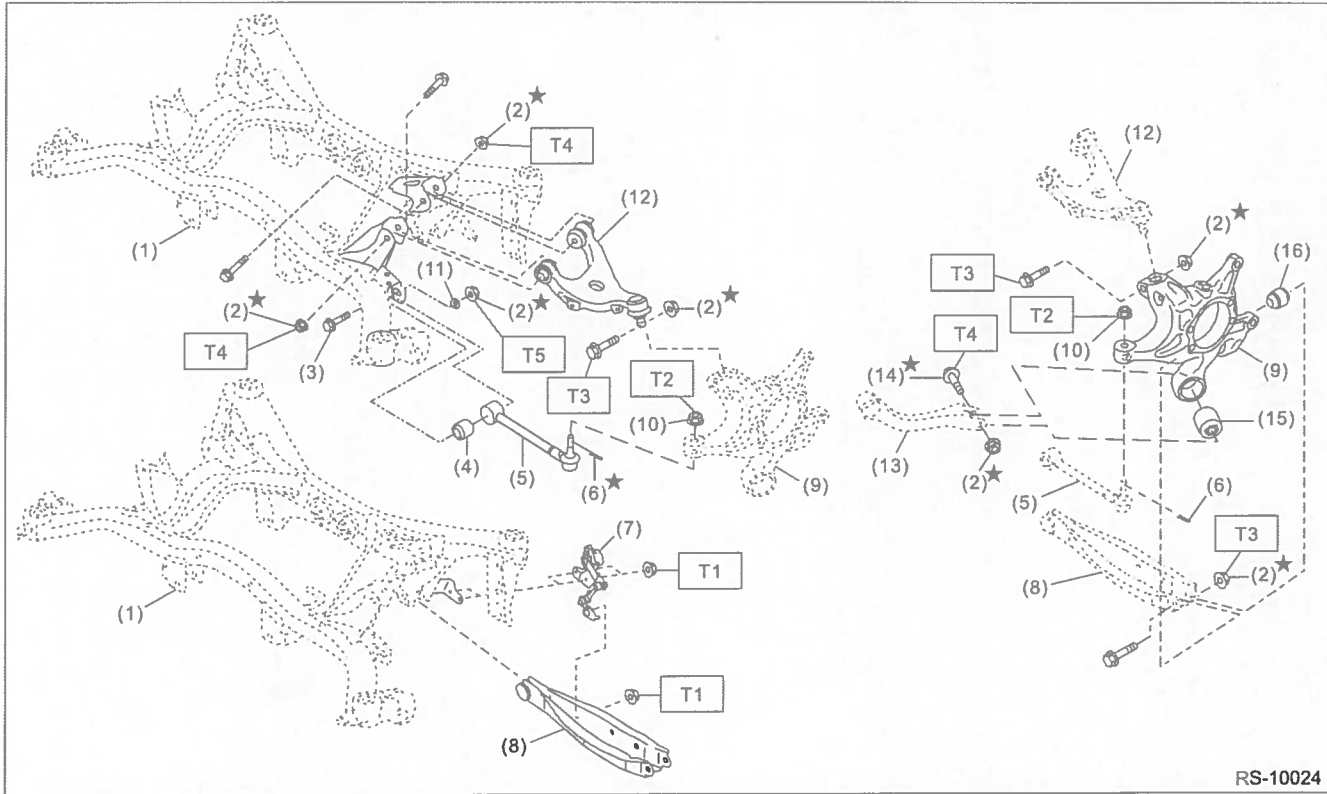
- | | |
|------------------------------------|---------------------------------|
| (1) Rear sub frame ASSY | (11) Stopper LWR |
| (2) Stopper UPR | (12) Flange nut |
| (3) Stay - rear frame COMPL | (13) Rear stabilizer |
| (4) Front sub frame support | (14) Bushing - stabilizer |
| (5) Flange bolt A | (15) Clamp - stabilizer bushing |
| (6) Bushing A - trailing link | (16) Stabilizer link |
| (7) Trailing link | (17) Rear shock absorber ASSY |
| (8) Self-locking nut | (18) Bushing - pillow ball |
| (9) Flange bolt B | (19) Housing ASSY - rear axle |
| (10) Bushing C - lateral link rear | (20) Bushing B - trailing link |

Tightening torque: N-m (kgf-m, ft-lb)

- T1: 30 (3.06, 22.1)**
T2: 33 (3.36, 24.3)
T3: 38 (3.87, 28.0)
T4: 70 (7.14, 51.6)
T5: 80 (8.16, 59.0)
T6: 85 (8.67, 62.7)
T7: 90 (9.18, 66.4)
T8: 145 (14.79, 106.9)

General Description

REAR SUSPENSION



RS-10024

- | | |
|---|----------------------------------|
| (1) Rear sub frame ASSY | (9) Housing ASSY - rear axle |
| (2) Self-locking nut | (10) Flange nut |
| (3) Adjusting bolt | (11) Adjusting washer |
| (4) Bushing B - lateral link | (12) Rear upper arm ASSY |
| (5) Lateral link ASSY - front | (13) Trailing link |
| (6) Snap pin | (14) Flange bolt |
| (7) Sensor ASSY - headlight beam leveler (models with auto headlight beam leveler only) | (15) Bushing - trailing link |
| (8) Lateral link ASSY - rear | (16) Bushing - rear axle housing |

Tightening torque: N-m (kgf-m, ft-lb)

T1: 7.5 (0.76, 5.5)

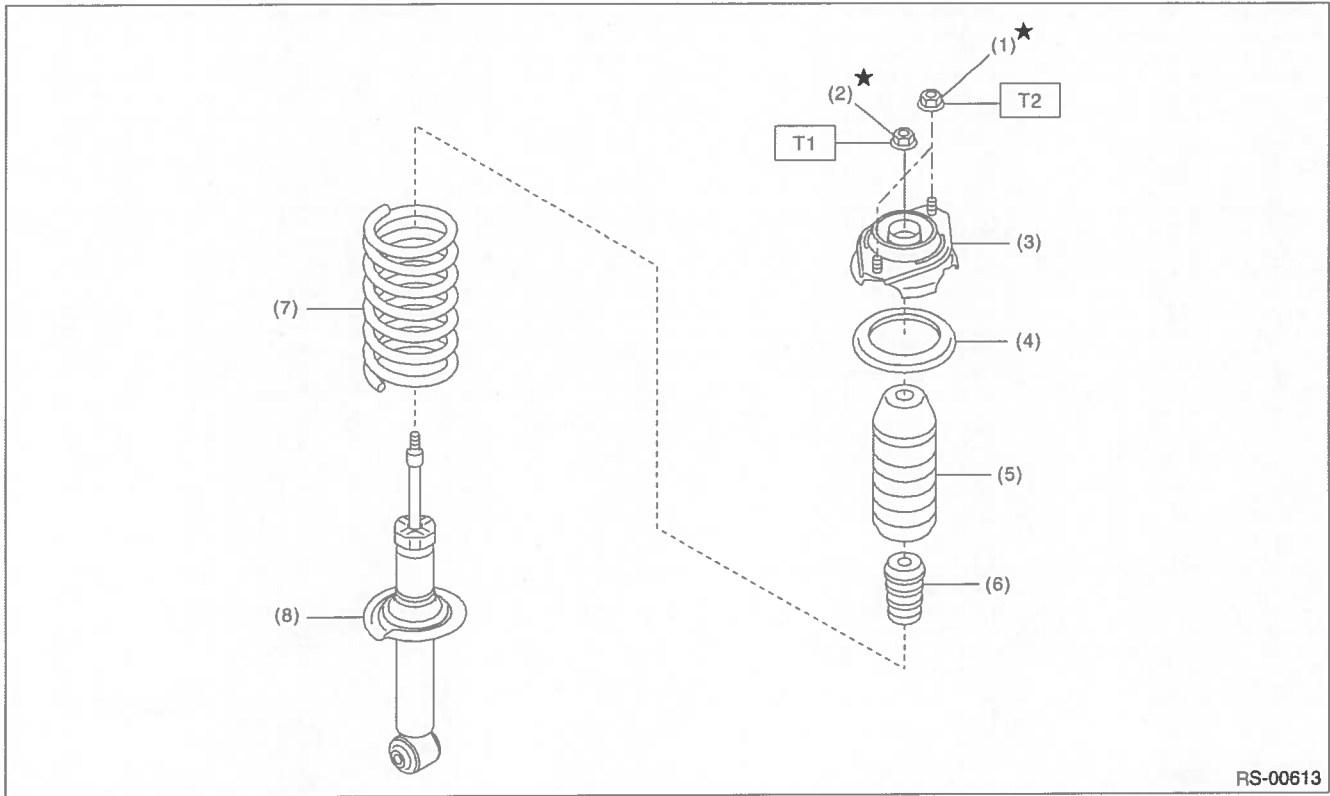
T2: 60 (6.12, 44.3)

T3: 80 (8.16, 59)

T4: 90 (9.18, 66.4)

T5: 100 (10.20, 73.8)

2. REAR SHOCK ABSORBER



RS-00613

- | | |
|-----------------------------|---------------------------------|
| (1) Flange nut | (5) Dust cover - rear shock |
| (2) Self-locking nut | (6) Helper - rear |
| (3) Shock mount - rear | (7) Coil spring - rear |
| (4) Rubber seat - shock UPR | (8) Shock absorber COMPL - rear |

Tightening torque: N-m (kgf-m, ft-lb)

T1: 25 (2.55, 18.4)

T2: 30 (3.06, 22.1)