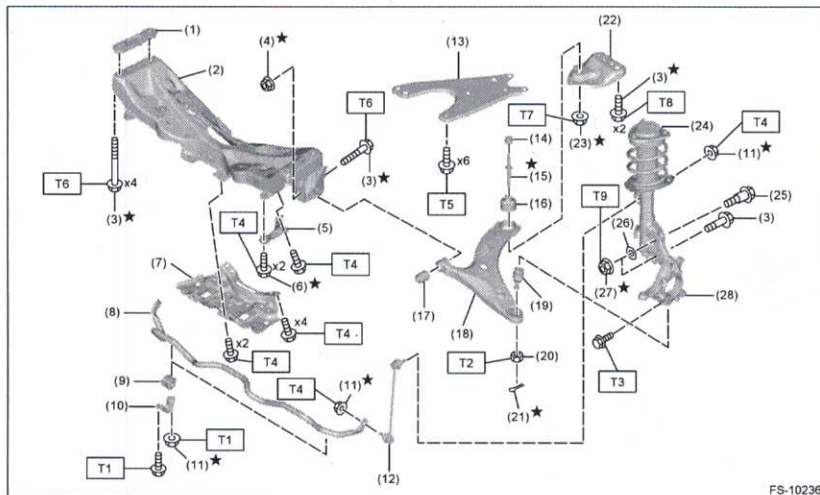


FRONT SUSPENSION > General Description  
COMPONENT

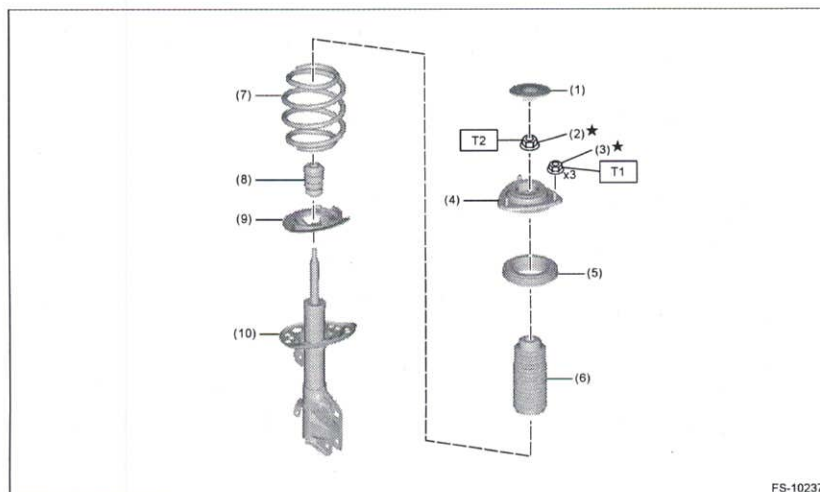
Forester 2019

1. FRONT SUSPENSION



- |                                     |                               |   |
|-------------------------------------|-------------------------------|---|
| (1) Spacer crossmember front        | (15) Stud bolt                | <b>Tightening torque: N-m (kgf-m, ft-lb)</b><br><b>T1: 25 (2.5, 18.4)</b><br><b>T2: 39 (4.0, 28.8)</b><br><b>T3: 50 (5.1, 36.9)</b><br><b>T4: 60 (6.1, 44.3)</b><br><b>T5: 70 (7.1, 51.6)</b><br><b>T6: 95 (9.7, 70.1)</b><br><b>T7: 110 (11.2, 81.1)</b><br><b>T8: 150 (15.3, 110.6)</b><br><b>T9: 155 (15.8, 114.3)</b> |
| (2) Crossmember COMPL front         | (16) Bushing rear front arm   |   |
| (3) Flange bolt                     | (17) Rubber bushing arm front |   |
| (4) Self-locking nut A              | (18) Arm COMPL front          |   |
| (5) Stiffener                       | (19) Ball joint COMPL         |   |
| (6) Bolt                            | (20) Castle nut               |   |
| (7) Crossmember support front       | (21) Cotter pin               |   |
| (8) Stabilizer front                | (22) Front arm rear plate     |   |
| (9) Rubber bushing stabilizer front | (23) Self-locking nut B       |   |
| (10) Clamp stabilizer               | (24) Strut assembly           |   |
| (11) Flange nut                     | (25) Adjusting bolt           |   |
| (12) Stabilizer link front          | (26) Adjusting washer         |   |
| (13) Crossmember support rear       | (27) Self-locking nut C       |   |
| (14) Stopper arm front              | (28) Front axle housing       |   |

2. FRONT STRUT



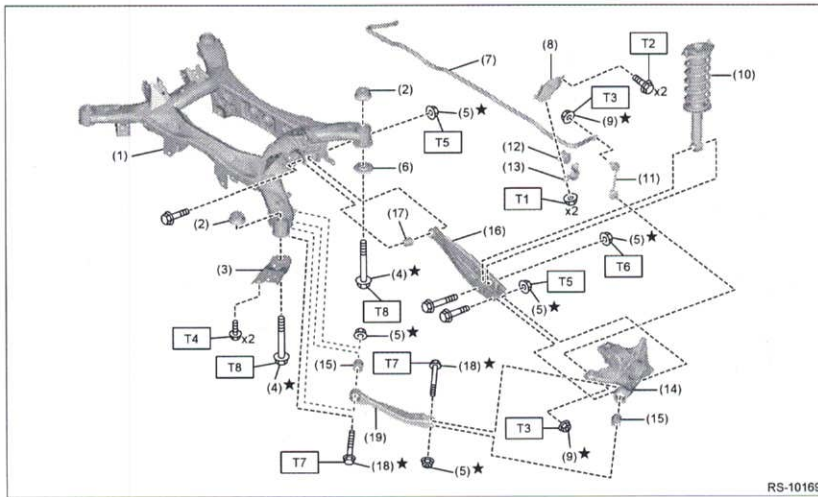
- |                         |                        |  |
|-------------------------|------------------------|--|
| (1) Dust seal           | (6) Dust cover front   | <b>Tightening torque: N-m (kgf-m, ft-lb)</b><br><b>T1: 32 (3.3, 23.6)</b><br><b>T2: 55 (5.6, 40.6)</b> |
| (2) Self-locking nut    | (7) Coil spring front  |  |
| (3) Flange nut          | (8) Helper front       |  |
| (4) Mount strut front   | (9) Rubber seat LWR    |  |
| (5) Mount bearing front | (10) Strut COMPL front |  |



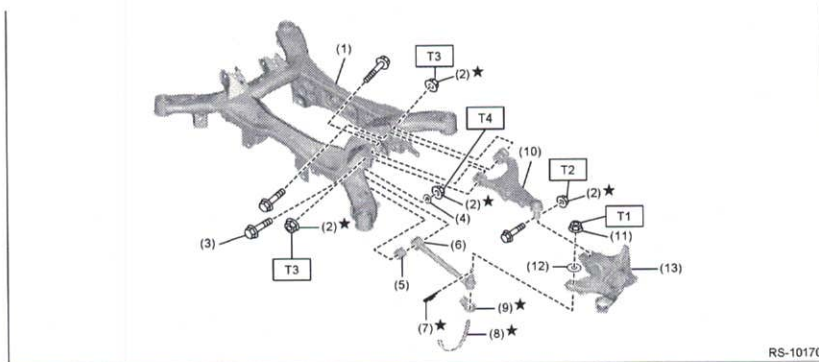
REAR SUSPENSION > General Description

COMPONENT

1. REAR SUSPENSION

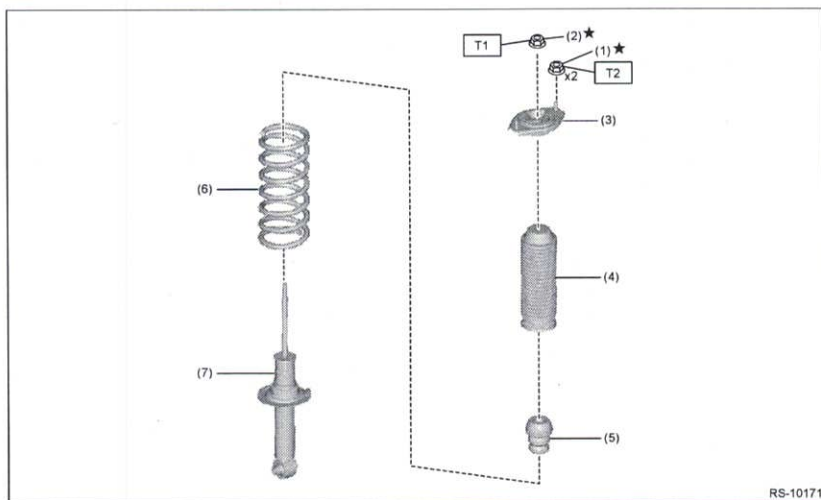


- |                                   |                                      |  |
|-----------------------------------|--------------------------------------|--|
| (1) Sub frame assembly rear       | (11) Stabilizer link rear            | <b>Tightening torque: N-m (kgf-m, ft-lb)</b> |
| (2) Stopper upper                 | (12) Rubber bushing stabilizer rear  |  |
| (3) Support sub frame front       | (13) Clamp stabilizer                | <b>T1: 30 (3.1, 22.1)</b>                    |
| (4) Flange bolt A                 | (14) Rear axle housing               | <b>T2: 35 (3.6, 25.8)</b>                    |
| (5) Self-locking nut              | (15) Rubber bushing trailing link    | <b>T3: 38 (3.9, 28.0)</b>                    |
| (6) Stopper lower                 | (16) Rear lateral link assembly rear | <b>T4: 70 (7.1, 51.6)</b>                    |
| (7) Stabilizer rear               | (17) Rubber bushing link rear        | <b>T5: 82.5 (8.4, 60.8)</b>                  |
| (8) Bracket COMPL stabilizer      | (18) Flange bolt B                   | <b>T6: 85 (8.7, 62.7)</b>                    |
| (9) Flange nut                    | (19) Trailing link assembly rear     | <b>T7: 100 (10.2, 73.8)</b>                  |
| (10) Shock absorber assembly rear |                                      | <b>T8: 145 (14.8, 106.9)</b>                 |



- |                                       |                              |  |
|---------------------------------------|------------------------------|--|
| (1) Sub frame assembly rear           | (8) Band link protector      | <b>Tightening torque: N-m (kgf-m, ft-lb)</b> |
| (2) Self-locking nut                  | (9) Link protector           |  |
| (3) Adjusting bolt                    | (10) Arm assembly rear upper | <b>T1: 60 (6.1, 44.3)</b>                    |
| (4) Adjusting washer                  | (11) Flange nut              | <b>T2: 80 (8.2, 59)</b>                      |
| (5) Rubber bushing lateral link front | (12) Washer                  | <b>T3: 90 (9.2, 66.4)</b>                    |
| (6) Rear lateral link assembly front  | (13) Rear axle housing       | <b>T4: 100 (10.2, 73.8)</b>                  |
| (7) Snap pin                          |                              |  |

2. REAR SHOCK ABSORBER



(1) Flange nut

(5) Helper rear

**Tightening torque: N·m (kgf·m, ft·lb)**

(2) Self-locking nut

(6) Coil spring rear

**T1: 25 (2.5, 18.4)**

(3) Mount shock absorber rear

(7) Shock absorber COMPL rear

**T2: 30 (3.1, 22.1)**

(4) Dust cover rear