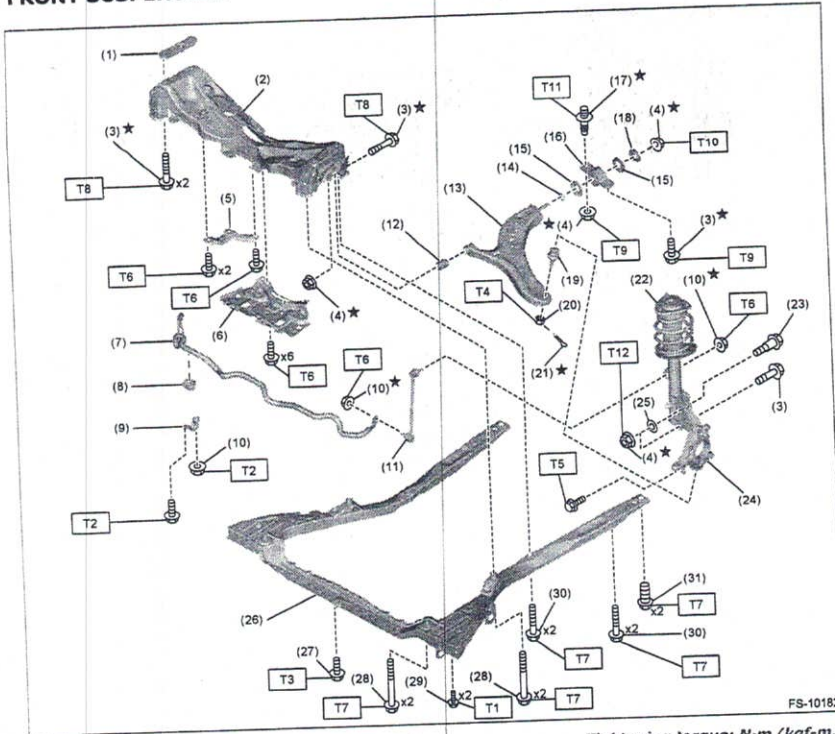


Ascent 2019.

FRONT SUSPENSION > General Description  
COMPONENT

1. FRONT SUSPENSION

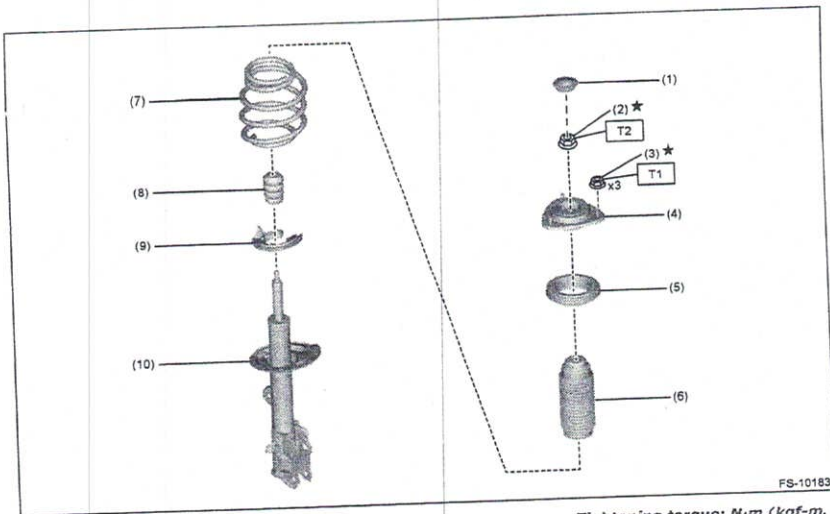


- |                                     |                         |
|-------------------------------------|-------------------------|
| (1) Spacer crossmember front        | (17) Stud bolt          |
| (2) Crossmember COMPL front         | (18) Plate arm front    |
| (3) Flange bolt A                   | (19) Ball joint COMPL   |
| (4) Self-locking nut                | (20) Castle nut         |
| (5) Clamp stiffener                 | (21) Cotter pin         |
| (6) Crossmember support front       | (22) Strut ASSY         |
| (7) Stabilizer front                | (23) Adjusting bolt     |
| (8) Rubber bushing stabilizer front | (24) Front axle housing |
| (9) Clamp stabilizer                | (25) Adjusting washer   |
| (10) Flange nut                     | (26) Sub frame COMPL    |
| (11) Stabilizer link front          | (27) Flange bolt B      |
| (12) Rubber bushing arm front       | (28) Flange bolt C      |
| (13) Arm COMPL front                | (29) Bolt               |
| (14) Spacer arm                     | (30) Flange bolt D      |
| (15) Stopper rubber arm             | (31) Flange bolt E      |
| (16) Arm front rear bushing ASSY    |                         |

**Tightening torque: N-m (kgf-m, ft-lb)**

<b>T1:</b> 7.5 (0.8, 5.5)
<b>T2:</b> 25 (2.5, 18.4)
<b>T3:</b> 32 (3.3, 23.6)
<b>T4:</b> 39 (4.0, 28.8)
<b>T5:</b> 50 (5.1, 36.9)
<b>T6:</b> 60 (6.1, 44.3)
<b>T7:</b> 90 (9.2, 66.4)
<b>T8:</b> 95 (9.7, 70.1)
<b>T9:</b> 120 (12.2, 88.5)
<b>T10:</b> 140 (14.3, 103.3)
<b>T11:</b> 150 (15.3, 110.6)
<b>T12:</b> 155 (15.8, 114.3)

2. FRONT STRUT

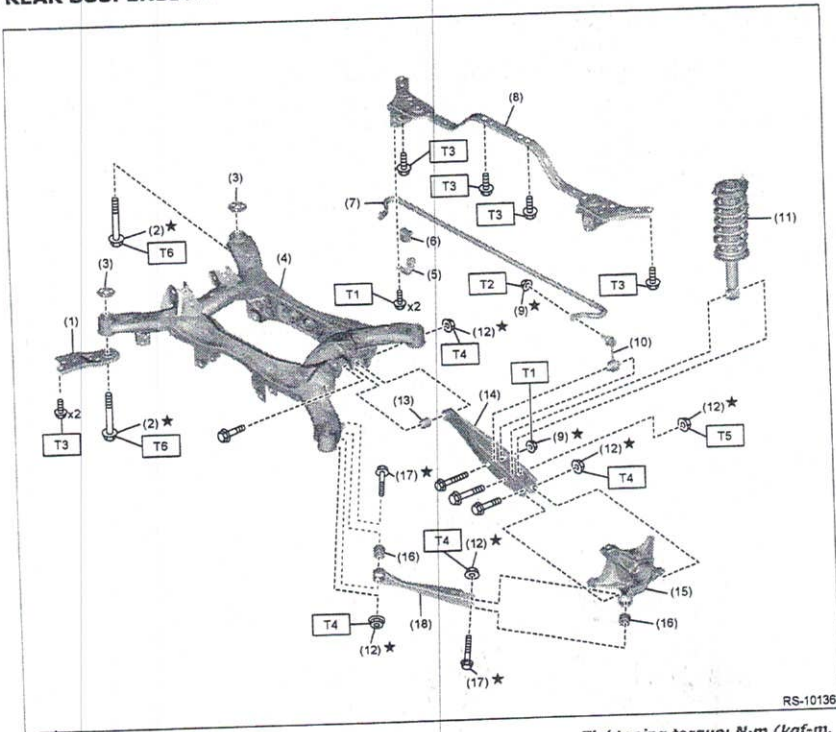


- (1) Dust seal
- (2) Self-locking nut
- (3) Flange nut
- (4) Mount strut front
- (5) Mount bearing front
- (6) Dust cover front
- (7) Coil spring front
- (8) Helper front
- (9) Rubber seat LWR
- (10) Strut COMPL front

**Tightening torque: N·m (kgf-m, ft-lb)**  
**T1: 32 (3.3, 23.6)**  
**T2: 55 (5.6, 40.6)**

REAR SUSPENSION > General Description  
COMPONENT

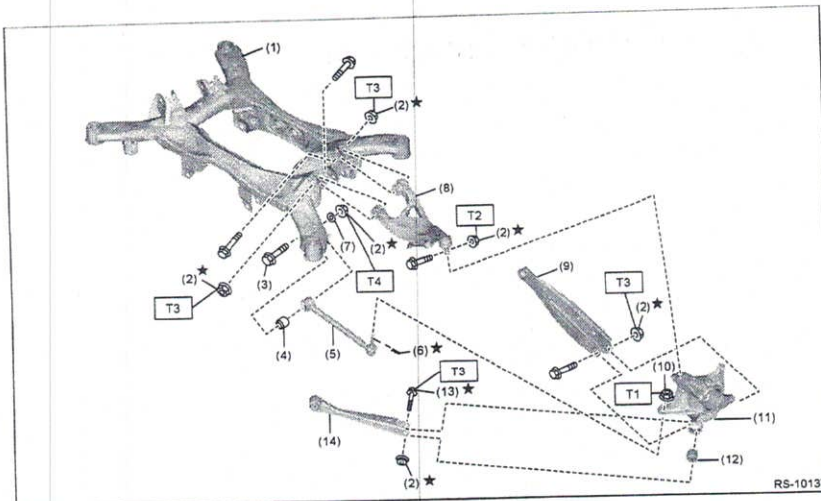
1. REAR SUSPENSION



- |                                    |                                   |
|------------------------------------|-----------------------------------|
| (1) Support sub frame front        | (10) Stabilizer link rear         |
| (2) Flange bolt A                  | (11) Shock absorber ASSY rear     |
| (3) Stopper upper                  | (12) Self-locking nut             |
| (4) Sub frame ASSY rear            | (13) Rubber bushing link rear     |
| (5) Clamp stabilizer               | (14) Rear lateral link ASSY rear  |
| (6) Rubber bushing stabilizer rear | (15) Rear axle housing            |
| (7) Stabilizer rear                | (16) Rubber bushing trailing link |
| (8) Support sub frame rear         | (17) Flange bolt B                |
| (9) Flange nut                     | (18) Trailing link ASSY rear      |

**Tightening torque: N·m (kgf-m, ft-lb)**

- T1: 38 (3.9, 28.0)**
- T2: 60 (6.1, 44.3)**
- T3: 70 (7.1, 51.6)**
- T4: 90 (9.2, 66.4)**
- T5: 120 (12.2, 88.5)**
- T6: 145 (14.8, 106.9)**



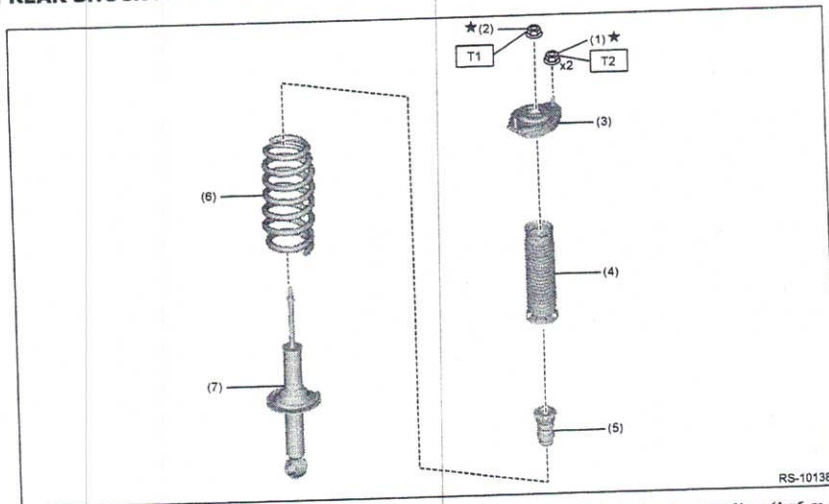
- |                                       |                                 |
|---------------------------------------|---------------------------------|
| (1) Sub frame ASSY rear               | (8) Arm ASSY rear upper         |
| (2) Self-locking nut                  | (9) Rear lateral link ASSY rear |
| (3) Adjusting bolt                    | (10) Flange nut                 |
| (4) Rubber bushing lateral link front | (11) Rear axle housing          |

**Tightening torque: N·m (kgf-m, ft-lb)**

- T1: 60 (6.1, 44.3)**
- T2: 80 (8.2, 59)**
- T3: 90 (9.2, 66.4)**

- (5) Rear lateral link ASSY front      (12) Rubber bushing trailing link      **T4: 120 (12.2, 88.5)**
- (6) Snap pin      (13) Flange bolt
- (7) Adjusting washer      (14) Trailing link ASSY rear

**2. REAR SHOCK ABSORBER**



- (1) Flange nut
  - (2) Self-locking nut
  - (3) Mount shock absorber rear
  - (4) Dust cover rear
  - (5) Helper rear
  - (6) Coil spring rear
  - (7) Shock absorber COMPL rear
- Tightening torque: N·m (kgf·m, ft·lb)**
- T1: 25 (2.5, 18.4)**
  - T2: 30 (3.1, 22.1)**