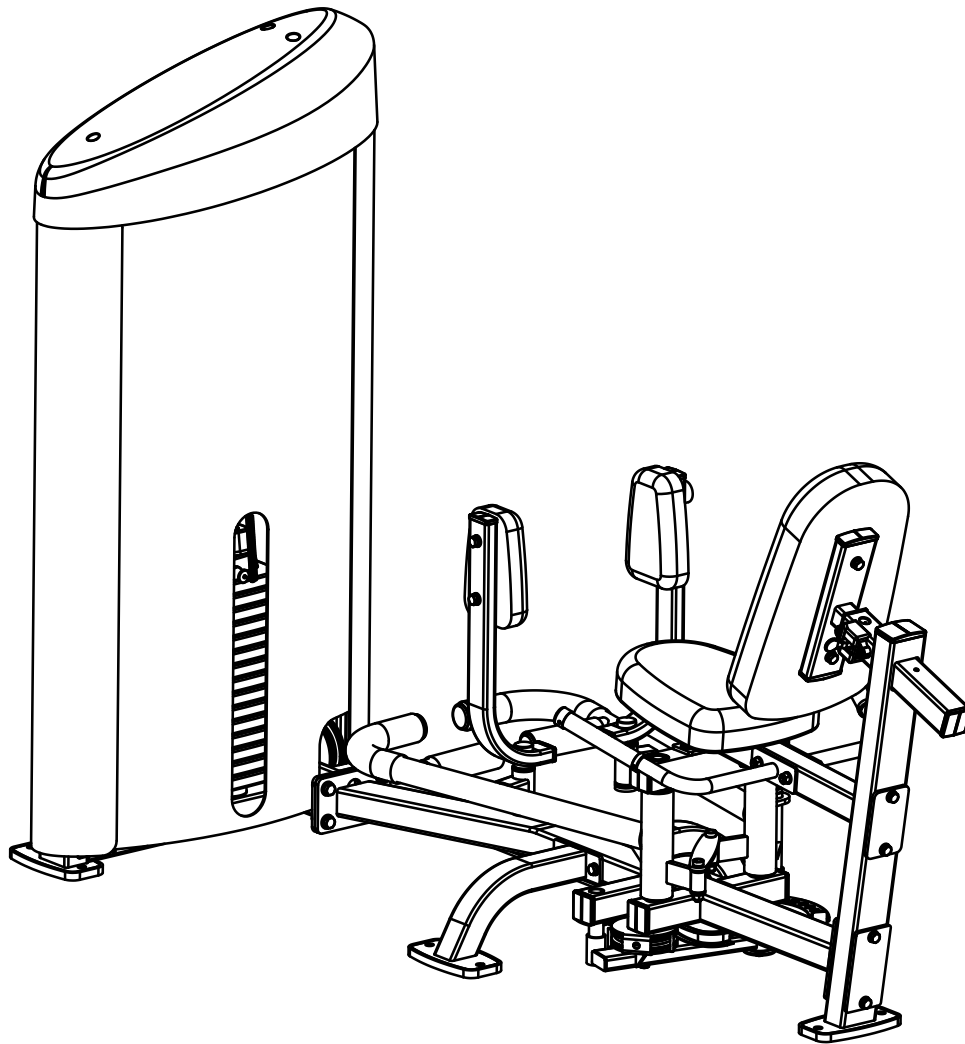


Body-Solid®

Built for Life



S210T

Assembly & Instructions
OWNER'S & MANUAL

v. S210T-091012

Warning, Safety & Maintenance

Be sure that all users carefully read and understand all warning, safety and maintenance labels on the machine before each use. Failure to do so may result in death or serious injury.

It is imperative that you retain this Owner's Manual and be sure all warning labels are legible and intact. Replacement Owner's Manuals and warning labels are available from your local Body-Solid dealer.

If you have any questions about the operation, set up or maintenance of this machine please call our customer service department at 1 (800) 556-3113.

THERE IS A RISK ASSUMED BY INDIVIDUALS WHO USE THIS TYPE OF EQUIPMENT. TO MINIMIZE RISK, YOU MUST FOLLOW THESE RULES:

1. Inspect equipment before each workout. Check that all nuts, bolts, screws and pop pins are in place and fully tightened. Also, before use, check cables for signs of wear. Replace all worn parts immediately. Never use machine if any parts are damaged or missing. **FAILURE TO FOLLOW THESE RULES MAY RESULT IN SERIOUS INJURY.**
2. Keep clear of the cables and all moving parts when the machine is in use.
3. Always make sure all Snap Links are closed when doing any cable/pulley/strap exercises.
4. Exercise with care. Perform your exercises at a smooth moderate pace; never perform jerky or uncoordinated movements that may cause injury.
5. It is recommended that you should workout with a training partner.
6. Do not allow children or minors to play on or around this equipment.
7. If unsure of proper use of equipment, call your local Body-Solid distributor or the Body-Solid customer service department at 1-800-556-3113.
8. **WARNING:** Consult your physician before starting your exercise program. For your own safety, do not begin any exercise program without proper instruction. RAL8-6-03 WC-54

WARNING

Safety and Maintenance of Cables

IMPORTANT: Cables are wear items. It is your responsibility to prevent unexpected breakage. **Cable inspection should be performed daily.** Inspect all cables, the nylon coating on all cables, and the area near the fitting at each end of each cable. **Replace any damaged or worn cable immediately.** Do not allow the machine to be used until damaged or worn cables are replaced. Using or allowing a machine to be used with a suspect cable can result in serious injury. See Owner's Manual for more information.

For Body-Solid Customer Service
Call 1-800-556-3113

MAINTENANCE SCHEDULE		D A I L Y	W E E K L Y
Check the function and integrity of the following components. As noted, inspect equipment before each workout. Replace all damaged, broken or worn components immediately.			
Cables:	Check tension, end fittings, and coating	✓	
	Check that locking nut at weight stack is tight		✓
Upholstery:	Wipe down and dry	✓	
	Clean and condition		✓
Frame:	Wipe down and dry	✓	
	Polish / Wax		✓
Chrome:	Wipe down and dry	✓	
	Polish / Lubricate		✓
Nuts / Bolts / Fasteners:	Tighten and / or adjust as needed		✓
Guide Rods:	Lubricate and clean		✓
Linear Rods:	Lubricate and clean		✓
Seat Sleeves:	Lubricate and clean		✓
Adjustments / Locking Pins / Tightening Knobs			✓
Weight Stack Pins			✓
Warning Instruction Labels			✓
Springs / Pop Pins		✓	
Anti Skid Surfaces			✓
Hand Grips / Rollers			✓

For Body-Solid Customer Service
Call 1-800-556-3113
#MSSTKR0803

Table of Contents

- SAFETY INSTRUCTIONS..... PAGE 4
- PREPARATION..... PAGE 5
- HARDWARE LIST..... PAGE 6
- HARDWARE ILLUSTRATION..... PAGE 8
- PART / LIST ILLUSTRATION..... PAGE 14
- ASSEMBLY INSTRUCTIONS..... PAGE 20
- EXPLODED VIEW..... PAGE 37
- CONTACT PAGE..... PAGE 38

Important Safety Instructions

Before beginning any fitness program, you should obtain a complete physical examination from your physician.

*Il est conseillé de subir un examen médical complet avant d'entreprendre tout programme d'exercice.
Si vous avez des étourdissements ou des faiblesses, arrêtez les exercices immédiatement.*

Antes de comenzar cualquier programa de ejercicios, deberías tener un examen físico con su doctor.

When using exercise equipment, you should always take basic precautions, including the following:

- Read all instructions before using the **S2IOT**. These instructions are written to ensure your safety and to protect the unit.
- **Do not remove any safety labels from the machine.**
- Do not allow children on or near the equipment.
- Use the equipment only for its intended purpose as described in this guide. Do not use accessory attachments that are not recommended by the manufacturer. Such attachments might cause injuries.
- Wear proper exercise clothing and shoes for your workout, no loose clothing.
- Keep hands, limbs, loose clothing, and long hair well out of the way of all moving parts.
- Use care when getting on or off the unit.
- Do not overexert yourself or work to exhaustion.
- If you feel any pain or abnormal symptoms, stop your workout immediately and consult your physician.
- Never operate unit when it has been dropped or damaged. Return the equipment to a service center for examination and repair.
- Never drop or insert objects into any opening in the equipment.
- Always check the unit and its cables before each use. Make sure that all fasteners and cables are secure and in good working condition.
- Do not use the equipment outdoors or near water.

Personal Safety During Assembly

- Before beginning assembly, please take the time to read the instructions thoroughly.
- Read each step in the assembly instructions and follow the steps in sequence. Do not skip ahead. If you skip ahead, you may learn later that you have to disassemble components and that you may have damaged the equipment.
- Assemble and operate the **S2IOT** on a solid, level surface. Locate the unit a few feet from the walls or furniture to provide easy access.

The **S2IOT** is designed for your enjoyment. By following these precautions and using common sense, you will have many safe and pleasurable hours of healthful exercise with your Body-Solid Inner/Out Thigh Machine.

After assembly, you should check all functions to ensure correct operation. If you experience problems, first recheck the assembly instructions to locate any possible errors made during assembly. If you are unable to correct the problem, call the dealer from whom you purchased the machine or call **1-800-556-3113** for the dealer nearest you.

Obtaining Service

Please use this Owner's Manual to make sure that all parts have been included in your shipment. When ordering parts, you must use the part number and description from this Owner's Manual. Use only Body-Solid replacement parts when servicing this machine. Failure to do so will void your warranty and could result in personal injury.

For information about product operation or service, check out the official Body-Solid website at www.bodysolid.com or contact an authorized Body-Solid dealer or a Body-Solid factory-authorized service company or contact Body-Solid customer service at one of the following:

Toll Free: 1-800-556-3113
Phone: 1-708-427-3555
Fax: 1-708-427-3556
Hours: M-F 8:30-5:00 CST
E-Mail: service@bodysolid.com

Or write to: Body-Solid, Inc.
Service Department
1900 S. Des Plaines Ave.
Forest Park, IL 60130 USA

Retain this Owner's Manual for future reference. If you need to order replacement parts please be prepared to provide the following information when contacting us so that we can assist you better.

- 1. Model Number**
- 2. Place of Purchase**
- 3. Serial Number (S/N)**
- 4. Part # and Description**

Preparation

Thank you for purchasing the **S2IOT**. This bench is part of the Body-Solid line of quality strength training machines, which lets you target specific muscle groups to achieve better muscle tone and overall body conditioning. To maximize your use of the equipment please study this Owner's Manual thoroughly.

Required Tools

The basic tools that you must obtain before assembling the **S2IOT** include but are not limited to:

- Metric Allen Key Set
- Standard Allen Key Set
- Standard Wrench Set
- Metric Wrench Set
- Adjustable Wrench
- Screwdriver (standard and/or phillips)

Installation Requirements

Follow these installation requirements when assembling the **S2IOT**:

Set up the **S2IOT** on a solid, flat surface. A smooth, flat surface under the machine helps keep it level. A level machine has fewer malfunctions.

Provide ample space around the machine. Open space around the machine allows for easier access.

Insert all bolts in the same direction. For aesthetic purposes, insert all bolts in the same direction unless specified (in text or illustrations) to do otherwise.

Leave room for adjustments. Tighten fasteners such as bolts, nuts, and screws so the unit is stable, but leave room for adjustments. Do not fully tighten fasteners until instructed in the assembly steps to do so.

Fill out and mail the warranty card.

Assembly Tips

Read all "Notes" on each page before beginning each step.

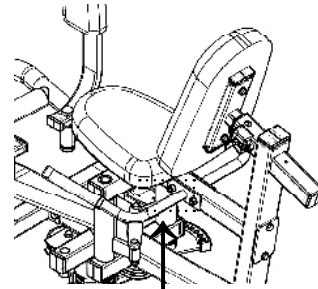
While you may be able to assemble the **S2IOT** using the illustrations only, important safety notes and other tips are included in the text.

Some pieces may have extra holes that you will not use. Use only those holes indicated in the instructions and illustrations.

NOTE: With so many assembled parts, proper alignment and adjustment is critical. While tightening the nuts and bolts, be sure to leave room for adjustments.

NOTE: The bottles that are marked "Poison" is your touch up paint. Keep away from children.

CAUTION: Obtain assistance! If you feel like you can't assemble the **S2IOT** by yourself then do not attempt to do so as this could result in injury. Review the installation requirements before proceeding with the following steps.



Your S/N# can
be found here

Body-Solid continually seeks ways to improve the performance, specifications and product manuals in order to ensure that only superior products are released from our factories. Please take the time to carefully read through this manual thoroughly. Instructions contained in this document are not intended to cover all details or variations possible with Body-Solid equipment, or to cover every contingency that may be met in conjunction with installation, operation, maintenance or troubleshooting of the equipment. Even though we have prepared this manual with extreme care, neither the publisher nor the author can accept responsibility for any errors in, or omission from, the information given. Should additional information be required, or should situations arise that are not covered by this manual, the matter should be directed to your local Body-Solid representative, or the Service Department at Body-Solid Inc. in Forest Park, Illinois.

S 2 I O T Hardware List

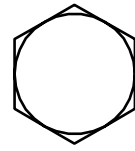
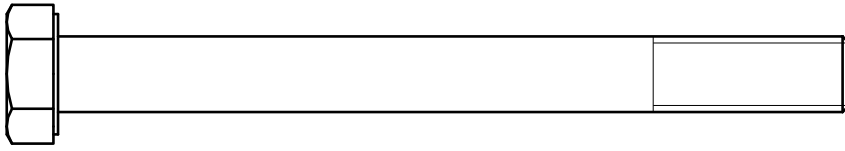
Part#	Size	Description	Quantity
1	M10X105mm	HEX HEAD BOLT	2 PCS.
2	M10X35mm	HEX HEAD BOLT	1 PCS.
3	M10X45mm	HEX HEAD BOLT	3 PCS.
4	M10X50mm	HEX HEAD BOLT	6 PCS.
5	M10X75mm	HEX HEAD BOLT	5 PCS.
6	M10X80mm	HEX HEAD BOLT	6 PCS.
7	M12X35mm	HEX HEAD BOLT	4 PCS.
8	M10X25mm	HEX HEAD BOLT	5 PCS.
9	M4X15mm	SOCKET HEAD CAP SCREW	1 PCS.
10	M8X20mm	SOCKET HEAD CAP SCREW	1 PCS.
11	M4X8mm	SET SCREW	1 PCS.
12	M8X8mm	SET SCREW	4 PCS.
13	M6X16mm	PHILLIPS HEAD SCREW	3 PCS.
14	M4X10mm	FLAT PHILLIPS HEAD SCREW	4 PCS.
15	M5X16mm	FLAT PHILLIPS HEAD SCREW	2 PCS.
16	M10X50mm	BUTTON HEAD CAP SCREW	1 PCS.
17	M6X40mm	BUTTON HEAD CAP SCREW	1 PCS.
18	M8X25mm	BUTTON HEAD CAP SCREW	4 PCS.
19	10-32X3.2mm	SET SCREW	8 PCS.
20	M10X25mm	FLAT HEAD CAP SCREW	2 PCS.
21	3/8"X2.0"	SOCKET HEAD CAP SCREW	1 PCS.
40	1/2"-13	HEX NUT	1 PCS.
41	M10	NYLON LOCK NUT	18 PCS.
42	M12	NYLON LOCK NUT	4 PCS.
43	M6	NYLON LOCK NUT	1 PCS.

S 2 1 0 T H a r d w a r e L i s t

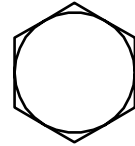
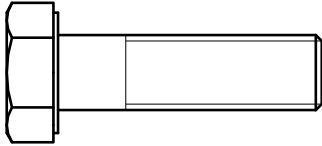
Part#	Size	Description	Quantity
44	M8	NYLON LOCK NUT	4 PCS.
51	Φ10mm	SPRING WASHER	7 PCS.
52	Φ11XΦ20X2mm	FLAT WASHER	41 PCS.
53	Φ13XΦ24X2.5mm	FLAT WASHER	8 PCS.
54	Φ6.6XΦ12X1.6mm	FLAT WASHER	4 PCS.
55	Φ9XΦ16X1.6mm	FLAT WASHER	8 PCS.
57	1/2"	SPRING WASHER	1 PCS.
58	3/8"	SPRING WASHER	1 PCS.

S210T Hardware Illustration

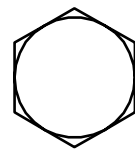
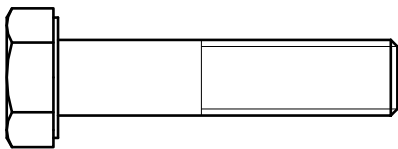
Part #1 HEX HEAD BOLT M10X105mm QTY. 2



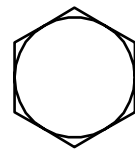
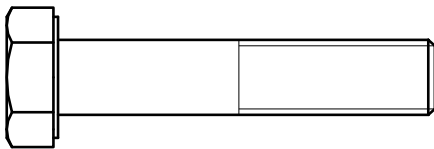
Part #2 HEX HEAD BOLT M10X35mm QTY. 1



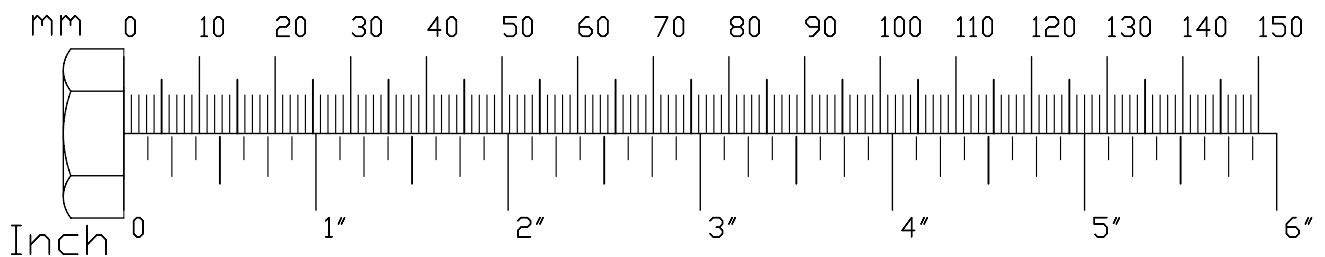
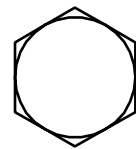
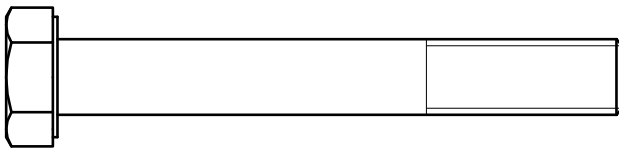
Part #3 HEX HEAD BOLT M10X45mm QTY. 3



Part #4 HEX HEAD BOLT M10X50mm QTY. 6



Part #5 HEX HEAD BOLT M10X75mm QTY. 5

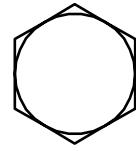
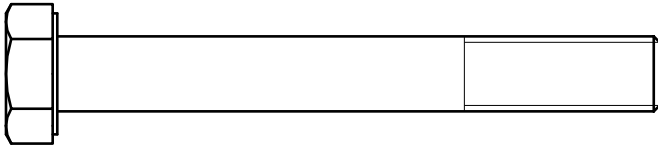


S 2 1 0 T Hardware Illustration

Part #6

HEX HEAD BOLT M10X80mm

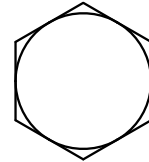
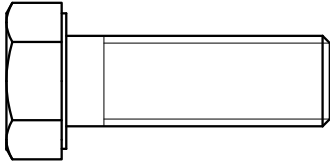
QTY. 6



Part #7

HEX HEAD BOLT M12X35mm

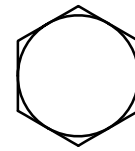
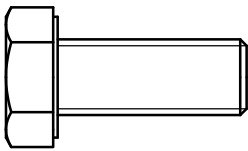
QTY. 4



Part #8

HEX HEAD BOLT M10X25mm

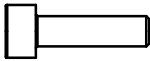
QTY. 5



Part #9

SOCKET HEAD CAP SCREW M4X15mm

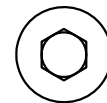
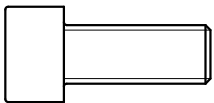
QTY. 1



Part #10

SOCKET HEAD CAP SCREW M8X20mm

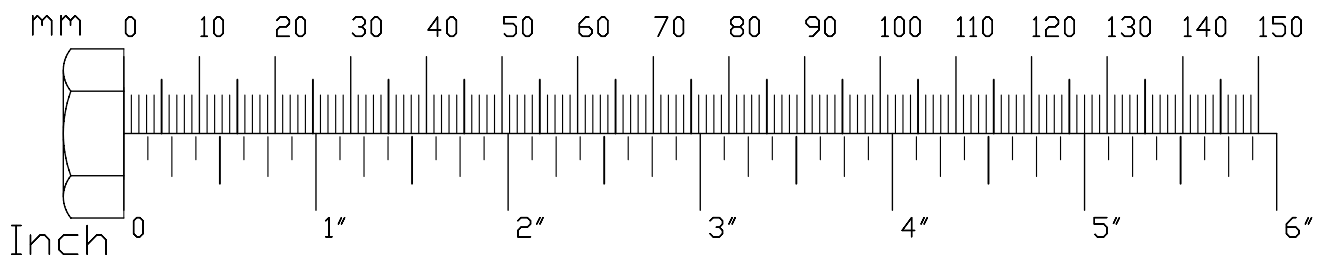
QTY. 1



Part #11

SET SCREW M4X8mm

QTY. 1

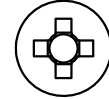
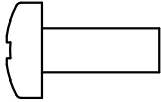


S210T Hardware Illustration

Part #12 SET SCREW M8X8mm QTY. 4



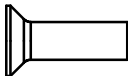
Part #13 PHILLIPS HEAD SCREW M6X16mm QTY. 3



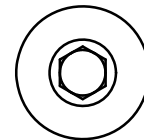
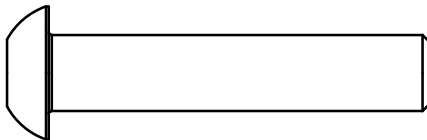
Part #14 FLAT PHILLIPS HEAD SCREW M4X10mm QTY. 4



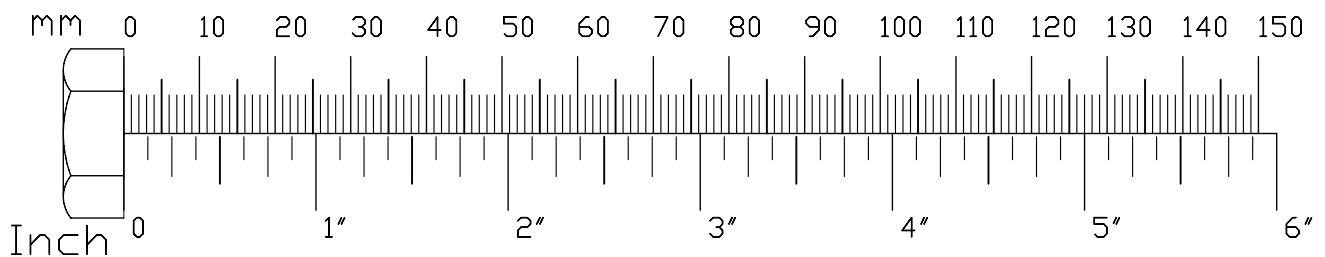
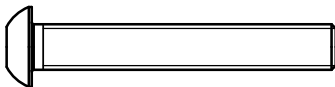
Part #15 FLAT PHILLIPS HEAD SCREW M5X16mm QTY. 2



Part #16 BUTTON HEAD CAP SCREW M10X50mm QTY. 1

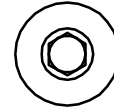
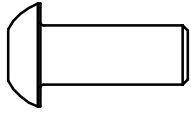


Part #17 BUTTON HEAD CAP SCREW M6X40mm QTY. 1



S210T Hardware Illustration

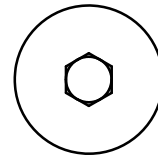
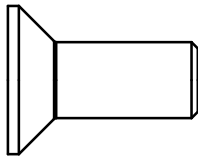
Part #18 BUTTON HEAD CAP SCREW M8X25mm QTY. 4



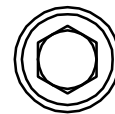
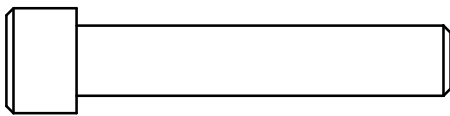
Part #19 SET SCREW 10-32X1/8" QTY. 8



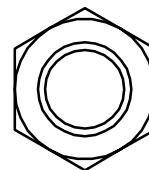
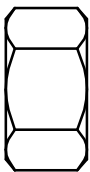
Part #20 FLAT HEAD CAP SCREW M10X25mm QTY. 2



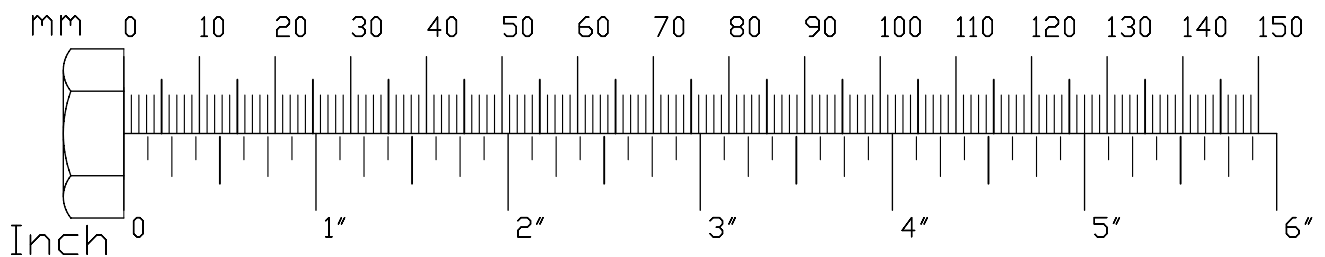
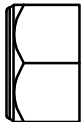
Part #21 SOCKET HEAD CAP SCREW M10X25mm QTY. 1



Part #40 HEX NUT 1/2"-13 QTY. 4



Part #41 NYLON LOCK NUT M10 QTY. 18

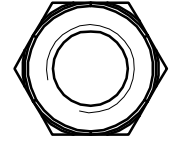
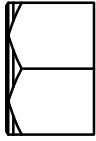


S210T Hardware Illustration

Part #42

NYLON LOCK NUT M12

QTY. 4



Part #43

NYLON LOCK NUT M6

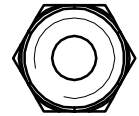
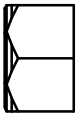
QTY. 1



Part #44

NYLON LOCK NUT M8

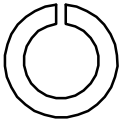
QTY. 4



Part #51

SPRING WASHER $\phi 10\text{mm}$

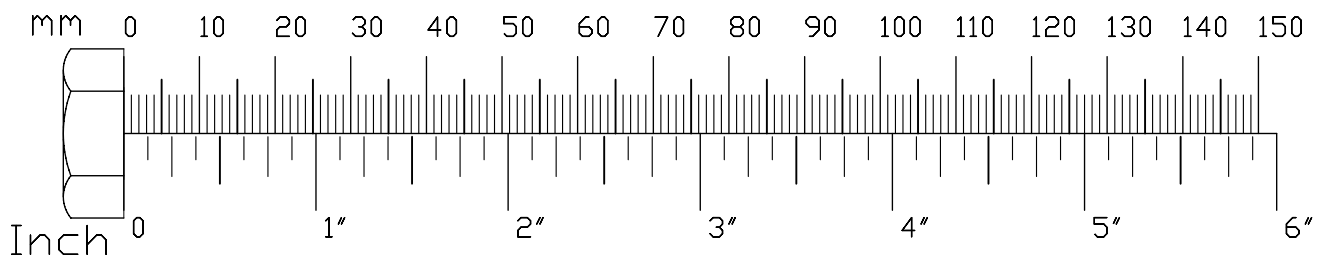
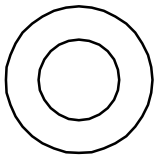
QTY. 7



Part #52

FLAT WASHER $\phi 11 \times \phi 20 \times 2\text{mm}$

QTY. 41

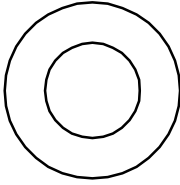


S 2 I O T Hardware Illustration

Part #53

FLAT WASHER $\phi 13 \times \phi 24 \times 2.5 \text{mm}$

QTY. 8



Part #54

FLAT WASHER $\phi 6.6 \times \phi 12 \times 1.6 \text{mm}$

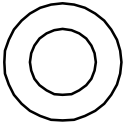
QTY. 3



Part #55

FLAT WASHER $\phi 9 \times \phi 16 \times 1.6 \text{mm}$

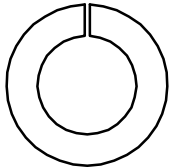
QTY. 8



Part #57

SPRING WASHER 1/2"

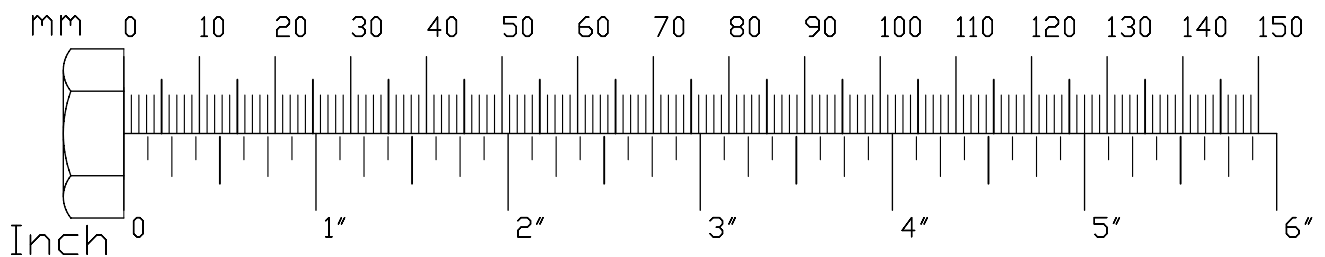
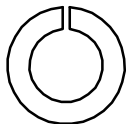
QTY. 8



Part #58

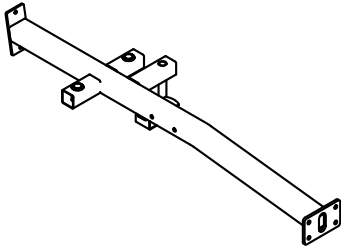
SPRING WASHER 3/8"

QTY. 8

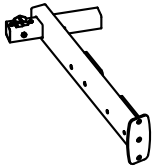


S210T Parts List/Illustration

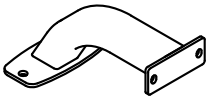
PART A -- **FRAME A**, 1 PCS



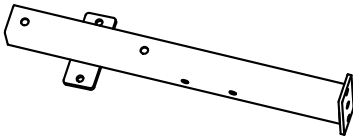
PART B -- **FRAME B**, 1 PCS



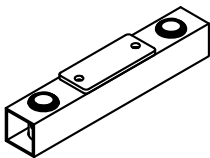
PART C -- **FOOT FRAME**, 2 PCS



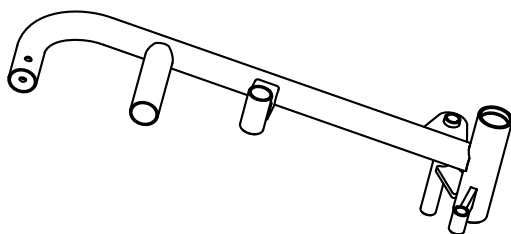
PART D -- **FRAME D**, 1 PCS



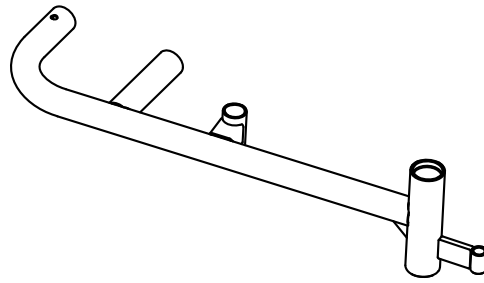
PART E -- **FRAME E**, 1 PCS



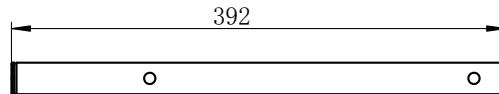
PART F -- **FRAME F**, 1 PCS



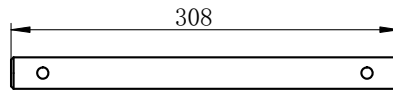
PART G -- **FRAME G**, 1 PCS



PART H -- **LONG PIVOT SHAFT**, 1 PCS



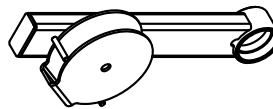
PART J -- **SHORT PIVOT SHAFT**, 1 PCS



PART K -- **CAM**, 1 PCS



PART L -- **FRAME L**, 1 PCS

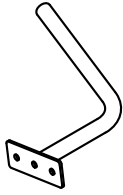


PART M -- **THIGH FRAME**, 2 PCS



S210T Parts List/Illustration

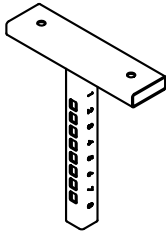
PART N -- RIGHT HANDLE BAR, 1 PCS



PART WB -- SHORT METAL SHROUD, 1 PCS



PART P -- BACK SEAT FRAME P, 1 PCS



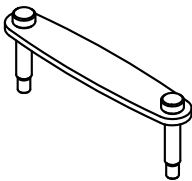
PART WC -- LONG METAL SHROUD, 1 PCS



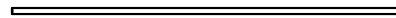
PART Q -- LEFT HANDLE BAR, 1 PCS



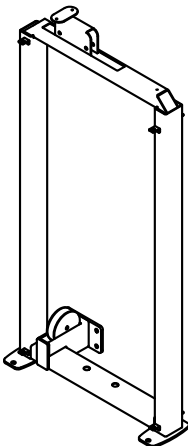
PART R -- BRACKET, 1 PCS



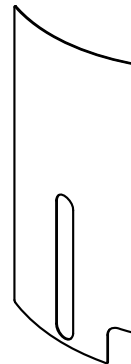
PART WD -- CHROME GUIDE ROD, 2 PCS
Ø19X1229mm



PART WA -- WEIGHT STACK FRAME, 1 PCS



PART WE -- FRONT SHROUD, 1 PCS



S210T Parts List/illustration

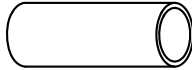
PART #60 -- **PLASTIC END CAP**, 4 PCS
Ø25mm



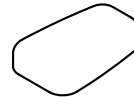
PART #67 -- **POP PIN**, 1 PCS



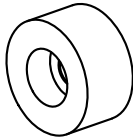
PART #62 -- **SLEEVE**, 4 PCS
Ø50X145mm



PART #68 -- **THIGH PAD**, 2 PCS

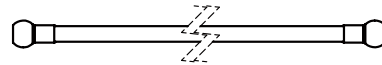


PART #63 -- **RUBBER BUMPER**, 1 PCS
Ø38mm

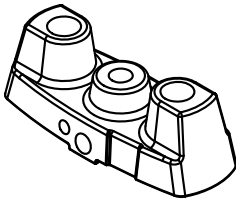


PART #69 -- **CABLE**, 1 PCS

3620mm



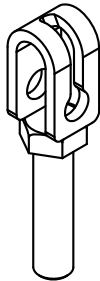
PART #64 -- **TOP PLATE**, 1 PCS



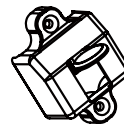
PART #70 -- **ADJUSTMENT PLATE**, 1 PCS



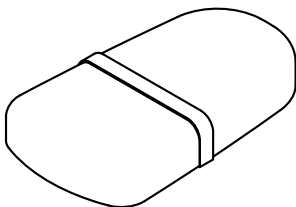
PART #65 -- **SELECTOR ROD TOP BOLT**, 1 PCS



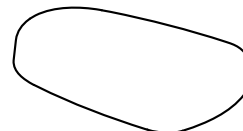
PART #71 -- **ADJUSTMENT LEVER**, 1 PCS



PART #66 -- **BACK PAD**, 1 PCS

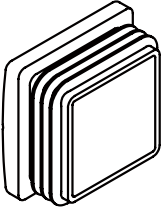


PART #72 -- **SEAT PAD**, 1 PCS

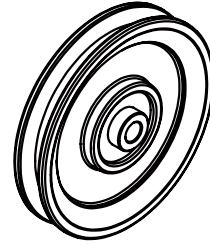


S210T Parts List/Illustration

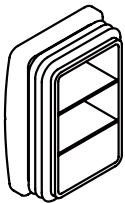
PART #87 -- **BACK PAD**, 7 PCS
50X50mm



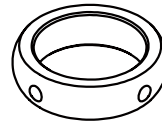
PART #92 -- **4.5" PULLEY**, 5 PCS



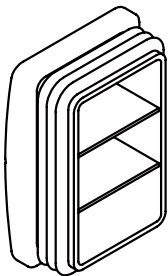
PART #88 -- **PLASTIC END CAP**, 2 PCS
25X76mm



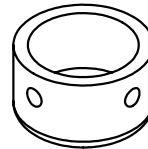
PART #93 -- **HANDLE RING**, 2 PCS



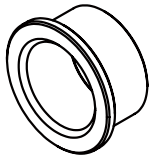
PART #89 -- **PLASTIC END CAP**, 1 PCS
50X50mm



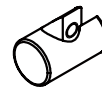
PART #94 -- **HANDLE END CAP**, 2 PCS



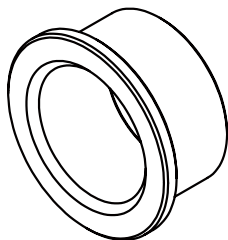
PART #90 -- **BUSHING**, 4 PCS
ø25Xø12.5mm



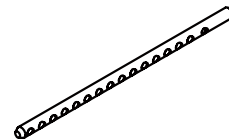
PART #97 -- **CABLE CYLINDER LOCK**, 1 PCS



PART #91 -- **BUSHING**, 4 PCS
ø38Xø25mm



PART #98 -- **SELECTOR ROD**, 1 PCS

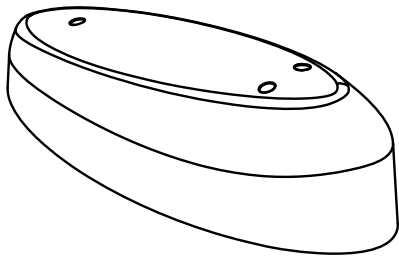


S210T Parts List/Illustration

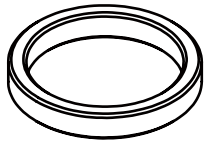
PART WF -- **BACK SHROUD**, 1 PCS



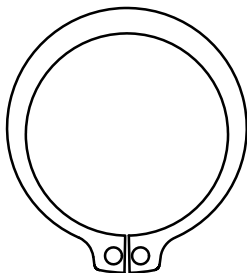
PART WG -- **TOP SHROUD**, 1 PCS



PART #99 -- **SPACER**, 2 PCS
Ø38mm



PART #100 -- **SNAP RING**, 1 PCS



Notes

STEP**1**

Be careful to assemble all components in the sequence they are presented.

NOTE:

Finger tighten all hardware first in this step. Wrench tighten ALL hardware at the end of **STEP 1D**. Some components may be pre-assembled. Nylon lock nuts will not fully screw onto bolts, they must be wrench tighten to fully go on.

1A. Attach Frame A (**A**) to Weight Stack Frame (**WA**) using:

- 4 - (#7) M12X35mm Hex Head Bolt
- 8 - (#53) 13mmX24mm Flat Washer
- 4 - (#42) M12 Nylon Lock Nut

1B. Attach two Foot Frames (**C**) to Frame A (**A**) using:

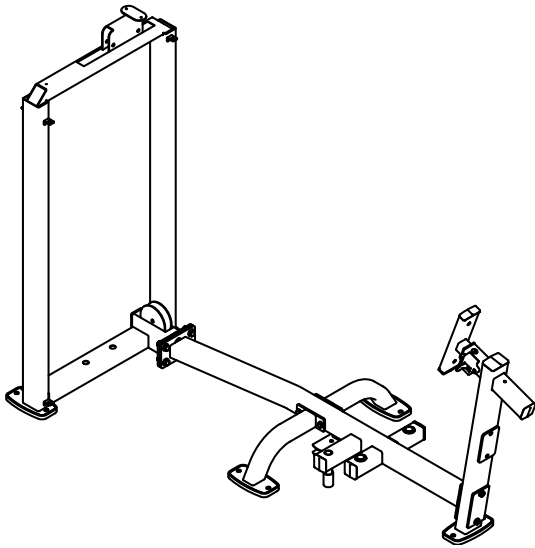
- 2 - (#1) M10X105mm Hex Head Bolt
- 4 - (#52) 11mmX20mm Flat Washer
- 2 - (#41) M10 Nylon Lock Nut

1C. Attach Frames B (**B**) to Frame A (**A**) using:

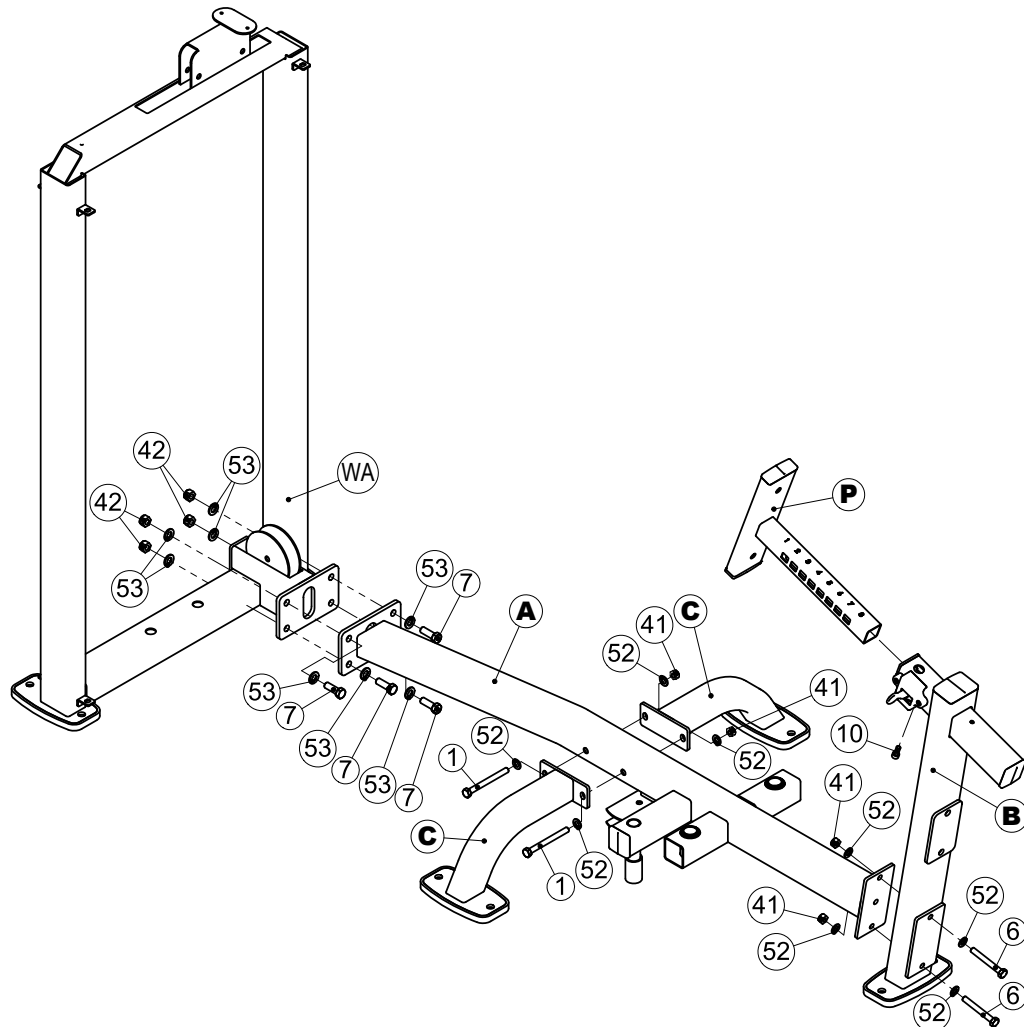
- 2 - (#6) M10X80mm Hex Head Bolt
- 4 - (#52) 11mmX20mm Flat Washer
- 2 - (#41) M10 Nylon Lock Nut

1D. Insert Back Seat Frame (**P**) into Frame (**B**) and screw in the M8X20mm Socket Head Cap Screw (**#10**) at the bottom of Frame (**B**)

Note: M8X20mm Socket Head Cap Screw is pre-assembled on Frame (B)



Above shows Step 1 assembled and completed.



STEP**2**

Be careful to assemble all components in the sequence they are presented.

NOTE:

Finger tighten all hardware first in this step. Wrench tighten ALL hardware at the end of **STEP 2C**. Some components may be pre-assembled. Nylon lock nuts will not fully screw onto bolts, they must be wrench tighten to fully go on.

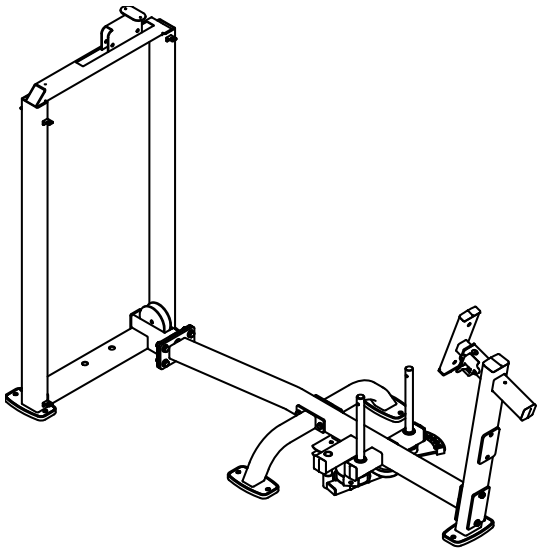
- 2A.** Insert short Shaft Pin (**J**) into Frame A (**A**) and secure it using
 - 1 - (#8) M10X25mm Hex Head Bolt
 - 1 - (#52) 11mmX20mm Flat Washer

- 2B.** Insert long Shaft Pin (**H**) into Frame A (**A**) and secure it using
 - 1 - (#8) M10X25mm Hex Head Bolt
 - 1 - (#52) 11mmX20mm Flat Washer

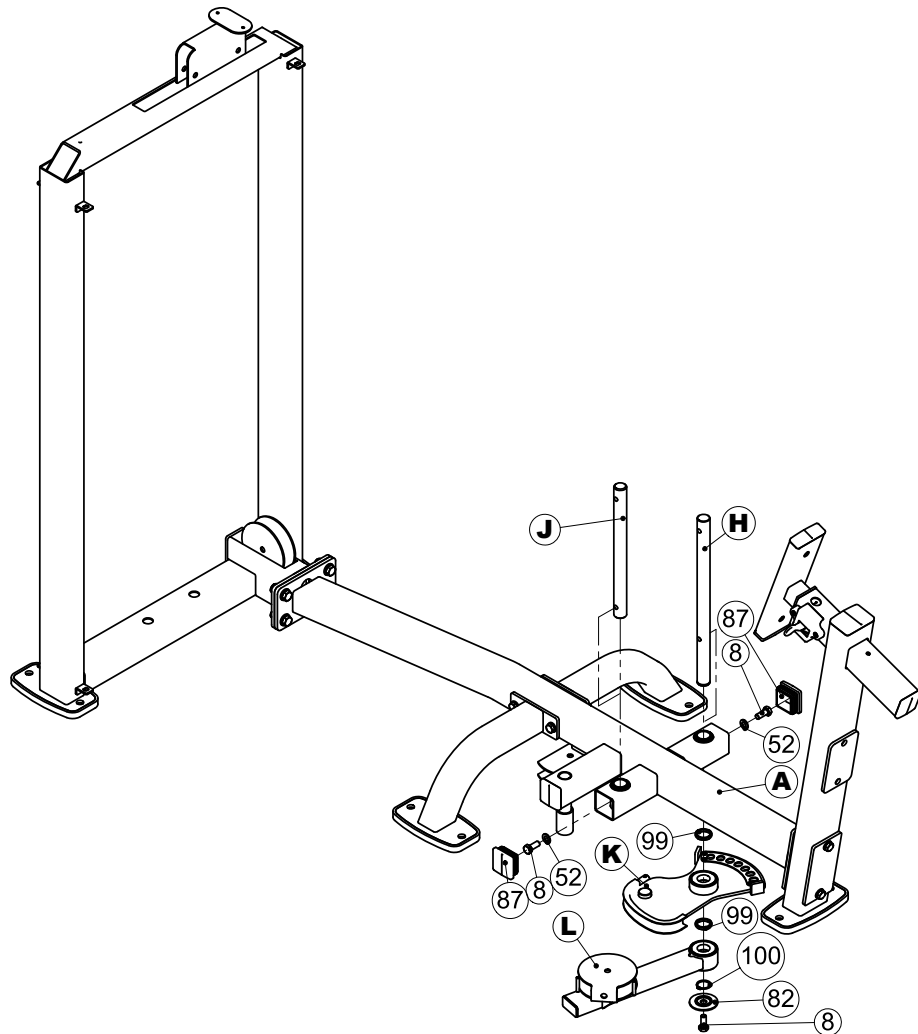
- 2C.** Insert Cam (**K**) and Frame L (**L**) onto Shaft Pin (**H**) in the sequence presented in Step 2 Drawing using:
 - 2 - (#99) 32mm Bushing Ring
 - 1 - (#8) M10X25mm Hex Head Bolt
 - 1 - (#100) Snap Ring
 - 1 - (#82) End Cap

Note: Please be careful when you may need to lift up Frame A to wrench tighten M10X25mm Hex Head Bolt (#8)

- 2D.** Insert two Plastic End Caps (#87) onto Frame A (**A**).



Above shows Step 2 assembled and completed.



STEP**3**

Be careful to assemble all components in the sequence they are presented.

NOTE:

Finger tighten all hardware first in this step. Wrench tighten ALL hardware at the end of **STEP 3F**. Some components may be pre-assembled. Nylon lock nuts will not fully screw onto bolts, they must be wrench tighten to fully go on.

3A. Insert Frame G (**G**) onto Short Pivot Shaft (**J**).

3B. Insert Frame F (**F**) onto Long Pivot Shaft (**H**).

Note: The Pop Pin of Frame F (**F**) has to be engaged in the adjustment hole of Cam (**K**)

3C. Connect Frame G (**G**) to Frame F (**F**) using

1 - (**R**) Bracket

1 - (**#52**) 11mmX20mm Flat Washer

1 - (**#41**) M10 Nylon Lock Nut

3D. Attach Frame E (**E**) to Pivot Shafts (**J & H**) using

2 - (**#8**) M10X25mm Hex Head Bolt

2 - (**#52**) 11mmX20mm Flat Washer

3E. Attach Frame D (**D**) to Frame B (**B**) using:

2 - (**#6**) M10X80mm Hex Head Bolt

4 - (**#52**) 11mmX20mm Flat Washer

2 - (**#41**) M10 Nylon Lock Nut

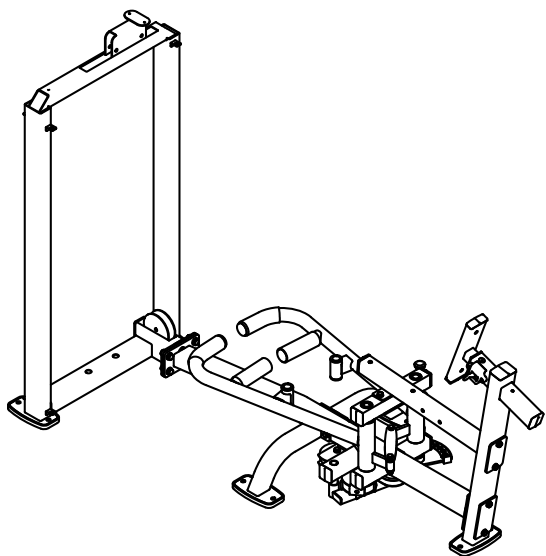
3F. Attach Frame D (**D**) to Frame E (**E**) using:

2 - (**#6**) M10X80mm Hex Head Bolt

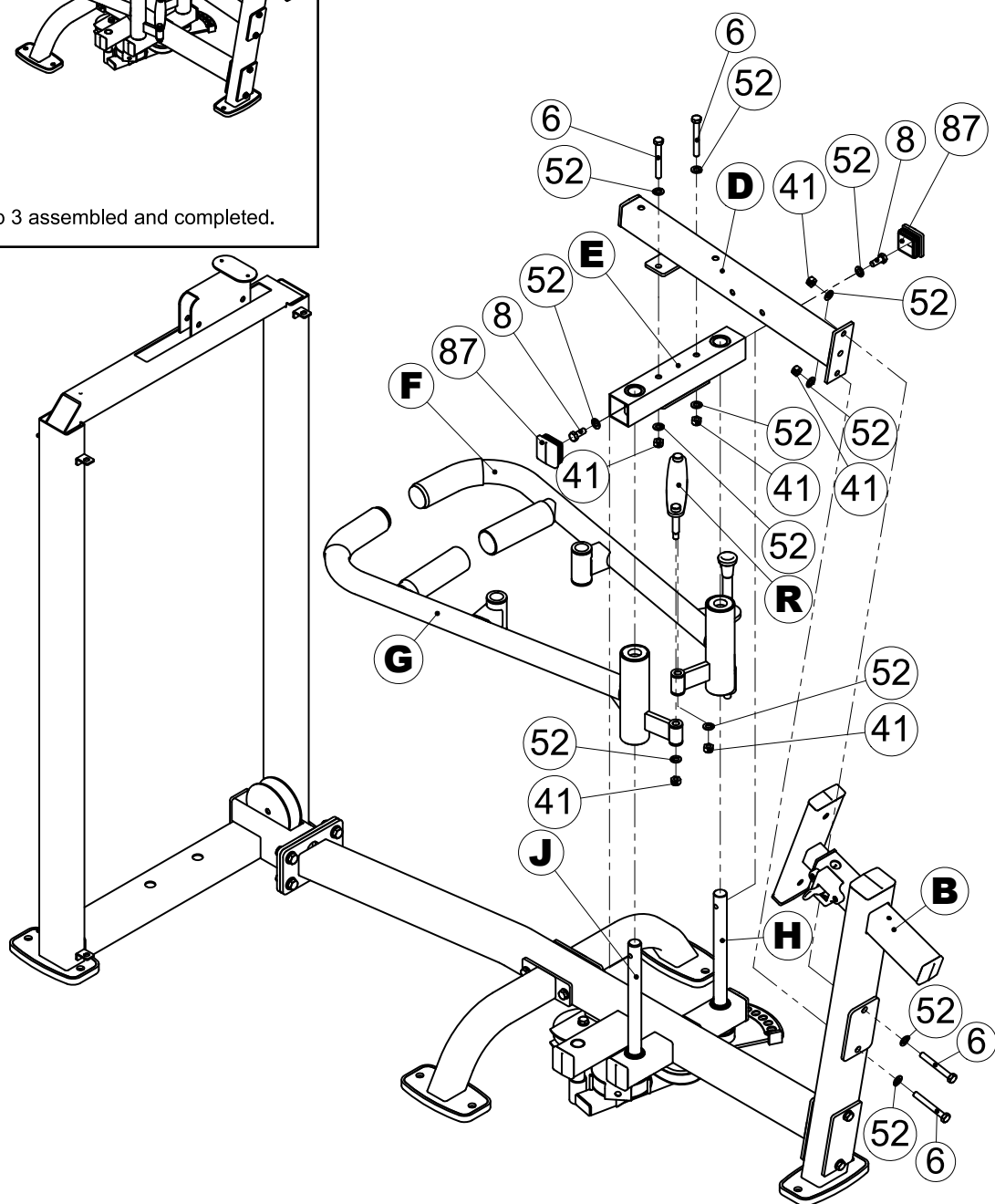
4 - (**#52**) 11mmX20mm Flat Washer

2 - (**#41**) M10 Nylon Lock Nut

3G. Insert two Plastic End Caps (**#87**) onto Frame E (**E**).



Above shows Step 3 assembled and completed.



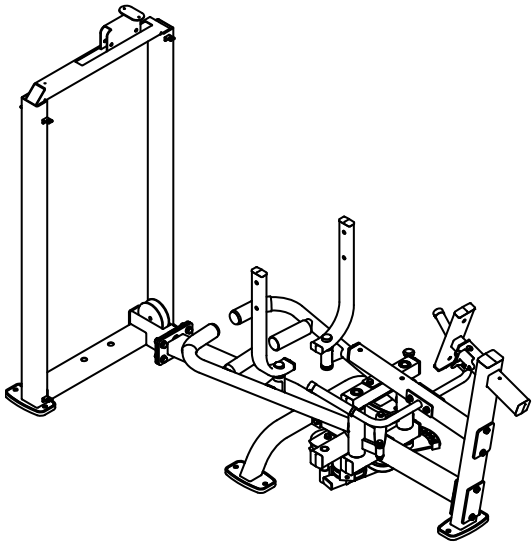
STEP**4**

Be careful to assemble all components in the sequence they are presented.

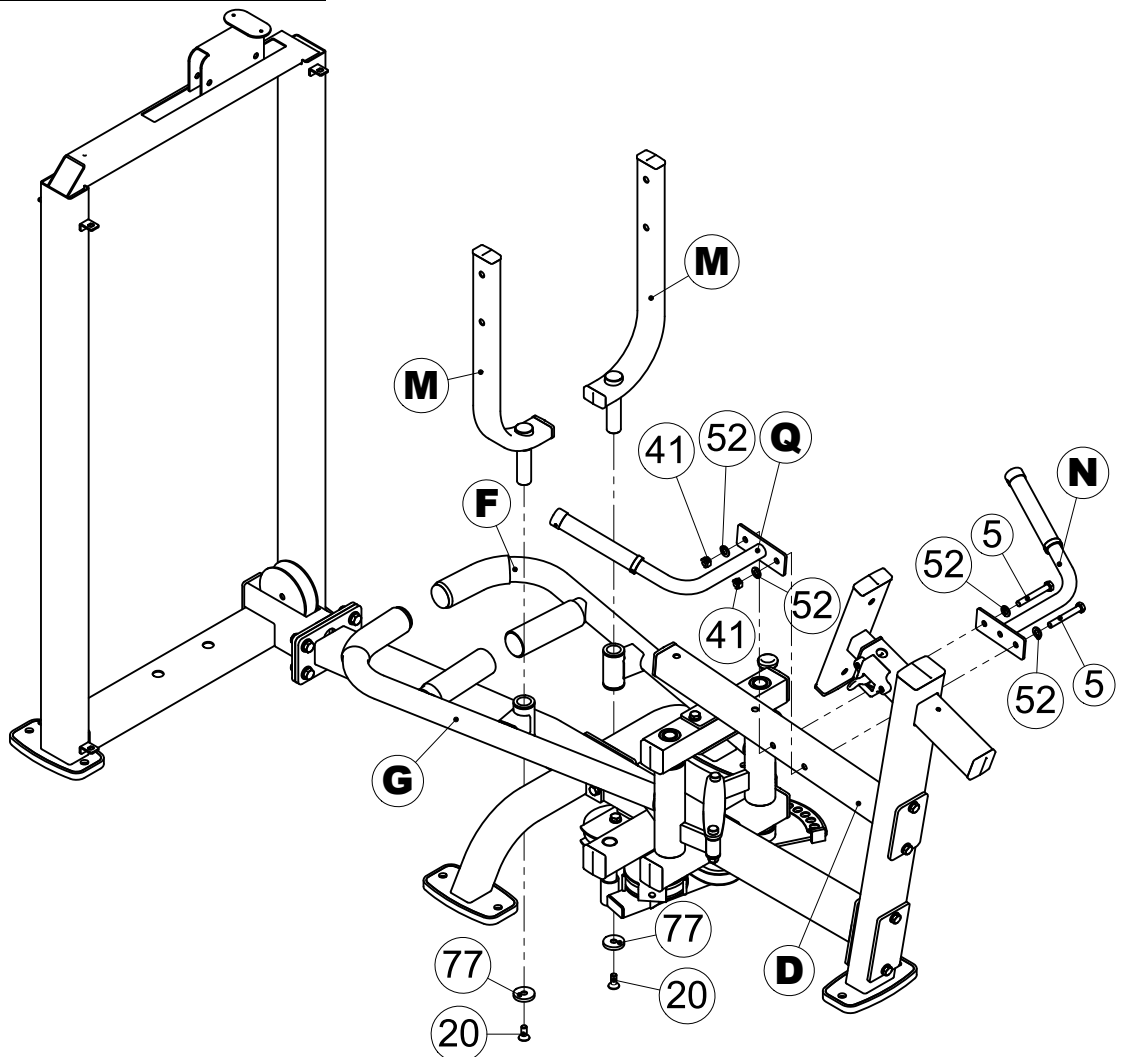
NOTE:

Finger tighten all hardware first in this step. Wrench tighten ALL hardware at the end of **STEP 4B**. Some components may be pre-assembled. Nylon lock nuts will not fully screw onto bolts, they must be wrench tighten to fully go on.

- 4A.** Attach each Thigh Frame (**M**) on Frame G (**G**) & Frame F (**F**) using
2 - (#20) M10X25mm Flat Head Cap Screw
2 - (#77) Ø38mm End Cap
- 4B.** Attach Handle Bars (**Q & N**) on Frame D (**D**) using
2 - (#5) M10X75mm Hex Head Bolt
4 - (#52) 11mmX20mm Flat Washer
2 - (#41) M10 Nylon Lock Nut



Above shows Step 4 assembled and completed.



STEP**5**

Be careful to assemble all components in the sequence they are presented.

NOTE:

Finger tighten all hardware first in this step. Wrench tighten ALL hardware at the end of **STEP 5H**. Some components may be pre-assembled. Nylon lock nuts will not fully screw onto bolts, they must be wrench tighten to fully go on.

5A. Install Chrome Guide Rods (**WD**) into the holes in the Weight Stack Frame (**WA**).

Note: Install the rod ends with side holes into the bottom section of the Weight Stack Frame

5B. Install Rubber Donuts (**#80**) and slide to the bottom of the Guide Rods

5C. Tilt Guide Rods (**WD**) away from the Weight Stack Frame (**WA**) and install 15pcs of weight plates (**#36**). Be careful to hold guide rods steadily when installing weight plates.

Note: Please make sure the grooves of the weight plates are faced down during installation.

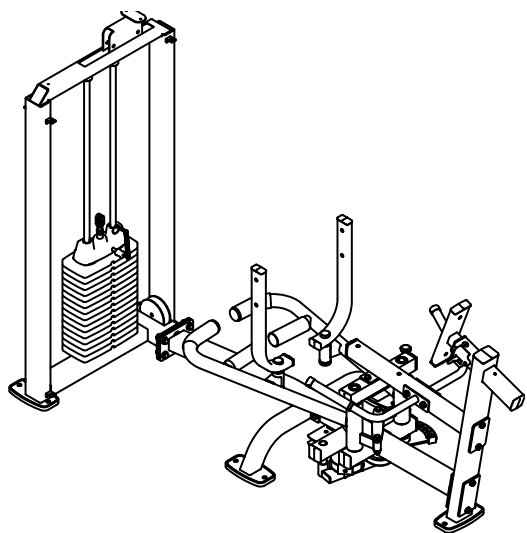
5D. Install Top Plate & Selector Rod Assembly (**#98**) onto the Guide Rods .

5E. Install the Selector Rod Top Bolt (**#65**), the 1/2" Lock Nut (**#40**) and the 1/2" Spring Washer (**#57**).

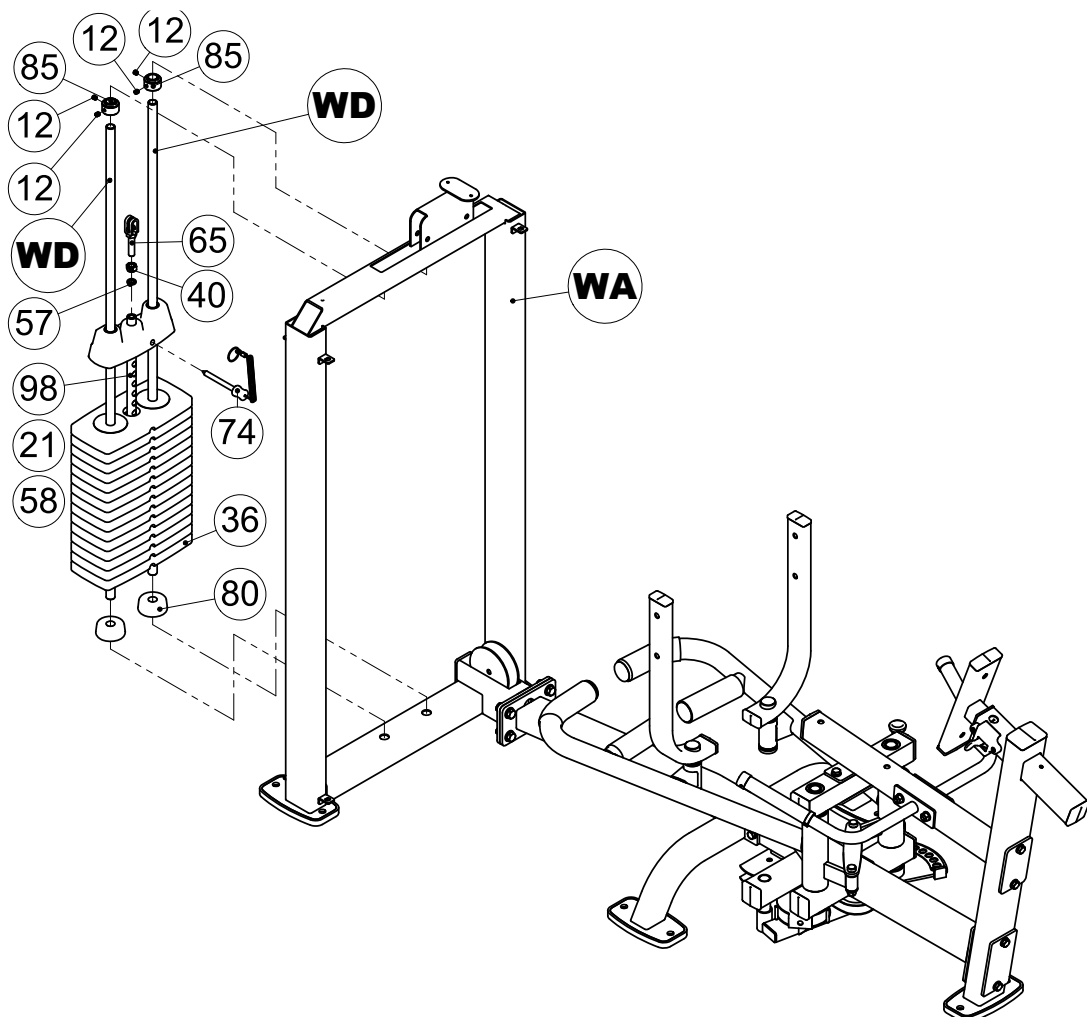
5F. Install Shaft Collars (**#85**) onto the Guide Rods so they are directly below the guide rod holes in the upper section of the Weight Stack Frame.

5G. Slide Shaft Collars (**#85**) upward so they lock the guide rods into position by tightening the Set Screws (**#12**)

5H. Install Weight Stack Pin (**#71**) using the key ring end through the Selector Rod Top Bolt (**#65**).



Above shows Step 5 assembled and completed.



STEP**6**

Be careful to assemble all components in the sequence they are presented.

NOTE:

Finger tighten all hardware first in this step. Wrench tighten ALL hardware at the end of **STEP 6D**. Some components may be pre-assembled. Nylon lock nuts will not fully screw onto bolts, they must be wrench tighten to fully go on.

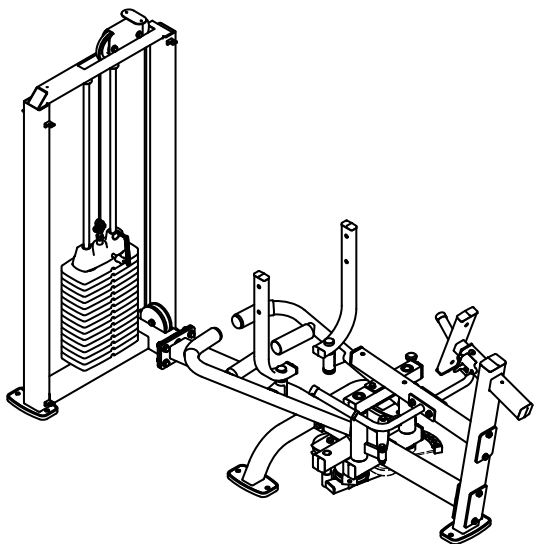
- 6A.** Install Cable (**#69**) by first assembling the ball end into the Selector Rod Top Bolt (**#65**) and attaching the Cable Cylinder Lock (**#97**) over the ball end of the cable. Secure it by tighten in the Set Screw (**#11**)

- 6B.** Install the M10X35mm Hex Head Bolt (**#2**) through the slot hole of the Selector Rod Top Bolt (**#65**) by fastening the M10 Nylon Lock Nut (**#41**).

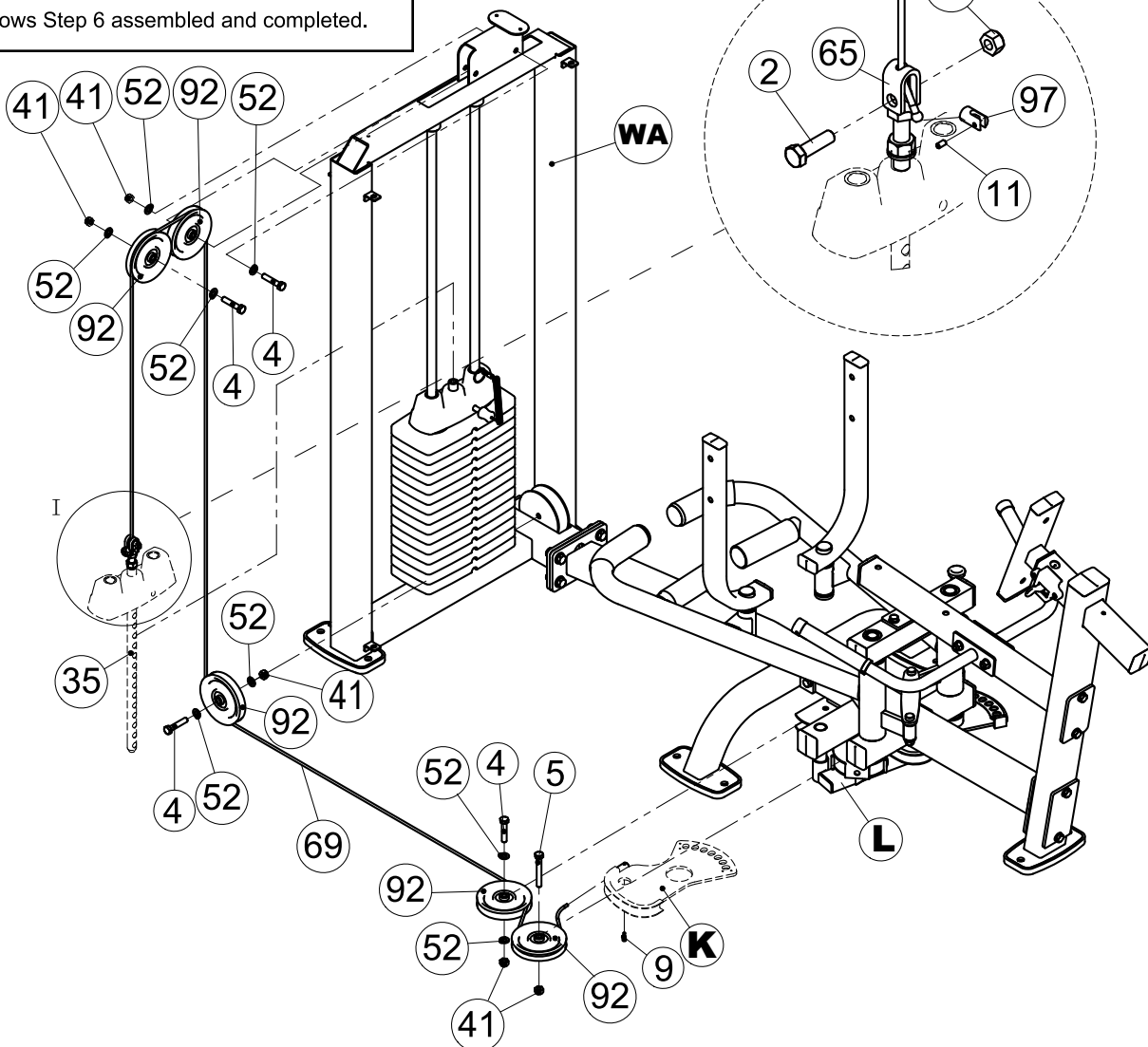
- 6C.** Route Cable (**#69**) while installing five Pulleys (**#92**) into frames as shown in Step 5 Drawing using
 - 4 - (#4) M10X50mm Hex Head Bolt**
 - 1 - (#5) M10X75mm Hex Head Bolt**
 - 8 - (#52) 11mmX20mm Flat Washer**
 - 5 - (#41) M10 Nylon Lock Nut**

- 6D.** Put the end of the Cable (**#69**) through the hole of the Cam (**K**) and screw in the M4X15mm Socket head Cap Screw (**#9**)

Note: M4X15mm Socket Head Cap Screw (**#9**) is pre-assembled on Cam (**K**).



Above shows Step 6 assembled and completed.



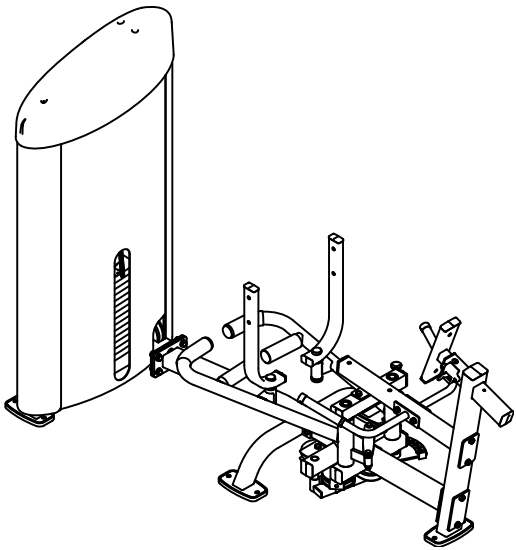
STEP**7**

Be careful to assemble all components in the sequence they are presented.

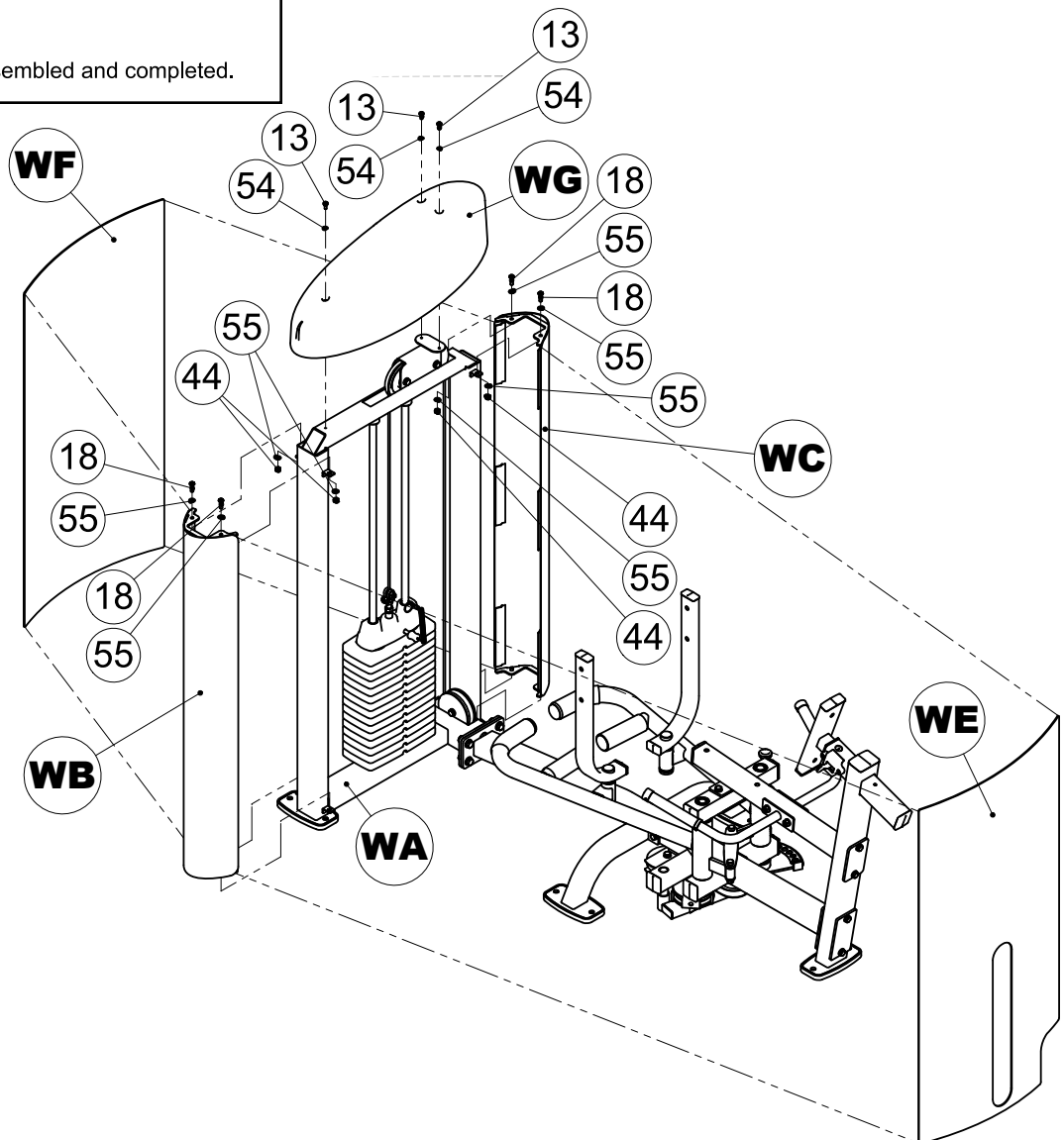
NOTE:

Wrench tighten ALL hardware at the end of Each Step. Some components may be pre-assembled. Nylon lock nuts will not fully screw onto bolts, they must be wrench tighten to fully go on.

- 7A.** Attach Short Metal Shrouds (**WB**) and Long Metal Shrouds (**WC**) to Weight Stack Frame (**WA**) using:
- 4 - (#18) M8X25mm Button Head Cap Screw**
 - 8 - (#55) 9mmX16mm Flat Washer**
 - 4 - (#44) M8 Nylon Lock Nut**
- 7B.** Bend the Plastic Shrouds (**WE & WF**) and insert them to the side slots of the Metal Shrouds (**WB & WC**).
- 7C.** Attach Top Shroud (**WG**) to Weight Stack Frame (**WA**) using:
- 3 - (#13) M6X16mm Phillips Head Screw**
 - 3 - (#54) 6.6mmX12mm Flat Washer**



Above shows Step 6 assembled and completed.



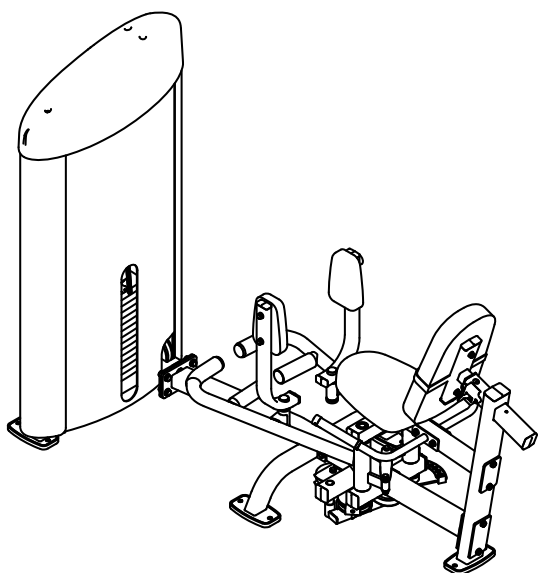
STEP**8**

Be careful to assemble all components in the sequence they are presented.

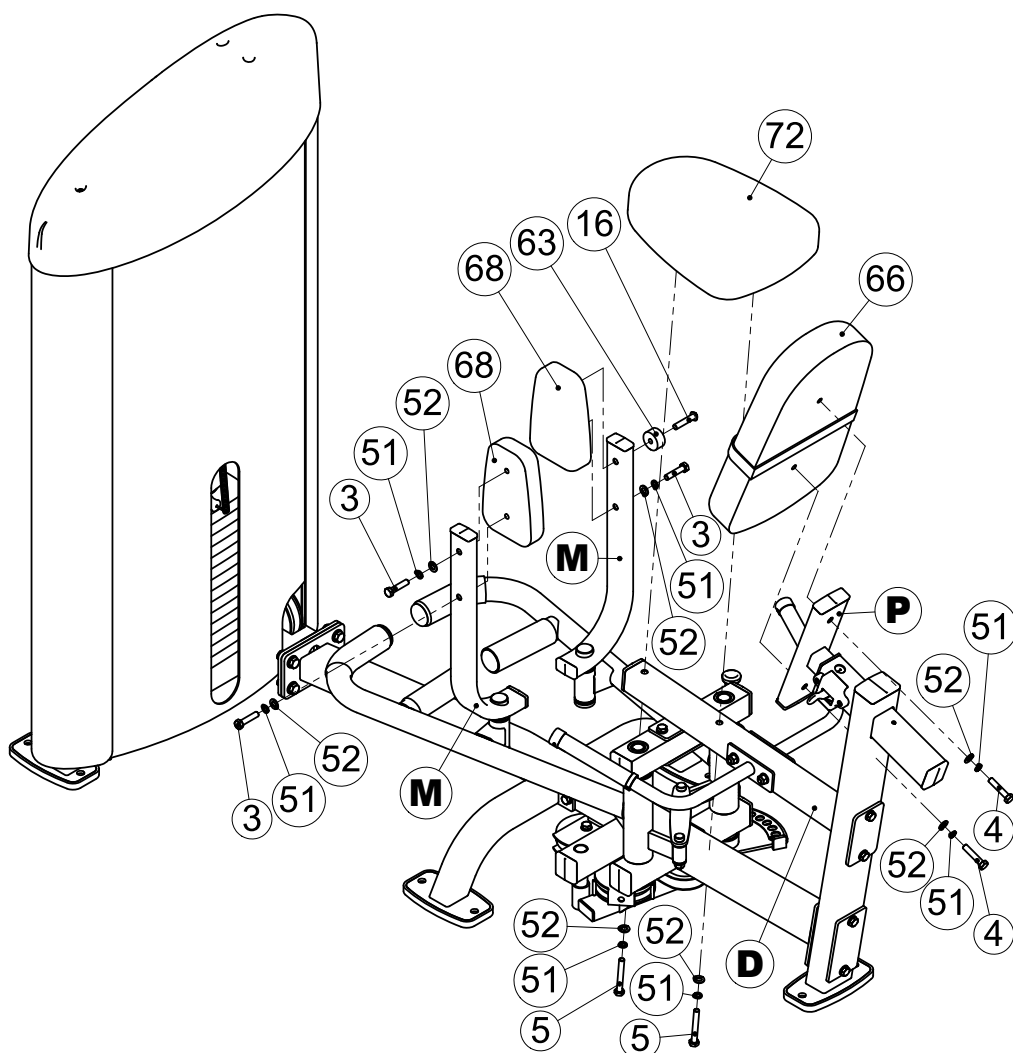
NOTE:

Finger tighten all hardware first in this step. Wrench tighten ALL hardware at the end of **STEP 8D**. Some components may be pre-assembled. Nylon lock nuts will not fully screw onto bolts, they must be wrench tighten to fully go on.

- 8A.** Attach Back Seat Pad (#66) to Back Seat Frame (P) using:
- 2 - (#4) M10X50mm Hex Head Bolt
 - 2 - (#51) 10mm Spring Washer
 - 2 - (#52) 11mmX20mm Flat Washer
- 8B.** Attach Seat Pad (#72) to Frame D (D) using:
- 2 - (#5) M10X75mm Hex Head Bolt
 - 2 - (#51) 10mm Spring Washer
 - 2 - (#52) 11mmX20mm Flat Washer
- 8C.** Attach Thigh Pad (#68) to Thigh Frame (M) on the left using:
- 2 - (#3) M10x45mm Hex Head Bolt
 - 2 - (#51) 10mm Spring Washer
 - 2 - (#52) 11mmX20mm Flat Washer
- 8D.** Attach Thigh Pad (#68) to Thigh Frame (M) on the right using:
- 1 - (#3) M10x45mm Hex Head Bolt
 - 1 - (#16) M10x50mm Button Head Cap Screw
 - 1 - (#51) 10mm Spring Washer
 - 1 - (#52) 11mmX20mm Flat Washer
 - 1 - (#63) Rubber Bumper



Above shows Step 6 assembled and completed.



PCL Badge Location



Body-Solid[®]
Built for Life

S210T

PLEASE WRITE YOUR SERIAL NUMBER IN THE BOXES BELOW

S/N # 008229----

1900 S. Des Plaines Ave.
Forest Park, IL 60130
Phone:(708)427-3555
Fax:(708)427-3556
Hours: M-F 8:30 - 5:00 CST

www.bodysolid.com

Copyright 2009. Body-Solid. All rights reserved. Body-Solid reserves the right to change design and specifications when we feel it will improve the product.
Body-Solid machines maintain several patented and patent pending features and designs. All rights reserved on all design patents and utility patents.