

FILL-RITE DEF™

DF SERIES DEF TRANSFER PUMP

Installation and Operation Manual



MADE IN 
USA
WITH GLOBAL MATERIALS


GORMAN-RUPP
COMPANY

Table of Contents

Thank You!	2
About This Manual.....	2
Symbols and Definitions	2
Safety Information.....	3
About Diesel Exhaust Fluid	3
Model Nomenclature.....	4
Installation	4
IBC / Tote Installation.....	4
Drum / Barrel Installation.....	5
Electrical Wiring	6
AC Power Connection.....	6
DC Power Connection	7
Pump Operation.....	7
Troubleshooting Guide	8
Parts & Kits.....	9
DEF Accessories	13
Technical Information	13
Service Information	14
Dimensional Information	15
Mounting Bracket	15

Thank You!

Thank you for your purchase of the DF series DEF pump! Your Fill-Rite® product comes with over 80 years of pump manufacturing experience behind it, providing you the value that comes with superior performance, user friendly design, outstanding durability, and solid, simple engineering. Protect yourself as well as those around you by observing all safety instructions and adhering to all danger, warning, and caution symbols. Please save these instructions for future reference and record the model, serial number, and purchase date of your Fill-Rite pump. Please register your Fill-Rite product via info.fillrite.com/product_registration.

IMPORTANT RETURN POLICY

Please do not return this product to the store. For all warranty and product questions, please contact Technical Support at 1 (800) 720-5192 or via email at FillRiteTech@fillrite.com (M-F, 8 AM – 5 PM ET).

MODEL#	
SERIAL#	
PURCHASE DATE:	



About This Manual

From initial concept and design through final production, your Fill-Rite product is built to provide years of trouble-free use. To ensure the safety of yourself and those around you, it is critical that this manual is read in its entirety prior to attempting to install or operate your new purchase. We strongly urge that any installer and operator become familiar with the terms, diagrams, and technical data in this manual and pay close attention to any DANGER, WARNING, CAUTION, or NOTICE information. At Fill-Rite, your satisfaction with our products is paramount to us. If you have questions or need assistance with your product, please contact us at 1 (800) 720-5192 or via email at FillriteTech@fillrite.com (M-F, 8 AM – 5 PM ET).

Symbols and Definitions

DANGER	Emphasizes an area in which personal injury or even death will result from failure to follow instructions properly. Mechanical damage may also occur.
WARNING	Emphasizes an area in which personal injury or even death may result from failure to follow instructions properly. Mechanical damage may also occur.
CAUTION	Failure to observe a "Caution" may cause damage to the equipment.
NOTICE	These boxes contain information that illustrates a point that may save time, or be key to proper operation, or clarifies a step.

Safety Information

⚠ DANGER

Electrical wiring should be performed with extreme caution and in compliance with local, state, and national electrical code NEC/ANSI/NFPA 70, NFPA 30, and NFPA 30A, as appropriate for the intended use of the pump. The pump must be properly grounded. If installing in deviation of this manual, a licensed electrician must perform the installation. Improper installation or use of this product could result in serious bodily injury, or death!

⚠ DANGER

To ensure safe and proper operation of your equipment, it is critical to read and adhere to all of the following safety warnings and precautions. Failure to follow instructions below, improper installation, or use of this product, will cause serious bodily injury or death!

- **DO NOT** use the pump near flammable liquids! Fire can result!
- This product shall not be used to transfer fluids into any type of aircraft.

⚠ WARNING

Threaded pipe joints and connections should be sealed with the appropriate sealant or sealant tape to minimize the possibility of leaks. Leaking fluids may cause a hazard.

⚠ WARNING

On Fill-Rite DEF pumps equipped with AC motors, the pump motor is equipped with thermal overload protection. If overheated, the motor will shut off to prevent damage to the windings. If this happens, **TURN THE PUMP OFF!** When the motor cools, it will restart without warning if the power is on.

⚠ CAUTION

This product is not suited for use with fluids intended for human consumption. Materials of construction are not food grade.

About Diesel Exhaust Fluid (DEF / AdBlue)

The Fill-Rite DEF pump is designed to pump AUS32 (Aqueous Urea Solution 32.5%), better known as Diesel Exhaust Fluid, often called “DEF”, or “AdBlue”.

DEF / AdBlue is used by modern diesel engines which are equipped with an SCR (Selective Catalytic Reduction) system. The common misconception is that it is an additive to the fuel, but DEF / AdBlue never comes into contact with the fuel. DEF / AdBlue is carried onboard the vehicle in its own storage tank. It is injected into the exhaust gases as a post combustion process through an SCR (Selective Catalytic Reduction) where it breaks harmful NOx (Nitrous Oxide) emissions down into mostly nitrogen and oxygen.

Because the specific purity of the DEF / AdBlue solution is critical to the catalytic reaction, the Fill-Rite DEF pump is designed to maintain the integrity by using components made of materials that will not taint or alter the solutions chemical structure.

NOTICE

To maintain the purity of DEF / AdBlue, it is important the dispensing system is a “closed loop”, or sealed system. DEF / AdBlue will crystallize on contact with oxygen, so having sealed containers, sealed lines and equipment, and a dispensing nozzle immersed in water are all paramount to maintaining the integrity of the DEF / AdBlue solution.

NOTICE

After initial assembly and installation, flush the entire dispensing system by pumping 5 – 10 gallons of DEF through it. This purges the system of air, and insures any impurities that may have been in the system are washed out. Dispose of the DEF used to flush the system using approved DEF handling procedures; do not return the fluid to the drum or tote, or use it in a vehicle.

⚠ WARNING

To ensure safe and proper operation of your equipment, it is critical to read and adhere to all of the following safety warnings and precautions.

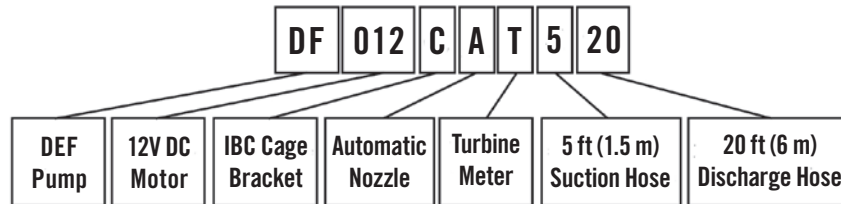
- Improper installation or use of this product can cause serious bodily injury or death!
- Maintaining the purity of Diesel Exhaust Fluid is critical; it is imperative once the system is assembled, it must remain sealed to insure the integrity of the fluid. Breaking the seal on the system can lead to fluid contamination.
- After dispensing DEF be certain to drain all the fluid from the nozzle, making sure it is pointing downward with the nozzle tip submerged in water when stored in the nozzle boot. DEF remaining in the nozzle tip that is exposed to air will crystallize and can plug the nozzle.
- **DO NOT** lay the dispensing nozzle on the ground or any surface that may contaminate the nozzle tip as this can compromise the purity of the DEF.
- Inlet and outlet threads are BSPP style and seals against O-rings, so no special sealant is required.
- Storage tanks must be securely anchored to prevent shifting or tipping when full or empty.
- On Fill-Rite DEF pumps equipped with AC motors, the pump motor is equipped with thermal overload protection. If overheated, the motor will shut off to prevent damage to the windings. If this happens, **TURN THE PUMP OFF!** When the motor cools, it will restart without warning if the power is on.

Model Nomenclature

Fill-Rite DEF Dispensing Systems are offered in a wide variety of pre-packaged kits. Model numbers reflect the content of the kits. Please reference the chart below to determine what pump and accessories are included in your kit:

DF (DEF)	XXX (Motor Power)		X (Mount Config.)		X (Nozzle)		X (Meter)		X (Suction)		XX (Discharge)		XX (Additional Accessories)	
Fill-Rite DEF Dispensing System	012	12V DC Pump	N	Pump Only	A	Automatic Nozzle	N	No Meter	5	5' (1.5m) Suction Hose	20	20' (6m) Discharge Hose		
	120	120V AC Pump	D	IBC Cage Bracket	M	Manual Nozzle	T	Turbine Meter						
			C	Drum Bracket										

Using that chart, a DF012CAT520 (as an example) breaks down like this down as follows:



Installation

If your pump comes as part of a system, regardless of whether it is AC or DC powered, it will be pre-mounted to either a IBC / tote mount bracket or a drum mounting bracket. Both systems are designed for quick mounting and dismantling from either IBC's and totes, or standard drums from 30 - 55 gallons. Both systems provide for secure attachment, hose and nozzle storage, and simple fluid connection.

Pump only installations can be securely mounted using the foot bracket on the bottom of the pump. Dimensions for the mounting holes are viewed on page 15.

IBC/Tote Installation

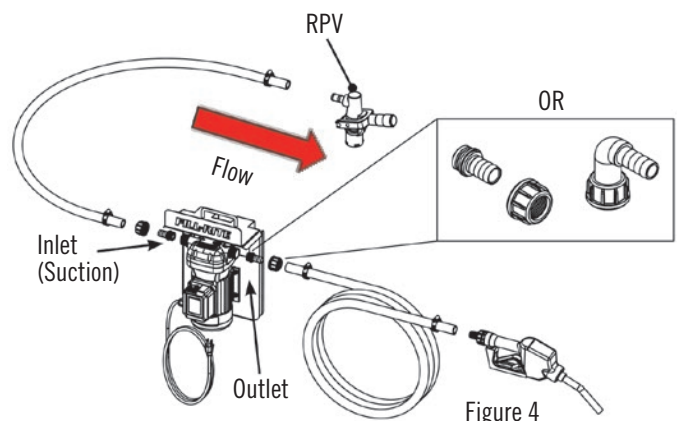
NOTICE

After initial assembly and installation, flush the entire dispensing system by pumping 5 – 10 gallons of DEF through it. This purges the system of air, and insures any impurities that may have been in the system are washed out. Dispose of the DEF used to flush the system using approved DEF handling procedures; do not return the fluid to the drum or tote, or use it in a vehicle.

WARNING

DO NOT overtorque the threaded collars that seal the barbed fittings to the inlet and outlet ports of the pump. The design features BSPP threads and an o-ring seal that does not require excessive torque to provide a liquid / air tight seal.

1. Hang Pump Bracket onto IBC.
2. Install Suction Hose to suction side of pump with included barb fittings and hose clamp (Figure 4). Suction side is left side when facing mounted pump.
3. Install the opposite end of suction hose to closed loop suction device with appropriate fittings (Models DF120CAT520, DF012CAT520, DF120CAN520-RP, and DF012CAN520-RP include an RPV to attach) (Figure 4).
4. Install Discharge Hose with nozzle to discharge side of pump with included barb fittings and hose clamp (Figure 4).
5. Tighten each hose clamp to secure suction and discharge hoses to all barb fittings to prevent fluid leaks (Figure 5a - 5c). Hook Nozzle Bracket to IBC Cage at preferred location.



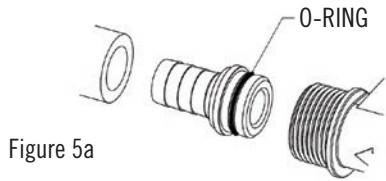


Figure 5a

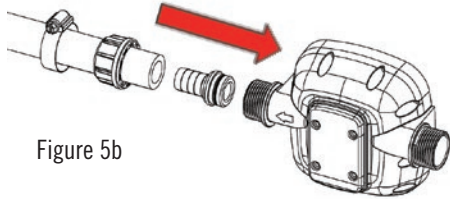


Figure 5b

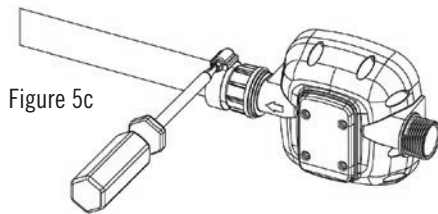


Figure 5c

6. Secure to cage with included tie strap (Figure 6a).
7. Insert Nozzle Reservoir into Nozzle Bracket and snap into opening. Add water to reservoir to prevent urea crystallization in nozzle (Figure 6a).
8. Wrap Discharge Hose around the Pump Bracket behind Fill-Rite Ledge. Final installation should look like the image below (Figure 6b):

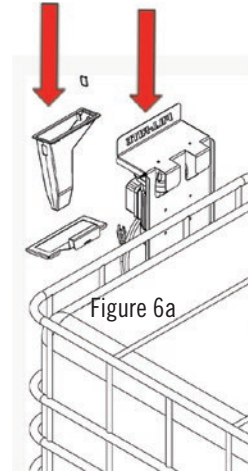


Figure 6a

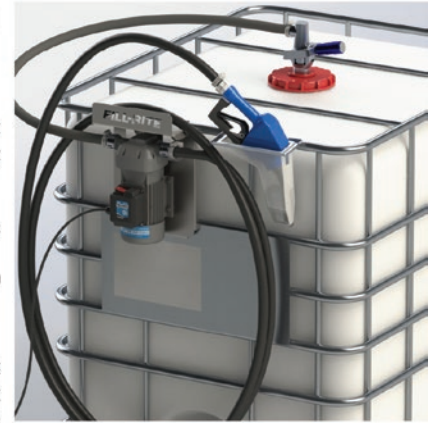


Figure 6b

Drum / Barrel Installation

NOTICE

After initial assembly and installation, flush the entire dispensing system by pumping 5 – 10 gallons of DEF through it. This purges the system of air, and insures any impurities that may have been in the system are washed out. Dispose of the DEF used to flush the system using approved DEF handling procedures; do not return the fluid to the drum or tote, or use it in a vehicle.

WARNING

DO NOT overtorque the threaded collars that seal the barbed fittings to the inlet and outlet ports of the pump. The design features BSPP threads and an o-ring seal that does not require excessive torque to provide a liquid / air tight seal.

1. Adjust Drum Kit to fit a 30 or 55 Gallon drum by unlocking both wing nuts and sliding bracket to adjust for with drum diameter (Figure 7).
2. Adjust length of suction tube to reach within 2" of the bottom of drum once tightened into bung adapter. Insert Drum Suction Tube (sold separately, item 6, page 11). Place Pump with Drum Bracket over drum lip. Compress sliding bracket to securely wrap around drum lip. Secure bracket by tightening wing nuts (Figure 8).

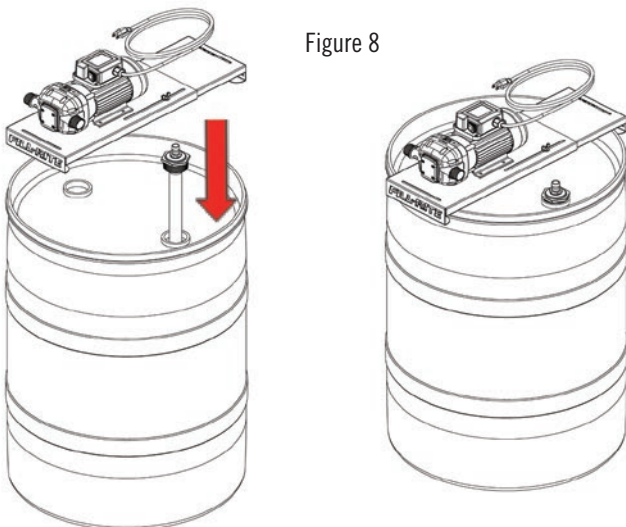


Figure 8

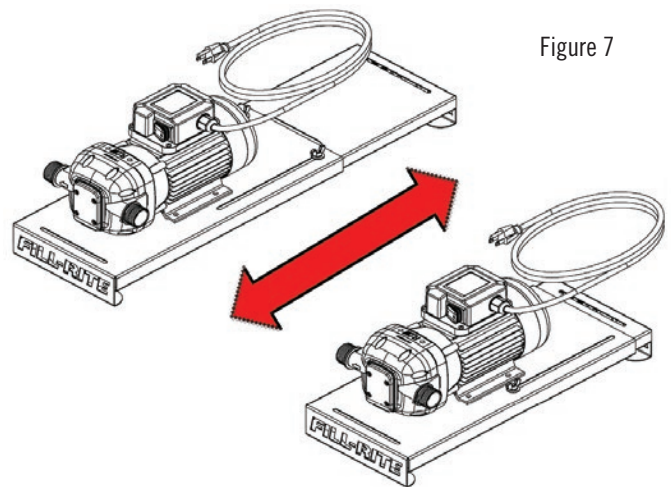
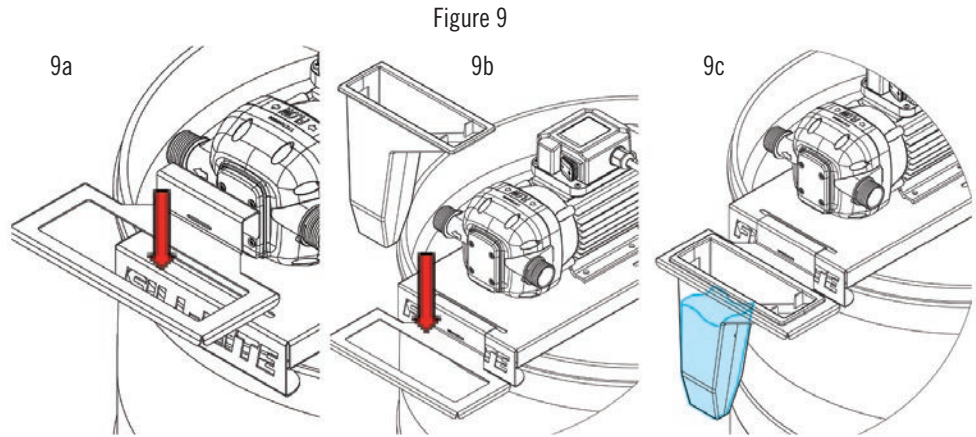


Figure 7

3. Install Suction Hose to suction side of pump with included barb fittings and hose clamp (see Figure 4, page 4).
4. Install the opposite end of suction hose to suction device with appropriate fittings (see Figure 4, page 4).
5. Install Discharge Hose with nozzle to discharge side of pump with included barb fittings and hose clamp (see Figure 5a-b, page 5).
6. Tighten each hose clamp to secure suction and discharge hoses to all barb fittings to prevent fluid leaks (see Figure 5c, page 5).
7. Install nozzle boot bracket and nozzle boot (Figure 9a - 9c).
8. Insert nozzle boot bracket into slot at top front of drum mount. Use supplied zip-tie to secure bracket to drum mount. (9a).
9. Insert Nozzle Reservoir into Nozzle Bracket and snap into opening.
10. Fill half full with water to prevent DEF crystalization in nozzle (9c).



Electrical Wiring

⚠ WARNING

Electrical wiring should be performed **ONLY** by a licensed electrician in compliance with local, state, and national electrical code NEC/ANSI/NFPA 70, NFPA30, and NFPA 30A, as appropriate to the intended use of the pump. The pump must be properly grounded. Improper installation or use of this pump can result in serious bodily injury, or death!

⚠ CAUTION

All pumps should operate at the rated voltage. Power should be supplied to the pump from a 15 amp circuit breaker. No other equipment should be powered by this circuit. Wiring must be of sufficient size to carry the correct current for the pump. Voltage drop will vary with distance to pump and size of wire; refer to the National Electrical Code (NEC), or local codes, for voltage drop compensation to be sure you are using the correct size wire for your application.

⚠ WARNING

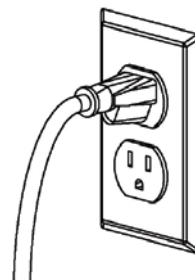
Be certain the power switch is "OFF" prior to connecting to the power source (AC or DC) to prevent unexpected starting of the motor. Unexpected motor start can cause unintended discharge of fluid, creating a potential hazard.

AC Power Connection

⚠ WARNING

THIS PRODUCT MUST BE GROUNDED! DO NOT defeat the ground prong on the plug by using an adapter, or otherwise modifying the plug. **DO NOT** plug this appliance into an ungrounded receptacle.

AC pumps come pre-wired for 120V AC, 60 Hz operation. These pumps are equipped with a conventional 120V AC 3-prong grounded plug that can be inserted into any conventional grounded receptacle. For safety and proper operation, do not remove or in any way bypass the ground prong.



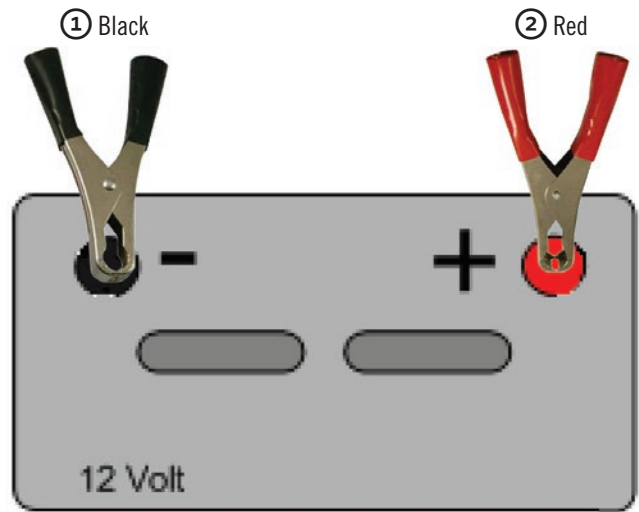
DC Power Connection

Inspect power cable before each use! Damage to the outer jacket of the cable that exposes wiring requires replacement of the power cable.

The power cable terminates in black and red clamps.

1. Connect the black (negative) clamp to the negative post of the DC power source first.
2. Connect the red (positive) clamp to the positive post last.

Clamps should be disconnected in reverse order.



Pump Operation

CAUTION

Your Fill-Rite DEF pump has a 30 minute Duty Cycle. After a 30 minute cycle of continuous operation, turn the pump off for 30 minutes. Failure to observe this duty cycle can damage the motor in your pump.

CAUTION

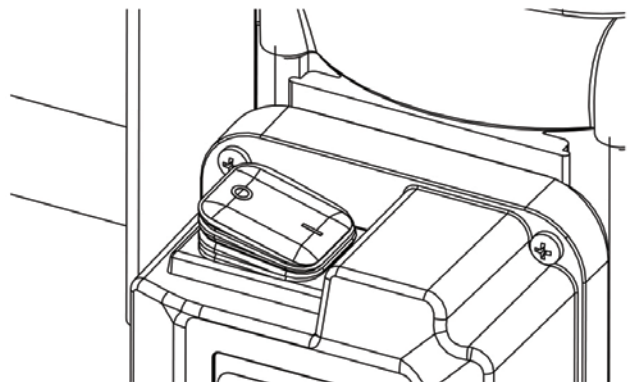
DO NOT operate your pump for more than 3 minutes without dispensing fluid. Extended periods of operation without dispensing fluid will damage the pump.

CAUTION

Before operating your pump, take a moment to make sure everything is ready. Do not proceed until you have verified the following:

- Verify the power switch is in the "OFF" position (O)
- Verify the water in the nozzle boot is clean and free of debris, and is deep enough to cover the spout
- Inspect nozzle spout to make sure it is clean and free of debris, and crystalized DEF
- Verify hoses and suction tube connection are clear and free of pinches or other restrictions
- Verify there is sufficient DEF in the supply tank to operate the pump

1. Connect the pump to the appropriate power supply (120VAC = Wall Receptical / 12V DC = battery or DC power supply).
2. Turn pump Power Switch to "ON" (I) position.
3. Remove Nozzle from Nozzle Reservoir and insert Nozzle Spout into tank or container to be filled.
4. Squeeze Nozzle Trigger to dispense fluid until the desired amount has been dispensed.
5. Release Nozzle Trigger, and return the Nozzle to the Nozzle Reservoir (be certain reservoir contains sufficient fluid to emerse the nozzle spout as illustrated in Figure 9c on page 6).
6. Turn pump off and coil discharge hose onto bracket.



Troubleshooting Guide

The following “Troubleshooting” guide is provided to offer basic diagnostic assistance in the event you encounter abnormal service from your Fill-Rite product. Typical repairs can be accomplished with simple hand tools following the basic diagnostic information below.



WARNING

DO NOT open or attempt to repair the motor on your Fill-Rite pump. Return it to the place of purchase for service. Opening the motor case will compromise the integrity of the construction and will void any existing warranty.



WARNING

Be certain all power to the pump is turned off, and is disconnected from its power source prior to performing any service or maintenance.



CAUTION

Be certain the DEF system remains sealed while performing any service or maintenance to the pump. DEF crystalizes when it contacts air, causing potential issues in the pump, and an open system creates the opportunity for contamination of the DEF.

Problem	Possible Cause	Solution
Pump will not prime	<ol style="list-style-type: none"> Suction line problem Closed loop coupler not properly engaged Bypass valve open / sticking Outlet blocked 	<ol style="list-style-type: none"> Check suction line for leaks or restrictions / kinks; too small, too long, or not airtight. RPV not locked. RPV or similar coupler not properly engaged. Refer to coupler manufacturers instructions. Remove and inspect valve (page 10, item 24); valve must move freely & be free of debris. Check pump outlet, hose, nozzle & filter for blockage.
Pump runs slowly	<ol style="list-style-type: none"> Incorrect voltage Motor problem 	<ol style="list-style-type: none"> Check incoming line voltage while pump is running. Return to place of purchase.
Motor stalls	<ol style="list-style-type: none"> Bypass valve sticking Low voltage Restricted suction Debris in pump cavity Motor failure 	<ol style="list-style-type: none"> Remove and inspect valve (page 10, item 24); valve must move freely & be free of debris. Check incoming line voltage while pump is running. Remove and clean suction line. Clean debris from pump cavity. Return to place of purchase.
Motor inoperative	<ol style="list-style-type: none"> No power Switch failure Motor failure Incorrect / loose wiring 	<ol style="list-style-type: none"> Check incoming power / Fuse (DC) / Breaker (AC). Return to place of purchase. Return to place of purchase. Check wiring and connections.
Fluid leakage	<ol style="list-style-type: none"> Bad o-ring seal Incompatible fluid Loose fasteners 	<ol style="list-style-type: none"> Check all o-ring gaskets. USE ONLY with DEF or water. Tighten fasteners.
Low or no flow rate	<ol style="list-style-type: none"> Low level in tank Excessive suction requirements Pump running in bypass Bypass valve open Air entering suction side Suction line restriction 	<ol style="list-style-type: none"> Refill tank. Minimum 3/4" diameter suction line not to exceed rated lift. Suction line to be 2" off bottom of tank. Use shorter discharge hose, or greater diameter. Remove and inspect valve (page 10, item 24); valve must move freely & be free of debris. Check suction side seals and connections. Use tubing suitable with for working with suction pressure.

Troubleshooting Guide (Continued)

<p>Low or no flow rate (continued)</p>	<ol style="list-style-type: none"> 7. Low rotation speed 8. Suction tube is resting on the bottom of the tank 9. Pump or motor frozen 10. Leaks in pump outlet plumbing 11. Bypass valve open / sticking 12. Crystallization in pump cavity 13. Check valve sticking 14. Tote / barrel / tank not properly vented 	<ol style="list-style-type: none"> 7. Check voltage at the pump. Adjust voltage and / or use cables with larger guage wire. 8. Modify suction tube to correct length. 9. Thaw pump and check for damage. Starting a frozen pump can damage the motor and / or pump. 10. Check the seal at the pump connection and inspect for damage. 11. Remove and inspect valve (page 10, item 24); valve must move freely & be free of debris. 12. Flush and clean pump. 13. Remove and inspect valve (page 10, item 27 & 31); valve must move freely & be free of debris. 14. Properly vent system.
<p>Increased pump noise</p>	<ol style="list-style-type: none"> 1. Irregular bypass function 2. Presence of air in liquid being pumped 	<ol style="list-style-type: none"> 1. Remove and inspect valve (page 10, item 24); valve must move freely & be free of debris. 2. Verify suction connections and suction line. Purge system of air.
<p>Automatic nozzle malfunctions</p>	<ol style="list-style-type: none"> 1. Crystalization in spout 2. Flow too high 	<ol style="list-style-type: none"> 1. Dip nozzle spout in warm water. 2. Decrease flow rate by using lower lock setting on handle.

Parts and Kits

A wide variety of parts and kits are available to maintain and accessorize your Fill-Rite DEF system. To insure proper performance and long service life, always use genuine Fill-Rite parts when servicing your DEF system. The following pages contain kit information; additional information is also available on-line at fillrite.com. You can also consult our world class Technical Support at 1 (800) 720-5192 or via email at FillRiteTech@fillrite.com (M-F, 8 AM – 5 PM ET).

NOTICE

Always have your model, serial number, and date of purchase available when you are ordering kits and replacement parts for your Fill-Rite DEF pump.

CAUTION

Always wear protective clothing and safety equipment when working with Diesel Exhaust Fluid. Even small amounts you may encounter while servicing your pump can be caustic and harmful!

Serial number information for your Fill-Rite DEF system is located on the pump. The serial number is located on the front of the pump, at the base of the pump housing assembly (Figure 10). It is the number located above the word "FLOW".

Refer to the Nomenclature information on page 4 to decode specifics regarding what components were included in your system.

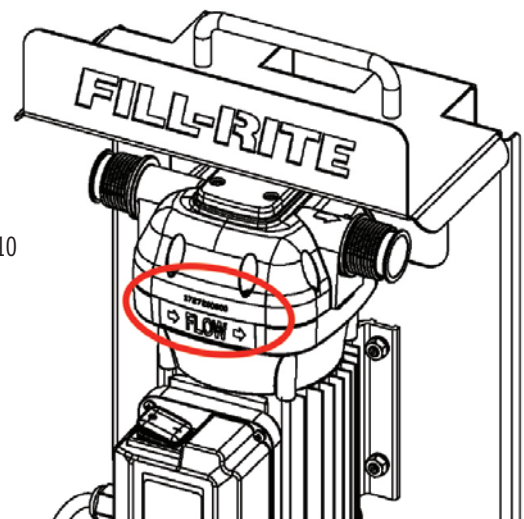
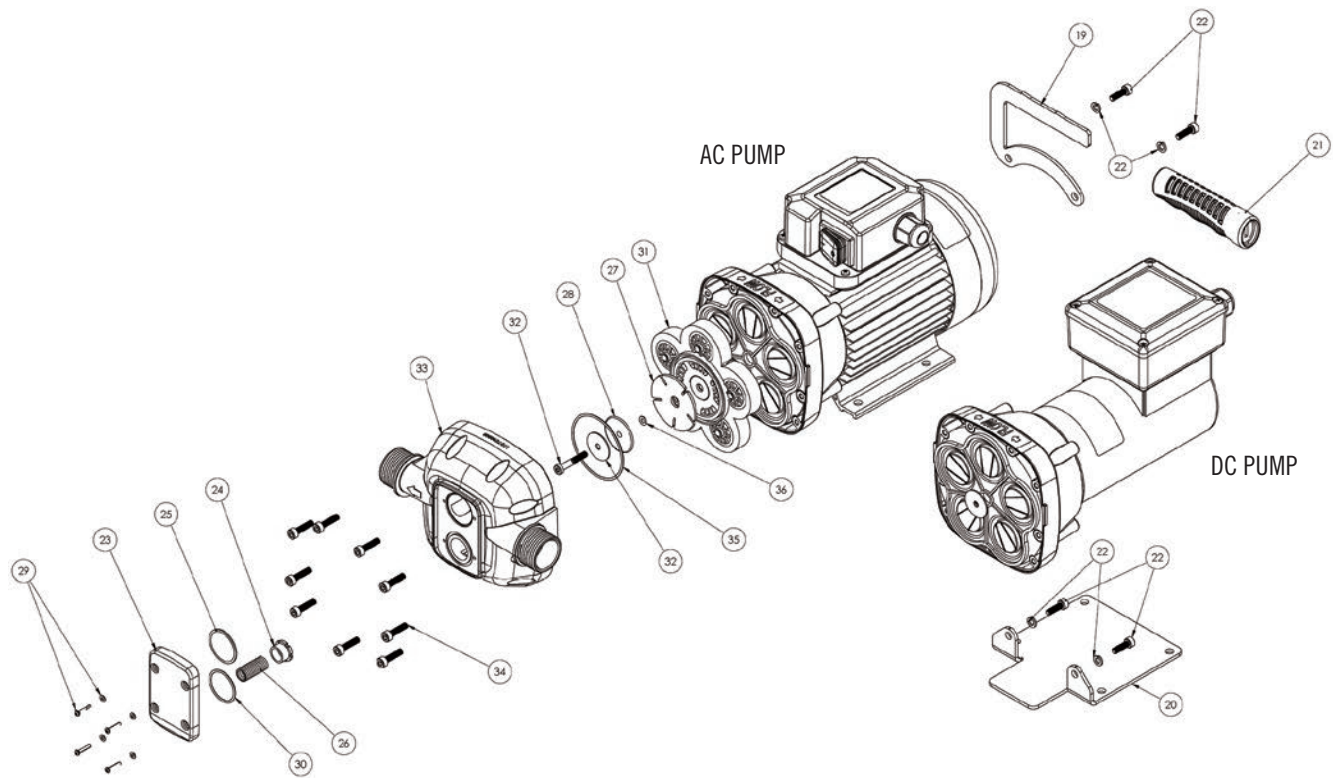


Figure 10

Parts and Kits (Continued)

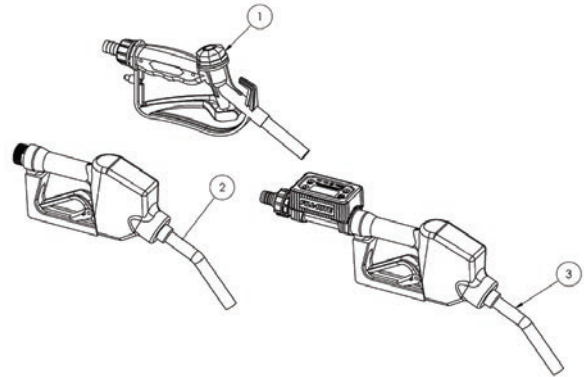


Kit	Description	Qty	Item
KITDFHF DC Pump Replacement Bracket	Metal Handle Bracket	1	19
	Metal Foot Bracket	1	20
	Rubber Grip	1	21
	Mounting Hardware	12	22
KITDFPK DEF Pump Replacement Parts	Bypass Poppet	1	24
	Outlet Dampener	1	25
	Bypass Spring	1	26
	Flap Valve	1	27
	Flap Valve Washer	1	28
	Bypass Mounting Hardware	4	29
	Bypass Seal	1	30
	Check Valve Assembly	1	31
	Check Valve Mounting Bolt	1	32
	Check Valve Assembly Seal	1	35
Motor Seal	1	36	

Parts and Kits (Continued)

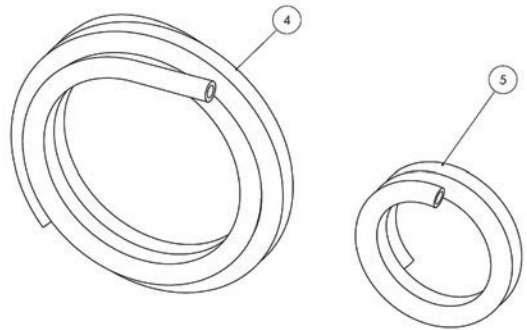
Nozzles

Kit	Description	Item
FRDFM075C	DEF Manual Nozzle	1
FRDFA075B	DEF Automatic Nozzle	2
KITDFMN	DEF Automatic Metering Nozzle	3



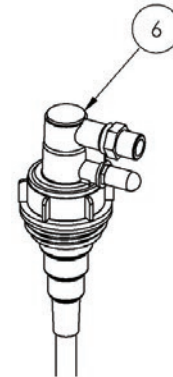
Hoses

Kit	Description	Item
KITDFH20	Discharge Hose, 20'	4
KITDFH05	Suction Hose, 5'	5



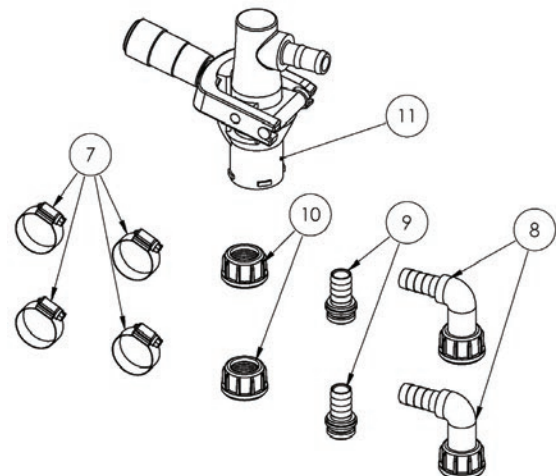
Suction Tubes

Kit	Description	Item
KIT180DTPS	3/4in Hose Barb Suction Tube	6

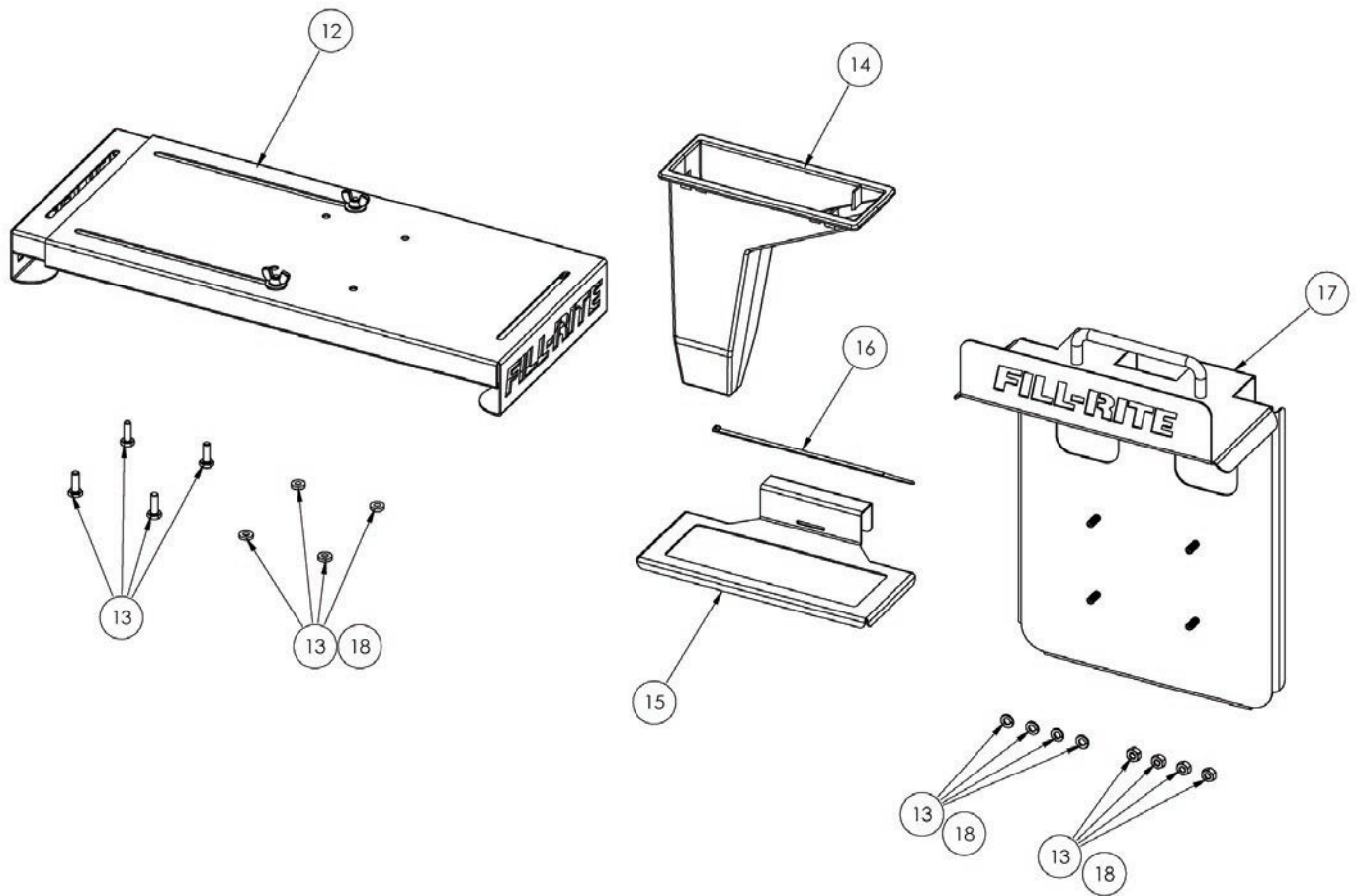


Fittings

Kit	Description	Item
KITDFFK 3/4in DEF Hose Barb Kit	Hose Clamps	7
	Elbow Fittings	8
	Straight Barb Fittings	9
	Straight Barb Retaining Nuts	10
MMNM075RPV	Non-Metallic, 4-Pin, RPV Coupler	11



Parts and Kits (Continued)



Kit	Description	Qty	Item
KITDFDB Drum Bracket DEF Kit	Fill-Rite Adjustable Drum Bracket	1	12
	Mounting Hardware	16	13
	Plastic Nozzle Reservoir	1	14
	Nozzle Reservoir Bracket	1	15
	Zip Tie	1	16
KITDFCB IBC/Tote Bracket DEF Kit	Fill-Rite IBC/Tote Bracket	1	17
	Mounting Hardware	12	18
	Plastic Nozzle Reservoir	1	14
	Nozzle Reservoir Bracket	1	15
	Zip Tie	1	16
KITDFNB Nozzle Reservoir Kit	Plastic Nozzle Reservoir	1	14
	Nozzle Reservoir Bracket	1	15
	Zip Tie	1	16

DEF Accessories

Fill-Rite offers a wide variety of products for handling Diesel Exhaust Fluid. From meters, to nozzles, to hand pumps, there is a Fill-Rite product available to meet your DEF needs. Contact your distributor for additional information, or visit us on the web at fillrite.com.

Part No.	Description
FRNS075A	Premium Auto DEF Nozzle (Stainless Steel Body)
MMSS075RSV	Stainless Steel RSV Dispense Coupler
MMSS075EPV	Stainless Steel EPV Dispense Coupler
TT10P	Fill-Rite Turbine Meter
TS06C	Weights & Measures Meter
825/825P	Nutating Disc Meter
FR1118P	In-Line Meter
FRHP32V	DEF Hand Pump
FRAP32V	DEF Air Pump
SP100-05N-PP-SSS	1/2" AODD Polypropylene / Santoprene
SP100-10F-PP-SSS	1" AODD Polypropylene / Santoprene

Technical Information

Motor	AC	DC
Power - AC or DC	120V AC	12V DC
HZ - (AC only)	60 Hz	N/A
HP (Horsepower) Rating	1/4 HP	1/4 HP
Power Cord Length	6 ft	20 ft
Power Cord Gauge	16 / 3	14 / 2
AMPS (FLA)	2.4 Amps	22 Amps
RPM	3400 RPM	2800 RPM
Duty Cycle	30 minutes ON / 30 minutes OFF	30 minutes ON / 30 minutes OFF
Thermal Protection	Yes	No
Circuit Protection	N/A	25 Amp Fuse
Certifications (Regulatory)	N/A	N/A

Pump	
Pump Type	Diaphragm Wobble Plate
GPM in Supplied Configuration (with hose and nozzle)	8 GPM
GPM Open Flow	10 GPM
Bypass Pressure Rating (Max)	38 psi
Certifications (Regulatory)	N/A
Dry Vac (in-Hg)	6
Wetted Materials	Nylon, EPDM, Stainless Steel, Santoprene
Fluid Compatibility	Diesel Exhaust Fluid, Water

Service Instructions

NOTE: All item numbers reference Page 11 image of AC and DC Pump Components.

Tools Required

- M4 Hex Driver Bit
- M3 Hex Driver Bit
- #1 Philips Driver Bit
- Power Drill or Bit Screwdriver
- Needle Nose Plier

Clean / Inspect Bypass

1. To open the bypass cover (item 23), use a #1 Philips bit/screwdriver to remove the screws and washers (Items 29).

NOTE: Bypass cover is under spring pressure and will spring open after screws are disengaged from pump housing (Item 33).

2. Once the screws and washers of the bypass are removed, carefully check the bypass O-ring (Item 30) and outlet dampener (Item 25) for damage or debris.
3. Remove bypass spring (Item 26) from bypass cavity.
4. Using needle nose pliers, remove the bypass poppet (item 24) from bypass cavity, inspect bypass poppet and cavity for debris or damage.
5. Reverse the disassembly to return the bypass back to normal operation.

NOTE: Verify all seals have are properly seated before tightening bypass cover with bypass cover mounting hardware.

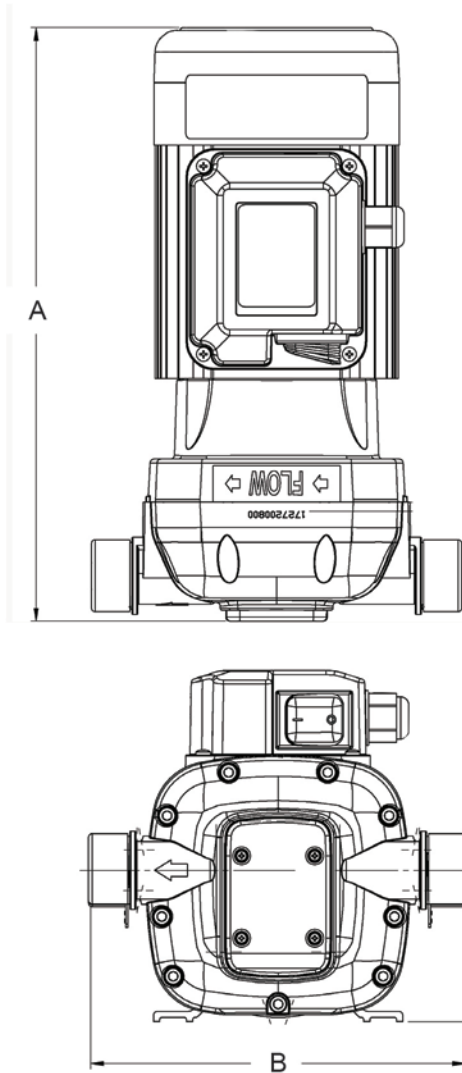
Clean / Inspect Fluid Chamber

1. To open the fluid chamber, use a M4 hex driver bit in a power drill or bit screwdriver to remove all nine of the pump housing mounting bolts (Item 34).
2. Once the bolts have been removed, lift the pump housing from the motor.
3. Inspect for debris or damage in the flap check (Item 27) and the five black check valves in Item 31.
4. To continue inspection, use a M3 hex driver bit in a power drill or bit screwdriver to remove the check valve mounting bolt (Item 32)
5. Lift check valve mounting washers (Item 28 & 32) and flap valve (Item 27) from motor. Verify small motor O-ring seal (Item 36) is free of debris/damage and still mounted to check valve mounting bolt (Item 32).
6. Carefully check for debris or damage of flap valve (Item 27).
7. Lift check valve assembly (Item 31) from motor and verify no debris is inside the assembly. Inspect for debris or damage to any of the five black check valves included in Item 31.
8. After debris and damage evaluation is complete, reverse the disassembly to return the check valves and pump housing back to normal operations.

NOTE: Realign the flap valve (Item 27) to cover all check valve ports of the check valve assembly (Item 31).

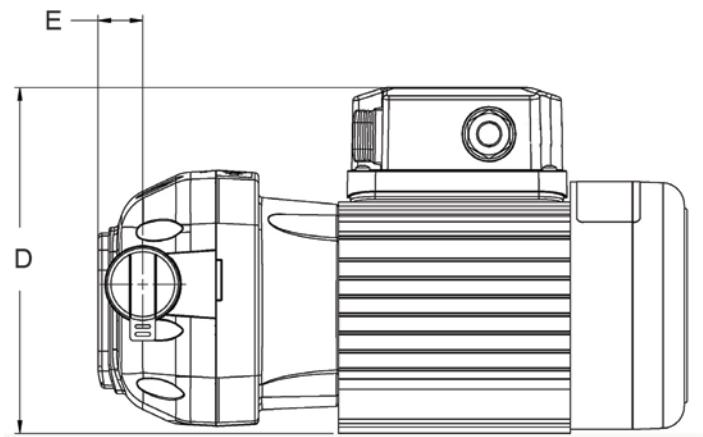
NOTE: Verify all seals are properly seated before tightening hardware.

Dimensional Information

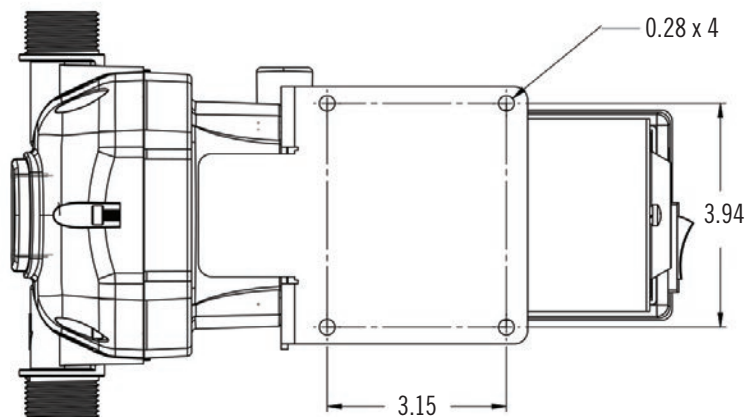


Dimension	AC Pump	DC Pump
A	11.6 in / 295 mm	12.5 in / 318 mm
B	7.2 in / 183 mm	7.2 in / 183 mm
C	2.9 in / 74 mm	2.91 in / 74 mm
D	6.7 in / 17 mm	7.2 in* / 183 mm*
E	.9 in / 23 mm	.9 in / 23mm

* Overall height includes carrying handle (DC models only - not pictured)



Mounting Bracket



FILL-RITE[®]

A GORMAN-RUPP COMPANY

Fill-Rite Company
8825 Aviation Drive
Fort Wayne, Indiana 46809 USA

T 1 (800) 720-5192
F 1 (260) 747-7524
F 1 (800) 866-4681



fillrite.com | sotera.com | gormanrupp.com

FILL-RITE DEF™

POMPE DE TRANSFERT DE DEF SÉRIE DF

Manuel d'installation et d'utilisation



MADE IN 
USA
WITH GLOBAL MATERIALS


GORMAN-RUPP
COMPANY

Table des matières

Merci!.....	2
À propos de ce manuel	2
Symboles et définitions	2
Information sur la sécurité	3
À propos des fluides d'échappement diesel	3
Nomenclature des modèles.....	4
Installation	4
Pose sur réservoir portatif / IBC.	4
Pose sur fût / baril.....	5
Câblage électrique	6
Raccordement de l'alimentation CA.....	6
Raccordement de l'alimentation CC.....	7
Fonctionnement de la pompe.....	7
Guide de dépannage.....	8
Pièces et trousse	9
Accessoires FED	13
Information technique	13
Instructions d'entretien	14
Données dimensionnelles	15
Support de montage.....	15

Merci!

Nous vous remercions d'avoir acheté une pompe à FED série DF! Votre produit Fill-Rite® bénéficie de plus de 80 années d'expérience dans la fabrication de pompes, vous offrant les avantages liés à des performances supérieures, une conception fonctionnelle, durabilité exceptionnelle et une ingénierie simple et solide. Protégez-vous ainsi que ceux qui vous entourent en observant toutes les consignes de sécurité et en respectant tous les symboles de danger, d'avertissement et d'avertissement. Veuillez conserver ces instructions pour référence ultérieure et enregistrer le modèle, le numéro de série et la date d'achat de votre pompe Fill-Rite. Veuillez enregistrer votre produit Fill-Rite via info.fillrite.com/product_registration.

IMPORTANTE POLITIQUE DE RETOUR

Veuillez ne pas retourner ce produit au magasin. Pour toutes les questions sur la garantie et les produits, veuillez contacter le support technique au 1 (800) 720-5192 ou par e-mail à FillRiteTech@fillrite.com (M-V, 8h00 - 17h00 HE).

N° DE MODÈLE	
N° DE SÉRIE	
DATE D'ACHAT :	

FILL-RITE
A GORMAN-RUPP COMPANY

À propos de ce manuel

Du concept initial jusqu'à la fabrication finale, votre pompe Fill-Rite est construite pour vous offrir des années d'utilisation sans problème. Pour assurer ces résultats et pour écarter les risques de blessure ou de mort, il est impératif que vous lisiez entièrement ce manuel avant de tenter d'installer ou de faire fonctionner votre nouvelle pompe. Familiarisez-vous avec les termes utilisés et les schémas et accordez une attention particulière aux sections mises en évidence comme suit :

Symboles et définitions



Souligne des circonstances qui **entraîneront** des blessures corporelles, voire la mort, si les instructions ne sont suivies comme il se doit. Des dommages mécaniques sont également possibles.



Souligne des circonstances qui **peuvent entraîner** des blessures corporelles, voire la mort, si les instructions ne sont suivies comme il se doit. Des dommages mécaniques sont également possibles.



Mise en garde qui doit être observée pour éviter d'endommager le matériel.



Ces encadrés contiennent des informations qui illustrent un point susceptible de faire gagner du temps ou essentiel au bon fonctionnement ou qui clarifient une étape.

Information sur la sécurité

DANGER

Le câblage électrique doit être exécuté avec toutes les précautions de rigueur et en conformité avec le code de l'électricité en vigueur, NEC/ANSI/NFPA-70, NFPA 30 et NFPA 30A, comme il se doit en fonction de l'utilisation prévue de la pompe. La pompe doit être correctement reliée à la terre. Si l'installation s'écarte des instructions du présent manuel, elle devra être confiée à un électricien agréé. Une installation ou utilisation incorrecte de ce produit peut entraîner des blessures corporelles graves ou la mort!

DANGER

Pour assurer la sécurité et le bon fonctionnement du matériel, il est essentiel de lire et de respecter toutes les mises en garde et précautions suivantes. Le non-respect des instructions ci-dessous ou une installation ou utilisation incorrecte de ce produit entraîneront des blessures corporelles graves ou la mort!

- **NE PAS** utiliser la pompe à proximité de liquides inflammables! Cela peut provoquer un incendie!
- Ne pas utiliser ce produit pour transférer des liquides dans un quelconque type d'avion.

AVERTISSEMENT

L'étanchéité des joints et raccords de tuyauterie filetés doit être assurée au moyen d'une pâte ou d'un ruban d'étanchéité adapté afin de minimiser les risques de fuite. Les fuites de liquides peuvent présenter un danger.

AVERTISSEMENT

Sur les pompes à FED Fill-Rite équipées d'un moteur à courant alternatif (CA), le moteur de pompe est équipé d'une protection contre la surcharge thermique. En cas de surchauffe, le moteur s'arrête pour éviter d'endommager les bobinages. Si cela se produit, **ARRÊTER LA POMPE!** Une fois que le moteur a refroidi, il redémarre sans avertissement s'il est sous tension.

ATTENTION

Ce produit ne convient pas à une utilisation avec des fluides destinés à la consommation humaine. Ses matériaux de fabrication ne sont pas de qualité alimentaire.

À propos des fluides d'échappement diesel (DEF / AdBlue)

La pompe à FED Fill-Rite est conçue pour pomper de l'AUS32 (solution d'urée aqueuse à 32,5 %), plus connue sous le nom de fluide d'échappement diesel, ou plus souvent « FED » ou « AdBlue ».

Le FED / AdBlue est utilisé dans les moteurs diesel modernes équipés d'un système de réduction catalytique sélective, ou SCR (Selective Catalytic Reduction). Une idée fausse courante est qu'il s'agit d'un additif pour carburant, alors que le FED / AdBlue ne vient jamais au contact du carburant. Le FED / AdBlue est transporté à bord du véhicule dans son propre réservoir. Il est injecté dans les gaz d'échappement dans le cadre d'un processus post-combustion au moyen d'un système de réduction catalytique sélective, ou SCR, où il décompose les émissions nocives de NOx (oxyde nitreux) essentiellement en azote et en oxygène.

Comme la pureté particulière de la solution de FED / AdBlue est essentielle à la bonne réaction catalytique, la pompe à FED Fill-Rite est conçue pour préserver son intégrité par l'emploi de pièces fabriquées dans des matériaux qui ne perturbent ou n'altèrent pas la structure chimique de la solution.

AVIS

Pour maintenir la pureté du FED / AdBlue, il est important que le système de distribution soit un « circuit fermé » ou hermétique. Le FED / AdBlue se cristallise au contact de l'oxygène c'est pourquoi l'utilisation de contenants étanches, des conduites étanches et d'équipements et pistolets de distribution immergés dans l'eau sont essentiels au maintien de l'intégrité de la solution de FED / AdBlue.

AVIS

Après l'assemblage initial et l'installation, rincer le système de distribution entier en pompant 19 à 38 litres (5 à 10 gallons) de FED à travers le circuit. Cela purge l'air du circuit et assure l'élimination de toutes les impuretés éventuellement présentes. Éliminer le FED utilisé pour purger le système suivant des méthodes agréées pour la manutention des FED; ne pas renvoyer le liquide vers le fût ou la cuve sur palette ni l'utiliser dans un véhicule.

AVERTISSEMENT

Pour assurer la sécurité et le bon fonctionnement du matériel, il est essentiel de lire et de respecter toutes les mises en garde et précautions suivantes.

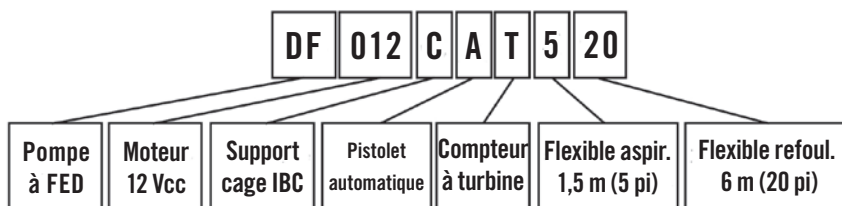
- Une installation ou une utilisation incorrecte de ce produit peut entraîner des blessures corporelles graves ou la mort!
- Le maintien de la pureté du fluide d'échappement diesel est essentiel; il est impératif de préserver l'étanchéité du système une fois assemblé afin d'assurer l'intégrité de ce liquide. La perte d'étanchéité du système peut provoquer une contamination du liquide.
- Après le transfert de FED, veiller à bien vidanger tout le liquide du pistolet, en s'assurant qu'il pointe vers le bas avec l'embout de pistolet plongé dans l'eau lorsqu'il est rangé dans la gaine de pistolet. Le FED restant dans l'embout de pistolet est exposé à l'air et peut cristalliser et obstruer le pistolet.
- **NE PAS** poser le pistolet sur le sol ou sur une quelconque surface susceptible de contaminer son embout et de porter atteinte à la pureté du FED.
- Les filetages d'admission et de refoulement sont de type BSPP et comportent des joints toriques, par conséquent aucun produit d'étanchéité particulier n'est nécessaire.
- Les cuves de stockage devront être solidement ancrées afin d'empêcher tout déplacement ou basculement lorsqu'elles sont vides ou pleines.
- Sur les pompes à FED Fill-Rite équipées d'un moteur à courant alternatif (CA), le moteur de pompe est équipé d'une protection contre la surcharge thermique. En cas de surchauffe, le moteur s'arrête pour éviter d'endommager les bobinages. Si cela se produit, **ARRÊTER LA POMPE!** Une fois que le moteur a refroidi, il redémarre sans avertissement s'il est sous tension.

Nomenclature des modèles

Les systèmes de distribution de FED Fill-Rite sont proposés dans un large éventail d'ensembles préconfigurés. Les numéros de modèle identifient le contenu de ces ensembles. Se reporter au tableau ci-dessous pour déterminer quelle pompe et quels accessoires sont inclus dans le système :

DF (FED)	XXX (Alim. moteur)		X (Config. montage)		X (Pistolet)		X (Compteur)		X (Aspiration)		XX (Refolement)		XX (Accessoires supplémentaires)	
Système de distribution de FED Fill-Rite	012	Pompe 120 Vcc	N	Pompe seule	A	Buse automatique	N	Pas de compteur	5	Flexible d'aspiration de 1,5 m (5 pi)	20	Flexible de refolement de 6 m (20 pi)		
	120	Pompe 120 Vca	D	Support pour cage IBC	M	Pistolet manuel	T	Compteur à turbine						
			C	Support pour fût										

Par exemple, les caractéristiques du modèle DF012CAT520 sont les suivantes :



Installation

Si la pompe fait partie d'un système plus complet, qu'elle soit à courant alternatif ou continu, elle sera fournie déjà montée sur un support pour réservoir portatif / IBC ou sur un support pour fût. Ces deux systèmes sont conçus pour permettre un montage et un démontage rapides sur soit des réservoirs portatifs et IBC, soit des fûts standard de 114 à 208 litres (30 à 55 gallons). Les deux systèmes permettent une fixation sécurisée, le rangement des flexibles et du pistolet et un raccordement facile au fluide.

Les systèmes de pompe seule peuvent être montés de façon sécuritaire au moyen du pied-support sous la pompe. Les dimensions de placement des trous de fixation sont illustrées à la page 15.

Pose sur réservoir portatif / IBC

AVIS

Après l'assemblage initial et l'installation, rincer le système de distribution entier en pompant 19 à 38 litres (5 à 10 gallons) de FED à travers le circuit. Cela purge l'air du circuit et assure l'élimination de toutes les impuretés éventuellement présentes. Éliminer le FED utilisé pour purger le système suivant des méthodes agréées pour la manutention des FED; ne pas renvoyer le liquide vers le fût ou la cuve sur palette ni l'utiliser dans un véhicule.

⚠ AVERTISSEMENT

NE PAS serrer les colliers filetés à un couple excessif pour assurer l'étanchéité des raccords cannelés sur les orifices d'entrée et de sortie de la pompe. Les raccords comportent un filetage BSPP et un joint torique qui ne nécessite pas de serrage excessif pour assurer un assemblage étanche à l'air et aux liquides.

1. Accrocher le support de pompe au réservoir IBC.
2. Poser le flexible d'aspiration sur le côté aspiration de la pompe à l'aide des raccords cannelés et du collier de serrage fournis (Figure 4). Le côté aspiration est le côté gauche lorsqu'on est face à la pompe montée.
3. Raccorder l'autre bout du flexible d'aspiration à un dispositif d'aspiration en circuit fermé au moyen de raccords adaptés (les modèles DF120CAT520, DF012CAT520, DF120CAN520-RP, and DF012CAN520-RP comprennent un coupleur RPV pour l'attacher) (Figure 4).
4. Poser le flexible de refolement avec pistolet sur le côté refolement de la pompe à l'aide des raccords cannelés et du collier de serrage fournis (Figure 4).
5. Serrer les colliers de serrage pour sécuriser les flexibles d'aspiration et de refolement aux raccords cannelés de façon à éviter toute fuite (Figure 5a à 5c).

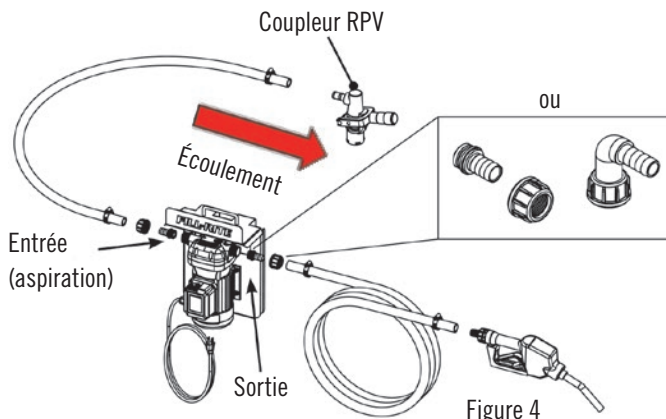


Figure 4

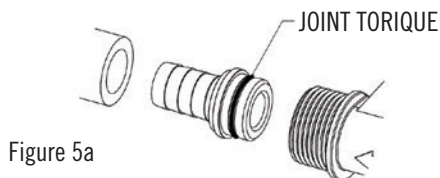


Figure 5a

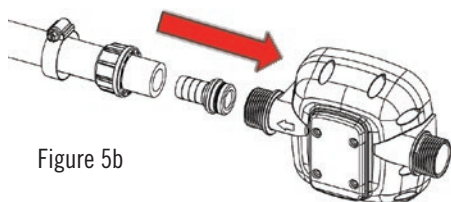


Figure 5b

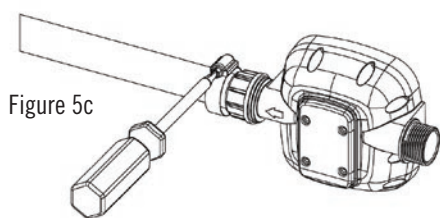


Figure 5c

6. Accrocher le support de pistolet à la cage IBC à l'emplacement souhaité. Fixer à la cage avec le serre-câble fourni (Figure 6a).
7. Insérer le godet de pistolet dans le support de pistolet et l'enclencher dans l'ouverture. Mettre de l'eau dans le godet pour empêcher l'urée de cristalliser dans le pistolet (Figure 6a).
8. Enrouler le flexible de refoulement autour du support de pompe derrière le rebord Fill-Rite. L'installation finale doit ressembler à l'illustration ci-dessous (Figure 6b) :

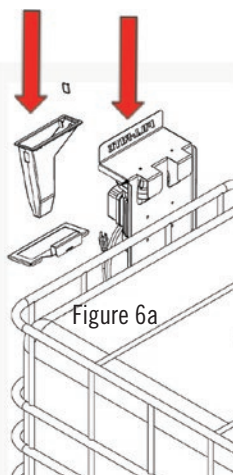


Figure 6a



Figure 6b

Pose sur fût / baril

AVIS

Après l'assemblage initial et l'installation, rincer le système de distribution entier en pompant 19 à 38 litres (5 à 10 gallons) de FED à travers le circuit. Cela purge l'air du circuit et assure l'élimination de toutes les impuretés éventuellement présentes. Éliminer le FED utilisé pour purger le système suivant des méthodes agréées pour la manutention des FED; ne pas renvoyer le liquide vers le fût ou la cuve sur palette ni l'utiliser dans un véhicule.

AVERTISSEMENT

NE PAS serrer les colliers filetés à un couple excessif pour assurer l'étanchéité des raccords cannelés sur les orifices d'entrée et de sortie de la pompe. Les raccords comportent un filetage BSPP et un joint torique qui ne nécessite pas de serrage excessif pour assurer un assemblage étanche à l'air et aux liquides.

1. Pour ajuster l'ensemble pour fût en fonction de la taille du fût (114 à 208 litres [30 à 55 gallons]), desserrer les écrous à oreilles et faire coulisser le plateau comme il se doit pour le diamètre du fût (Figure 7).
2. Ajuster la longueur du tube d'aspiration pour qu'il débouche à moins de 5 cm (2 po) du fond du fût une fois qu'il est serré dans l'adaptateur de bonde. Enfiler le tube d'aspiration de fût (vendu séparément, repère 6, page 11). Placer la pompe montée sur le support pour fût sur le rebord du fût. Serrer les écrous à oreilles pour bloquer le support coulissant (Figure 8).

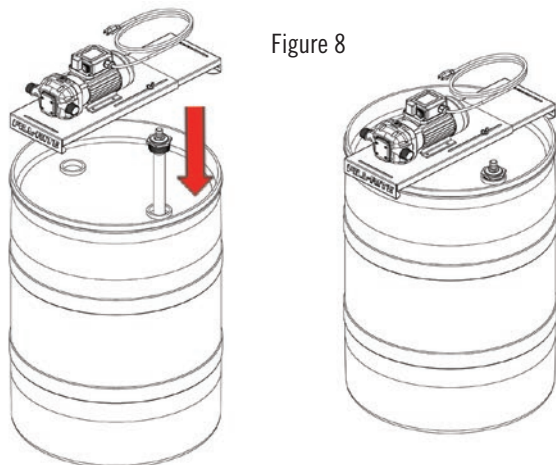


Figure 8

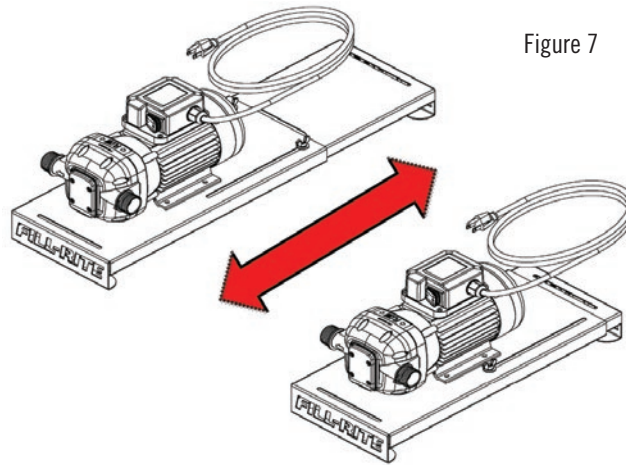
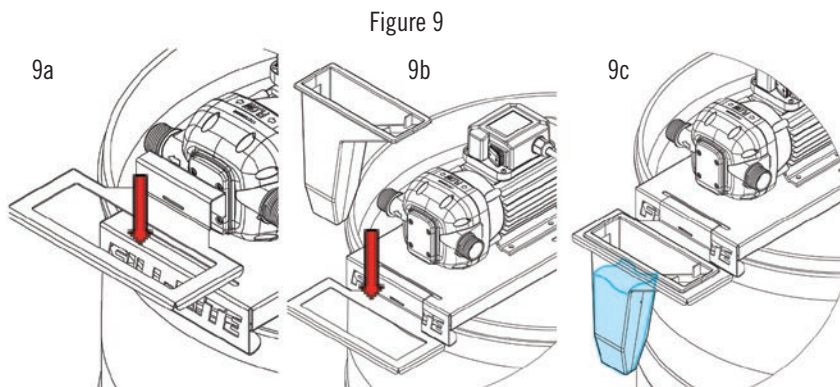


Figure 7

3. Poser le flexible d'aspiration sur le côté aspiration de la pompe à l'aide des raccords cannelés et du collier de serrage fournis (voir Figure 4 à la page 4).
4. Raccorder l'autre bout du flexible d'aspiration à un dispositif d'aspiration au moyen de raccords adaptés (voir Figure 4, page 4).
5. Poser le flexible de refoulement avec pistolet sur le côté refoulement de la pompe à l'aide des raccords cannelés et du collier de serrage fournis (voir Figure 5a et b, page 5).
6. Serrer les colliers de serrage pour sécuriser les flexibles d'aspiration et de refoulement aux raccords cannelés de façon à éviter toute fuite (Figure 5c, page 5).
7. Poser le support de godet de pistolet et le godet de pistolet (Figure 9a à 9c).
8. Enfiler le support de godet de pistolet dans la rainure sur le dessus du plateau-support pour fût. Utiliser un serre-câble pour attacher le support au plateau (Figure 9a).
9. Insérer le godet de pistolet dans le support de pistolet et l'enclencher dans l'ouverture.
10. Remplir à moitié d'eau pour empêcher la cristallisation du FED dans le pistolet (Figure 9c).



Câblage électrique

⚠ AVERTISSEMENT

Le câblage électrique doit être exécuté **UNIQUEMENT** par un électricien qualifié en conformité avec le code de l'électricité en vigueur, NEC/ANSI/NFPA-70, NFPA 30 et NFPA 30A, comme il se doit en fonction de l'utilisation prévue de la pompe. La pompe doit être correctement reliée à la terre. Une installation ou une utilisation incorrecte de cette pompe peut entraîner des blessures corporelles graves ou la mort!

⚠ ATTENTION

La pompe doit être utilisée sous sa tension nominale. L'alimentation doit être fournie à la pompe par l'intermédiaire d'un disjoncteur de 15 A. Aucun autre appareil ne doit être alimenté par ce circuit électrique. Le câblage doit être de section suffisante pour transporter le courant nécessaire à la pompe. La chute de tension varie en fonction de la distance à la pompe et de la section du câble; voir les compensations de chute de tension dans le NEC (National Electric Code) ou dans les codes locaux et vérifier que le câble utilisé est de section correcte pour l'application.

⚠ AVERTISSEMENT

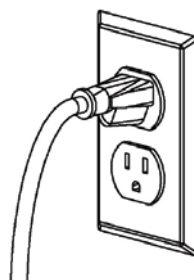
Vérifier que l'interrupteur d'alimentation est en position d'arrêt avant le raccordement à la source d'alimentation (CA ou CC) afin d'éviter un démarrage intempestif du moteur. Un démarrage inattendu du moteur peut provoquer une décharge imprévue de liquide, ce qui présente un danger potentiel.

Raccordement de l'alimentation CA

⚠ AVERTISSEMENT

CE PRODUIT DOIT ÊTRE RELIÉ À LA TERRE! NE PAS rendre la broche de terre inopérante par l'emploi d'un adaptateur ou par une quelconque modification de la fiche. **NE PAS** brancher cet appareil sur une prise de courant non reliée à la terre.

Les pompes à courant alternatif (CA) sont fournies précâblées pour une alimentation de 120 Vca, 60 Hz. Ces pompes sont équipées d'une fiche 3 broches traditionnelle de 120 Vca avec terre qui peut être branchée dans toute prise de courant traditionnelle reliée à la terre. Pour assurer la sécurité et le bon fonctionnement, ne pas supprimer ni contourner que quelque façon la broche de terre.



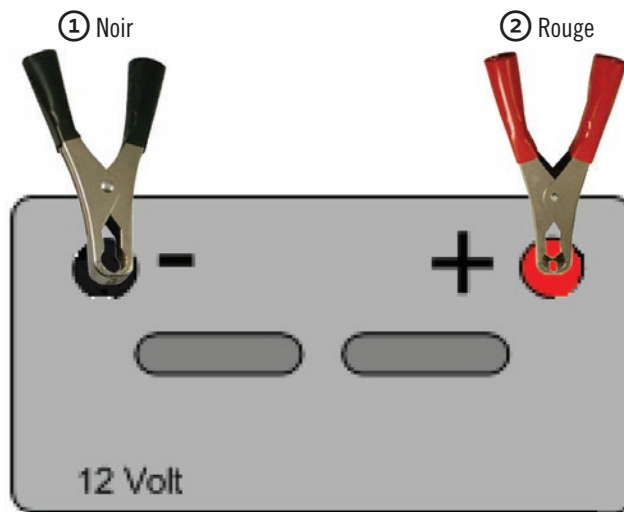
Raccordement de l'alimentation CC

Contrôler le câble d'alimentation électrique avant chaque utilisation!
Tout dommage à la gaine extérieure qui expose les conducteurs nécessite le remplacement du câble.

Le câble est équipé de pinces noire et rouge.

1. Raccorder la pince noire (négative) à la borne négative de la source de courant continu.
2. Raccorder la pince rouge (positive) à la borne positive en dernier.

Les pinces doivent être débranchées en sens inverse.



Fonctionnement de la pompe

ATTENTION

La pompe à FED Fill-Rite a un cycle d'exploitation de 30 minutes. Au bout d'un cycle de 30 minutes de fonctionnement en continu, mettre la pompe à l'arrêt pendant 30 minutes afin d'écartier les risques de dommages au moteur de la pompe.

ATTENTION

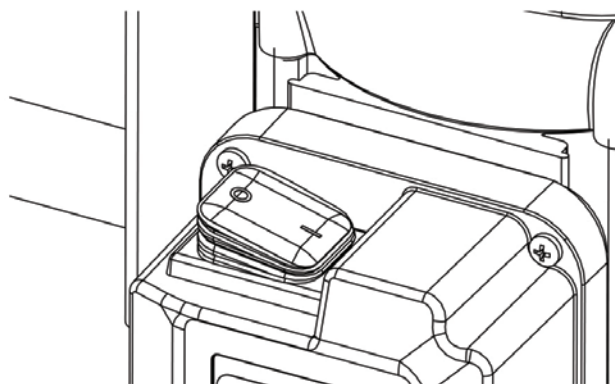
NE PAS faire fonctionner la pompe pendant plus de 3 minutes sans distribuer de fluide. Les durées de fonctionnement étendues sans distribution de fluide peuvent endommager la pompe.

ATTENTION

Avant de faire fonctionner la pompe, prendre un moment pour s'assurer que tout est prêt. Ne pas poursuivre avant d'avoir vérifié ce qui suit :

- Vérifier que l'interrupteur d'alimentation est en position d'arrêt (0)
- Vérifier que la gaine de pistolet est propre et exempte de corps étrangers et qu'elle est suffisamment profonde pour couvrir l'embout du pistolet
- Contrôler l'embout du pistolet pour s'assurer qu'il est propre et exempt de corps étrangers et de FED cristallisé
- Vérifier que les flexibles et le raccordement au tube d'aspiration ne présentent pas de pincements ni autres restrictions
- Vérifier qu'il y a suffisamment de FED dans le réservoir d'alimentation pour faire fonctionner la pompe

1. Raccorder la pompe à l'alimentation électrique qui convient (120 Vca = prise murale / 12 Vcc = batterie ou alimentation à courant continu).
2. Mettre l'interrupteur d'alimentation de la pompe en position de marche (I).
3. Retirer le pistolet du godet de pistolet et placer l'embout du pistolet dans le réservoir ou le récipient à remplir.
4. Actionner la gâchette du pistolet pour distribuer le fluide jusqu'à ce que la quantité souhaitée de fluide ait été distribuée.
5. Relâcher la gâchette du pistolet et remettre le pistolet dans son godet (s'assurer que le gode contient suffisamment de liquide pour immerger l'embout du pistolet comme illustré dans la Figure 9c à la page 6).
6. Mettre la pompe à l'arrêt et enrouler le flexible de refoulement sur son crochet.



Guide de dépannage

Le guide de dépannage qui suit a pour objet d'offrir un diagnostic de base dans l'éventualité d'un fonctionnement anormal de ce produit Fill-Rite. Les réparations peuvent généralement se faire à l'aide de simples outils à main en suivant les informations de diagnostic ci-dessous.



NE PAS ouvrir ni tenter de réparer le moteur de la pompe Fill-Rite. Le renvoyer au lieu d'achat pour réparation. L'ouverture du carter de moteur compromet l'intégrité de sa structure et annule toute garantie existante.



Avant toute opération d'entretien ou de réparation, s'assurer que toute alimentation de la pompe a été coupée et qu'elle est débranchée de sa source d'alimentation.



S'assurer que le circuit de FED reste fermé de façon étanche durant toute opération d'entretien ou de réparation de la pompe. Le FED cristallise au contact de l'air, ce qui peut provoquer des problèmes dans la pompe, et l'ouverture du circuit peut présenter un risque de contamination du FED.

Symptôme	Cause	Remède
Le pompe ne s'amorce pas	<ol style="list-style-type: none"> 1. Problème de conduite d'aspiration 2. Coupleur de circuit fermé pas correctement engagé 3. Soupape de dérivation ouverte / grippée 4. Sortie obstruée 	<ol style="list-style-type: none"> 1. Vérifier l'absence de fuite et restriction/pincement sur la conduite d'aspiration; celle-ci peut être trop petite, trop longue ou non étanche. RPV non bloqué. 2. RPV ou coupleur semblable par correctement engagé. Voir les instructions du fabricant du coupleur. 3. Déposer et contrôler la soupape (page 10, rep. 24); elle doit bouger librement et être propre. 4. Voir si le refoulement de la pompe, le flexible, le pistolet ou le filtre sont obstrués.
La pompe tourne lentement	<ol style="list-style-type: none"> 1. Tension incorrecte 2. Problème de moteur 	<ol style="list-style-type: none"> 1. Check incoming line voltage while pump is running. 2. Renvoyer au lieu d'achat.
Le moteur cale	<ol style="list-style-type: none"> 1. Soupape de dérivation grippée 2. Tension insuffisante 3. Restriction de l'aspiration 4. Débris dans la cavité de la pompe 5. Panne de moteur 	<ol style="list-style-type: none"> 1. Déposer et contrôler la soupape (page 10, rep. 24); elle doit bouger librement et être propre. 2. Contrôler la tension d'alimentation à l'entrée durant la marche de la pompe. 3. Démontez et nettoyez la conduite d'aspiration. 4. Nettoyer les débris de la cavité de la pompe. 5. Renvoyer au lieu d'achat.
Le moteur ne fonctionne pas	<ol style="list-style-type: none"> 1. Pas de courant 2. Défaillance de l'interrupteur 3. Panne de moteur 4. Câblage incorrect / desserré 	<ol style="list-style-type: none"> 1. Vérifier l'entrée d'alimentation / le fusible (CC) / le disjoncteur (CA). 2. Renvoyer au lieu d'achat. 3. Renvoyer au lieu d'achat. 4. Vérifier le câblage et les raccordements.
Fuite de liquide	<ol style="list-style-type: none"> 1. Joint torique défectueux 2. Fluide incompatible 3. Visserie desserrée 	<ol style="list-style-type: none"> 1. Contrôler tous les joints toriques. 2. UTILISER UNIQUEMENT avec du FED ou de l'eau. 3. Resserer la visserie.
Peu ou pas de débit	<ol style="list-style-type: none"> 1. Bas niveau dans le réservoir 2. Aspiration requise excessive 3. Pompe fonctionnant en dérivation 4. Soupape de dérivation ouverte 5. Pénétration d'air du côté aspiration 6. Restriction de la conduite d'aspiration 	<ol style="list-style-type: none"> 1. Remplir le réservoir. 2. Conduite d'aspiration de diamètre 3/4 po minimum ne dépassant pas la hauteur nominale d'aspiration. Conduite d'aspiration à 5 cm (2 po) du fond du réservoir. 3. Utiliser un flexible de refoulement plus court ou de plus grand diamètre. 4. Déposer et contrôler la soupape (page 10, rep. 24); elle doit bouger librement et être propre. 5. Vérifier les joints et raccords du côté aspiration. 6. Utiliser du tuyau adapté à la pression d'aspiration.

Guide de dépannage (a continué)

<p>Peu ou pas de débit (suite)</p>	<ol style="list-style-type: none"> 7. Vitesse de rotation basse 8. Tube d'aspiration reposant sur le fond du réservoir 9. Pompe ou moteur gelés 10. Fuites dans la tuyauterie de sortie de la pompe 11. Soupape de dérivation ouverte / grippée 12. Cristallisation dans la cavité de la pompe 13. Clapet antiretour grippé 14. Cuve / fût / réservoir mal mis à l'air 	<ol style="list-style-type: none"> 7. Contrôler la tension aux bornes de la pompe. Ajuster la tension ou utiliser des câbles de plus grand calibre. 8. Modifier le tube d'aspiration pour corriger la longueur. 9. Dégeler la pompe et vérifier l'absence de dommages. Le démarrage d'une pompe gelée peut endommager le moteur et la pompe. 10. Vérifier l'étanchéité du raccordement à la pompe et l'absence de dommages. 11. Déposer et contrôler la soupape (page 10, rep. 24); elle doit bouger librement et être propre. 12. Purger et nettoyer la pompe. 13. Déposer et contrôler le clapet (page 10, rep. 27 et 31); il doit bouger librement et être propre. 14. Aérer le système comme il se doit.
<p>Pompe bruyante</p>	<ol style="list-style-type: none"> 1. Fonction de dérivation irrégulière 2. Présence d'air dans le liquide pompé 	<ol style="list-style-type: none"> 1. Déposer et contrôler la soupape (page 10, rep. 24); elle doit bouger librement et être propre. 2. Vérifier les raccordements d'aspiration et la conduite d'aspiration. Purger l'air du système.
<p>Le pistolet automatique fonctionne mal</p>	<ol style="list-style-type: none"> 1. Cristallisation dans l'embout du pistolet 2. Débit trop élevé 	<ol style="list-style-type: none"> 1. Tremper l'embout dans de l'eau tiède. 2. Réduire le débit par un réglage inférieur du blocage sur la poignée.

Pièces et trousse

Un large éventail de pièces et de trousse est proposé pour permettre l'entretien et compléter l'équipement du système pour FED Fill-Rite. Pour assurer son bon fonctionnement et sa durabilité, veiller à toujours utiliser des pièces d'origine Fill-Rite pour l'entretien du système pour FED. Les pages suivantes contiennent des informations sur les trousse de pièces; des renseignements supplémentaires sont également disponibles en ligne à fillrite.com. Vous pouvez également consulter notre support technique de classe mondiale au 1 (800) 720-5192 ou par e-mail à FillRiteTech@fillrite.com (M-F, 8 AM - 5 PM HE).

AVIS

Veiller à toujours avoir le numéro de modèle, le numéro de série et la date d'achat à disposition lors de la commande de trousse et pièces de rechange pour la pompe à FED Fill-Rite.

ATTENTION

Toujours porter une tenue de protection et un équipement de sécurité pour travailler avec du fluide d'échappement diesel. Même les petites quantités auxquelles on peut être exposé durant l'entretien de la pompe peuvent s'avérer caustiques et nocives!

Le numéro de série du système pour FED Fill-Rite se trouve sur la pompe. Le numéro de série est placé sur l'avant de la pompe, au bas du corps de pompe (Figure 10). Il s'agit du numéro situé au-dessus du terme « FLOW ». Se reporter à l'information sur la nomenclature à la page 4 pour décoder les particularités des composants inclus dans le système.

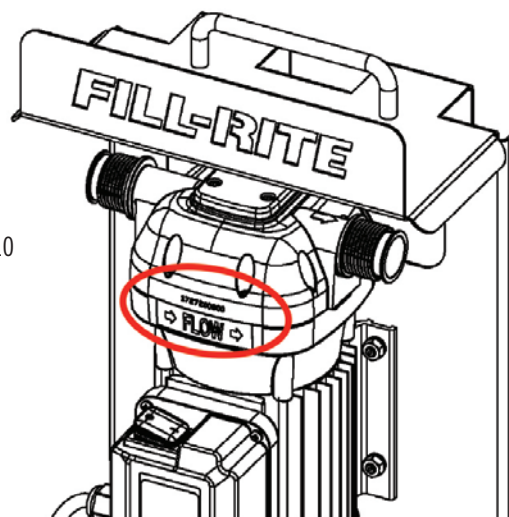
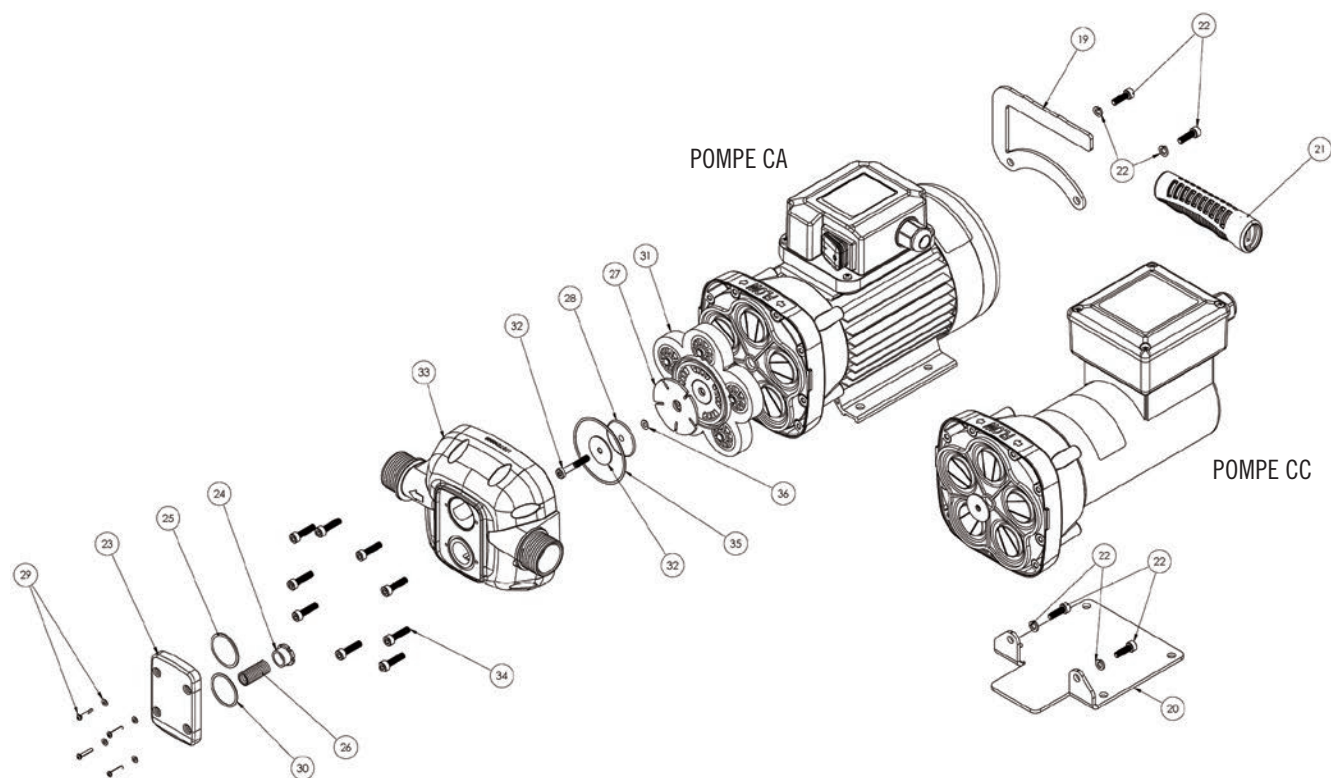


Figure 10

Pièces et trousse (a continué)

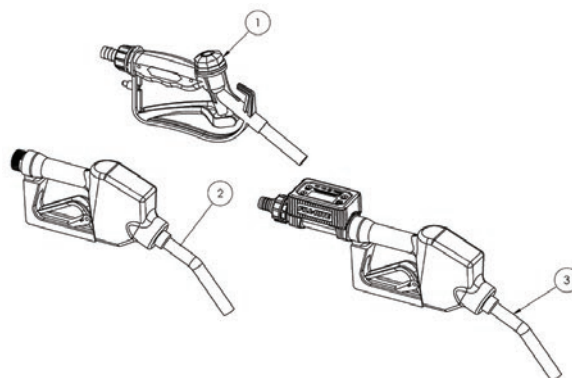


Trousse	Description	Qté	Rep.
KITDFHF Support de recharge pour pompe CC	Poignée métallique	1	19
	Pied métallique	1	20
	Prise caoutchouc	1	21
	Visserie de fixation	12	22
KITDFPK Pièces de rechange pour pompe à FED	Champignon de dérivation	1	24
	Amortisseur de sortie	1	25
	Ressort de dérivation	1	26
	Clapet à battant	1	27
	Rondelle de clapet à battant	1	28
	Visserie de fixation de dérivation	4	29
	Joint de dérivation	1	30
	Clapet antiretour complet	1	31
	Vis de fixation de clapet antiretour	1	32
	Joint de clapet antiretour	1	35
	Joint de moteur	1	36

Pièces et trousse (a continué)

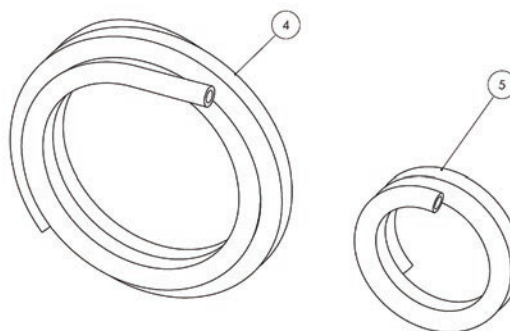
Pistolets

Trousse	Description	Rep.
FRDFM075C	Pistolet à FED manuel	1
FRDFA075B	Pistolet à FED automatique	2
KITDFMN	Pistolet à FED automatique à compteur	3



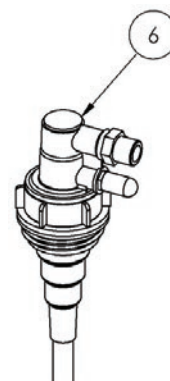
Flexibles

Trousse	Description	Rep.
KITDFH20	Flexible de refoulement, 6 m (20 pi)	4
KITDFH05	Flexible d'aspiration, 1,5 m (5 pi)	5



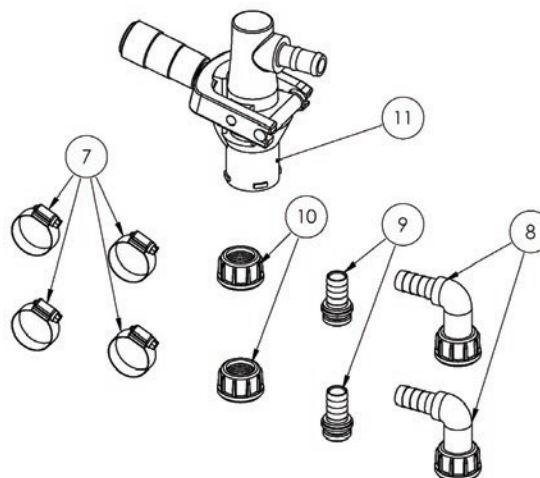
Tubes d'aspiration

Trousse	Description	Rep.
KIT180DTPS	Tube d'aspiration à raccord cannelé 3/4 po	6

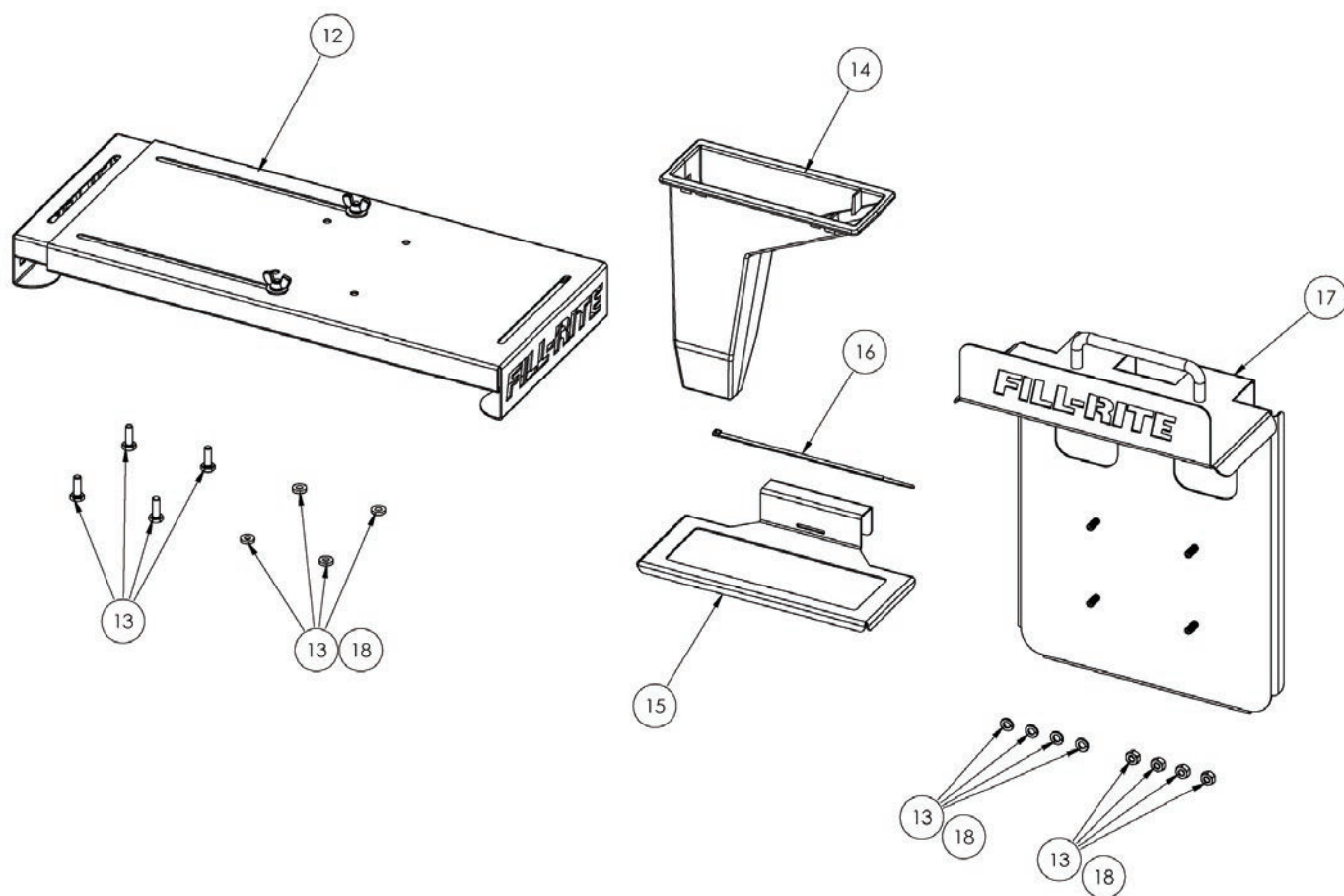


Raccords

Trousse	Description	Rep.
KITDFFK 3/4in DEF Hose Barb Kit	Colliers de serrage	7
	Raccords coudés	8
	Raccords cannelés droits	9
	Écrous pour raccords cannelés droits	10
MMNM075RPV	Coupleur RPV 4 broches, non métallique	11



Pièces et trousse (a continué)



Trousse	Description	Qté	Rep.
KITDFDB Trousse support pour fût FED	Support pour fût réglable Fill-Rite	1	12
	Visserie de fixation	16	13
	Godet de pistolet en plastique	1	14
	Support de godet de pistolet	1	15
	Serre-câble	1	16
KITDFCB Trousse support pour réservoir portatif/IBC Fill-Rite	Support pour réservoir portatif/IBC Fill-Rite	1	17
	Visserie de fixation	12	18
	Godet de pistolet en plastique	1	14
	Support de godet de pistolet	1	15
	Serre-câble	1	16
KITDFNB Trousse godet de pistolet	Godet de pistolet en plastique	1	14
	Support de godet de pistolet	1	15
	Serre-câble	1	16

Accessoires FED

Fill-Rite propose un large éventail de produits pour la manutention du fluide d'échappement diesel. Compteurs, pistolets, pompes manuelles, il y a un produit Fill-Rite pour répondre à tout besoin en matière de FED. Pour de plus amples renseignements, s'adresser au distributeur ou visiter notre site Web à fillrite.com.

Réf. pièce	Description
FRNS075A	Pistolet DEF auto supérieur (corps en acier inoxydable)
MMSS075RSV	Coupleur de distribution RSV en acier inoxydable
MMSS075EPV	Coupleur de distribution EPV en acier inoxydable
TT10P	Compteur à turbine Tuthill
TS06C	Compteur poids et mesures
825/825P	Compteur à disque oscillant
FR1118P	Compteur en ligne
FRHP32V	Pompe à FED manuelle
FRAP32V	Pompe à FED pneumatique
SP100-05N-PP-SSS	AODD (pneumatique à deux membranes) 1/2 po polypropylène / Santoprene
SP100-10F-PP-SSS	AODD (pneumatique à deux membranes) 1 po polypropylène / Santoprene

Information technique

Moteur	CA	CC
Alimentation	120V-ca	12V-cc
Fréquence	60 Hz	s.o.
Puissance nominale	1/4 HP	1/4 HP
Longueur du cordon d'alimentation	1,8 m (6 pi)	6.1 m (20 pi)
Calibre du cordon d'alimentation	16 / 3	14 / 2
Intensité maximale admissible	2,4 A	22 A
Régime	3400 tr/min	2800 tr/min
Cycle d'exploitation	30 min de marche / 30 min d'arrêt	30 min de marche / 30 min d'arrêt
Protection thermique	Oui	Non
Protection de circuit	s.o.	Fusible 25 A
Certifications (réglementaires)	s.o.	s.o.

Pompe	
Type	Membrane plateau oscillant
Débit dans la configuration fournie (flexible et buse)	30 l/min (8 gal/min)
Débit libre	38 l/min (10 gal/min)
Pression de dérivation nominale (max)	38 psi
Certifications (réglementaires)	s.o.
Aspiration sèche	152 mmHg (6 poHg)
Matériaux mouillés	Nylon, EPDM, acier inoxydable, Santoprene
Liquides compatibles	Fluide d'échappement diesel, eau

Instructions d'entretien

REMARQUE : Tous les numéros de repère renvoient à l'illustration des pièces de pompe CA et CC à la page 11.

Outillage nécessaire

- Embout hexagonal M4
- Embout hexagonal M3
- Embout Philips n°1
- Visseuse ou tournevis porte-embouts
- Pince à bec fin

Nettoyer / contrôler la dérivation

1. Ouvrir le capot de dérivation (rep. 23) à l'aide d'un tournevis à embout Philips n° 1 pour déposer les vis et les rondelles (rep. 29).

REMARQUE : Le capot de dérivation est repoussé hors du corps de pompe (rep. 33) par le ressort une fois que les vis sont retirées.

2. Une fois que les vis et les rondelles de la dérivation sont retirées, vérifier soigneusement le bon état et la propreté du joint torique de dérivation (rep. 30) et de l'amortisseur de sortie (rep. 25).
3. Retirer le ressort de dérivation (rep. 26) de la cavité de dérivation.
4. À l'aide d'une pince à bec fin, extraire le champignon de dérivation (rep. 24) de la cavité de dérivation et contrôler le bon état et la propreté du champignon et de la cavité de dérivation.
5. Inverser l'ordre de démontage pour remettre la dérivation en service.

REMARQUE : Vérifier que tous les joints sont correctement en place avant de serrer la visserie de fixation du capot de dérivation.

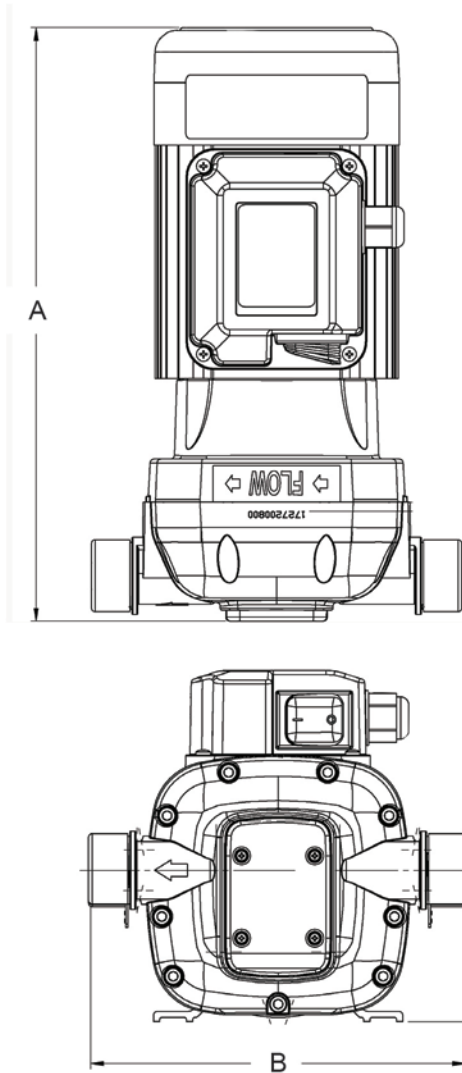
Nettoyer / contrôler la chambre à fluide

1. Ouvrir la chambre à fluide à l'aide d'un embout hexagonal M4 monté dans une visseuse ou un tournevis porte-embouts pour retirer les neuf vis de fixation (rep. 34) du corps de pompe.
2. Une fois que les vis sont retirées, séparer le corps de pompe du moteur.
3. Contrôler la propreté et le bon état du clapet à battant (rep. 27) et des cinq clapets antiretour noirs dans rep. 31.
4. Pour poursuivre le contrôle, utiliser un embout hexagonal M3 monté dans une visseuse ou un tournevis porte-embouts pour retirer la vis de fixation (rep. 32) du clapet antiretour.
5. Dégager les rondelles de fixation de clapet antiretour (rep. 28 et 32) et le clapet à battant (rep. 27) du moteur. Vérifier que le petit joint torique du moteur (rep. 36) est propre/en bon état et toujours monté sur la vis de fixation de clapet antiretour (rep. 32).
6. Contrôler soigneusement la propreté et le bon état du clapet à battant (rep. 27).
7. Dégager l'ensemble à clapets antiretour (rep. 31) du moteur et vérifier la propreté à l'intérieur. Contrôler la propreté et le bon état de chacun des cinq clapets antiretour noirs du rep. 31.
8. Une fois l'évaluation de l'état et la propreté terminée, inverser l'ordre de démontage pour remettre les clapets antiretour et le corps de pompe en service.

REMARQUE : Réaligner le clapet à battant (rep. 27) de façon à couvrir tous les orifices de clapet antiretour de l'ensemble à clapets (rep. 31).

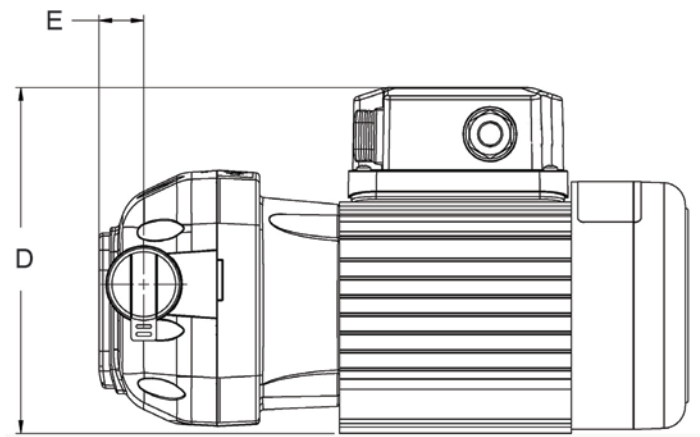
REMARQUE : Vérifier que tous les joints sont correctement en place avant de serrer la visserie.

Données dimensionnelles

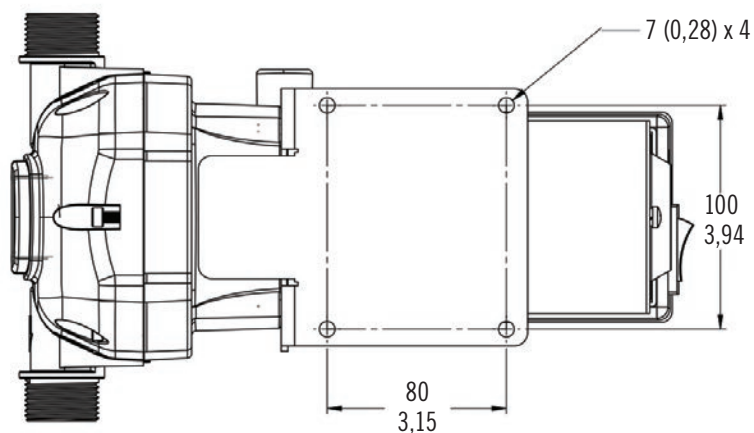


Dimension	Pompe CA	Pompe CC
A	295 mm / 11,6 po	318 mm / 12,5 po
B	183 mm / 7,2 po	183 mm / 7,2 po
C	74 mm / 2,9 po	74 mm / 2,91 po
D	17 mm / 6,7 po	183 mm* / 7,2 po*
E	23 mm / 0,9 po	23mm / 0,9 po

* La hauteur hors tout comprend la poignée de transport (modèles CC seulement - non illustrée)



Support de montage



FILL-RITE[®]

A GORMAN-RUPP COMPANY

Fill-Rite Company
8825 Aviation Drive
Fort Wayne, Indiana 46809 USA

T 1 (800) 720-5192
F 1 (260) 747-7524
F 1 (800) 866-4681



fillrite.com | sotera.com | gormanrupp.com

FILL-RITE DEF™

BOMBA DE TRANSFERENCIA DE DEF SERIE DF

Manual de instalación y operación



MADE IN 
USA
WITH GLOBAL MATERIALS


GORMAN-RUPP
COMPANY

Índice

Gracias!	2
Acerca de este manual	2
Símbolos y definiciones	2
Información de seguridad	3
Sobre el líquido de escape diesel	3
Nomenclatura del modelo	4
Instalación	4
Instalación de contenedor IBC y tanque de transferencia	4
Instalación de tambor y barril	5
Cableado eléctrico	6
Conexión de alimentación de CA	6
Conexión de alimentación de CC	7
Funcionamiento de la bomba	7
Guía de solución de problemas	8
Piezas y juegos	9
Accesorios DEF	13
Información técnica	13
Instrucciones de mantenimiento	14
Información de dimensiones	15
Soporte de montaje	15

¡Gracias!

Gracias por adquirir una bomba de DEF de la serie DF. Su producto Fill-Rite® cuenta con más de 80 años de experiencia en la fabricación de bombas, lo que le brindará el valor de un rendimiento superior, un diseño fácil de usar, una resistencia excepcional y un diseño de ingeniería simple y resistente. Protéjase a sí mismo y a los que lo rodean observando todas las instrucciones de seguridad y respetando todos los símbolos de peligro, advertencia y precaución. Guarde estas instrucciones para referencia futura y registre el modelo, el número de serie y la fecha de compra de su bomba Fill-Rite. Registre su producto Fill-Rite a través de info.fillrite.com/product_registration.

IMPORTANTE POLÍTICA DE DEVOLUCIÓN

Por favor, no devuelva este producto a la tienda. Para todas las preguntas sobre la garantía y el producto, comuníquese con el Soporte técnico al 1 (800) 720-5192 o por correo electrónico a FillRiteTech@fillrite.com (de lunes a viernes, de 8 a. m. a 5 p. m., hora del Este).

N.º DE MODELO	
N.º DE SERIE	
FECHA DE COMPRA:	

FILL-RITE
A GORMAN-RUPP COMPANY

Acerca de este manual

Desde el concepto inicial hasta el producto final, su bomba Fill-Rite se fabrica para darle años de servicio sin ningún problema. Para garantizar que proporcione dicho servicio, y evitar lesiones o la muerte, es fundamental que lea por completo este manual antes de intentar instalar u operar su nueva bomba. Familiarícese con los términos y diagramas, y preste mucha atención a las áreas destacadas con las siguientes etiquetas:

Símbolos y definiciones



Destaca un área en que sí se producirán lesiones corporales e incluso la muerte si no se siguen las instrucciones de manera adecuada. También se pueden producir daños mecánicos.



Destaca un área en que **puede** que se produzcan lesiones corporales e incluso la muerte si no se siguen las instrucciones de manera adecuada. También se pueden producir daños mecánicos.



No prestar atención al aviso de "Precaución" podría provocar daños al equipo.

AVISO

Estos cuadros contienen información que ilustra un punto que podría ahorrar tiempo, ser clave para la operación adecuada o que aclara un paso.

Información de seguridad

⚠ PELIGRO

El cableado eléctrico se debe realizar con extremo cuidado y debe cumplir con los códigos de electricidad locales, estatales y nacionales NEC/ANSI/NFPA 70, NFPA 30 y NFPA 30A, según corresponda para el uso que se le dará a la bomba. La bomba debe estar debidamente conectada a tierra. Si no se instala de acuerdo con este manual, un electricista con licencia debe realizar la instalación. La instalación o el uso incorrectos de este producto podrían provocar lesiones corporales graves o la muerte.

⚠ PELIGRO

Para garantizar una operación segura y adecuada de su equipo, es fundamental leer y cumplir todas las siguientes precauciones y advertencias de seguridad. Si no sigue las siguientes instrucciones o si la instalación o el uso de este producto son incorrectos, se provocarán lesiones corporales graves o la muerte.

- NO use la bomba cerca de líquidos inflamables. Se puede producir un incendio.
- Este producto no se debe utilizar para transferir líquidos a ningún tipo de aeronave.

⚠ ADVERTENCIA

Las juntas de tuberías roscadas y las conexiones se deberían sellar con un sellador adecuado o cinta selladora para minimizar las posibilidades de filtraciones. La fuga de líquidos puede provocar un peligro.

⚠ ADVERTENCIA

En las bombas de DEF Fill-Rite equipadas con motores de CA, el motor de la bomba cuenta con una protección de sobrecarga térmica. Si se sobrecalienta, el motor se desactivará para evitar causar daños a los devanados. Si esto sucede, **¡APAGUE LA BOMBA!** Cuando el motor se enfríe, se reiniciará sin advertir si la energía está encendida.

⚠ PRECAUCIÓN

Este producto no es adecuado para su uso con líquidos previstos para consumo humano. Los materiales de construcción no son de grado alimentario.

Sobre el líquido de escape diesel (DEF / AdBlue)

La bomba de DEF de Fill-Rite está diseñada para bombear solución acuosa de urea al 32.5 % (AUS32), mejor conocida como líquido de escape diesel, "DEF" por sus siglas en inglés, o "AdBlue".

DEF / AdBlue se utiliza en motores diesel modernos que cuentan con un sistema de reducción catalítica selectiva (SCR, por sus siglas en inglés). La idea errónea común es que esto es un aditivo para el combustible, pero el líquido DEF o AdBlue nunca entra en contacto con el este. DEF / AdBlue se transporta en el vehículo en su propio tanque de almacenamiento. Se inyecta en los gases de escape como un proceso poscombustión, mediante una SCR, en donde descompone las peligrosas emisiones de óxido de nitrógeno (NOx) principalmente en nitrógeno y oxígeno.

Debido a que la pureza específica de DEF / AdBlue es fundamental para la reacción catalítica, la bomba de DEF de Fill-Rite está diseñada para mantener la integridad usando componentes fabricados de materiales que no contaminen ni alteren la estructura química de las soluciones.

AVISO

Para mantener la pureza de DEF / AdBlue, es importante que el sistema de dispensación sea uno sellado o de "bucle cerrado". DEF / AdBlue se cristalizará al entrar en contacto con el aire, de tal manera que contar con recipientes, tuberías y equipos sellados y una boquilla dispensadora sumergida en agua es primordial para mantener la integridad de la solución DEF / AdBlue.

AVISO

Luego del montaje y la instalación iniciales, purgue todo el sistema de dispensación bombeando de 19 a 38 litros (5 a 10 galones de EE. UU.) de DEF a través de éste. Esto purga el sistema de aire y asegura que se elimine cualquier impureza que pueda haber en el sistema. Deseche el DEF usado para purgar el sistema con procedimientos de manejo de DEF aprobados. No devuelva el líquido al tambor o al recipiente de transferencia ni lo use en un vehículo.

⚠ ADVERTENCIA

Para garantizar una operación segura y adecuada de su equipo, es fundamental leer y cumplir todas las siguientes precauciones y advertencias de seguridad.

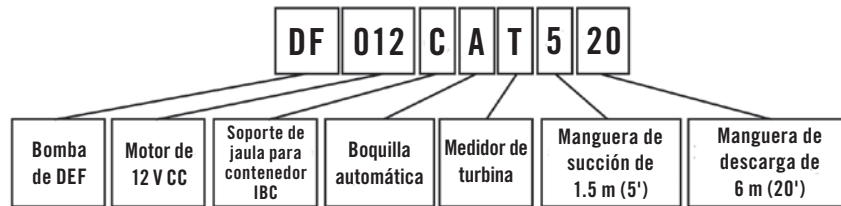
- La instalación o el uso incorrectos de este producto pueden provocar lesiones corporales graves o la muerte.
- Es fundamental mantener la pureza del líquido de escape diesel, por lo tanto, es imprescindible que una vez que se monte el sistema, este permanezca sellado para garantizar la integridad del líquido. Si se rompe el sello del sistema, se puede contaminar el líquido.
- Luego de dispensar el DEF, asegúrese de drenar todo el líquido de la boquilla y que apunte hacia abajo con su punta sumergida en agua cuando esté en la envoltura de boquilla. El líquido DEF que quede en la punta de la boquilla y que esté expuesto al aire se cristalizará y puede taponar la boquilla.
- **NO** deje la boquilla dispensadora en el suelo ni en ninguna superficie que pueda contaminar la punta de la boquilla, ya que puede comprometer la pureza del DEF.
- Las roscas de entrada y de salida son tipo BSPP y se sellan contra juntas tóricas, por lo que no se requiere un sellador especial.
- Los tanques de almacenamiento deben estar correctamente anclados para evitar su desplazamiento o volcamiento cuando estén llenos o vacíos.
- En las bombas de DEF Fill-Rite equipadas con motores de CA, el motor de la bomba cuenta con una protección de sobrecarga térmica. Si se sobrecalienta, el motor se desactivará para evitar causar daños a los devanados. Si esto sucede, **¡APAGUE LA BOMBA!** Cuando el motor se enfríe, se reiniciará sin advertir si la energía está encendida.

Nomenclatura del modelo

Los sistemas de dispensación de DEF Fill-Rite se ofrecen en una amplia variedad de juegos preenvasados. Los números de modelo indican el contenido de los juegos. Consulte la siguiente tabla para determinar la bomba y los accesorios que se incluyen en su juego.

DF (DEF)	XXX (Potencia del motor)	X (Config. de montaje)	X (Boquilla)	X (Medidor)	X (Succión)	XX (Descarga)	XX (Accesorios adicionales)							
Sistema de dispensación de DEF Fill-Rite	012	Bomba de 120 V CC	N	Solo bomba	A	Boquilla automática	N	Sin medidor	5	Manguera de succión de 1.5 m (5')	20	6 m (20') Manguera de descarga		
	120	Bomba de 120 V CA	D	Soporte de jaula para contenedor IBC	M	Boquilla manual	T	Medidor de turbina						
			C	Soporte de tambor										

Mediante el uso de esa tabla se desprende el siguiente número de ejemplo DF012CAT520:



Instalación

Si su bomba viene incluida en un sistema, independientemente de que sea alimentada por CA o CC, vendrá premontada en un soporte de montaje para tanque de transferencia y contenedor IBC o en uno para tambor. Ambos sistemas están diseñados para un rápido montaje y desmontaje de tanques de transferencia y contenedores IBC o de tambores estándar desde 114 a 208 litros (30 a 55 galones). Ambos sistemas permiten una conexión segura, un almacenamiento de mangueras y boquillas y una conexión de líquidos simple.

Las instalaciones solo de bombas se pueden montar firmemente con el soporte de base en la parte inferior de la bomba. Las dimensiones de los orificios de montaje se indican en la página 15.

Instalación de contenedor IBC y tanque de transferencia

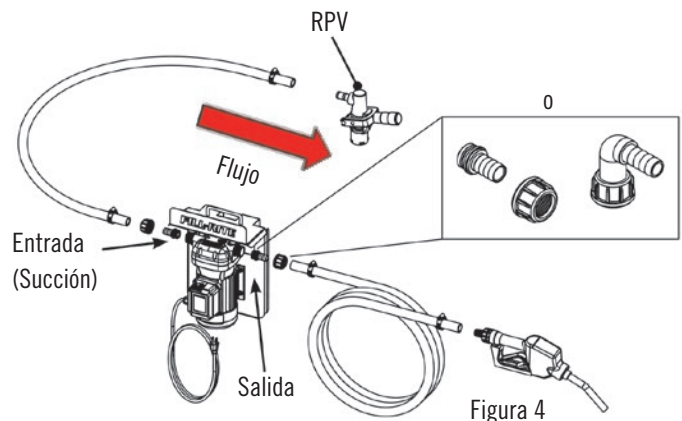
AVISO

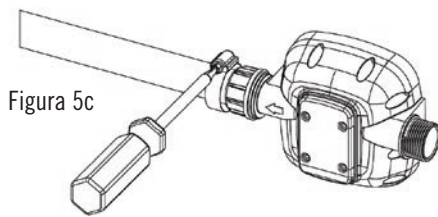
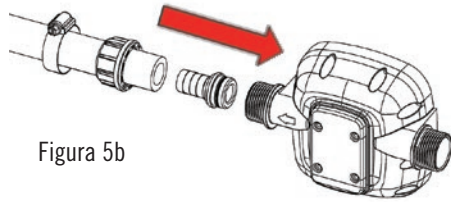
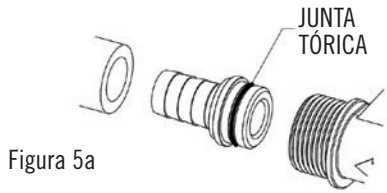
Luego del montaje y la instalación iniciales, purgue todo el sistema de dispensación bombeando de 19 a 38 litros (5 a 10 galones de EE. UU.) de DEF a través de éste. Esto purga el sistema de aire y asegura que se elimine cualquier impureza que pueda haber en el sistema. Deseche el DEF usado para purgar el sistema con procedimientos de manejo de DEF aprobados. No devuelva el líquido al tambor o al recipiente de transferencia ni lo use en un vehículo.

ADVERTENCIA

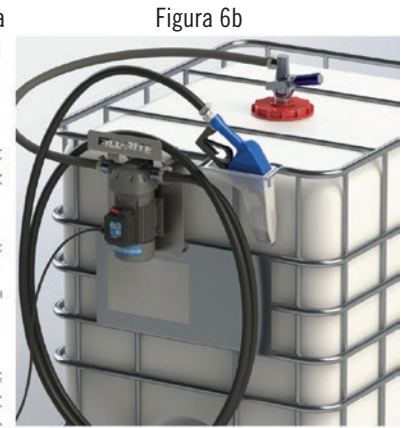
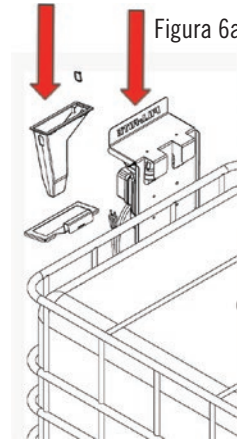
NO apriete en exceso los collarines roscados que sellan los conectores acanalados en los puertos de entrada y salida de la bomba. El diseño cuenta con roscas BSPP y sellos de junta tórica que no requieren demasiado apriete para proporcionar un sello hermético e impermeable.

1. Cuelgue el soporte de bomba en el contenedor IBC.
2. Instale la manguera de succión en el lado de succión de la bomba con los conectores para conexión acanalada y abrazadera de manguera (Figura 4). El lado de succión es el izquierdo cuando se mira hacia la bomba montada.
3. Instale el extremo opuesto de la manguera de succión hacia el dispositivo de succión de bucle cerrado con los conectores adecuados (los modelos DF120CAT520, DF012CAT520, DF120CAN520-RP, and DF012CAN520-RP incluyen un RPV para conectar) (Figura 4).
4. Instale la manguera de descarga con la boquilla en el lado de descarga de la bomba con los conectores para conexión acanalada y la abrazadera de manguera incluidos (Figura 4).
5. Apriete cada abrazadera de manguera para fijar las mangueras de succión y descarga en todos los conectores para conexión acanalada y evitar fugas de líquido (Figura 5a hasta 5c).





6. Enganche el soporte de la boquilla en la jaula para contenedor IBC en a ubicación preferida. Fíjelo a la jaula con la correa de amarre incluida (Figura 6a).
7. Inserte el depósito de boquilla en el soporte de boquilla y encájelo a presión en la abertura. Agregue agua en el depósito para evitar la cristalización de urea en la boquilla (Figura 6a).
8. Enrolle la manguera de descarga alrededor del soporte de la bomba detrás del reborde Fill-Rite. La instalación final debe verse como la imagen a continuación (Figura 6b):



Instalación de tambor y barril

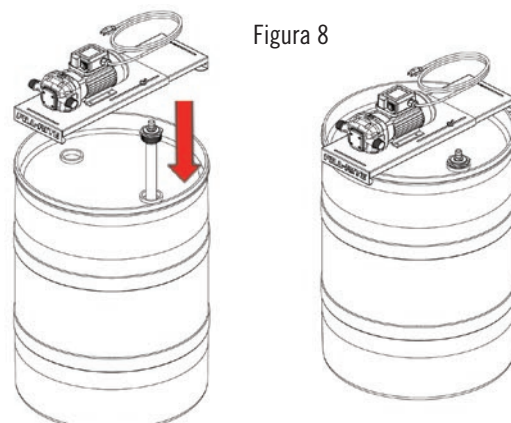
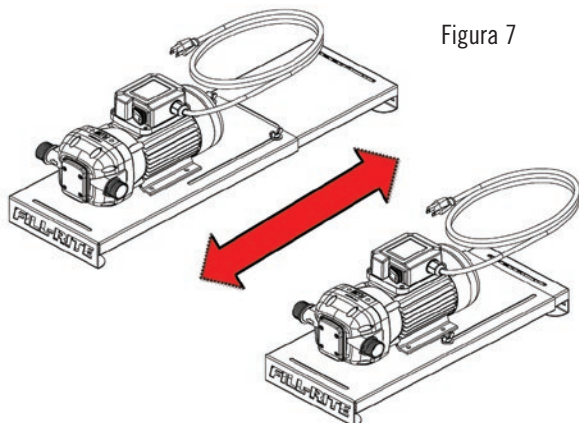
AVISO

Luego del montaje y la instalación iniciales, purgue todo el sistema de dispensación bombeando de 19 a 38 litros (5 a 10 galones de EE. UU.) de DEF a través de éste. Esto purga el sistema de aire y asegura que se elimine cualquier impureza que pueda haber en el sistema. Deseche el DEF usado para purgar el sistema con procedimientos de manejo de DEF aprobados. No devuelva el líquido al tambor o al recipiente de transferencia ni lo use en un vehículo.

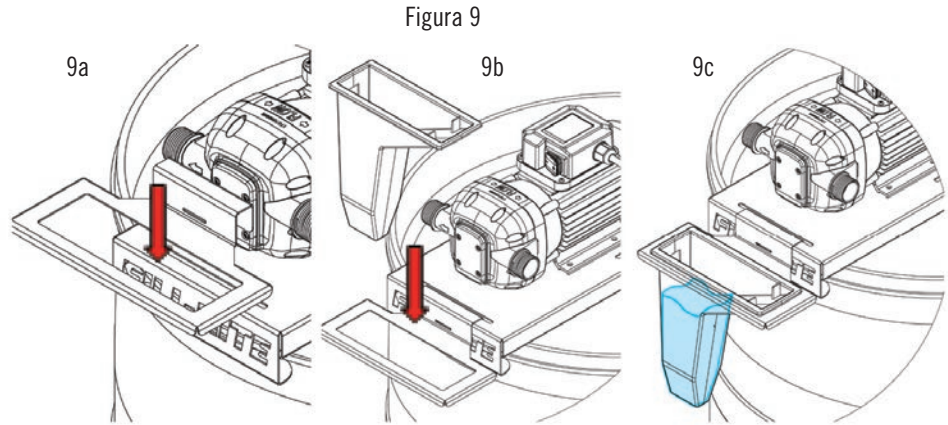
ADVERTENCIA

NO apriete en exceso los collarines roscados que sellan los conectores acanalados en los puertos de entrada y salida de la bomba. El diseño cuenta con roscas BSPP y sellos de junta tórica que no requieren demasiado apriete para proporcionar un sello hermético e impermeable.

1. Ajuste el juego de tambor para que se adapte a un tambor de 114 a 208 litros (30 a 55 galones); para ello, desbloquee ambas tuercas de mariposa y el soporte deslizante para ajustarlo al diámetro del tambor (Figura 7).
2. Ajuste la longitud de la tubería de succión para llegar a una distancia de 5 cm (2") del fondo del tambor después de apretar en un adaptador de tapón. Inserte la tubería de succión del tambor (se vende por separado, elemento 6, página 11). Coloque la bomba con el soporte de tambor sobre el labio del tambor. Comprima el soporte deslizante para envolver firmemente el labio del tambor. Apriete las tuercas de mariposa para fijar el soporte (Figura 8).



3. Instale la manguera de succión en el lado de succión de la bomba con los conectores para conexión acanalada y abrazadera de manguera (consulte la Figura 4, página 4).
4. Instale el extremo opuesto de la manguera de succión en el dispositivo de succión con los conectores adecuados (consulte la Figura 4, página 4).
5. Instale la manguera de descarga con la boquilla en el lado de descarga de la bomba con los conectores para conexión acanalada y la abrazadera de manguera incluidos (consulte la Figura 5a-b, página 5).
6. Apriete cada abrazadera de manguera para fijar las mangueras de succión y descarga en todos los conectores para conexión acanalada y evitar fugas de líquido (consulte la Figura 5c, página 5).
7. Instale el soporte de envoltura de boquilla y la envoltura de boquilla (Figura 9a hasta 9c).
8. Inserte el soporte de envoltura de boquilla en la ranura en la parte superior delantera del montaje en tambor. Use la abrazadera plástica proporcionada para fijar el soporte al montaje en tambor (Figura 9a).
9. Inserte el depósito de boquilla en el soporte de boquilla y encájelo a presión en la abertura.
10. Llène hasta la mitad con agua para evitar la cristalización del líquido DEF en la boquilla (Figura 9c).



Cableado eléctrico

⚠ ADVERTENCIA

El cableado eléctrico SOLO debe realizarlo un electricista con licencia que cumpla los códigos de electricidad locales, estatales y nacionales NEC/ANSI/NFPA 70, NFPA 30 y NFPA 30A, según corresponda para el uso que se le dará a la bomba. La bomba debe estar debidamente conectada a tierra. La instalación o el uso incorrectos de esta bomba pueden provocar lesiones graves o la muerte.

⚠ PRECAUCIÓN

Todas las bombas deben funcionar en el voltaje nominal. Se debe suministrar energía a la bomba desde un disyuntor de circuito de 15 amperios. Este circuito no debe alimentar a ningún otro equipo. Los cables deben tener el calibre suficiente para transportar la corriente adecuada para la bomba. La caída de voltaje variará con la distancia a la bomba y el calibre del cable. Consulte National Electrical Code (NEC) o los códigos locales para obtener información sobre la compensación de caídas de voltaje y asegurarse de que está utilizando un cableado del calibre correcto para su aplicación.

⚠ ADVERTENCIA

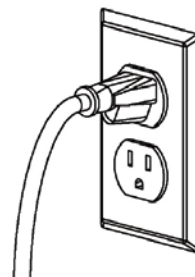
Asegúrese de que el interruptor de encendido esté "APAGADO" antes de conectar a la fuente de energía (CA o CC) para evitar arranques inesperados del motor. Un arranque inesperado del motor puede provocar la descarga accidental de líquido y generar un posible peligro.

Conexión de alimentación de CA

⚠ ADVERTENCIA

¡ESTE PRODUCTO SE DEBE CONECTAR A TIERRA! NO use un adaptador ni modifique el enchufe de otra manera ya que esto anula la espiga de conexión a tierra del enchufe. **NO** conecte este artefacto en un tomacorriente sin conexión a tierra.

Las bombas de CA vienen precableadas para un funcionamiento a 120 V CA, 60 Hz. Estas bombas están equipadas con un enchufe con conexión a tierra convencional de 3 espigas para 120 V CA, que se puede insertar en cualquier tomacorriente con conexión a tierra convencional. Por seguridad y para obtener un funcionamiento adecuado, no retire ni derive de ninguna manera la espiga de conexión a tierra.



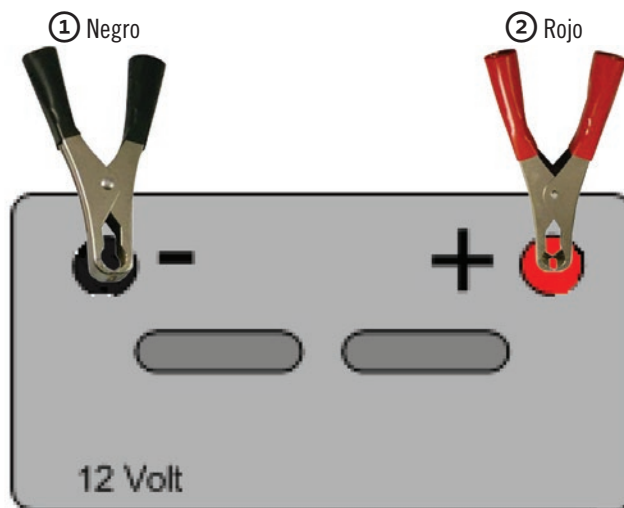
Conexión de alimentación de CC

¡Inspeccione el cable de alimentación antes de cada uso! El cable de alimentación se debe reemplazar si los daños en su cubierta exterior exponen el cableado.

El cable de alimentación termina en abrazaderas rojas y negras.

1. Conecte primero la abrazadera negra (negativa) al borne negativo de la fuente de alimentación de CC.
2. Conecte la abrazadera roja (positiva) al borne positivo al último.

Las abrazaderas se deben desconectar en el orden inverso.



Funcionamiento de la bomba

⚠ PRECAUCIÓN

La bomba de DEF Fill-Rite posee un ciclo de servicio de 30 minutos. Después de un ciclo de 30 minutos de funcionamiento continuo, apague la bomba durante 30 minutos. No respetar este ciclo de servicio puede dañar el motor de la bomba.

⚠ PRECAUCIÓN

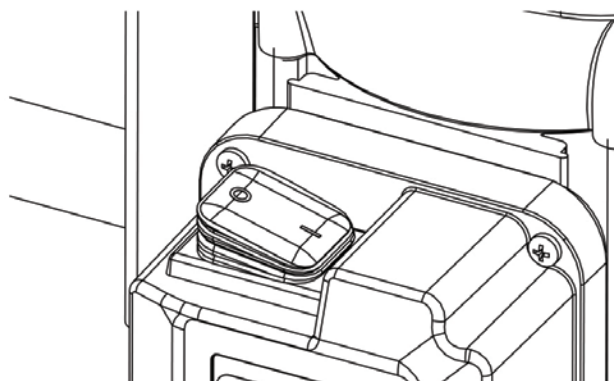
NO haga funcionar la bomba durante más de 3 minutos sin dispensar líquido. Los períodos de funcionamiento prolongado sin dispensación de líquido dañarán la bomba.

⚠ PRECAUCIÓN

Antes de hacer funcionar la bomba, tómese un momento para asegurarse de que todo esté listo. No continúe hasta que haya verificado lo siguiente:

- Verifique que el interruptor de encendido esté en la posición "OFF" (Apagado, 0)
- Verifique que el agua en la envoltura de boquilla esté limpia, sin residuos y que tenga la profundidad necesaria para cubrir el tubo
- Inspeccione el tubo de boquilla para asegurarse de que esté limpio y sin residuos ni DEF cristalizado
- Verifique que la conexión del tubo de succión y las mangueras estén despejadas y sin aprietes ni otras restricciones
- Verifique que haya suficiente DEF en el tanque de suministro para hacer funcionar la bomba

1. Conecte la bomba al suministro de alimentación adecuado (120 V CA = tomacorriente de pared / 12 V CC = batería o suministro de alimentación de CC).
2. Gire el interruptor de encendido hasta la posición "ON" (Encendido, I).
3. Retire la boquilla del depósito de boquilla e inserte el tubo de boquilla en el tanque o recipiente que se va a llenar.
4. Apriete el gatillo de la boquilla para dispensar líquido hasta que se dispense la cantidad deseada.
5. Suelte el gatillo de la boquilla y devuélvala a su depósito (asegúrese de que este contenga suficiente líquido para sumergir el tubo de boquilla como se ilustra en la Figura 9c en la página 6).
6. Apague la bomba y enrolle la manguera de descarga en el soporte.



Guía de solución de problemas

La siguiente guía de “Solución de problemas” ofrece asistencia de diagnóstico básico en caso de que enfrente un funcionamiento anormal de su producto Fill-Rite. Las reparaciones típicas se pueden realizar con herramientas manuales simples y siguiendo la información de diagnóstico básico que se indica a continuación.

⚠ ADVERTENCIA

NO abra ni intente reparar el motor de su bomba Fill-Rite. Devuélvalo al lugar de compra si requiere servicio técnico. Si abre la carcasa del motor pondrá en peligro la integridad de la fabricación y anulará cualquier garantía existente.

⚠ ADVERTENCIA

Asegúrese de que la bomba esté apagada y desconectada de su fuente de alimentación antes de realizar cualquier servicio técnico o mantenimiento.

⚠ PRECAUCIÓN

Asegúrese de que el sistema de DEF permanezca sellado mientras se realiza cualquier servicio técnico o mantenimiento en la bomba. El líquido DEF se cristaliza cuando entra en contacto con el aire y genera posibles problemas en la bomba, y un sistema abierto crea la oportunidad para que este líquido se contamine.

Síntoma	Causa	Solución
La bomba no ceba	<ol style="list-style-type: none"> 1. Problema de la tubería de succión 2. El acoplador de bucle cerrado no se enganchó correctamente 3. Bloqueo o apertura de la válvula de derivación 4. Salida bloqueada 	<ol style="list-style-type: none"> 1. Verifique si hay fugas, restricciones o torceduras en la tubería de succión; puede que sea muy pequeña, muy larga o no es hermética. El acoplador RPV no está bloqueado. 2. El acoplador RPV o similar no se enganchó correctamente. Consulte las instrucciones del fabricante del acoplador. 3. Retire e inspeccione la válvula (página 10, elemento 24); esta se debe mover libremente y no debe tener residuos. 4. Verifique si hay bloqueos en la salida de la bomba, la manguera, la boquilla y el filtro.
La bomba funciona lento	<ol style="list-style-type: none"> 1. Voltaje incorrecto 2. Problema del motor 	<ol style="list-style-type: none"> 1. Verifique el voltaje de línea de entrada mientras está funcionando la bomba. 2. Devuelva al lugar de compra.
El motor se detiene	<ol style="list-style-type: none"> 1. Bloqueo de la válvula de derivación 2. Voltaje bajo 3. Succión restringida 4. Residuos en la cavidad de la bomba 5. Falla del motor 	<ol style="list-style-type: none"> 1. Retire e inspeccione la válvula (página 10, elemento 24); esta se debe mover libremente y no debe tener residuos. 2. Verifique el voltaje de línea de entrada mientras está funcionando la bomba. 3. Retire y limpie la tubería de succión. 4. Elimine los residuos de la cavidad de la bomba. 5. Devuelva al lugar de compra.
El motor no funciona	<ol style="list-style-type: none"> 1. No hay energía 2. Falla del interruptor 3. Falla del motor 4. Cableado suelto o incorrecto 	<ol style="list-style-type: none"> 1. Revise la alimentación entrante, el fusible (CC) o disyuntor (CA). 2. Devuelva al lugar de compra. 3. Devuelva al lugar de compra. 4. Revise el cableado y las conexiones.
Filtración de líquido	<ol style="list-style-type: none"> 1. Junta tórica defectuosa 2. Líquido incompatible 3. Sujetadores sueltos 	<ol style="list-style-type: none"> 1. Verifique las empaquetaduras de la junta tórica. 2. USE SOLO con líquido DEF o agua. 3. Apriete los sujetadores.
Baja o sin velocidad de flujo	<ol style="list-style-type: none"> 1. Nivel bajo en el tanque 2. Requisitos de succión excesivos 3. Funcionamiento de la bomba en derivación 4. Válvula de derivación abierta 5. Ingreso de aire en el lado de succión 6. Restricción de la tubería de succión 	<ol style="list-style-type: none"> 1. Rellene el tanque. 2. La tubería de succión de 3/4" de diámetro no debe exceder la elevación nominal. La tubería de succión debe estar a 5 cm (2") del fondo del tanque. 3. Use una manguera de descarga más corta o de mayor diámetro. 4. Retire e inspeccione la válvula (página 10, elemento 24); esta se debe mover libremente y no debe tener residuos. 5. Revise las conexiones y los sellos del lado de succión. 6. Use tuberías adecuadas para trabajar con presión de succión.

Guía de solución de problemas (continuación)

<p>Baja o sin velocidad de flujo (continuación)</p>	<ol style="list-style-type: none"> 7. Velocidad de giro lenta 8. La tubería de succión está apoyada en el fondo del tanque 9. Bomba o motor congelados 10. Fugas en la plomería de salida de la bomba 11. Bloqueo o apertura de la válvula de derivación 12. Cristalización en la cavidad de la bomba 13. Bloqueo de la válvula de retención 14. Tanque de transferencia, barril o tanque con ventilación inadecuada 	<ol style="list-style-type: none"> 7. Revise el voltaje en la bomba. Ajuste el voltaje o use cables con hilos de mayor calibre. 8. Modifique la tubería de succión a la longitud correcta. 9. Descongele la bomba y revise si hay daños. Arrancar una bomba congelada puede dañar el motor y la bomba. 10. Revise el sello en la conexión de la bomba e inspeccione si hay daños. 11. Retire e inspeccione la válvula (página 10, elemento 24); esta se debe mover libremente y no debe tener residuos. 12. Enjuague y limpie la bomba. 13. Retire e inspeccione la válvula (página 10, elementos 27 y 31); esta se debe mover libremente y no debe tener residuos. 14. Ventile el sistema adecuadamente.
<p>Aumento del ruido de la bomba</p>	<ol style="list-style-type: none"> 1. Función de derivación irregular 2. Presencia de aire en el líquido bombeado 	<ol style="list-style-type: none"> 1. Retire e inspeccione la válvula (página 10, elemento 24); esta se debe mover libremente y no debe tener residuos. 2. Verifique las tuberías y conexiones de succión. Purgue el aire del sistema.
<p>Errores de funcionamiento de la boquilla automática</p>	<ol style="list-style-type: none"> 1. Cristalización en el tubo 2. Flujo demasiado alto 	<ol style="list-style-type: none"> 1. Sumerja el tubo de boquilla en agua tibia. 2. Disminuya la velocidad de flujo con un ajuste de bloqueo inferior en el mango.

Piezas y juegos

Se dispone de una amplia variedad de piezas y juegos para mantener y complementar con accesorios su sistema de DEF Fill-Rite. Siempre use piezas Fill-Rite originales cuando realice el mantenimiento de su sistema de DEF, para garantizar un rendimiento adecuado y una prolongada vida útil. Las siguientes páginas incluyen la información de los juegos; puede encontrar información adicional disponible en línea en fillrite.com. También puede comunicarse con nuestro Soporte Técnico de clase mundial al 1 (800) 720-5192 o por correo electrónico a FillRiteTech@fillrite.com (lunes a viernes, 8 a. m. a 5 p. m., hora del Este).

AVISO

Siempre tenga a mano el modelo, el número de serie y la fecha de compra cuando solicite juegos o repuestos para su bomba de DEF Fill-Rite.

PRECAUCIÓN

Siempre use ropa de protección y equipos de seguridad cuando trabaje con líquido de escape diesel. Incluso las cantidades pequeñas con las que pueda tener contacto durante el mantenimiento de su bomba pueden ser cáusticas o dañinas.

La información de número de serie de su sistema de DEF Fill-Rite se encuentra en la bomba. El número de serie se encuentra en la parte delantera de la bomba, en la base del conjunto de carcasa de la misma (Figura 10). Es el número que está sobre la palabra "FLOW" (Flujo).

Consulte la información de nomenclatura en la página 4 para decodificar las especificaciones sobre los componentes que se incluyen en su sistema.

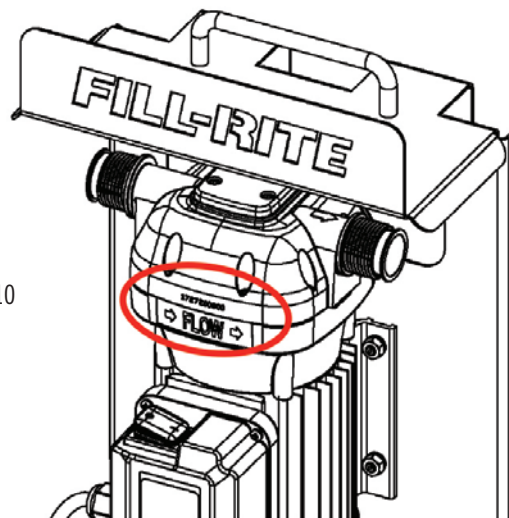
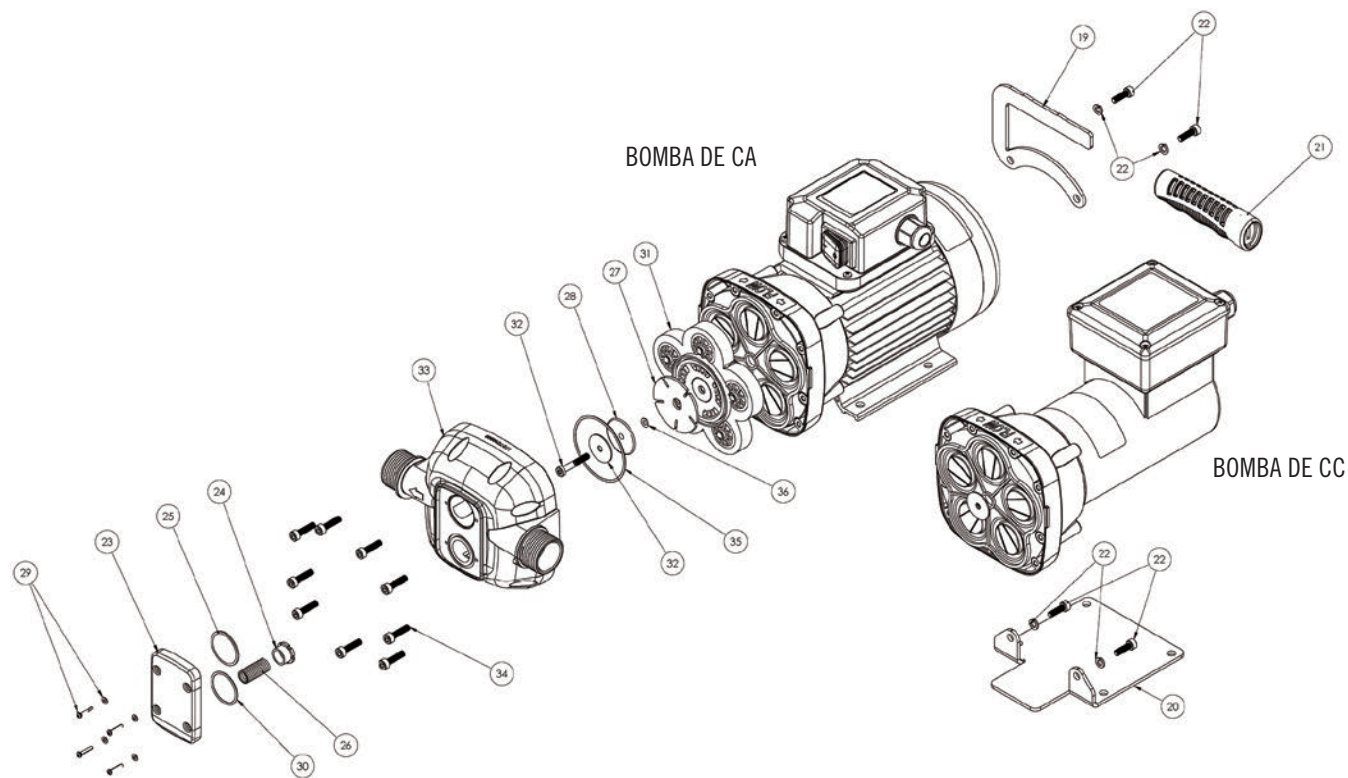


Figura 10

Piezas y juegos (continuación)

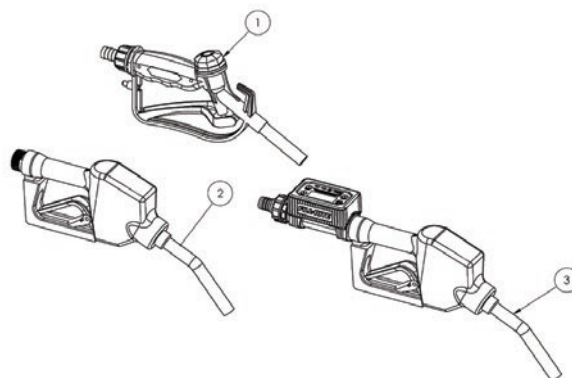


Juego	Descripción	Cant.	Elemento
KITDFHF Soporte de repuesto de bomba de CC	Soporte de mango metálico	1	19
	Soporte de base metálica	1	20
	Empuñadura de goma	1	21
	Piezas metálicas de montaje	12	22
KITDFPK Repuestos de bomba de DEF	Barra de desviación	1	24
	Amortiguador de salida	1	25
	Resorte de desviación	1	26
	Válvula de charnela	1	27
	Arandela de válvula de charnela	1	28
	Piezas metálicas de montaje de derivación	4	29
	Sello de derivación	1	30
	Conjunto de válvula de retención	1	31
	Perno de montaje de válvula de retención	1	32
	Sello del conjunto de válvula de retención	1	35
Sello del motor	1	36	

Piezas y juegos (continuación)

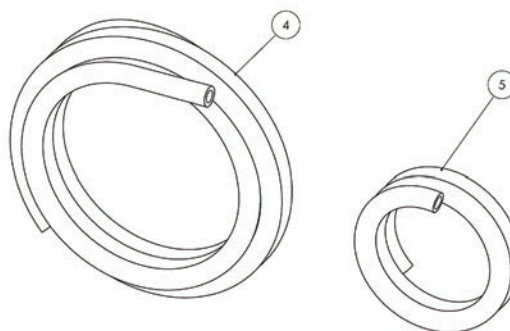
Boquillas

Juego	Descripción	Elemento
FRDFM075C	Boquilla manual de DEF	1
FRDFA075B	Boquilla automática de DEF	2
KITDFMN	Boquilla medidora automática de DEF	3



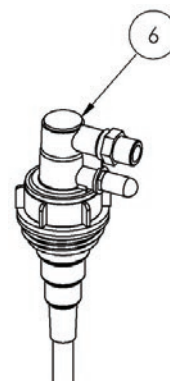
Mangueras

Juego	Descripción	Elemento
KITDFH20	Manguera de descarga, 6.1 m (20')	4
KITDFH05	Manguera de descarga, 1.5 m (5')	5



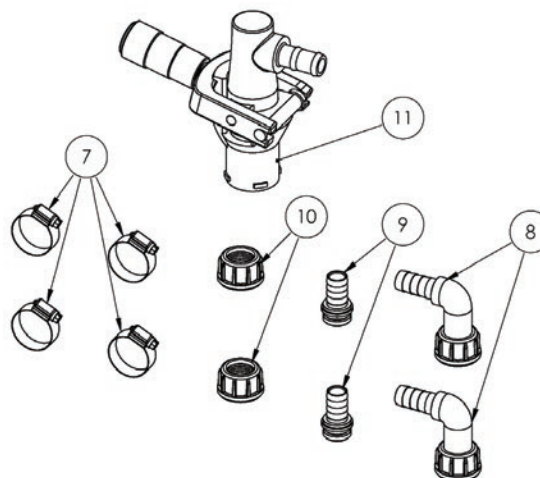
Tubería de succión

Juego	Descripción	Elemento
KIT180DTPS	Tubería de succión para conexión acanalada para manguera de 3/4"	6

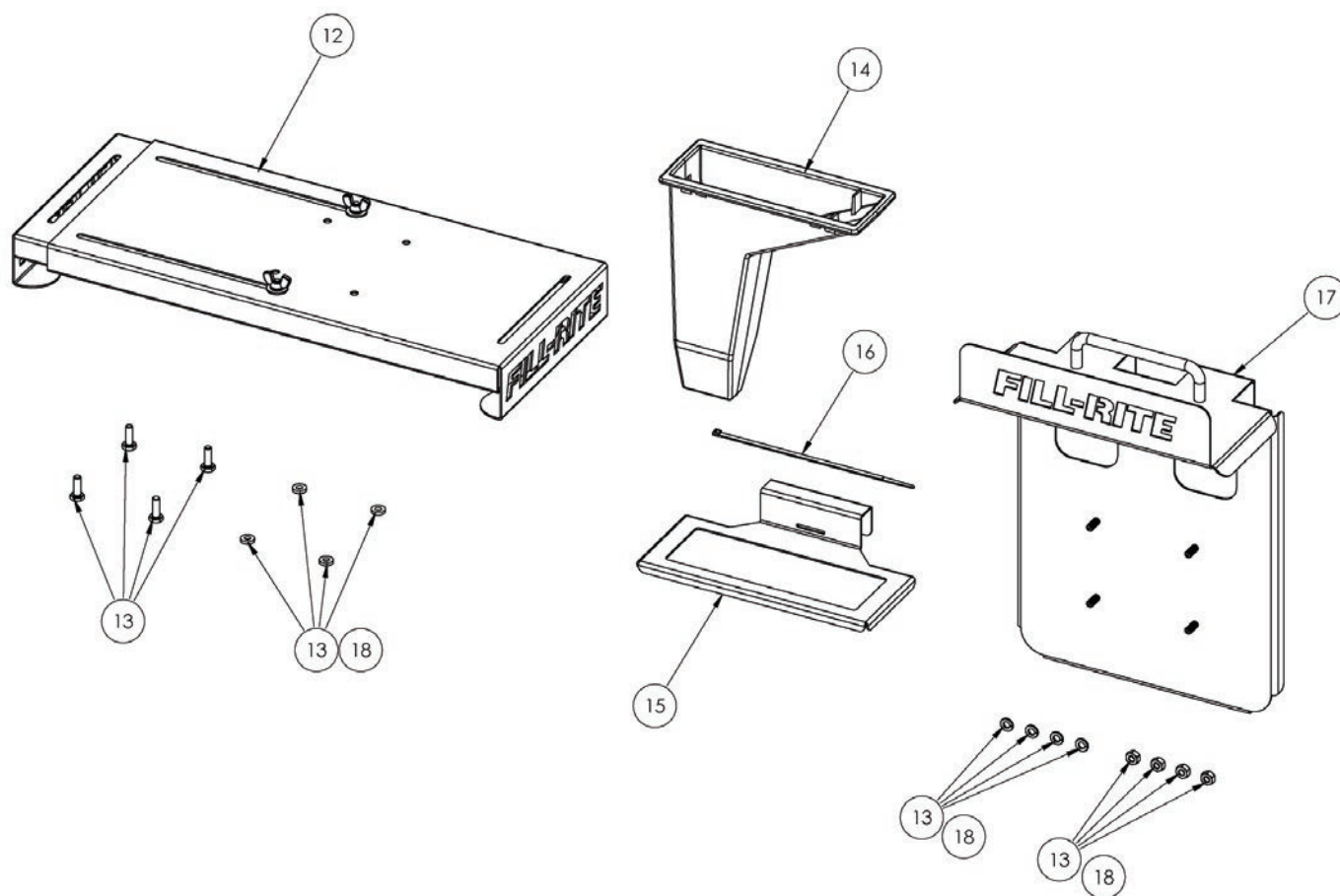


Conectores

Juego	Descripción	Elemento
KITDFFK Juego para conexión acanalada para manguera de 3/4"	Abrazaderas para manguera	7
	Conectores de codo	8
	Conectores de conexión acanalada recta	9
	Tuercas de retención de conexión acanalada recta	10
MMNM075RPV	Acoplador RPV de 4 pasadores no metálico	11



Piezas y juegos (continuación)



Juego	Descripción	Cant.	Elemento
KITDFDB Juego de DEF de soporte de tambor	Soporte de tambor ajustable Fill-Rite	1	12
	Piezas metálicas de montaje	16	13
	Depósito de boquilla de plástico	1	14
	Soporte de depósito de boquilla	1	15
	Abrazadera plástica	1	16
KITDFCB Juego de DEF de soporte de tanque de transferencia y contenedor IBC	Soporte de tanque de transferencia y contenedor IBC Fill-Rite	1	17
	Piezas metálicas de montaje	12	18
	Depósito de boquilla de plástico	1	14
	Soporte de depósito de boquilla	1	15
	Abrazadera plástica	1	16
KITDFNB Juego de depósito de boquilla	Depósito de boquilla de plástico	1	14
	Soporte de depósito de boquilla	1	15
	Abrazadera plástica	1	16

Accesorios de DEF

Fill-Rite ofrece una amplia variedad de productos para la manipulación de líquido de escape diesel. Desde medidores, hasta boquillas y bombas manuales, existe un producto Fill-Rite disponible para satisfacer sus necesidades de DEF. Comuníquese con su distribuidor para obtener información adicional o visítenos en fillrite.com.

Pieza n.º	Descripción
FRNS075A	Boquilla de DEF automática premium (cuerpo de acero inoxidable)
MMSS075RSV	Acoplador dispensador RSV de acero inoxidable
MMSS075EPV	Acoplador dispensador EPV de acero inoxidable
TT10P	Medidor de turbina Tuthill
TS06C	Medidor de pesos y medidas
825/825P	Medidor de disco de nutación
FR1118P	Medidor en línea
FRHP32V	Bomba manual de DEF
FRAP32V	Bomba de aire de DEF
SP100-05N-PP-SSS	AODD de 1/2" de polipropileno o Santoprene
SP100-10F-PP-SSS	AODD de 1" de polipropileno o Santoprene

Información técnica

Motor	CA	CC
Alimentación:	120 V-CA	12 V-CC
HZ	60 Hz	No disponible
Clasificación de HP (potencia)	1/4 HP	1/4 HP
Longitud del cable de alimentación	1.8 m (6')	6.1 m (20')
Calibre del cable de alimentación	16 / 3	14 / 2
Amperios (FLA)	2.4 A	22 A
RPM	3400 RPM	2800 RPM
Ciclo de servicio	30 minutos ENCENDIDO y 30 minutos APAGADO	30 minutos ENCENDIDO y 30 minutos APAGADO
Protección térmica	Sí	No
Protección del circuito	No disponible	25 Amp Fuse
Certificaciones (normativas)	No disponible	No disponible

Bomba	
Tipo	Placa oscilante de diafragma
LPM en la configuración provista (manguera y boquilla)	30 LPM (8 GPM)
LPM en flujo abierto	38 LPM (10 GPM)
Clasificación de presión de derivación (máx.)	2.7 bar (38 psi)
Certificaciones (normativas)	No disponible
Vacío en seco (in-Hg)	6
Materiales húmedos	Nylon, EPDM, acero inoxidable, Santoprene
Compatibilidad con líquidos	Líquido de escape diesel, agua

Instrucciones de mantenimiento

NOTA: Todos los números de elemento hacen referencia a la imagen de la página 11 de los componentes de bomba de CC y CA.

Herramientas necesarias

- Punta de destornillador hexagonal M4
- Punta de destornillador hexagonal M3
- Punta de destornillador Philips N.º 1
- Taladro eléctrico o destornillador de puntas
- Pinzas de puntas de aguja

Limpieza e inspección de la derivación

1. Para abrir la cubierta de derivación (elemento 23), use un destornillador o punta Philips N.º 1 para retirar los tornillos y las arandelas (elementos 29).

NOTA: La cubierta de derivación está bajo presión de resorte y se abrirá de un salto después de soltar los tornillos de la carcasa de la bomba (elemento 33).

2. Después de retirar los tornillos y las arandelas de la derivación, revise cuidadosamente si hay daños o residuos en la junta tórica de esta (elemento 30) y el amortiguador de salida (elemento 25).
3. Retire el resorte de desviación (elemento 26) de la cavidad de derivación.
4. Con pinzas de puntas de aguja, retire la barra de desviación (elemento 24) de la cavidad de derivación e inspeccione si hay daños o residuos en esta última o la barra de desviación.
5. Invierta el desmontaje para devolver la derivación al funcionamiento normal.

NOTA: Verifique que todos los sellos estén correctamente puestos antes de apretar la cubierta de derivación con sus piezas metálicas de montaje.

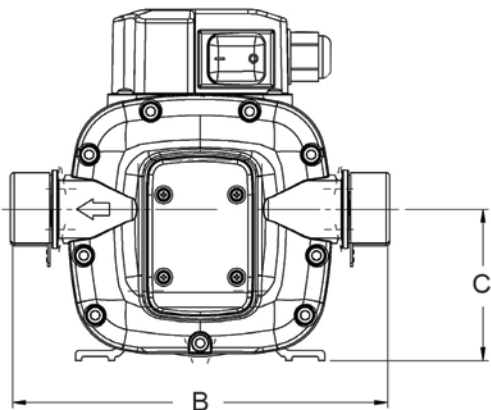
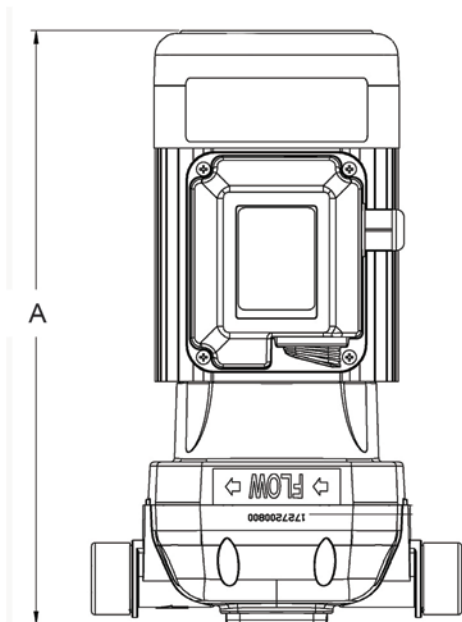
Limpieza e inspección de la cámara de líquido

1. Para abrir la cámara de líquido use una punta de destornillador hexagonal M4 en un taladro eléctrico o destornillador de puntas para retirar los nueve pernos de montaje de la carcasa de la bomba (elemento 34).
2. Después de retirar todos los pernos, saque la carcasa de la bomba del motor.
3. Inspeccione si hay daños o residuos en la válvula de charnela (elemento 27) y las cinco válvulas de retención negras en el elemento 31.
4. Para continuar la inspección, use una punta de destornillador hexagonal M3 en un taladro eléctrico o destornillador de puntas para retirar los pernos de montaje de la carcasa de la válvula de retención (elemento 32).
5. Saque las arandelas de montaje de la válvula de retención (elemento 28 y 32) y la válvula de charnela (elemento 27) del motor. Verifique que la junta tórica pequeña del motor (elemento 36) no tenga daños ni residuos y que siga montada en el perno de montaje de la válvula de retención (elemento 32).
6. Revise cuidadosamente si hay daños o residuos en la válvula de charnela (elemento 27).
7. Saque el conjunto de válvula de retención (elemento 31) del motor y verifique que no haya residuos al interior del mismo. Inspeccione si hay residuos o daños en cualquiera de las cinco válvulas de retención incluidas en el elemento 31.
8. Después de finalizar la inspección daños y residuos, invierta el desmontaje para devolver las válvulas de retención y la carcasa de la bomba al funcionamiento normal.

NOTA: Vuelva a alinear la válvula de charnela (elemento 27) con los puertos de la válvula de retención del conjunto de válvula de retención (elemento 31).

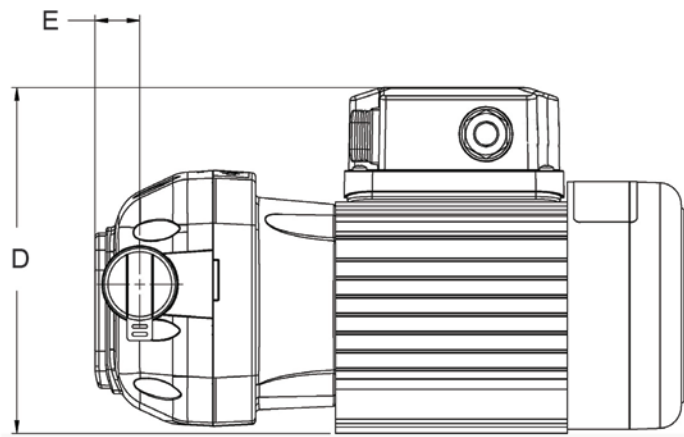
NOTA: Verifique que todos los sellos estén correctamente puestos antes de apretar las piezas metálicas.

Información de dimensiones

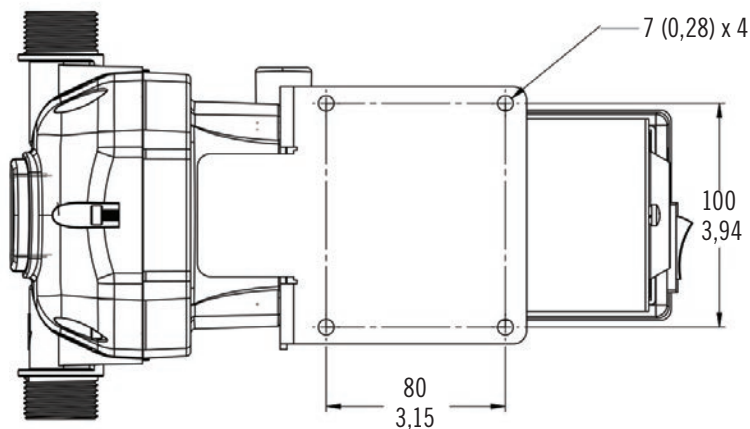


Dimensión	Bomba de CA	Bomba de CC
A	295 mm / 11.6"	318 mm / 12.5"
B	183 mm / 7.2"	183 mm / 7.2"
C	74 mm / 2.9"	74 mm / 2.91"
D	17 mm / 6.7"	183 mm* / 7.2"*
E	23 mm / 0.9"	23 mm / 0.9"

* La altura general incluye el mango de transporte (solo modelos de CC, no se muestra)



Soporte de montaje



FILL-RITE[®]

A GORMAN-RUPP COMPANY

Fill-Rite Company
8825 Aviation Drive
Fort Wayne, Indiana 46809 USA

T 1 (800) 720-5192
F 1 (260) 747-7524
F 1 (800) 866-4681



fillrite.com | sotera.com | gormanrupp.com