

FILL-RITE®

FR300V SERIES FUEL TRANSFER PUMPS

Installation and Operation Manual



MADE IN  USA
WITH GLOBAL MATERIALS


GORMAN-RUPP
COMPANY

Table of Contents

Thank You!2

Warranty Policy2

About This Manual3

Safety Information3

Installation 3-4

Anti-Siphon Device5

Bung Adaptor and Suction Pipe Installation.....5

Nozzle Boot Installation5

Electrical Wiring6

Wiring Procedure6

Operating Instructions6

Pad Locking.....6

Safety Testing Approvals.....7

Fluid Compatibility7

Technical Information / Specifications7

Troubleshooting 8-9

Accessories9

Replacement Parts Information10-11

300VE Model Information12

Thank You!

Thank you for your loyalty to the Fill-Rite® brand of fuel transfer pumps. Your safety is important, so please read and thoroughly understand the procedures set forth in this manual. In addition, please save these instructions for future reference and record the model, serial number, and purchase date of your fuel transfer pump. Protect yourself as well as those around you by observing all safety instructions and adhering to all danger, warning, and caution symbols. Please register your Fill-Rite® product via info.fillrite.com/product_registration.

IMPORTANT RETURN POLICY

Please do not return this product to the store. For all warranty and product questions, please contact Fill-Rite Technical Support at 1 (800) 720-5192 or via email at FillRiteTech@fillrite.com (M-F, 8 AM – 5 PM ET).

MODEL #	
SERIAL #	
PURCHASE DATE:	



Limited Warranty Policy

Fill-Rite Fort Wayne warrants the goods manufactured shall be free from defects of materials and workmanship. Specific warranty details for individual products can be found at fillrite.com.

About This Manual

From initial concept and design through its final production, your Fill-Rite pump is built to give you years of trouble-free use. To insure it provides that service, **it is critical that you read this entire manual prior to attempting to install or operate your new pump.** Become familiar with the terms and diagrams, and pay close attention to the highlighted areas with the following labels:

⚠ DANGER	Indicates a hazardous situation which, if not avoided, will result in death or serious injury.
⚠ WARNING	Indicates a hazardous situation which, if not avoided, could result in death or serious injury.
⚠ CAUTION	Indicates a hazardous situation which, if not avoided, could result in moderate or minor injury.
NOTICE	Indicates information considered important but not directly hazard related.

At Fill-Rite, your satisfaction with our products is paramount to us. If you have questions or need assistance with your product, please contact us at 1 (800) 720-5192 or via email at FillRiteTech@fillrite.com (M-F, 8 AM – 5 PM ET).

Safety Information

⚠ WARNING	<p>Electrical wiring should be performed ONLY by a licensed electrician in compliance with local, state, and national electrical code NEC/ANSI/NFPA 70, NFPA30, and NFPA 30A, as appropriate to the intended use of the pump. Threaded rigid conduit, sealed fittings, and conductor seal should be used. The pump must be properly grounded. Improper installation or use of this pump can result in serious bodily injury, or death!</p> <ol style="list-style-type: none"> 1. NEVER smoke near the pump, or use the pump near open flames when pumping a flammable liquid! Fire can result! 2. A "Fill-Rite" Filter should be used on the pump outlet to insure no foreign material is transferred to the fuel tank. 3. Threaded pipe joints and connections should be sealed with the appropriate sealant or sealant tape to minimize the possibility of leaks. 4. Storage tanks should be securely anchored to prevent shifting or tipping when full or empty. 5. To minimize static electricity build up, use only static wire conductive hose when pumping flammable fluids, and keep the fill nozzle in contact with the container being filled during the filling process. 6. The pump motor is equipped with thermal overload protection; if overheated, the motor will shut off to prevent damage to the windings. If this happens, TURN THE PUMP OFF! When the motor cools, it will restart without warning if the power is on.
⚠ WARNING	This product should not be used to transfer fluids into any type of aircraft.
⚠ WARNING	This product is not suited for use with fluids intended for human consumption or fluids containing water.

Installation

The Fill-Rite FR300V series pump is designed to offer several different mounting configurations. It can be mounted on a skid tank using the tank adapter supplied with the pump (see attached diagrams) or mounted on a concrete island using an optional pedestal adapter (available through your Fill-Rite distributor). Regardless of mounting style, all tanks must be properly vented.

The FR300V series pump has a built-in check valve with pressure relief to reduce unsafe excess pressure from thermal expansion of the fluid. It also features an integral bypass valve to help minimize wear when the pump is operating with the nozzle closed.

⚠ CAUTION	Do not use additional check valves or foot valves unless they have a proper pressure relief valve built into them. Note that additional check valves will reduce flow rate.
------------------	---



Threaded pipe joints and connections should be sealed with the appropriate sealant or sealant tape to minimize the possibility of leaks.

Typical Skid Tank Installation

Materials

- 1-1/4" pipe cut to a length that will terminate at least 3" from the bottom of the tank when installed into the tank adapter with the tank adapter installed into the tank flange (see SKID TANK INSTALLATION diagram).
- Threaded pipe joint sealant appropriate for application.

Installation Procedure

1. Thread the 1-1/4" pipe into the tank adapter. Seal threads liquid tight with appropriate thread sealant.
2. Screw the tank adapter into the tank flange; seal threads liquid tight with appropriate thread sealant.
3. Mount the pump on the adapter; seal threads liquid tight with appropriate thread sealant.
4. Fill-Rite recommends installation of an Anti-Siphon Device.

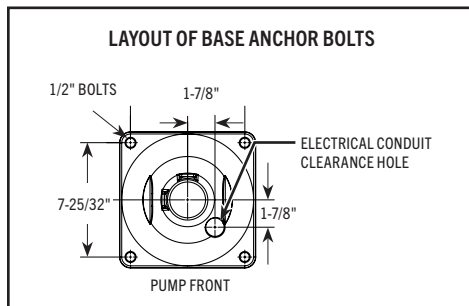
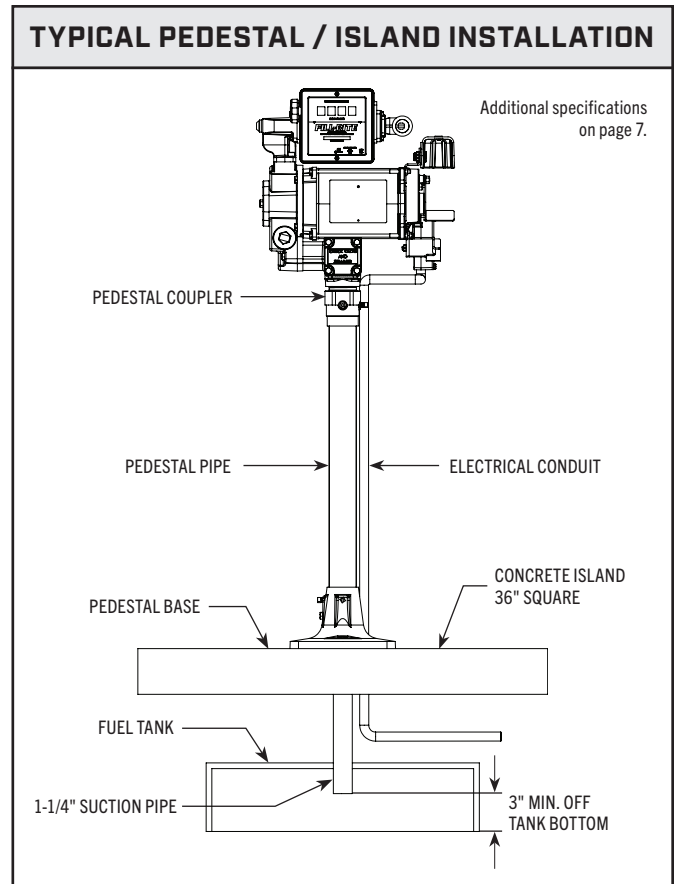
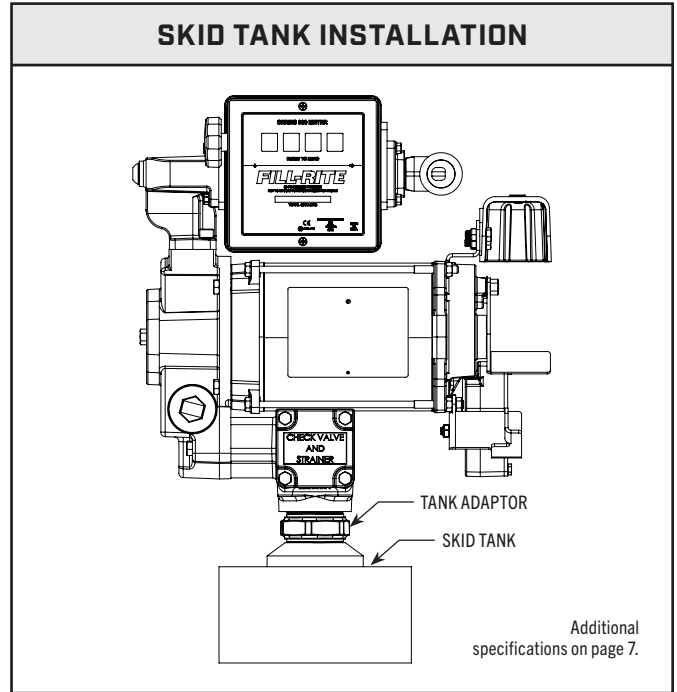
Typical "Pedestal / Island" Installation

Materials

- 1-1/4" threaded suction pipe, cut to extend 32-1/2" above the island.
- FRPA125 Pedestal Kit (includes Pedestal Pipe, Base, & Coupler).
- Threaded pipe joint sealant appropriate for application.

Installation Procedure

1. Remove the coupler from the pedestal pipe by loosening the set screws.
2. Slip the pedestal pipe/pump base assembly over the 1-1/4" suction pipe.
3. Loosen the screws in the pedestal base to allow the pedestal pipe to slide down exposing the end of the suction pipe.
4. Screw the coupler onto the suction pipe; seal threads liquid tight with appropriate thread sealant.
5. Slide the pedestal pipe into the coupler and tighten the set screws.
6. Tighten the screws in the pedestal base.
7. Mount the pump on the coupler seal threads liquid tight with appropriate thread sealant.



CAUTION

Threaded pipe joints and connections should be sealed with the appropriate sealant or sealant tape to minimize the possibility of leaks.

Anti-Siphon Device

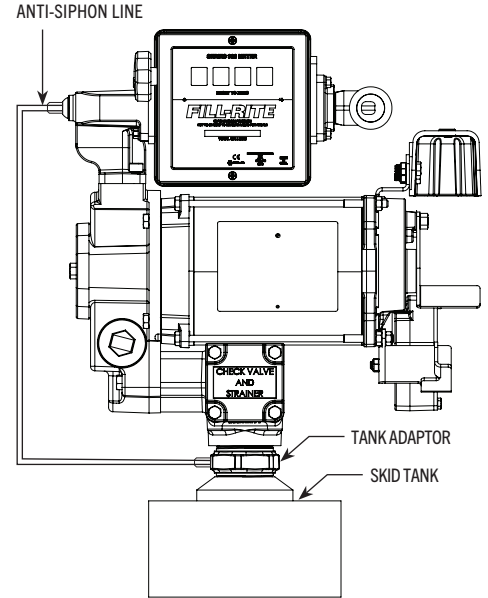
Your FR300V series pump comes from the factory ready to install an anti-siphon tube back to the tank. An anti-siphon device (a.k.a. vacuum breaker) is important because it will break a liquid siphon if there is an open nozzle or a leaking hose below the fluid level in the tank when the pump is turned off. Fill-Rite recommends anti-siphon kit # KIT700AS be installed from the pump outlet back to the vapor space in the tank.

This illustration shows where to install the tube so that it terminates in the vapor space at the top of the tank. The tube must terminate in the vapor space; if it terminates below the fluid level in the tank, it will not prevent siphoning. It is very important there are no liquid traps in the tubing; it must have a continuous slope from the pump down to the tank, and can be connected into any opening in the top of the tank if the tank adapter is not used. Use reducer bushings as required for proper fit and seal.

The 1/4" NPT opening in the side of the tank adaptor terminates in the vapor space of the tank. Make liquid tight connections using the appropriate sealant from the adapter to the anti-siphon outlet using a minimum of 1/4" metal tubing that is compatible with whatever liquid is being pumped. If the anti-siphon tank adapter is being used and the 1/4" NPT opening is not used for the tubing, leave the factory installed plug in place.

Fill-Rite offers Anti-Siphon kit # KIT700AS (available through your Fill-Rite distributor). This kit contains the necessary fittings and tubing to complete the installation as pictured in this section. **NOTE: This kit ONLY works for tank top installations.**

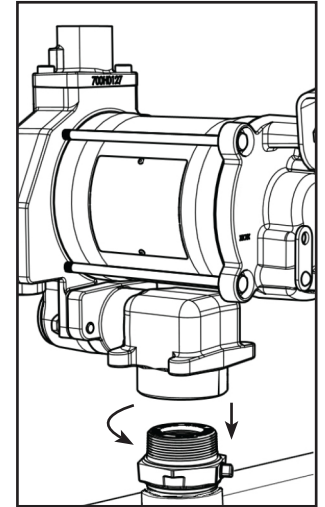
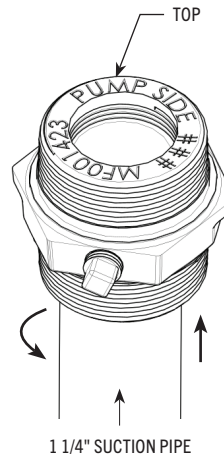
If not using the KIT700AS, you will need the KIT700AVB. This will allow you to connect a line either back to the tank, or to the bung adapter.



Bung Adapter / Suction Pipe Assembly and Installation

FR300V series pumps feature a 2" Bung Adapter with integral connection for an anti-siphon device. When installing the suction pipe into the bung adapter, the suction pipe must be inserted into the bung adapter correctly for proper operation. The suction pipe threads into the tank adapter, and must be cut to a length that positions it at least 3" from the bottom of the tank.

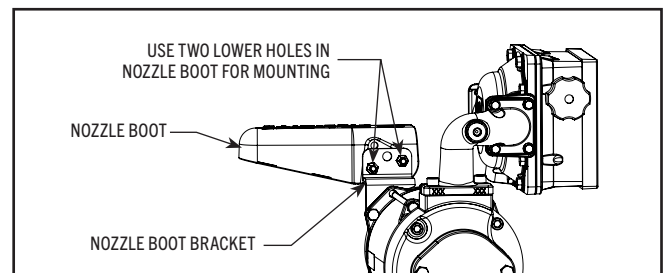
1. Measure and cut suction pipe to fit as described above.
2. Examine the bung adapter to determine top and bottom for proper insertion of the suction pipe. The bung adapter is labeled to help: the end marked "PUMP SIDE" is the top of the bung adapter. Note that the internal threads for the suction pipe are at the TOP of the opening.
3. Wrap the threads of the suction pipe with the appropriate sealant for the fluid being pumped. Insert the suction pipe (with the threaded side up) into the bottom of the bung adapter until the threads engage.
4. Tighten the suction tube into the bung adapter to create an air / fluid tight seal.
5. Apply an anti-seize thread compound to the external threads on the bottom of the bung adapter. Install the assembled bung adapter and suction pipe into the bung opening on the tank. Tighten to a fluid / air tight seal.
6. Install pump onto bung adapter using appropriate fluid sealant, and tighten to a fluid / air tight seal.



Nozzle Boot Installation

The nozzle boot is installed using the lower two screw holes on the side of the boot. Use supplied attaching hardware to install the nozzle boot.

When the nozzle is mounted correctly it will be in a horizontal position.



Electric Wiring

⚠ WARNING

Electrical wiring should be performed ONLY by a licensed electrician in compliance with local, state, and national electrical code NEC/ANSI/NFPA 70, NFPA30, and NFPA 30A, as appropriate to the intended use of the pump. Threaded rigid conduit, sealed fittings, and conductor seal should be used. The pump must be properly grounded. Improper installation or use of this pump can result in serious bodily injury, or death!

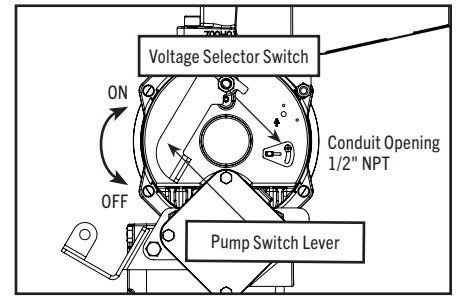
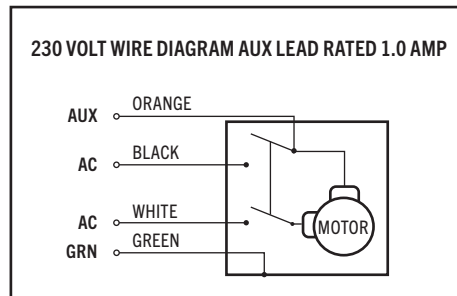
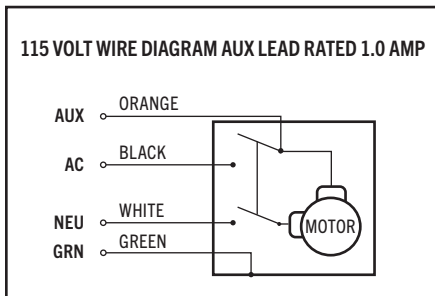
⚠ CAUTION

All pumps should be operated at the Rated Nameplate Voltage. Power should be supplied to the pump from a dedicated 30 amp circuit breaker. No other equipment should be powered by this circuit. Wiring must be of sufficient size to carry the correct current for the pump. Voltage drop will vary with distance to pump and size of wire; refer to the National Electrical Code (NEC), or local codes, for Voltage Drop Compensation to be sure you are using the correct size wire for your application.

Wiring Procedure

⚠ WARNING

The “AUX.” wire IS A LIVE WIRE when the switch is on! The “AUX” lead wire is insulated and enclosed when shipped. DO NOT connect this wire without first verifying the “ON” line voltage of the wire for compatibility with the equipment to be installed. Maximum amperage on this wire is 1 amp. The “AUX” wire must be insulated and enclosed in the junction box if not used.



1. Remove the junction box cover and straighten the wires to make sure the stripped wire ends are accessible outside the junction box.
2. Connect the pump wires to the power supply lines according to the diagram. Be certain to properly insulate the connections with the appropriate wire nuts or other connectors. Note that the ground wire MUST be connected.
3. Fold the wires back into the junction box and replace the cover, making sure the cover gasket is in place.

Use the Voltage Selector Switch on the end of the pump to select the input voltage for the pump. **NOTE: The pump comes from the factory pre-set to 115V AC position.**

NOTICE

Be certain the gasket for the cover is in place, and the screws draw the cover down tight over the junction box. There must be no gap between the junction box and its cover.

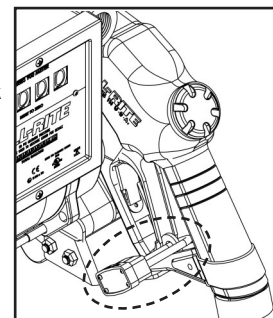
		MAX CABLE LENGTH IN FEET [METERS]											
		SOLID WIRE						STRANDED WIRE					
AWG		14	12	10	8	6	4	14	12	10	8	6	4
1/2 HP	115V AC [60Hz motor]	62 (18.9)	99 (30.2)	158 (48.2)	250 (76.2)	--	--	61 (18.6)	96 (29.3)	154 (46.9)	245 (74.7)	389 (118.6)	620 (189.0)
	230V AC [50Hz motor]	214 (65.2)	340 (103.6)	542 (165.2)	859 (261.8)	--	--	209 (63.7)	331 (100.9)	529 (161.2)	844 (257.3)	--	--
	230V AC [60Hz motor]	221 (67.4)	351 (107.0)	560 (170.7)	887 (270.4)	--	--	216 (65.8)	342 (104.2)	546 (166.4)	871 (265.5)	--	--
3/4 HP	115V AC [60Hz motor]	44 (13.4)	71 (21.6)	113 (34.4)	178 (54.3)	--	--	43 (13.1)	69 (21.0)	110 (33.5)	175 (53.3)	278 (84.7)	443 (135.0)
	230V AC [50Hz motor]	146 (44.5)	232 (70.7)	369 (112.5)	585 (178.3)	--	--	142 (43.3)	226 (68.9)	360 (109.7)	574 (175.0)	--	--
	230V AC [60 Hz motor]	149 (45.4)	237 (72.2)	377 (114.9)	598 (182.3)	--	--	145 (44.2)	231 (70.4)	368 (112.2)	587 (178.9)	--	--

Operating Instructions

1. Reset Meter to “0” (if applicable).
2. Remove dispensing nozzle from nozzle boot.
3. Move the switch lever to the “ON” position to power the pump.
4. Insert the dispensing nozzle into the container to be filled.
5. Operate the nozzle to dispense fluid; release nozzle when the desired amount of fluid has been dispensed.
6. Move switch lever to the “OFF” position to stop the pump.
7. Remove the dispensing nozzle from the container and store it in the nozzle boot.

Padlocking

Your Fill-Rite pump nozzle can be padlocked for added security. With the pump turned off, and the nozzle in the stored position, a padlock can be inserted through the nozzle rest and nozzle handle opening. This configuration prevents the nozzle from being removed from the nozzle cover.



Always keep the nozzle in contact with the container being filled during the filling process to minimize the possibility of static electricity build up.

Safety Testing Approvals

The Fill-Rite FR300V pumps have been safety tested for compliance to the standards set forth by UL Laboratories.



Fluid Compatibility

Diesel fuel, kerosene, mineral spirits, Stoddard solvents, heptane, bio-diesel (B20 max.), and bio-diesel (B21 – B100) using KIT300BD.



If in doubt about compatibility of a specific fluid, contact supplier of fluid to check for any adverse reactions to the following wetted materials: cast iron; steel; zinc plated steel; 300 series stainless steel; carbon; polyester; fluorocarbon; Teflon; brass; iron; copper; buna; 400 series stainless steel; aluminum.

Technical Information / Specifications

Design Features:

- Inlet: Bung: 2" male NPT; Suction pipe: 1-1/4" female NPT or for “E” series models Bung: 2" male BSPT; Suction pipe: 1-1/2" BSPP.
- Outlet: 1" NPT, or 1" BSPT (BSPT on “E” series models).
- Cast iron pump housing: iron (composite) rotor, and carbon (composite) vanes.
- Security: Pump equipped for padlocking (see page 7 for details).
- Thermal overload protection.
- Heavy duty switch.
- 30 minute duty cycle.
- Explosion proof motor UL listed with sealed bearings that require no maintenance.
- Integral check valve with pressure relief on inlet side prevents pressure build up and improves vertical lift.
- Easy access strainer.
- Automatic bypass valve.
- 2" threaded base for tank openings.
- Constant Amp Draw (Service Factor of 1.0):
 - 115V AC 60Hz – 9.8 amps / 50Hz – 11.4 amps.
 - 230V AC 60Hz – 4.9 amps / 50Hz – 5.7 amps.

Shipping Weight:

FR310V: 80 lbs. / FR311V: 91 lbs. / FR319V: 92 lbs.

Accessories:

See page 9 for a complete list of available accessories.

Performance:

- 26 psi (1.79 bar) maximum pressure at pump outlet.
- Up to 35 gallons (132 liters) per minute.
- Maximum viscosity of fluid pumped: #2 diesel fuel.
- Maximum Pump Operating Temperature: 150 degrees F (66 degrees C).
- Minimum Pump Operating Temperature: minus 13 degrees F (minus 25 degrees C) (note that for operation at lower temperatures, we recommend the “Arctic Nozzle” and “Arctic Hose” accessories section on page 9).

Suction Lift:

The lift in feet is equal to the vertical distance from the surface of the fluid in the tank to the inlet of the pump, LESS friction losses through the vertical and horizontal runs of pipe, all elbows, and other fittings. System should be set up to require a minimum amount of suction lift.

- For #2 diesel fuel use all other models (3/4 hp), suction lift is 18' (5.5 m).

Overall Dimensions:

- Model FR310V: 17.12" wide X 15" high x 14.9" deep.
- Model FR311V: 17.12" wide X 19.25" high x 14.9" deep.
- Model FR319V: 17.12" wide x 19.4" high x 14.9" deep.

Troubleshooting

The following Troubleshooting guide is provided to offer basic diagnostic assistance in the event you encounter abnormal service from your Fill-Rite product.

If you have questions regarding installing, operating, or servicing your product, please feel free to contact our Technical Support at 1 (800) 720-5192 or via email at FillRiteTech@fillrite.com (M-F, 8 AM – 5 PM ET). You can also visit fillrite.com.



WARNING

DO NOT open or attempt to repair the motor on your FR300V series pump. Opening the motor case can compromise the integrity of the Explosion Proof construction and will void any existing warranty and certification (UL listing). **Please refer to the Warranty Policy located on page 2.**



WARNING

Be certain all power to the pump is turned off prior to performing any service or maintenance.

Symptom	Cause	Solution
Pump will not prime	1. Suction line problem	Check for leaks in suction line
	2. Bypass valve open	Remove and inspect valve, must move freely & be free of debris
	3. Vanes sticking	Check vanes and slots for nicks, burrs and wear *
	4. Excessive rotor or vane wear	Inspect rotor & vanes for excessive wear or damage, replace if necessary *
	5. Outlet blocked	Check pump outlet, hose, nozzle & filter for blockage
	6. Vapor Lock	Reduce vertical and horizontal distance from pump to liquid; Remove the automatic nozzle
Low capacity	1. Excessive dirt	Remove and clean screen
	2. Suction line problem	Check suction line for leaks or restrictions; it may be too small, too long or not airtight
	3. Bypass valve sticking	Remove and inspect valve; must move freely and be free of debris
	4. Vanes sticking	Check vanes and slots of wear *
	5. Excessive rotor or vane wear	Inspect rotor & vanes for excessive wear or damage; replace if necessary *
	6. Hose or nozzle damage	Replace hose or nozzle
	7. Plugged filter	Replace filter
	8. Low fluid level	Fill tank
Pump runs slowly	1. Incorrect voltage	Check incoming line voltage while pump is running
	2. Vanes sticking	Inspect vanes and slots for nicks, burrs and wear *
	3. Wiring problem	Check for loose connections
	4. Motor problem	Refer to Warranty Policy
Motor stalls	1. Bypass valve sticking	Remove and inspect valve, must move freely & be free of debris
	2. Low voltage	Check incoming line voltage while pump is running
	3. Excessive rotor or vane wear	Check rotor & vanes for excessive wear or damage *
	4. Debris in pump cavity	Clean debris from pump cavity
Motor overheats (Thermal overload tripped)	1. Pumping high viscosity fluids	These fluids can only be pumped for short periods of time (less than 30 minutes duty cycle)
	2. Clogged screen	Remove and clean screen
	3. Restricted suction pipe	Remove and clean pipe
	4. Motor failure	Refer to Warranty Policy
	5. Pump rotor lock-up	Clean and check pump rotor and vanes *

Troubleshooting (Continued)

Symptom	Cause	Solution
Motor inoperative	1. No Power	Check incoming power
	2. Switch failure	Refer to Warranty Policy
	3. Motor failure	Refer to Warranty Policy
	4. Thermal protector failure	Refer to Warranty Policy
	5. Incorrect/loose wiring	Check wiring
Fluid leakage	1. Bad o-ring gasket	Check all o-ring gaskets
	2. Dirty shaft seal	Clean seal and seal cavity
	3. Bad shaft seal	Replace seal
	4. Incompatible fluid	Refer wetted parts list to fluid manufacturer (see page 7)
	5. Loose fasteners	Tighten fasteners
Pump hums but will not operate	1. Dirt in pump cavity	Clean out pump cavity
	2. Motor failure	Refer to Warranty Policy
	3. Broken rotor insert	Remove all debris & replace insert

Bold text indicates repairs that are not serviceable by the owner; please refer to our Warranty Policy on page 2 for further instructions.

* Repairs marked with an asterisk (*) will require Repair Kit #300KTF7794. This kit includes a replacement rotor and new vanes, as well as a number of other important seals and components to complete the repair.

Accessories

A wide variety of accessories are available to help you maximize the performance of your Fill-Rite pump. Listed below are the applicable available accessories for your specific product. Please contact your authorized Fill-Rite distributor to purchase the accessories you need.

Part Number	Description
F4010PM0	1" Filter (Particulate 10 micron)
F4030M0	1" Filter (Particulate 30 micron)
700ACCF7017	1" Filter Head
FRPA125	Island Pedestal Mount Kit
KIT700AS	Anti-Siphon Kit
FRH10012	1" Hose (12')
FRH10014	1" Hose (14')
FRH10020	1" Hose (20')

Part Number	Description
FRHA10020	1" Arctic Duty Hose (20')
FRHMN100S	1" Nozzle, Manual Leaded Spout
N100DAU13	1" Auto Shut Off Nozzle (Ultra High-Flow Diesel)
N100DAU10	1" Auto Shut Off Nozzle (High-Flow Diesel)
FRNA100DAU00	1" Auto Shut Off Nozzle (Arctic Duty - Diesel)
S100H315	1" Multi-Plane Swivel
B100F475	1" Breakaway
WH10012	1" Whip Hose

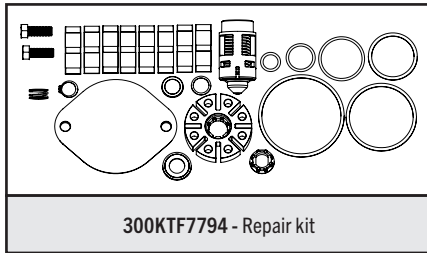
Replacement Parts Information

For repairs or routine maintenance, Fill-Rite offers the parts you need. The following parts diagram and list covers all applicable parts for your Fill-Rite product. These parts can be obtained through any authorized Fill-Rite dealer. Be sure to use only genuine Fill-Rite replacement parts for your service and maintenance needs. For a list of authorized dealers, please visit fillrite.com.

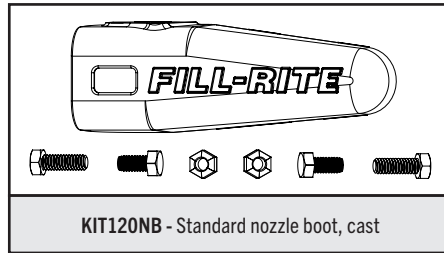


WARNING

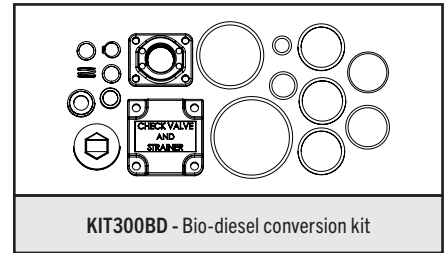
DO NOT open or attempt to repair the motor on your FR300V series pump. Opening the motor case can compromise the integrity of the Explosion Proof construction and will void any existing warranty and certification (UL listing). Please refer to the Warranty Policy located on page 2.



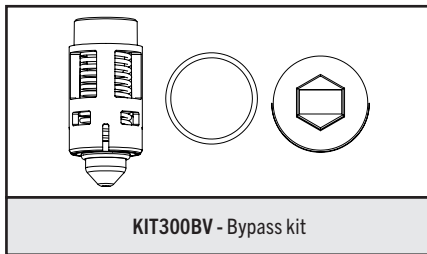
300KTF7794 - Repair kit



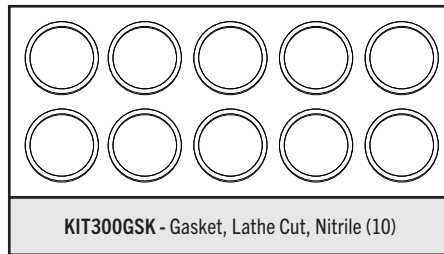
KIT120NB - Standard nozzle boot, cast



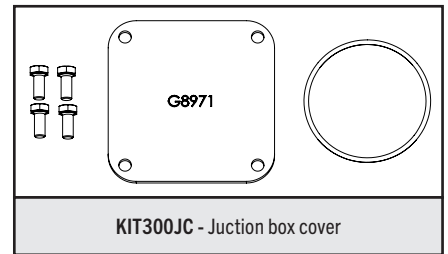
KIT300BD - Bio-diesel conversion kit



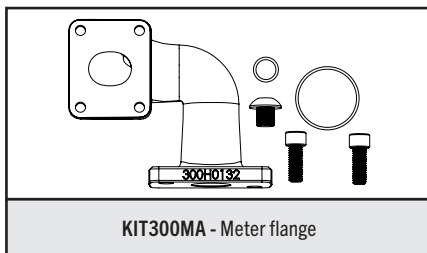
KIT300BV - Bypass kit



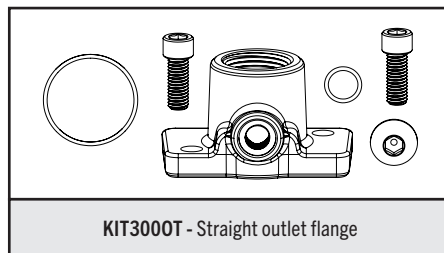
KIT300GSK - Gasket, Lathe Cut, Nitrile (10)



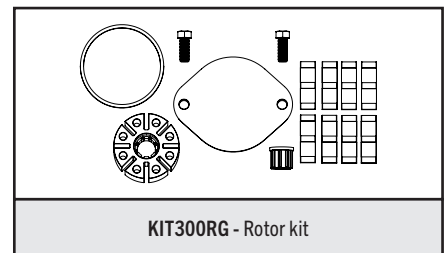
KIT300JC - Junction box cover



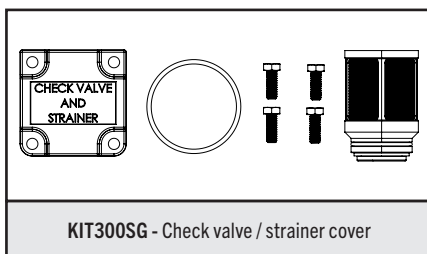
KIT300MA - Meter flange



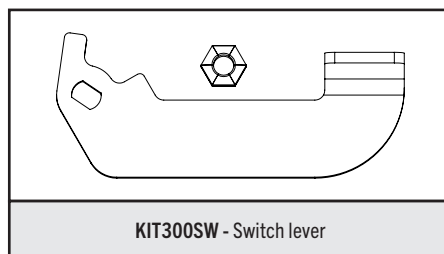
KIT300OT - Straight outlet flange



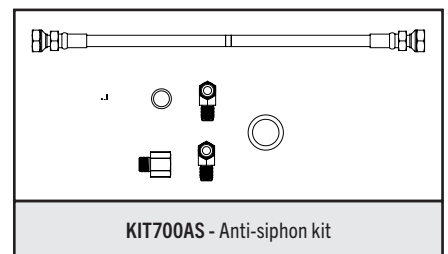
KIT300RG - Rotor kit



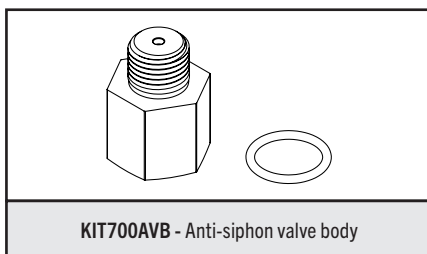
KIT300SG - Check valve / strainer cover



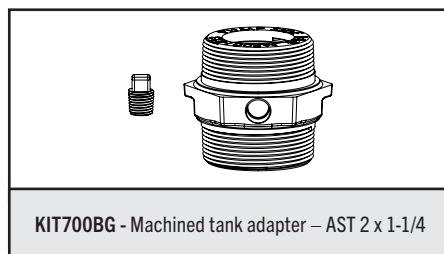
KIT300SW - Switch lever



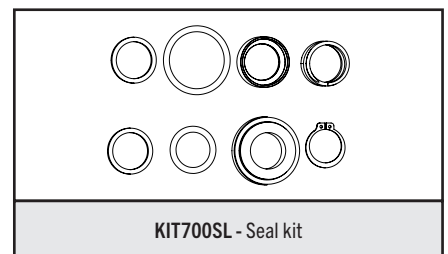
KIT700AS - Anti-siphon kit



KIT700AVB - Anti-siphon valve body

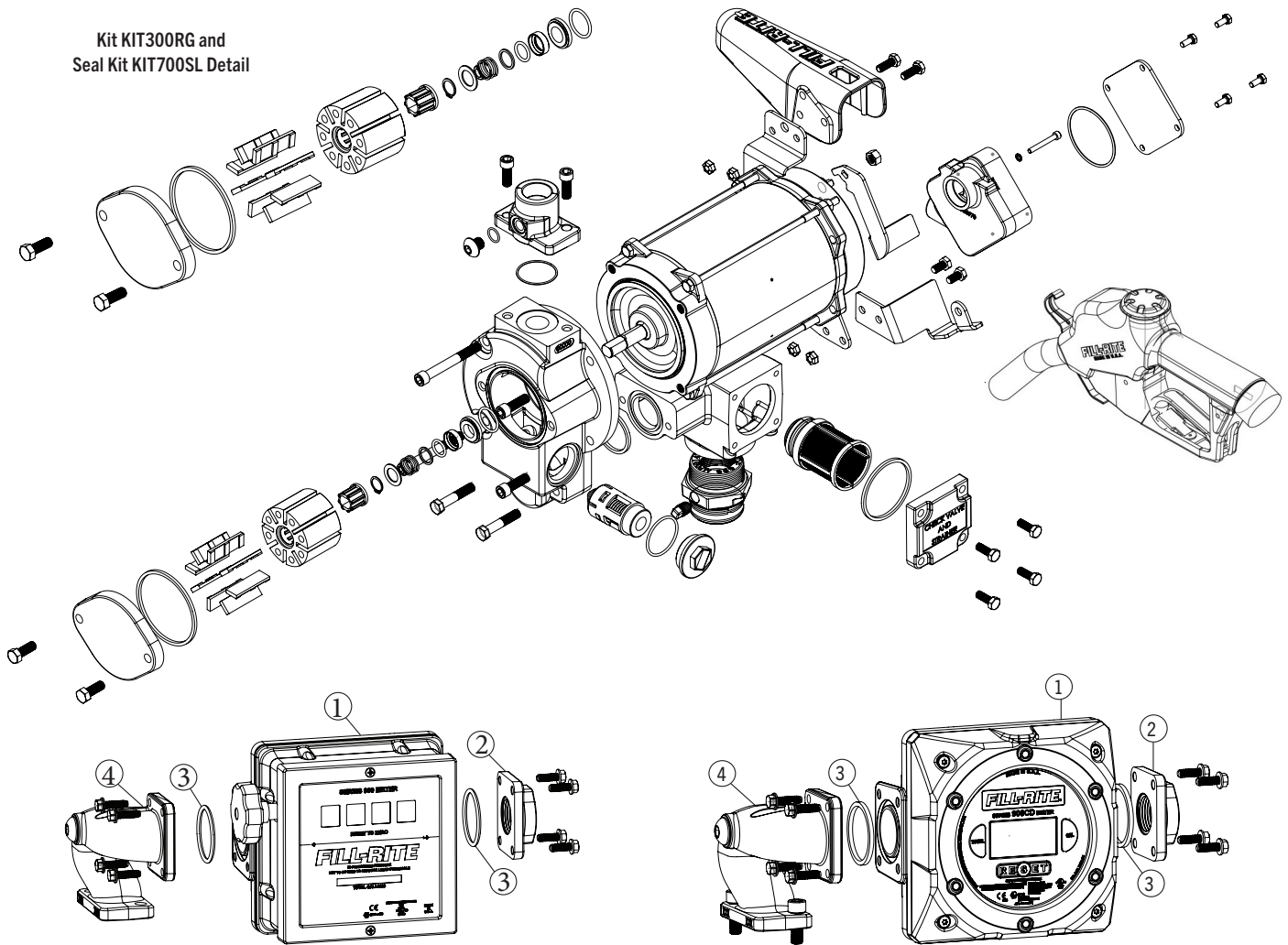


KIT700BG - Machined tank adapter – AST 2 x 1-1/4



KIT700SL - Seal kit

FR300V / FR310V / FR311V / FR319V Parts List



FR311V Parts List

The FR311V configuration adds a 901C Series mechanical meter, inlet meter flange, outlet meter flange, the associated attaching hardware, and gaskets. This package is available in gallon or liter register.

#	Gallon Kit #	Description	Liter Kit #	Qty
1	901C	901C Meter (only) (Gallons)	--	1
2	901C Meter (Gallon) Kit # 901CMK300V	Meter Flange	901CL Meter (Liter) Kit #	1
3		Meter Gasket	901CLMK300V	2
4		1" Meter Fitting		1
1	--	901CL Meter (only) (Liters)	901CL	1

FR319V Parts List

The FR319V configuration adds a 900CD or 900CDP series digital meter, inlet meter flange, outlet meter flange, the associated attaching hardware, and gaskets. This package is available in pulsing or non-pulsing configuration.

#	FR319VB Kit #	Description	FR319VBP Kit #	Qty
--	900CD Digital Meter (no pulser) FR319VB	900CDP Meter	900CDP	1
2		Meter Flange	900CDP Meter w/ integral pulser FR319VBP	1
3		Meter Gasket		2
4		1" Meter Fitting		1
1	900CD	900CD Meter (only)		--
N/S	--	Intrinsic Safety Barrier*	KIT900DPBA	1

*For use with 900CDP pulsing meter only

NOTICE

DO NOT open or attempt to repair the motor on your FR300V series pump. Opening the motor case can compromise the integrity of the Explosion Proof construction and will void any existing warranty and certification (UL listing). Please refer to the Warranty Policy located on page 2.

ATTENTION!

The following information is for suffix "E" pumps and meters. Refer to the information label applied to your pump to see if it is applicable.

Motor Plate Information

ENTRY THREADS ARE M20-1,5 6H
VOLT: 115/230 Hz: 60/50 HP: ¾ AMB TEMP: 40°C PH: 1 RPM: 1725/1425
DUTY RATING: 30 MIN. FLA: 9.8/4.9/11.4/5.7 INS: B

Serial Number and Year of Manufacture.

Fill-Rite
8825 Aviation Drive
Fort Wayne, IN 46809 USA



II 2 G
Ex db h IIA T4 Gb
FM09ATEX0075X
Ex db IIA T4 Gb
IECEx FMG19.0014X

WARNING – DO NOT OPEN WHEN AN EXPLOSIVE ATMOSPHERE IS PRESENT.

Materials of Construction

Materials of construction of the external surface of the unit are: painted steel; painted cast iron; painted aluminum; zinc plated steel.

Materials of construction of the wetted parts are: cast iron; steel; zinc plated steel; 300 series stainless steel; carbon; polyester; fluorocarbon; Teflon; brass; iron; copper; buna; 400 series stainless steel; aluminum.

Repair and Maintenance

Contact the place of purchase for warranty repair and maintenance.

Installation

Pump must be installed in compliance with EN 60079-14 or IEC 60079-14, as applicable.

Certificates for Compliance of Safety have been obtained for the following agencies for products sold outside the US and Canada. Please refer to the tag on your particular product for its particular compliance data.

Specific Conditions of Use

1. Consult the manufacturer if dimensional information on the flameproof joints is necessary.
2. ISO Class 8.8, M6 hex-head screws (Yield Stress 640 MPa) shall be used to replace the terminal cover fasteners.
3. ISO Class 8.8, M8 hex-head screws (Yield Stress 640 MPa) shall be used to replace the stator housing fasteners.
4. An electrically conductive hose and nozzle must be used with flammable liquids. To minimize static electricity buildup, always keep the nozzle in contact with the container being filled during the fueling process.

The following standards were used to show compliance in the European Union:

EN IEC 60079-0:2018, Ed 7 "Explosive atmospheres – Part 0: Equipment –General requirements"

EN 60079-1:2014, Ed 7 "Explosive atmospheres – Part 1: Equipment protection by flameproof enclosures "d" "

EN ISO 80079-36:2016, Ed 1 "Explosive atmospheres – Part 36: Non-electrical equipment for explosive atmospheres – Basic method and requirements"

EN ISO 80079-37:2016, Ed 1 "Explosive atmospheres – Part 37: Non-electrical equipment for explosive atmospheres – Non electrical type of protection constructional safety "c", control of ignition source "b", liquid immersion "k" "

Directive 2014/34/EU – Equipment and protective systems intended for use in potentially explosive atmospheres.

Directive 2011/65/EU – Restrictions of the use of certain hazardous substances in electrical and electronic equipment.

The following standards were used to show compliance for IECEx certification:

IEC 60079-0:2017, Ed 7

IEC 60079-1:2014, Ed 7

Segurança



FILL-RITE®

A GORMAN-RUPP COMPANY

Fill-Rite Company
8825 Aviation Drive
Fort Wayne, Indiana 46809 USA

T 1 (800) 720-5192
1 (260) 747-7524
F 1 (800) 866-4681



fillrite.com | soter.com | gormanrupp.com

FILL-RITE®

POMPE DE TRANSFERT DE CARBURANT SÉRIE FR300V

Manuel d'installation et d'utilisation



MADE IN 
USA
WITH GLOBAL MATERIALS


GORMAN-RUPP
COMPANY

Sommaire

Merci! 2

Garantie limitée 2

À propos de ce manuel..... 3

Informations sur la sécurité 3

Installation 3-4

Dispositif anti-siphon..... 5

Adaptateur de bonde et installation du tuyau d'aspiration 5

Installation de la gaine de pistolet 5

Cableado eléctrico..... 6

Procédure de câblage 6

Instructions opérationnelles 6

Cadenassage 6

Homologations de tests de sécurité 7

Compatibilité des fluides 7

Informations techniques / Spécifications 7

Dépannage 8-9

Accessoires 9

Informations sur les pièces de rechange..... 10-11

Informations sur le modèle 300VE 12

Merci!

Merci pour votre loyauté envers la marque de pompes de transfert de carburant Fill-Rite®. Votre sécurité est importante, c'est pourquoi nous vous invitons à lire et à bien comprendre les instructions figurant dans ce manuel. En outre, veuillez conserver ce manuel pour toute référence ultérieure et y consigner le modèle, le numéro de série et la date d'achat de la pompe de transfert de carburant. Protégez-vous et tous ceux qui vous entourent en respectant toutes les consignes de sécurité, ainsi que tous les symboles Danger, Avertissement et Attention. Veuillez enregistrer ce produit Fill-Rite® à l'adresse info.fillrite.com/product_registration

POLITIQUE DE RETOUR - IMPORTANT

Veuillez ne pas retourner ce produit au magasin. Pour toutes les questions sur la garantie et les produits, veuillez contacter le support technique de Fill-Rite au 1 (800) 720-5192 ou par e-mail à FillRiteTech@fillrite.com (M-V, 8h00 - 17h00 HE).

N° DE MODÈLE	
N° DE SÉRIE	
DATE D'ACHAT :	



Garantie limitée

Fill-Rite Fort Wayne garantit que les marchandises fabriquées sont exemptes de défauts de pièces et de main-d'œuvre. Voir les détails spécifiques de la garantie pour chaque produit à fillrite.com.

À propos de ce manuel

De la conception et des plans initiaux à la production finale, votre pompe Fill-Rite a été fabriquée pour vous apporter des années d'utilisation sans incident. Afin qu'il vous apporte ce service, **il est essentiel que vous lisiez entièrement ce manuel avant d'installer et de faire marcher votre nouvelle pompe.** Familiarisez-vous avec les termes et les schémas, et faites attention aux parties en surbrillance sur les étiquettes suivantes :

⚠ DANGER

Indique une situation dangereuse qui, si elle n'est pas évitée, entraînera la mort ou des blessures graves.

⚠ AVERTISSEMENT

Signale une partie où le non-respect des instructions **peut** entraîner de graves blessures, voire la mort. Des dommages mécaniques peuvent également se produire.

⚠ ATTENTION

Le non-respect d'une « attention » peut endommager le matériel.

AVIS

Ces encadrés contiennent des informations illustrant un point qui peut faire gagner du temps, être la clé d'un fonctionnement correct ou éclaircir une étape.

Chez Fill-Rite, votre satisfaction avec nos produits est primordiale pour nous. Si vous avez des questions ou avez besoin d'aide avec votre produit, veuillez nous contacter au 1 (800) 720-5192 ou par e-mail à FillRiteTech@fillrite.com (L-V, 8h00 - 17h00 HE).

Informations sur la sécurité

⚠ AVERTISSEMENT

Le câblage électrique doit être effectué **UNIQUEMENT** par un électricien agréé conformément aux codes locaux, européens et nationaux de l'électricité NEC/ANSI/NFPA 70, NFPA NFPA30 et NFPA 30A et en fonction de l'utilisation à laquelle est destinée la pompe. Utiliser le cas échéant des conduits rigides filetés, des raccords étanches et un joint conducteur. La pompe doit être correctement mise à la terre. Une mauvaise installation ou utilisation de cette pompe peut entraîner de graves blessures corporelles, voire même la mort !

1. NE JAMAIS fumer à proximité de la pompe ou utiliser la pompe près de flammes nues lors d'un pompage de liquides inflammables ! Un incendie pourrait se produire !
2. Un filtre « Fill-Rite » doit être posé à la sortie de la pompe pour assurer qu'aucun matériau étranger ne soit transféré dans le réservoir de carburant.
3. Les joints et les raccords filetés des tubes doivent être rendus étanches avec l'agent d'étanchéité ou le ruban d'étanchéité approprié afin de minimiser les risques de fuite.
4. Les réservoirs de stockage doivent être bien fixés pour éviter le déplacement ou le basculement lorsqu'ils sont pleins ou vides.
5. Pour réduire au minimum l'accumulation d'électricité statique, utiliser uniquement un tuyau flexible à conducteur statique lors du pompage de liquides inflammables et maintenir le pistolet de remplissage en contact avec le récipient qui se remplit pendant le processus de remplissage.
6. Le moteur de pompe est muni d'une protection de surcharge thermique. En cas de surchauffe, le moteur s'arrêtera pour ne pas endommager les enroulements. Dans ce cas, **METTRE LA POMPE HORS TENSION !** Lorsque le moteur refroidit, il redémarrera sans préavis si la pompe est sous tension.

⚠ AVERTISSEMENT

Ce produit ne devra pas être utilisé pour transférer des fluides dans des avions, quel que soit leur type.

⚠ AVERTISSEMENT

Ce produit ne doit pas être utilisé avec des liquides prévus pour la consommation humaine ou des liquides contenant de l'eau.

Installation

La pompe Fill-Rite de Série FR300V est conçue pour offrir plusieurs configurations de montage différentes. Elle peut être montée sur un réservoir plateforme à l'aide de l'adaptateur de réservoir fourni avec la pompe (voir les schémas ci-joints) ou montée sur un îlot de béton à l'aide d'un adaptateur de colonne optionnel (disponible auprès de votre distributeur Fill-Rite). Quel que soit le type de montage, tous les réservoirs doivent être correctement ventilés.

La pompe de Série FR300V est munie d'un clapet de retenue incorporé avec une soupape de décharge pour diminuer toute pression excessive dangereuse de l'expansion thermique du fluide. Votre pompe est également munie d'une soupape de dérivation intégrale pour permettre de minimiser l'usure lorsque la pompe fonctionne et que l'injecteur est fermé.

⚠ ATTENTION

N'utiliser ni clapets anti retour ni clapets à pied supplémentaires à moins qu'ils n'intègrent une soupape de surpression appropriée. À noter que des clapets anti retour supplémentaires réduiront le débit.



Les joints et les raccords filetés des tubes doivent être rendus étanches avec l'agent d'étanchéité ou le ruban d'étanchéité approprié afin de minimiser les risques de fuite.

Installation classique sur réservoir plateforme

Matériaux:

- Tuyau de 1-1/4 po coupé de telle sorte qu'il se prolonge jusqu'à au moins 8 cm (3 po) du fond du réservoir lorsqu'il sera installé dans l'adaptateur de réservoir, ce dernier étant installé dans la collerette du réservoir (voir le diagramme INSTALLATION DE RÉSERVOIR PLATEFORME).
- Pâte d'étanchéité pour joints de tuyaux filetés appropriée pour l'application.

Procédure d'installation:

1. Visser le tuyau de 1-1/4 po dans l'adaptateur du réservoir. Sceller complètement le filetage à l'aide d'une pâte d'étanchéité liquide appropriée.
2. Installer l'adaptateur dans la collerette du réservoir; sceller complètement le filetage à l'aide d'une pâte d'étanchéité liquide appropriée.
3. Monter la pompe sur l'adaptateur; sceller complètement le filetage à l'aide d'une pâte d'étanchéité liquide appropriée.
4. Fill-Rite recommande l'installation de notre dispositif anti-siphon.

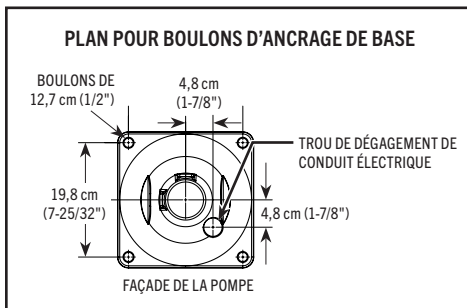
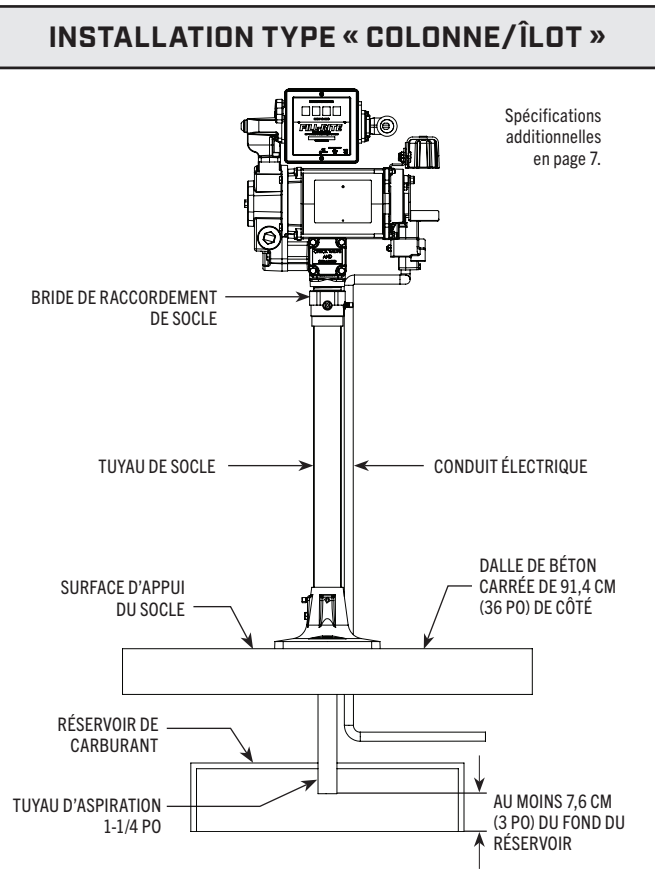
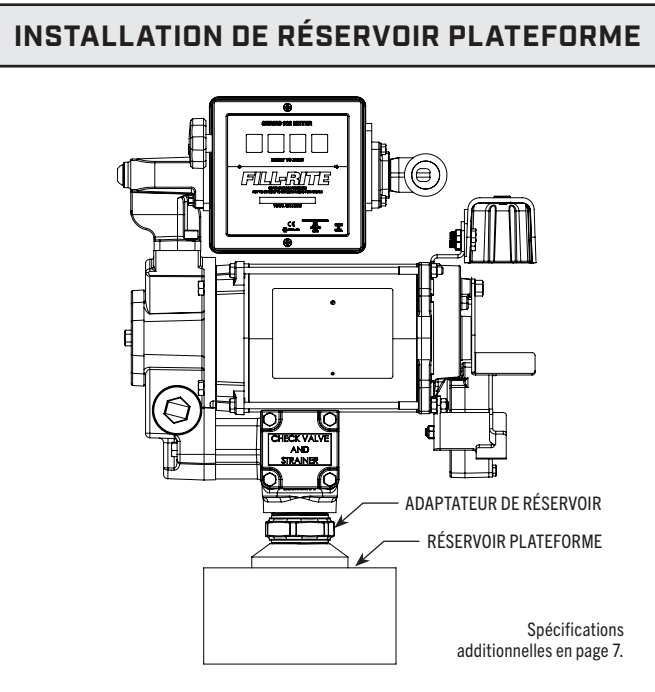
Installation type « colonne/îlot »

Matériaux:

- Tube d'aspiration fileté de 1-1/4 po, coupé pour s'étendre à 83 cm (32-1/2 po) au-dessus de l'îlot.
- Kit de colonne FRPA125 (inclut un tuyau de colonne, une base et un raccord).
- Pâte d'étanchéité pour joints de tuyaux filetés appropriée pour l'application.

Procédure d'installation:

1. Retirer le raccord du tuyau de colonne en desserrant les vis de pression.
2. Faire glisser l'ensemble tuyau de colonne/base de pompe au-dessus du tuyau d'aspiration de 1-1/4 po.
3. Desserrer les vis dans la base de colonne pour permettre au tuyau de colonne de glisser vers le bas en exposant l'extrémité du tuyau d'aspiration.
4. Visser le raccord sur le tuyau d'aspiration; sceller complètement le filetage à l'aide d'une pâte d'étanchéité liquide appropriée.
5. Faire glisser le tuyau de colonne dans le raccord et serrer les vis de pression.
6. Serrer les vis dans la base de colonne.
7. Monter la pompe sur le raccord et sceller complètement le filetage à l'aide d'une pâte d'étanchéité liquide appropriée.





Les joints et les raccords filetés des tubes doivent être rendus étanches avec l'agent d'étanchéité ou le ruban d'étanchéité approprié afin de minimiser les risques de fuite.

Dispositif anti-siphon

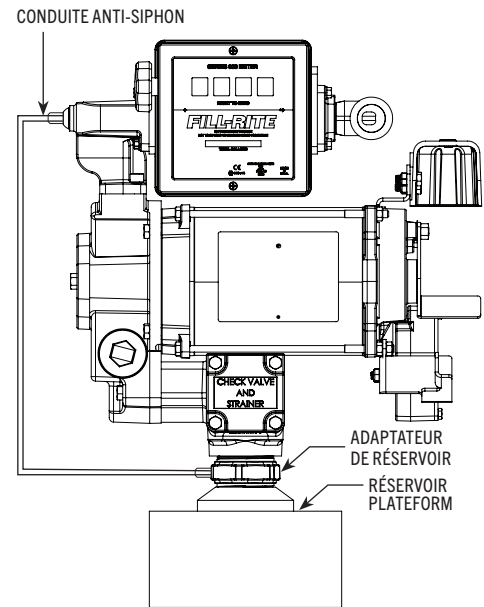
La pompe de Série FR300V est expédiée de l'usine prête à installer un tuyau anti-siphon dans le réservoir. Un dispositif anti-siphon (soit un casse-vide) est important parce qu'il cassera un siphon de liquide s'il y a une buse ouverte ou une fuite de tuyau sous le niveau de fluide dans le réservoir lorsque la pompe est désactivée. Fill-Rite recommande d'installer le kit anti-siphon Réf. KIT700AS à partir de la sortie de la pompe vers l'espace de vapeur dans le réservoir.

Cette illustration indique où installer le tuyau de sorte qu'il se termine dans l'espace de vapeur sur le haut du réservoir. Le tuyau doit se terminer dans l'espace de vapeur ; s'il se termine au-dessous du niveau de fluide dans le réservoir, il n'empêchera pas le siphonage. Il est très important qu'il n'y ait pas de liquide piégé dans la tuyauterie ; il doit y avoir une pente continue de la pompe vers le réservoir et la tuyauterie peut être connectée à toute ouverture dans le haut du réservoir si l'adaptateur de réservoir n'est pas utilisé. Utiliser des raccords de réduction tel que requis pour un bon ajustage et une bonne étanchéité.

Il est recommandé d'utiliser un adaptateur de réservoir anti-siphon avec une ouverture de 1/4 po NPT sur le côté. Cette ouverture se termine dans l'espace de vapeur du réservoir. Effectuer des connexions étanches à l'aide d'une pâte d'étanchéité liquide appropriée à partir de l'adaptateur jusqu'à la sortie anti-siphon en utilisant un tuyau en métal de 1/4 po compatible avec le liquide à pomper. Si l'adaptateur de réservoir anti-siphon est utilisé et que l'ouverture de 1/4 po NPT n'est pas utilisée pour la tubulure, laisser la fiche installée en usine en place.

Fill-Rite offre le kit Anti-Siphon Réf. KIT700AS (disponible auprès d'un distributeur Fill-Rite). Ce kit contient les raccords et la tubulure nécessaires pour terminer l'installation telle qu'illustrée à cette section. **REMARQUE : Ce kit est requis UNIQUEMENT pour les installations sur le dessus du réservoir.**

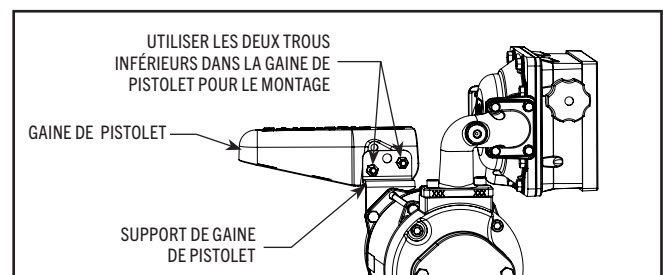
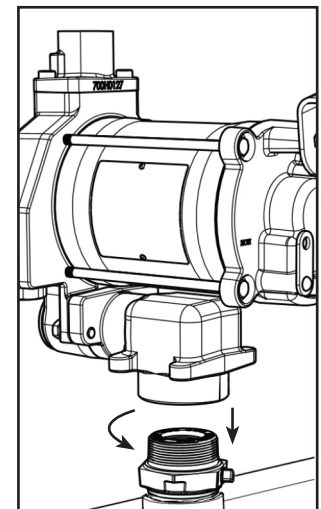
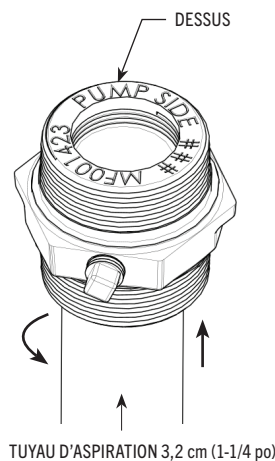
Si le KIT700AS n'est pas utilisé, il faudra le KIT700AVB. Cela permettra de raccorder une ligne soit à l'arrière de la citerne, soit à l'adaptateur de bonde.



Adaptateur de bonde / Ensemble de tuyau d'aspiration et installation

Les pompes de série FR300V offrent un adaptateur de bonde de 5 cm (2 po) avec connexion intégrée pour un dispositif anti-siphon. Lors de l'installation du tuyau d'aspiration dans l'adaptateur de bonde, le tuyau doit être inséré correctement dans l'adaptateur pour un bon fonctionnement. Le tuyau d'aspiration se visse dans l'adaptateur de citerne de la bride d'admission et doit être coupé à la longueur qui le place à au moins 7,6 cm (3 po) du fond de la citerne.

1. Tel que décrit plus haut, mesurer et couper le tuyau d'aspiration pour qu'il corresponde.
2. Examiner l'adaptateur de bonde pour déterminer le haut et le bas en vue de l'insertion adéquate du tuyau d'aspiration. L'adaptateur de bonde est étiqueté pour en faciliter la pose : l'extrémité marquée « PUMP SIDE » représente le haut de l'adaptateur. Noter que le filetage interne du tuyau d'aspiration se trouve sur le dessus (« TOP ») de l'ouverture.
3. Envelopper le filetage du tuyau d'aspiration de produit d'étanchéité approprié au liquide pompé. Insérer le tuyau d'aspiration (côté fileté vers le haut) dans le bas de l'adaptateur de bonde jusqu'à ce que les filets s'engagent.
4. Serrer le tube d'aspiration dans l'adaptateur de bonde pour créer un joint d'étanchéité air / liquide.
5. Appliquer un composé antigrippant sur les filets externes, à la base de l'adaptateur de bonde. Installer l'adaptateur de bonde et le tuyau d'aspiration assemblés dans l'ouverture de bonde de la citerne. Serrer pour obtenir une étanchéité liquide / air.
6. Installer la pompe sur l'adaptateur de bonde en utilisant le produit d'étanchéité adéquat et serrer pour obtenir une étanchéité liquide / air.



Installation de la gaine de pistolet

La gaine du pistolet est installée à l'aide des deux trous de vis inférieures sur le côté de la gaine. Utiliser la visserie de fixation pour installer la gaine du pistolet.

Lorsque le pistolet est monté correctement, il sera en position horizontale.

Câblage électrique

AVERTISSEMENT

Le câblage électrique doit être effectué **UNIQUEMENT** par un électricien agréé conformément aux codes locaux, européens et nationaux de l'électricité NEC/ANSI/NFPA 70, NFPA NFPA30 et NFPA 30A et en fonction de l'utilisation à laquelle est destinée la pompe. Utiliser le cas échéant des conduits rigides filetés, des raccords étanches et un joint conducteur. La pompe doit être correctement mise à la terre. Une mauvaise installation ou utilisation de cette pompe peut entraîner de graves blessures corporelles, voire même la mort !

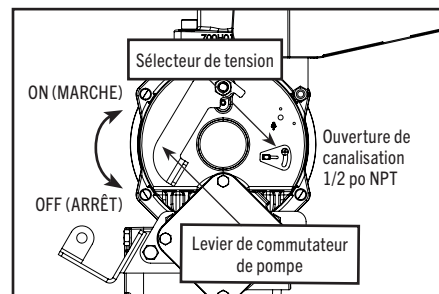
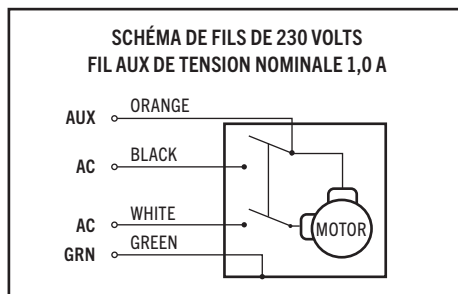
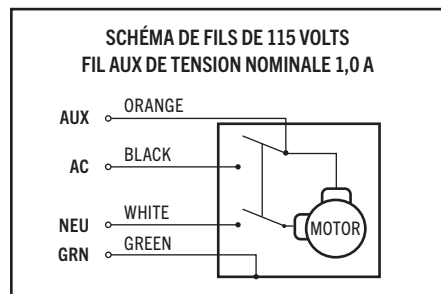
ATTENTION

Toutes les pompes doivent fonctionner sur la tension nominale indiquée sur la plaque signalétique. Alimenter la pompe à partir d'un disjoncteur spécialisé de 30 A. Aucun autre matériel ne doit être alimenté par ce circuit. Le câblage doit être de calibre suffisant pour transporter le courant nécessaire au fonctionnement de la pompe. Les chutes de tension varieront en fonction de la distance avec la pompe et du calibre du câble. Consulter le Code national de l'électricité (NEC) ou les codes locaux pour la compensation des chutes de tension et pour s'assurer d'utiliser le calibre de câble approprié à l'application.

Procédure de câblage

AVERTISSEMENT

Le fil « AUX. » est un **FIL SOUS TENSION** lorsque le commutateur est sous tension ! Le fil « AUX » est isolé et enclos lors de l'expédition. **NE PAS** connecter ce fil sans vérifier d'abord la tension de ligne « ON » du fil pour compatibilité avec l'équipement à installer. L'intensité maximum de ce fil est de 1 A. Le fil « AUX » doit être isolé et enclos dans la boîte de jonction s'il n'est pas utilisé.



1. Retirer le couvercle de la boîte de jonction électrique de la pompe et redresser les fils pour que les extrémités dénudées soient accessibles de l'extérieur de la boîte de jonction.
2. Connecter les fils de la pompe au secteur en respectant le schéma. S'assurer d'isoler correctement les connexions à l'aide de capuchons de connexion ou d'autres connecteurs appropriés. À noter que le fil de mise à la masse DOIT être connecté.
3. Replier les fils dans la boîte de jonction et remettre le couvercle en place en s'assurant que le joint est bien en place.

Utiliser le sélecteur de tension sur l'extrémité de la pompe pour sélectionner la tension d'entrée pour la pompe. **REMARQUE: La pompe est expédiée de l'usine pré réglée en position 115 VCA.**

AVIS

S'assurer que le joint du couvercle est bien en place et que les vis serrent le couvercle sur la boîte de jonction. Il ne doit y avoir aucun espace entre la boîte de jonction et son couvercle.

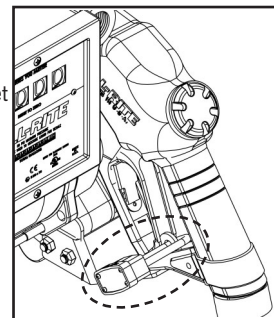
		LONGUEUR MAXIMALE DE CÂBLE M (PI)											
		Fil massif						Fil torsadé					
AWG		14	12	10	8	6	4	14	12	10	8	6	4
1/2 HP	115 V CA [moteur 60 Hz]	18,9 (62)	30,2 (99)	48,2 (158)	76,2 (250)	--	--	18,6 (61)	29,3 (96)	46,9 (154)	74,7 (245)	118,6 (389)	189,0 (620)
	230V CA [moteur 50Hz]	65,2 (214)	103,6 (340)	165,2 (542)	261,8 (859)	--	--	63,7 (209)	100,9 (331)	161,2 (529)	257,3 (844)	--	--
	230 V CA [moteur 60 Hz]	67,4 (221)	107,0 (351)	170,7 (560)	270,4 (887)	--	--	65,8 (216)	104,2 (342)	166,4 (546)	265,5 (871)	--	--
3/4 HP	115 V CA [moteur 60 Hz]	13,4 (44)	21,6 (71)	34,4 (113)	54,3 (178)	--	--	13,1 (43)	21,0 (69)	33,5 (110)	53,3 (175)	84,7 (278)	135,0 (443)
	230 V CA [moteur 50Hz]	44,5 (146)	70,7 (232)	112,5 (369)	178,3 (585)	--	--	43,3 (142)	68,9 (226)	109,7 (360)	175,0 (574)	--	--
	230 V CA [moteur 60 Hz]	45,4 (149)	72,2 (237)	114,9 (377)	182,3 (598)	--	--	44,2 (145)	70,4 (231)	112,2 (368)	178,9 (587)	--	--

Instructions opérationnelles

1. Réinitialiser le compteur à « 0 » (le cas échéant).
2. Retirer le pistolet de distribution de sa gaine.
3. Amener le levier de commutation sur la position « ON » pour mettre sous tension la pompe.
4. Insérer le pistolet de distribution dans le récipient à remplir.
5. Faire fonctionner le pistolet pour distribuer le liquide. Relâcher le pistolet lorsque la quantité désirée de liquide a été distribuée.
6. Amener le levier de commutation sur la position « OFF » pour mettre la pompe hors tension.
7. Retirer le pistolet de distribution du récipient et le replacer dans sa gaine.

Cadenassage

Il est possible de poser un cadenas sur le pistolet de distribution de la pompe Fill-Rite pour plus de sécurité. Une fois la pompe mise hors tension et le pistolet dans sa gaine, un cadenas peut être inséré à travers le support de pistolet et l'ouverture de la poignée du pistolet. Cette configuration empêche le retrait du pistolet de sa gaine.



ATTENTION

Toujours maintenir le pistolet en contact avec le récipient pendant son remplissage pour réduire au minimum le risque d'accumulation d'électricité statique.

Homologations de tests de sécurité

Les pompes Fill-Rite FR300V ont fait l'objet d'essais de sécurité en vue de leur conformité aux normes établies par les UL Laboratories.



Compatibilité des fluides

Carburant Diésel, kérosène, essences minérales, solvants Stoddard, heptane, biodiésel (B20 max.) et biodiésel (B21 – B100) avec KIT300BD.

AVIS

En cas de doute de compatibilité d'un liquide spécifique, contacter le fournisseur du liquide pour vérifier toute réaction nuisible aux matériaux mouillés suivants : fonte, acier, acier plaqué zinc, acier inoxydable 300, carbone, polyester, chlorofluorocarbène, Teflon, laiton, fer, cuivre, butadiène-styrène, acier inoxydable 400, aluminium.

Informations techniques / Spécifications

Caractéristiques techniques

- Admission : Bonde : 2 po mâle NPT ; tuyau d'aspiration - 1-1/4" femelle NPT ou sur modèles "E" : Bonde : 2 po mâle BSPT ; tuyau d'aspiration - 1-1/2" BSPP.
- Sortie : 1 po NPT ou 1 po BSPT (BSPT sur modèles "E").
- Corps de pompe en fonte : rotor en fer (composite) et ailettes en carbone (composite).
- Sécurité : Pompe équipée pour le cadenasage (voir la page 7 pour détails).
- Protection contre les surcharges thermiques.
- Commutateur à grand rendement.
- Cycle de service de 30 minutes.
- Moteur antidéflagrant homologué UL avec roulements étanches ne requérant aucune maintenance.
- Clapet de retenue avec soupape de décharge sur le côté admission empêche la pression de s'accumuler et améliore la hauteur verticale.
- Filtre à accès aisé.
- Soupape de dérivation automatique.
- Base fileté 2 po pour ouvertures de réservoir.
- Débit en ampères constant (facteur de service de 1,0) :
 - 115 Vca 60Hz – 9,8 A / 50Hz – 11,4 A.
 - 230 Vca 60Hz – 4,9 A / 50Hz – 5,7 A.

Dimensions hors-tout:

- Modèle 310V : l 435 mm x h 381 mm x p 378 mm (l 17,12 po x h 15 po x p 14,9 po)
- Modèle 311V : l 435 mm x h 489 mm x p 378 mm (l 17,12 po x h 19,25 po x p 14,9 po)
- Modèle 319V : l 435 mm x h 493 mm x p 378 mm (l 17,12 po x h 19,4 po x p 14,9 po)

Poids d'expédition:

FR310V : 36 kg (80 lb) / FR311V : 41 kg (91 lb) / FR319V : 42 kg (92 lb)

Accessoires:

Voir la Page 9 pour une liste complète d'accessoires disponibles.

Performance:

- Pression maximale de 1,79 bar (26 psi) à la sortie de la pompe.
- Maximum de 132 litres (35 gallons) la minute.
- Viscosité maximale de fluide pompé : n° 2 diesel fuel.
- Température opérationnelle maximale de la pompe : 66 degrés C (150 degrés F).
- Température minimale de fonctionnement de la pompe : -25 degrés C (-13 degrés F) (notez que le fonctionnement à des températures inférieures, nous recommandons le pistolet de distribution et le tuyau flexible « Arctique » que vous trouverez dans la section accessoires à la page 9).

Hauteur d'aspiration:

La hauteur en pieds est égale à la distance verticale de la surface du fluide dans le réservoir à l'admission de la pompe, MOINS de pertes de friction grâce aux parcours de tuyaux verticaux et horizontaux, tous les coudes et autres raccords. Le système doit être configuré pour requérir une quantité minimale de hauteur d'aspiration.

- Dans le cas de tous les autres modèles utilisés pour le carburant diesel n° 2 (3/4 hp), la hauteur géométrique d'aspiration est de 18 pi (5,5 m).

Dépannage

Le guide de dépannage suivant est fourni pour offrir une assistance de diagnostic de base en cas de fonctionnement anormal de votre pompe Fill-Rite.

Si vous avez des questions concernant l'installation, le fonctionnement ou l'entretien de votre produit, n'hésitez pas à contacter notre support technique au 1 (800) 720-5192 ou par e-mail à FillRiteTech@fillrite.com (du lundi au vendredi, de 8 h 00 à 17 h 00 HE). Vous pouvez également visiter fillrite.com.

AVERTISSEMENT

NE PAS ouvrir ni tenter de réparer le moteur de votre pompe de série FR300V. L'ouverture du boîtier du moteur peut compromettre l'intégrité de sa construction à l'épreuve des explosions et annulera toute garantie en vigueur et homologation (enregistrement UL). **Prière de consulter la Politique de Garantie à la page 2.**

AVERTISSEMENT

S'assurer que toutes les sources d'alimentation électrique de la pompe sont hors tension avant d'effectuer toute intervention ou opération de maintenance.

Sintoma	Causa	Solución
La pompe ne veut pas s'amorcer.	1. Problème de conduite d'aspiration	Vérifier la présence éventuelle de fuites dans la conduite d'aspiration
	2. Soupape de dérivation ouverte	Déposer et inspecter la soupape. Elle doit se déplacer librement et être exempte de tout débris
	3. Les ailettes se coincent	Vérifier les ailettes et les fentes pour la présence éventuelle de rayures, ébarbures et traces d'usure*
	4. Usure excessive du rotor ou des ailettes	Inspecter le rotor et les ailettes pour vérifier leur usure excessive ou d'éventuels dommages. Remplacer au besoin*
	5. Sortie colmatée	Vérifier la sortie de pompe, le tuyau, le pistolet et le filtre pour leur colmatage éventuel
	6. Grippage par vapeur	Diminuer la distance verticale et horizontale entre la pompe et le liquide. Retirer le pistolet automatique
Faible capacité.	1. Saleté excessive dans le filtre	Retirer et nettoyer le filtre
	2. Problème de conduite d'aspiration	Inspecter la conduite d'aspiration pour d'éventuelles fuites ou obstructions. Elle peut être trop petite, trop longue ou insuffisamment étanche
	3. La soupape de dérivation se coincent	Déposer et inspecter la soupape. Elle doit se déplacer librement et être exempte de tout débris
	4. Les ailettes se coincent	Vérifier les ailettes et les fentes pour d'éventuelles traces d'usure*
	5. Usure excessive du rotor ou des ailettes	Inspecter le rotor et les ailettes pour vérifier leur usure excessive ou d'éventuels dommages. Remplacer au besoin*
	6. Tuyau ou pistolet endommagé	Remplacer le tuyau ou le pistolet
	7. Filtre colmaté	Remplacer le filtre
	8. Niveau de fluide bas	Remplir le réservoir
La pompe tourne lentement.	1. Tension inappropriée	Vérifier la tension de ligne à l'arrivée pendant que la pompe tourne
	2. Les ailettes se coincent	Vérifier les ailettes et les fentes pour la présence éventuelle de rayures, ébarbures et traces d'usure*
	3. Problème de câblage	Vérifier la présence éventuelle de connexions desserrées
	4. Problème de moteur	Consulter la Politique de Garantie
Le moteur cale.	1. La soupape de dérivation se coincent	Déposer et inspecter la soupape. Elle doit se déplacer librement et être exempte de tout débris
	2. Tension faible	Inspecter le rotor et les ailettes pour vérifier leur usure excessive ou d'éventuels dommages
	3. Usure excessive du rotor ou des ailettes	Verifique si hay daño o desgaste excesivo en el rotor y las aspas*
	4. Débris dans la cavité de pompe	Nettoyer les débris dans la cavité de pompe
Le moteur surchauffe (Surcharge thermique déclenchée).	1. Pompage de fluides à viscosité élevée	Ces fluides ne peuvent être pompés que pendant de courtes périodes (cycle de service inférieur à 30 minutes)
	2. Filtre colmaté	Retirer et nettoyer le filtre
	3. Conduite d'aspiration obstruée	Déposer et nettoyer la conduite
	4. Problème de moteur	Consulter la Politique de Garantie
	5. Blocage du rotor de pompe	Nettoyer et vérifier le rotor et les ailettes de pompe*

Dépannage [suite]

Sintoma	Causa	Solución
Moteur défectueux.	1. Aucune puissance	Vérifier l'alimentation à l'arrivée
	2. Panne d'interrupteur	Consulter la Politique de Garantie
	3. Problème de moteur	Consulter la Politique de Garantie
	4. Panne du protecteur thermique	Consulter la Politique de Garantie
	5. Erreur de câblage ou fils desserrés	Vérifier le câblage
Fuite de liquide.	1. Joint torique défectueux	Vérifier tous les joints toriques
	2. Garniture d'étanchéité d'arbre sale	Nettoyer la garniture d'étanchéité et la chemise
	3. Garniture d'étanchéité d'arbre défectueuse	Remplacer la garniture d'étanchéité
	4. Liquide incompatible	Se reporter à la nomenclature des pièces immergées compatibles pour le fabricant du liquide (voir page 7)
	5. Attaches desserrées	Serrer les attaches
La pompe ronfle mais ne fonctionne pas.	1. Saleté dans la cavité de pompe	Nettoyer la cavité de pompe
	2. Problème de moteur	Consulter la Politique de Garantie
	3. Insert de rotor cassé	Retirer tous les débris et remplacer l'insert

Le texte en caractères gras fait référence à des réparations qui ne peuvent pas être effectuées par le propriétaire; prière de consulter la Politique de Garantie à la page 2.

* Les réparations indiquées par un astérisque (*) nécessitent le kit de réparation 300KTF7794. Ce kit inclut un rotor de rechange et de nouvelles ailettes, ainsi qu'un certain nombre de joints et composants importants pour terminer la réparation.

Accessoires

Une vaste gamme d'accessoires est disponible pour permettre de maximiser la performance de la pompe Fill-Rite. Les accessoires disponibles applicables à un produit spécifique sont indiqués ci-dessous. Prière de contacter un distributeur agréé Fill-Rite pour acheter les accessoires dont on a besoin.

Référence	Description
F4010PM0	1 Kit de filtre 1 po (Particule de 10 microns)
F4030M0	1 Kit de filtre 1 po (Particule de 30 microns)
700ACCF7017	Kit de montage sur colonne en îlot
FRPA125	Kit anti-siphon
KIT700AS	Juego antisifón
FRH10012	Tuyau de 1 po (3,7 m [12 pi])
FRH10014	Tuyau de 1 po (4,3 m [14 pi])
FRH10020	Tuyau de 1 po (6,1 m [20 pi])

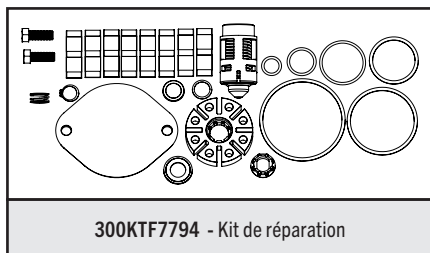
Référence	Description
FRHA10020	Tuyau arctique de 1 po (6,1 m [20 pi])
FRHMN100S	Kit de pistolet de 1 po, embout manuel à plomb
N100DAU13	Pistolet à arrêt automatique de 1 po (diesel à débit ultra élevé)
N100DAU10	Pistolet à arrêt automatique de 1 po (diesel à débit élevé)
FRNA100DAU00	Pistolet à arrêt automatique de 1 po (diesel - service arctique)
S100H315	Pivot multi-plan 1 po
B100F475	Accouplement de rupture 1 po
WH10012	Flexible court 1 po

Informations sur les pièces de rechange

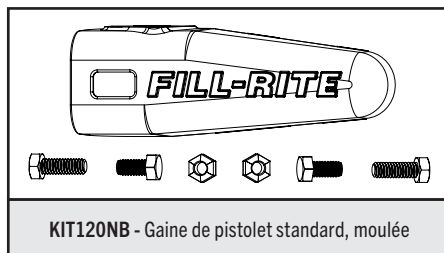
Pour les réparations ou une maintenance de routine, Fill-Rite offre les pièces dont on a besoin. Le schéma et la liste des pièces suivants couvrent toutes les pièces applicables au produit Fill-Rite. Ces pièces peuvent être obtenues auprès d'un distributeur agréé Fill-Rite. S'assurer de n'utiliser que des pièces de rechange originales de Fill-Rite pour l'entretien et les réparations. Pour obtenir une liste de concessionnaires agréés, prière de consulter fillrite.com.



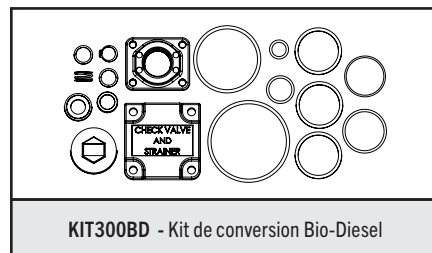
AVERTISSEMENT NE PAS ouvrir ni tenter de réparer le moteur de votre pompe de série FR300V. L'ouverture du boîtier du moteur peut compromettre l'intégrité de sa construction à l'épreuve des explosions et annulera toute garantie en vigueur et homologation (enregistrement UL). Prière de consulter la Politique de Garantie à la page 2.



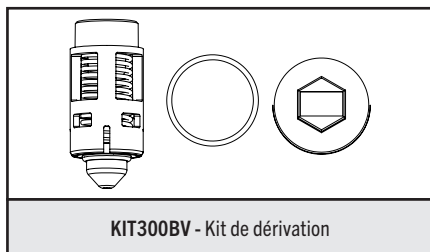
300KTF7794 - Kit de réparation



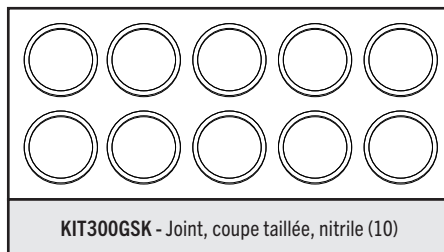
KIT120NB - Gaine de pistolet standard, moulée



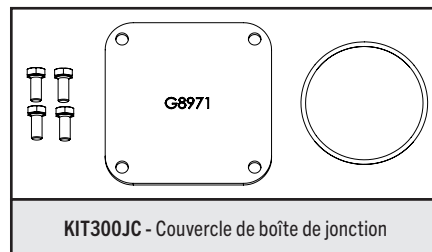
KIT300BD - Kit de conversion Bio-Diesel



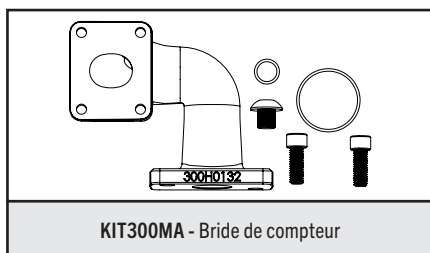
KIT300BV - Kit de dérivation



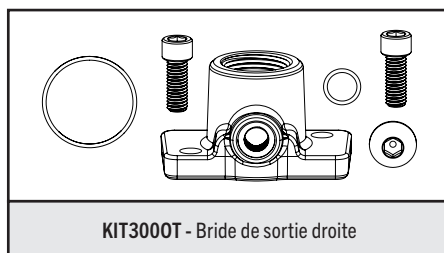
KIT300GSK - Joint, coupe taillée, nitrile (10)



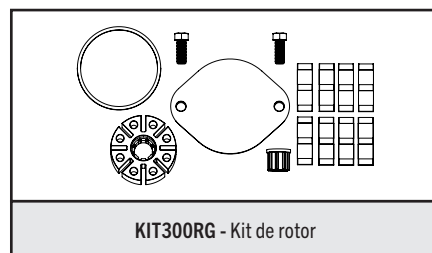
KIT300JC - Couvercle de boîte de jonction



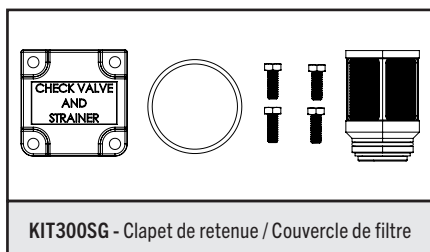
KIT300MA - Bride de compteur



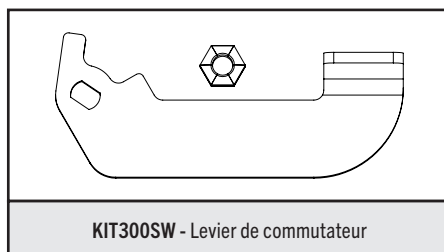
KIT300OT - Bride de sortie droite



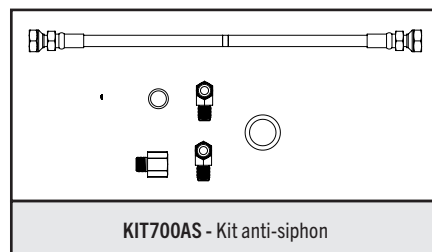
KIT300RG - Kit de rotor



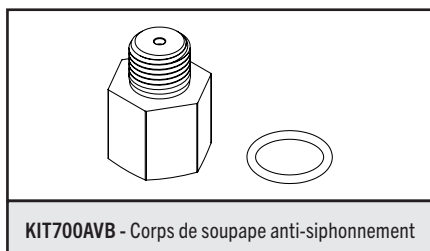
KIT300SG - Clapet de retenue / Couvercle de filtre



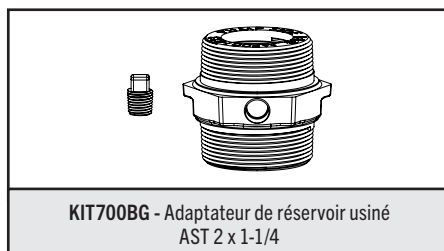
KIT300SW - Levier de commutateur



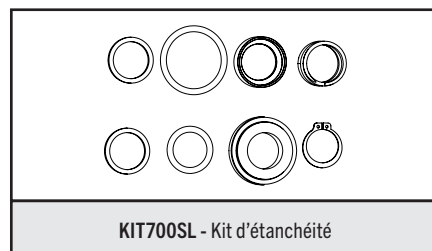
KIT700AS - Kit anti-siphon



KIT700AVB - Corps de soupape anti-siphonnement



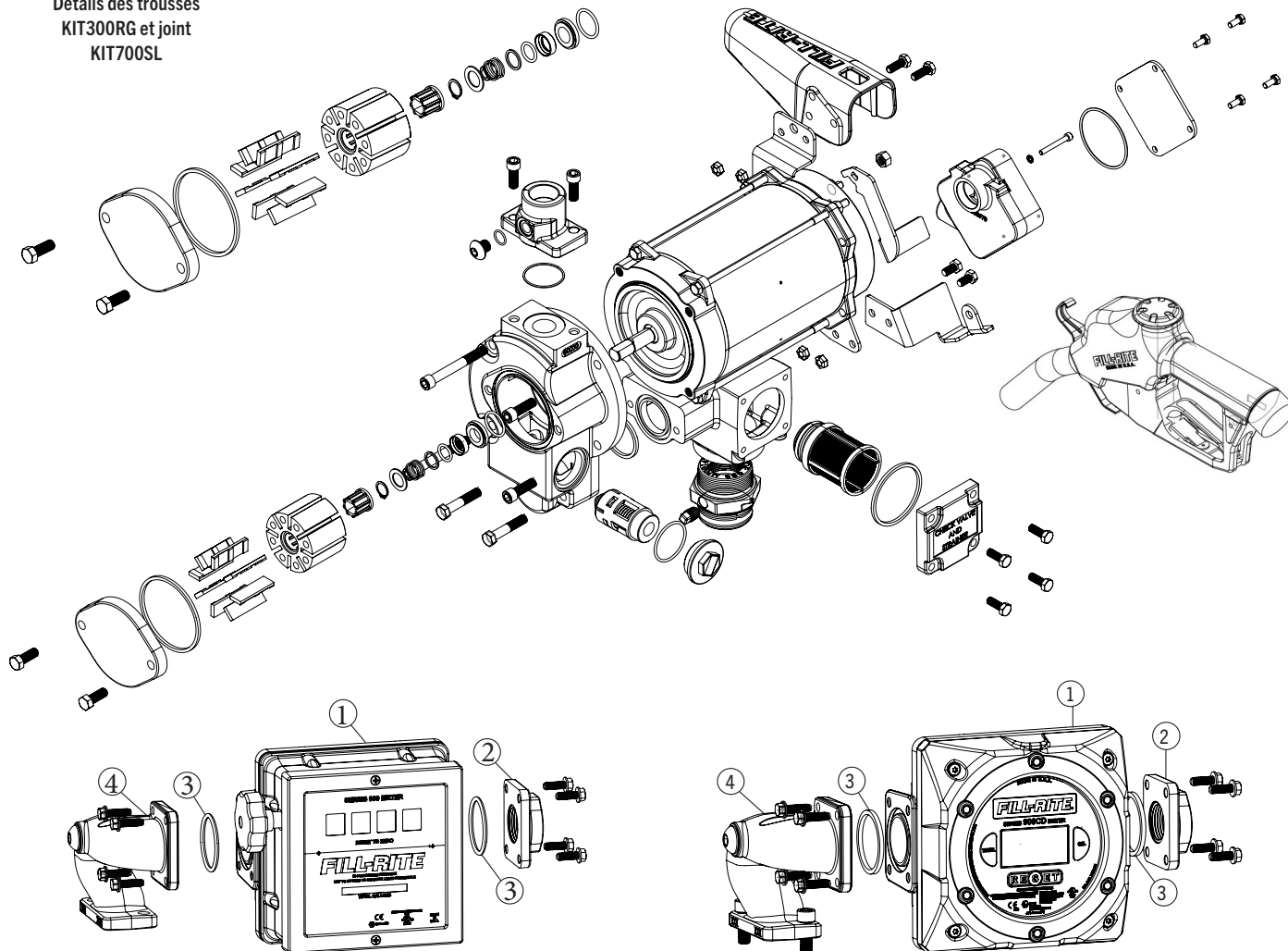
KIT700BG - Adaptateur de réservoir usiné
AST 2 x 1-1/4



KIT700SL - Kit d'étanchéité

Nomenclature FR300V / FR310V / FR311V / FR319V

Détails des trousse
KIT300RG et joint
KIT700SL



Nomenclature FR311V

La configuration FR311V ajoute un compteur mécanique, une bride de compteur d'admission, une bride de compteur de sortie, les visserie de fixation et joints connexes de Série 901C. Ce paquet est disponible avec enregistreur gallons ou litres.

N.º	Gallon Kit Nº	Description	Litre Kit Nº	Qté
1	901C	Compteur 901C (uniquement) (gallons)	--	1
2	Compteur 901C (gallon) Kit nº	Bride de compteur	901CL Meter (litre)	1
3		Joint de compteur	Kit nº	2
4		Raccord de compteur 1 po	901CLMK300V	1
1	--	Compteur 901CL (uniquement) (litres)	901CL	1

Nomenclature FR319V

La configuration FR319V ajoute un compteur numérique, une bride de compteur d'admission, une bride de compteur de sortie, les visserie de fixation et joints connexes de Série 900CD ou 900CDP. Ce paquet est disponible en configuration à pulsations ou non.

N.º	FR319VB Kit Nº	Description	FR319VBP Kit Nº	Qté
--	Compteur numérique 900CD (sans générateur de pulsations) FR319VB	Compteur 900CDP (uniquement)	900CDP	1
2		Bride de compteur	Compteur 900CDP (avec générateur de pulsations intégral) FR319VBP	1
3		Joint de compteur		2
4		Raccord de compteur 1 po		1
1	900CD	Compteur 900CD (uniquement)	--	
N/S	--	Barrière de sécurité intrinsèque*	KIT900DPBA	1

*À utiliser avec le compteur 900DP à pulsations uniquement

AVIS

NE PAS ouvrir ni tenter de réparer le moteur de votre pompe de série FR300V. L'ouverture du boîtier du moteur peut compromettre l'intégrité de sa construction à l'épreuve des explosions et annulera toute garantie en vigueur et homologation (enregistrement UL). **Prière de consulter la Politique de Garantie à la page 2.**

ATTENTION!

Les informations suivantes se rapportent aux pompes et compteurs à suffixe « E ». Consulter l'étiquette d'informations appliquée sur une pompe pour voir si elle est applicable.

Informations sur la plaque du moteur

FILETAGE D'ENTRÉE M20-1,5 6
VOLT: 115/230 Hz: 60/50 HP: ¾ AMB TEMP: 40°C PH: 1 RPM: 1725/1425
DUTY RATING: 30 MIN. FLA: 9.8/4.9/11.4/5.7 INS: B

Numéro de série et année de fabrication.

Fill-Rite
8825 Aviation Drive
Fort Wayne, IN 46809 USA



II 2 G
Ex db h IIA T4 Gb
FM09ATEX0075X
Ex db IIA T4 Gb
IECEx FMG19.0014X

AVERTISSEMENT – NE PAS OUVRIR EN PRÉSENCE D'UNE ATMOSPHÈRE EXPLOSIVE.

Matériaux de construction

Les matériaux de construction de la surface externe de l'unité sont les suivants: acier peint ; fonte peinte ; aluminium peint ; acier zingué.

Les matériaux de construction des pièces mouillées se composent de : fonte, acier, acier plaqué zinc, acier inoxydable 300, carbone, polyester, chlorofluorocarbène, Teflon, laiton, fer, cuivre, butadiène-styrène, acier inoxydable 400, aluminium.

Réparation et maintenance

Comuníquese con el lugar de compra para solicitar reparación y mantenimiento por garantía.

Installation

La pompe doit être installée conformément à la norme EN 60079-14 ou CEI 60079-14, selon le cas.

Des certificats de respect de la sécurité ont été obtenus pour les organismes suivants pour les produits vendus en dehors des États-Unis et du Canada. Consulter l'étiquette du produit particulier pour ses données de conformité particulières.

Conditions d'utilisation spécifiques

1. Consulter le fabricant s'il est nécessaire d'obtenir des renseignements dimensionnels au sujet des joints antidéflagrants.
2. Les vis à tête hexagonale M6 de classe 8.8 ISO (limite d'élasticité de 640 MPa) doivent être utilisées pour remplacer les fixations de couvercle du bornier.
3. Les vis à tête hexagonale M8 de classe 8.8 ISO (limite d'élasticité de 640 MPa) doivent être utilisées pour remplacer les fixations du logement du stator.
4. Un tuyau conducteur électriquement et une buse doivent être utilisés avec les liquides inflammables. Pour minimiser l'accumulation d'électricité statique, toujours conserver le pistolet en contact avec le conteneur à remplir au cours de l'avitaillement.

Les normes suivantes ont été utilisées pour établir la conformité dans l'Union européenne :

EN IEC 60079-0:2018, éd. 7 « Atmosphères explosives » – Part 0 : Équipement - Exigences générales

EN IEC 60079-1:2014, éd. 7 « Atmosphères explosives » – Part 1 : Protection de l'équipement avec enceintes « d » ignifuges

EN ISO 80079-36:2016, éd. 1 « Atmosphères explosives » – Part 36 : Équipement non-électrique pour atmosphères explosives – Méthode de base et exigences »

EN ISO 80079-37:2016, éd. 1 « Atmosphères explosives » – Part 37 : Équipement non-électrique pour atmosphères explosives – Protection de type non-électrique, sécurité structurale « c », contrôle de la source d'inflammation « b », immersion dans un liquide « k »

Directive 2014/34/UE – Appareils et systèmes de protections destinés à être utilisés en atmosphères explosibles.

Directive 2011/65/UE – Limitation de l'utilisation de certaines substances dangereuses dans les équipements électriques et électroniques.

Les normes suivantes ont été utilisées pour établir la conformité à l'homologation IECEx :

IEC 60079-0:2017, Éd. 7

IEC 60079-1:2014, Éd. 7

Segurança



FILL-RITE®

A GORMAN-RUPP COMPANY

Fill-Rite Company
8825 Aviation Drive
Fort Wayne, Indiana 46809 USA

T 1 (800) 720-5192
1 (260)-747-7524
F 1 (800) 866-4681



fillrite.com | soteracom | gormanrupp.com

FILL-RITE®

BOMBA DE TRANSFERENCIA DE COMBUSTIBLE SERIE FR300V

Manual de instalación y operación



MADE IN 
USA
WITH GLOBAL MATERIALS


GORMAN-RUPP
COMPANY

Índice

¡Gracias!2

Política de garantía2

Acerca de este manual3

Información de seguridad3

Instalación 3-4

Dispositivo antisifón5

Instalación de adaptador de tapón y tubería de succión5

Instalación de la envoltura de boquilla5

Cableado eléctrico6

Procedimiento de cableado6

Instrucciones de operación.....6

Cierre con candado6

Aprobaciones de pruebas de seguridad7

Compatibilidad con líquidos7

Información técnica y especificaciones7

Solución de problemas 8-9

Información sobre repuestos10-11

Información del modelo 300VE12

¡Gracias!

Gracias por su lealtad con la marca Fill-Rite® de bombas de transferencia de combustible. Su seguridad es importante, por eso lea y entienda completamente los procedimientos expuestos en este manual. Además, guarde estas instrucciones para futura referencia y registre el modelo, número de serie y fecha de compra de su bomba de transferencia de combustible. Protéjase y proteja a quienes lo rodean y acate todas las instrucciones de seguridad y respete todos los símbolos de peligro, advertencia y precaución. Registre su producto Fill-Rite® en info.fillrite.com/product_registration

POLÍTICA DE DEVOLUCIÓN IMPORTANTE

No devuelva este producto a la tienda. Para todas las preguntas sobre la garantía y el producto, comuníquese con el Soporte técnico de Fill-Rite al 1 (800) 720-5192 o por correo electrónico a FillRiteTech@fillrite.com (lunes a viernes, 8 a.m. a 5 p.m. EST).

N.º DE MODELO	
N.º DE SERIE	
FECHA DE COMPRA:	



Política de garantía limitada

Fill-Rite Fort Wayne garantiza que los productos manufacturados no presentarán defectos de materiales ni de fabricación. Puede encontrar detalles específicos de las garantías para productos individuales en fillrite.com.

Acerca de este manual

Desde el concepto y el diseño inicial hasta el producto final, su bomba Fill-Rite se fabrica para darle años de servicio sin ningún problema. Para garantizar que proporcione dicho servicio, **es fundamental que lea por completo este manual antes de que intente instalar y usar su nueva bomba.** Familiarícese con los términos y diagramas, y preste mucha atención a las áreas destacadas con las siguientes etiquetas:



Indica una situación peligrosa que, si no se evita, provocará la muerte o lesiones graves.



Destaca un área en que se **pueden** producir lesiones corporales e incluso la muerte si no se siguen las instrucciones de manera adecuada. También se pueden producir daños mecánicos.



No poner atención al aviso de “Precaución” podría provocar daños al equipo.



Estos cuadros contienen información que ilustra un punto que podría ahorrar tiempo o ser clave para la operación adecuada, o que clarifica un paso.

En Fill-Rite, su satisfacción con nuestros productos es primordial para nosotros. Si tiene preguntas o necesita ayuda con su producto, comuníquese con nosotros al 1 (800) 720-5192 o por correo electrónico a FillRiteTech@fillrite.com (de lunes a viernes, de 8 a.m. a 5 p.m., hora del Este).

Información de seguridad



El cableado eléctrico SOLO debe realizarlo un electricista con licencia que cumpla los códigos de electricidad locales, estatales y nacionales NEC/ANSI/NFPA 70, NFPA30 y NFPA 30A, según corresponda para el uso que se le dará a la bomba. Se deben utilizar conductos rígidos roscados, conectores sellados y sellos de conductor. La bomba debe estar debidamente conectada a tierra. La instalación o el uso incorrectos de esta bomba pueden provocar lesiones graves o la muerte.

1. NUNCA fume cerca de la bomba ni la utilice cerca de una llama mientras bombea un líquido inflamable! Se puede producir un incendio.
2. Se debe utilizar un filtro Fill-Rite en la salida de bomba para garantizar que no se transfiera ningún material extraño al tanque de combustible.
3. Las juntas de tuberías roscadas y las conexiones se deben sellar con un sellador adecuado o cinta selladora para minimizar las posibilidades de filtraciones.
4. Los tanques de almacenamiento deben estar correctamente anclados para evitar su desplazamiento o volcamiento cuando estén llenos o vacíos.
5. Para minimizar la acumulación de electricidad estática, utilice solo un tubo flexible conductor de cableado estático cuando bombee líquidos inflamables y mantenga la boquilla llena en contacto con el recipiente que se esté llenando durante el proceso de llenado.
6. El motor de la bomba está equipado con protección de sobrecarga térmica; si se sobrecalienta, el motor se apagará para evitar daños en los devanados. Si esto sucede, ¡APAGUE LA BOMBA! Cuando el motor se enfríe, se reiniciará sin advertir si la energía está encendida.



Este producto no se debe utilizar para transferir líquidos a ningún tipo de aeronave.



Este producto no es apto para su uso con líquidos destinados al consumo humano o líquidos que contengan agua.

Instalación

La bomba Fill-Rite de la serie FR300V está diseñada para ofrecer diferentes configuraciones de montaje. Se puede montar en un tanque sobre patines con un adaptador de tanque proporcionado con la bomba (consulte el diagrama adjunto) o en una isla de concreto con el adaptador de soporte opcional (disponible por medio de su distribuidor de Fill-Rite). Independiente del estilo de montaje, todos los tanques deben tener una ventilación adecuada.

La bomba de la serie FR300V cuenta con una válvula de retención con alivio de presión para reducir la presión excesiva insegura de la expansión térmica del líquido. Además posee una válvula de derivación integral que ayuda a minimizar el desgaste cuando la bomba funciona con la boquilla cerrada.



No utilice válvulas de retención o de contención adicionales, a menos que éstas tengan incorporada una válvula de alivio de presión adecuada. Observe que las válvulas de retención adicionales reducirán la velocidad del flujo.

PRECAUCIÓN

Las juntas de tuberías roscadas y las conexiones se deben sellar con un sellador adecuado o cinta selladora para minimizar las posibilidades de filtraciones.

Instalación típica del tanque sobre patines

Materiales:

- Tubería de 1-1/4" cortada a un largo que termine al menos a 7,6 cm (3") del fondo del tanque cuando se instala en el adaptador del tanque, el que a su vez se instala en el reborde del tanque (consulte el diagrama **INSTALACIÓN DEL TANQUE SOBRE PATINES**).
- Sellador de junta de tubería roscada adecuado para la aplicación.

Procedimiento de instalación:

1. Enrosque la tubería de 1-1/4" en el adaptador del tanque. Selle las roscas para impermeabilizarlas con un sellador apropiado.
2. Instale el adaptador del tanque en el reborde del tanque; selle las roscas para impermeabilizarlas con un sellador apropiado.
3. Monte la bomba en el adaptador, selle las roscas para impermeabilizarlas con un sellador apropiado.
4. Fill-Rite recomienda la instalación de un dispositivo antisifón.

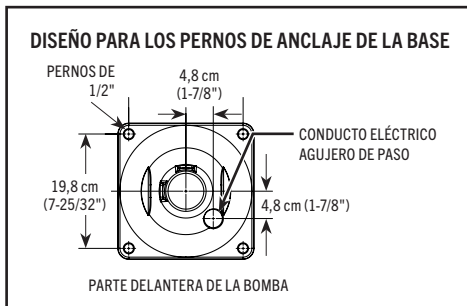
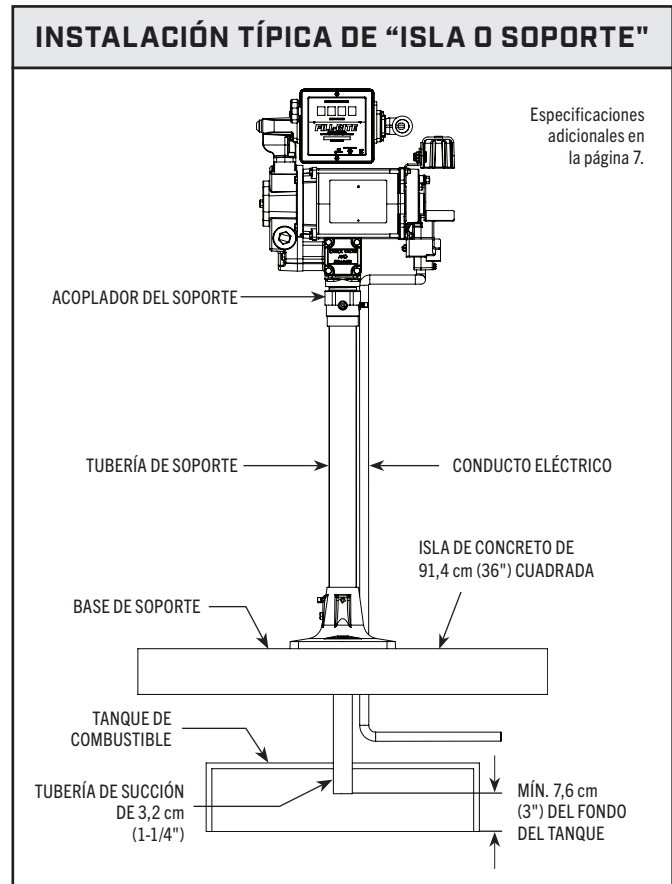
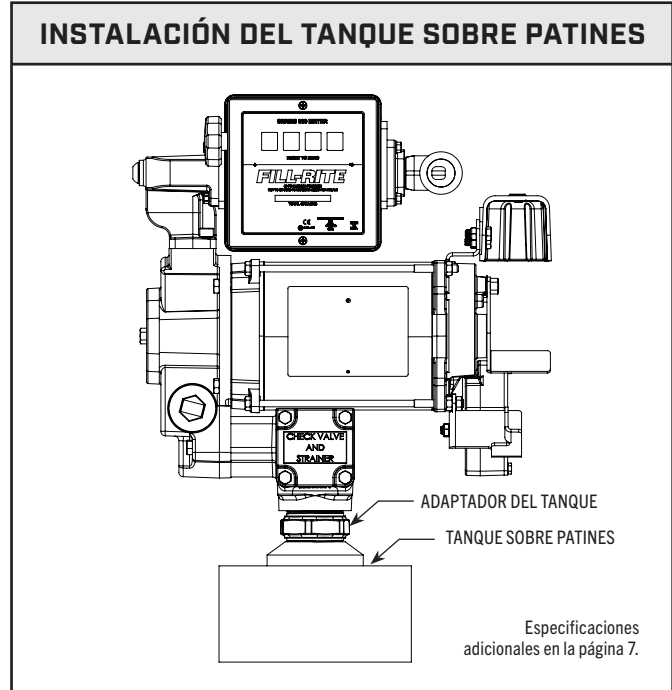
Instalación típica de "isla o soporte"

Materiales:

- Tubería de succión roscada de 1-1/4", cortada para que se extienda 82,6 cm sobre la isla.
- Juego de soporte FRPA125 (incluye tubería de soporte, base y acoplador).
- Sellador de junta de tubería roscada adecuado para la aplicación.

Procedimiento de instalación:

1. Retire el acoplador desde la tubería de soporte soltando los tornillos de fijación.
2. Deslice el conjunto de tubería de soporte/base de la bomba sobre la tubería de succión de 1-1/4".
3. Suelte los tornillos en la base del soporte para permitir que la tubería de soporte se deslice y exponga el extremo de la tubería de succión.
4. Atornille el acoplador en la tubería de succión, selle las roscas para impermeabilizarlas con un sellador apropiado.
5. Deslice la tubería de soporte en el acoplador y apriete los tornillos de fijación.
6. Apriete los tornillos en la base del soporte.
7. Monte la bomba en el acoplador y selle las roscas para impermeabilizarlas con un sellador apropiado.



PRECAUCIÓN

Las juntas de tuberías roscadas y las conexiones se deben sellar con un sellador adecuado o cinta selladora para minimizar las posibilidades de filtraciones.

Dispositivo antisifón

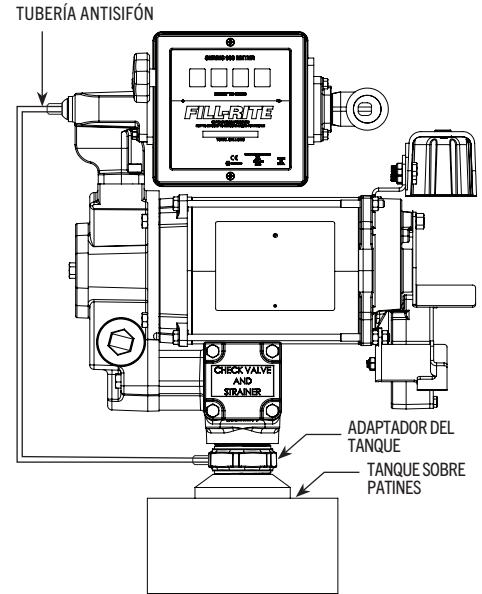
Su bomba serie FR300V viene preparada de fábrica para instalar una tubería antisifón de vuelta al tanque. Un dispositivo antisifón (también conocido como igualador de presión) es importante debido a que romperá un sifón de líquido si hay una boquilla abierta o un tubo flexible con filtraciones bajo el nivel del líquido en el tanque al apagar la bomba. Fill-Rite recomienda instalar el juego antisifón n.º KIT700AS desde la salida de la bomba de vuelta al espacio para el vapor en el tanque.

Esta ilustración muestra dónde instalar el tubo de manera que termine en el espacio para el vapor en la parte superior del tanque. El tubo debe terminar en el espacio para el vapor; si termina bajo el nivel del líquido en el tanque, no prevendrá el sifonaje. Es muy importante que no haya dispositivos de retención de líquido en la tubería; debe tener una pendiente continua desde la bomba hasta el tanque y se puede conectar en cualquier abertura en la parte superior del tanque si no se utiliza un adaptador de tanque. Utilice casquillos reductores según sea necesario para ajustar y sellar de manera apropiada.

Recomendamos utilizar el adaptador de tanque antisifón con una abertura de 1/4" NPT al costado. Esta abertura termina en el espacio para el vapor en el tanque. Realice conexiones impermeables utilizando el sellador adecuado desde el adaptador hasta el tubo de salida antisifón, con un mínimo de tubería de metal de 1/4" que sea compatible con el líquido que se esté bombeando. Si se está utilizando el adaptador de tanque antisifón y no se está utilizando la abertura de 1/4" de NPT para la tubería, deje el tapón instalado de fábrica en su lugar.

Fill-Rite ofrece el juego antisifón n.º KIT700AS (disponible por medio de su distribuidor Fill-Rite). El juego contiene los conectores y las tuberías necesarios para completar la instalación como se muestra en las imágenes de esta sección. **NOTA: Este juego SOLO se requiere para instalaciones en la parte superior del tanque.**

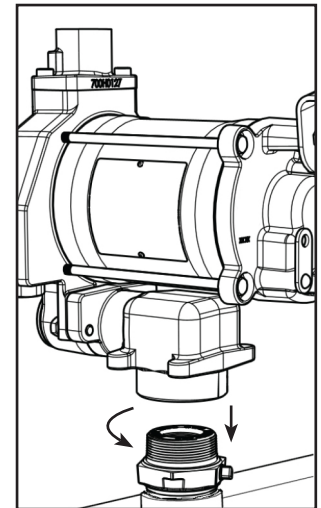
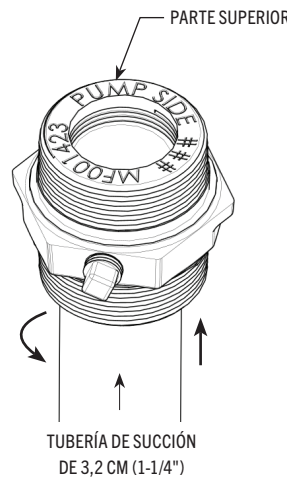
Si no usa el kit KIT700AS, necesitará el kit KIT700AVB. Esto le permitirá conectar una tubería de vuelta al tanque o al adaptador de tapón.



Montaje e instalación de la tubería de succión y el adaptador de tapón

Las bombas de la serie FR300V cuentan con un adaptador de tapón de 2" con una conexión incorporada para un dispositivo antisifón. Cuando instale la tubería de succión en el adaptador de tapón, la tubería de succión se debe insertar correctamente en el adaptador de tapón para un funcionamiento correcto. La tubería de succión se enrosca en el adaptador del tanque y se debe cortar de un largo tal que se ubique a una distancia de al menos 7,6 cm (3") del fondo del tanque.

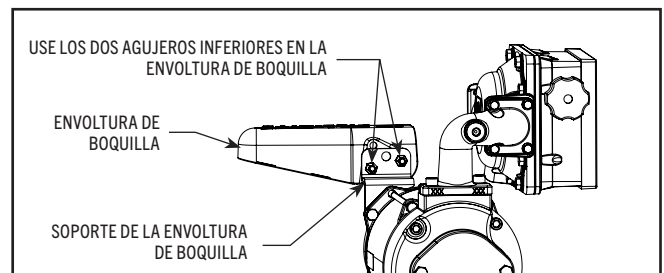
1. Mida y corte la tubería de succión para que encaje como se describió anteriormente.
2. Examine el adaptador de tapón para determinar la parte superior y la inferior para insertar correctamente la tubería de succión. El adaptador de tapón está etiquetado para ayudarlo: el extremo marcado "PUMP SIDE" (Lado de la bomba) es la parte superior del adaptador de tapón. Observe que las roscas interiores para la tubería de succión están en la PARTE SUPERIOR de la abertura.
3. Envuelva las roscas de la tubería de succión con el sellador adecuado para el líquido que se bombea. Inserte la tubería de succión (con el lado roscado hacia arriba) en la parte inferior del adaptador de tapón hasta que se enganchen las roscas.
4. Apriete el tubo de succión en el adaptador de tapón para crear un sello hermético.
5. Aplique un compuesto antiarrotamiento para roscas en las roscas externas de la parte inferior del adaptador de tapón. Instale el adaptador de tapón y la tubería de succión montados en la abertura para tapón del tanque. Apriete para generar un sello hermético.
6. Instale la bomba en el adaptador de tapón con un sellador líquido adecuado y apriete para generar un sello hermético.



Instalación de la envoltura de boquilla

La envoltura de boquilla se instala con el uso de los dos agujeros para tornillo en el costado de la envoltura. Use las piezas metálicas de fijación que se proporcionan para instalar la envoltura de boquilla.

Cuando la boquilla se monta correctamente, estará en posición horizontal.



Cableado eléctrico

ADVERTENCIA

El cableado eléctrico SOLO debe realizarlo un electricista con licencia que cumpla los códigos de electricidad locales, estatales y nacionales NEC/ANSI/NFPA 70, NFPA30 y NFPA 30A, según corresponda para el uso que se le dará a la bomba. Se deben utilizar conductos rígidos roscados, conectores sellados y sellos de conductor. La bomba debe estar debidamente conectada a tierra. La instalación o el uso incorrectos de esta bomba pueden provocar lesiones graves o la muerte.

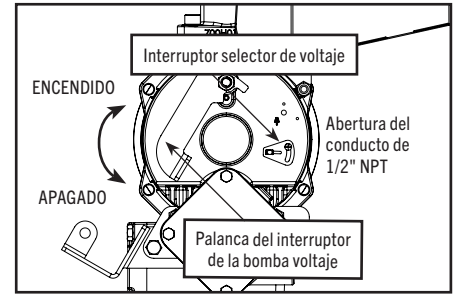
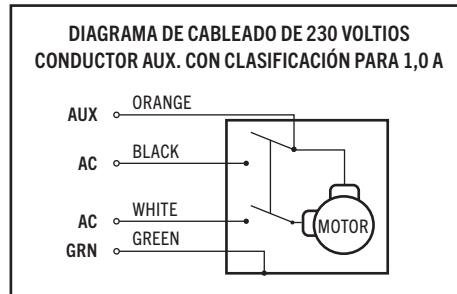
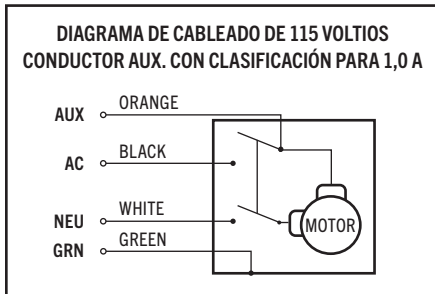
PRECAUCIÓN

Todas las bombas deben funcionar al voltaje especificado en la placa de identificación. Se debe suministrar energía a la bomba desde un disyuntor de circuito de 30 amperios. Este circuito no debe alimentar a ningún otro equipo. Los cables deben tener el calibre suficiente para transportar la corriente adecuada para la bomba. La caída de voltaje variará con la distancia a la bomba y el calibre del cable. Consulte el National Electrical Code (NEC) o los códigos locales para obtener información sobre la compensación de caídas de voltaje y asegurarse de que está utilizando un cableado del calibre correcto para su aplicación.

Procedimiento de cableado

ADVERTENCIA

¡El cable "AUX" ES UN CABLE CARGADO cuando el interruptor está en posición de encendido! El hilo de plomo conductor "AUX" se aísla y se cierra para el envío. NO conecte este cable sin antes verificar que el voltaje de línea "Encendido" del cable para confirmar la compatibilidad con el equipo que se instalará. El amperaje máximo de este cable es 1 amperio. El cable "AUX" se debe aislar y cerrar en la caja de conexiones si no se utiliza.



1. Retire la cubierta de la caja de conexiones y enderece los cables para asegurarse de que se puede tener acceso a los extremos de los cables pelados fuera de la caja de conexiones.
2. Conecte los cables de la bomba a las tuberías de suministro de energía según el diagrama. Asegúrese de aislar correctamente las conexiones con tuercas para hilos u otros conectores adecuados. Observe que el conductor de tierra DEBE estar conectado.
3. Pliegue los cables de regreso en la caja de conexiones y reemplace la cubierta. Asegúrese de que la junta de la cubierta esté en su lugar.

Use el interruptor selector de voltaje en el extremo de la bomba para seleccionar el voltaje de entrada para la misma. **NOTA: La bomba viene ajustada previamente de fábrica en la posición de 115 V CA.**

AVISO

Asegúrese de que la junta de la cubierta está en su lugar y que los tornillos bajen firmemente la cubierta sobre la caja de conexiones. No debe haber separación entre la caja de conexiones y su cubierta.

LONGITUD MÁXIMA DEL CABLE M (PIES)

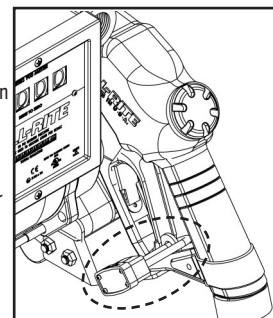
		Cable sólido						Cable trenzado					
AWG		14	12	10	8	6	4	14	12	10	8	6	4
1/2 HP	115 V CA [motor de 60 Hz]	18,9 (62)	30,2 (99)	48,2 (158)	76,2 (250)	--	--	18,6 (61)	29,3 (96)	46,9 (154)	74,7 (245)	118,6 (389)	189,0 (620)
	230 V CA [motor de 50 Hz]	65,2 (214)	103,6 (340)	165,2 (542)	261,8 (859)	--	--	63,7 (209)	100,9 (331)	161,2 (529)	257,3 (844)	--	--
	230 V CA [motor de 60 Hz]	67,4 (221)	107,0 (351)	170,7 (560)	270,4 (887)	--	--	65,8 (216)	104,2 (342)	166,4 (546)	265,5 (871)	--	--
3/4 HP	115 V CA [motor de 60 Hz]	13,4 (44)	21,6 (71)	34,4 (113)	54,3 (178)	--	--	13,1 (43)	21,0 (69)	33,5 (110)	53,3 (175)	84,7 (278)	135,0 (443)
	230 V CA [motor de 50 Hz]	44,5 (146)	70,7 (232)	112,5 (369)	178,3 (585)	--	--	43,3 (142)	68,9 (226)	109,7 (360)	175,0 (574)	--	--
	230 V CA [motor de 60 Hz]	45,4 (149)	72,2 (237)	114,9 (377)	182,3 (598)	--	--	44,2 (145)	70,4 (231)	112,2 (368)	178,9 (587)	--	--

Instrucciones de operación

1. Restablezca el medidor en "0" (si corresponde).
2. Retire la boquilla de dispensación de la envoltura de la boquilla.
3. Mueva la palanca del interruptor a la posición "ON" (Encendido) para impulsar la bomba.
4. Inserte la boquilla de dispensación en el recipiente que se llenará.
5. Opere la boquilla para dispensar el líquido; suelte la boquilla cuando haya dispensado la cantidad deseada de líquido.
6. Mueva la palanca del interruptor a la posición "OFF" (Apagado) para detener la bomba.
7. Retire la boquilla de dispensación del recipiente y almacénela en la envoltura de la boquilla.

Cierre con candado

Para mayor seguridad, la boquilla de su bomba Fill-Rite se puede cerrar con un candado. Cuando la bomba está apagada, y la boquilla está en la posición de almacenamiento, se puede insertar a través del apoyo de la boquilla y la abertura del mango de la boquilla. Esta configuración evita que se pueda retirar la boquilla de su cubierta.



PRECAUCIÓN

Mantenga siempre la boquilla en contacto con el recipiente que se esté llenando durante el proceso de llenado para reducir la posibilidad de acumulación de electricidad estática.

Aprobaciones de pruebas de seguridad

Las bombas Fill-Rite serie FR300V han pasado pruebas de seguridad para cumplir los estándares establecidos por UL Laboratories.



Compatibilidad con líquidos

Combustible diesel, keroseno, alcoholes minerales, solventes Stoddard, heptano, biodiesel (B20 máx.) y biodiesel (B21 – B100) con el kit KIT300BD.

AVISO

Si tiene dudas sobre la compatibilidad de un líquido específico, comuníquese con el proveedor del líquido para revisar reacciones adversas en los siguientes materiales húmedos: hierro fundido, acero, acero cincado, acero inoxidable serie 300, carbono, poliéster, fluorocarburo, teflón, latón, hierro, cobre, buna, acero inoxidable serie 400, aluminio.

Información técnica y especificaciones

Características de diseño

- Entrada: Tapón: macho de 2" NPT; tubería de succión: hembra de 1-1/4" NPT o en modelos "E" Tapón: macho de 2"; tubería de succión: hembra de 1-1/2" BSPP.
- Salida: 1" NPT o 1" BSPT (BSPT en modelos "E").
- Cast iron pump housing: iron (composite) rotor, and carbon (composite) vanes.
- Seguridad: Bomba equipada con candado (consulte la página 7 para obtener más detalles).
- Protección de sobrecarga térmica.
- Interruptor para servicios pesados.
- Ciclo de servicio de 30 minutos.
- Motor a prueba de explosión de la lista UL con cojinetes sellados que no necesitan mantenimiento.
- Válvula de retención integral con alivio de presión en el lado de entrada evita la acumulación de presión y mejora la elevación vertical.
- Filtro de fácil acceso.
- Válvula de derivación automática.
- Base roscada de 2" para aberturas del tanque.
- Consumo de amperios constante (Factor de servicio de 1,0):
 - 115V AC 60 Hz – 9,8 amperios / 50Hz – 11,4 amperios.
 - 230V AC 60Hz – 4,9 amperios / 50Hz – 5,7 amperios.

Dimensiones generales:

- Modelo FR310V: 43,48 cm de ancho x 38,10 cm de alto x 37,85 cm de profundidad (17,12 pulg. de ancho x 15 pulg. de alto x 14,9 pulg. de profundidad).
- Modelo FR311V: 43,48 cm de ancho x 48,90 cm de alto x 37,85 cm de profundidad (17,12 pulg. de ancho x 19,25 pulg. de alto x 14,9 pulg. de profundidad).

- Modelo FR319V: 43,48 cm de ancho x 49,28 cm de alto x 37,85 cm de profundidad (17,12 pulg. de ancho x 19,4 pulg. de alto x 14,9 pulg. de profundidad).

Peso de envío:

FR310V: 36,29 kg (80 lbs) / FR311V: 41,28 kg (91 lbs) / FR319V: 41,73 kg (92 lbs)

Accesorios:

Consulte la página 9 para ver una lista completa de accesorios disponibles.

Rendimiento:

- 1,79 bar (26 psi) presión máxima en la salida de la bomba.
- Hasta 132 litros (35 galones) por minuto.
- Viscosidad máxima del líquido bombeado: Combustible diesel n.º 2.
- Temperatura máxima de funcionamiento de la bomba: 66 grados C (150 grados F).
- Temperatura mínima de operación de la bomba: -13 °C (-25 °F) (tenga en cuenta que recomendamos "boquilla polar" y "manguera polar" en la sección de accesorios en la página 9 para la operación a temperaturas más bajas).

Suction Lift:

La elevación en metros es igual a la distancia vertical desde la superficie del líquido en el tanque hasta la entrada de la bomba, MENOS las pérdidas de fricción a través de los ciclos verticales y horizontales de la tubería, todos los tubos acodados y otros conectores. El sistema de debe ajustar para que requiera la cantidad mínima de altura de succión.

- Para combustible diesel n.º 2, use todos los demás modelos (3/4 hp); la altura de succión es de 5,5 m (18 pies).

Solución de problemas

La siguiente guía de Solución de problemas ofrece asistencia de diagnóstico básico en caso de que enfrente un funcionamiento anormal de su producto Fill-Rite.

Si tiene preguntas sobre la instalación, el funcionamiento o el mantenimiento de su producto, no dude en comunicarse con nuestro Soporte técnico al 1 (800) 720-5192 o por correo electrónico a FillRiteTech@fillrite.com (de lunes a viernes, de 8 a. m. a 5 p. m., hora del Este). También puede visitar fillrite.com.

⚠ ADVERTENCIA

NO abra ni intente reparar el motor de su bomba de la serie FR300V. Si abre la carcasa del motor, puede poner en peligro la integridad de la fabricación a prueba de explosión y anulará cualquier garantía y certificación existente (lista UL). **Consulte la política de garantía ubicada en la página 2.**

⚠ ADVERTENCIA

Asegúrese de que la bomba no reciba ningún tipo de alimentación eléctrica antes de realizar cualquier servicio técnico o mantenimiento.

Síntoma	Causa	Solución
La bomba no ceba	1. Problema de la tubería de succión	Verifique si hay filtraciones en la tubería de succión
	2. Válvula de derivación abierta	Retire y revise la válvula; esta se debe mover libremente y no debe tener residuos
	3. Bloqueo de las aspas	Verifique si hay muescas, rebabas o desgaste en las aspas y ranuras*
	4. Desgaste excesivo del rotor o del aspa	Revise si hay daño o desgaste excesivo en el rotor y las aspas; reemplace de ser necesario*
	5. Salida bloqueada	Verifique si hay bloqueos en la salida de la bomba, el tubo flexible, la boquilla y el filtro
	6. Bloqueo de vapor	Reduzca la distancia vertical y horizontal desde la bomba al líquido; retire la boquilla automática
Capacidad baja	1. Suciedad excesiva en la rejilla	Retire y limpie la rejilla
	2. Problema de la tubería de succión	Verifique si hay filtraciones o restricciones en la tubería de succión; puede que sea muy pequeña, muy larga o no es hermética
	3. Bloqueo de la válvula de derivación	Retire y revise la válvula; esta se debe mover libremente y no debe tener residuos
	4. Bloqueo de las aspas	Verifique si hay desgaste en las aspas y ranuras*
	5. Desgaste excesivo del rotor o del aspa	Revise si hay daño o desgaste excesivo en el rotor y las aspas; reemplace de ser necesario*
	6. Daño en el tubo flexible o la boquilla	Reemplace el tubo flexible o la boquilla
	7. Filtro obstruido	Reemplace el filtro
	8. Nivel de líquido bajo	Llene el tanque
La bomba funciona lento	1. Voltaje incorrecto	Verifique el voltaje de línea de entrada mientras está funcionando la bomba
	2. Bloqueo de las aspas	Revise si hay muescas, rebabas o desgaste en las aspas y ranuras*
	3. Problema de cableado	Verifique si hay conexiones sueltas
	4. Problema del motor	Consulte la Política de Garantía
El motor se detiene	1. Bloqueo de la válvula de derivación	Retire y revise la válvula; esta se debe mover libremente y no debe tener residuos
	2. Voltaje bajo	Verifique el voltaje de línea de entrada mientras está funcionando la bomba
	3. Desgaste excesivo del rotor o del aspa	Verifique si hay daño o desgaste excesivo en el rotor y las aspas*
	4. Residuos en la cavidad de la bomba	Elimine los residuos de la cavidad de la bomba.
Sobrecalentamiento del motor (Se desconectó la protección de sobrecarga térmica)	1. Bombeo de líquidos de alta viscosidad	Estos líquidos solo se pueden bombear por períodos cortos de tiempo (menos de 30 minutos por ciclo de servicio)
	2. Rejilla obstruida	Retire y limpie la rejilla
	3. Tubería de succión restringida	Retire y limpie la tubería
	4. Falla del motor	Consulte la Política de Garantía
	5. Cierre del rotor de la bomba	Limpie y verifique las aspas y el rotor de la bomba*

Solución de problemas (continuó)

Síntoma	Causa	Solución
El motor no está operativo	1. No hay energía	Verifique la energía de entrada
	2. Falla del interruptor	Consulte la Política de Garantía
	3. Falla del motor	Consulte la Política de Garantía
	4. Falla del protector térmico	Consulte la Política de Garantía
	5. Cableado suelto o incorrecto	Verifique el cableado
Filtración de líquido	1. Empaquetadura de junta tórica defectuosa	Verifique las empaquetaduras de la junta tórica
	2. Sello del eje sucio	Limpie el sello y la cavidad del sello
	3. Sello del eje defectuoso	Reemplace el sello
	4. Líquido incompatible	Envíe la lista de piezas húmedas al productor de líquidos (consulte la página 7)
	5. Sujetadores sueltos	Apriete los sujetadores
La bomba emite un zumbido pero no funciona.	1. Suciedad en la cavidad de la bomba	Limpie la cavidad de la bomba
	2. Falla del motor	Consulte la Política de Garantía
	3. Pieza de inserción del rotor quebrada	Retire los residuos y reemplace la pieza de inserción

El texto en **negrita** indica reparaciones que no puede realizar el propietario; consulte nuestra Política de Garantía en la página 2 para obtener instrucciones adicionales.

* Las reparaciones marcadas con un asterisco (*) requerirán del juego de reparación n.º 300KTF7794. Este juego incluye un rotor de reemplazo y aspas nuevas, además de una cantidad de otros sellos y componentes importantes para completar la reparación.

Accesorios

Existe una gran variedad de accesorios disponibles para ayudarle a maximizar el rendimiento de su bomba Fill-Rite. En la siguiente lista se encuentran los accesorios correspondientes disponibles para su producto en particular. Comuníquese con su distribuidor Fill-Rite autorizado para adquirir los accesorios que necesite.

Número de pieza	Descripción
F4010PM0	Juego de filtro de 2,5 cm [1"] (particulado de 10 micrones)
F4030M0	Juego de filtro de 2,5 cm [1"] (particulado de 30 micrones)
700ACCF7017	Cabezal de filtro de 2,5 cm [1"]
FRPA125	Juego de montaje de soporte de isla
KIT700AS	Juego antisifón
FRH10012	Tubo flexible de 2,5 cm [1"] (3,7 m [12 pies])
FRH10014	Tubo flexible de 2,5 cm [1"] (4,3 m [14 pies])
FRHA10020	Tubo flexible de 2,5 cm [1"] (6,1 m [20 pies])

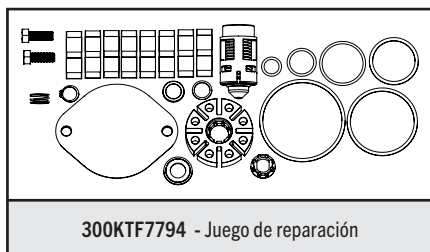
Número de pieza	Descripción
FRHA10020	Tubo flexible para servicio polar de 2,5 cm [1"] (6,1 m [20 pies])
FRHMN100S	Juego de boquilla de 2,5 cm [1"], tubo de salida manual con plomo
N100DAU13	Boquilla de 2,5 cm [1"] con corte automático (diesel de flujo ultra alto)
N100DAU10	Boquilla de 2,5 cm [1"] con corte automático (diesel de flujo alto)
FRNA100DAU00	Boquilla de 2,5 cm [1"] con corte automático (diesel para servicio polar)
S100H315	Eslabón giratorio de capas múltiples de 2,5 cm [1"]
B100F475	Enganche de seguridad de 2,5 cm [1"]
WH10012	Manguera flexible de 2,5 cm [1"]

Información sobre repuestos

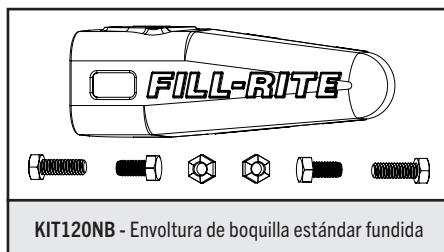
Para reparaciones y mantenimiento de rutina, Fill-Rite ofrece las piezas que usted necesita. El siguiente diagrama y lista de piezas cubren todas las piezas que corresponden a su producto Fill-Rite. Dichas piezas se pueden obtener por medio de un distribuidor Fill-Rite autorizado. Asegúrese de utilizar solo piezas de repuesto originales de Fill-Rite para sus necesidades de servicio y mantenimiento. Si desea ver una lista de los distribuidores autorizados, visite fillrite.com.

⚠ ADVERTENCIA

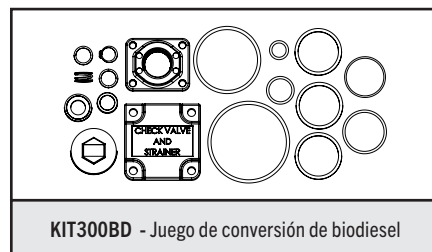
NO abra ni intente reparar el motor de su bomba de la serie FR300V. Si abre la carcasa del motor, puede poner en peligro la integridad de la fabricación a prueba de explosión y anulará cualquier garantía y certificación existente (lista UL). Consulte la Política de Garantía ubicada en la página 2.



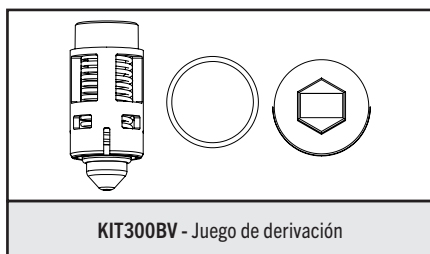
KIT300TF7794 - Juego de reparación



KIT120NB - Envoltura de boquilla estándar fundida



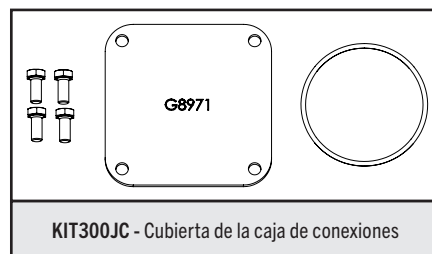
KIT300BD - Juego de conversión de biodiesel



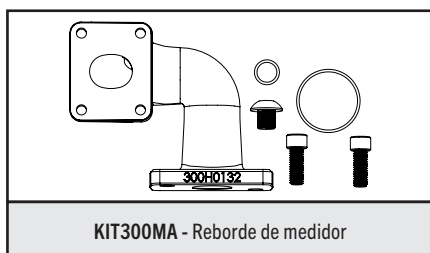
KIT300BV - Juego de derivación



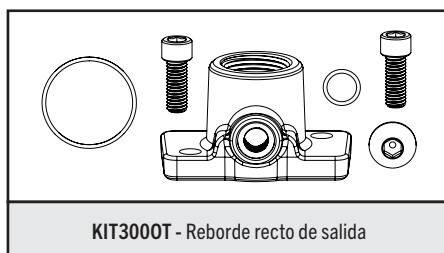
KIT300GSK - Junta de nitrilo cortada en torno (10)



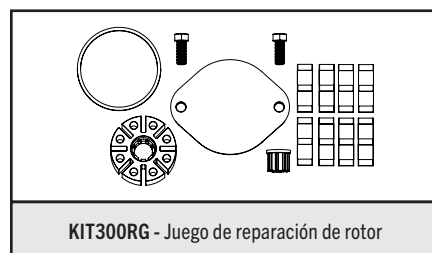
KIT300JC - Cubierta de la caja de conexiones



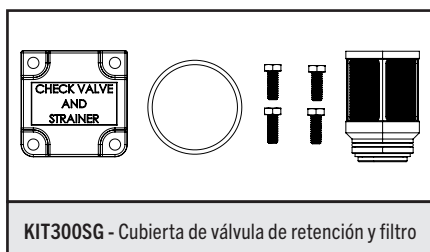
KIT300MA - Reborde de medidor



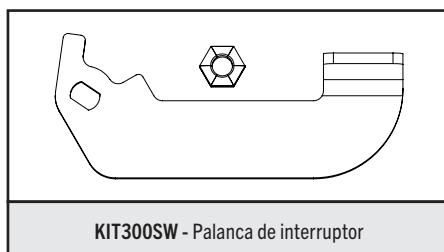
KIT300OT - Reborde recto de salida



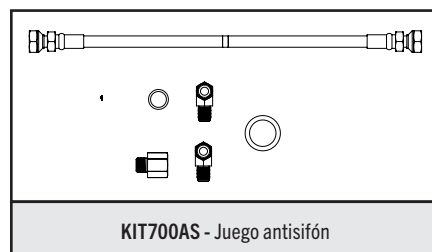
KIT300RG - Juego de reparación de rotor



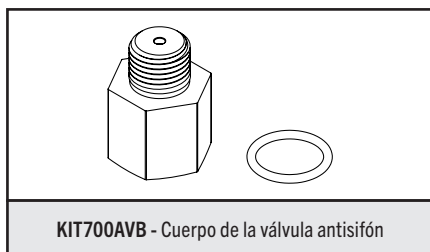
KIT300SG - Cubierta de válvula de retención y filtro



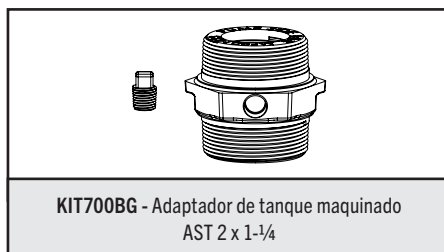
KIT300SW - Palanca de interruptor



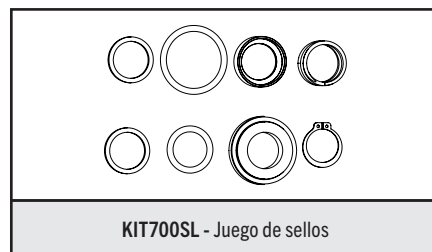
KIT700AS - Juego antisifón



KIT700AVB - Cuerpo de la válvula antisifón

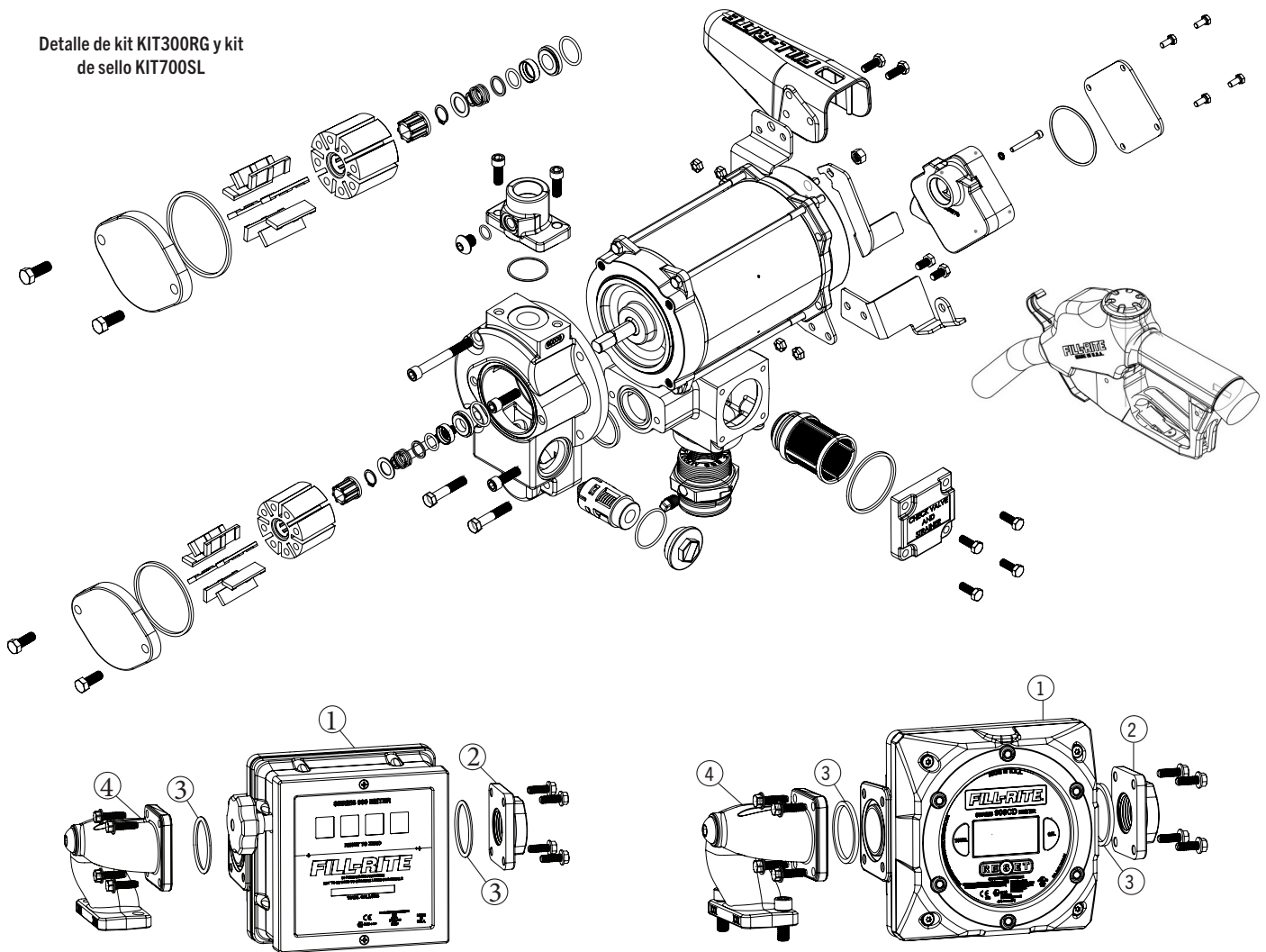


KIT700BG - Adaptador de tanque maquinado
AST 2 x 1-1/4



KIT700SL - Juego de sellos

Lista de piezas de FR300V / FR310V / FR311V / FR319V



Lista de piezas de FR311V

La configuración de FR311V adjunta un medidor mecánico de la serie 900, un reborde de medidor de entrada, un reborde de medidor de salida, las piezas metálicas de sujeción asociadas y las empaquetaduras. Este paquete está disponible con registro en galones o litros.

N.º	Número de juego de galón	Descripción	Número de juego de litro	Cant.
1	901C	Medidor 901C (únicamente) (galones)	--	1
2	Medidor 900C (galones) Juego n.º 901CMK300V	Reborde de medidor	Medidor 901CL (litros)	1
3		Junta de medidor	Juego n.º 901CLMK300V	2
4		Conector de medidor de 1"	901CLMK300V	1
1	--	Medidor 901CL (únicamente) (litros)	901CL	1

Lista de piezas de FR319V Parts List

La configuración de FR319V adjunta un medidor digital de la serie 900CD o 900CDP, un reborde de medidor de entrada, un reborde de medidor de salida, las piezas metálicas de sujeción asociadas y las empaquetaduras. Este paquete está disponible en configuración con o sin generación de impulsos.

N.º	Número de juego de FR319VB	Descripción	Número de juego de FR319VBP	Cant.
--	Medidor digital 900CD (sin generador de impulsos) FR319VB	Medidor 900CDP	900CDP	1
2		Reborde de medidor	Medidor 900CDP (con generador de impulsos integral) FR319VBP	1
3		Junta de medidor		2
4		Conector de medidor de 1"		1
1	900CD	Medidor 900CD (únicamente)	--	--
N/S	--	Barrera de seguridad intrínseca*	KIT900DPBA	1

*Para uso solo con el medidor con generación de impulsos 900CDP

AVISO

NO abra ni intente reparar el motor de su bomba de la serie FR300V. Si abre la carcasa del motor, puede poner en peligro la integridad de la fabricación a prueba de explosión y anulará cualquier garantía y certificación existente (lista UL). Consulte la Política de Garantía ubicada en la página 2.

¡ATENCIÓN!

La siguiente información corresponde a medidores y bombas con sufijo "E". Consulte la etiqueta de información que corresponde a su bomba para ver si esto se aplica.

Información de la placa del motor

LAS ROSCAS DE ENTRADA SON M20-1.5 6H
VOLT: 115/230 Hz: 60/50 HP: ¾ AMB TEMP: 40°C PH: 1 RPM: 1725/1425
DUTY RATING: 30 MIN. FLA: 9.8/4.9/11.4/5.7 INS: B

Número de serie y año de fabricación.

Fill-Rite
8825 Aviation Drive
Fort Wayne, IN 46809 USA



II 2 G
Ex db h IIA T4 Gb
FM09ATEX0075X
Ex db IIA T4 Gb
IECEx FMG19.0014X

ADVERTENCIA: NO ABRIR CUANDO SE ENCUENTRE EN UNA ATMÓSFERA EXPLOSIVA.

Materiales de construcción

Los materiales de construcción de la superficie externa de la unidad son: acero pintado; hierro fundido pintado; aluminio pintado; acero cincado.

Los materiales de construcción de las partes húmedas son: hierro fundido, acero, acero cincado, acero inoxidable serie 300, carbono, poliéster, fluorocarburo, teflón, latón, hierro, cobre, buna, acero inoxidable serie 400, aluminio.

Reparación y mantenimiento

Comuníquese con el lugar de compra para solicitar reparación y mantenimiento por garantía.

Instalación

La bomba se debe instalar en conformidad con EN 60079-14 o IEC 60079-14, según corresponda.

Las siguientes agencias obtuvieron certificados de cumplimiento con la seguridad para productos vendidos fuera de EE.UU. y Canadá. Consulte la etiqueta en su producto para ver los datos particulares de cumplimiento.

Condiciones de uso específicas

1. Consulte con el fabricante si necesita la información de dimensiones de las juntas ignífugas.
2. Se deberán usar tornillos de cabeza hexagonal M6, ISO Clase 8.8 (esfuerzo de fluencia 640 MPa) para reemplazar los sujetadores de la cubierta de terminal.
3. Se deberán usar tornillos de cabeza hexagonal M8, ISO Clase 8.8 (esfuerzo de fluencia 640 MPa) para reemplazar los sujetadores de la carcasa del estator.
4. Con líquidos inflamables se deben utilizar una manguera y una boquilla de conducción eléctrica. Para minimizar la acumulación de electricidad estática, siempre mantenga la boquilla en contacto con el recipiente que se llena durante el proceso de abastecimiento de combustible.

Se usaron las siguientes normas para mostrar el cumplimiento en la Unión Europea:

EN IEC 60079-0:2018, Ed. 7 "Atmósferas explosivas: Parte 0: Equipos: Requisitos generales"

EN 60079-1:2014, Ed. 7 "Atmósferas explosivas: Parte 1: Protección de equipos mediante cajas ignífugas "d"

EN ISO 80079-36:2016, Ed. 1 "Atmósferas explosivas: Parte 36: Equipos no eléctricos para atmósferas explosivas: Método básico y requisitos"

EN ISO 80079-37:2016, Ed. 1 "Atmósferas explosivas: Parte 37: Equipos no eléctricos para atmósferas explosivas: Tipo no eléctrico de protección a través de seguridad constructiva "c", control de fuente de ignición "b", inmersión en líquido "k"

Directiva 2014/34/UE: Equipos y sistemas de protección destinados al uso en atmósferas potencialmente explosivas.

Directiva 2011/65/UE: Restricciones a la utilización de ciertas sustancias peligrosas en aparatos eléctricos y electrónicos.

Se usaron las siguientes normas para mostrar el cumplimiento de la certificación IECEx:

IEC 60079-0:2017, Ed. 7

IEC 60079-1:2014, Ed. 7

Segurança



FILL-RITE®

A GORMAN-RUPP COMPANY

Fill-Rite Company
8825 Aviation Drive
Fort Wayne, Indiana 46809 USA

T 1 (800) 720-5192
1 (260)-747-7524
F 1 (800) 866-4681



fillrite.com | soteracom | gormanrupp.com

FILL-RITE®

KRAFTSTOFFTRANSFERPUMPE FR300V SERIES Einbau – und Betriebsanleitung



MADE IN 
USA
WITH GLOBAL MATERIALS


GORMAN-RUPP
COMPANY

Inhalt

Vielen Dank! 2

Bestimmungen der Garantie 2

Zu diesem Handbuch 3

Sicherheitsinformationen 3

Montage 3-4

Heberschutzleitung 5

Montage von Zapfenadapter und Saugrohr 5

Montage der Zapfventilhalterung 5

Verkabelung 6

Verkabelungsverfahren 6

Betriebsanweisungen 6

Sicherung mit Vorhängeschloss 6

Sicherheitsprüfungszulassungen 7

Flüssigkeitsverträglichkeit 7

Technische Informationen/Daten 7

Fehlersuche 8-9

Zubehör 9

Ersatzteil-Informationen 10-11

300VE Model Information 12

Vielen Dank!

Vielen Dank, dass Sie den Kraftstofftransferpumpen der Marke Fill-Rite® vertrauen. Ihre Sicherheit ist uns sehr wichtig. Deshalb lesen Sie bitte die Verfahren in diesem Handbuch gründlich durch. Heben Sie diese Anweisungen zur zukünftigen Bezugnahme auf und notieren Sie das Modell, die Seriennummer und das Kaufdatum der Kraftstofftransferpumpe. Schützen Sie sich selbst und umstehende Personen, indem Sie alle Sicherheitsanweisungen beachten und alle Gefahren-, Warn- und Vorsichtshinweise befolgen. Registrieren Sie Ihr Fill-Rite®-Produkt bitte auf info.fillrite.com/product_registration

WICHTIGE RÜCKGABERICHTLINIE

Bringen Sie dieses Produkt nicht in das Geschäft zurück. Bei allen Garantie- und Produktfragen wenden Sie sich bitte an den technischen Support von Fill-Rite unter 1 (800) 720-5192 oder per E-Mail an FillRiteTech@fillrite.com (Mo-Fr, 8 – 17 Uhr EST).

MODELL-NR.	
SERIEN-NR.	
KAUFDATUM:	



Bestimmungen der eingeschränkten Garantie

Fill-Rite Fort Wayne gewährleistet, dass die hergestellten Waren frei von Werkstoff- und Fertigungsmängeln sind. Genaue Einzelheiten zur Garantie einzelner Produkte sind auf fillrite.com zu finden.

Zu diesem Handbuch

Vom anfänglichen Konzept bis zur endgültigen Produktion ist die Fill-Rite-Pumpe für problemlosen Betrieb auf Jahre hinaus ausgelegt. Um diese Funktionsweise zu gewährleisten, müssen Sie dieses gesamte Handbuch durchlesen, bevor der Einbau oder Betrieb des neuen Zäblers versucht wird. Machen Sie sich mit den Begriffen und Diagrammen vertraut und achten Sie genau auf die hervorgehobenen Bereiche mit den folgenden Bezeichnungen:



Weist auf eine gefährliche Situation hin, die zum Tod oder zu schweren Verletzungen führt, wenn sie nicht vermieden wird.



Hebt einen Bereich hervor, in dem bei Nichtbefolgung der Anweisungen schwere oder tödliche Verletzungen auftreten können. Es können auch mechanische Schäden entstehen.



Bei Nichtbeachtung eines „Vorsichtshinweises“ besteht die Gefahr von Maschinenschäden.



Diese Textfelder enthalten Informationen, die auf Zeitersparnisse hinweisen, für den korrekten Betrieb wichtig sind oder einen Arbeitsschritt weiter erläutern.

Bei Fill-Rite steht Ihre Zufriedenheit mit unseren Produkten an erster Stelle. Wenn Sie Fragen haben oder Hilfe zu Ihrem Produkt benötigen, kontaktieren Sie uns bitte unter 1 (800) 720-5192 oder per E-Mail an FillRiteTech@fillrite.com (Mo–Fr, 8–17 Uhr EST).

Sicherheitsinformationen



Die Verkabelung darf NUR von einem lizenzierten Elektriker durchgeführt werden und muss dem vorgesehenen Verwendungszweck der Pumpe den geltenden örtlichen und landesweiten Vorschriften, dem technischen Regelwerk sowie NEC/ANSI/NFPA 70, NFPA 30 und NFPA 30A entsprechen. Verschraubte Kabelrohre, abgedichtete Anschlüsse und Leiterdichtungen müssen verwendet werden. Die Pumpe muss vorschriftsmäßig geerdet sein. Unsachgemäßer Einbau oder Einsatz dieser Pumpe kann zu schweren oder tödlichen Verletzungen führen!

1. NIEMALS in der Nähe der Pumpe rauchen und die Pumpe beim Pumpen entzündlicher Flüssigkeiten nicht in der Nähe von offenen Flammen verwenden! Es besteht Brandgefahr!
2. Ein „Fill-Rite“- Filter muss am Auslass der Pumpe vorgesehen werden, damit keine Fremdstoffe in den Kraftstofftank eingetragen werden.
3. Rohrgewindeverbindungen und Anschlüsse müssen mit geeignetem Dichtmittel oder Dichtband abgedichtet werden, um die Wahrscheinlichkeit von Leckage zu minimieren.
4. Lagertanks müssen sicher verankert sein, damit diese beim Füllen oder Entleeren nicht kippen oder sich absetzen.
5. Zur Minimierung des Aufbaus statischer Elektrizität darf beim Pumpen entzündlicher Flüssigkeiten nur ein Schlauch mit einem Statikableitungsdraht verwendet werden; das Zapfventil muss während des Füllens durchgehend Kontakt mit dem Behälter haben, in den abgefüllt wird.
6. Der Pumpenmotor ist mit einem thermischen Überlastschutz ausgestattet; bei Überhitzung schaltet sich der Motor ab, um Schäden an den Wicklungen zu vermeiden. In diesem Fall DIE PUMPE ABSCHALTEN! Nachdem der Motor abgekühlt ist, schaltet er sich bei anliegender Stromversorgung ohne Vorwarnung wieder ein.



Dieses Produkt darf nicht zum Transfer von Flüssigkeiten in beliebige Arten von Flugzeugen verwendet werden.



Dieses Produkt ist nicht für Flüssigkeiten geeignet, die für menschlichen Verzehr geeignet sind bzw. Flüssigkeiten, die Wasser enthalten.

Montage

Die Fill-Rite-Pumpe der Serie FR300V bietet verschiedene Montagemöglichkeiten. Sie kann mit dem mit der Pumpe mitgelieferten Adapter (siehe beiliegende Zeichnungen) auf einem Tank auf Schienen oder mit dem optionalen Sockelmontagesatz (von der Fill-Rite-Vertriebsgesellschaft erhältlich) auf einem Betonfundament montiert werden. Unabhängig von der Montageart müssen alle Tanks vorschriftsmäßig entlüftet sein.

Die Pumpe der Serie FR300V verfügt über ein eingebautes Druckentlastungsventil, um unsicheren Überdruck durch die thermische Expansion der Flüssigkeit abzubauen. Sie verfügt auch über ein integriertes Bypassventil zur Minimierung von Verschleiß, wenn die Pumpe bei geschlossenem Zapfventil betrieben wird.



Keine zusätzlichen Rückschlagventile oder Fußventile verwenden, wenn in diese kein geeignetes Druckentlastungsventil integriert ist. Zusätzliche Rückschlagventile verringern die Durchflussrate.



Rohrgewindeverbindungen und Anschlüsse müssen mit geeignetem Dichtmittel oder Dichtband abgedichtet werden, um die Wahrscheinlichkeit von Leckage zu minimieren.

Typische Montage an einem Tank auf Schienen

Werkstoffe:

- 1-1/4-Zoll-Rohr so zugeschnitten, dass es bis 75 mm (3 Zoll) über den Tankboden reicht, wenn es in den Tankadapter eingeschraubt ist und der Tankadapter in den Tankflansch geschraubt ist (siehe Zeichnung MONTAGE AN EINEM TANK AUF SCHIENEN).
- Für die Anwendung geeignetes Gewindedichtmittel für Rohrverschraubungen.

Montageverfahren:

1. Das 1-1/4-Zoll-Rohr in den Tankadapter schrauben. Das Gewinde mit einem geeigneten Gewindedichtmittel flüssigkeitsdicht abdichten.
2. Den Tankadapter am Tankflansch montieren; das Gewinde mit einem geeigneten Gewindedichtmittel flüssigkeitsdicht abdichten.
3. Die Pumpe am Adapter montieren; das Gewinde mit einem geeigneten Gewindedichtmittel flüssigkeitsdicht abdichten.
4. Fill-Rite empfiehlt die Montage unserer Heberschutzleitung.

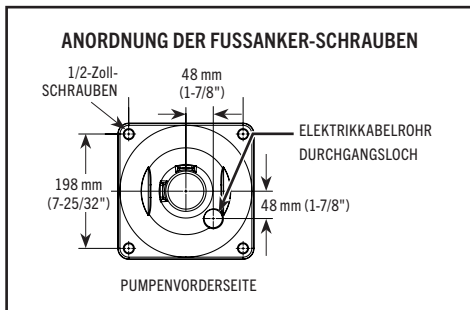
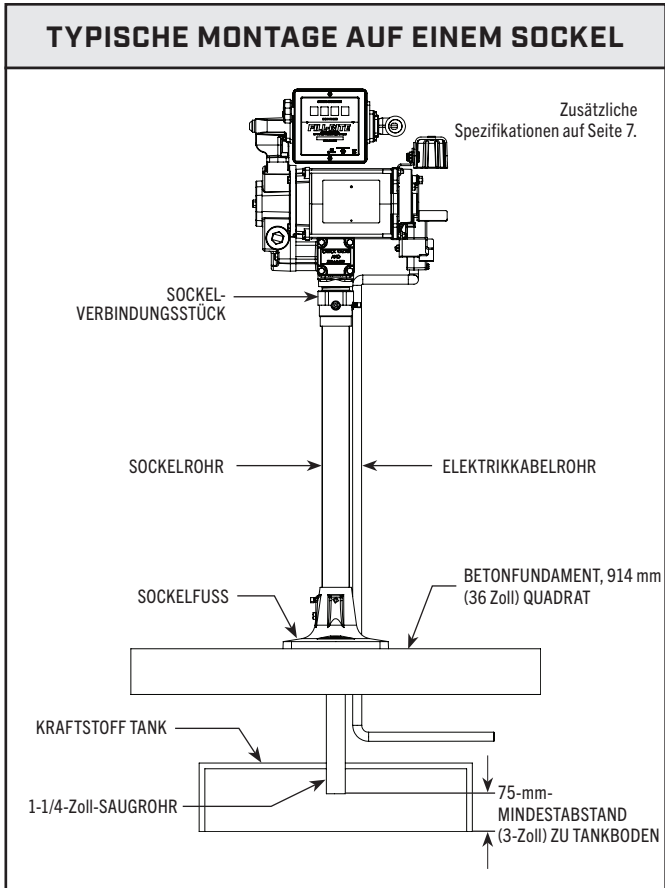
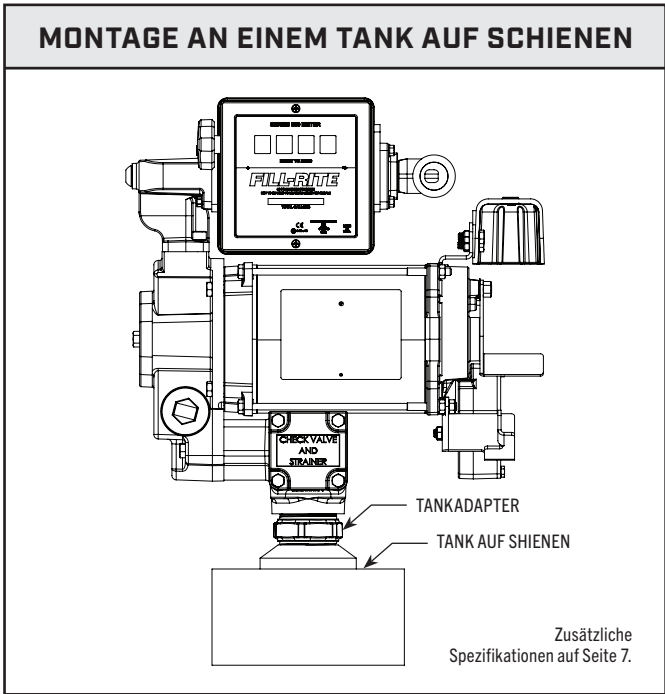
Typische Montage auf einem Sockel

Werkstoffe:

- Saugrohr mit 1-1/4-Zoll-Gewinde, zugeschnitten auf eine Höhe von 825 mm (32-1/2 Zoll) über dem Sockel.
- FRPA125 Sockelsatz (umfasst Sockelrohr, Sockelfuß und Verbindungsstück).
- Für die Anwendung geeignetes Gewindedichtmittel für Rohrverschraubungen.

Montageverfahren:

1. Das Verbindungsstück vom Sockelrohr entfernen, indem die Einstellschrauben gelockert werden.
2. Die Baugruppe Sockelrohr/ Pumpen-sockelfuß auf das 1-1/4-Zoll-Saugrohr schieben.
3. Die Schrauben im Sockelfuß lockern, damit das Sockelrohr nach unten geschoben werden kann und damit das Ende des Saugrohrs freiliegt.
4. Das Verbindungsstück auf das Saugrohr schrauben; das Gewinde mit einem geeigneten Gewindedichtmittel flüssigkeitsdicht abdichten.
5. Das Sockelrohr in der Verbindungsstück schieben und die Einstellschrauben festziehen.
6. Die Schrauben im Sockelfuß festziehen.
7. Die Pumpe am Verbindungsstück montieren und das Gewinde mit einem geeigneten Gewindedichtmittel flüssigkeitsdicht abdichten.





Rohrgewindeverbindungen und Anschlüsse müssen mit geeignetem Dichtmittel oder Dichtband abgedichtet werden, um die Wahrscheinlichkeit von Leckage zu minimieren.

Heberschutzleitung

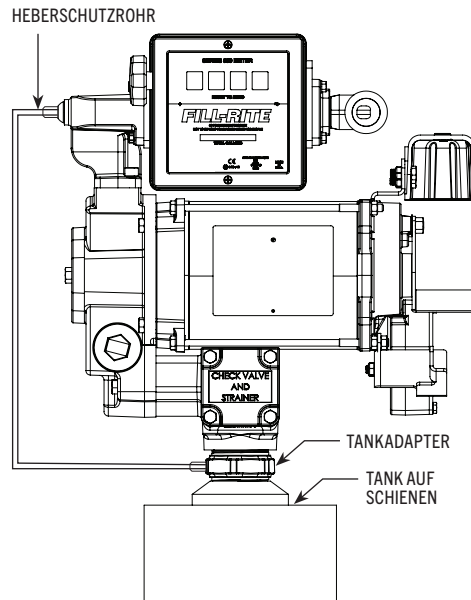
Die Pumpe der Serie FR300V wird ab Werk für die Montage einer Heberschutzleitung an der Tankrückseite vorbereitet ausgeliefert. Die Heberschutzvorrichtung (d. h. ein Vakuumunterbrecher) ist wichtig, da bei abgeschalteter Pumpe die Hebewirkung der Flüssigkeit aufgehoben wird, falls ein offenes Zapfventil oder ein undichter Schlauch unter dem Flüssigkeitsstand vorhanden ist. Fill-Rite empfiehlt den Heberschutzsatz KIT700AS zwischen dem Pumpenauslass und dem Luftraum im Tank zu montieren.

Diese Abbildung zeigt, wo das Rohr montiert werden muss, damit es im Luftraum oben im Tank endet. Das Rohr muss im Luftraum enden; falls es unter dem Flüssigkeitsstand im Tank endet, wird die Heberwirkung nicht verhindert. Es ist sehr wichtig, dass in der Leitung keine Flüssigkeit eingefangen wird; es muss eine kontinuierliche Neigung von der Pumpe hinunter in den Tank vorhanden sein. Das Rohr kann an eine beliebige Öffnung oben im Tank angeschlossen werden, falls der Tankadapter nicht verwendet wird. Nach Bedarf Reduzierstücke einsetzen, um die korrekte Passung und Abdichtung zu erzielen.

Wir empfehlen den Einsatz des Heberschutz-Tankadapters mit einer 1/4-Zoll-NPT-Öffnung in der Seite. Diese Öffnung mündet in den Luftraum des Tanks. Zwischen dem Adapter und der Heberschutzöffnung mit Metallrohren mit mindestens 1/4 Zoll Durchmesser, die für die gepumpte Flüssigkeit geeignet sind, mit einem geeigneten Dichtmittel flüssigkeitsdichte Verbindungen herstellen. Wenn der Heberschutz-Tankadapter verwendet wird, wird die 1/4-Zoll-NPT-Öffnung nicht für das Rohr verwendet; es muss der im Werk montierte Verschluss angebracht bleiben.

Fill-Rite bietet den Heberschutzsatz KIT700AS an (von der Fill-Rite-Vertriebsgesellschaft erhältlich). Dieser Satz enthält die erforderlichen Anschlussstücke und Rohrleitungen, um die Installation herzustellen wie in diesem Abschnitt abgebildet. **HINWEIS:** Dieser Satz ist NUR für die Montage an der Tankoberseite erforderlich.

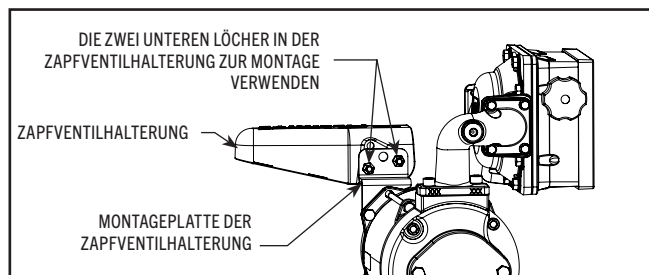
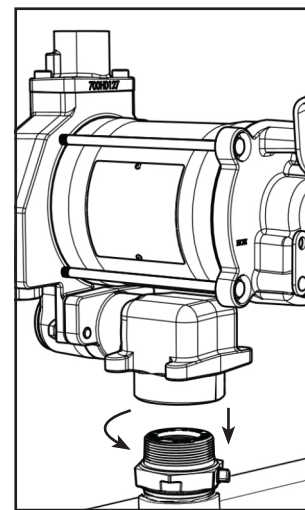
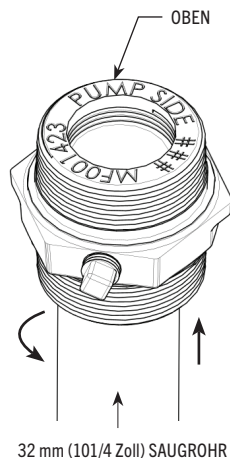
Wenn nicht KIT700AS verwendet wird, benötigen Sie KIT700AVB. Damit kann eine Leitung entweder zurück zum Tank oder aber zum Zapfenadapter verlegt werden.



Zusammenbau und Montage von Zapfenadapter/Saugrohr

Die Pumpen der FR300V Serie verfügt über einen 51-mm-Zapfenadapter mit integriertem Anschluss für eine Heberschutzleitung. Bei der Montage des Saugrohrs in den Zapfenadapter muss das Saugrohr richtig in den Zapfenadapter eingeführt werden, damit vorschriftsmäßiger Betrieb möglich ist. Das Saugrohr wird in den Tankadapter geschraubt und muss so zugeschnitten werden, dass das Rohrende mindestens 75 mm über dem Tankboden liegt.

1. Das Saugrohr wie oben beschrieben messen und zuschneiden.
2. Die Ober- und Unterseite des Zapfenadapters ermitteln, damit dieser korrekt in das Saugrohr eingesetzt werden kann. Der Zapfenadapter ist beschriftet: das Ende mit der Bezeichnung „PUMP SIDE“ (Pumpenseite) ist die Oberseite des Zapfenadapters. Es ist zu beachten, dass die Innengewinde des Saugrohrs OBEN in der Öffnung angebracht sind.
3. Die Gewinde des Saugrohrs mit für die gepumpte Flüssigkeit geeignetem Dichtmittel versehen. Das Saugrohr (mit der Gewindeseite nach oben) in die Unterseite des Zapfenadapters einführen, bis die Gewinde eingreifen.
4. Das Saugrohr im Zapfenadapter festziehen, um eine luft- und flüssigkeitsdichte Verbindung herzustellen.
5. Anti-Haftmittel auf die Außengewinde unten am Zapfenadapter auftragen. Den mit dem Saugrohr zusammengebauten Zapfenadapter in der Zapfenöffnung des Tanks montieren. Fest anziehen, um eine luft- und flüssigkeitsdichte Verbindung herzustellen.
6. Die Pumpe mit einem für die Flüssigkeit geeigneten Dichtmittel montieren und fest anziehen, um eine luft- und flüssigkeitsdichte Verbindung herzustellen.



Montage der Zapfventilhalterung

Die Zapfventilhalterung an den zwei unteren Schraubenlöchern an der Seite der Halterung montiert. Die Zapfventilhalterung mit den mitgelieferten Befestigungsteilen montieren. Wenn das Zapfventil korrekt montiert ist, befindet es sich in einer horizontalen Position.

Verkabelung

⚠️ WARNUNG

Die Verkabelung darf NUR von einem lizenzierten Elektriker durchgeführt werden und muss dem vorgesehenen Verwendungszweck der Pumpe den geltenden örtlichen und landesweiten Vorschriften, dem technischen Regelwerk sowie NEC/ANSI/NFPA 70, NFPA 30 und NFPA 30A entsprechen. Verschraubte Kabelrohre, abgedichtete Anschlüsse und Leiterdichtungen müssen verwendet werden. Die Pumpe muss vorschriftsmäßig geerdet sein. Unsachgemäßer Einbau oder Einsatz dieser Pumpe kann zu schweren oder tödlichen Verletzungen führen!

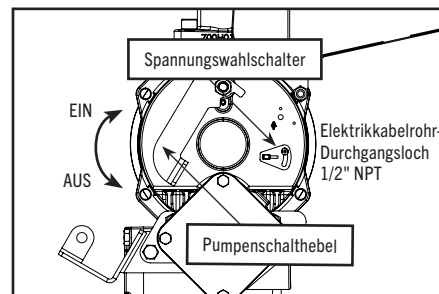
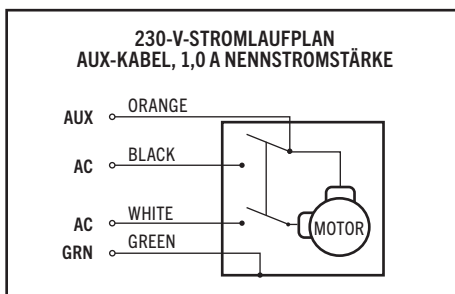
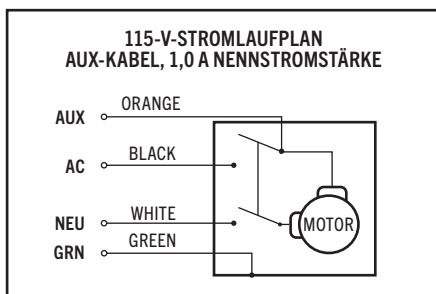
⚠️ VORSICHT

Alle Pumpen müssen mit der am Typenschild angegebenen Nennspannung betrieben werden. Die Spannung muss über einen eigenen 30-A-Trennschalter zur Pumpe geführt werden. Dieser Stromkreis darf keine anderen Ausrüstungen versorgen. Die Verkabelung muss ausreichend bemessen sein, um die richtige Stromstärke für die Pumpe zu liefern. Der Spannungsabfall hängt vom Abstand zur Pumpe und der Kabelgröße ab. Auf nationale, internationale und örtliche Vorschriften oder die US-Norm NEC Bezug nehmen, um den Ausgleich des Spannungsabfalls zu ermitteln und sicherzustellen, dass der korrekte Drahtdurchmesser für diese Anwendung verwendet wird.

Verkabelungsverfahren

⚠️ WARNUNG

Das Kabel „AUX.“ IST STROMFÜHREND, wenn der Schalter eingeschaltet ist! Das Kabel „AUX“ ist bei der Auslieferung isoliert und abgeschirmt. Dieses Kabel NICHT anschließen, ohne erst die Nennspannung des Kabels im eingeschalteten Zustand auf Verträglichkeit mit den zu montierenden Geräten prüfen. Die maximale Stromstärke in diesem Kabel beträgt 1 A. Das Kabel „AUX“ muss isoliert und in der Verteilerdose eingeschlossen werden, falls es nicht verwendet wird.



1. Den Deckel der Verteilerdose entfernen und die Drähte gerade richten, damit die abisolierten Drahtende außerhalb der Verteilerdose zugänglich sind.
2. Die Pumpenkabel gemäß Stromlaufplan an die Versorgungsleitungen anschließen. Darauf achten, dass die Anschlüsse mit geeigneten Kabelmuttern und anderen Steckverbindern vorschriftsmäßig isoliert werden. Es ist zu beachten, dass das Massekabel angeschlossen werden MUSS.
3. Die Kabel in die Verteilerdose schichten und den Deckel anbringen. Sicherstellen, dass die Deckeldichtung korrekt sitzt.

Die Eingangsspannung für die Pumpe mit dem Spannungswahlschalter am Ende der Pumpe einstellen. **HINWEIS: Die Pumpe wird ab Werk auf 115 V~ eingestellt ausgeliefert.**

HINWEIS

Darauf achten, dass die Dichtung für den Deckel der Verteilerdose aufgesetzt ist. Die Schrauben ziehen den Deckel dicht gegen die Verteilerdose fest. Es darf kein Spalt zwischen Verteilerdose und Deckel vorhanden sein.

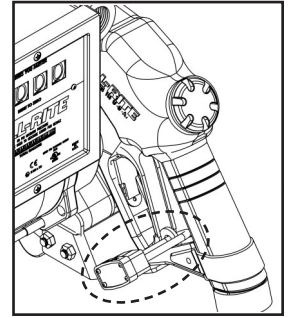
		MAXIMALE KABELLÄNGE METERS [US-FUSS]											
		Massivdraht						Litzendraht					
AWG		14	12	10	8	6	4	14	12	10	8	6	4
0,5 PS	115 V~ [60-Hz-Motor]	18,9 (62)	30,2 (99)	48,2 (158)	76,2 (250)	--	--	18,6 (61)	29,3 (96)	46,9 (154)	74,7 (245)	118,6 (389)	189,0 (620)
	230 V~ [50-Hz-Motor]	65,2 (214)	103,6 (340)	165,2 (542)	261,8 (859)	--	--	63,7 (209)	100,9 (331)	161,2 (529)	257,3 (844)	--	--
	230 V~ [60-Hz-Motor]	67,4 (221)	107,0 (351)	170,7 (560)	270,4 (887)	--	--	65,8 (216)	104,2 (342)	166,4 (546)	265,5 (871)	--	--
0,75 PS	115 V~ [60-Hz-Motor]	13,4 (44)	21,6 (71)	34,4 (113)	54,3 (178)	--	--	13,1 (43)	21,0 (69)	33,5 (110)	53,3 (175)	84,7 (278)	135,0 (443)
	230 V~ [50-Hz-Motor]	44,5 (146)	70,7 (232)	112,5 (369)	178,3 (585)	--	--	43,3 (142)	68,9 (226)	109,7 (360)	175,0 (574)	--	--
	230 V~ [60-Hz-Motor]	45,4 (149)	72,2 (237)	114,9 (377)	182,3 (598)	--	--	44,2 (145)	70,4 (231)	112,2 (368)	178,9 (587)	--	--

Betriebsanweisungen

1. Den Zähler auf „0“ zurücksetzen (sofern zutreffend).
2. Das Zapfventil aus der Halterung nehmen.
3. Den Schalthebel auf EIN stellen, um die Pumpe einzuschalten.
4. Das Zapfventil in den Behälter stecken, der gefüllt werden soll.
5. Das Zapfventil betätigen, um Flüssigkeit zu pumpen; das Zapfventil loslassen, nachdem die gewünschte Flüssigkeitsmenge abgegeben wurde.
6. Den Schalthebel hinunter auf AUS stellen, um die Pumpe auszuschalten.
7. Das Zapfventil aus dem Behälter nehmen und in der Halterung unterbringen.

Sicherung mit Vorhängeschloss

Das Zapfventil der Fill-Rite-Pumpe kann aus Sicherheitsgründen mit einem Vorhängeschloss gesichert werden. Wenn die Pumpe abgeschaltet und das Zapfventil in der Halterung ist, kann ein Vorhängeschloss durch den Schlossriegel und die Öffnung des Zapfventil-Auslösehebels eingesetzt werden. Bei dieser Anordnung kann das Zapfventil nicht aus dem Zapfventilhalter entnommen werden.



Das Zapfventil beim Füllen stets in Kontakt mit dem Behälter halten, der gefüllt wird, um die Möglichkeit statischer Aufladung zu minimieren.

Sicherheitsprüfungszulassungen

Die Fill-Rite-Pumpen FR300V wurden Sicherheitsprüfungen hinsichtlich Konformität mit den von UL Laboratories angegebenen Normen unterzogen.



Flüssigkeitsverträglichkeit

Dieseldieselkraftstoff, Kerosin, Mineralöle, Stoddard-Lösungsmittel, Heptan, Biodiesel (max. B20) und Biodiesel (B21 – B100) verwenden KIT300BD

HINWEIS

Wenn die Verträglichkeit einer bestimmten Flüssigkeit nicht gesichert ist, den Flüssigkeitslieferanten kontaktieren und nach nachteiligen Reaktionen mit folgenden benetzten Werkstoffen fragen: Gusseisen; Stahl; verzinkter Stahl; Edelstahl der Serie 300; Kohle; Polyester; Fluorkohlenstoff; Teflon; Messing; Eisen; Kupfer; Buna; Edelstahl der Serie 400; Aluminium.

Technische Informationen/Daten

Caractéristiques techniques

- Einlass: Bung: 2-Zoll-NPT-Außengewinde; Saugrohr – 1-1/4-Zoll-NPT-Innengewinde oder Bung: 2-Zoll-BSPT-Außengewinde; Saugrohr – 1-1/2-Zoll-BSPT.
- Auslass: 1 Zoll NPT oder 1 Zoll BSPT (BSPT bei Modell "E").
- Pumpengehäuse aus Gusseisen: Eisenrotor (Verbundwerkstoff) und Schieber aus Kohle (Verbundwerkstoff).
- Sicherheit: Pumpe zum Anbringen eines Vorhängeschlosses geeignet. (Details sind auf Seite 7 zu finden)
- Thermischer Überlastschutz.
- Robuster Schalter.
- 30-Minuten-Arbeitszyklus.
- Explosionssicherer Motor, UL-Listing, versiegelte wartungsfreie Lager.
- Integriertes Rückschlagventil mit Druckentlastung an Einlassseite verhindert Druckaufbau und verbessert die Hubwirkung.
- Einfach zugängliches Sieb.
- Automatisches Bypassventil.
- 2-Zoll-Gewindesockel für Tanköffnungen.
- Konstante Stromaufnahme (Servicefaktor 1,0):
 - 115V 60Hz – 9,8 A / 50Hz – 11,4 A.
 - 230V 60Hz – 4,9 A / 50Hz – 5,7 A.

Gesamtmaße:

Modell FR310V: B x H x T = 435 x 381 x 378 mm (17,12 x 15 x 14,9 Zoll).

Modell FR311V: B x H x T = 435 x 489 x 378 mm (17,12 x 19,25 x 14,9 Zoll).

Modell FR319V: B x H x T = 435 x 493 x 378 mm (17,12 x 19,4 x 14,9 Zoll).

Versandgewicht:

FR310V: 36,3 kg (80 lbs) / FR311V: 41,3 kg (91 lbs) / FR319V: 41,7 kg (92 lbs)

Zubehör:

- Auf Seite 9 ist eine vollständige Liste der erhältlichen Zubehörteile zu finden.

Leistung:

- Maximaldruck: 1,79 bar (26 psi) am Pumpenauslass.
- Bis zu 132 l (35 US-Gallonen) pro Minute.
- Maximale Viskosität der gepumpten Flüssigkeit: Dieseldieselkraftstoff #2.
- Maximale Betriebstemperatur der Pumpe: 66 °C (150 °F).
- Minimale Betriebstemperatur der Pumpe: -25 °C (-13 °F) (für Betrieb bei tieferen Temperaturen ist die „Zapfdüse für Arktik“ und der „Schlauch für Arktik“ erforderlich, siehe Zubehörabschnitt auf Seite 9).

Suction Lift:

Die Saughöhe in Fuß entspricht dem vertikalen Abstand vom Flüssigkeitsstand im Tank zum Pumpeneinlass MINUS Reibungsverluste im vertikalen und horizontalen Leitungsverlauf, in allen Krümmern und anderen Armaturen. Das System muss so eingerichtet werden, dass ein Mindestwert an Saughöhe erzielt wird.

- Für Dieseldieselkraftstoff #2 alle anderen Modelle (0,75 PS) verwenden, die Saughöhe beträgt 5,5 m (18 Fuß).

Fehlersuche

Die folgende Anleitung zur Fehlersuche enthält grundlegende Diagnoseinformationen, mit denen eine ungewöhnliche Funktionsweise des Fill-Rite-Produktes untersucht werden kann.

Wenn Sie Fragen zur Installation, zum Betrieb oder zur Wartung Ihres Produkts haben, wenden Sie sich bitte an unseren technischen Support unter 1 (800) 720-5192 oder per E-Mail unter FillRiteTech@fillrite.com (Mo–Fr, 8–17 Uhr EST). Sie können auch fillrite.com besuchen.



KEINESFALLS den Motor der Pumpe der FR300V Serie öffnen oder zu reparieren versuchen. Wenn das Motorgehäuse geöffnet wird, kann dies die explosions sichere Bauweise beeinträchtigen. Dadurch wird außerdem die Garantie und Zulassung (UL Listing) ungültig. **Siehe dazu die Garantiebestimmungen auf Seite 2.**



Sicherstellen, dass die gesamte Stromversorgung zur Pumpe abgetrennt wird, bevor Wartungs- oder Instandsetzungsarbeiten durchgeführt werden.

Symptom	Ursache	Abhilfe
Pumpe lässt sich nicht vorfüllen	1. Problem in Saugleitung	Auf Lecks in Saugleitung prüfen
	2. Bypassventil ist offen	Ventil ausbauen und prüfen; es muss frei beweglich und rückstandsfrei sein
	3. Schieber klemmen	Schieber und Kanäle auf Kerben, Grate und Verschleiß prüfen*
	4. Übermäßiger Rotor- oder Schieberverschleiß	Rotor und Schieber auf starken Verschleiß oder Schäden prüfen; gegebenenfalls austauschen*
	5. Blockierung in Auslass	Pumpenauslass, Schlauch, Zapfventil und Filter auf Blockierung prüfen
	6. Dampfblasenbildung	Vertikalen und horizontalen Abstand von Pumpe zu Flüssigkeit verringern; automatische Zapfventile entfernen
Mangelhafte Förderleistung	1. Zu viel Schmutz im Sieb	Sieb ausbauen und reinigen
	2. Problem in Saugleitung	Saugleitung auf Lecks oder Blockierungen prüfen; sie kann zu klein, lang oder nicht luftdicht sein
	3. Bypassventil klemmt	Ventil ausbauen und prüfen; es muss frei beweglich und rückstandsfrei sein
	4. Schieber klemmen	Schieber und Kanäle auf Verschleiß prüfen*
	5. Übermäßiger Rotor- oder Schieberverschleiß	Rotor und Schieber auf starken Verschleiß oder Schäden prüfen; gegebenenfalls austauschen*
	6. Schlauch oder Zapfventil ist beschädigt	Schlauch oder Zapfventil austauschen
	7. Filter verstopft.	Filter austauschen
	8. Niedriger Flüssigkeitsstand.	Tank füllen
Pumpe läuft langsam	1. Falsche Spannung	Versorgungsspannung bei laufender Pumpe prüfen
	2. Schieber klemmen	Schieber und Kanäle auf Kerben, Grate und Verschleiß prüfen*
	3. Verkabelungsproblem	Auf lose Anschlussstellen prüfen
	4. Motor stirbt ab	Siehe Garantiebestimmungen
Motor stirbt ab	1. Bypassventil klemmt	Ventil ausbauen und prüfen; es muss frei beweglich und rückstandsfrei sein
	2. Niedrige Spannung	Versorgungsspannung bei laufender Pumpe prüfen
	3. Übermäßiger Rotor- oder Schieberverschleiß	Rotor und Schieber auf starken Verschleiß oder Schäden prüfen*
	4. Rückstände in Pumpenkammer	Rückstände aus Pumpenkammer reinigen
Motor überhitzt (thermischer Überlastschutz ausgelöst)	1. Pumpen von hochviskosen Flüssigkeiten	Diese Flüssigkeiten dürfen nur kurz (weniger als 30 Minuten Einschaltdauer) gepumpt werden
	2. Verstopftes Sieb	Sieb ausbauen und reinigen
	3. Verstopfte Saugleitung	Rohr ausbauen und reinigen
	4. Motorausfall	Siehe Garantiebestimmungen
	5. Pumpenrotor blockiert	Pumpenrotor und Schieber reinigen und prüfen*

Fehlersuche (Forts.)

Symptom	Ursache	Abhilfe
Motor ist funktionsunfähig	1. Keine Stromversorgung.	Stromversorgung prüfen
	2. Schalterausfall	Siehe Garantiebestimmungen
	3. Motorausfall	Siehe Garantiebestimmungen
	4. Thermischer Überlastschutz defekt	Siehe Garantiebestimmungen
	5. Falsche/lockere Verkabelung	Verkabelung prüfen
Flüssigkeitsleck	1. Mangelhafte O-Ring-Dichtung	Alle O-Ring-Dichtungen prüfen
	2. Verschmutzter Wellendichtring	Dichtring und Dichtungsraum reinigen
	3. Defekte Wellendichtring	Dichtring austauschen
	4. Verträgliche Flüssigkeiten	Liste der benetzten Werkstoffe dem Flüssigkeitshersteller vorlegen (siehe Seite 7)
	5. Lockere Befestigungsteile	Befestigungsteile festziehen
Pumpe summt, lässt sich aber nicht betreiben	1. Schmutz in Pumpenkammer.	Pumpenkammer reinigen
	2. Motorausfall.	Siehe Garantiebestimmungen
	3. Gebrochener Rotor-Keilwelleneinsatz.	Alle Rückstände entfernen und Keilwelleneinsatz austauschen

Fettgedruckter Text weist auf Reparaturen hin, die der Eigentümer nicht selbst durchführen kann; weitere Anweisungen sind den Garantiebestimmungen auf Seite 2 zu entnehmen.

* Bei mit einem Sternchen (*) gekennzeichneten Reparaturen ist der Reparatursatz 300KTF7794 erforderlich. Dieser Satz enthält einen Ersatzrotor und neue Schieber sowie einige andere wichtige Dichtungen und Komponenten, die für die Reparatur benötigt werden.

Zubehör

Es sind zahlreiche verschiedene Zubehörteile erhältlich, damit Sie die Leistung der Fill-Rite-Pumpe maximieren können. Es folgt eine Liste der Zubehörteile, die für das jeweilige Produkt geeignet sind. Wenden Sie sich an die Fill-Rite Vertriebsgesellschaft, um die benötigten Zubehörteile zu erwerben.

Teilenummer	Beschreibung
F4010PM0	1-Zoll-Filtersatz (Partikel, 10 µm)
F4030M0	1-Zoll-Filtersatz (Partikel, 30 µm)
700ACCF7017	1-Zoll-Filterkopf
FRPA125	Sockelmontagesatz
KIT700AS	Heberschutzsatz
FRH10012	1-Zoll-Schlauch (3,65 m [12 Fuß])
FRH10014	1-Zoll-Schlauch (4,27 m [14 Fuß])
FRH10020	1-Zoll-Schlauch (6,1 m [20 Fuß])

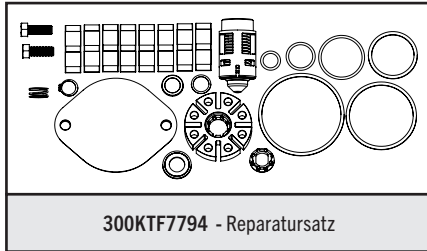
Teilenummer	Beschreibung
FRHA10020	1-Zoll-Schlauch, für Einsatz unter arktischen Bedingungen (6,1 m [20 Fuß])
FRHMN100S	1-Zoll-Zapfventilsatz, Manuelle Zapfdüse, verbleit
N100DAU13	1-Zoll-Zapfventil mit Abschaltautomatik (extrem hoher Durchfluss, Diesel)
N100DAU10	1-Zoll-Zapfventil mit Abschaltautomatik (hoher Durchfluss, Diesel)
FRNA100DAU00	1-Zoll-Zapfventil mit Abschaltautomatik (für Arktik, Diesel)
S100H315	1-Zoll-Drehgelenk, mehrere Ebenen
B100F475	1-Zoll-Losbrechventil
WH10012	1-Zoll-Schlauchpeitsche

Ersatzteil-Informationen

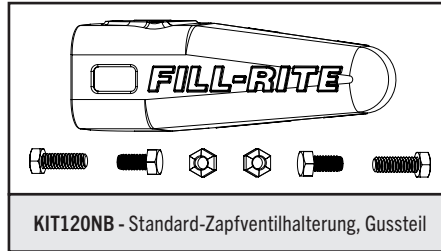
Für Reparaturen oder routinemäßige Wartung bietet Fill-Rite die benötigten Teile. Die folgende Explosionszeichnung und Teileliste enthält alle Teile für das Fill-Rite-Produkt. Diese Teile können bei einem Fill-Rite-Vertragshändler erhalten werden. Sicherstellen, dass bei der Wartung und Instandsetzung nur Original-Fill-Rite-Ersatzteile verwendet werden. Eine Liste von Vertragshändlern ist auf unserer Website fillrite.com zu finden.



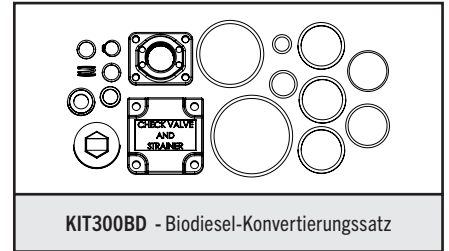
KEINESFALLS den Motor der Pumpe der FR300V Serie öffnen oder zu reparieren versuchen. Wenn das Motorgehäuse geöffnet wird, kann dies die explosions sichere Bauweise beeinträchtigen. Dadurch wird außerdem die Garantie und Zulassung (UL Listing) ungültig. Siehe dazu die Garantiebestimmungen auf Seite 2.



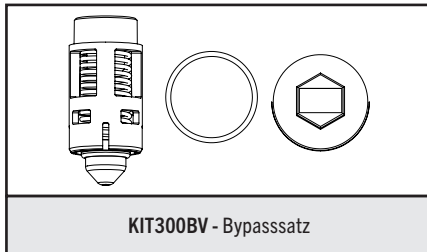
300KTF7794 - Reparatursatz



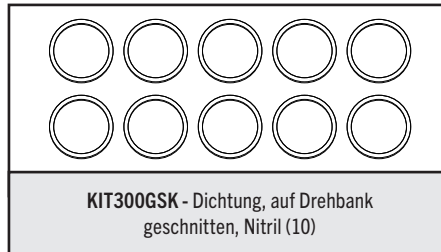
KIT120NB - Standard-Zapfventilhalterung, Gussteil



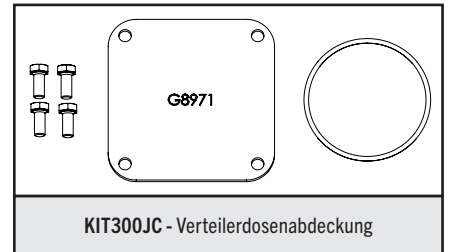
KIT300BD - Biodiesel-Konvertierungssatz



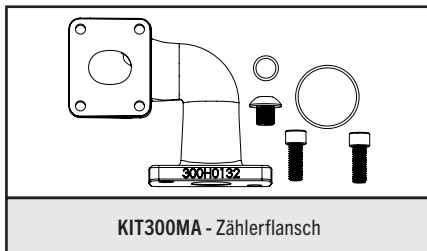
KIT300BV - Bypasssatz



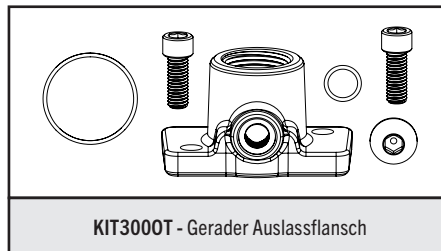
KIT300GSK - Dichtung, auf Drehbank geschnitten, Nitril (10)



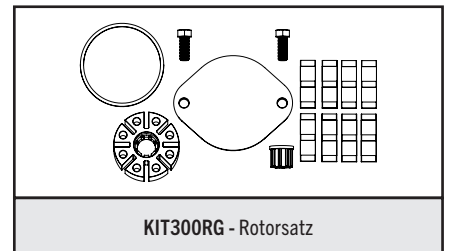
KIT300JC - Verteilerdosenabdeckung



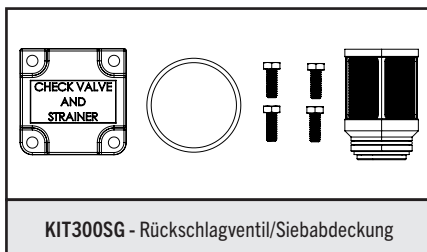
KIT300MA - Zählerflansch



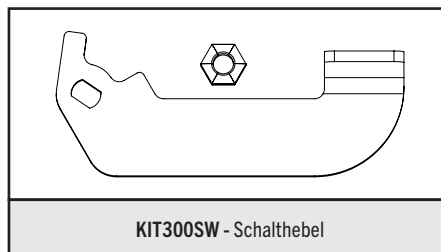
KIT300OT - Gerader Auslassflansch



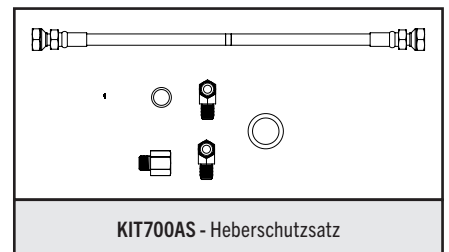
KIT300RG - Rotorsatz



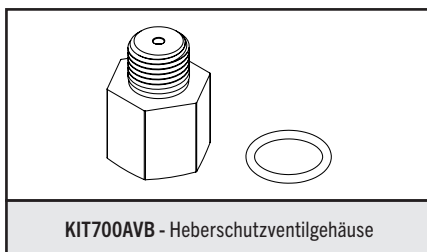
KIT300SG - Rückschlagventil/Siebabdeckung



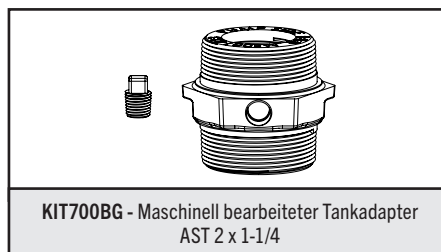
KIT300SW - Schalthebel



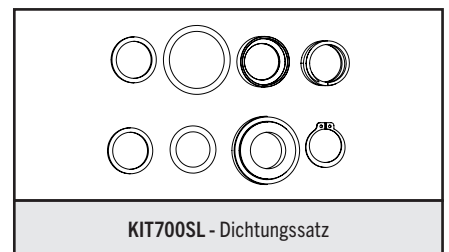
KIT700AS - Heberschutzsatz



KIT700AVB - Heberschutzventilgehäuse



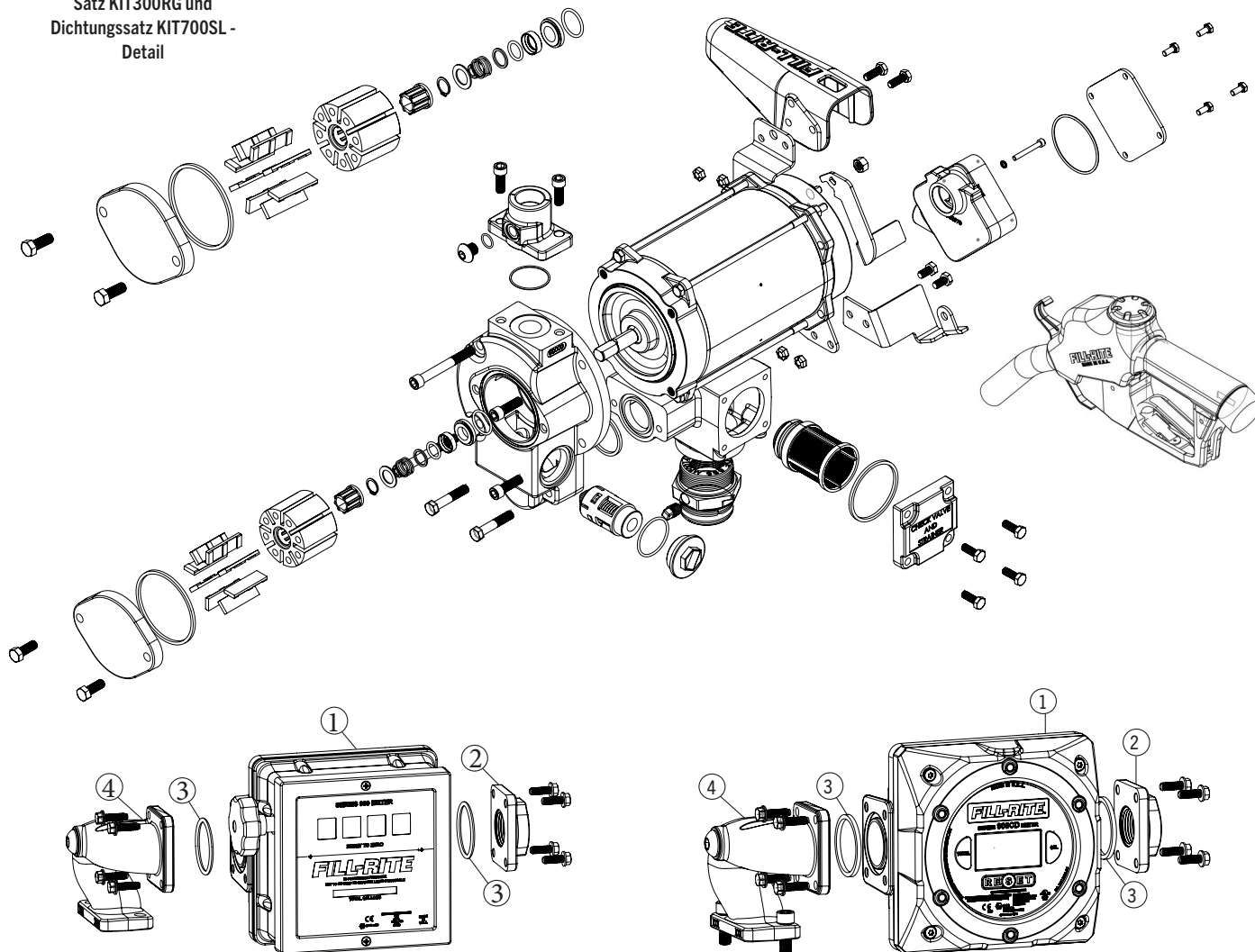
KIT700BG - Maschinell bearbeiteter Tankadapter
AST 2 x 1-1/4



KIT700SL - Dichtungssatz

Teilleiste - FR300V / FR310V / FR311V / FR319V

Satz KIT300RG und
Dichtungssatz KIT700SL -
Detail



Teilleiste - FR311V

Die Konfiguration FR311V verfügt zusätzlich über einen mechanischen Zähler der Serie 901C, einen Einlasszählerflansch, einen Auslasszählerflansch, die zugehörigen Befestigungsteile und Dichtungen. Dieser Satz ist als Ausführung mit Liter- oder US-Gallonen-Zähler erhältlich.

Posten	US-Gallonen – Satz-Nr.	Beschreibung	Liter – Satz-Nr.	Menge
1	901C	Zähler 901C (allein, US-Gallone)	--	1
2	Zähler 901C (US-Gallone) Satz-Nr. 901CMK300V	Zählerflansch	Zähler 901CL (Liter) Satz-Nr. 901CLMK300V	1
3		Zählerdichtung		2
4		1-Zoll-Zählerverschraubung		1
1	--	Zähler 901CL (allein, Liter)	901CL	1

Teilleiste - FR319V

Die Konfiguration FR319V verfügt zusätzlich über einen Digitalzähler der Serie 900DB oder 900DP, einen Einlasszählerflansch, einen Auslasszählerflansch, die zugehörigen Befestigungsteile und Dichtungen. Dieser Satz ist als Ausführung mit oder ohne Impulsgeber erhältlich.

Posten	FR319VB – Satz-Nr.	Beschreibung	FR319VBP – Satz-Nr.	Menge	
--	Digitalzähler 900CD (kein Impulsgeber) FR319VB	Zähler 900CDP (allein)	900CDP	1	
2		Zählerflansch	Zähler 900CDP (mit integriertem Impulsgeber)	1	
3		Zählerdichtung	FR319VBP	--	2
4		1-Zoll-Zählerverschraubung			1
1	900CD	Zähler 900CD (allein)	FR319VBP	--	
N/S	--	Eigensichere Barriere*	KIT900DPBA	1	

*Nur zum Einsatz mit Zähler 900CDP mit Impulsgeber

HINWEIS

KEINESFALLS den Motor der Pumpe der FR300V Serie öffnen oder zu reparieren versuchen. Wenn das Motorgehäuse geöffnet wird, kann dies die explosions sichere Bauweise beeinträchtigen. Dadurch wird außerdem die Garantie und Zulassung (UL Listing) ungültig. **Siehe dazu die Garantiebestimmungen auf Seite 2.**

ACHTUNG!

Die folgenden Informationen gelten für Pumpen und Zähler mit Suffix E (vorgesehen zum Einsatz in Europa, Australien, Brasilien und Neuseeland)! Siehe Informationsschild auf der Pumpe, ob dies zutrifft.

Angaben am Motortypenschild

EINGANGSGEWINDE: M20-1,5 6H
VOLT: 115/230 Hz: 60/50 HP: ¾ AMB TEMP: 40°C PH: 1 RPM: 1725/1425
DUTY RATING: 30 MIN. FLA: 9.8/4.9/11.4/5.7 INS: B

Seriennummer und Herstellungsjahr.

Fill-Rite
8825 Aviation Drive
Fort Wayne, IN 46809 USA



2809

II 2 G
Ex db h IIA T4 Gb
FM09ATEX0075X
Ex db IIA T4 Gb
IECEx FMG19.0014X

WARNUNG – DARF IN EINER EXPLOSIVEN ATMOSPHERE NICHT GEÖFFNET WERDEN.

Werkstoff

Werkstoffe der Außenflächen des Geräts: lackierter Stahl; lackiertes Gusseisen; lackiertes Aluminium; verzinkter Stahl.

Werkstoffe der benetzten Teile: Gusseisen; Stahl; verzinkter Stahl; Edelstahl der Serie 300; Kohle; Polyester; Fluorkohlenstoff; Teflon; Messing; Eisen; Kupfer; Buna; Edelstahl der Serie 400; Aluminium.

Reparatur und Wartung

Kontaktieren Sie für Garantiereparaturen und Wartungsarbeiten den Verkäufer.

Montage

Die Pumpe muss je nach Maßgabe gemäß EN 60079-14 oder IEC 60079-14 montiert werden.

Sicherheitskonformitäts-Zertifikate für Produkte, die außerhalb der Vereinigten Staaten und Kanada verkauft werden, wurden für die folgenden Agenturen eingeholt. Das Schild auf dem Produkt enthält die relevanten Konformitätsdaten.

Spezielle Einsatzbedingungen

1. Wenden Sie sich an den Hersteller, wenn Informationen über die Abmessungen der druckfesten Verbindungen benötigt werden.
2. M6-Sechskantschrauben der ISO-Güteklasse 8.8 (Streckgrenze 640 MPa) dienen zum Ersetzen der Befestigungsteile für die Klemmgehäuseabdeckung.
3. M8-Sechskantschrauben der ISO-Güteklasse 8.8 (Streckgrenze 640 MPa) dienen zum Ersetzen der Befestigungsteile für das Statorgehäuse.
4. Mit entzündlichen Flüssigkeiten müssen ein elektrisch leitender Schlauch und ein elektrisch leitendes Zapfventil verwendet werden. Zur Minimierung des Aufbaus statischer Elektrizität muss das Zapfventil immer in Kontakt mit dem Behälter sein, der gefüllt wird.

Die Konformität für die Europäische Union wurde anhand der folgenden Normen überprüft:

EN IEC 60079-0:2018, Ed 7 „Explosionsgefährdete Bereiche – Teil 0: Betriebsmittel – Allgemeine Anforderungen.“

EN 60079-1:2014, Ed 7 „Explosionsgefährdete Bereiche – Teil 1: Schutz von Betriebsmitteln durch druckfeste Kapselung „d“.“

EN ISO 80079-36:2016, Ed 1 „Explosionsgefährdete Bereiche – Teil 36: Richtlinie für nichtelektrische Betriebsmittel zum Einsatz in explosionsgefährdeten Bereichen – Grundlagen und Anforderungen.“

EN ISO 80079-37:2016, Ed 1 „Explosionsgefährdete Bereiche – Teil 37: Richtlinie für nichtelektrische Betriebsmittel zum Einsatz in explosionsgefährdeten Bereichen – Schutzart „c“ für nichtelektrische Betriebsmittel, Schutz durch Zündquellenüberwachung „b“, Schutz durch Flüssigkeitskapselung „k“.“

Richtlinie 2014/34/EU – Betriebsmittel und Schutzsysteme zur Verwendung in explosionsgefährdeten Bereichen.

Richtlinie 2011/65/EU – Beschränkung der Verwendung bestimmter gefährlicher Stoffe in elektrischen und elektronischen Betriebsmitteln.

Die Konformität für das IECEx-Zertifikat wurde anhand der folgenden Normen überprüft:

IEC 60079-0:2017, Ed 7

IEC 60079-1:2014, Ed 7

Segurança



FILL-RITE®

A GORMAN-RUPP COMPANY

Fill-Rite Company
8825 Aviation Drive
Fort Wayne, Indiana 46809 USA

T 1 (800) 720-5192
1 (260)-747-7524
F 1 (800) 866-4681



fillrite.com | soteracom | gormanrupp.com