

# Operating Instructions

## Series DP7000 Spring Driven Hose Reels

High Pressure Model Numbers:

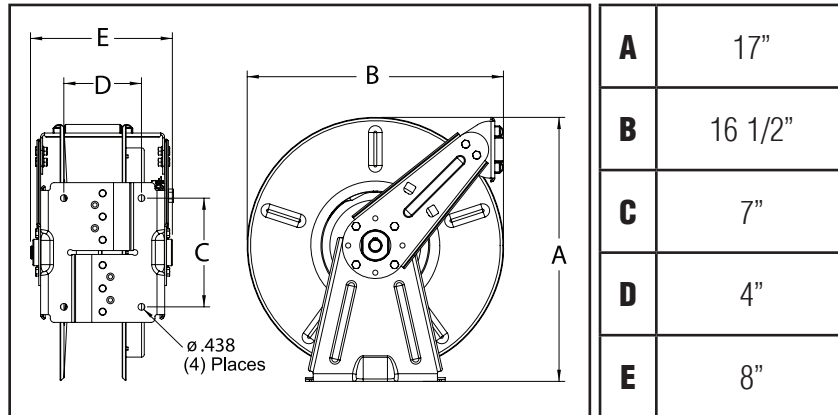
DP7400 OHP    DP7600 OHP  
DP7450 OHP    DP7650 OHP



### IMPORTANT

Read this manual carefully before installing, operating or servicing this equipment.

### Dimensions



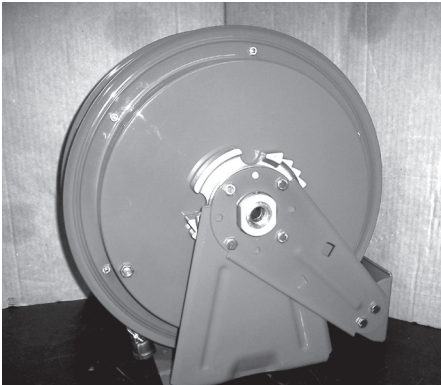
### SAFETY

Personal injury and/or equipment damage may result if proper safety precautions are not observed.

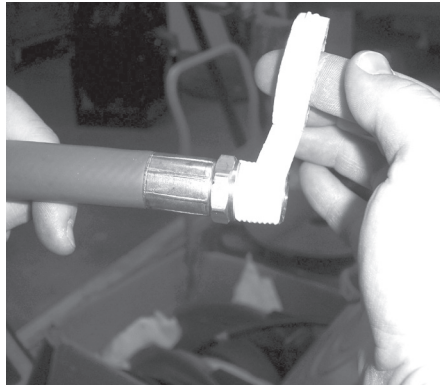
- Ensure that reel is properly installed before connecting input and output hoses.
- Bleed fluid/gas pressure from system before servicing reel.
- Before connecting reel to supply line, ensure that pressure does not exceed maximum working pressure rating of reel.
- Remember, even low pressure is very dangerous and can cause personal injury or death.
- Be aware of machinery and personnel in work area.
- If a leak occurs in the hose or reel, remove system pressure immediately.
- A high tension spring assembly is contained within the reel. Exercise extreme caution.
- Pull hose from reel by grasping the hose itself, not the control valve.
- If reel ceases to unwind or rewind, remove system pressure immediately. Do not pull or jerk on hose!
- Treat and respect the hose reel as any other piece of machinery, observing all common safety practices.

Form# 1198-207 Rev: 1/2022

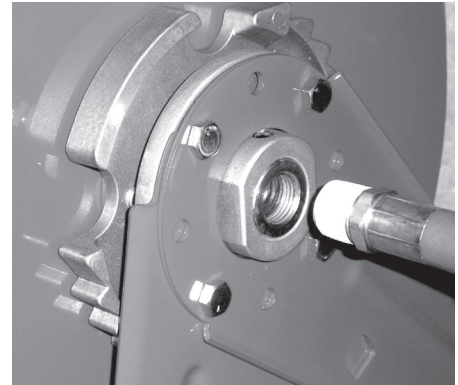
**Figure A**



**Figure B**



**Figure C**



## Installation Instructions

**WARNING:** Ensure that reel, hose, and equipment are properly grounded. Use an ohmmeter to check ground continuity.

### Mounting

**CAUTION:** Unless reel was specified differently when ordering, maximum installation height is 16 feet. Do not exceed this distance.

### Maximum Operating Temperature:

High pressure (4000 p.s.i.) = 210 °F (99 °C)

1. Unpack and inspect reel for damage. Turn spool by hand to check for smooth operation. Check for completeness.
2. Configure reel for top, side or bottom hose dispensing by removing bolts from one side of the guide roller bracket and loosening the four guide arm bolts on each side of the hose reel. Remove each guide arm then reinstall in the desired configuration.
3. Position reel on floor, wall, or ceiling. Secure into place using four (customer supplied) bolts.

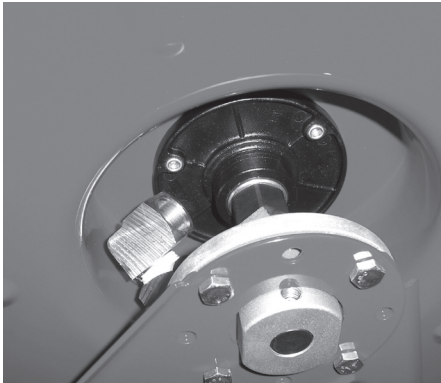
### Installing the Input Hose

**WARNING:** Ensure that supply line pressure does not exceed maximum working pressure rating of reel. Apply pipe thread sealant to all threads on standard reels. Do not overtighten connection. Recommended torque not to exceed 70 ft. lb.

**CAUTION:** Use flexible hose connection at input. Do not use rigid plumbing. The use of rigid plumbing may void warranty.

1. Apply thread sealant as shown in Figure B and connect input hose to main shaft input Figure C.
2. Tighten securely, ensuring a sealed connection has been made.

**Figure D**



**Figure E**



**Figure F**



### Installing the Output Hose

**WARNING:** Use extreme caution; reel under tension. Avoid releasing latch mechanism.

**CAUTION:** Apply pipe thread sealant to all threads on standard reels. Do not overtighten connection. Recommended torque not to exceed 70 ft. lb.

1. Manually turn sheave until spring is tight, back off 2 turns, then latch.
2. Route output hose through roller bracket, U-bolts, then through cut out in spool as indicated in above illustrations.
3. Connect output hose to swivel output as indicated in Figure E.
4. Place U-bolt over hose and through the slotted holes below the hose opening. Add washers and lock nuts, tighten securely. (Figure F)
5. Charge hose. Momentarily open control valve to purge hose of gases. When fluid appears at control valve, close valve. **With hose fully charged, release latch and wind output hose onto reel.**
6. Install bumper stop assembly.

### Adjustments

**WARNING:** Use extreme caution; reel under tension. Avoid releasing latch mechanism. If necessary, adjust spring tension on reel by manually adding or removing wraps of hose from spool, one wrap at a time, until desired tension is obtained. Manually add wraps to increase tension. Remove wraps to decrease tension.

**CAUTION:** When adding wraps of hose, add just enough wraps to achieve the desired tension without exceeding the winding mechanism's spring capacity. Properly tensioned reels allow all hose to be freely removed from the spool until the point of U-bolt contact. Damage to the winding mechanism will result if spring is over-tensioned.

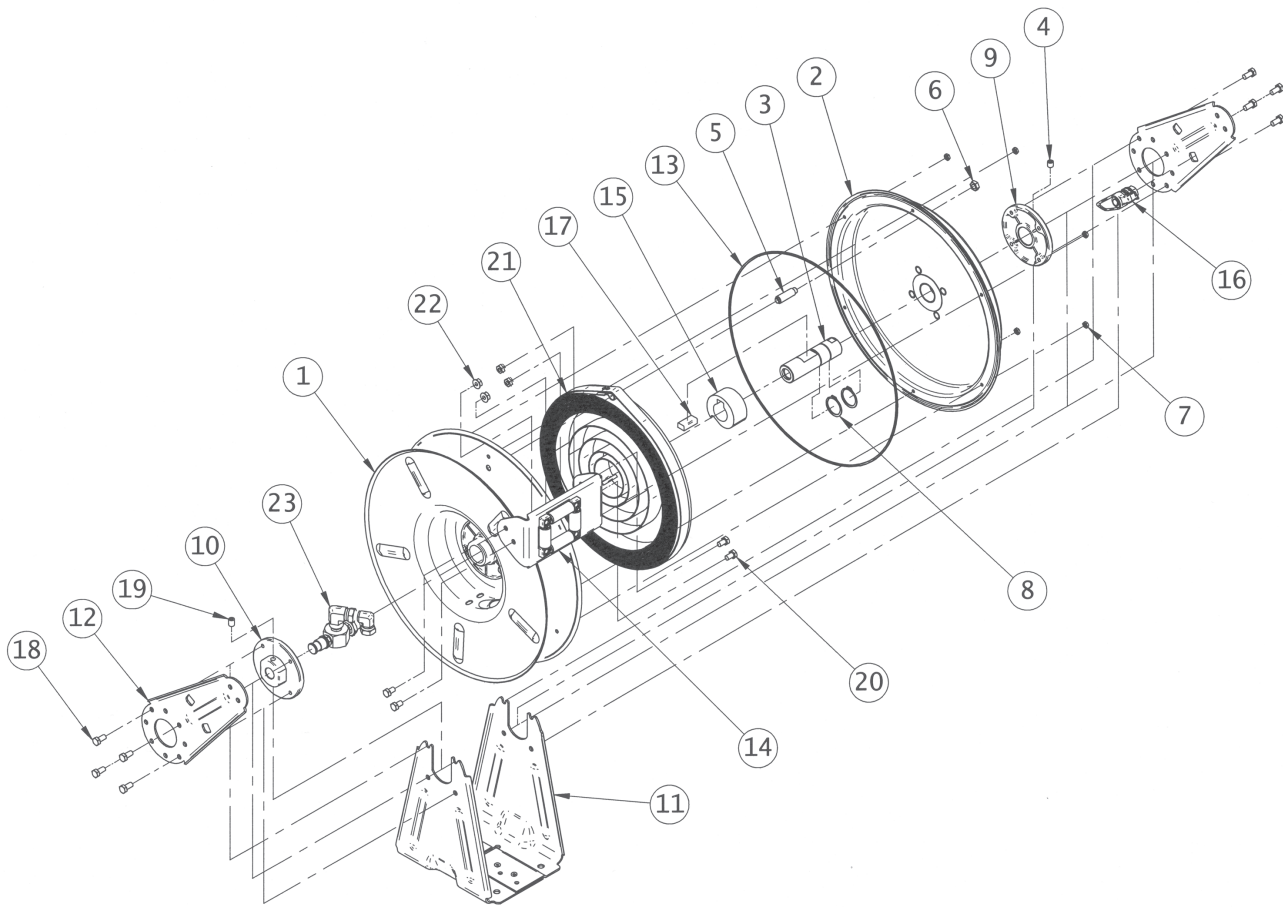
### Service Instructions

User servicing of the reel is limited to replacing input/output hoses only. Refer all other repairs to an authorized service person or directly to Reelcraft. Failure to do so may result in personal injury and/or equipment damage and may void the warranty.

**WARNING:** Rewind hose on reel, then bleed pressure from system before performing the following procedures.

**CAUTION:** Remove all spring tension before disassembling the hose reel. Do not attempt to open the riveted spring case assembly.

1. Replace hoses in accordance with procedures given in "Installation Instructions" section of this manual.
2. All mating moving parts have been factory lubricated as required.



ITEM NO.	PART NO.	NO. REQ'D.	DESCRIPTION	ITEM NO.	PART NO.	NO. REQ'D	DESCRIPTION
2	S602149	1	Spring Case and Ratchet Assembly	13	S262138	1	Spring Case O-Ring Seal
4	300121	1	Set Screw, 3/8"-16 x 3/8" Long	15	261274	1	Spring Arbor
5	S260031	1	Snap Case Stud	16	S602144	1	Latch Pawl Assembly
6	S76-106	1	Hex Jam Nut, 3/8"-24	17	261275	1	Arbor Key
7	S300011	6	Hex Lock Nut, 10-32	18	S2-52	8	Hex Cap Screw, 5/16-18 x 5/8" Long
8	300007	2	Snap Ring (External)	19	S300122	1	Snap Ring (External)
9	S262115	1	Hub A	20	S2-51	4	Hex Cap Screw, 5/16-18 x 1/2" Long
10	602158	1	Hub C and Bushing Assembly	22	300107	4	Hex Lock Nut, 5/16-18
12	S262110	2	Guide Arm				

ITEM NO.	DESCRIPTION	NO. REQ'D	DP7400 OHP	DP7450 OHP	DP7600 OHP	DP7650 OHP
1	Spool Assembly	1	S602147	S602147	S602147	S602147
3	Main Shaft	1	S262120	S262120	S262120	S262120
11	Base Assembly	1	602141	602141	602140	602140
14	Guide Roller Bracket Assembly	1	S602143	S602143	S602143	S602143
21	Drive Spring Assembly	1	262166-70	262156-70	262146-70	262146-70
23	Swivel Assembly	1	S602387	S602387	S602387	S602387
	Hose Assembly	1	None	S9-260044	None	S5-260044
	Bumper Stop Assembly	1	None	1-HR1004-3A	None	S602452