

Operating Instructions

Series 7000 Spring Driven Hose Reels

For Diesel Exhaust Fluid (DEF)

UR7800 OLB

UR7900 OLB

UR7925 OLB

UR7850 OLB



Dimensions

A	20 1/4"
B	19 3/4"
C	7 13/16"
D	3 7/8"
E	7"

SAFETY

1. Do not use reel at higher pressures or temperatures than listed on the back of this bulletin.
2. Remove all spring tension before beginning disassembly process.

INSTALLATION:

A flexible hose connection must be used between the hose reel inlet and the source of supply to prevent possible misalignment and binding.

MOUNTING:

The hose reel is equipped with a universal mounting bracket so that it can be mounted on the floor, wall or ceiling; whichever place is convenient. The hose guide arm can be moved to the position desired by removing the screws fastening the guide bracket to the reel base. Shift the guide arm bracket so the hose comes off the reel at the desired position and replace the screws. A 180° wall mount bracket or 340° pivot base are also available, consult manufacturer

LUBRICATION:

Hose reel spring and bearings are factory lubricated and require no further lubrication.

REPLACING HOSE:

1. Wind spool flange clockwise-facing swivel-until spring is tight.
2. Back off three turns and latch.
3. Insert hose through roller guide.
4. Connect hose fitting to swivel joint and secure hose with clamps.

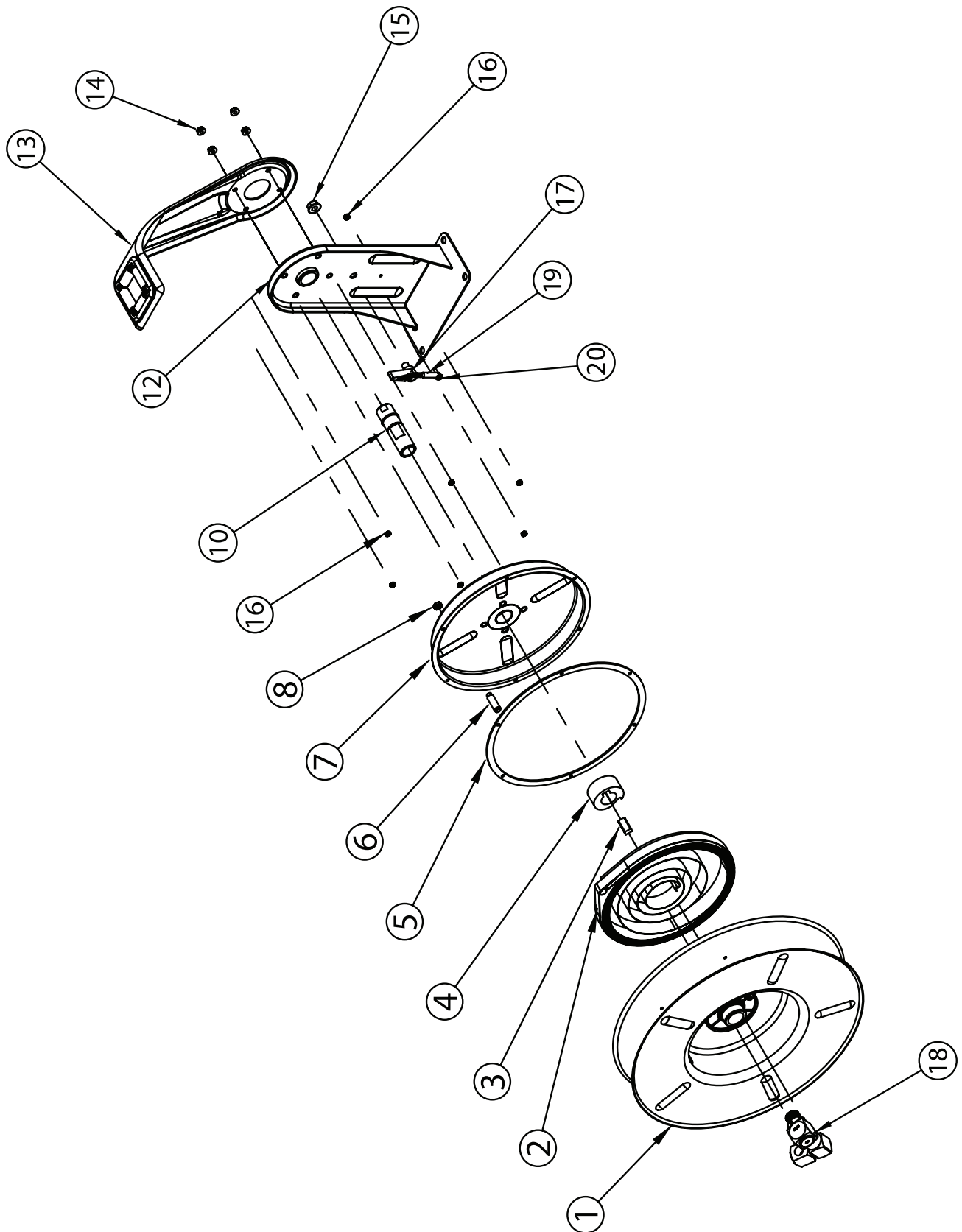
ADJUSTMENTS:

To adjust spring tension, add or remove wraps of hose from the spool, one wrap at a time until desired tension is obtained.

REPAIRS:

Extensive repairs should be performed only by an authorized serviceman or factory to avoid damage which may void your warranty. Remove all spring tension before beginning disassembly process.

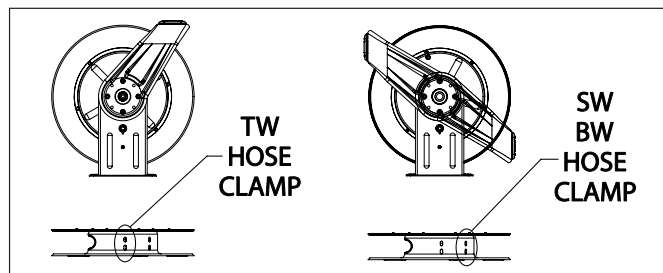
Form# 1215-910 Rev: 2/2023



Series 7000 Spring Driven Hose Reels

Item #	Description	# Req.	UR7800 OLB	UR7850 OLB
1	Sheave Assembly	1	S260011	S260011
2	Drive Spring Assembly	1	S260037	S260037
3	Arbor Key	1	261275	261275
4	Spring Arbor	1	261274	261274
5	Spring Case Gasket	1	S260069	S260069
6	Spring Case Stud	1	S260031	S260031
7	Spring Case & Ratchet Assembly	1	S260074	S260074
8	3/8-24 Hex Jam Nut	1	S76-106	S76-106
10	Main Shaft**	1	602283	602283
10	Main Shaft	1	S602683	S602683
12	Base Assembly	1	S600016	S600016
13	Guide Arm Assembly	1	S600017	S600017
14	5/16-18 Lock Nut	4	300107	300107
15	1/2-20 Hex Flange Nut	1	S280-8	S280-8
16	10-32 Nyloc Nut	7	S82-15	S82-15
17	Latch Pawl Assembly	1	S600018	S600018
18	Swivel Assembly**	1	600375-2	600375-2
18	Swivel Assembly	1	S602691-2	S602691-2
19	Latch Spring	1	S260067	S260067
20	10-32 Shoulder Screw	1	S393-2	S393-2
Bumper Stop Assembly		1	2-HR1004-3	2-HR1004-3
Hose Assembly		1	None	601107-50

Item #	Description	# Req.	UR7900 OLB	UR7925 OLB
1	Sheave Assembly	1	S260011	S260011
2	Drive Spring Assembly	1	S600023	S600023
3	Arbor Key	1	261275	261275
4	Spring Arbor	1	261274	261274
5	Spring Case Gasket	1	S260069	S260069
6	Spring Case Stud	1	S260031	S260031
7	Spring Case & Ratchet Ass'y	1	S260074	S260074
8	3/8-24 Hex Jam Nut	1	S76-106	S76-106
10	Main Shaft	1	262448	262448
12	Base Assembly	1	S600016	S600016
13	Guide Arm Assembly	1	S600017	S600017
14	5/16-18 Lock Nut	4	300107	300107
15	1/2-20 Hex Flange Nut	1	S280-8	S280-8
16	10-32 Nyloc Nut	7	S82-15	S82-15
17	Latch Pawl Assembly	1	S600018	S600018
18	Swivel Assembly	1	602379-2	602379-2
19	Latch Spring	1	S260067	S260067
20	10-32 Shoulder Screw	1	S393-2	S393-2
Bumper Stop Assembly		1	3-HR1004-3	3-HR1004-3
Hose Assembly		1	None	601092-25



****Prior to August 2016**

See online tech bulletin for more information