

Heat Press

LASER

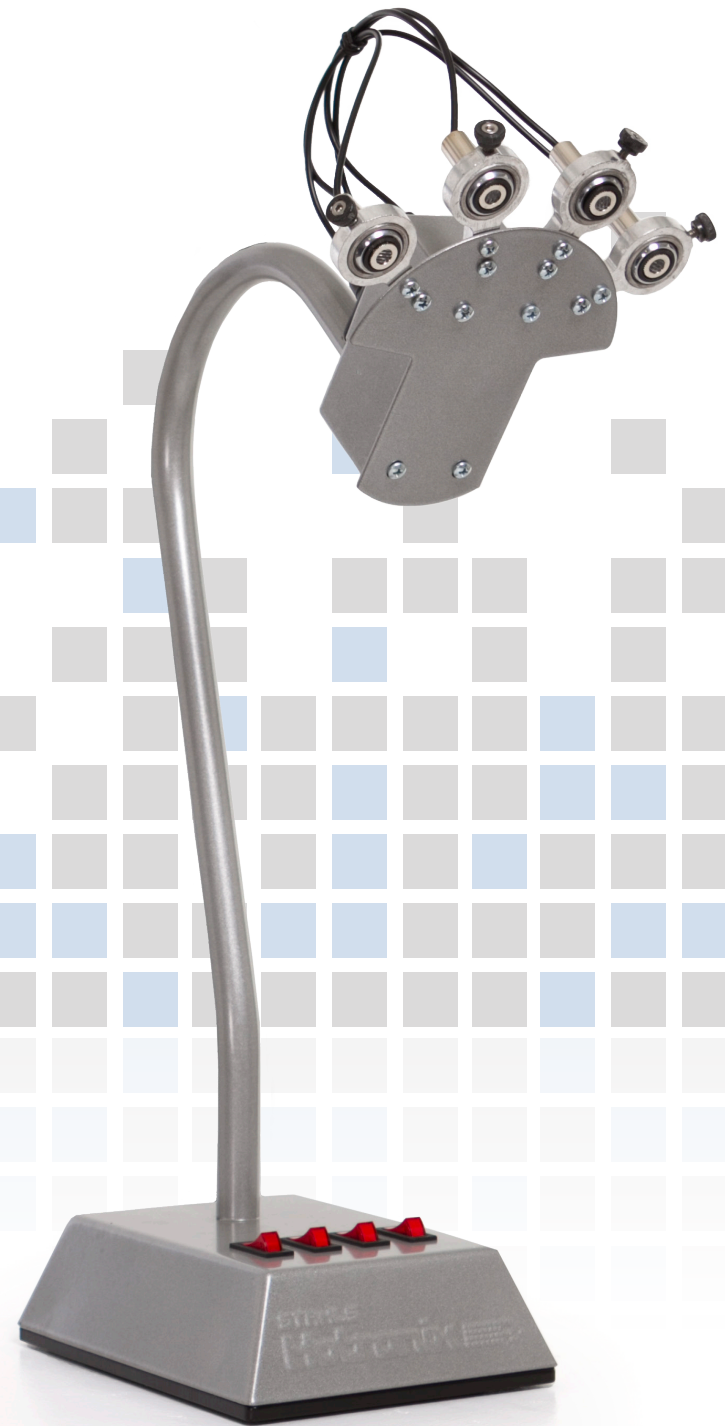
ALIGNMENT SYSTEM

Installation Instructions



Stahls' Laser Alignment System with one or more patents and/or patents pending.

See reverse for details.

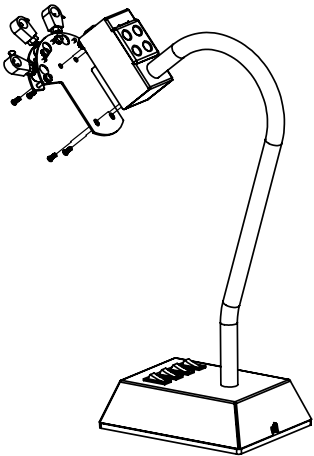


STAHLS'
Hotronix[®]

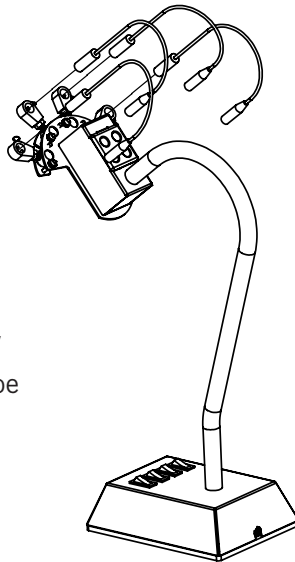
LASER

ALIGNMENT SYSTEM

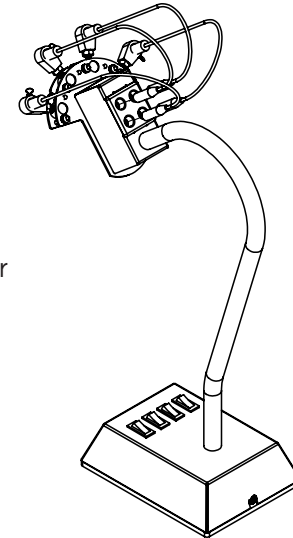
Installation Instructions



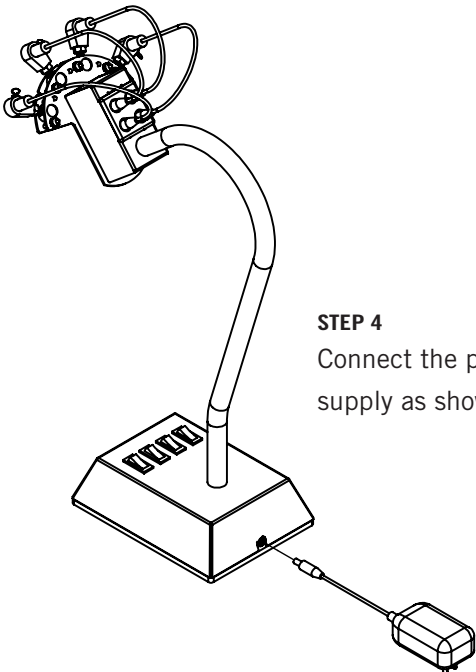
STEP 1
Using a phillips screw driver, attach the laser head assembly to the box at the end of the tube with four #8-32 x 3/4" screws provided.



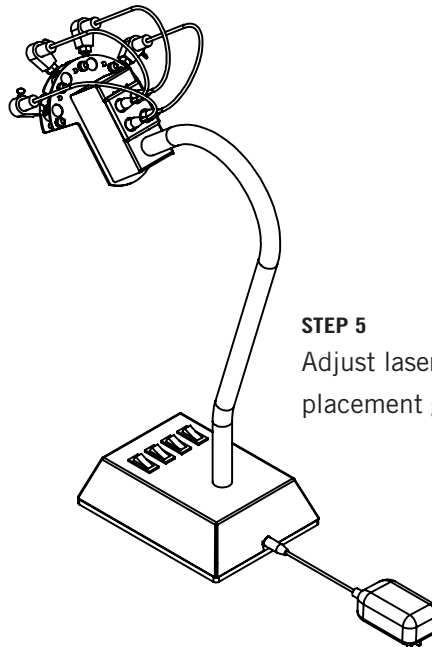
STEP 2
Plug the four lasers into the laser holders accordingly and then tighten the thumb screws.



STEP 3
Plug laser wires to plastic caps.



STEP 4
Connect the power supply as shown.



STEP 5
Adjust lasers using enclosed placement guide.

KIT COMPONENTS:

- Laser Stand
- Laser Plate
- Lasers (4)
- AC/DC Power Adapter

STAHL'S
Hotronix 

HOTRONIX.COM | 800.727.8520

 a GroupeSTAHL company