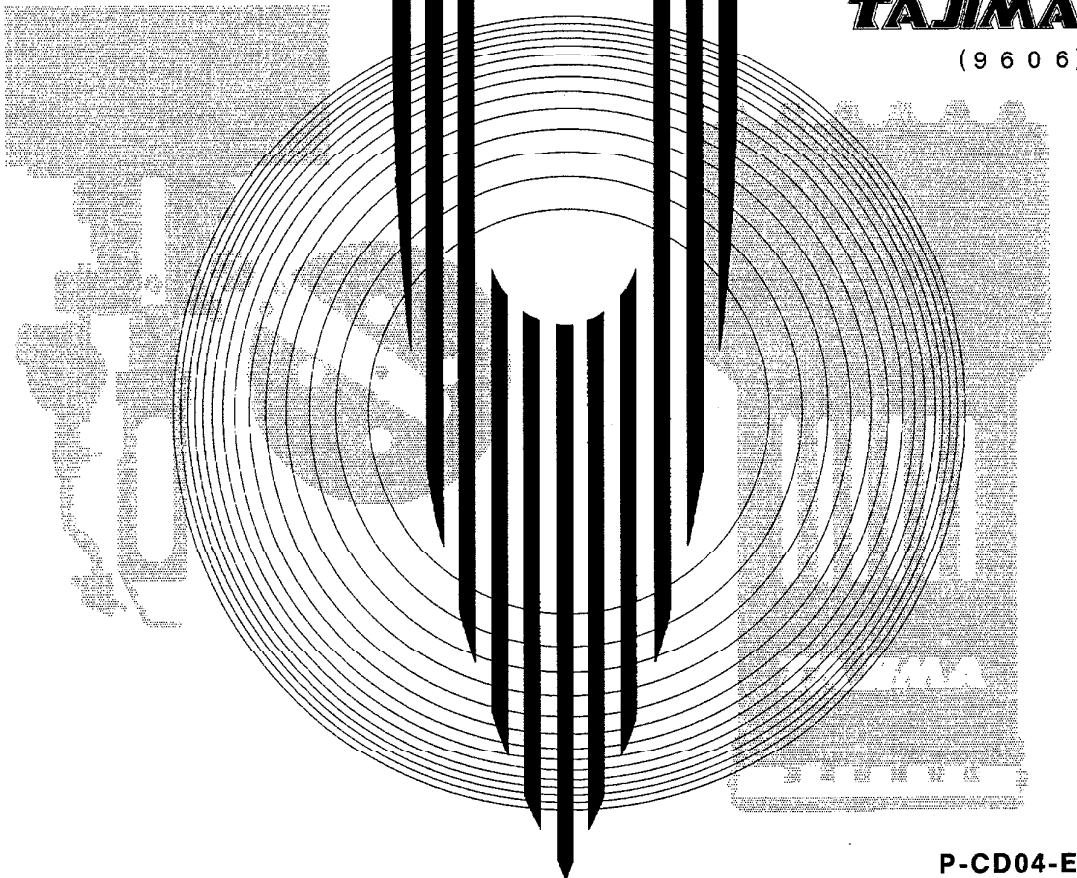


# PARTS LIST

---

# TME-DC



**TAJIMA**

( 9 6 0 6 )

## Table of Contents

● TME-DC FRAME-----	CD-1
● TME-DC TABLE-----	CD-2-1
● TME-DC AUTO SUB TABLE-----	CD-2-2
● TME-DC MAIN SHAFT DRIVE SYSTEM-----	CD-3
● TME-DC COLOR CHANGE SYSTEM-----	CD-4
● TME-DC ARM I-----	CD-5-1
● TME-DC ARM II-----	CD-5-2
● TME-DC NEEDLE BAR CASE-----	CD-6
● TME-DC KNIFE DRIVE SET & PICKER SET-----	CD-7
● TME-DC UPPER THREAD HOLDER SET-----	CD-8
● TME-DC CAM DRIVER SET-----	CD-9
● TME-DC X-AXIS DRIVE SYSTEM-----	CD-10
● TME-DC Y-AXIS DRIVE SYSTEM-----	CD-11
● TME-DC INDIVIDUAL TENSION BASE-----	CD-12
● TME-DC THREAD STAND-----	CD-13
● TME-DC EMBROIDERY FRAME-----	CD-14
● TME-DC POWER SUPPLY BOX-----	CD-15
● TME-DC DRIVER BOX-----	CD-16
● TME-DC CONTROLLER BOX-----	CD-17
● TME-DC MAIN SHAFT MOTOR ASSEMBLY-----	CD-18

### [Explanation of Marks # 's and \* 's at End of Part No.]

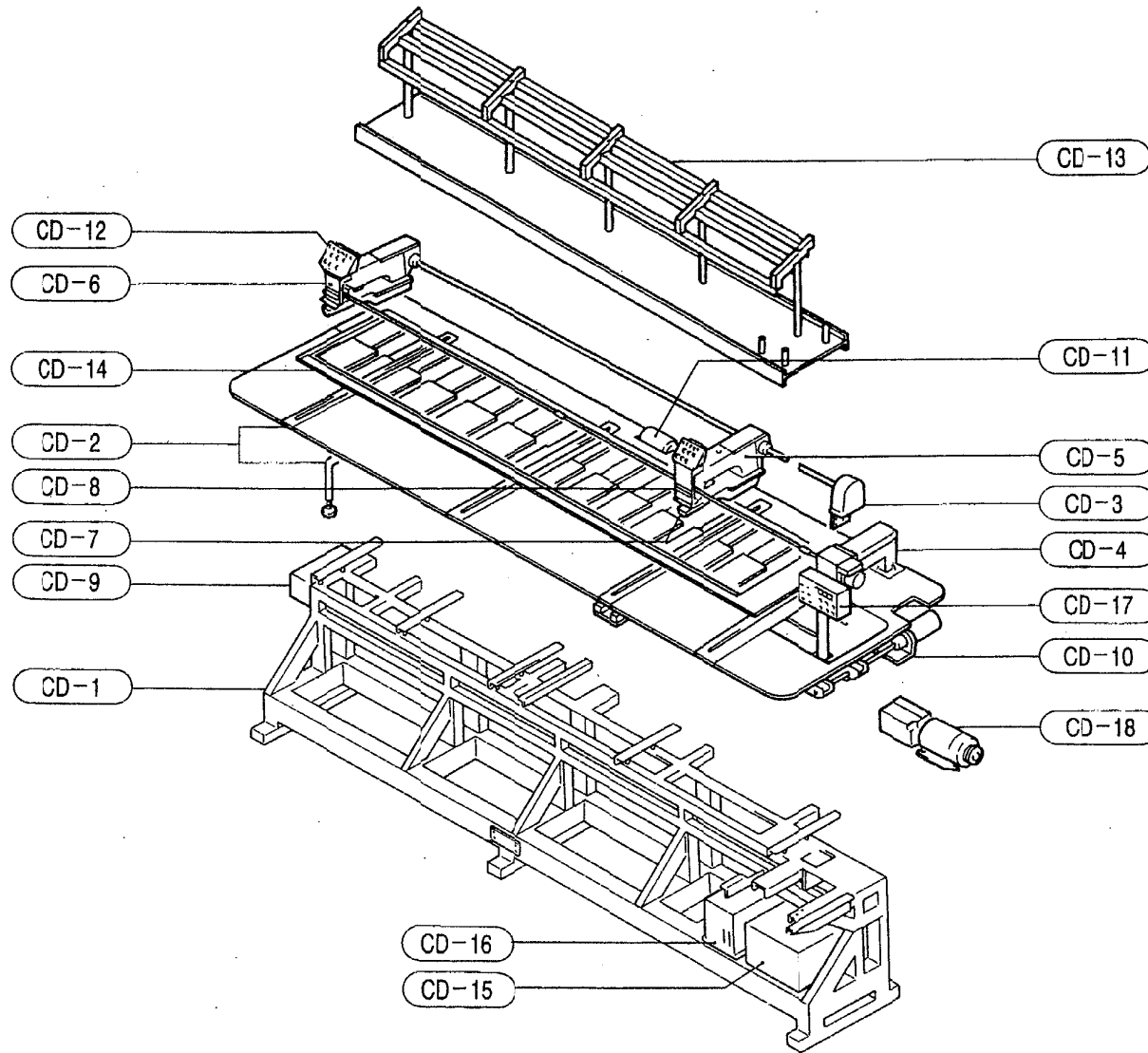
◇ Please specify, in the following manner, your machine model, manufacturing number and embroidery space when you order us with the parts having \* \* \* \* at the end of the part No. :

Ex. : TMFD-612 (450 X 275)S, No. 01234  
                   [Model]        [Emb. Space]    [Mfg. No.]

◇ Please specify the number of needles on your machine's head in your parts order by changing the marks # # # # into one of the 4-digit numbers below :

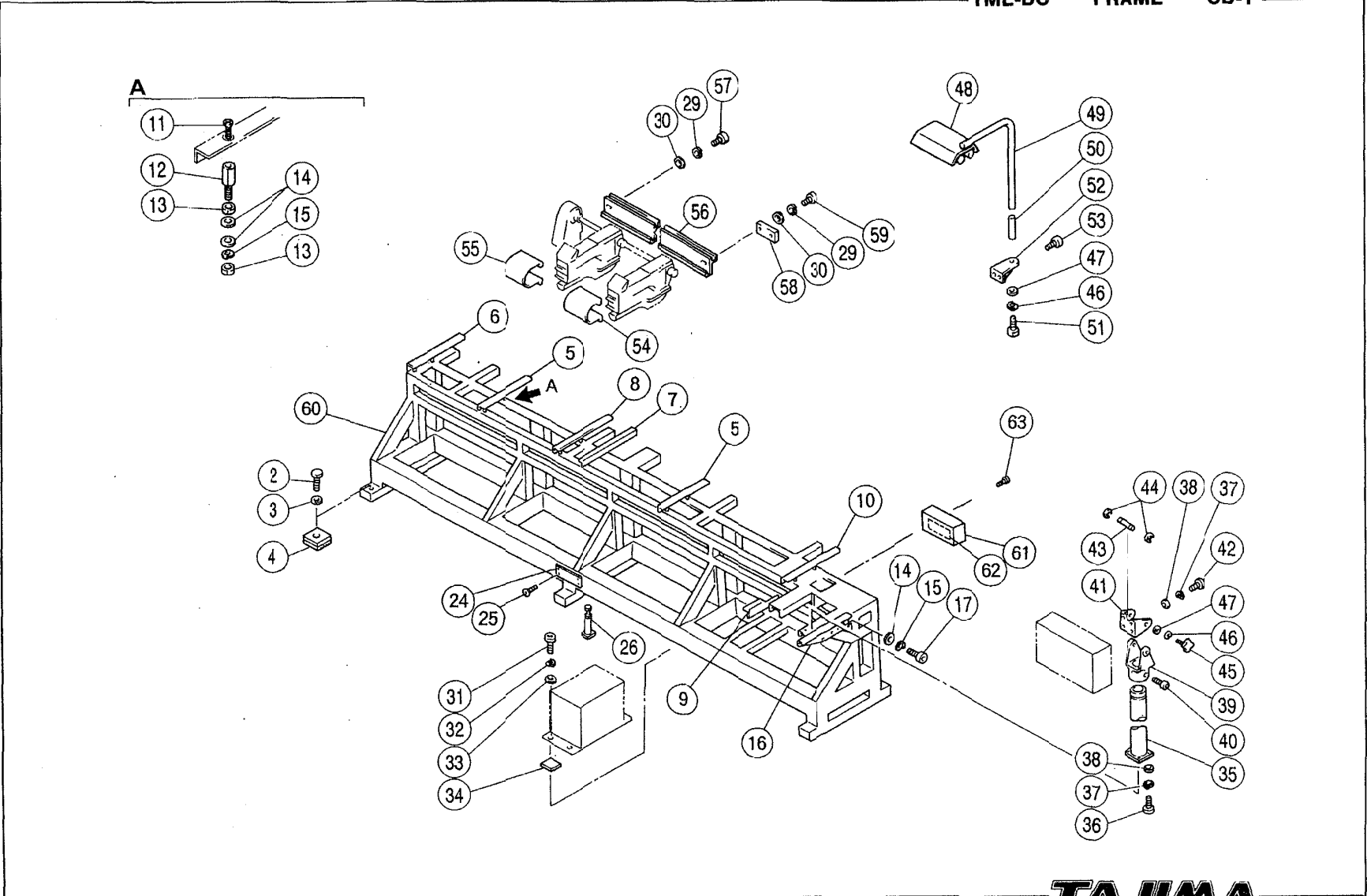
Ex. : The part Number, EF012345 # # # #  
           4-digit Numbers        Machine Type  
           0300 ..... 3-needle machine  
           0400 ..... 4-needle machine  
           0600 ..... 6-needle machine  
           0900 ..... 9-needle machine  
           1200 ..... 12-needle machine

TME-DC GENERAL VIEW



**TAJIMA**

(9606)



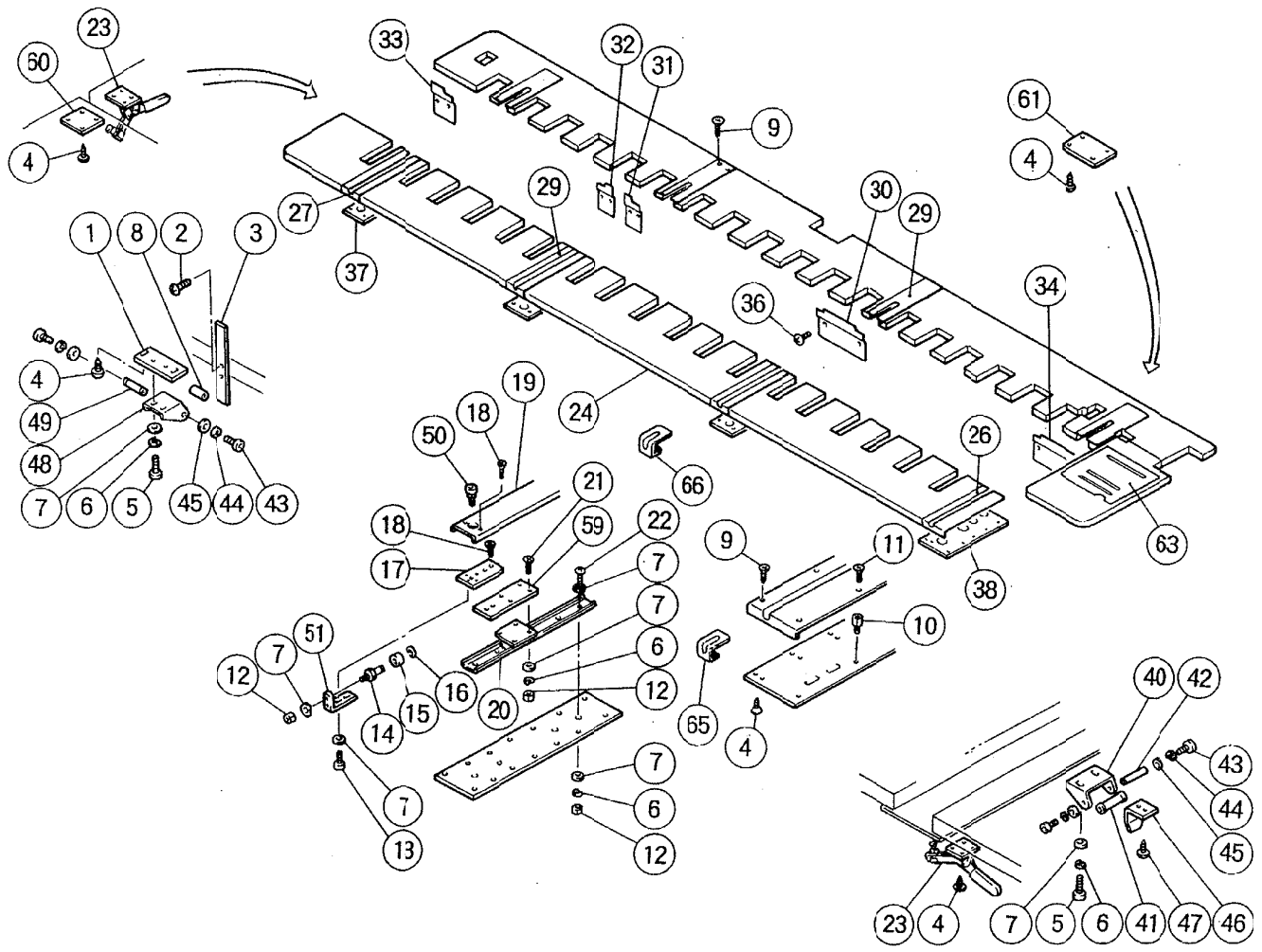
# TME-DC FRAME

CD-1

Ref No.	Description	Part No.	Remark	Ref No.	Description	Part No.	Remark
2	Adjusting Bolt	ME0819000000		35	Operation Panel Stand Pipe	MD0804000000	
3	Hexagon Nut		M20	36	Hexagon Socket Head Cap Screw	SS6205200TN0	M5*20L
4	Vibration-preventive Base	EF0810000000		37	Spring Washer		M5
5	No.1 Table Support	CM0818000000		38	Plain Washer		M5
6	No.2 Table Support	CM0819000000		39	Operation Panel Bracket	EG0103000000	
7	No.10 Table Support	CM0820000000		40	Hexagon Socket Head Cap Screw	SS6205080TN0	M5*8L
8	No.11 Table Support	CM0821000000		41	Operation Panel Attaching Arm	EG0104010000	
9	No.14 Table Support	CM0823010000		42	Pan Head Screw	SS4105120SD0	M5*12L
10	No.16 Table Support	CM0825000000		43	Operation Panel Hinge Pin	EG0105010000	
11	Countersunk Head Screw	SS1106150CC0	M6*15L	44	E-ring	BPE900000000	
12	Table Support Stud Bolt	ME0807000000		45	Knobbed Bolt	NOBBTOM10L20	M10*20L
13	Hexagon Nut		M8	46	Spring Washer		M10
14	Plain Washer		M8	47	Plain Washer		M10
15	Spring Washer		M8	48	Fluorescent Lamp	MD740100****	
16	No.6 Table Support	ME0827010000		49	Fluorescent Lamp Stand Pipe	EF0812000000	
17	Hexagon Socket Head Cap Screw	SS6208300TN0	M8*30L	50	Fluorescent Lamp Pipe Support	EF0813000000	
18	Sub Table	CM082800****		51	High-tensile Hexagon Bolt	SS9310400TN0	M10*40L
19	Countersunk Head Screw	SS1104150SD0	M4*15L	52	Fluorescent Lamp Pipe Base	ME0810000000	
20	Sub Table Joint	CM0829000000		53	Hexagon Socket Head Cap Screw	SS6206200TN0	M6*20L
21	Countersunk Head Wood Screw		3.1P*12L	54	Shaft Cover A	ME0820A0****	
22	Truss Head Screw	SS0104150SD0	M4*15L	55	Shaft Cover B	ME0820B0****	
24	TAJIMA Brand Name Plate	EF0814000000		56	Cover Base	ME082100****	
25	Countersunk Head Screw	SS1104120SD0	M4*12L	57	Hexagon Socket Head Cap Screw	SS6204080TN0	M4*8L
26	Stand Stud Bolt	ME0808000000		58	Cover Base Joint Plate	ME0830000000	
29	Spring Washer		M4	59	Hexagon Socket Head Cap Screw	SS6204100TN0	M4*10L
30	Plain Washer		M4	60	Stand	HC080103****	
31	Hexagon Socket Head Cap Screw	SS6206250TN0	M6*25L	61	TC Joint Bcx	MD7201A00000	
32	Plain Washer		M6	62	TC Joint 4 Card	ED7201000000	
33	Vibration-preventive Rubber B	EF0833B00000		63	Screw with Washer	SSA005120000	M5*12L
34	Vibration-preventive Rubber A	EF0833A00000					

Note: As for parts with marks # or \*, please follow our instructions on Table of Contents, in your parts order.

(9504)



# TME-DC TABLE

CD-2-1

Ref No.	Description	Part No.	Remark	Ref No.	Description	Part No.	Remark
1	Anti-bend Base	FC0711000000		33	Stand Front Cover D	HC0830D0****	
2	Pan Head Screw	SS4104060SD0	M4*6L	34	Stand Front Cover E	HC0830E0****	
3	Table Guide Plate	HC0825000000		36	Truss Head Screw	SS0104080SD0	M4*8L
4	Round Head Wood Screw		4.5P*20L	37	Front Rail Holder A	HC0714000000	
5	Hexagon Socket Head Cap Screw	SS6204060TN0	M4*6L	38	Front Rail Holder B	HC0713000000	
6	Spring Washer		M4	40	Bearing Case	FC0733000000	
7	Plain Washer		M4	41	Roller	FC0734000000	
8	Roller	EF0722000000		42	Roller Pin	FC0735000000	
9	Countersunk Head Wood Screw		3.1P*16L	43	Hexagon Socket Head Cap Screw	SS6203100TN0	M3*10L
10	Table Lid Stud Bolt	FC0806000000		44	Spring Washer		M3
11	Countersunk Head Screw	SS1103060SD0	M3*6L	45	Plain Washer		M3
12	Hexagon Nut		M4	46	Anti-vibration Plate	XC0526000000	
13	Hexagon Socket Head Cap Screw	SS6204080TN0	M4*8L	47	Round Head Wood Screw		5.1P*25L
14	Roller Pin	EG0773000000		48	Bearing Case	EF0720020000	
15	Roller	EG0774000000		49	Roller Pin	EF0723010000	
16	E-ring	BPE300000000		50	Y-axis Feed Plate Roller Pin Set	FC0713S10000	
17	Y-axis Feed Plate, Front	FC0710000000		51	Roller Attaching Bracket	EG0772010000	
18	Countersunk Head Screw	SS1104080SD0	M4*8L	59	Y-axis Feed Plate, Front A	HC0709000000	
19	Y-axis Feed Connecting Plate	HC0712000000		60	Clamp Rivet Plate	CM0816000000	
20	Slide Rail	BP330LMM1800		61	Table Joint Plate	TC0217000000	
21	Countersunk Head Screw	SS1104120SD0	M4*12L	63	No.2 Table Lid	CD0802B00000	
22	Pan Head Screw	SS4104100SD0	M4*10L	65	Bearing Stopper	FC084100003T	Right Side
23	Toggle Clamp	BPGY10000000		66	Bearing Stopper	FC084100006T	
24	Table	HC080203****					
26	No.5 Table Lid	HC0821000000					
27	No.3 Table Lid	HC0820000000					
29	No.1 Table Lid	HC0822000000					
30	Stand Front Cover A	HC0830A0****					
31	Stand Front Cover B	HC0830B0****					
32	Stand Front Cover C	HC0830C0****					

Note: As for parts with marks # or \*, please follow our instructions on Table of Contents, in your parts order.

(9504)





# TME-DC AUTO SUB TABLE

CD-2-2

Ref No.	Description	Part No.	Remark	Ref No.	Description	Part No.	Remark
2	Round Head Wood Screw		5.1P *25L	32	Pipe Clamp	XC 0 5 0 8 0 0 0 0 0 0	
3	Front Tabe Holder	FC 0 5 2 3 0 0 0 0 0 0		34	Switch Dog Base	HC 0 8 3 1 0 0 0 0 0 0	
4	Countersunk Head Screw	SS 1 1 0 8 7 0 0 TN 0	M8 *70L	35	Switch Dog	XC 0 5 2 3 0 0 0 0 0 0	
5	Hexagon Nut		M8	36	Auto Sub Table Switch Base	HC 0 8 2 7 0 0 0 0 0 0	
6	Spring Washer		M8	37	Limit Switch Base A	EG 0 7 2 7 A 1 0 0 0 0	
7	Plain Washer		M8	38	Adjusting Knob	EG 0 7 3 1 0 0 0 0 0 0	
8	Right Side Table Holder	FC 0 5 2 6 0 0 0 0 0 0		39	Fixture Base	EG 0 7 3 0 0 0 0 0 0 0	
9	Hexagon Socket Head Cap Screw	SS 6 2 0 4 1 8 0 TN 0	M4 *18L	40	Limit Switch	PB 0 0 1 0 0 0 SP 0 0	
10	Plain Washer		M4	41	Actuator	MS 6 6 0 2 0 0 0 0 0 0	
11	Spring Washer		M4	42	Pan Head Screw	SS 4 1 0 3 1 4 0 SD 0	M3 *14L
12	Hexagon Nut		M4	43	Switch Cover	HC 0 8 2 6 0 0 0 0 0 0	
13	Cylinder Holder A	HC 0 8 2 3 0 0 0 0 0 0		44	Hexagon Socket Head Cap Screw	SS 6 2 0 4 0 8 0 TN 0	M4 *8L
14	Hexagon Socket Head Cap Screw	SS 6 2 0 6 1 8 0 TN 0	M6 *18L	46	Pump Base B	XC 0 5 1 0 0 0 0 0 0 0	
15	Cylinder Holder B	HC 0 8 2 4 0 0 0 0 0 0		47	Pump	BP 1 3 1 2 0 1 0 0 0 0	4-cylinders
16	Cylinder Adjusting Bolt	XC 0 5 0 4 0 0 0 0 0 0		47	Pump	BP 1 3 1 2 0 3 0 0 0 0	6-cylinders
17	Hexagon Socket Head Cap Screw	SS 6 2 0 6 1 5 0 TN 0	M6 *15L	48	Hexagon Socket Head Cap Screw	SS 6 2 0 5 5 5 0 TN 0	M5 *55L
18	Spring Washer		M6	50	Joint	XC 0 5 1 1 0 1 0 0 0 0	
19	Plain Washer		M6	51	Hollow Set Screw	SS 8 2 0 5 1 2 0 TN 0	M5 *12L
20	Hexagon Nut		M10	52	Hollow Set Screw	SS 8 2 0 5 1 0 0 TN 0	M5 *10L
21	Bolt Cover	XC 0 5 2 5 0 0 0 0 0 0		53	Auto Sub Table Motor	PB 0 0 0 4 0 0 BC 0 0	
22	Hydraulic Cylinder	BP 1 3 1 2 0 2 0 0 0 0		54	Gear Head	BP 5 GU 1 2 5 KB 0 0	
23	Hexagon Socket Head Cap Screw	SS 6 2 0 5 1 5 0 TN 0	M5 *15L	55	Hexagon Socket Head Cap Screw	SS 6 2 0 6 8 0 0 TN 1	M6 *80L
24	Spring Washer		M5	56	Hexagon Socket Head Cap Screw	SS 6 2 0 4 1 5 0 TN 0	M4 *15L
25	Plain Washer		M5	57	Hexagon Socket Head Cap Screw	SS 6 2 0 3 0 6 0 TN 0	M3 *6L
26	HD Pipe	BPMQ 4 6 2 5 1 0 0 0	4-cylinders	58	Plain Washer		M3
27	HD Pipe	BPMQ 6 6 2 5 1 0 0 0	6-cylinders	59	Pump Base A	XC 0 5 0 9 0 2 0 0 0 0	
28	Connecting Screw	BP 1 3 1 5 0 8 0 0 0 0		60	Joint Cover	XC 0 5 1 2 0 2 0 0 0 0	
29	Clamping Ring	BP 1 3 1 5 1 0 0 0 0 0		61	Table Attaching Base	HC 0 8 5 0 0 1 * * * *	
30	Hexagon Socket Head Cap Screw	SS 6 2 0 5 2 0 0 TN 0	M5 *20L	62	Hexagon Socket Head Cap Screw	SS 6 2 0 5 1 2 0 TN 0	M5 *12L
31	Cylinder Joint	HC 0 8 2 8 0 0 0 0 0 0		63	Cylinder Support A	HC 0 8 5 1 A 0 0 0 0 0	

Note: As for parts with marks # or \*, please follow our instructions on Table of Contents, in your parts order

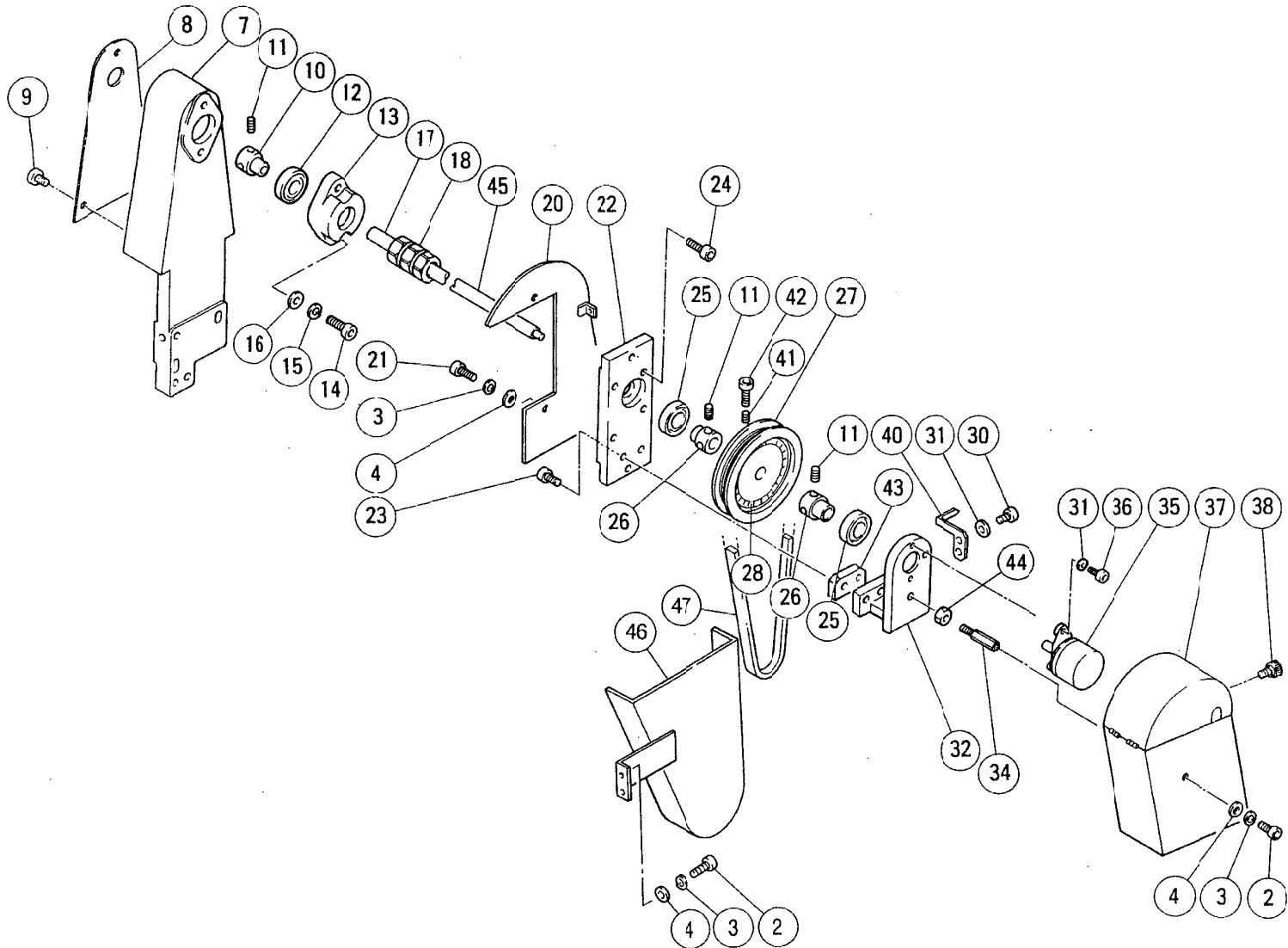
(9504)



TME-DC

MAIN SHAFT DRIVE SYSTEM

CD-3



**TAJIMA**

(9504)

# TME-DC MAIN SHAFT DRIVE SYSTEM

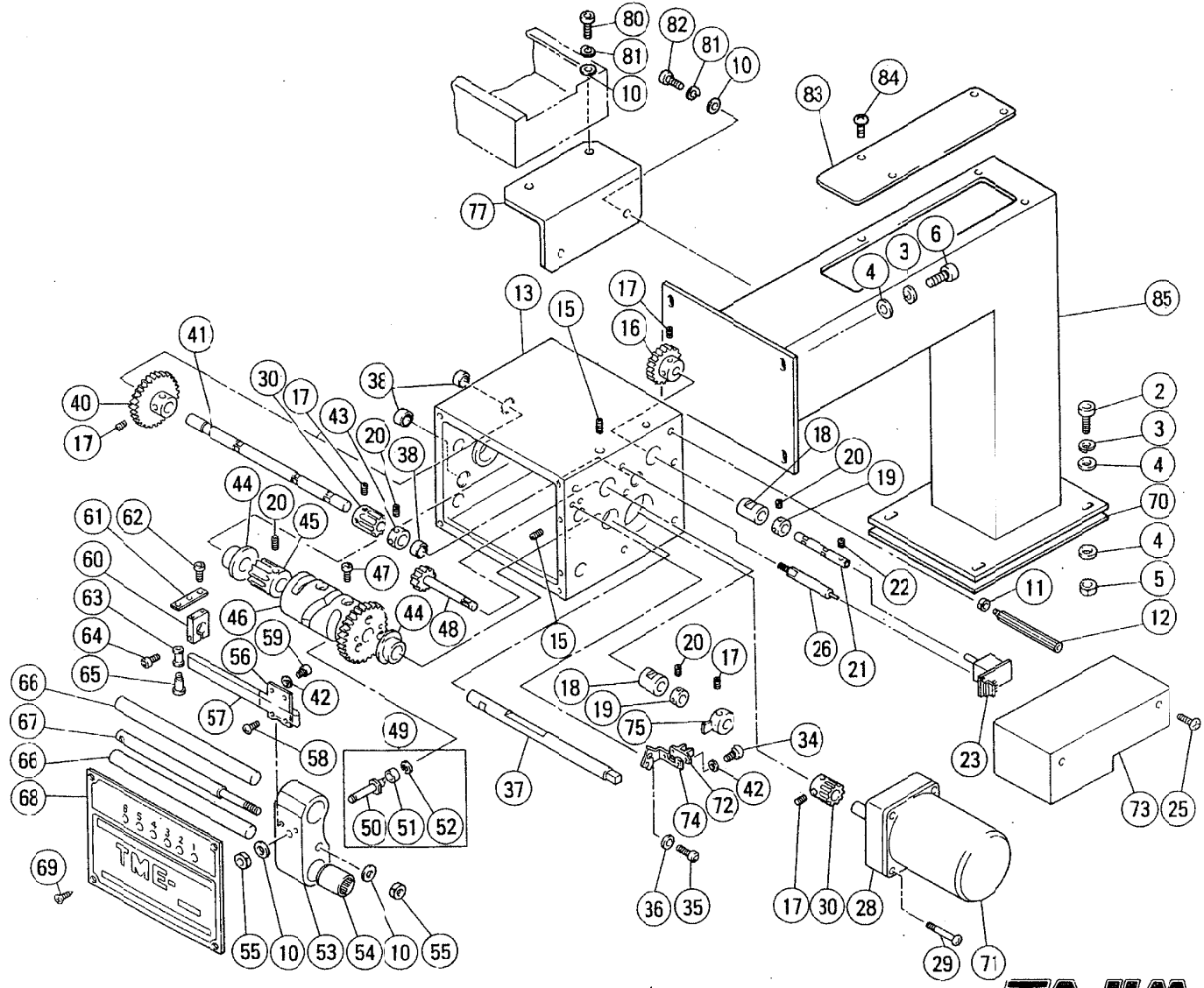
CD-3

Ref No.	Description	Part No.	Remark	Ref No.	Description	Part No.	Remark
2	Hexagon Socket Head Cap Screw	SS 6 2 0 5 1 0 0 T N 0	M5 * 10L	37	Pulley Cover	CM 0 2 0 8 0 1 0 0 0 0	
3	Spring Washer		M5	38	Cover Fixing Knurled Screw	EF 0 3 0 6 0 0 0 0 0 0	
4	Plain Washer		M5	40	Angle Pointer B	ME 0 2 1 0 B 1 0 0 0 0	
7	Bearing Case Base	CM 0 2 0 6 0 0 0 0 0 0		41	Hollow Set Screw	SS 8 2 0 8 0 8 0 T N 0	M8 * 8L
8	Bearing Case Base Cover	ME 0 2 1 3 0 0 0 0 0 0		42	Hexagon Socket Head Cap Screw	SS 6 2 0 8 1 5 0 T N 0	M8 * 15L
9	Truss Head Screw	SM 0 1 0 9 0 6 S A 0 0	9/64 * 40 * 6L	43	Bearing Case Arm Spacer	CM 0 2 1 0 0 0 0 0 0 0	
10	Bearing Case Collar	ME 0 2 1 4 0 0 0 0 0 0		44	Hexagon Nut		M6
11	Hollow Set Screw	SS 8 2 0 6 0 8 0 T N 0	M6 * 8L	45	Main Shaft A	ME 0 8 1 5 A 1 * * * *	
12	Bearing	BP 1 2 0 4 0 0 0 0 0 0		46	Motor Pulley Cover	CD 0 2 0 1 B 1 0 0 0 0	
13	Bearing Case B	ME 0 2 1 2 0 0 0 0 0 0		47	Motor Belt	BP Y J 1 0 4 0 0 0 0 0	
14	Hexagon Socket Head Cap Screw	SS 6 2 0 6 2 5 0 T N 0	M6 * 25L				
15	Spring Washer		M6				
16	Plain Washer		M6				
17	Main Shaft B	ME 0 8 1 5 B 0 * * * *					
18	N-Coupling	BPN 1 5 0 1 5 0 0 0 0					
20	Pulley Cover Base	CM 0 2 0 2 0 0 0 0 0 0					
21	Hexagon Socket Head Cap Screw	SS 6 2 0 5 0 8 0 T N 0	M5 * 8L				
22	Bearing Case Plate	ME 0 2 0 1 0 0 0 0 0 0					
23	Hexagon Socket Head Cap Screw	SS 6 2 0 5 2 0 0 T N 0	M5 * 20L				
24	Hexagon Socket Head Cap Screw	SS 6 2 0 6 2 0 0 T N 0	M6 * 20L				
25	Bearing	BP 6 9 0 4 0 0 0 0 0 0					
26	Bearing Bushing	ME 0 2 0 3 0 0 0 0 0 0					
27	Driven Pulley	CM 0 2 0 7 0 0 0 0 0 0					
28	Angle Indicator Disk	ME 0 2 0 9 0 0 0 0 0 0					
30	Hexagon Socket Head Cap Screw	SS 6 2 0 3 0 8 0 T N 0	M3 * 8L				
31	Plain Washer		M3				
32	Bearing Case Arm	CM 0 2 0 1 0 0 0 0 0 0					
34	Pulley Cover Stud	ME 0 2 0 5 0 0 0 0 0 0					
35	Rotary Encoder	EF 6 6 0 0 0 0 0 0 0 0					
36	Hexagon Socket Head Cap Screw	SS 6 2 0 3 1 0 0 T N 0	M3 * 10L				

Note: As for parts with marks # or \*, please follow our instructions on Table of Contents, in your parts order.

(9504)

TME-DC COLOR CHANGE SYSTEM CD-4



# TME-DC COLOR CHANGE SYSTEM

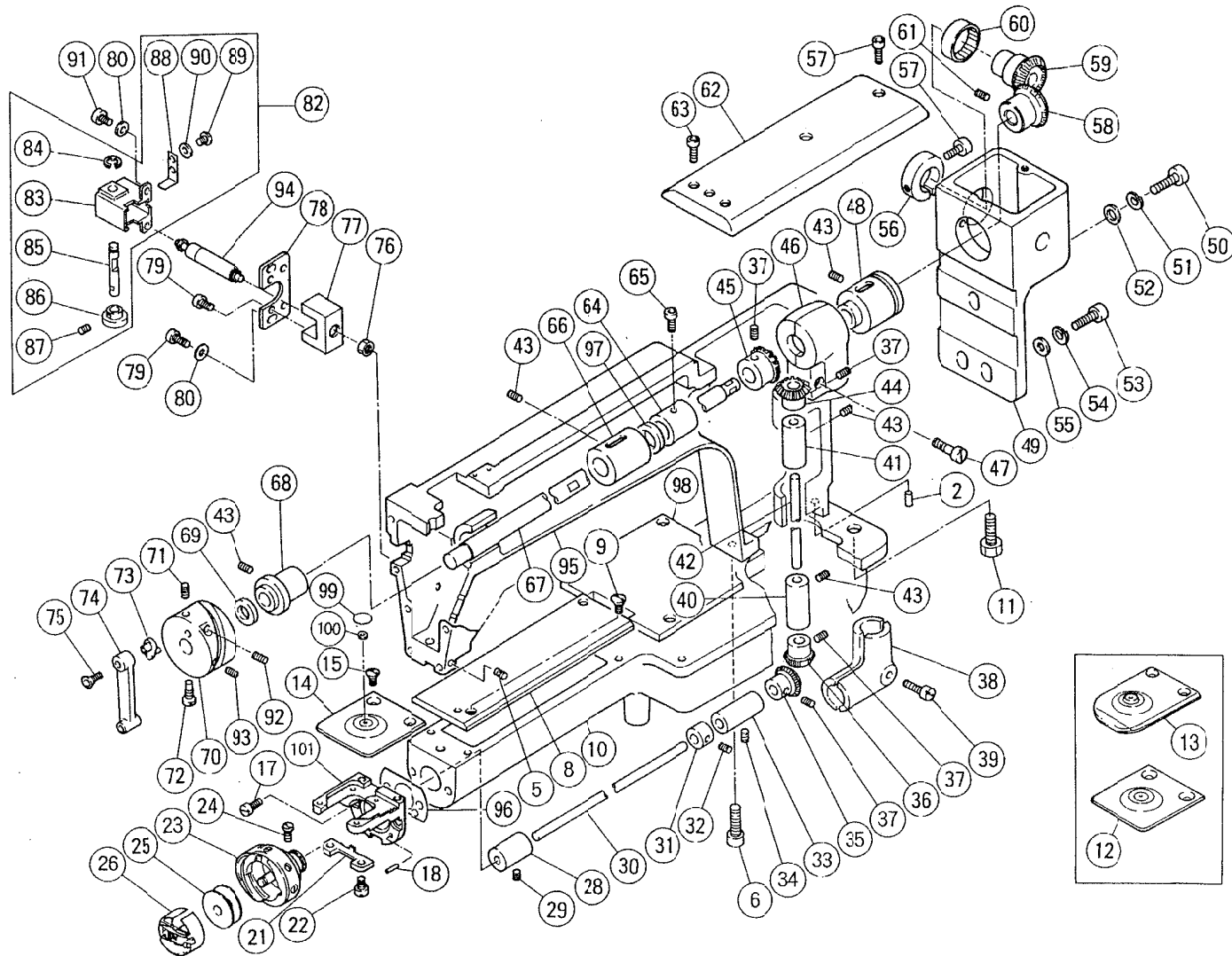
CD-4

Ref No.	Description	Part No.	Remark	Ref No.	Description	Part No.	Remark
2	Hexagon Socket Head Cap Screw	SS6208300TN0	M8*30L	42	Plain Washer		M3
3	Spring Washer		M8	43	10mm Dia. Collar	EF0924000000	
4	Plain Washer		M8	44	Cam Shaft Bushing	EF0407000000	
5	Hexagon Nut		M8	45	Tension Release Drive Gear	MS0410000000	
6	Hexagon Socket Head Cap Screw	SS6208250TN0	M8*25L	46	Color Change Cam Set	EF040500####	
10	Plain Washer		M6	47	Hexagon Socket Head Cap Screw	SS6206080TN0	M6*8L
11	Hexagon Nut		M5	48	Half-turn Gear	EF0414000000	
12	Change Cover Stud	MS0414000000		49	Cam Roller Set	EF0404S00000	
13	Color Change Box	MS040100####		50	Cam Pin	EF0403000000	
15	Hollow Set Screw	SS8204060TN0	M4*6L	51	Cam Roller	EF0404000000	
16	Rotary Switch Gear	MS0408000000		52	E-ring	BPE300000000	
17	Hollow Set Screw	SS8205060TN0	M5*6L	53	Slide Boss	EF0402010000	
18	Half-turn Gear Bushing	EF0415000000		54	Slide Bearing	BPLME1222322	
19	8mm Dia. Collar	EF0418000000		55	Hexagon Nut		M6
20	Hollow Set Screw	SS8204050TN0	M4*5L	56	Belt Joint Plate	EF0429000000	
21	Rotary Switch Pin	MS0407000000		57	Needle Position Indicator Belt	EF042610####	
22	Hollow Set Screw	SS8203050TN0	M3*5L	58	Pan Head Screw	SS4104060SD0	M4*6L
23	Rotary Switch	MS7102010000		59	Hexagon Socket Head Cap Screw	SS6203040TN0	M3*4L
25	Truss Head Screw	SM010905SA00	9/64*40*5L	60	Base Split Collar	EF0430000000	
26	Rotary Switch Stay	MS0409000000		61	Roller Base	EF0427000000	
28	Gear Head	BP3GK180K000		62	Hexagon Socket Head Cap Screw	SS6203060TN0	M3*6L
29	Pan Head Screw	SS4105500SD1	M5*50L	63	Roller	EF0425000000	
30	Motor Gear	EF0410000000		64	Hexagon Socket Head Cap Screw	SS6203150TN0	M3*15L
34	Round Head Screw	SS3103080SE0	M3*8L	65	Roller Pin	EF0428000000	
35	Hexagon Socket Head Cap Screw	SS6204080TN0	M4*8L	66	Guide Shaft	EF040800####	
36	Plain Washer		M4	67	Slide Shaft	MS040300####	
37	Cam Shaft	MS040200####		68	Model Name Plate	CD040100****	
38	Dry Bearing	BPMB1010DU00		69	Round Countersunk Head Screw	SM200906SA00	9/64*40*6L
40	Tension Release Driven Gear	MS0411000000		70	Bracket Spacer	ME083300####	
41	Tension Release Drive Shaft	MS040400####		71	Color Change Motor	EG7101000000	

Note: As for parts with marks # or \*, please follow our instructions on Table of Contents, in your parts order.

(9504)







# TME-DC ARM I

CD-5-1

Ref No.	Description	Part No.	Remark	Ref No.	Description	Part No.	Remark
2	Taper Pin		6P*25L	39	Flat Fillister Head Screw	SM601824CC00	9/32*28*24L
5	Follow Set Screw	SS8205100TN0	M5*10L	40	Vertical Shaft Bushing, Lower	ME0515000000	
6	Hexagon Socket Head Cap Screw	SS6212300TN0	M12*30L	41	Vertical Shaft Bushing, Upper	ME0516000000	
8	Bed Cover C	CM0503000000		42	Vertical Shaft	ME0518000000	
9	Round Head Screw	SM301107SA00	11/64*40*7L	43	Set Screw	SM801517TN00	15/64*28*17L
10	Arm Bed	CM0501000000		44	Vertical Shaft Bevel Gear, Upper	ME0517000000	
11	Hexagon Bolt	SS9310300CZ0	M10*30L	45	Arm Shaft Bevel Gear A	ME0526000000	
12	Needle Plate (Tubular Goods)	CM0504000000		46	Gear Case B	ME0559000000	
13	Needle Plate (Cap Embroidery)	CM0505030000		47	Flat Fillister Head Screw	SM600912CC00	9/64*40*12L
14	Needle Plate (Standard Embroidery)	CM0506000000		48	Arm Shaft Bushing, Rear	ME0521000000	
15	Round Countersunk Head Screw	EG0228000000	11/64*40*8L	49	Main Shaft Gear Box	ME0549000000	
17	Flat Fillister Head Screw	SM601115CC00	11/64*40*15L	50	Hexagon Socket Head CapScrew	SS6208300TN0	M8*30L
18	Taper Pin		3P*12L	51	Spring Washer		M8
21	Rotary Hook Support	CM050800****		52	Plain Washer		M8
22	Rotary Hook Support Set Screw	SM600906CC00	9/64*40*6L	53	Hexagon Socket Head CapScrew	SS6206300TN0	M6*30L
23	Rotary Hook	ME050503****		54	Spring Washer		M6
24	Rotary Hook Set Screw		11/64*40*4.3L	55	Plain Washer		M6
25	Bobbin	ME050402****		56	Gear Stopper Split Collar	ME0552000000	
26	Bobbin Case	ME050300****		57	Hexagon Socket Head CapScrew	SS6205150TN0	M5*15L
28	Oscillating Shaft Bushing, Front	CM0512000000		58	Arm Shaft Bevel Gear B	ME0550000000	
29	Set Screw	SM801505TN00	15/64*28*5L	59	Arm Shaft Drive Bevel Gear	ME0551000000	
30	Oscillating Shaft	ME0509000000		60	Needle Bearing	BPHK25120000	
31	Oscillating Shaft Collar	ME0510000000		61	Hollow Set Screw	SS8206060TN0	M6*6L
32	Hollow Set Screw	SM821605TN00	1/4*40*5L	62	Arm Top Cover	ME0553000000	
33	Oscillating Shaft Bushing, Rear	ME0511000000		63	Hexagon Socket Head CapScrew	SS6205200TN0	M5*20L
34	Hollow Set Screw	SM821510TN00	15/64*28*10L	64	Arm Shaft Collar	ME0519000000	
35	Oscillating Shaft Bevel Gear	ME0512000000		65	Hexagon Socket Head CapScrew	SS6206090TN0	M6*9L
36	Vertical Shaft Bevel Gear, Lower	ME0514000000		66	Arm Shaft Bushing, Middle	ME0522000000	
37	Hollow Set Screw	SM821606TN00	1/4*40*6L	67	Arm Shaft	ME0520000000	
38	Gear Case A	ME0513000000		68	Arm Shaft Bushing, Front	ME0523000000	

Note: As for parts with marks # or \*, please follow our instructions on Table of Contents, in your parts order.

(9604)

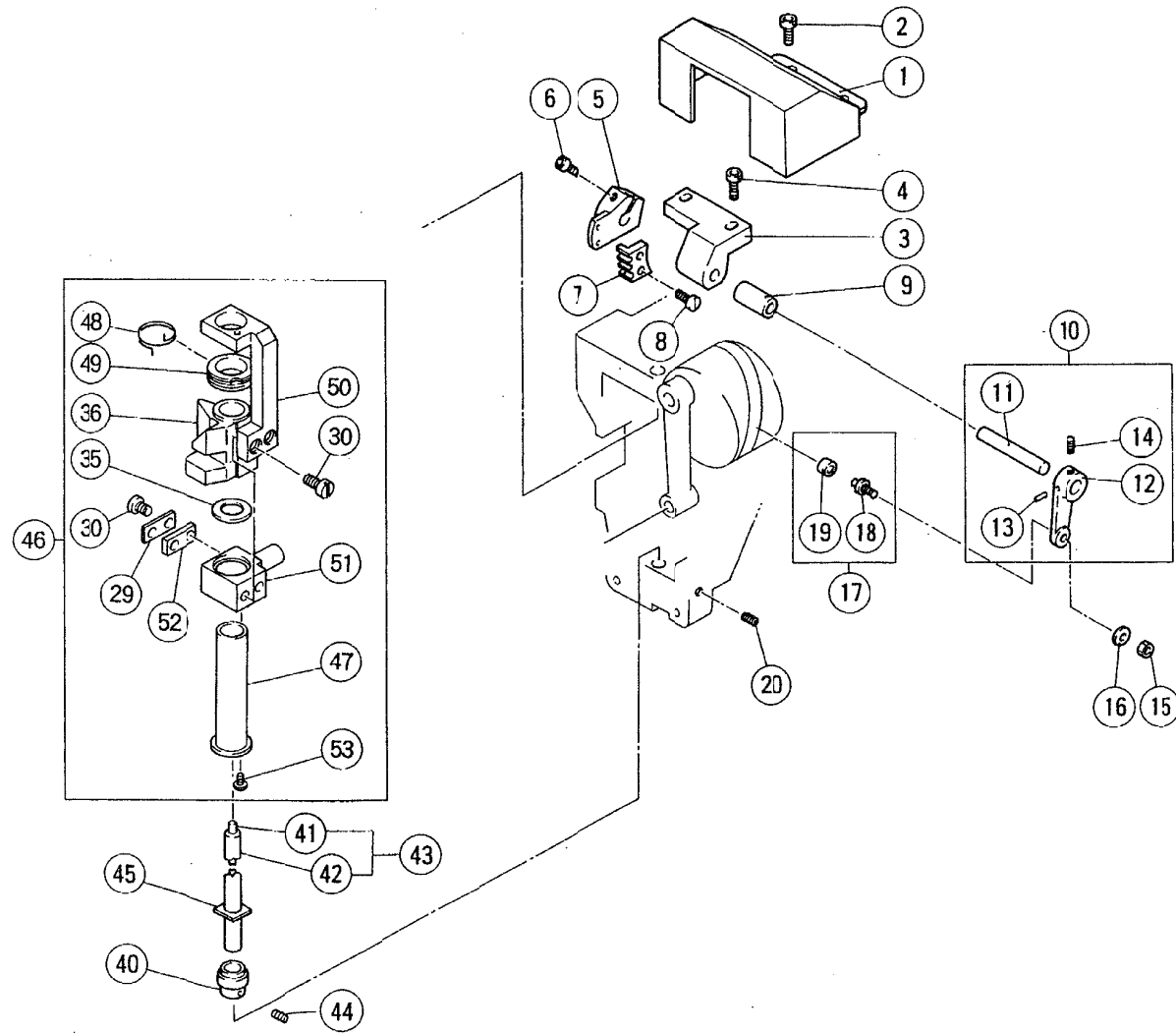
# TME-DC ARM I

CD-5-1

Ref No.	Description	Part No.	Remark	Ref No.	Description	Part No.	Remark
69	Quenched Spacer	ME 0 5 2 5 0 0 0 0 0 0		100	Needle Plate Hole Collar	EF 0 2 0 2 2 0 0 0 0 0	
70	Take-up Lever Drive Cam	ME 0 5 2 4 0 0 0 0 0 0		101	Needle Plate Bracket	CM 0 5 0 7 0 1 0 0 0 0	
71	Set Screw	SM 8 0 1 6 0 5 TN 0 0	1/4 * 40 * 5L				
72	Cam Set Screw	ME 0 5 6 0 0 0 0 0 0 0					
73	90-degrees Crank	ME 0 5 3 8 0 0 0 0 0 0					
74	Connecting Rod	ME 0 5 2 8 0 1 0 0 0 0					
75	Ccountersunk Head Screw, Counterclockwise		3/64 * 40 * 12L				
76	Hexagon Nut	EG 0 5 4 8 0 0 0 0 0 0	M9 * P0.75				
77	Solenoid Bracket	ME 0 5 4 2 0 0 0 0 0 0					
78	Bracket Base	ME 0 5 3 9 0 0 0 0 0 0					
79	Hexagon Socket Head Cap Screw	SS 6 2 0 4 0 8 0 TN 0	M4 * 8L				
80	Plain Washer		M4				
82	Solenoid Cover Set	ME 0 5 4 3 S 1 0 0 0 0					
83	Solenoid Cover	ME 0 5 4 3 0 1 0 0 0 0					
84	E-ring	BPE 5 0 0 0 0 0 0 0 0					
85	Clutch Pin	EF 0 5 4 0 0 0 0 0 0 0					
86	Clutch Knurled Screw	EF 0 5 3 9 0 0 0 0 0 0					
87	Hollow Set Screw	SS 8 2 0 3 0 3 0 TN 0	M3 * 3L				
88	Stopper Plate Spring	ME 0 5 4 4 0 0 0 0 0 0					
89	Fan Head Screw	SS 4 1 0 3 0 4 0 SD 0	M3 * 4L				
90	Plain Washer		M3				
91	Hexagon Socket Head Cap Screw	SS 6 2 0 4 0 6 0 TN 0	M4 * 6L				
92	Set Screw	SM 8 0 1 6 0 8 TN 0 0	1/4 * 40 * 8L				
93	Set Screw	SM 8 0 1 5 1 0 TN 0 0	15/64 * 28 * 10L				
94	Jump Solenoid	EG 6 8 0 1 0 2 0 0 0 0					
95	Arm	ME 0 5 0 1 0 1 0 0 0 0					
96	Needle Plate Bracket Spacer	CM 0 5 1 4 0 0 0 0 0 0					
97	Arm Shaft Spacer	ME 0 5 6 3 0 0 0 0 0 0					
98	Bed Cover A	CM 0 5 1 5 0 0 0 0 0 0					
99	Needle Plate Hole Seal	EF 0 2 0 2 3 0 0 0 0 0					

Note: As for parts with marks # or \*, please follow our instructions on Table of Contents, in your parts order.

(9604)



# TME-DC ARM II

CD-5-2

Ref No.	Description	Part No.	Remark	Ref No.	Description	Part No.	Remark
1	Take-up Lever Drive Gear Cover	ME 0 5 5 8 0 0 0 0 0 0		46	Needle Bar Reciprocator (Set)	UN 2 5 0 2 4 0 0 0 0 0	Split ME Type
2	Hexagon Socket Head Cap Screw	SS 6 2 0 5 0 8 0 TN 0	M5 * 8L	47	Needle Bar Drive Shaft Bushing	ME 0 5 6 6 0 0 0 0 0 0	
3	Take-up Lever Drive Shaft Base	ME 0 5 3 2 0 0 0 0 0 0		48	Jump Spring	FX 0 5 1 6 0 0 0 0 0 0	
4	Hexagon Socket Head Cap Screw	SS 6 2 0 5 1 5 0 TN 0	M5 * 15L	49	Spring Cradle	FX 0 5 6 4 0 0 0 0 0 0	
5	Take-up Lever Gear Base	ME 0 5 3 0 0 0 0 0 0 0		50	Connecting Arm	ME 0 5 6 5 0 0 0 0 0 0	
6	Hexagon Socket Head Cap Screw	SS 6 2 0 4 1 2 0 TN 0	M4 * 12L	51	Reciprocator Connecting Stud	ME 0 5 6 4 0 0 0 0 0 0	
7	Take-up Lever Drive Gear	ME 0 5 3 7 0 0 0 0 0 0		52	Stopper	EF 0 5 6 1 0 0 0 0 0 0	
8	Flat Fillister Head Screw	SS 6 0 0 3 0 8 0 SD 0	M3 * 8L	53	Truss Head Screw	SS 0 1 7 5 0 3 0 SD 0	M2.5 * 3L
9	Bearing Brass	ME 0 5 3 3 0 0 0 0 0 0					
10	Take-up Lever Driver Set	ME 0 5 3 1 S 0 0 0 0 0					
11	Take-up Lever Arm Pin	ME 0 5 3 5 0 0 0 0 0 0					
12	Take-up Lever Drive Lever	ME 0 5 3 1 0 0 0 0 0 0					
13	Taper Pin		3P * 15L				
14	Hollow Set Screw	SS 8 2 0 4 0 4 0 TN 0	M4 * 4L				
15	Hexagon Nut	ME 0 5 6 9 0 0 0 0 0 0	M5				
16	Plain Washer		M4				
17	Cam Roller Set	ME 0 5 3 4 S 0 0 0 0 0					
18	Roller Pin	ME 0 5 3 6 0 0 0 0 0 0					
19	Cam Roller	ME 0 5 3 4 0 0 0 0 0 0					
20	Hollow Set Screw	SS 8 2 0 5 0 8 0 TN 0	M5 * 8L				
29	Stopper Bracket	EF 0 5 3 4 0 0 0 0 0 0					
30	Flat Fillister Head Screw	SM 6 0 0 8 0 6 SC 0 0	1/8 * 44 * 6L				
35	Needle Bar Reciprocator Spacer	EF 0 5 5 4 0 0 0 0 0 0					
36	Needle Bar Reciprocator	EF 0 5 3 2 0 1 0 0 0 0					
40	Needle Bar Drive Shaft Collar	FX 0 5 2 3 0 0 0 0 0 0					
41	Needle Bar Drive Shaft Wick	EG 0 5 3 6 0 0 0 0 0 0					
42	Needle Bar Drive Shaft	EG 0 5 3 5 0 1 0 0 0 0					
43	Needle Bar Drive Shaft Set	EG 0 5 3 5 S 1 0 0 0 0					
44	Hollow Set Screw	SS 8 2 0 3 0 3 0 TN 0	M3 * 3L				
45	Needle Bar Drive Shaft Felt	EF 0 5 5 0 0 0 0 0 0 0					

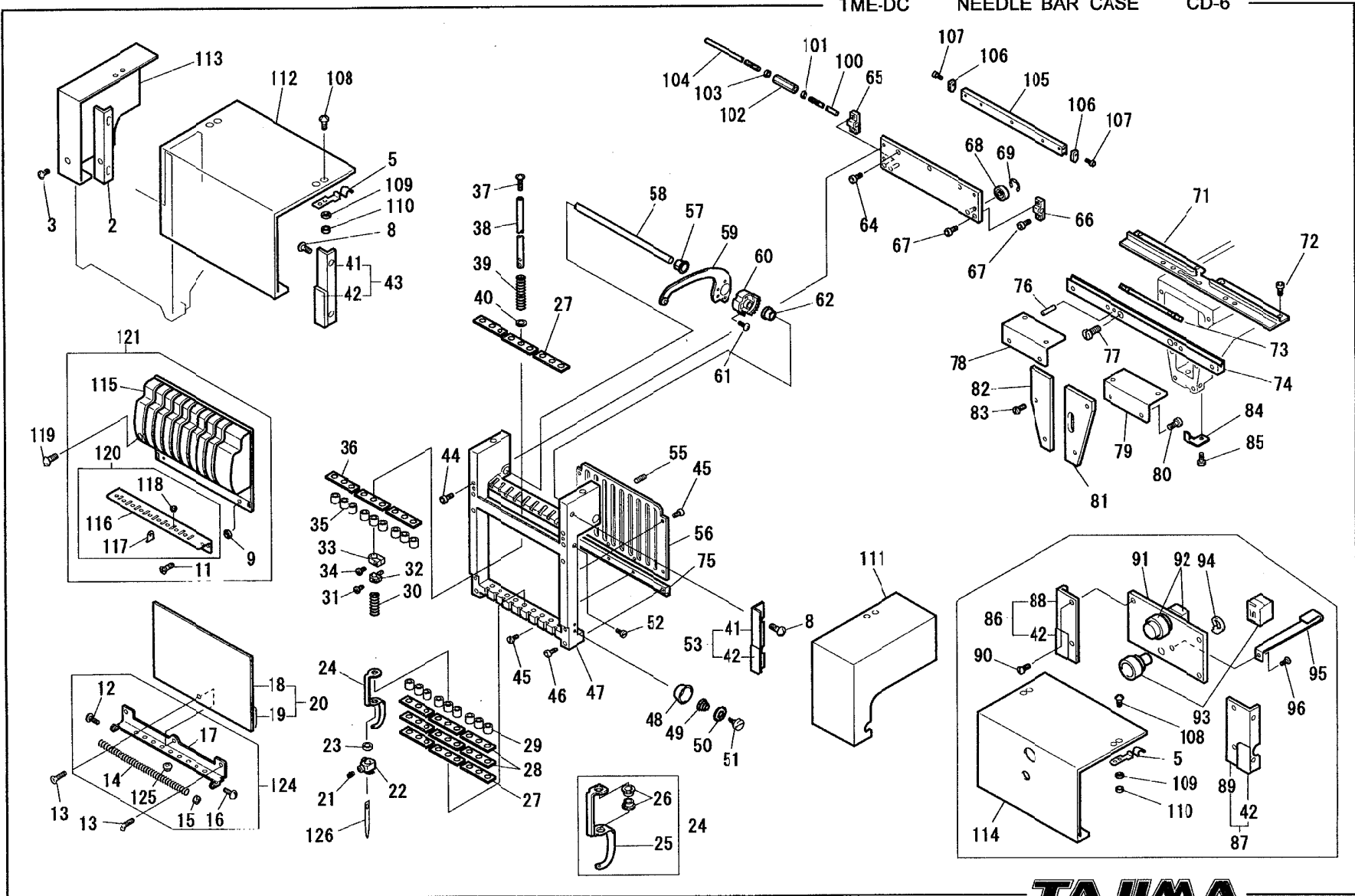
Note: As for parts with marks # or \*, please follow our instructions on Table of Contents, in your parts order.

(9504)

TME-DC

NEEDLE BAR CASE

CD-6



**TAJIMA**

(9606)

# TME-DC NEEDLE BAR CASE

CD-6

Ref. No.	Description	Part No.	Remark	Ref. No.	Description	Part No.	Remark
2	Cover Attaching Bracket C	FX0628C20000		35	Cushion Ring B	EF0643010000	
3	Truss Head Screw	SM010904SD00	9/64*40*4L	36	Cushion Rubber B	EF062700####	
5	Cover Plate Spring	FX0805010000		37	Holding Spring Set Screw	EF0620000000	
8	Truss Head Screw	SM010906SD00	9/64*40*6L	38	Needle Bar	FX0632000000	
9	Plain Washer		M4	39	Needle Bar Holding Spring	ME0601000000	
11	Round Countersunk Head Screw	SM200904SB00	9/64*40*4L	40	Spring Shoe Washer	EF0619000000	
12	Pan Head Screw	SS4104080SD0	M4*8L	41	Cover Attaching Bracket	FX0628030000	
13	Round Countersunk Head Screw	SM200906SD00	9/64*40*6L	42	Plate Magnet	FX0628200000	
14	Thread Hook Spring	EF063100####		43	Cover Attaching Bracket L	FX0628L30000	
15	Hexagon Nut	EF0646000000	M4 Type 3	44	Hexagon Socket Head Cap Screw	SS6204180TN0	M4*18L
16	Pan Head Screw	SS4104150SD0	M4*15L	45	Flat Fillister Head Screw	SM600906SC00	9/64*40*6L
17	Lower Thread Guide	FX062601####		46	Hexagon Socket Head Cap Screw	SS6204250TN0	M4*25L
18	Face Plate	FX062410####		47	Needle Bar Case	FX060100####	
19	Magnet Rubber	FX062421####		48	Thread Suspender Disk	EF0637000000	
20	Face Plate Set	FX062400####		49	Thread Suspender Spring	EF0639000000	
21	Needle Set Screw	EF0615000000		50	Thread Suspender Spring Presser	EF0638000000	
22	Needle Clamp	EF0616000000		51	Thread Suspender Attaching Screw	EF0636000000	
23	Cushion Ring A	EF0642020000		52	Round Fillister Head Screw	SM700904SB00	9/64*40*4L
24	Presser Foot Set	EF0613030000		53	Cover Attaching Bracket R	FX0628R30000	
25	Presser Foot	EF0613130000		55	Hollow Set Screw	SS8205060TN0	M5*6L
26	Presser Foot Bushing	EF0613220000		56	Needle Bar Guide Rail	FX061302####	
27	Felt Packing	EF062300####		57	Take-up Lever Positioning Bushing	EF0606000000	
28	Presser Foot Adjusting Rubber	EF0625A0****	0.5t	58	Take-up Lever Shaft	EF060200####	
28	Presser Foot Adjusting Rubber	EF0625B0****	1.0t	60	Take-up Lever Gear	EF0603000000	
29	Cushion Ring D	ME0602000000		61	Flat Fillister Head Screw	SS4103100SD0	M3*10L
30	Presser Foot Spring C	ME0603000000		62	Take-up Lever Adjusting Bushing	EF0605000000	
31	Flat Fillister Head Screw	SM600907SC00	9/64*40*7L	63	Guide Roller Base	FX060700####	
32	Needle Bar Connecting Stud	FX0617000000		64	Hexagon Socket Head Cap Screw	SS6204080TN0	M4*8L
33	Upper Dead Point Stopper	EF0617010000		65	Color Change Bracket L	FX0609L00000	
34	Flat Fillister Head Screw	EF0647000000	9/64*40*12L	66	Color Change Bracket R	FX0609R00000	

Note: As for parts with marks # or \*, please follow our instructions on Table of Contents in your parts order.

(9606)

# TME-DC NEEDLE BAR CASE

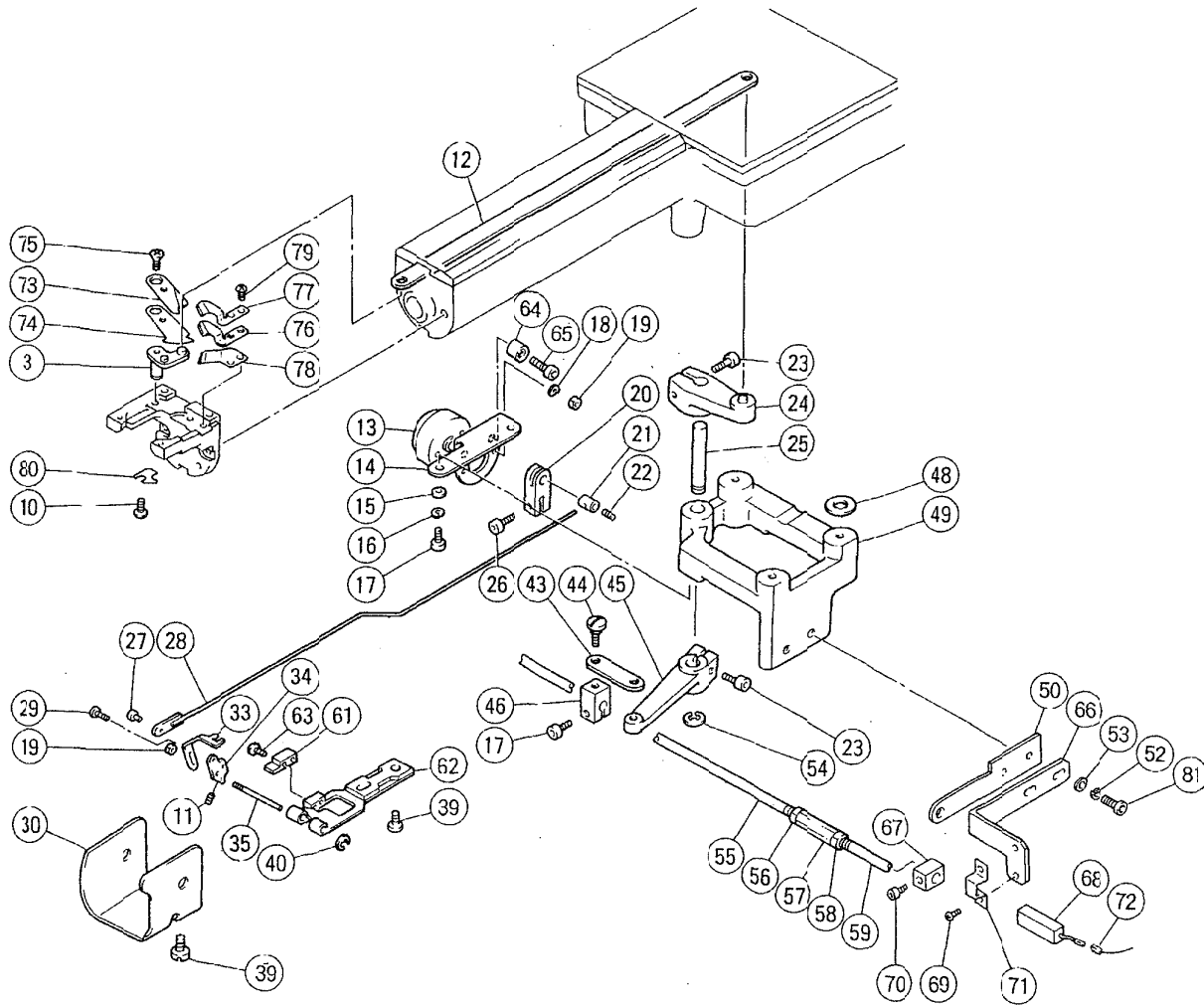
CD-6

Ref. No.	Description	Part No.	Remark	Ref. No.	Description	Part No.	Remark
67	Change Bracket Set Screw	F X 0 6 1 1 0 0 0 0 0 0		101	Hexagon Nut (Counterclockwise)		M6
68	Ball Bearing	B P R 1 3 4 0 Z Z 0 0 0		102	M6 Joint	E F 0 8 2 7 0 1 0 0 0 0	
69	E-ring	B P E 3 0 0 0 0 0 0 0 0		103	Hexagon Nut		M6
71	Take-up Lever Guide Rail	ME 0 5 4 7 0 0 # # # #		104	Slide Shaft B	ME 0 8 1 4 B 0 * * * *	
72	Flat Fillister Head Screw	SM 6 0 0 9 0 5 C C 0 0	9/64*40*5L	105	Case Rail, Upper	F X 0 6 0 6 0 1 # # # #	
73	Slide Roller	E F 0 5 5 3 0 0 # # # #		106	Roller Stopper	F X 0 6 3 5 0 0 0 0 0 0	
74	Arm Rail	ME 0 5 4 5 0 0 # # # #		107	Hexagon Socket Head Cap Screw	SS 6 2 0 4 0 6 0 T N 0	M4*6L
75	Case Rail, Lower	F X 0 6 1 2 0 0 # # # #		108	Truss Head Screw	SS 0 1 7 5 0 4 0 S D 0	M2.5*4L
76	Spring Pin		3P*15L	109	Plain Washer		M3
77	Flat Fillister Head Screw	SM 6 0 1 1 1 2 S C 0 0	11/64*40*12L	110	Hexagon Nut		M2.5
78	Take-up Lever Guide Rail Base L	ME 0 5 4 8 L 1 # # # #		111	Front Cover A	MX 0 8 1 5 0 0 0 0 0 0	
79	Take-up Lever Guide Rail Base R	ME 0 5 4 8 R 1 # # # #		112	Front Cover B	MX 0 8 1 6 0 0 * * * *	
80	Flat Fillister Head Screw	SM 6 0 0 9 0 8 S C 0 0	9/64*40*8L	113	Front Cover C	MX 0 8 1 7 0 0 # # # #	
81	Arm Front Cover R	ME 0 5 4 6 R 2 0 0 0 0		114	Front Cover D	B X 0 8 0 9 0 3 * * * *	
82	Arm Front Cover L	ME 0 5 4 6 L 1 0 0 0 0		115	Top Cover	C X 0 6 7 1 0 A # # # #	
83	Flat Fillister Head Screw	SM 6 0 1 1 0 7 S C 0 0	11/64*40*7L	116	Middle Thread Guide	C X 0 6 7 2 1 A # # # #	
84	Positioning Plate	F X 0 5 2 6 0 0 0 0 0 0		117	Thread Guide	MX 0 5 2 2 0 0 0 0 0 0	
85	Hexagon Socket Head Cap Screw	SM 6 2 1 1 1 0 T N 0 0	11/64*40*10L	118	Thread Guide	MX 0 5 2 1 0 0 0 0 0 0	
86	Cover Attaching Bracket R Set	B X R 8 0 7 0 0 0 0 0 0		119	Top Cover Attaching Screw	C X 0 6 7 5 0 0 0 0 0 0	
87	Cover Attaching Bracket L Set	B X L 8 0 7 0 0 0 0 0 0		120	Middle Thread Guide Set	C X 0 6 7 2 0 A # # # #	
88	Cover Attaching Bracket R	B X R 8 0 7 1 0 0 0 0 0		121	Top Cover Set	UN 2 6 0 0 2 2 * * * *	
89	Cover Attaching Bracket L	B X L 8 0 7 1 0 0 0 0 0		122	Take-up Lever	F X 0 6 0 3 0 1 0 0 0 0	
90	Flat Fillister Head Screw	SM 6 0 0 9 0 6 C C 0 0	9/64*40*6L	123	Hexagon Socket Head Cap Screw	SS 6 2 0 4 0 5 0 T N 0	M4*5L
91	Start Switch Base	B X 0 8 0 8 0 3 * * * *		124	Lower Thread Guide Set	UN 2 6 0 0 6 0 # # # #	
92	Start Switch	SC 5 8 0 3 0 0 0 0 0 0		125	Thread Guide	F X 0 6 2 6 1 1 0 0 0 0	
93	Stop Button Switch	SC 5 8 0 6 0 0 0 0 0 0		126	Needle	E F 0 6 4 0 0 0 0 0 0 0	DB K5-11
94	Retaining Washer	B X 0 8 1 1 0 0 0 0 0 0					
95	Cord Clamp	B X 0 8 1 0 0 0 0 0 0 0					
96	Truss Head Screw	SS 0 1 0 4 0 6 0 S D 0	M4*6L				
100	Slide Shaft A	ME 0 8 1 4 A 0 * * * *					

Note: As for parts with marks # or \*, please follow our instructions on Table of Contents in your parts order.

(9606)

TME-DC KNIFE DRIVE SET & PICKER SET CD-7





# TME-DC KNIFE DRIVE SET & PICKER SET

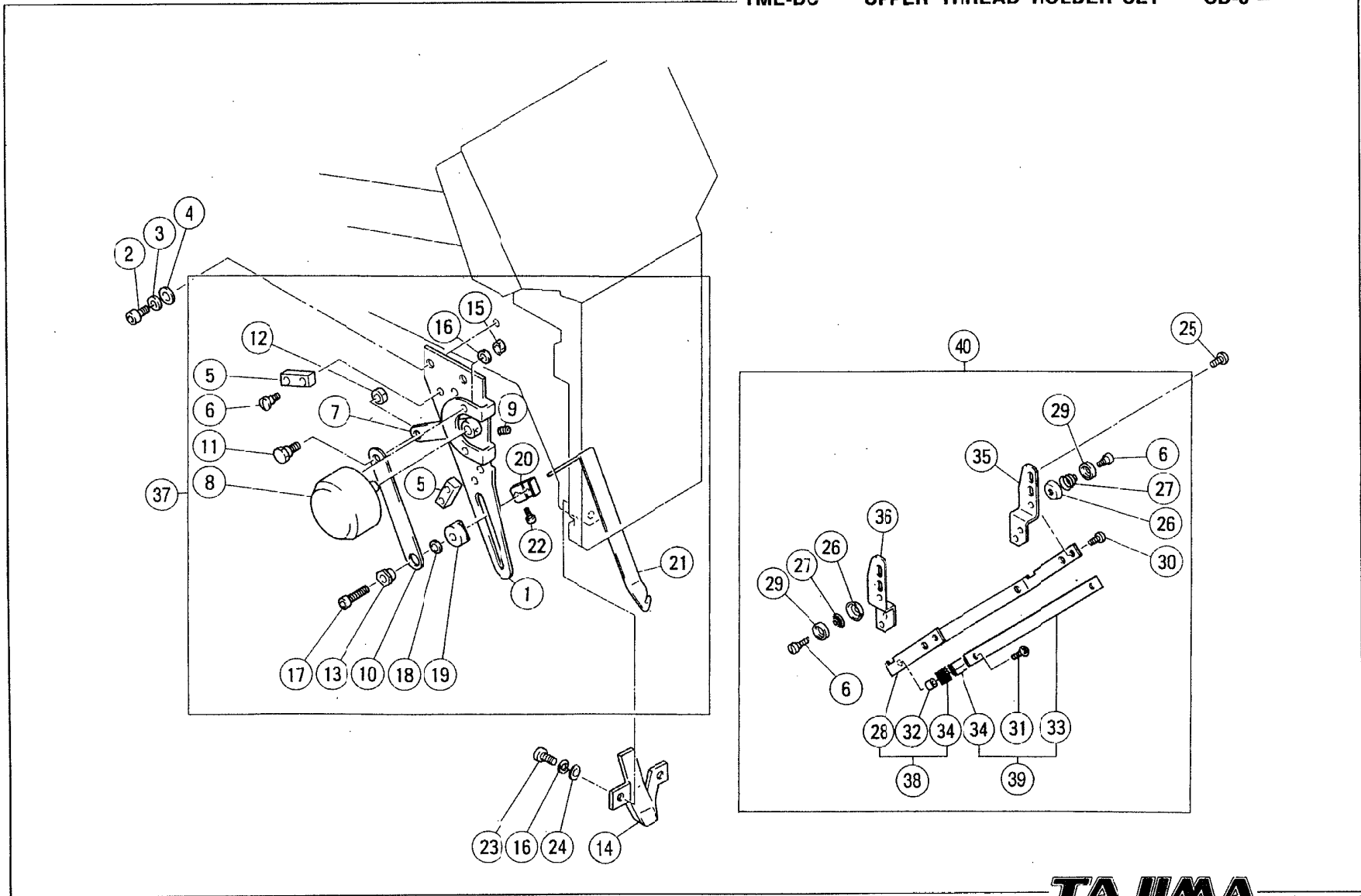
CD-7

Ref No.	Description	Part No.	Remark	Ref No.	Description	Part No.	Remark
3	Movable Knife Drive Arm	AC0506010000		46	Connecting Stud	AT0208000000	
10	Pan Head Screw	SS4102030MZ0	M2*3L	48	Positioning Collar	AC0302000000	
11	Hollow Set Screw	SS8203050TN0	M3*5L	49	Arm Base	AC0501000000	
12	Connecting Plate B	AC0505000000		50	Shaft Holder	AC0508000000	
13	Picker Solenoid	AT6803B10000		52	Spring Washer		M5
14	Solenoid Bracket	AC0201000000		53	Plain Washer		M5
15	Plain Washer		M4	54	E-ring	BPE500000000	
16	Spring Washer		M4	55	Thread Trimming Shaft B	ME0816B0****	
17	Hexagon Socket Head Cap Screw	SS6204100TN0	M4*10L	56	Hexagon Nut (Counterclockwise)		M6
18	Spring Washer		M3	57	M6 Joint	EF0827010000	
19	Hexagon Nut		M3	58	Hexagon Nut		M6
20	Solenoid Arm	AC0202000000		59	Thread Trimming Shaft A	ME0816A0****	
21	Arm Pin A	AC0203000000		61	Picker Stopper	AC0212010000	
22	Hollow Set Screw	SS8203030TN0	M3*3L	62	Picker Bracket	AC0206010000	
23	Hexagon Socket Head Cap Screw	SS6204120CC0	M4*12L	63	Pan Head Screw	SS4175080MZ0	M2.5*8L
24	Connecting Arm	AC0503000000		64	Cushion	AT0404000000	
25	Arm Pin B	AC0502000000		65	Cushion Pin	AT0405000000	
26	Hexagon Socket Head Cap Screw	SS6204080TN0	M4*8L	66	Sensor Bracket C	AC0701000000	
27	Connecting Pin	AC0205000000		67	Searching Block	FX0217000000	
28	Connecting Plate A	AC0204000000		68	Proximity Switch	EG6601000000	
29	Hexagon Socket Head Button Screw	SS3203050CN0	M3*5L	69	Pan Head Screw	SS4103050SD0	M3*5L
30	Rotary Hook Base Cover	AC0102010000		70	Hexagon Socket Head Cap Screw	SS6204080TN0	M4*8L
33	Picker	AC0210010000		71	Proximity Switch Lock	ED760400****	
34	Picker Base	AC0209000000		72	Knife Retracting Sensor Harness	ED760400****	
35	Picker Holder Pin	AC0211000000		73	Movable Knife	AC0511000000	
39	Flat Fillister Head Screw	AC0208000000		74	Thread Separating Plate	AC0512000000	
40	E-ring	BPE200000000		75	Countersunk Head Screw	SS1103080SN0	M3*8L
43	Knife Connecting Lever	AT0207000000		76	Fixed Knife	AC0513000000	
44	Connecting Lever Pin	AT0206000000		77	Fixed Knife Guide	AC0514000000	
45	Connecting Arm B	AT0504000000		78	Under Thread Presser	AC0515000000	

Note: As for parts with marks # or \*, please follow our instructions on Table of Contents, in your parts order.

(9604)





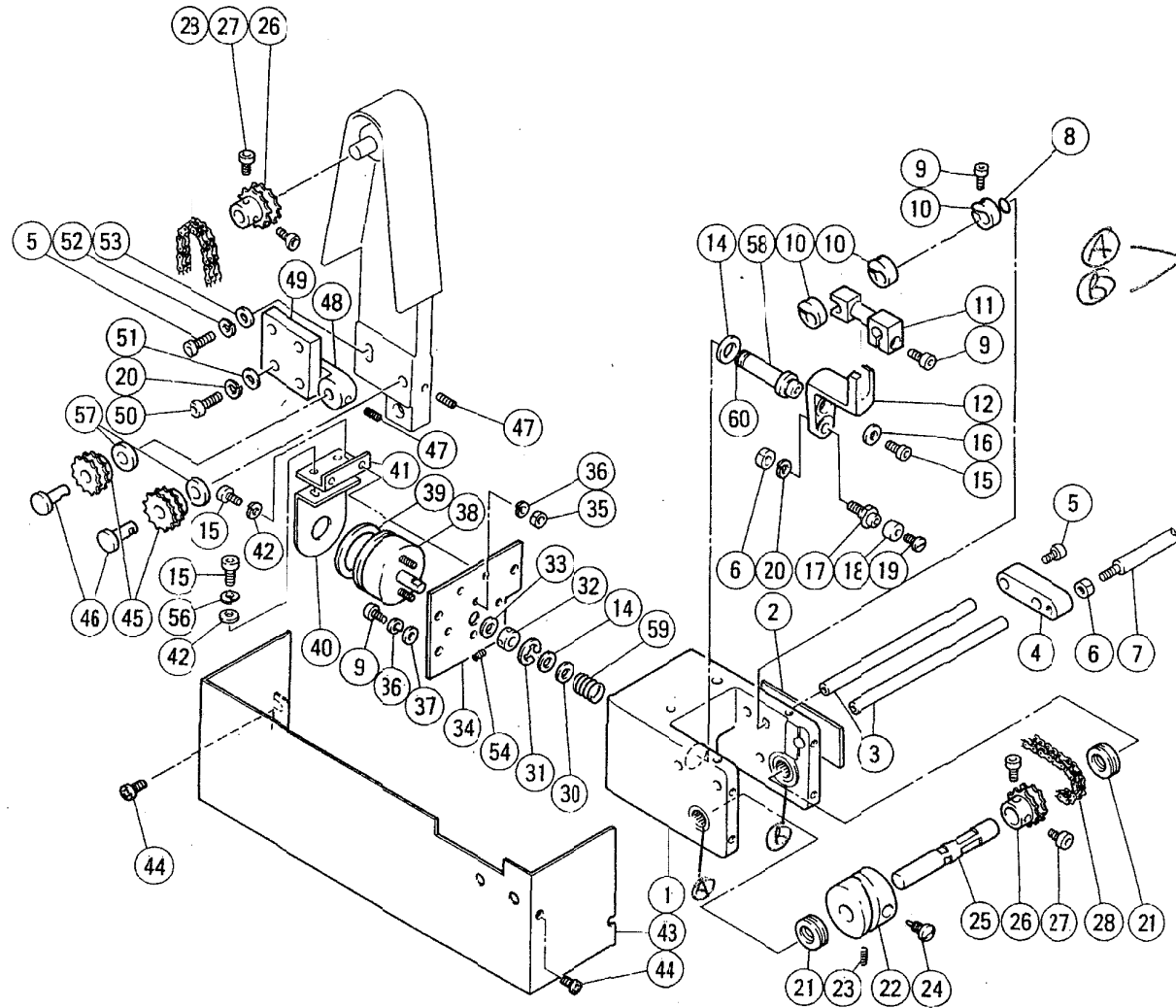
# TME-DC UPPER THREAD HOLDER SET

CD-8

Ref No.	Description	Part No.	Remark	Ref No.	Description	Part No.	Remark
1	Thread Hook Solenoid Base	AC0301000000		31	Pan Head Screw	SS4103080SA0	M3*8L
2	Hexagon Socket Head Cap Screw	SS6205120TN0	M5*12L	32	Thread Presser Spacer	AT0304000000	
3	Spring Washer		M5	33	Thread Presser Lid	AC031000####	
4	Plain Washer		M5	34	Velcro	AC031100####	
5	Arm Cushion	AT1309000000		35	Upper Thread Holder Bracket R	FX0629R00000	
6	Thread Suspender Attaching Screw	AT2311000000		36	Upper Thread Holder Bracket L	FX0629L00000	
7	Solenoid Arm	AT0308000000		37	Thread hook Solenoid Base Set	UN680161AC00	
8	Upper Thread Holder Solenoid	AT6801A20000		38	Thread Presser Base(with attaching tape)	UN680170****	
9	Hollow Set Screw	SS8204050TN0	M4*5L	39	Thread Presser Lid (with attaching tape)	UN680180****	
10	Connecting Rod Plate	AC0305000000		40	Thread Presser Base Set	UN680031****	
11	Lever Connecting Pin	AT0309000000					
12	Hexagon Nut		9/64*40				
13	Guide Bushing	AC0304000000					
14	Hook Guide	AC0307010000					
15	Hexagon Nut		M4				
16	Spring Washer		M4				
17	Hexagon Socket Head Cap Screw	SS6203200TN0	M3*20L				
18	Plain Washer		M3				
19	Positioning Collar	AC0302010000					
20	Upper Thread Hook Bracket	AC0306100000					
21	Upper Thread Hook	AC0306020000					
22	Hexagon Socket Head Cap Screw	SS6203120TN0	M3*12L				
23	Hexagon Socket Head Cap Screw	SS6204100TN0	M4*10L				
24	Plain Washer		M4				
25	Truss Head Screw	SM010904SA00	9/64*40*4L				
26	Thread Suspender Disk	EF0637000000					
27	Thread Suspender Spring	EF0639000000					
28	Thread Presser Base	AC030901####					
29	Thread Suspender Spring Presser	EF0638000000					
30	Pan Head Screw	SS4103040MZ0	M3*4L				

Note: As for parts with marks # or \*, please follow our instructions on Table of Contents, in your parts order.

(9504)



(A) (B) (21) BPSB1528000 bearing  
BPSW1527A300 thrust washer

# TME-DC CAM DRIVER SET

CD-9

Ref No.	Description	Part No.	Remark	Ref No.	Description	Part No.	Remark
1	Cam Attaching Base	AC0401000000		33	Cushion Washer B	AT0116000000	
2	Driver Cam Base Spacer	MX083200****		34	Solenoid Base	AT2101000000	
3	Thread Trimming Base Shaft	AT0115000000		35	Hexagon Nut		M5 Type3
4	Slide Block	AC0404000000		36	Spring Washer		M5
5	Hexagon Socket Head Cap Screw	SS6208180TN0	M8*18L	37	Plain Washer		M5
6	Hexagon Nut		M6 Type3	38	Thread Trimming Solenoid	AT6802A00000	
7	Thread Trimming Shaft C	ME0816C0****		39	Solenoid Cushion	AT0119000000	
8	O-Ring	BPP1000000000		40	Plunger Holder	AT0121000000	
9	Hexagon Socket Head Cap Screw	SS6205150TN0	M5*15L	41	Plunger Bracket	AT0120000000	
10	Cushion Connecting Stud	AC0405000000		42	Plain Washer		M4
11	Lever Drive Pin	AC0403000000		43	Chain Cover B	AC0408000000	
12	Cam Lever	AC0402000000		44	Truss Head Screw	SS0105080SD0	M5*8L
14	Cushion Washer A	AT0107000000		45	Tension Sprocket	AT0117000000	
15	Hexagon Socket Head Cap Screw	SS6204080TN0	M4*8L	46	Tension Pin	AT0118000000	
16	Lever Fixing Washer	AT0109000000		47	Hollow Set Screw	SS8206080TN0	M6*8L
17	Cam Pin	AT0110000000		48	Tension Bracket	AT2105000000	
18	Cam Roller	AT0111000000		49	Tension Bracket Attaching Plate	AC0407000000	
19	Lid Screw	AT0112000000		50	Hexagon Socket Head Cap Screw	SS6206150TN0	M6*15L
20	Spring Washer		M6	51	Plain Washer		M6
21	Thrust Bearing Set		KO	52	Spring Washer		M8
22	Cam	AT0103000000		53	Plain Washer		M8
23	Cam Set Screw	SM801812TN00	9/32*28*12L	54	Set Screw	SM801104TN00	11/64*40*4L
24	Cam Attaching Screw	AT0123000000		56	Spring Washer		M4
25	Cam Shaft	AT0102000000		57	Thrust Washer	BPAS11000000	
26	15mm Dia. Sprocket	AT0104000000		58	Lever Support Pin	AT0106010000	
27	Hexagon Socket Head Cap Screw	SS6206100TN0	M6*10L	59	Cam Roller Return Spring	AT0108010000	
28	Chain	AC0409000000		60	Support Pin Cushion	AT0106100000	
30	Washer B	AT0122000000					
31	E-ring	BPE120000000					
32	7.94mm Dia. Collar	EF0209000000					

Note: As for parts with marks # or \*, please follow our instructions on Table of Contents, in your parts order.

(9504)



# TME-DC X-AXIS DRIVE SYSTEM

CD-10

Ref. No.	Description	Part No.	Remark	Ref. No.	Description	Part No.	Remark
4	Hexagon Socket Head Cap Screw	SS 6 2 0 4 0 8 0 T N 0	M4*8L	131	Proximity Switch	EG 6 6 0 1 0 0 0 0 0 0	
5	Plain Washer		M4	132	Pan Head Screw	SS 4 1 0 3 0 4 0 S D 0	M3*4L
8	Plain Washer		M3	137	Hexagon Socket Head Cap Screw	SS 6 2 0 3 0 4 0 T N 0	M3*4L
12	Fixture Base	EG 0 7 3 0 0 0 0 0 0 0		138	Positioning Plate Attaching Bracket	CM 0 7 1 5 0 1 0 0 0 0	
15	Adjusting Knob	EG 0 7 3 1 0 0 0 0 0 0		139	Positioning Plate	CM 0 7 1 7 0 1 0 0 0 0	
16	Limit Switch	PB 0 0 1 0 0 0 S P 0 0		144	Driver-side Timing Pulley A	MX 0 7 1 0 A 0 0 0 0 0	
17	Actuator	MS 6 6 0 2 0 0 0 0 0 0		151	X-axis Drive Belt	BPS 5 M 3 5 0 * * * *	
18	Hexagon Socket Head Cap Screw	SS 6 2 0 8 2 5 0 T N 0	M8*25L	152	Tention-side Timing Pulley A Set	MX S 7 1 1 A 0 0 0 0 0	
19	Spring Washer		M8	153	Washer	BPTW 1 2 2 5 0 0 0 0	
20	Plain Washer		M8	157	X-axis Driver Frame A	CD 0 7 0 1 A 0 * * * *	
23	Hexagon Socket Head Cap Screw	SS 6 2 0 6 1 5 0 T N 0	M6*15L	158	X-axis Driver Frame B	CD 0 7 0 1 B 0 * * * *	
28	Hollow Set Screw	SS 8 2 0 6 0 6 0 T N 0	M6*6L	159	Shaft Holder Plate R	CD 0 7 0 2 R 0 0 0 0 0	
36	N-Coupling	BPN 1 5 0 1 5 0 0 0 0		160	Shaft Holder Plate L	CD 0 7 0 2 L 0 0 0 0 0	
37	Pulse Motor Base	EH 0 7 0 2 0 2 0 0 0 0		161	X-axis Feed Plate	CD 0 7 0 4 0 0 0 0 0 0	
38	Hexagon Socket Head Cap Screw	SS 6 2 0 8 4 0 0 T N 1	M8*40L	162	X-axis Safety Stopper	CD 0 7 0 5 0 0 0 0 0 0	
39	Motor Base Liner	EH 0 7 0 8 0 0 * * * *		163	Tension Base Holder	MX 0 7 3 4 0 0 0 0 0 0	
40	Hexagon Nut		M8	164	X-axis Tension Base	MX 0 7 2 2 0 0 0 0 0 0	
42	Hexagon Socket Head Cap Screw	SS 6 2 0 8 1 5 0 T N 0	M8*15L	165	Tention Shaft	MX 0 7 2 4 0 0 0 0 0 0	
75	Pan Head Screw	SS 4 1 0 4 1 5 0 S D 0	M4*15L	166	Tension Base Shaft	MX 0 7 2 7 0 0 0 0 0 0	
96	Spring Washer		M4	167	Tension Base Shaft	MX 0 7 2 5 0 0 0 0 0 0	
98	Pan Head Screw	SS 4 1 0 3 1 4 0 S A 0	M3*14L	168	Tention Spacer	MX 0 7 2 6 0 0 0 0 0 0	
115	Limit Switch Base A	EG 0 7 2 7 A 1 0 0 D 0		169	Driver Tension Shaft	MX 0 7 2 8 0 0 0 0 0 0	
116	Limit Switch Spacer	EH 0 7 1 0 0 0 0 0 0 0		170	Stopper	MX 0 7 2 9 0 0 0 0 0 0	
122	Pulse (Stepping) Motor	EH 6 4 0 3 0 0 0 0 0 0		171	Belt Catcher Plate	MX 0 7 3 2 0 0 0 0 0 0	
122	Pulse (Stepping) Motor	LG 6 4 0 4 0 0 0 0 0 0	18H,15H X=360P	172	15mm Dia. Bearing Collar	EG 0 2 2 7 0 0 0 0 0 0	
125	Pan Head Screw	SS 4 1 0 3 1 2 0 S A 0	M3*12L	173	X-axis Drive Shaft	CD 0 8 0 7 0 0 0 0 0 0	
127	Sensor Attaching Base A	EG 0 7 3 2 A 1 0 0 0 0		174	Ball Bearing	BP 6 0 0 3 Z Z 0 0 0 0	
128	Hexagon Socket Head Cap Screw	SS 6 2 0 4 1 0 0 T N 0	M4*10L	175	Hollow Set Screw	SS 8 2 0 5 0 5 0 T N 0	M5*5L
129	Switch Attaching Bracket	CM 0 7 1 6 0 3 0 0 0 0		176	Hexagon Socket Head Cap Screw	SS 6 2 0 5 3 5 0 T N 0	M5*35L
130	Hexagon Socket Head Cap Screw	SS 6 2 0 3 0 6 0 T N 0	M3*6L	177	Hexagon Socket Head Cap Screw	SS 6 2 0 6 4 5 0 T N 0	M6*45L

Note: As for parts with marks # or \*, please follow our instructions on Table of Contents in your parts order.

(9606)

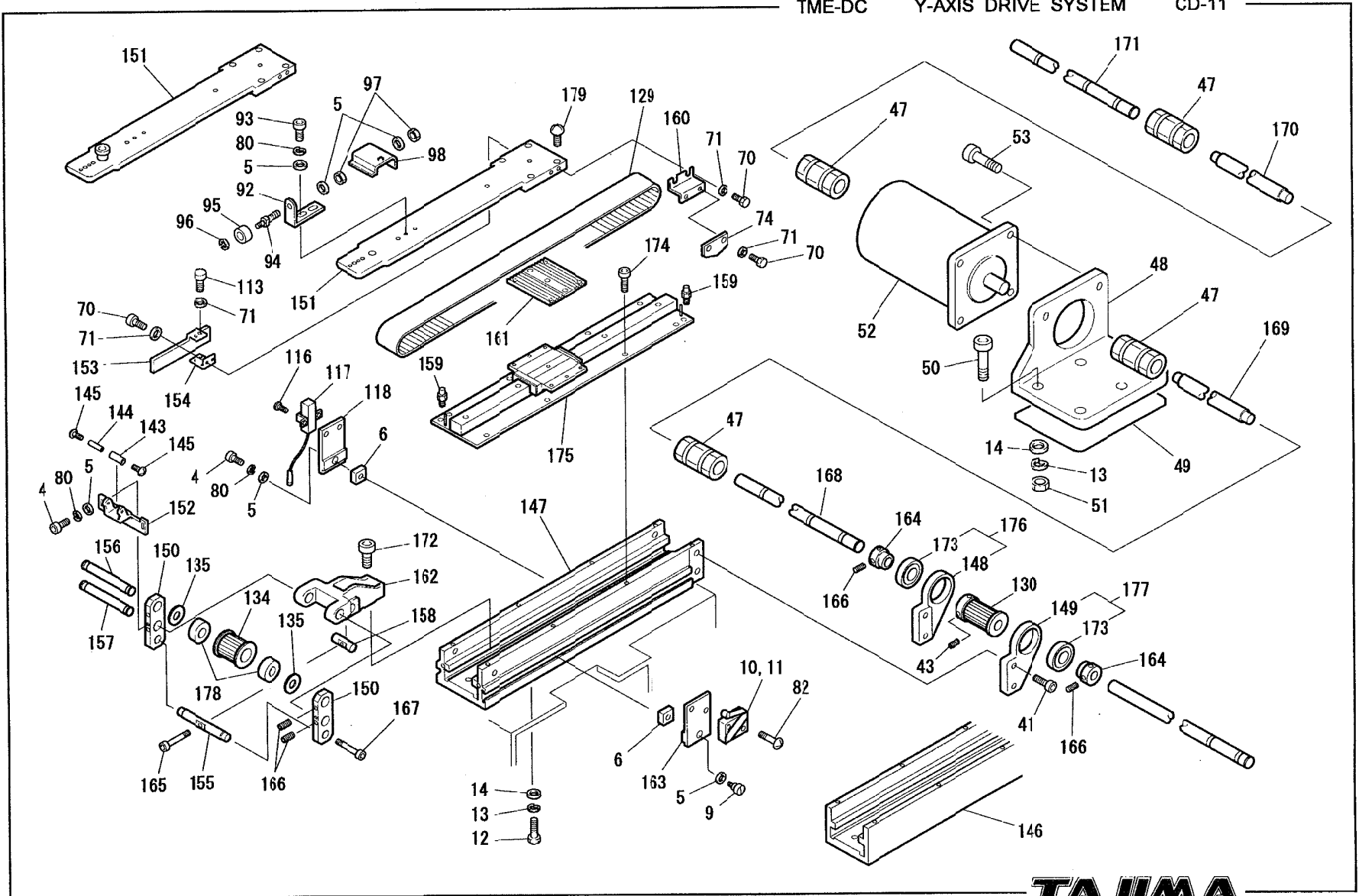




TME-DC

Y-AXIS DRIVE SYSTEM

CD-11



**TAJIMA**

(9606)

# TME-DC Y-AXIS DRIVE SYSTEM

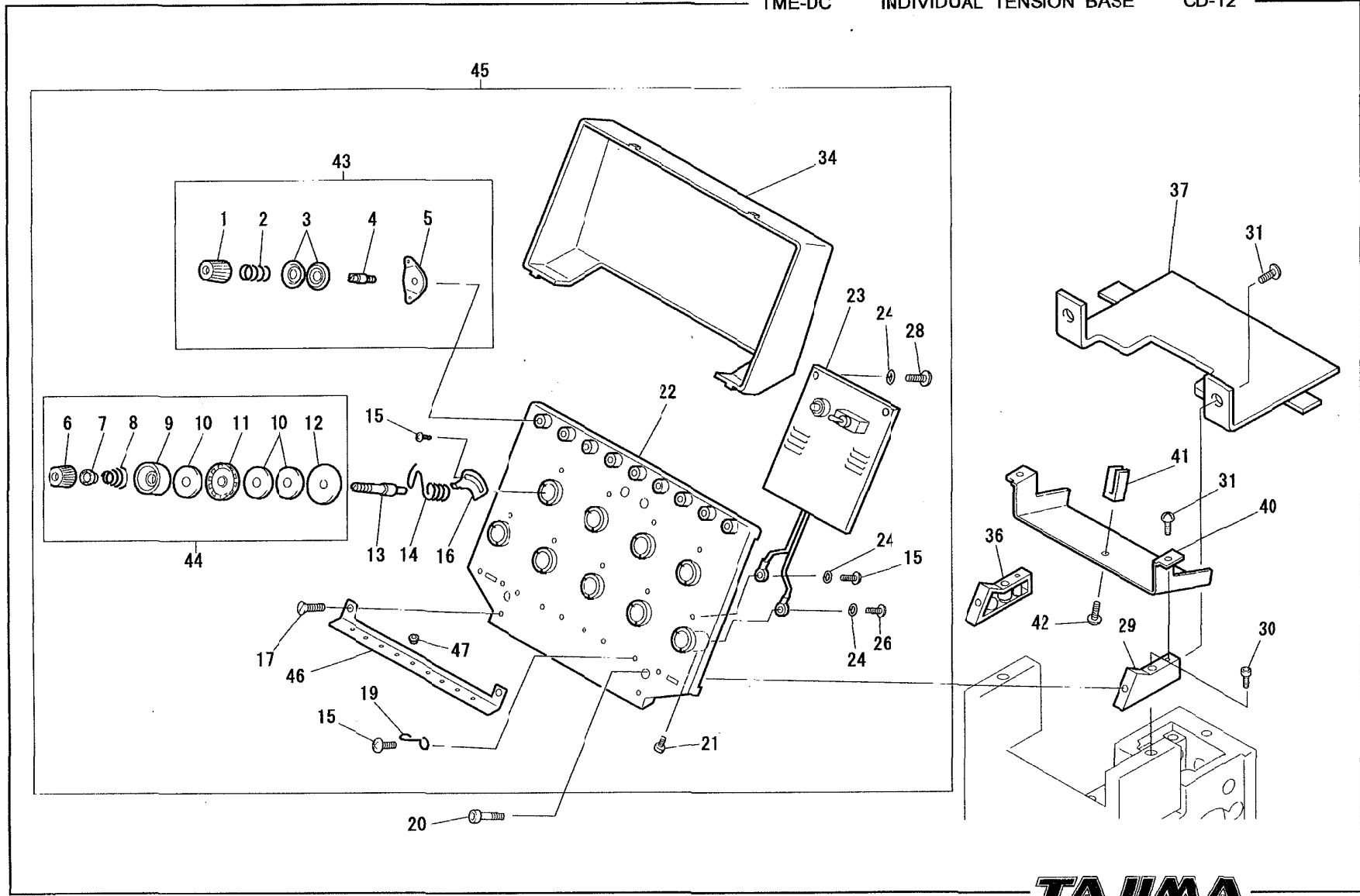
CD-11

Ref. No.	Description	Part No.	Remark	Ref. No.	Description	Part No.	Remark
4	Hexagon Socket Head Cap Screw	SS 6 2 0 4 1 0 0 T N 0	M4*10L	98	Roller Cover	CM 0 3 0 4 0 0 0 0 0 0	
5	Plain Washer		M4	113	Hexagon Bclt	SS 9 3 0 3 0 6 0 S D 0	M3*6L
6	Fixture Base	EG 0 7 3 0 0 0 0 0 0 0		116	Pan Head Screw	SS 4 1 0 3 0 5 0 S D 0	M3*5L
9	Adjusting Knob	EG 0 7 3 1 0 0 0 0 0 0		117	Proximity Switch	EG 6 6 0 1 0 0 0 0 0 0	
10	Limit Switch	PB 0 0 1 0 0 0 S P 0 0		118	Sensor Attaching Base A	EG 0 7 3 2 A 1 0 0 0 0	
11	Actuator	MS 6 6 0 2 0 0 0 0 0 0		129	Y-axis Drive Belt	BPS 5 M 3 5 0 9 4 0 0	
12	Hexagon Socket Head Cap Screw	SS 6 2 0 8 2 5 0 T N 0	M8*25L	130	Driver-side Timing Pulley A	MX 0 7 1 0 A 0 0 0 0 0	
13	Spring Washer		M8	134	Tention-side Timing Pulley A Set	MX S 7 1 1 A 0 0 0 0 0	
14	Plain Washer		M8	135	Washer	BPTW 1 2 2 5 0 0 0 0	
41	Hexagon Socket Head Cap Screw	SS 6 2 0 5 1 5 0 T N 0	M5*15L	143	Roller	EF 0 7 2 2 0 0 0 0 0 0	
43	Hollow Set Screw	SS 8 2 0 6 0 6 0 T N 0	M6*6L	144	Roller Pin	EF 0 7 2 3 0 1 0 0 0 0	
47	N-Coupling	BPN 1 5 0 1 5 0 0 0 0		145	Truss Head Screw	SS 0 1 0 3 0 8 0 S D 0	M3*8L
48	Pulse Motor Base	MX 0 7 1 8 0 1 0 0 0 0		146	X-axis Driver Frame A	CD 0 7 0 1 A 0 * * * *	
49	Motor Base Spacer	EF 0 8 2 8 0 0 0 0 0 0		147	X-axis Driver Frame B	CD 0 7 0 1 B 0 * * * *	
50	Hexagon Socket Head Cap Screw	SS 6 2 0 8 4 0 0 T N 1	M8*40L	148	Shaft Holder Plate R	CD 0 7 0 2 R 0 0 0 0 0	
51	Hexagon Nut		M8	149	Shaft Holder Plate L	CD 0 7 0 2 L 0 0 0 0 0	
52	Pulse (Stepping) Motor	EH 6 4 0 4 0 0 0 0 0 0		150	Y-axis Tension Base	CD 0 7 0 3 0 0 0 0 0 0	
52	Pulse (Stepping) Motor	LG 6 4 0 5 0 0 0 0 0 0	18H,15H X=360P	151	Y-axis Feed Plate, Rear A	CD 0 7 0 6 A 0 0 0 0 0	W/O Switch Hole
53	Hexagon Socket Head Cap Screw	SS 6 2 0 8 1 5 0 T N 0	M8*15L	151	Y-axis Feed Plate, Rear B	CD 0 7 0 6 B 0 0 0 0 0	With Switch Hole
70	Hexagon Bolt	EG 0 7 8 0 0 0 0 0 0 0	M3*6L	152	Bearing Case	CD 0 7 0 7 0 0 0 0 0 0	
71	Plain Washer		M3	153	Y-axis Positioning Plate	CD 0 7 0 8 0 0 0 0 0 0	
74	LS Dog	EG 0 7 2 8 0 0 0 0 0 0		154	Y-axis Positioning Plate Attach Bracket	CD 0 7 0 9 0 0 0 0 0 0	
80	Spring Washer		M4	155	Tention Shaft	MX 0 7 2 4 0 0 0 0 0 0	
82	Pan Head Screw	SS 4 1 0 3 1 4 0 S A 0	M3*14L	156	Tension Pulley Shaft	MX 0 7 2 5 0 0 0 0 0 0	
92	Roller Bracket, Rear	CM 0 3 0 2 0 0 0 0 0 0		157	Tension Base Shaft	MX 0 7 2 7 0 0 0 0 0 0	
93	Hexagon Socket Head Cap Screw	SS 6 2 0 4 0 6 0 T N 0	M4*6L	158	Driver Tension Shaft	MX 0 7 2 8 0 0 0 0 0 0	
94	Roller Pin	CM 0 3 0 3 0 0 0 0 0 0		159	Stopper	MX 0 7 2 9 0 0 0 0 0 0	
95	Roller	HF 0 1 2 2 0 0 0 0 0 0		160	LS Dog Base	MX 0 7 3 0 0 0 0 0 0 0	
96	E-ring	BPE 3 0 0 0 0 0 0 0 0		161	Belt Catcher Plate	MX 0 7 3 2 0 0 0 0 0 0	
97	Hexagon Nut		M4	162	Tension Base Holder	MX 0 7 3 4 0 0 0 0 0 0	

Note: As for parts with marks # or \*, please follow our instructions on Table of Contents in your parts order.

(9606)





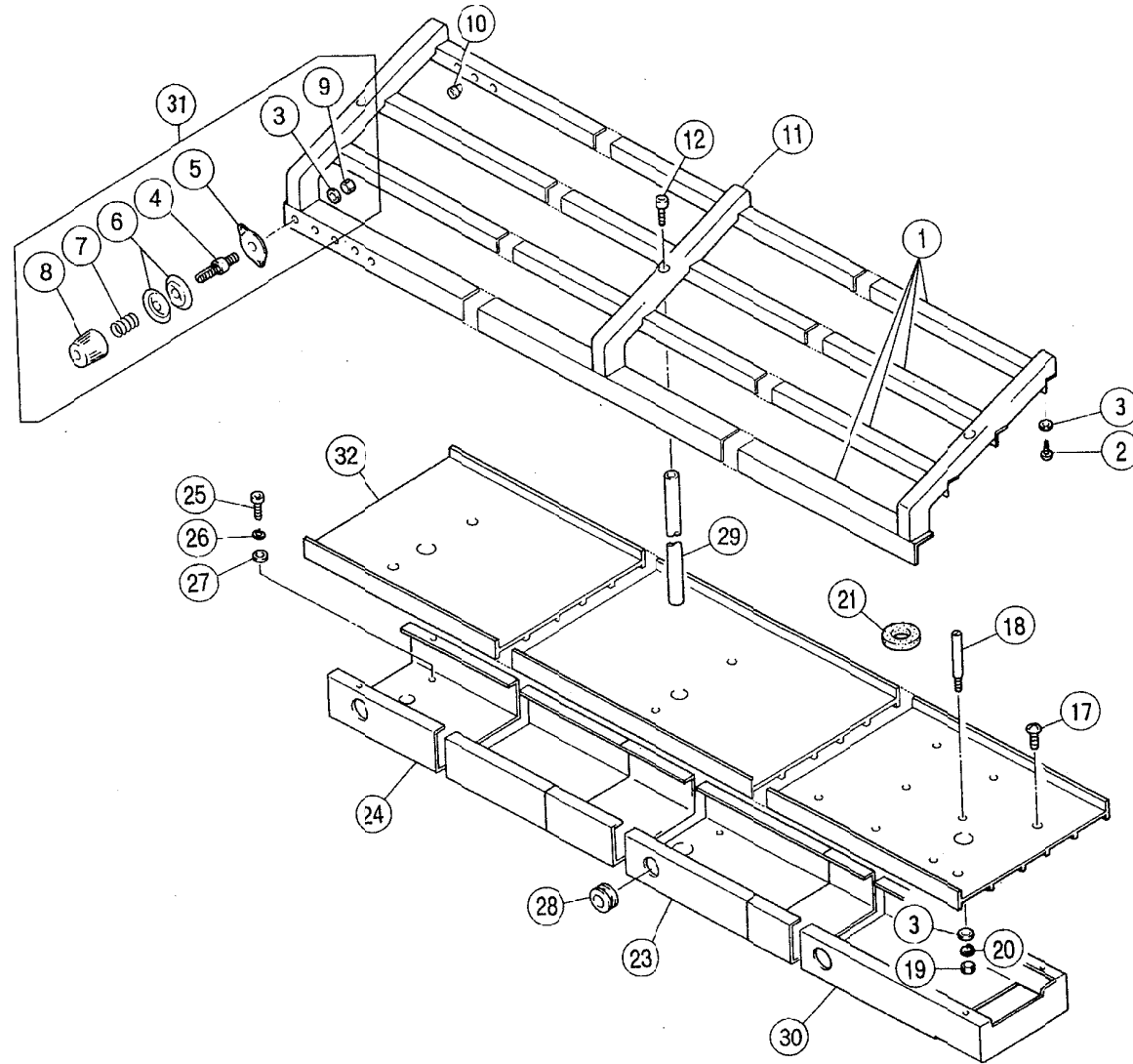
# TME-DC INDIVIDUAL TENSION BASE

CD-12

Ref. No.	Description	Part No.	Remark	Ref. No.	Description	Part No.	Remark
1	First Tension Thread Spring Screw	L G 0 9 2 2 0 0 0 0 0 0		37	Tension Base Cord Cover B	MX 0 9 0 1 B 2 # # # #	Middle
3	First Tension Disk	L G 0 9 2 0 0 0 0 0 0 0		37	Tension Base Cord Cover C	MX 0 9 0 1 C 2 # # # #	Left Side
4	First Tension Stud	L G 0 9 1 8 0 1 0 0 0 0		40	Cord Support Cover	F X 0 9 1 0 0 0 0 0 0 0	
5	First Tension Thread Course	L G 0 9 1 9 0 1 0 0 0 0		41	Harness Clamp	MX 0 9 0 2 0 0 0 0 0 0	
6	Adjusting Screw	E F 0 9 0 9 0 0 0 0 0 0		42	Truss Head Screw	S S 0 1 0 3 0 4 0 S D 0	M3*4L
7	Spring Hook	E F 0 9 1 0 0 0 0 0 0 0		43	First Tension Set	U N 1 5 0 5 0 0 A 0 0 0	
8	Tension Spring	E F 0 9 0 8 0 0 0 0 0 0		44	Tension Base Tension Set	U N 2 3 0 5 0 0 0 0 0 0	
9	Tension Collar	E F 0 9 0 6 0 0 0 0 0 0		45	Individual Tension Base Set	U N 2 3 0 0 2 1 * * * *	
10	Felt Packing	E F 0 9 0 4 0 0 0 0 0 0		46	Tension Base Lower Thread Guide	C X 0 9 0 1 0 0 # # # #	
11	Rotary Tension Disk	E F 0 9 0 5 0 1 0 0 0 0		47	Thread Guide	MX 0 5 2 1 0 0 0 0 0 0	
12	Insulation Plate	E F 0 9 0 3 0 0 0 0 0 0					
13	Tension Stud	L G 0 9 2 3 0 0 0 0 0 0					
14	Thread Take-up Spring	E F 0 9 0 7 0 1 0 0 0 0					
15	Truss Head Screw	S M 0 1 0 8 0 7 K L 0 0	1/8*44*7L				
16	Thread Breakage Detecting Contact Point	L G 0 9 1 6 0 0 0 0 0 0					
17	Round Countersunk Head Screw	S M 2 0 0 8 0 4 S A 0 0	1/8*44*4L				
19	Tension Base Middle Thread Guide	L G 0 9 1 7 0 2 0 0 0 0					
20	Hexagon Socket Head Cap Screw	S S 6 2 0 4 1 0 0 T N 0	M4*10L				
21	Flat Fillister Head Screw	S M 6 0 0 9 0 6 S C 0 0	9/64*40*6L				
22	Individual Tension Base	F X 0 9 0 1 0 1 # # # #					
23	Tension Base Card (PC Board)	E G 7 2 0 3 0 3 0 0 0 0					
24	Spring Washer		M3				
26	Pan Head Screw	S S 4 1 0 3 0 6 0 S D 0	M3*6L				
28	Pan Head Screw	S S 4 1 0 3 0 5 0 S D 0	M3*5L				
29	Individual Tension Base Support R	L G 0 9 1 2 R 1 0 0 0 0					
30	Hexagon Socket Head Cap Screw	S S 6 2 0 4 1 8 0 T N 0	M4*18L				
31	Truss Head Screw	S M 0 1 0 9 0 6 S D 0 0	9/64*40*6L				
34	Tension Base Cover	F X 0 9 0 3 0 0 # # # #					
36	Individual Tension Base Support L	L G 0 9 1 2 L 1 0 0 0 0					
37	Tension Base Cord Cover A	MX 0 9 0 1 A 2 # # # #	Right Side				

Note: As for parts with marks # or \*, please follow our instructions on Table of Contents in your parts order.

(9606)



# TME-DC THREAD STAND

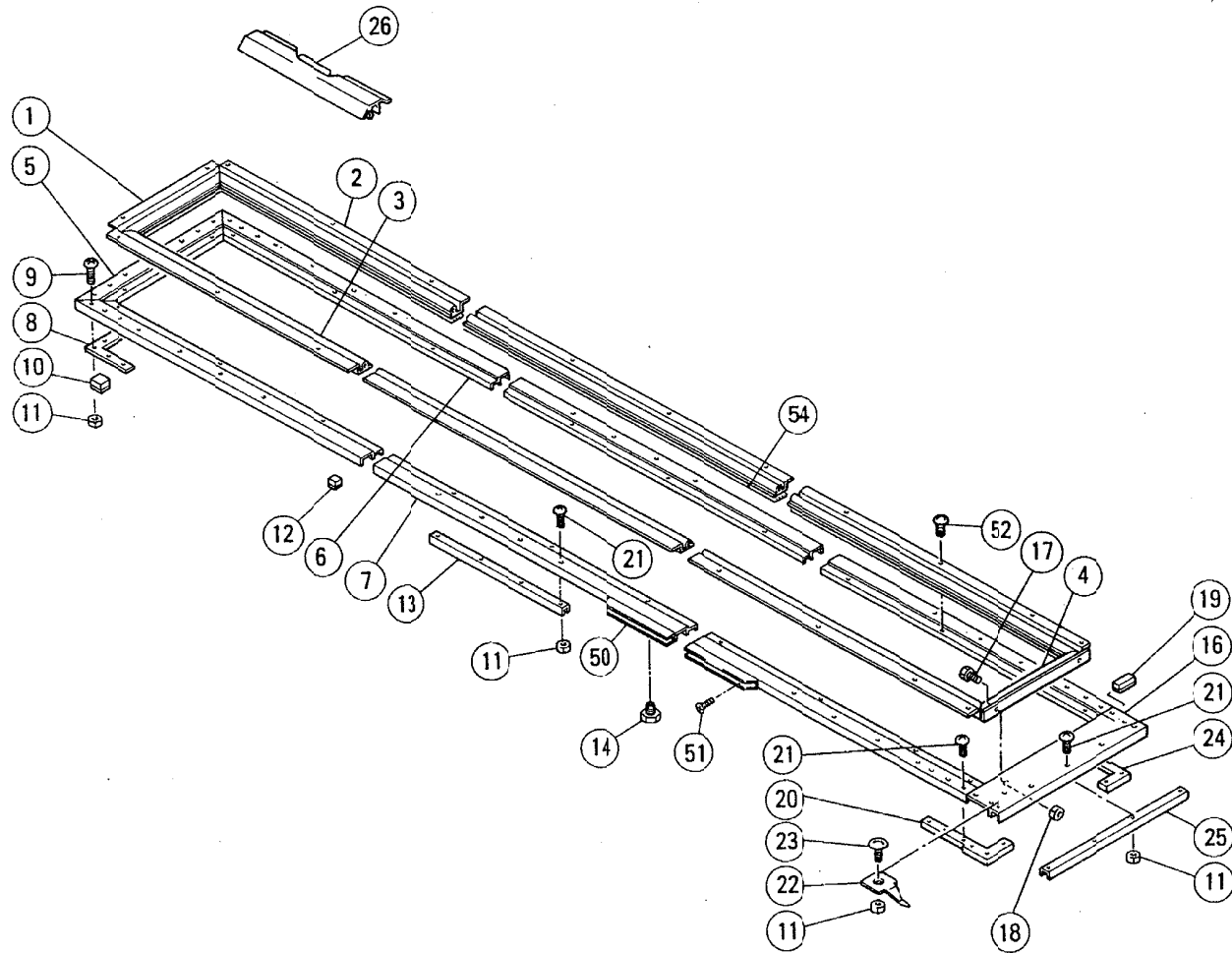
CD-13

Ref No.	Description	Part No.	Remark	Ref No.	Description	Part No.	Remark
1	Thread Course	E H 0 9 0 2 0 1 * * * *					
2	Pan Head Screw	S S 4 1 0 5 1 0 0 M Z 0	M5 * 10L				
3	Plain Washer		M5				
4	No.1 Tension Stud	L G 0 9 1 8 0 0 0 0 0 0					
5	No.1 Tension Thread Course	L G 0 9 1 9 0 1 0 0 0 0					
6	No.1 Tension Disk	L G 0 9 2 0 0 0 0 0 0 0					
7	No.1 Tension Spring	L G 0 9 2 1 0 1 0 0 0 0					
8	No.1 Thread Tension Spring Screw	L G 0 9 2 2 0 0 0 0 0 0					
9	Hexagon Nut		11/64 * 40				
10	Thread Guide A	E F 0 9 4 2 A 0 0 0 0 0 0	White				
10	Thread Guide B	E F 0 9 4 2 B 0 0 0 0 0 0	Red				
11	Thread Course Stay	M X 0 8 3 0 0 0 * * * *					
12	Hexagon Socket Head Cap Screw	S S 6 2 0 5 2 0 0 T D 0	M5 * 20L				
17	Truss Head Screw	S S 0 1 0 4 1 0 0 S D 0	M4 * 10L				
18	Thread Stand Stud	E F 0 9 3 9 0 1 0 0 0 0					
19	Hexagon Nut		M5				
20	Spring Washer		M5				
21	Thread Stand Felt	E F 0 9 4 0 0 0 0 0 0 0 0					
23	No.2 Wiring Duct	E H 0 9 0 3 B 0 * * * *					
24	No.3 Wiring Duct	E H 0 9 0 3 C 0 * * * *					
25	Hexagon Socket Head Cap Screw	S S 6 2 0 4 1 2 0 T N 0	M4 * 12L				
26	Spring Washer		M4				
27	Plain Washer		M4				
28	One-touch Bushing	B P T B 2 5 3 3 0 0 0 0					
29	Thread Stand Shaft A	E F 0 9 3 7 A 1 0 0 0 0					
30	No.1 Wiring Duct	H C 0 9 0 1 0 1 * * * *					
31	No.1 Tension Set	U N 1 5 0 5 0 0 B 0 0 0					
32	Thread Stand Plate	H C 0 9 0 2 0 1 * * * *					

Note: As for parts with marks # or \*, please follow our instructions on Table of Contents, in your parts order.

(9504)





# TME-DC EMBROIDERY FRAME

CD-14

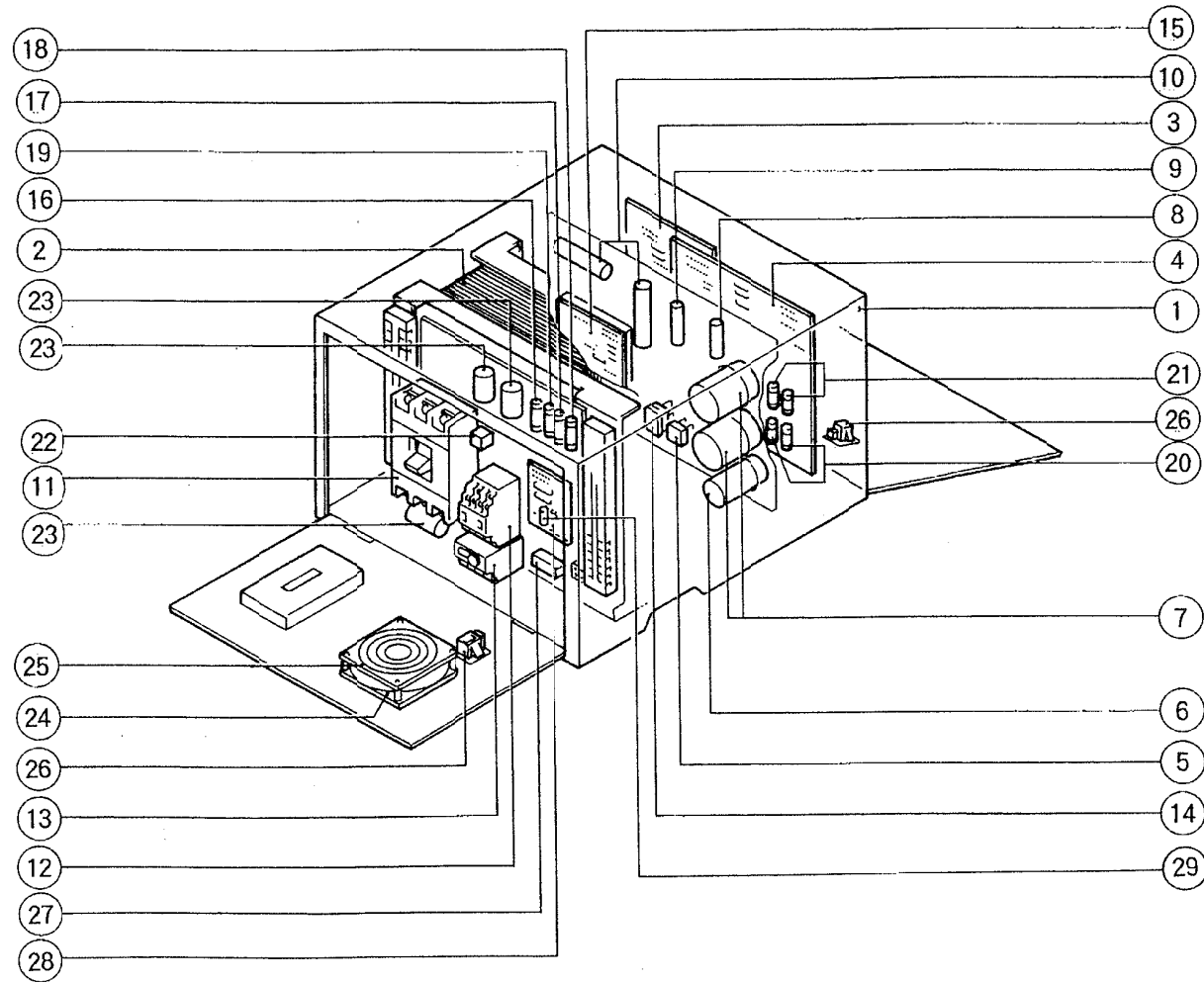
Ref No.	Description	Part No.	Remark	Ref No.	Description	Part No.	Remark
1	Border Frame Lengthwise Sash B	ME 0 3 1 3 B 0 0 0 0 0					
2	Border Frame Crosswise Sash, Rear	ME 0 3 1 1 0 0 * * * *					
3	Border Frame Crosswise Sash, Front	ME 0 3 1 2 0 0 * * * *					
4	Border Frame Lengthwise Sash A	ME 0 3 1 3 A 0 0 0 0 0					
5	Frame Sash, Lengthwise B	ME 0 3 0 3 B 0 0 0 0 0					
6	Frame Sash, Rear	ME 0 3 0 1 0 0 * * * *					
7	Frame Sash, Front	ME 0 3 0 2 0 0 * * * *					
8	Left Corner	ME 0 3 0 5 0 0 0 0 0 0					
9	Pan Head Screw	SS 4 1 0 5 1 2 0 SD 0	M5 * 12L				
10	No.3 Felt	ME 0 3 1 0 0 0 0 0 0 0					
11	Hexagon Nut		M5				
12	No.1 Felt	ME 0 3 0 8 0 0 0 0 0 0					
13	Crosswise Sash Rail	ME 0 3 0 7 0 0 * * * *					
14	Screw Ring	EF 0 3 0 3 0 0 0 0 0 0					
16	Frame Sash, Lengthwise A	ME 0 3 0 3 A 0 0 0 0 0					
17	Hexagon Bolt	SS 9 3 0 4 0 8 0 SD 0	M4 * 8L				
18	Hexagon Nut		M4				
19	No.2 Felt	ME 0 3 0 9 0 0 0 0 0 0					
20	Right Corner R	ME R 3 0 4 B 0 0 0 0 0					
21	Pan Head Screw	SS 4 1 0 5 0 8 0 SD 0	M5 * 8L				
22	Embroidery Space Indicator	ME 0 3 1 4 0 0 0 0 0 0					
23	Truss Head Screw	SS 0 1 0 5 0 8 0 SD 0	M5 * 8L				
24	Right Corner L	ME L 3 0 4 B 0 0 0 0 0					
25	Lengthwise Sash Rail	ME 0 3 0 6 0 0 0 0 0 0					
26	Border Frame Clip	EG 0 3 2 6 0 0 * * * *					
50	Rail Sash	CM 0 3 0 5 0 0 0 0 0 0					
51	Countersunk Head Screw	SS 1 1 0 4 0 5 0 SD 0	M4 * 5L				
52	Truss Head Screw	SS 0 1 0 4 0 8 0 CA 2	M4 * 8L				
54	Felt	ME 0 3 1 5 0 0 * * * *					

Note: As for parts with marks # or \*, please follow our instructions on Table of Contents, in your parts order.

(9504)

TME-DC POWER SUPPLY BOX

CD-15



# TME-DC POWER SUPPLY BOX

CD-15

Ref No.	Description	Part No.	Remark	Ref No.	Description	Part No.	Remark
1	Power Supply Box	E H 5 6 0 0 A 0 0 0 0 0	Up to 12 Head M/C				
1	Power Supply Box	E H 5 6 0 0 0 0 0 0 0 0	13 or more Head				
2	Transformer	P B 0 0 4 4 0 0 T V 0 0					
3	IMM Card	E D 5 6 0 1 0 0 0 0 0 0					
4	D-Joint 11 Card	E D 5 6 0 2 0 0 0 0 0 0					
5	Diode	P B 0 0 0 2 0 0 D S 0 0					
6	Electrolytic Condenser	P B 0 0 0 2 A 0 C A 0 0					
7	Electrolytic Condenser	P B 0 0 0 1 A 0 C A 0 0					
8	Resistor	P B 0 0 0 1 0 0 R A 0 0					
9	Resistor	P B 0 0 0 2 0 0 R A 0 0					
10	Resistor	P B 0 0 0 9 0 0 R A 0 0					
11	No Fuse Breaker	P B 0 0 0 1 0 0 K A 0 0					
12	Electro-magnetic Contactor	P B 0 0 0 6 0 0 K M 0 0					
13	Thermal Relay	P B 0 0 1 2 0 0 K A 0 0					
14	Relay	P B 0 0 0 1 0 0 K M 0 0					
15	DC Power Supply	P B 0 0 1 4 0 0 P W 0 0					
16	Glass Tube Fuse	P A 5 0 0 2 1 0 0 0 0 0					
17	Glass Tube Fuse	P A 5 0 0 2 3 0 0 0 0 0					
18	Glass Tube Fuse	P A 5 0 0 2 5 0 0 0 0 0					
19	Glass Tube Fuse	P A 5 0 0 2 A 0 0 0 0 0					
20	Glass Tube Fuse	P A 5 0 4 2 A 0 0 0 0 0					
21	Glass Tube Fuse	P A 5 0 0 2 8 0 0 0 0 0					
22	Surge Absorber	P B 0 0 0 1 0 0 R S 0 0					
23	Surge Absorber	P B 0 0 0 2 0 0 R S 0 0					
24	Fan	P B 0 0 0 1 0 0 B F 0 0					
25	Air Filter	P B 0 0 0 2 0 0 Z M 0 0					
26	Receptacle	P B 0 0 0 2 0 0 P A 0 0					
27	Condenser	P B 0 0 0 4 0 0 C C 0 0					
28	D-Table Card	E D 5 6 0 3 0 0 0 0 0 0					
29	Glass Tube Fuse	P A 5 0 0 2 4 0 0 0 0 0					

Note: As for parts with marks # or \*, please follow our instructions on Table of Contents, in your parts order.

(9504)

