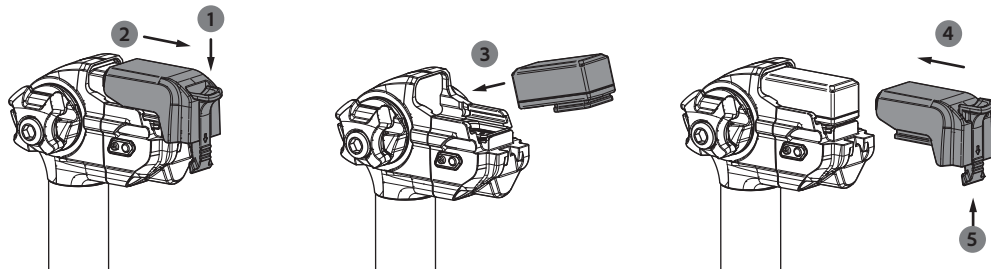


E CONTOUR

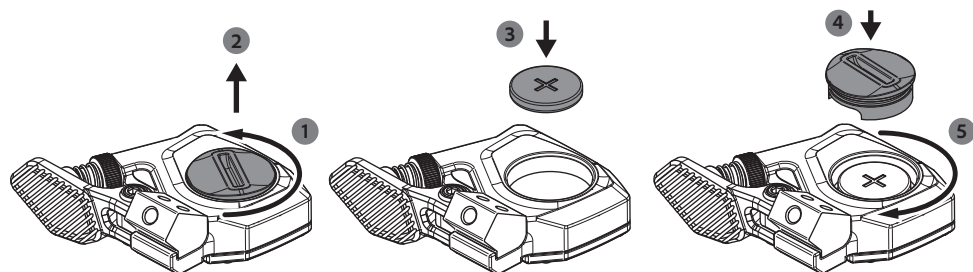
OWNERS MANUAL

BATTERY INSTALLATION



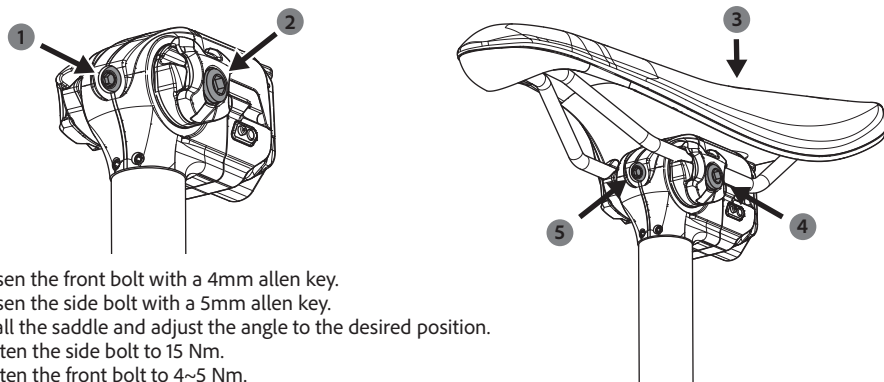
Pull down the tab on the battery cover and slide it away from the post. Now insert that battery into the opening ensuring the orientation is correct. Slide the cover over the battery and slide the tab upward to make sure the battery is securely fastening.

Note: Make sure the tab is firmly secured on the battery cover, failure to do so may result in the battery falling out.



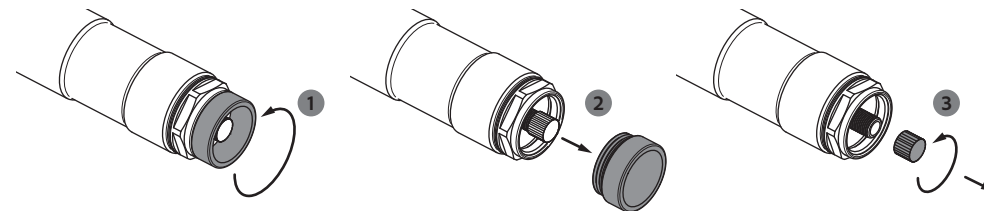
Use a coin to open up the battery cover. Install the CR2302 battery with the positive terminal facing outward. Close the battery cover using a coin to twist it in to the locked position.

SADDLE INSTALLATION



1. Loosen the front bolt with a 4mm allen key.
2. Loosen the side bolt with a 5mm allen key.
3. Install the saddle and adjust the angle to the desired position.
4. Tighten the side bolt to 15 Nm.
5. Tighten the front bolt to 4~5 Nm.

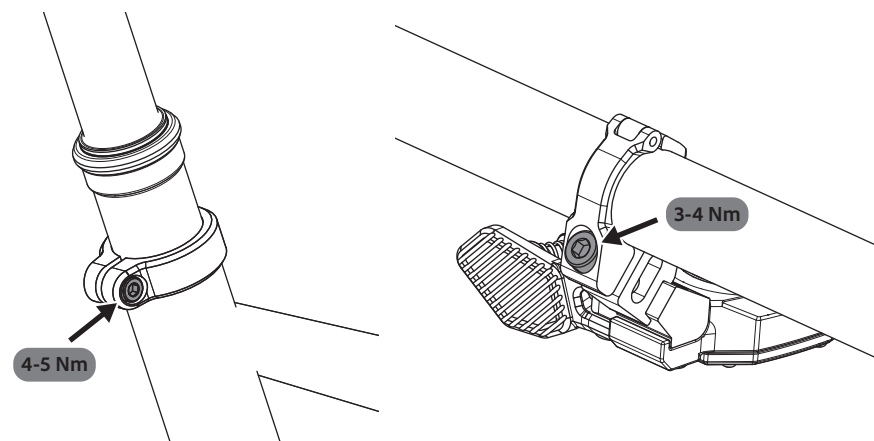
DROPPER POST INFLATION



Note: It is important to inflate the dropper post before the first use and to check and/or top up the pressure every 3-6 months.

1. Loosen and remove the lower cap (by hand).
2. Loosen and remove the valve cap.
3. Use a shock pump to inflate the cartridge to 280 - 300 psi.
4. Reinstall and tighten the valve cap and lower cap.

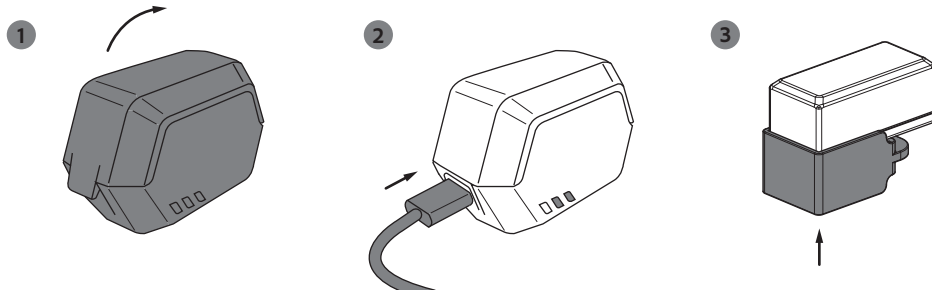
DROPPER POST INSTALLATION



Note: Double check that your seatpost diameter matches the frames seat tube diameter. Using an incorrectly sized dropper post will cause damage and void the warranty of the frame and dropper post.

1. Install the post ensuring that it is safely within the minimum insertion markings.
2. Tighten the seat clamp with torque 4~5 Nm, or to the lowest torque setting which securely fastens the seatpost in place when weighted.
3. Install the remote lever on the handlebars and tighten the bolt with a 4mm allen key to 3~4 Nm.

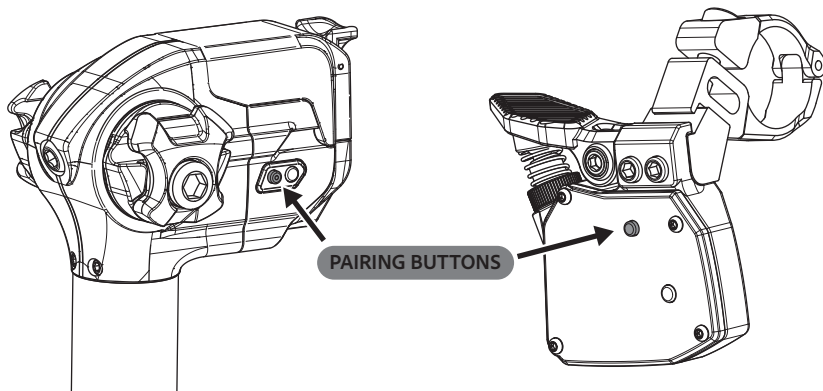
CHARGING THE SEATPOST



1. Open the battery charging dock and insert the battery.
2. Plug in the USB-C cable and connect it to a USB power source. Charge the battery until all of the indicator lights are illuminated. This should take around 90 minutes.
3. Remove the battery from the charging dock once charged and clip the battery in to the cover for storage.

Note: Remove the battery from the charging dock when charging is complete, do not leave this plugged in for extended periods of time.

USING THE DROPPER POST



PAIRING THE DROPPER POST AND LEVER

The lever and post should automatically be connected once you install the battery. If not please follow the pairing procedures below:

1. Press pairing button on the post for 30 seconds until red light flashes 5 times. Press the lever paddle and check if the LED flashes green indicating that the post and lever are paired.
2. If the lever and post have still not connected then press the pairing button on the lever for 30 seconds until red light flashes 5 times. Repeat the process above if pairing is unsuccessful.

Note: The pairing button on the dropper post doubles as an actuation button if the remote battery dies or if it loses connection to the remote. For emergency situations this button can be used to raise or lower the seat.

USING THE DROPPER POST (CONTINUED)

USING THE DROPPER POST

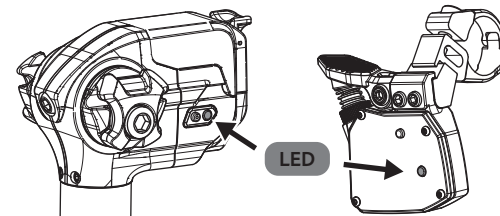
The post will automatically turn on when motion or vibration is detected. When the lever is pressed it will turn on and pair to the post. They will stay paired and in operation until there is no motion detected where after they will turn off. Make sure to press the lever once or twice when starting a ride to connect to the post. Listen out for the sound of the actuator to confirm your post is paired and working.

The operation of the dropper is similar to that of a conventional dropper; when the lever is pressed the dropper can be compressed to lower the saddle, when the lever is released it will lock in that position. We would recommend getting used to actuation of an electronic dropper as the feel is slightly different as there is a micro delay in the signal when actuating the post.

BATTERY LEVELS

The dropper and lever have indicator LED's lights which will flash green or red depending on the battery level. Green light indicates the battery level is good, red light indicates that the battery level is low. It's recommended to check the battery level after every ride to allow for time to charge before your next ride.

It is important to note, when your bike travels in/on a vehicle, the seatpost will be turned on as it senses motion. For longer distance travel we recommend removing the dropper battery as it will flatten the battery unintentionally.



ESTIMATED BATTERY LIFE

LED COLOUR	GREEN	RED
DROPPER POST	3000-7000 presses	<500 presses
REMOTE LEVER	10000-20000 presses	<500 presses

Note: The above quoted battery performance will vary according to temperatures and battery health. In order to prolong the battery life it is recommended to remove the battery whilst transporting the bike.

CAUTIONS

1. When the seatpost is not in use, it is recommended to remove the lithium battery and install the plastic cover. Keep the battery at room temperature and away from any heat sources.
2. When disposing of battery, isolate terminals by using tape and dispose according with applicable federal state and local regulations.
3. Please avoid high pressure washers being used close to the electrical part of the post, make sure battery is installed when washing the bike and that the terminals are free from water after each wash.
4. Check battery level before each ride, recharge or replace battery when the LED flashes red.
5. Never leave the battery unattended while charging. If the battery becomes hot, smokes, swells, or gives off an odour during charging, terminate charging immediately and replace the battery.
6. Keep out of reach of children. Swallowing can lead to chemical burns, perforation of soft tissue, and death. Severe burns can occur within 2 hours of ingestion. Seek medical attention immediately.

WARRANTY

This seatpost is warranted for a period of 2 years from the date of purchase against any physical failure or breakage from fatigue or poor workmanship. Moving parts of the seatpost including the cartridge, seals, brass keys and bushings are warranted against defective workmanship for a period of 1 year. Wear and tear on such items is not warranted; these items should be replaced during servicing. The warranty is expressly limited to the repair or replacement of the defective part at Lyne Components option and is the sole remedy of the warranty. The warranty applies only to the original owner and is not transferable. Proof of purchase is required to validate warranty eligibility. The warranty does not cover normal wear and tear, routine maintenance, improper installation or improper use of the seat post. Modification of the post in any manner will void the warranty. Lyne Components will not be responsible for incidental or individual costs incurred that are not covered by this warranty. The user assumes the risk of any personal injury or property damage, including damage to the seatpost and any other losses.