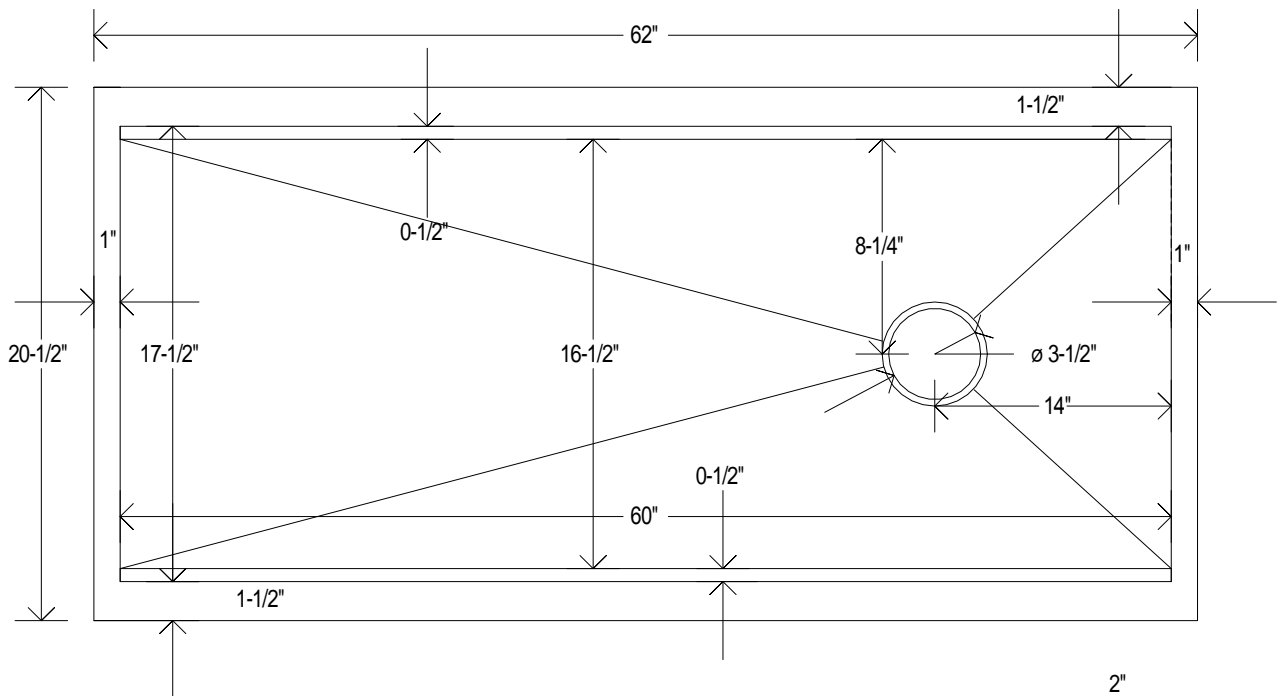




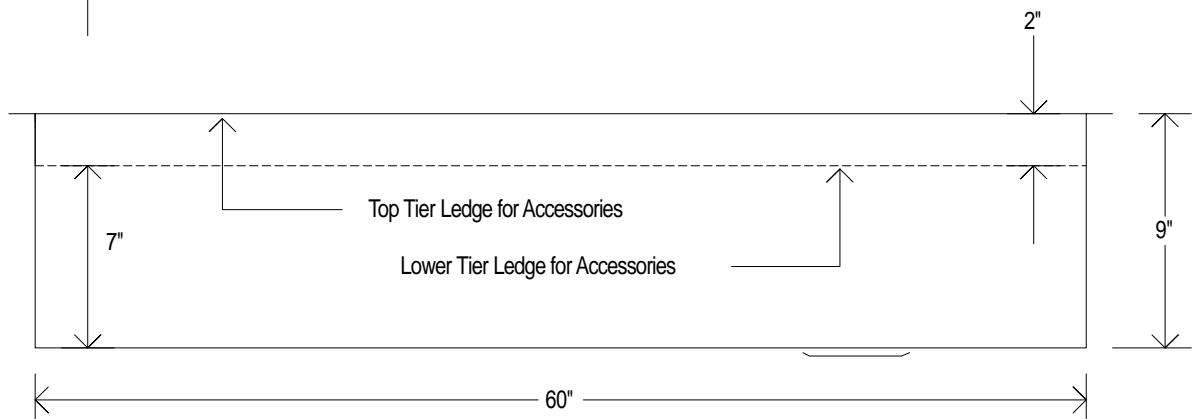
- **Sink Model:** 62" Eclipse Copper Undermount
- **Metal:** 14-Gauge 48oz Copper
- Non-recycled American 99.9% Pure Copper
- **Overall dimensions:** 62" x 20.5" x 9"
- **Inside dimensions:** 60" x 17.5" x 9"
- **Drain Placement:** Right Center - 3.5" Standard
- **Installation:** Undermount - 1" Perimeter Flange
- 1/2" Flange Reveal for Top Ledge

# 62 INCH

TOP  
VIEW



FRONT  
VIEW



\*Drawing is to scale



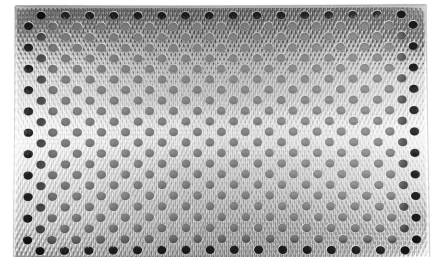
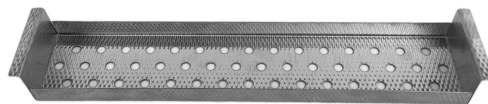
HAVENS



LIFETIME WARRANTY | EASY CARE | ERGONOMIC DESIGN | AMERICAN HANFCRAFTED

**HANDCRAFTED IN THE USA BY HAVENS**

BUILT-IN CULINARY WORKSTATION LEDGE FOR ACCESSORIES



### AVAILABLE CULINARY ACCESSORIES FOR THE ECLIPSE SINK:

12"/15" COPPER DRYING RACK | SPONGE & SOAP CADDY  
PROFESSIONAL CUTTING BOARD | MIXING BOWL CUTTING BOARD 5  
QT. PASTA STRAINER BOARD | 5 QT. MIXING BOWL BOARD TRIPLE  
CONTAINER SERVE BOARD | SIX CONTAINER SERVE BOARD  
FILLABLE COPPER DROP IN BOWL | COPPER DROP-IN STRAINER  
2 CONTAINER & BOWL BOARD | OVEN PAN | FULL SINK COVER