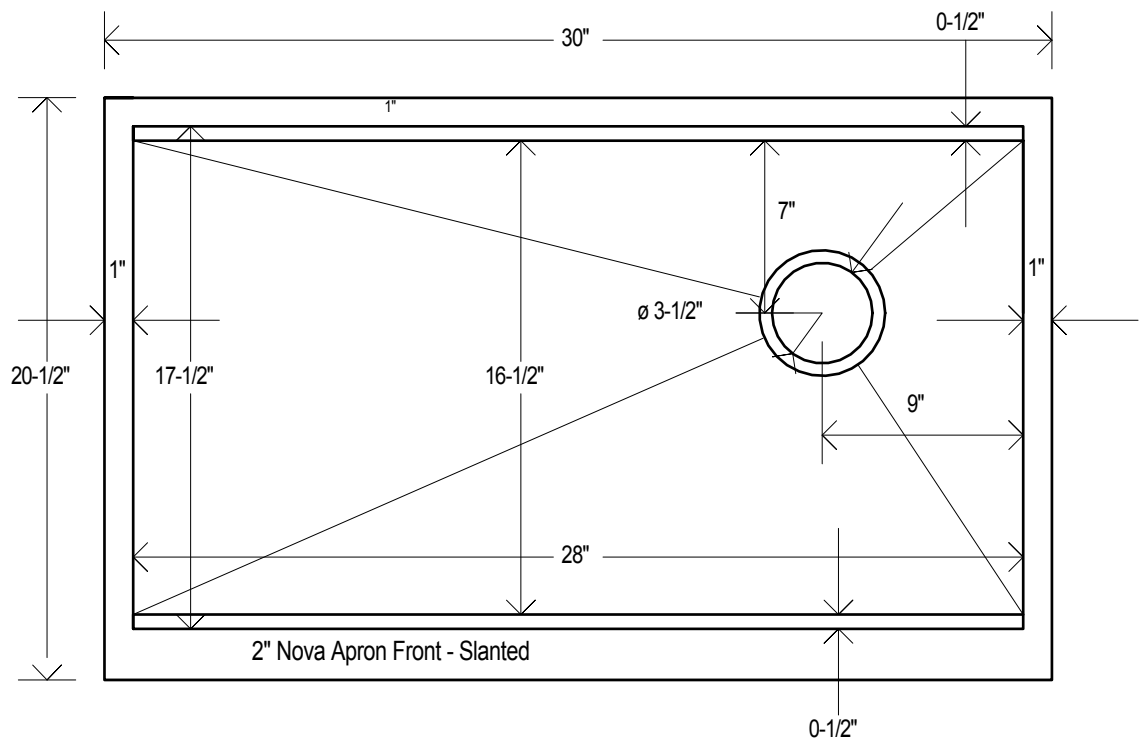




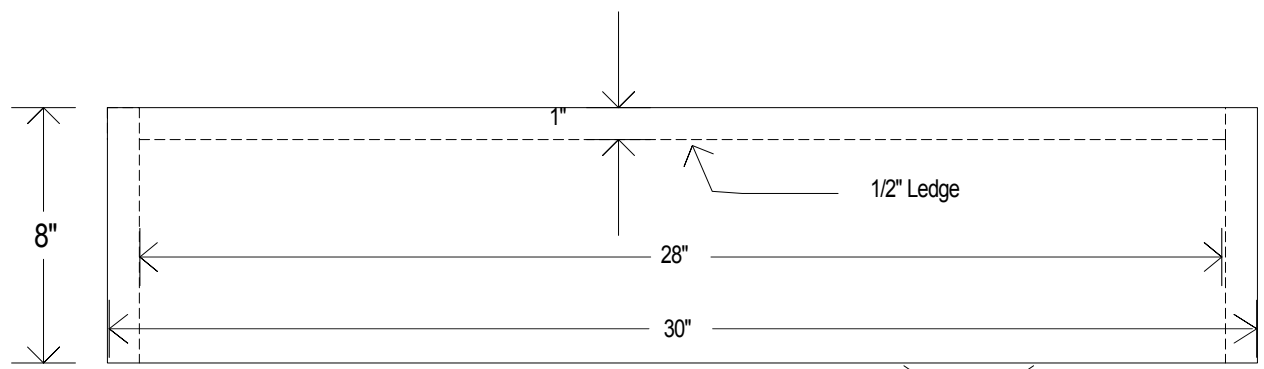
- Sink Model: 33" Nova Farmhouse Sink
- Metal: 16-Gauge Type 316 Stainless Steel
- Finish: Select Stainless 30" x 20-1/2" x 8"
- Inside dimensions: 28" x 17-1/2" x 8"
- Drain Placement: Right Rear - 3.5" Standard
- Installation: Undermount - 1" Perimeter Flange

# 30 INCH

TOP  
VIEW



FRONT  
VIEW

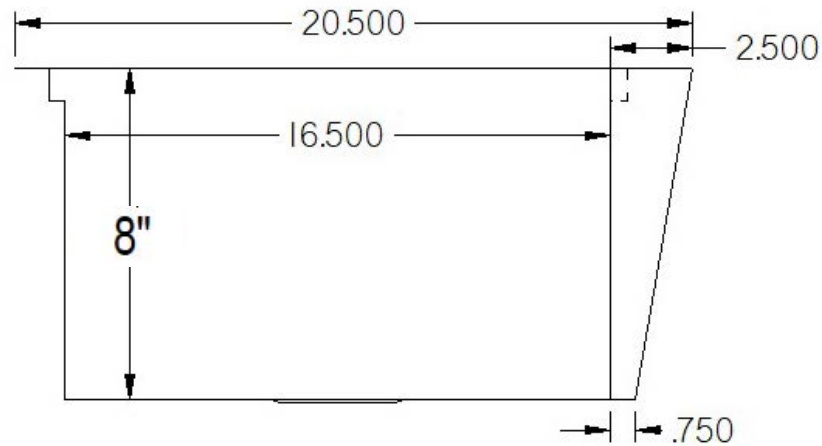


\*Drawing is to scale

- Sink Model: Custom Stainless Nova Farmhouse Sink
- Metal: 16-Gauge Type 316 Stainless Steel
- Finish: Select Stainless Finish
- Overall dimensions: 30" x 20-1/2" x 8"
- Inside dimensions: 28" x 17-1/2" x 18"
- Drain Placement: Right Rear - 3.5" Standard
- Installation: Undermount - 1" Perimeter Flange

30  
INCH

SIDE  
VIEW



HAVENS METALS  
NOVA SINK | BRUSHED SS | BRUSHED SS

\*Drawing is to scale



**REVOLUTIONARY**



**HIGHLY VERSATILE**



**LAVISH DESIGNS**

### SELECT ADVANCED SINK ACCESSORIES FOR YOUR SINK

LIFETIME WARRANTY | EASY CARE | ERGONOMIC DESIGN | AMERICAN HANDCRAFTED

#### SELECT ACCESSORIES TO ADD TO YOUR EXISTING SINK ORDER

##### PRO CUTTING BOARD

12-INCH - \$80 -

15-INCH - \$100 -

18-INCH - \$120 -

##### MIXING BOWL BOARD

12-INCH - \$80 -

15-INCH - \$100 -

18-INCH - \$120 -

##### SELECT FINISH

AMBER BAMBOO -

LIGHT BAMBOO -

POLY WHITE -

POLY BLACK -

##### TRIPLE SERVE BOARD

12-INCH - \$80 -

15-INCH - \$100 -

18-INCH - \$120 -

##### BOWL & DOUBLE CONTAINER BOARD

12-INCH - \$80 -

15-INCH - \$100 -

18-INCH - \$120 -

##### STAINLESS DRYING RACK

12-INCH - \$250 -

15-INCH - \$280 -

18-INCH - \$320 -

##### STAINLESS DROP IN STRAINER

12-INCH - \$350 -

15-INCH - \$400 -

18-INCH - \$450 -

##### STAINLESS DROP IN BOWL

12-INCH - \$450 -

15-INCH - \$500 -

18-INCH - \$550 -

STAINLESS SPONGE CADDY - \$160 -

SEGMENTED SINK COVER - \$250 -

STAINLESS BASIN GRATE - \$500 -