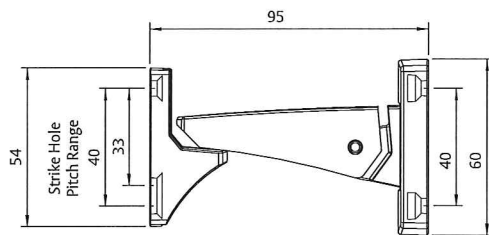
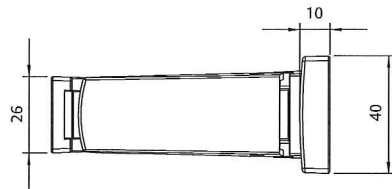
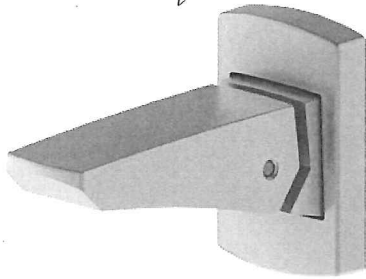


Steadfast Holdback Door Stop

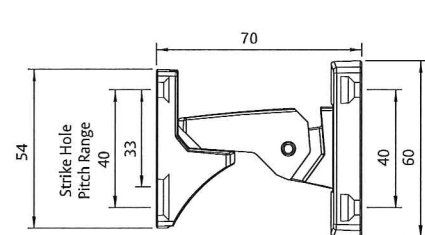
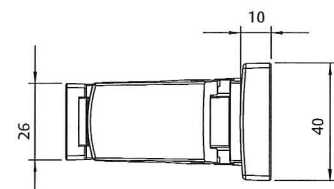
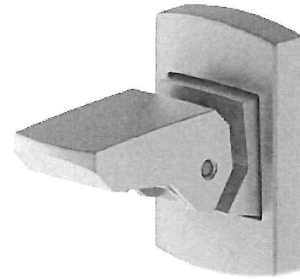
Hinged Door Accessories

INTERLOCK™
ASSA ABLOY

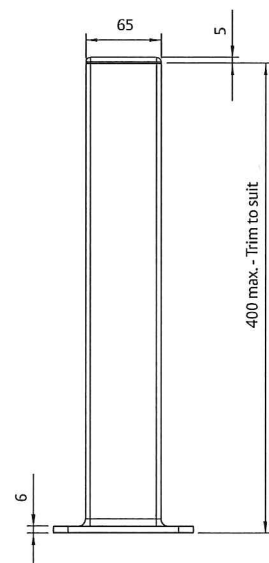
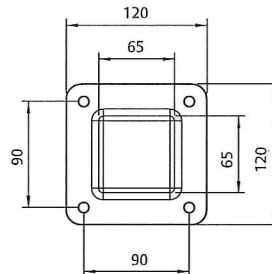
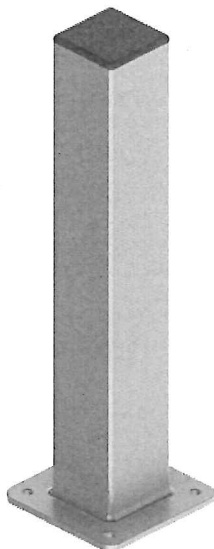
Door Mount



Door Mount Short Arm



Floor Post



RES-FLX-087 0513NZ

ASSA ABLOY New Zealand Ltd.
6 Armstrong Road, Albany, Auckland 0632
info.nz@assaabloy.com
www.assaabloy.co.nz

ASSA ABLOY Australia Pty Ltd.
235 Huntingdale Road, Oakleigh, Victoria 3166
info.au@assaabloy.com
www.assaabloy.com.au

ASSA ABLOY, the global leader
in door opening solutions.

Steadfast Holdback Door Stop Range

Hinged Door Accessories

INTERLOCK™

ASSA ABLOY

ASSA ABLOY, the global leader in door opening solutions.

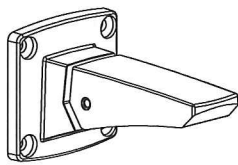
Installation Instructions

Application: Designed to cushion the opening of hinged and folding doors and hold them open.

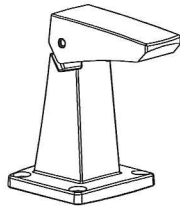
Tools Required:

- Drill
- Pencil
- Tape Measure
- Screwdriver

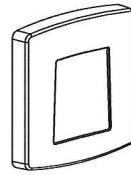
Pack Contents:



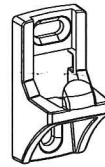
Wall Mount Base and Arm



Floor Mount Base and Arm



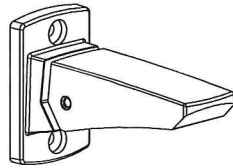
Wall or Floor Mount Screw Cover



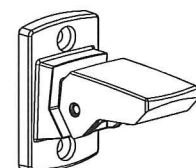
Strike



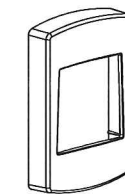
Bumper



Door Mount Base and Arm



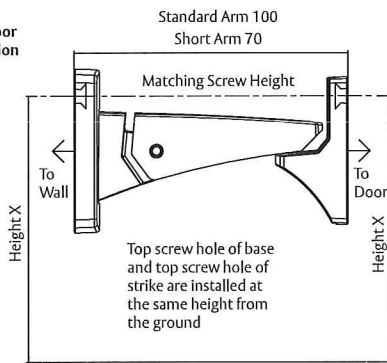
Door Mount Base and Short Arm



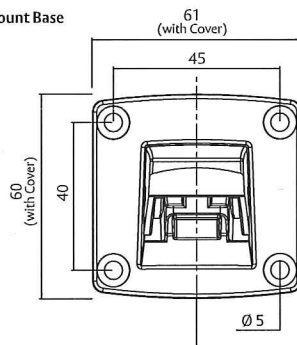
Door Mount Screw Cover

Installation Dimensions:

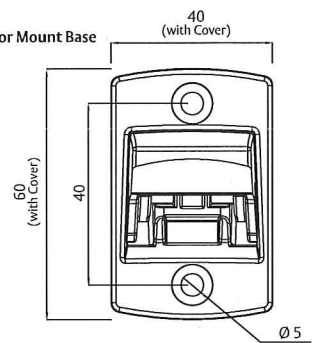
Wall and Door Mount Version



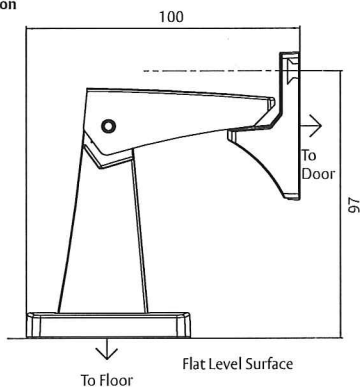
Wall Mount Base



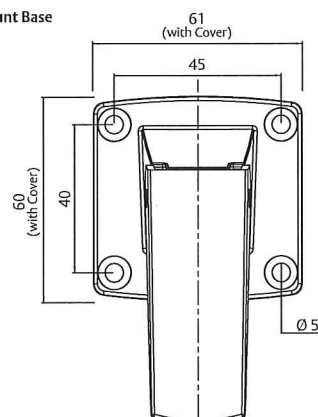
Door Mount Base



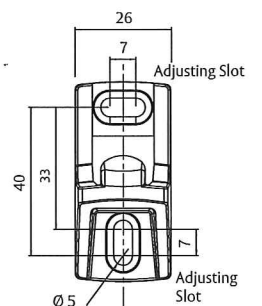
Floor Mount Version



Floor Mount Base

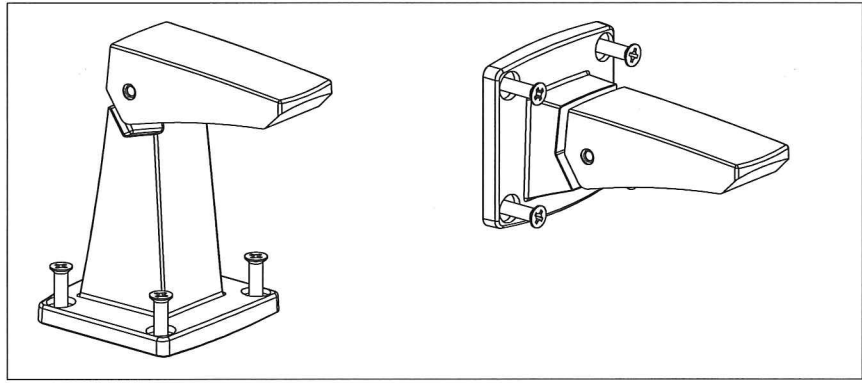


Strike



1. Fixing Base

- Check strike will fit on door before fixing
- Fix base to floor or wall



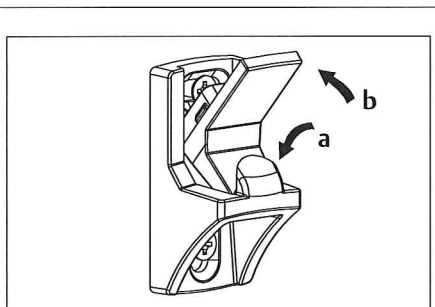
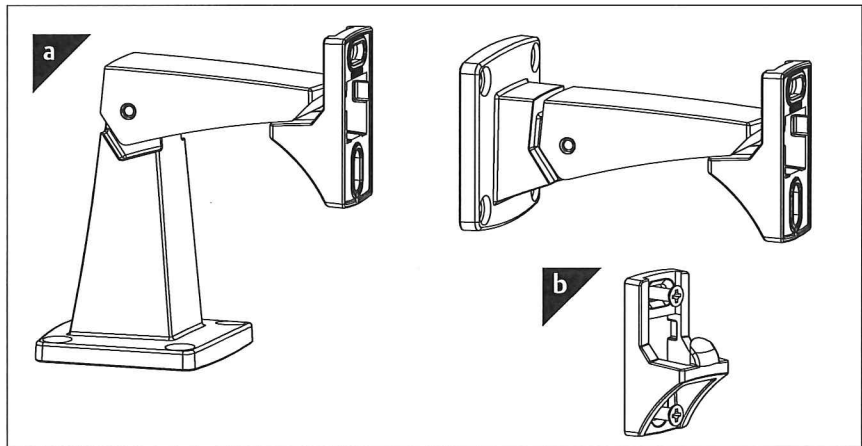
2. Fixing Strike

a) Position strike

- See *Installation Tips* for correct strike position
- Mark screw holes on door

b) Fix strike

- Drill strike screw holes
- Fix strike in place

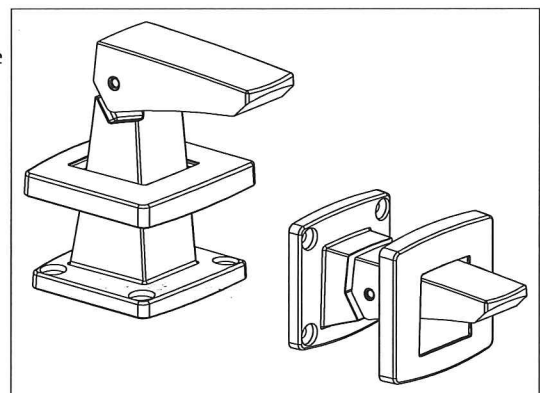


3. Fitting Rubber Bumper

- Place rubber bumper into recess (a)
- Push bumper down and back (b)

4. Fitting Screw Cover

- Press screw cover over base



Installation Tips

- Keep arm level when installing the strike (at rest position)

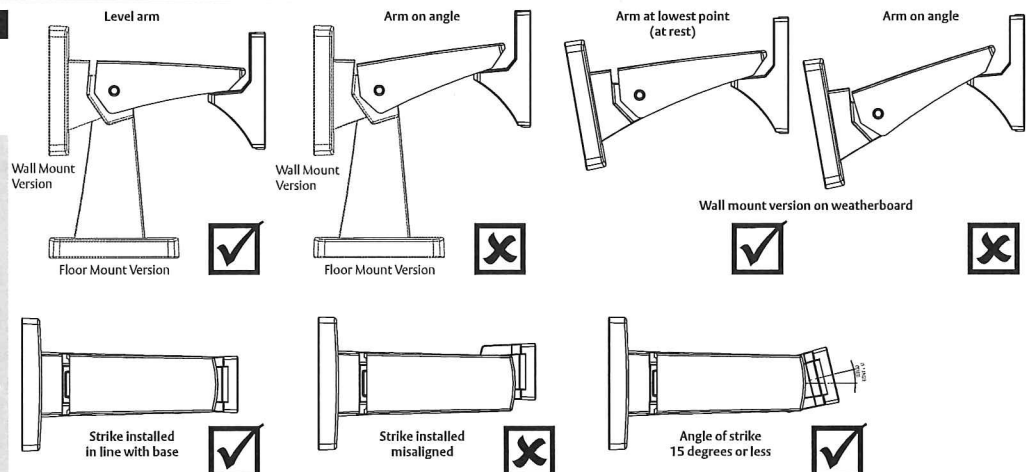
Adjust if necessary

To adjust strike up/down

- Remove **top** strike screw
- Loosen bottom screw and adjust
- Re-drill **top** screw hole and fix in place

To adjust strike side to side

- Remove **bottom** strike screw
- Loosen top screw and adjust
- Re-drill **bottom** screw hole and fix in place



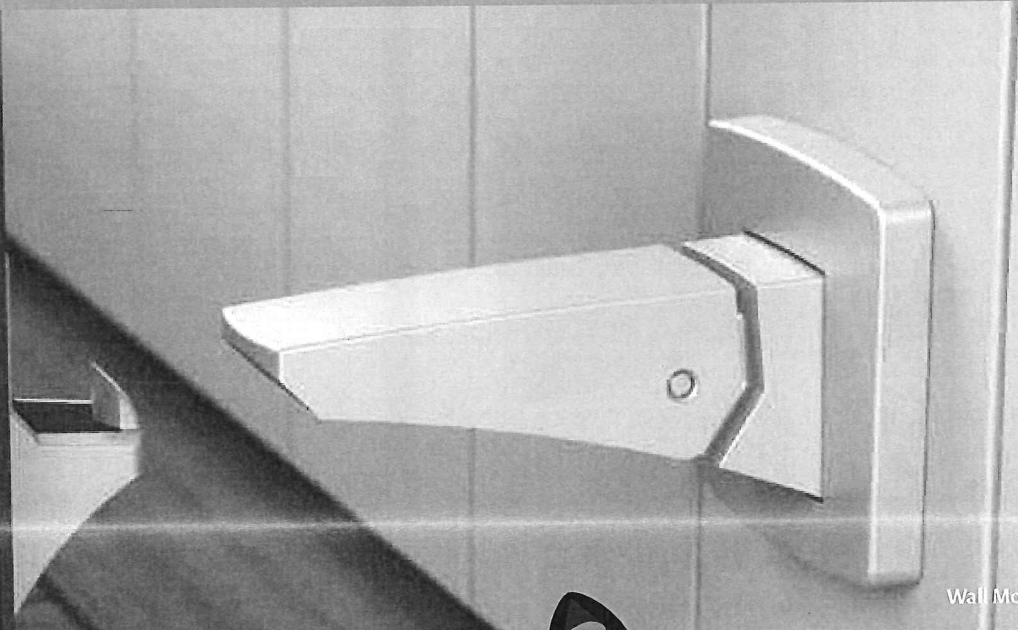
Steadfast Holdback Door Stop

Hinged Door Accessories

INTERLOCK™

ASSA ABLOY

ASSA ABLOY, the global leader
in door opening solutions.



Wall Mount



The Steadfast Holdback Door Stop range is designed to cushion the opening of hinged and folding doors and hold them open. Its innovative, sleek and robust design removes the need to bend down to the floor to latch or release the door. With a variety of mounting options, the Steadfast range is suitable for all situations where a door stop is required.

Features

- Self-latching
- Toe-operated release (except short version) means no bending down
- Sleek, robust design
- Concealed screw fixings
- Suitable for internal and external applications
- New Zealand made

Options

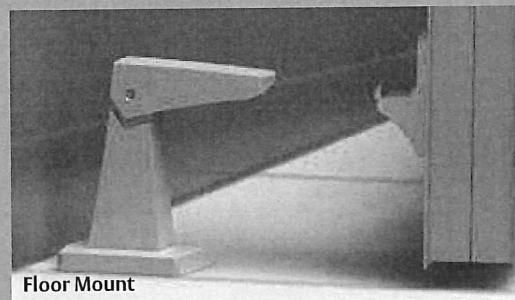
- Available in a range of powdercoat colours and satin chrome
- Floor, wall and door mount versions available
- Short version for between door panels



Floor Post



Door Mount Short Arm



Floor Mount

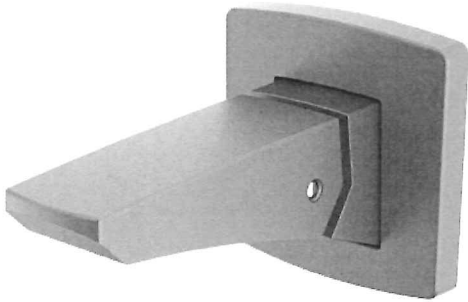
Steadfast Holdback Door Stop

Hinged Door Accessories

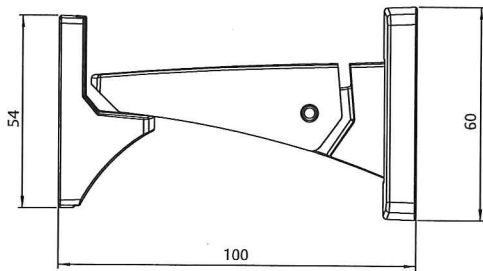
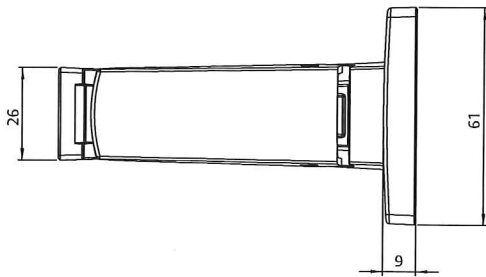
INTERLOCK™

ASSA ABLOY

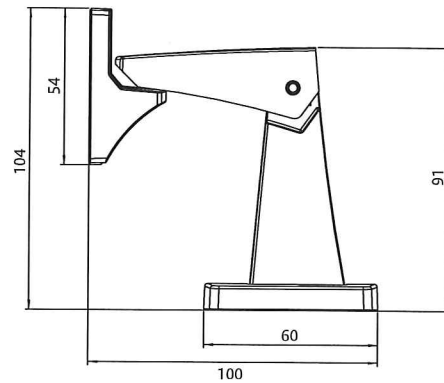
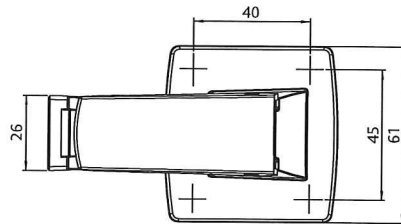
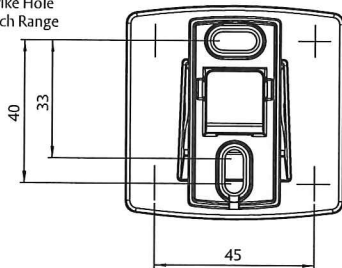
Wall Mount



Floor Mount



Strike Hole Pitch Range



Strike Hole Pitch Range

