

PERGOLA INFORMATION

01

Preparation

- If required, clear & level the site where the pergola is to be positioned
- Make sure there is sufficient space for the fitting of the ledger board on the exterior wall
- Measure the area of ground where the pergola is to be situated, identify where the posts will be and mark their exact position
- Check that there are no underlying utilities (eg: water/gas/drainage or sewerage pipes or electricity cables) that could be damaged
- Check that any windows or doors will not be impeded by the pergola - once assembled

02

Top Tips

- Gather all the required tools before assembly commences.
- Stain all timber prior to erection.
- Ensure all posts are secure & level.
- Ensure to double-check all steps are completed

03

Tools

- Step Ladder
- Tape Measure
- Spirit level
- Builder's square
- Mallet
- Cordless Combi Drill
- Set of drill bits for above

04

Safety

Erecting your pergola is extremely rewarding and exciting. But we do advise taking health & safety very seriously when erecting it. We recommend seeking professional trade advice when unsure of any aspect of the install.

Here are some key hints to keep your work space accident free:

- Over ambitiousness is a big cause of accidents. If you feel it's beyond your ability please seek advice from a trained individual.
- Carry out safety checks, don't rush anything.
- Ensure to wear the suitable PPE.
- Ladder safety, please follow the manufacturer's manual.
- Keep the working area clean & tidy.

PERGOLA INFORMATION

05

PPE

- Eye protection
- Steel toe caps
- Gloves
- Ear defenders

06

Fixings

- A - 150mm Screws
- B - 100mm Screws
- C - 50mm Nails (Roof Cladding)

07

Thank you for your purchase!

Important: Ruby UK LTD has produced this basic information guide on how to assemble and construct your pergola. The information is provided for use on the strict understanding that Ruby UK LTD is not liable for any loss or damage which is suffered or incurred (including but not limited to indirect or consequential loss) for any personal injury or damage to property suffered or sustained as a result of using the information contained in these guidelines.

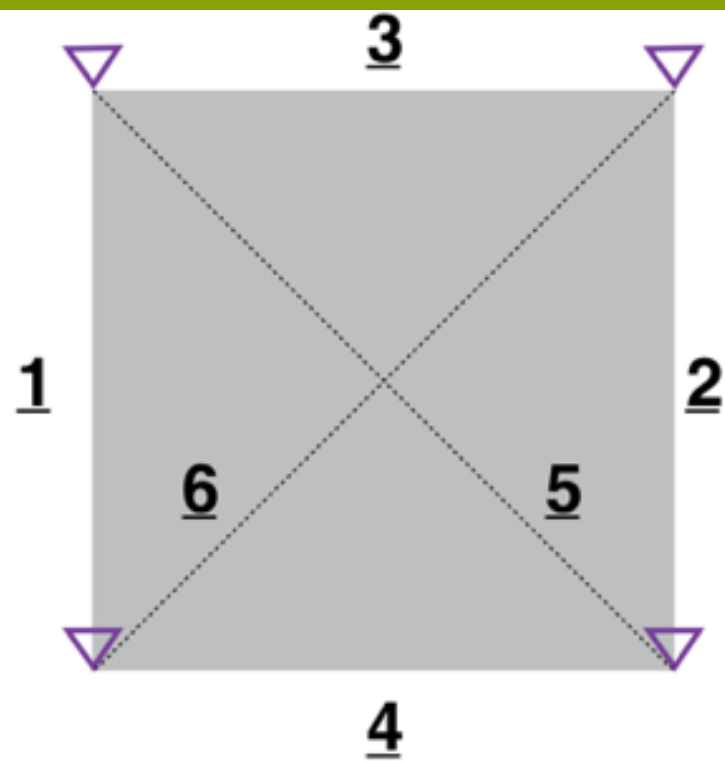
Ruby UK LTD recommends you to contact and seek the full advices of a qualified professional tradesperson, such as an electrician or plumber, where expert services are required and to independently assess any health and safety precautions that will need to be followed or adhered to prior to using the information provided by this guide.

WWW.RUBY-GROUP.CO.UK

01409 231 763

Sales@ruby-group.co.uk

PERGOLA INSTALLTION



STEP 1 - PREPARATION

- Mark out the the pergola footings. Using temporary stakes and string
- Lines 1&2 to be equal
- Lines 3&4 to be equal
- Lines 5&6 to be equal
- When all lines are confirmed as equal mark the location of the posts.

STEP 2 - SECURING THE POSTS

Whenever you choose, ensure the posts are level, square and secure.

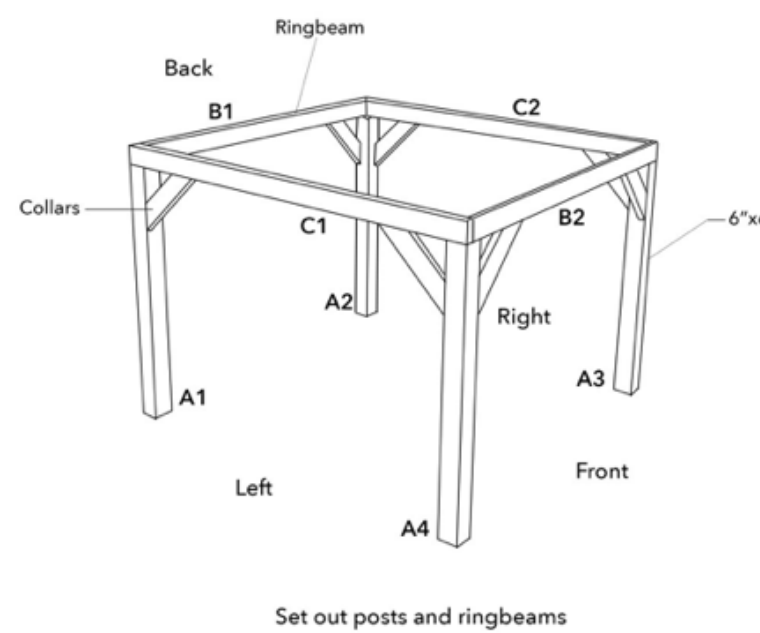
Use a plumb line and spirit level to ensure the posts are straight and upright.

Options

1. Drive in spikes
2. Met posts
3. Post-crete



PERGOLA INFORMATION



STEP 3- ATTACH THE TOP FRAME

Attach the four top frames 150mm x 47mm to the 4 posts.

Secure components B1 and B2 to the top of the 6x6 posts,

A1 - A4, at the front and the back of the pergola

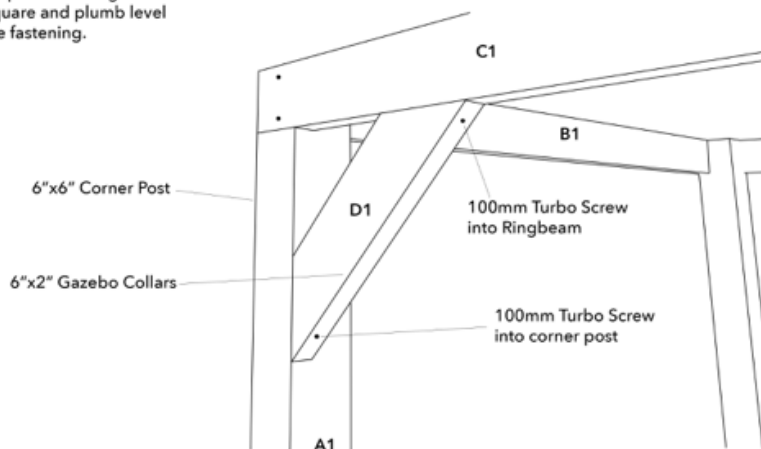
Secure components C1 and C2 to the top of the 6x6 posts using the 150mm screws as shown in the diagram the left and right sides.

STEP 4- ATTACH THE COLLARS

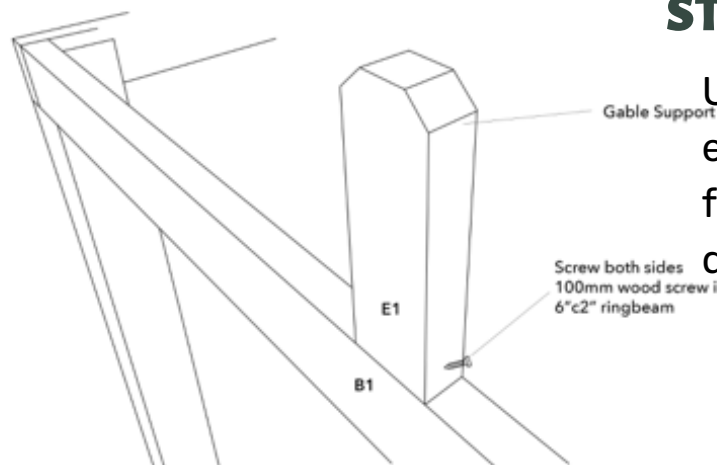
Using 100mm screws fasten the collars labelled D1 - D10, to the 6x6 posts labelled A1 - A4 to the upper frame labelled as B1 - B2 and C1 - C2.

Before fixing in place please ensure the collars are square to the other components

Fixing Collars
Check posts and ringbeams are square and plumb level before fastening.



Fixing Gable Supports



STEP 5- ATTACH GABLE ENDS

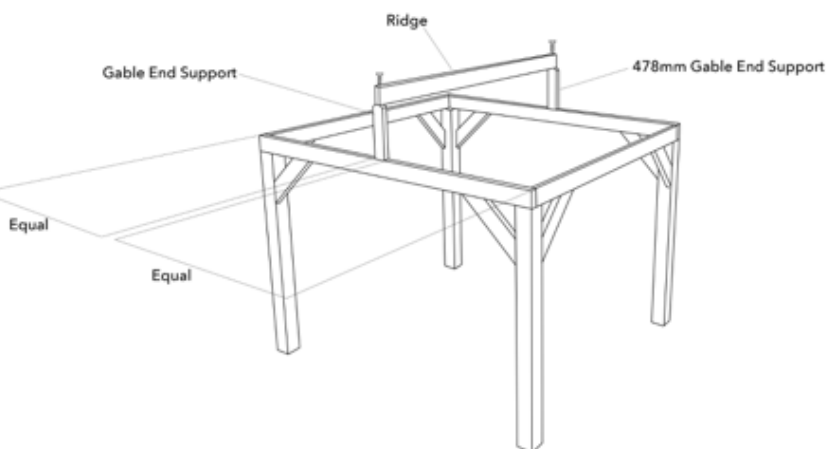
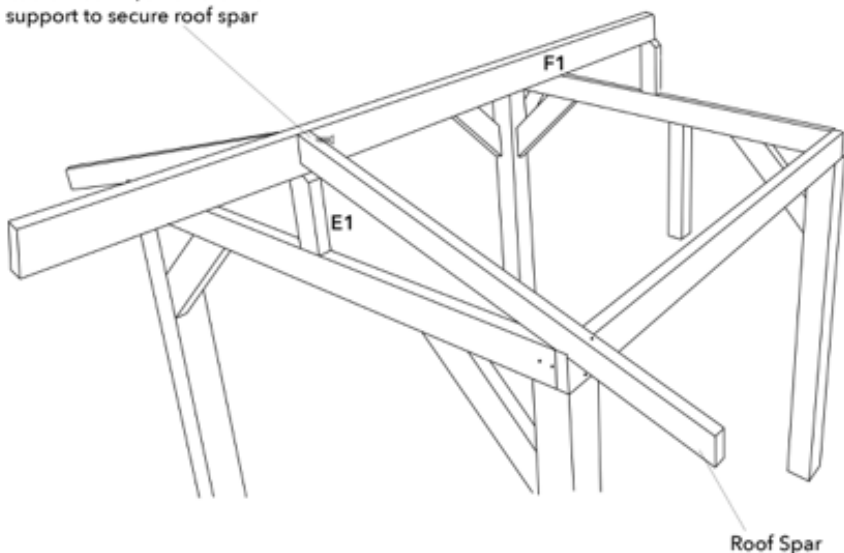
Using 100mm screws secure the gable ends labelled as E1 - E2 to the upper frame parts B1 and B2 as shown in the diagram.

STEP 6- ATTACH ROOF BEAM

Using 150mm screws, screw straight down through the roof support labelled F1 into the roof gables E1 - E2 as shown in the diagram

Fixing Roof Spars

100mm screw, screwed into roof support to secure roof spar



STEP 6- ROOF SPARS

Use 150mm screws to fasten the roof spars, components G1 - G20, to the upper frame C1 before using 100mm screws to attach the roof spars to the roof support screwing through F1 into G1 - G5 to secure the roof spars.

Use 150mm screws to fasten roof spars, components G1 - G20, to the upper frame C2 before using 100mm screws to attach the roof spars to the roof support screwing at downwards angle through components G6 - G10 into the roof support F1 as shown in the diagram.

NEED SOME ADDITIONAL ADVICE?



Call Us

Call us on
01409 231 763



Email Us

Email us at
sales@ruby-group.co.uk



Live Chat

Jump on our live chat
via the website