

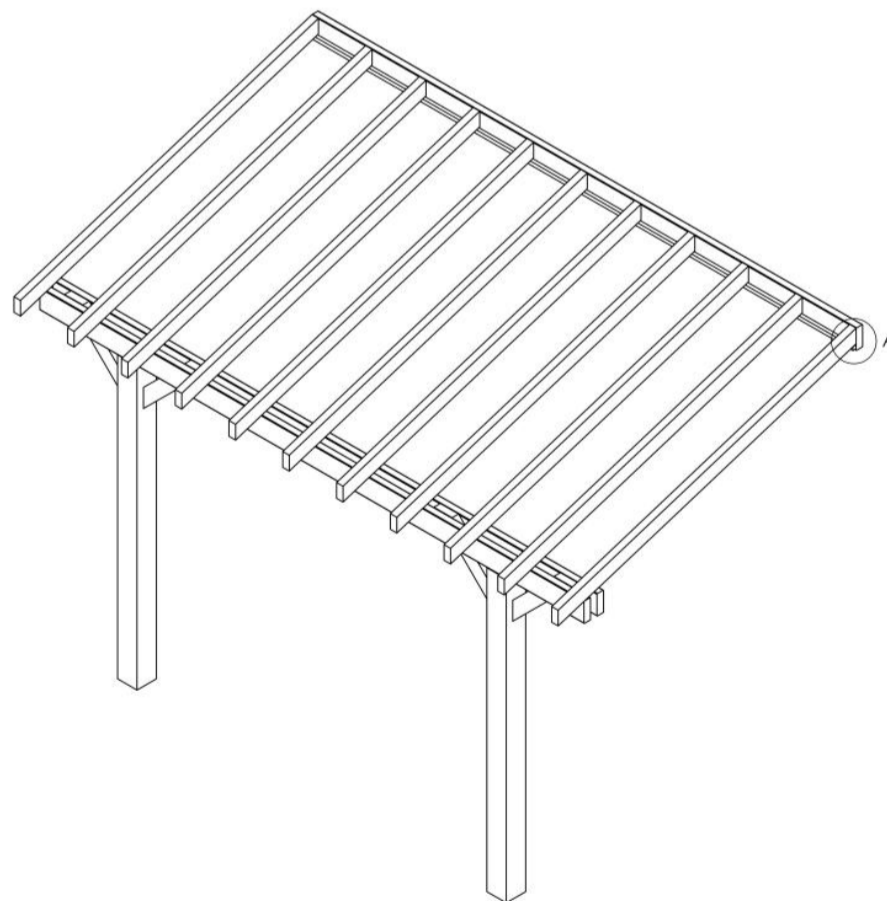


Thank you for purchasing your Pergola from Ruby. Simply follow these step by step instructions and our top tips and you'll be enjoying your Pergola for many years to come. If you have any questions or need advice, our friendly team is here to help.

Open Roof Lean-To

Assembly Instructions

For all sizes of Ruby Pergolas



Missing Something?

Call our aftersales team on
01409 231 763—Option 1

Need More Information?

Call our technical team on
01409 231 763—Option 2

Visit our website for more information

www.ruby-group.co.uk

Parts List and Sizing Guide

To ensure you have all the parts needed for your pergola, follow these steps:

1 Determine the Size of Your Pergola:

- Click the link below that corresponds to the length of your pergola.
- This will direct you to a table listing all available sizes for that length.
- The tables will show the quantity of each individual part required for your pergola.

2 Check Your Parts:

- Use the tables to verify that you have all the necessary parts before you start assembling your pergola.

3 Check Your Roofing:

- If you've ordered a roofed pergola, once these steps have been completed, please check out our Roofing Instructions out for information on how to install the chosen roofing

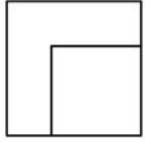

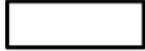



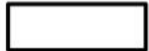


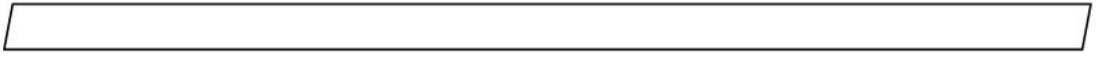
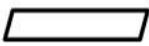

Note: This manual covers the basic construction of a Lean-To pergola. If you have a roofing, please refer to the roofing manual, which includes instructions for all roofing types.

Table of Contents

Timber Parts List.....	3
Cut List by Length	
2.4m.....	4
2.7m.....	6
3.0m.....	8
3.3m.....	11
3.6m.....	13
3.9m.....	15
4.2m.....	18
4.5m.....	20
4.8m.....	22
5.1m.....	25
5.4m.....	27
5.7m.....	29
6.0m.....	32
Preparation and Tools needed.....	35
Care and Attention Before Starting.....	36
Construction.....	37

Timber Parts List

Quantities and lengths of timber parts will vary dependent on the size of your Lean-To. The assembly instructions however are identical for all Lean-To sizes.

6" x 6" post		Item Code A	
6" x 2" Front 2 Ring Beams		B	
6" x 2" Upper Roof Ridge		D	
4" x 2" Ring Beam Support		E	
4" x 2" Roof Rafter		G	
L6" x 1" Rafter fascia Board		F	

Fixings Part List

Quantities of fixings will vary dependent on the size of your pergola. The assembly instructions, however, are identical for all pergola sizes.

6mm Wood Screw 150mm nom length	
5mm Wood Screw 100mm nom length	

2.4m Long x 1.8m Wide

Product Name	Length (mm)	Item Code	QTY
6" x 6" Post	2320	A	2
4" x 2" Ring Beam Supports	700	B	4
4" x 2" Roof Rafters	2263.4	D	6
6"x2" Front 2 Ring Beams	2400	E	2
6"x2" Upper Roof Ridge	2400	G	1
6" x 1" Rafter Fascia Board	2400	F	1
Screws 6x150			32
Screws 5x100			22

2.4m Long x 2.1m Wide

Product Name	Length (mm)	Item Code	QTY
6" x 6" Post	2320	A	2
4" x 2" Ring Beam Supports	700	B	4
4" x 2" Roof Rafters	2547.6	D	6
6"x2" Front 2 Ring Beams	2400	E	2
6"x2" Upper Roof Ridge	2400	G	1
6" x 1" Rafter Fascia Board	2400	F	1
Screws 6x150			32
Screws 5x100			22

2.4m Long x 2.4m Wide

Product Name	Length (mm)	Item Code	QTY
6" x 6" Post	2320	A	2
4" x 2" Ring Beam Supports	700	B	4
4" x 2" Roof Rafters	2835.6	D	6
6"x2" Front 2 Ring Beams	2400	E	2
6"x2" Upper Roof Ridge	2400	G	1
6" x 1" Rafter Fascia Board	2400	F	1
Screws 6x150			32
Screws 5x100			22

2.4m Long x 2.7m Wide

Product Name	Length (mm)	Item Code	QTY
6" x 6" Post	2320	A	2
4" x 2" Ring Beam Supports	700	B	4
4" x 2" Roof Rafters	2835.6	D	6
6"x2" Front 2 Ring Beams	2400	E	2
6"x2" Upper Roof Ridge	2400	G	1
6" x 1" Rafter Fascia Board	2400	F	1
Screws 6x150			32
Screws 5x100			22

2.4m Long x 3.0m Wide

Product Name	Length (mm)	Item Code	QTY
6" x 6" Post	2320	A	2
4" x 2" Ring Beam Supports	700	B	4
4" x 2" Roof Rafters	3418.6	D	6
6"x2" Front 2 Ring Beams	2400	E	2
6"x2" Upper Roof Ridge	2400	G	1
6" x 1" Rafter Fascia Board	2400	F	1
Screws 6x150			32
Screws 5x100			22

2.4m Long x 3.3m Wide

Product Name	Length (mm)	Item Code	QTY
6" x 6" Post	2320	A	2
4" x 2" Ring Beam Supports	700	B	4
4" x 2" Roof Rafters	3712.4	D	6
6"x2" Front 2 Ring Beams	2400	E	2
6"x2" Upper Roof Ridge	2400	G	1
6" x 1" Rafter Fascia Board	2400	F	1
Screws 6x150			32
Screws 5x100			22

2.4m Long x 3.6m Wide

Product Name	Length (mm)	Item Code	QTY
6" x 6" Post	2320	A	2
4" x 2" Ring Beam Supports	700	B	4
4" x 2" Roof Rafters	4007.2	D	6
6"x2" Front 2 Ring Beams	2400	E	2
6"x2" Upper Roof Ridge	2400	G	1
6" x 1" Rafter Fascia Board	2400	F	1
Screws 6x150			32
Screws 5x100			22

2.7m Long x 1.8m Wide

Product Name	Length (mm)	Item Code	QTY
6" x 6" Post	2320	A	2
4" x 2" Ring Beam Supports	700	B	4
4" x 2" Roof Rafters	2263.4	D	6
6"x2" Front 2 Ring Beams	2700	E	2
6"x2" Upper Roof Ridge	2700	G	1
6" x 1" Rafter Fascia Board	2700	F	1
Screws 6x150			32
Screws 5x100			22

2.7m Long x 2.1m Wide

Product Name	Length (mm)	Item Code	QTY
6" x 6" Post	2320	A	2
4" x 2" Ring Beam Supports	700	B	4
4" x 2" Roof Rafters	2547.6	D	6
6"x2" Front 2 Ring Beams	2700	E	2
6"x2" Upper Roof Ridge	2700	G	1
6" x 1" Rafter Fascia Board	2700	F	1
Screws 6x150			32
Screws 5x100			22

2.7m Long x 2.4m Wide

Product Name	Length (mm)	Item Code	QTY
6" x 6" Post	2320	A	2
4" x 2" Ring Beam Supports	700	B	4
4" x 2" Roof Rafters	2835.6	D	6
6"x2" Front 2 Ring Beams	2700	E	2
6"x2" Upper Roof Ridge	2700	G	1
6" x 1" Rafter Fascia Board	2700	F	1
Screws 6x150			32
Screws 5x100			22

2.7m Long x 2.7m Wide

Product Name	Length (mm)	Item Code	QTY
6" x 6" Post	2320	A	2
4" x 2" Ring Beam Supports	700	B	4
4" x 2" Roof Rafters	3126.2	D	6
6"x2" Front 2 Ring Beams	2700	E	2
6"x2" Upper Roof Ridge	2700	G	1
6" x 1" Rafter Fascia Board	2700	F	1
Screws 6x150			32
Screws 5x100			22

2.7m Long x 3.0m Wide

Product Name	Length (mm)	Item Code	QTY
6" x 6" Post	2320	A	2
4" x 2" Ring Beam Supports	700	B	4
4" x 2" Roof Rafters	3418.6	D	6
6"x2" Front 2 Ring Beams	2700	E	2
6"x2" Upper Roof Ridge	2700	G	1
6" x 1" Rafter Fascia Board	2700	F	1
Screws 6x150			32
Screws 5x100			22

2.7m Long x 3.3m Wide

Product Name	Length (mm)	Item Code	QTY
6" x 6" Post	2320	A	2
4" x 2" Ring Beam Supports	700	B	4
4" x 2" Roof Rafters	3712.4	D	6
6"x2" Front 2 Ring Beams	2700	E	2
6"x2" Upper Roof Ridge	2700	G	1
6" x 1" Rafter Fascia Board	2700	F	1
Screws 6x150			32
Screws 5x100			22

2.7m Long x 3.6m Wide

Product Name	Length (mm)	Item Code	QTY
6" x 6" Post	2320	A	2
4" x 2" Ring Beam Supports	700	B	4
4" x 2" Roof Rafters	4007.2	D	6
6"x2" Front 2 Ring Beams	2700	E	2
6"x2" Upper Roof Ridge	2700	G	1
6" x 1" Rafter Fascia Board	2700	F	1
Screws 6x150			32
Screws 5x100			22

3.0m Long x 1.8m Wide

Product Name	Length (mm)	Item Code	QTY
6" x 6" Post	2320	A	2
4" x 2" Ring Beam Supports	700	B	4
4" x 2" Roof Rafters	2263.4	D	7
6"x2" Front 2 Ring Beams	3000	E	2
6"x2" Upper Roof Ridge	3000	G	1
6" x 1" Rafter Fascia Board	3000	F	1
Screws 6x150			36
Screws 5x100			23

3.0m Long x 2.1m Wide

Product Name	Length (mm)	Item Code	QTY
6" x 6" Post	2320	A	2
4" x 2" Ring Beam Supports	700	B	4
4" x 2" Roof Rafters	2547.6	D	7
6"x2" Front 2 Ring Beams	3000	E	2
6"x2" Upper Roof Ridge	3000	G	1
6" x 1" Rafter Fascia Board	3000	F	1
Screws 6x150			36
Screws 5x100			23

3.0m Long x 2.4m Wide

Product Name	Length (mm)	Item Code	QTY
6" x 6" Post	2320	A	2
4" x 2" Ring Beam Supports	700	B	4
4" x 2" Roof Rafters	2835.6	D	7
6"x2" Front 2 Ring Beams	3000	E	2
6"x2" Upper Roof Ridge	3000	G	1
6" x 1" Rafter Fascia Board	3000	F	1
Screws 6x150			36
Screws 5x100			23

3.0m Long x 2.7m Wide

Product Name	Length (mm)	Item Code	QTY
6" x 6" Post	2320	A	2
4" x 2" Ring Beam Supports	700	B	4
4" x 2" Roof Rafters	3126.2	D	7
6"x2" Front 2 Ring Beams	3000	E	2
6"x2" Upper Roof Ridge	3000	G	1
6" x 1" Rafter Fascia Board	3000	F	1
Screws 6x150			36
Screws 5x100			23

3.0m Long x 3.0m Wide

Product Name	Length (mm)	Item Code	QTY
6" x 6" Post	2320	A	2
4" x 2" Ring Beam Supports	700	B	4
4" x 2" Roof Rafters	3418.6	D	7
6"x2" Front 2 Ring Beams	3000	E	2
6"x2" Upper Roof Ridge	3000	G	1
6" x 1" Rafter Fascia Board	3000	F	1
Screws 6x150			36
Screws 5x100			23

3.0m Long x 3.3m Wide

Product Name	Length (mm)	Item Code	QTY
6" x 6" Post	2320	A	2
4" x 2" Ring Beam Supports	700	B	4
4" x 2" Roof Rafters	3712.4	D	7
6"x2" Front 2 Ring Beams	3000	E	2
6"x2" Upper Roof Ridge	3000	G	1
6" x 1" Rafter Fascia Board	3000	F	1
Screws 6x150			36
Screws 5x100			23

3.0m Long x 3.6m Wide

Product Name	Length (mm)	Item Code	QTY
6" x 6" Post	2320	A	2
4" x 2" Ring Beam Supports	700	B	4
4" x 2" Roof Rafters	4007.2	D	7
6"x2" Front 2 Ring Beams	3000	E	2
6"x2" Upper Roof Ridge	3000	G	1
6" x 1" Rafter Fascia Board	3000	F	1
Screws 6x150			36
Screws 5x100			23

3.3m Long x 1.8m Wide

Product Name	Length (mm)	Item Code	QTY
6" x 6" Post	2320	A	2
4" x 2" Ring Beam Supports	700	B	4
4" x 2" Roof Rafters	2263.4	D	8
6"x2" Front 2 Ring Beams	3300	E	2
6"x2" Upper Roof Ridge	3300	G	1
6" x 1" Rafter Fascia Board	3300	F	1
Screws 6x150			40
Screws 5x100			24

3.3m Long x 2.1m Wide

Product Name	Length (mm)	Item Code	QTY
6" x 6" Post	2320	A	2
4" x 2" Ring Beam Supports	700	B	4
4" x 2" Roof Rafters	2547.6	D	8
6"x2" Front 2 Ring Beams	3300	E	2
6"x2" Upper Roof Ridge	3300	G	1
6" x 1" Rafter Fascia Board	3300	F	1
Screws 6x150			40
Screws 5x100			24

3.3m Long x 2.4m Wide

Product Name	Length (mm)	Item Code	QTY
6" x 6" Post	2320	A	2
4" x 2" Ring Beam Supports	700	B	4
4" x 2" Roof Rafters	2835.6	D	8
6"x2" Front 2 Ring Beams	3300	E	2
6"x2" Upper Roof Ridge	3300	G	1
6" x 1" Rafter Fascia Board	3300	F	1
Screws 6x150			40
Screws 5x100			24

3.3m Long x 2.7m Wide

Product Name	Length (mm)	Item Code	QTY
6" x 6" Post	2320	A	2
4" x 2" Ring Beam Supports	700	B	4
4" x 2" Roof Rafters	3126.2	D	8
6"x2" Front 2 Ring Beams	3300	E	2
6"x2" Upper Roof Ridge	3300	G	1
6" x 1" Rafter Fascia Board	3300	F	1
Screws 6x150			40
Screws 5x100			24

3.3m Long x 3.0m Wide

Product Name	Length (mm)	Item Code	QTY
6" x 6" Post	2320	A	2
4" x 2" Ring Beam Supports	700	B	4
4" x 2" Roof Rafters	3418.6	D	8
6"x2" Front 2 Ring Beams	3300	E	2
6"x2" Upper Roof Ridge	3300	G	1
6" x 1" Rafter Fascia Board	3300	F	1
Screws 6x150			40
Screws 5x100			24

3.3m Long x 3.3m Wide

Product Name	Length (mm)	Item Code	QTY
6" x 6" Post	2320	A	2
4" x 2" Ring Beam Supports	700	B	4
4" x 2" Roof Rafters	3712.4	D	8
6"x2" Front 2 Ring Beams	3300	E	2
6"x2" Upper Roof Ridge	3300	G	1
6" x 1" Rafter Fascia Board	3300	F	1
Screws 6x150			40
Screws 5x100			24

3.3m Long x 3.6m Wide

Product Name	Length (mm)	Item Code	QTY
6" x 6" Post	2320	A	2
4" x 2" Ring Beam Supports	700	B	4
4" x 2" Roof Rafters	4007.2	D	8
6"x2" Front 2 Ring Beams	3300	E	2
6"x2" Upper Roof Ridge	3300	G	1
6" x 1" Rafter Fascia Board	3300	F	1
Screws 6x150			40
Screws 5x100			24

3.6m Long x 1.8m Wide

Product Name	Length (mm)	Item Code	QTY
6" x 6" Post	2320	A	2
4" x 2" Ring Beam Supports	700	B	4
4" x 2" Roof Rafters	2263.4	D	8
6"x2" Front 2 Ring Beams	3600	E	2
6"x2" Upper Roof Ridge	3600	G	1
6" x 1" Rafter Fascia Board	3600	F	1
Screws 6x150			40
Screws 5x100			24

3.6m Long x 2.1m Wide

Product Name	Length (mm)	Item Code	QTY
6" x 6" Post	2320	A	2
4" x 2" Ring Beam Supports	700	B	4
4" x 2" Roof Rafters	2547.6	D	8
6"x2" Front 2 Ring Beams	3600	E	2
6"x2" Upper Roof Ridge	3600	G	1
6" x 1" Rafter Fascia Board	3600	F	1
Screws 6x150			40
Screws 5x100			24

3.6m Long x 2.4m Wide

Product Name	Length (mm)	Item Code	QTY
6" x 6" Post	2320	A	2
4" x 2" Ring Beam Supports	700	B	4
4" x 2" Roof Rafters	2835.6	D	8
6"x2" Front 2 Ring Beams	3600	E	2
6"x2" Upper Roof Ridge	3600	G	1
6" x 1" Rafter Fascia Board	3600	F	1
Screws 6x150			40
Screws 5x100			24

3.6m Long x 2.7m Wide

Product Name	Length (mm)	Item Code	QTY
6" x 6" Post	2320	A	2
4" x 2" Ring Beam Supports	700	B	4
4" x 2" Roof Rafters	3126.2	D	8
6"x2" Front 2 Ring Beams	3600	E	2
6"x2" Upper Roof Ridge	3600	G	1
6" x 1" Rafter Fascia Board	3600	F	1
Screws 6x150			40
Screws 5x100			24

3.6m Long x 3.0m Wide

Product Name	Length (mm)	Item Code	QTY
6" x 6" Post	2320	A	2
4" x 2" Ring Beam Supports	700	B	4
4" x 2" Roof Rafters	3418.6	D	8
6"x2" Front 2 Ring Beams	3600	E	2
6"x2" Upper Roof Ridge	3600	G	1
6" x 1" Rafter Fascia Board	3600	F	1
Screws 6x150			40
Screws 5x100			24

3.6m Long x 3.3m Wide

Product Name	Length (mm)	Item Code	QTY
6" x 6" Post	2320	A	2
4" x 2" Ring Beam Supports	700	B	4
4" x 2" Roof Rafters	3712.4	D	8
6"x2" Front 2 Ring Beams	3600	E	2
6"x2" Upper Roof Ridge	3600	G	1
6" x 1" Rafter Fascia Board	3600	F	1
Screws 6x150			40
Screws 5x100			24

3.6m Long x 3.6m Wide

Product Name	Length (mm)	Item Code	QTY
6" x 6" Post	2320	A	2
4" x 2" Ring Beam Supports	700	B	4
4" x 2" Roof Rafters	4007.2	D	8
6"x2" Front 2 Ring Beams	3600	E	2
6"x2" Upper Roof Ridge	3600	G	1
6" x 1" Rafter Fascia Board	3600	F	1
Screws 6x150			40
Screws 5x100			24

3.9m Long x 1.8m Wide

Product Name	Length (mm)	Item Code	QTY
6" x 6" Post	2320	A	2
4" x 2" Ring Beam Supports	700	B	4
4" x 2" Roof Rafters	2263.4	D	9
6"x2" Front 2 Ring Beams	3900	E	2
6"x2" Upper Roof Ridge	3900	G	1
6" x 1" Rafter Fascia Board	3900	F	1
Screws 6x150			44

3.9m Long x 2.1m Wide

Product Name	Length (mm)	Item Code	QTY
6" x 6" Post	2320	A	2
4" x 2" Ring Beam Supports	700	B	4
4" x 2" Roof Rafters	2547.6	D	9
6"x2" Front 2 Ring Beams	3900	E	2
6"x2" Upper Roof Ridge	3900	G	1
6" x 1" Rafter Fascia Board	3900	F	1
Screws 6x150			44
Screws 5x100			25

3.9m Long x 2.4m Wide

Product Name	Length (mm)	Item Code	QTY
6" x 6" Post	2320	A	2
4" x 2" Ring Beam Supports	700	B	4
4" x 2" Roof Rafters	2835.6	D	9
6"x2" Front 2 Ring Beams	3900	E	2
6"x2" Upper Roof Ridge	3900	G	1
6" x 1" Rafter Fascia Board	3900	F	1
Screws 6x150			44
Screws 5x100			25

3.9m Long x 2.7m Wide

Product Name	Length (mm)	Item Code	QTY
6" x 6" Post	2320	A	2
4" x 2" Ring Beam Supports	700	B	4
4" x 2" Roof Rafters	3126.2	D	9
6"x2" Front 2 Ring Beams	3900	E	2
6"x2" Upper Roof Ridge	3900	G	1
6" x 1" Rafter Fascia Board	3900	F	1
Screws 6x150			44
Screws 5x100			25

3.9m Long x 3.0m Wide

Product Name	Length (mm)	Item Code	QTY
6" x 6" Post	2320	A	2
4" x 2" Ring Beam Supports	700	B	4
4" x 2" Roof Rafters	3418.6	D	9
6"x2" Front 2 Ring Beams	3900	E	2
6"x2" Upper Roof Ridge	3900	G	1
6" x 1" Rafter Fascia Board	3900	F	1
Screws 6x150			44
Screws 5x100			25

3.9m Long x 3.3m Wide

Product Name	Length (mm)	Item Code	QTY
6" x 6" Post	2320	A	2
4" x 2" Ring Beam Supports	700	B	4
4" x 2" Roof Rafters	3712.4	D	9
6"x2" Front 2 Ring Beams	3900	E	2
6"x2" Upper Roof Ridge	3900	G	1
6" x 1" Rafter Fascia Board	3900	F	1
Screws 6x150			44
Screws 5x100			25

3.9m Long x 3.6m Wide

Product Name	Length (mm)	Item Code	QTY
6" x 6" Post	2320	A	2
4" x 2" Ring Beam Supports	700	B	4
4" x 2" Roof Rafters	4007.2	D	9
6"x2" Front 2 Ring Beams	3900	E	2
6"x2" Upper Roof Ridge	3900	G	1
6" x 1" Rafter Fascia Board	3900	F	1
Screws 6x150			44
Screws 5x100			25

4.2m Long x 1.8m Wide

Product Name	Length (mm)	Item Code	QTY
6" x 6" Post	2320	A	3
4" x 2" Ring Beam Supports	700	B	4
4" x 2" Roof Rafters	2263.4	D	10
6"x2" Front 2 Ring Beams	4200	E	2
6"x2" Upper Roof Ridge	4200	G	1
6" x 1" Rafter Fascia Board	4200	F	1
Screws 6x150			48
Screws 5x100			25

4.2m Long x 2.1m Wide

Product Name	Length (mm)	Item Code	QTY
6" x 6" Post	2320	A	3
4" x 2" Ring Beam Supports	700	B	4
4" x 2" Roof Rafters	2547.6	D	10
6"x2" Front 2 Ring Beams	4200	E	2
6"x2" Upper Roof Ridge	4200	G	1
6" x 1" Rafter Fascia Board	4200	F	1
Screws 6x150			48
Screws 5x100			25

4.2m Long x 2.4m Wide

Product Name	Length (mm)	Item Code	QTY
6" x 6" Post	2320	A	3
4" x 2" Ring Beam Supports	700	B	4
4" x 2" Roof Rafters	2835.6	D	9
6"x2" Front 2 Ring Beams	4200	E	2
6"x2" Upper Roof Ridge	4200	G	1
6" x 1" Rafter Fascia Board	4200	F	1
Screws 6x150			48
Screws 5x100			25

4.2m Long x 2.7m Wide

Product Name	Length (mm)	Item Code	QTY
6" x 6" Post	2320	A	3
4" x 2" Ring Beam Supports	700	B	4
4" x 2" Roof Rafters	3126.2	D	10
6"x2" Front 2 Ring Beams	4200	E	2
6"x2" Upper Roof Ridge	4200	G	1
6" x 1" Rafter Fascia Board	4200	F	1
Screws 6x150			48
Screws 5x100			25

4.2m Long x 3.0m Wide

Product Name	Length (mm)	Item Code	QTY
6" x 6" Post	2320	A	3
4" x 2" Ring Beam Supports	700	B	4
4" x 2" Roof Rafters	3418.6	D	10
6"x2" Front 2 Ring Beams	4200	E	2
6"x2" Upper Roof Ridge	4200	G	1
6" x 1" Rafter Fascia Board	4200	F	1
Screws 6x150			48
Screws 5x100			25

4.2m Long x 3.3m Wide

Product Name	Length (mm)	Item Code	QTY
6" x 6" Post	2320	A	3
4" x 2" Ring Beam Supports	700	B	4
4" x 2" Roof Rafters	3712.4	D	9
6"x2" Front 2 Ring Beams	4200	E	2
6"x2" Upper Roof Ridge	4200	G	1
6" x 1" Rafter Fascia Board	4200	F	1
Screws 6x150			48
Screws 5x100			25

4.2m Long x 3.6m Wide

Product Name	Length (mm)	Item Code	QTY
6" x 6" Post	2320	A	3
4" x 2" Ring Beam Supports	700	B	4
4" x 2" Roof Rafters	4007.2	D	10
6"x2" Front 2 Ring Beams	4200	E	2
6"x2" Upper Roof Ridge	4200	G	1
6" x 1" Rafter Fascia Board	4200	F	1
Screws 6x150			48
Screws 5x100			25

4.5m Long x 1.8m Wide

Product Name	Length (mm)	Item Code	QTY
6" x 6" Post	2320	A	3
4" x 2" Ring Beam Supports	700	B	4
4" x 2" Roof Rafters	2263.4	D	10
6"x2" Front 2 Ring Beams	4500	E	2
6"x2" Upper Roof Ridge	4500	G	1
6" x 1" Rafter Fascia Board	4500	F	1
Screws 6x150			52
Screws 5x100			26

4.5m Long x 2.1m Wide

Product Name	Length (mm)	Item Code	QTY
6" x 6" Post	2320	A	3
4" x 2" Ring Beam Supports	700	B	4
4" x 2" Roof Rafters	2547.6	D	10
6"x2" Front 2 Ring Beams	4500	E	2
6"x2" Upper Roof Ridge	4500	G	1
6" x 1" Rafter Fascia Board	4500	F	1
Screws 6x150			52
Screws 5x100			26

4.5m Long x 2.4m Wide

Product Name	Length (mm)	Item Code	QTY
6" x 6" Post	2320	A	3
4" x 2" Ring Beam Supports	700	B	4
4" x 2" Roof Rafters	2835.6	D	10
6"x2" Front 2 Ring Beams	4500	E	2
6"x2" Upper Roof Ridge	4500	G	1
6" x 1" Rafter Fascia Board	4500	F	1
Screws 6x150			52
Screws 5x100			26

4.5m Long x 2.7m Wide

Product Name	Length (mm)	Item Code	QTY
6" x 6" Post	2320	A	3
4" x 2" Ring Beam Supports	700	B	4
4" x 2" Roof Rafters	3126.2	D	10
6"x2" Front 2 Ring Beams	4500	E	2
6"x2" Upper Roof Ridge	4500	G	1
6" x 1" Rafter Fascia Board	4500	F	1
Screws 6x150			52
Screws 5x100			26

4.5m Long x 3.0m Wide

Product Name	Length (mm)	Item Code	QTY
6" x 6" Post	2320	A	3
4" x 2" Ring Beam Supports	700	B	4
4" x 2" Roof Rafters	3418.6	D	10
6"x2" Front 2 Ring Beams	4500	E	2
6"x2" Upper Roof Ridge	4500	G	1
6" x 1" Rafter Fascia Board	4500	F	1
Screws 6x150			52
Screws 5x100			26

4.5m Long x 3.3m Wide

Product Name	Length (mm)	Item Code	QTY
6" x 6" Post	2320	A	3
4" x 2" Ring Beam Supports	700	B	4
4" x 2" Roof Rafters	3712.4	D	10
6"x2" Front 2 Ring Beams	4500	E	2
6"x2" Upper Roof Ridge	4500	G	1
6" x 1" Rafter Fascia Board	4500	F	1
Screws 6x150			52
Screws 5x100			26

4.5m Long x 3.6m Wide

Product Name	Length (mm)	Item Code	QTY
6" x 6" Post	2320	A	3
4" x 2" Ring Beam Supports	700	B	4
4" x 2" Roof Rafters	4007.2	D	10
6"x2" Front 2 Ring Beams	4500	E	2
6"x2" Upper Roof Ridge	4500	G	1
6" x 1" Rafter Fascia Board	4500	F	1
Screws 6x150			52
Screws 5x100			26

4.8m Long x 1.8m Wide

Product Name	Length (mm)	Item Code	QTY
6" x 6" Post	2320	A	3
4" x 2" Ring Beam Supports	700	B	4
4" x 2" Roof Rafters	2263.4	D	11
6"x2" Front 2 Ring Beams	4800	E	2
6"x2" Upper Roof Ridge	4800	G	1
6" x 1" Rafter Fascia Board	4800	F	1
Screws 6x150			56
Screws 5x100			27

4.8m Long x 2.1m Wide

Product Name	Length (mm)	Item Code	QTY
6" x 6" Post	2320	A	3
4" x 2" Ring Beam Supports	700	B	4
4" x 2" Roof Rafters	2547.6	D	11
6"x2" Front 2 Ring Beams	4800	E	2
6"x2" Upper Roof Ridge	4800	G	1
6" x 1" Rafter Fascia Board	4800	F	1
Screws 6x150			56
Screws 5x100			27

4.8m Long x 2.4m Wide

Product Name	Length (mm)	Item Code	QTY
6" x 6" Post	2320	A	3
4" x 2" Ring Beam Supports	700	B	4
4" x 2" Roof Rafters	2835.6	D	11
6"x2" Front 2 Ring Beams	4800	E	2
6"x2" Upper Roof Ridge	4800	G	1
6" x 1" Rafter Fascia Board	4800	F	1
Screws 6x150			56
Screws 5x100			27

4.8m Long x 2.7m Wide

Product Name	Length (mm)	Item Code	QTY
6" x 6" Post	2320	A	3
4" x 2" Ring Beam Supports	700	B	4
4" x 2" Roof Rafters	3126.2	D	11
6"x2" Front 2 Ring Beams	4800	E	2
6"x2" Upper Roof Ridge	4800	G	1
6" x 1" Rafter Fascia Board	4800	F	1
Screws 6x150			56
Screws 5x100			27

4.8m Long x 3.0m Wide

Product Name	Length (mm)	Item Code	QTY
6" x 6" Post	2320	A	3
4" x 2" Ring Beam Supports	700	B	4
4" x 2" Roof Rafters	3418.6	D	11
6"x2" Front 2 Ring Beams	4800	E	2
6"x2" Upper Roof Ridge	4800	G	1
6" x 1" Rafter Fascia Board	4800	F	1
Screws 6x150			56
Screws 5x100			27

4.8m Long x 3.3m Wide

Product Name	Length (mm)	Item Code	QTY
6" x 6" Post	2320	A	3
4" x 2" Ring Beam Supports	700	B	4
4" x 2" Roof Rafters	3712.4	D	11
6"x2" Front 2 Ring Beams	4800	E	2
6"x2" Upper Roof Ridge	4800	G	1
6" x 1" Rafter Fascia Board	4800	F	1
Screws 6x150			56
Screws 5x100			27

4.8m Long x 3.6m Wide

Product Name	Length (mm)	Item Code	QTY
6" x 6" Post	2320	A	3
4" x 2" Ring Beam Supports	700	B	4
4" x 2" Roof Rafters	4007.2	D	11
6"x2" Front 2 Ring Beams	4800	E	2
6"x2" Upper Roof Ridge	4800	G	1
6" x 1" Rafter Fascia Board	4800	F	1
Screws 6x150			56
Screws 5x100			27

5.1m Long x 1.8m Wide

Product Name	Length (mm)	Item Code	QTY
6" x 6" Post	2320	A	3
4" x 2" Ring Beam Supports	700	B	4
4" x 2" Roof Rafters	2263.4	D	12
6"x2" Front 2 Ring Beams	5100	E	2
6"x2" Upper Roof Ridge	5100	G	1
6" x 1" Rafter Fascia Board	5100	F	1
Screws 6x150			60
Screws 5x100			28

5.1m Long x 2.1m Wide

Product Name	Length (mm)	Item Code	QTY
6" x 6" Post	2320	A	3
4" x 2" Ring Beam Supports	700	B	4
4" x 2" Roof Rafters	2547.6	D	12
6"x2" Front 2 Ring Beams	5100	E	2
6"x2" Upper Roof Ridge	5100	G	1
6" x 1" Rafter Fascia Board	5100	F	1
Screws 6x150			60
Screws 5x100			28

5.1m Long x 2.4m Wide

Product Name	Length (mm)	Item Code	QTY
6" x 6" Post	2320	A	3
4" x 2" Ring Beam Supports	700	B	4
4" x 2" Roof Rafters	2835.6	D	12
6"x2" Front 2 Ring Beams	5100	E	2
6"x2" Upper Roof Ridge	5100	G	1
6" x 1" Rafter Fascia Board	5100	F	1
Screws 6x150			60
Screws 5x100			28

5.1m Long x 2.7m Wide

Product Name	Length (mm)	Item Code	QTY
6" x 6" Post	2320	A	3
4" x 2" Ring Beam Supports	700	B	4
4" x 2" Roof Rafters	3126.2	D	12
6"x2" Front 2 Ring Beams	5100	E	2
6"x2" Upper Roof Ridge	5100	G	1
6" x 1" Rafter Fascia Board	5100	F	1
Screws 6x150			60
Screws 5x100			28

5.1m Long x 3.0m Wide

Product Name	Length (mm)	Item Code	QTY
6" x 6" Post	2320	A	3
4" x 2" Ring Beam Supports	700	B	4
4" x 2" Roof Rafters	3418.6	D	12
6"x2" Front 2 Ring Beams	5100	E	2
6"x2" Upper Roof Ridge	5100	G	1
6" x 1" Rafter Fascia Board	5100	F	1
Screws 6x150			60
Screws 5x100			28

5.1m Long x 3.3m Wide

Product Name	Length (mm)	Item Code	QTY
6" x 6" Post	2320	A	3
4" x 2" Ring Beam Supports	700	B	4
4" x 2" Roof Rafters	3712.4	D	12
6"x2" Front 2 Ring Beams	5100	E	2
6"x2" Upper Roof Ridge	5100	G	1
6" x 1" Rafter Fascia Board	5100	F	1
Screws 6x150			60
Screws 5x100			28

5.1m Long x 3.6m Wide

Product Name	Length (mm)	Item Code	QTY
6" x 6" Post	2320	A	3
4" x 2" Ring Beam Supports	700	B	4
4" x 2" Roof Rafters	4007.2	D	12
6"x2" Front 2 Ring Beams	5100	E	2
6"x2" Upper Roof Ridge	5100	G	1
6" x 1" Rafter Fascia Board	5100	F	1
Screws 6x150			60
Screws 5x100			28

5.4m Long x 1.8m Wide

Product Name	Length (mm)	Item Code	QTY
6" x 6" Post	2320	A	3
4" x 2" Ring Beam Supports	700	B	4
4" x 2" Roof Rafters	2263.4	D	12
6"x2" Front 2 Ring Beams	5400	E	2
6"x2" Upper Roof Ridge	5400	G	1
6" x 1" Rafter Fascia Board	5400	F	1
Screws 6x150			60
Screws 5x100			28

5.4m Long x 2.1m Wide

Product Name	Length (mm)	Item Code	QTY
6" x 6" Post	2320	A	3
4" x 2" Ring Beam Supports	700	B	4
4" x 2" Roof Rafters	2547.6	D	12
6"x2" Front 2 Ring Beams	5400	E	2
6"x2" Upper Roof Ridge	5400	G	1
6" x 1" Rafter Fascia Board	5400	F	1
Screws 6x150			60
Screws 5x100			28

5.4m Long x 2.4m Wide

Product Name	Length (mm)	Item Code	QTY
6" x 6" Post	2320	A	3
4" x 2" Ring Beam Supports	700	B	4
4" x 2" Roof Rafters	2835.6	D	12
6"x2" Front 2 Ring Beams	5400	E	2
6"x2" Upper Roof Ridge	5400	G	1
6" x 1" Rafter Fascia Board	5400	F	1
Screws 6x150			60
Screws 5x100			28

5.4m Long x 2.7m Wide

Product Name	Length (mm)	Item Code	QTY
6" x 6" Post	2320	A	3
4" x 2" Ring Beam Supports	700	B	4
4" x 2" Roof Rafters	3126.2	D	12
6"x2" Front 2 Ring Beams	5400	E	2
6"x2" Upper Roof Ridge	5400	G	1
6" x 1" Rafter Fascia Board	5400	F	1
Screws 6x150			60
Screws 5x100			28

5.4m Long x 3.0m Wide

Product Name	Length (mm)	Item Code	QTY
6" x 6" Post	2320	A	3
4" x 2" Ring Beam Supports	700	B	4
4" x 2" Roof Rafters	3418.6	D	12
6"x2" Front 2 Ring Beams	5400	E	2
6"x2" Upper Roof Ridge	5400	G	1
6" x 1" Rafter Fascia Board	5400	F	1
Screws 6x150			60
Screws 5x100			28

5.4m Long x 3.3m Wide

Product Name	Length (mm)	Item Code	QTY
6" x 6" Post	2320	A	3
4" x 2" Ring Beam Supports	700	B	4
4" x 2" Roof Rafters	3712.4	D	12
6"x2" Front 2 Ring Beams	5400	E	2
6"x2" Upper Roof Ridge	5400	G	1
6" x 1" Rafter Fascia Board	5400	F	1
Screws 6x150			60
Screws 5x100			28

5.4m Long x 3.6m Wide

Product Name	Length (mm)	Item Code	QTY
6" x 6" Post	2320	A	3
4" x 2" Ring Beam Supports	700	B	4
4" x 2" Roof Rafters	4007.2	D	12
6"x2" Front 2 Ring Beams	5400	E	2
6"x2" Upper Roof Ridge	5400	G	1
6" x 1" Rafter Fascia Board	5400	F	1
Screws 6x150			60
Screws 5x100			28

5.7m Long x 1.8m Wide

Product Name	Length (mm)	Item Code	QTY
6" x 6" Post	2320	A	3
4" x 2" Ring Beam Supports	700	B	4
4" x 2" Roof Rafters	2263.4	D	13
6"x2" Front 2 Ring Beams	5700	E	2
6"x2" Upper Roof Ridge	5700	G	1
6" x 1" Rafter Fascia Board	5700	F	1
Screws 6x150			64
Screws 5x100			29

5.7m Long x 2.1m Wide

Product Name	Length (mm)	Item Code	QTY
6" x 6" Post	2320	A	3
4" x 2" Ring Beam Supports	700	B	4
4" x 2" Roof Rafters	2547.6	D	13
6"x2" Front 2 Ring Beams	5700	E	2
6"x2" Upper Roof Ridge	5700	G	1
6" x 1" Rafter Fascia Board	5700	F	1
Screws 6x150			64
Screws 5x100			29

5.7m Long x 2.4m Wide

Product Name	Length (mm)	Item Code	QTY
6" x 6" Post	2320	A	3
4" x 2" Ring Beam Supports	700	B	4
4" x 2" Roof Rafters	2835.6	D	13
6"x2" Front 2 Ring Beams	5700	E	2
6"x2" Upper Roof Ridge	5700	G	1
6" x 1" Rafter Fascia Board	5700	F	1
Screws 6x150			64
Screws 5x100			29

5.7m Long x 2.7m Wide

Product Name	Length (mm)	Item Code	QTY
6" x 6" Post	2320	A	3
4" x 2" Ring Beam Supports	700	B	4
4" x 2" Roof Rafters	3126.2	D	13
6"x2" Front 2 Ring Beams	5700	E	2
6"x2" Upper Roof Ridge	5700	G	1
6" x 1" Rafter Fascia Board	5700	F	1
Screws 6x150			64
Screws 5x100			29

5.7m Long x 3.0m Wide

Product Name	Length (mm)	Item Code	QTY
6" x 6" Post	2320	A	3
4" x 2" Ring Beam Supports	700	B	4
4" x 2" Roof Rafters	3418.6	D	13
6"x2" Front 2 Ring Beams	5700	E	2
6"x2" Upper Roof Ridge	5700	G	1
6" x 1" Rafter Fascia Board	5700	F	1
Screws 6x150			64
Screws 5x100			29

5.7m Long x 3.3m Wide

Product Name	Length (mm)	Item Code	QTY
6" x 6" Post	2320	A	3
4" x 2" Ring Beam Supports	700	B	4
4" x 2" Roof Rafters	3712.4	D	13
6"x2" Front 2 Ring Beams	5700	E	2
6"x2" Upper Roof Ridge	5700	G	1
6" x 1" Rafter Fascia Board	5700	F	1
Screws 6x150			64
Screws 5x100			29

5.7m Long x 3.6m Wide

Product Name	Length (mm)	Item Code	QTY
6" x 6" Post	2320	A	3
4" x 2" Ring Beam Supports	700	B	4
4" x 2" Roof Rafters	4007.2	D	13
6"x2" Front 2 Ring Beams	5700	E	2
6"x2" Upper Roof Ridge	5700	G	1
6" x 1" Rafter Fascia Board	5700	F	1
Screws 6x150			64
Screws 5x100			29

6.0m Long x 1.8m Wide

Product Name	Length (mm)	Item Code	QTY
6" x 6" Post	2320	A	3
4" x 2" Ring Beam Supports	700	B	4
4" x 2" Roof Rafters	2263.4	D	14
6"x2" Front 2 Ring Beams	6000	E	2
6"x2" Upper Roof Ridge	6000	G	1
6" x 1" Rafter Fascia Board	6000	F	1
Screws 6x150			68
Screws 5x100			30

6.0m Long x 2.1m Wide

Product Name	Length (mm)	Item Code	QTY
6" x 6" Post	2320	A	3
4" x 2" Ring Beam Supports	700	B	4
4" x 2" Roof Rafters	2547.6	D	14
6"x2" Front 2 Ring Beams	6000	E	2
6"x2" Upper Roof Ridge	6000	G	1
6" x 1" Rafter Fascia Board	6000	F	1
Screws 6x150			68
Screws 5x100			30

6.0m Long x 2.4m Wide

Product Name	Length (mm)	Item Code	QTY
6" x 6" Post	2320	A	3
4" x 2" Ring Beam Supports	700	B	4
4" x 2" Roof Rafters	2835.6	D	14
6"x2" Front 2 Ring Beams	6000	E	2
6"x2" Upper Roof Ridge	6000	G	1
6" x 1" Rafter Fascia Board	6000	F	1
Screws 6x150			68
Screws 5x100			30

6.0m Long x 2.7m Wide

Product Name	Length (mm)	Item Code	QTY
6" x 6" Post	2320	A	3
4" x 2" Ring Beam Supports	700	B	4
4" x 2" Roof Rafters	3126.2	D	14
6"x2" Front 2 Ring Beams	6000	E	2
6"x2" Upper Roof Ridge	6000	G	1
6" x 1" Rafter Fascia Board	6000	F	1
Screws 6x150			68
Screws 5x100			30

6.0m Long x 3.0m Wide

Product Name	Length (mm)	Item Code	QTY
6" x 6" Post	2320	A	3
4" x 2" Ring Beam Supports	700	B	4
4" x 2" Roof Rafters	3418.6	D	14
6"x2" Front 2 Ring Beams	6000	E	2
6"x2" Upper Roof Ridge	6000	G	1
6" x 1" Rafter Fascia Board	6000	F	1
Screws 6x150			68
Screws 5x100			30

6.0m Long x 3.3m Wide

Product Name	Length (mm)	Item Code	QTY
6" x 6" Post	2320	A	3
4" x 2" Ring Beam Supports	700	B	4
4" x 2" Roof Rafters	3712.4	D	14
6"x2" Front 2 Ring Beams	6000	E	2
6"x2" Upper Roof Ridge	6000	G	1
6" x 1" Rafter Fascia Board	6000	F	1
Screws 6x150			68
Screws 5x100			30

6.0m Long x 3.6m Wide

Product Name	Length (mm)	Item Code	QTY
6" x 6" Post	2320	A	3
4" x 2" Ring Beam Supports	700	B	4
4" x 2" Roof Rafters	4007.2	D	14
6"x2" Front 2 Ring Beams	6000	E	2
6"x2" Upper Roof Ridge	6000	G	1
6" x 1" Rafter Fascia Board	6000	F	1
Screws 6x150			68
Screws 5x100			30

Please read through these instructions to familiarise yourself with your product. We recommend that you check all the components using the lists found on the front page before you start to build.

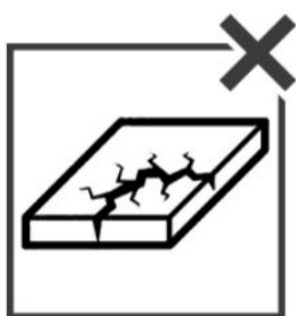
All of our Pergolas are constructed in the same way. They simply come with different components depending on the type of Pergola you have. Don't worry if your fixing pack contains some spare items at the end of the build (you haven't missed a bit!) we have sent you a generic fixing pack to suit the Pergola range.

Preparation

It's vital that you build your new Pergola on a **solid, level base**.



Concrete
Concrete surface/
Concrete slabs



Broken Slabs/Gaps
Uneven slab sizes
with no cement



Soil
A base of soil
only

If you have an existing base and think it's suitable for your new pergola to be sited on, it is important you check that it is level and doesn't deviate by any more than 15mm from edge to edge. If this isn't the case the building will twist, causing gaps to appear in the roof sections.

Tools Needed

We recommend using the following tools (not supplied):



Tape Measure



Sharp Knife



Pozidrive Screwdriver



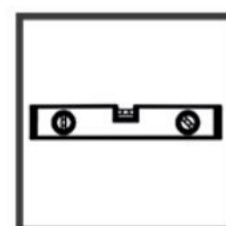
Drill & 2mm Drill Bit



Hammer



Ladder



Spirit Level

Things to Notice

Movement, Twisting & Warping

Wood contains a natural level of moisture so decreasing humidity levels in the surrounding air may cause panels to change their shape as the porous fibres shrink. This can be exaggerated during prolonged periods of dry weather. Movement and gaps in timber products are normal, in most cases the wood will revert to its original form once the high temperatures subside and there is more moisture content in the air. Similarly, in the winter months, the opposite may occur with wood swelling.

Expansion, Contraction, Splits & Cracks

All timber will expand and contract according to its environment. As a result of this expansion and contraction, it is very common to see splits and cracks developing in the wood. Splits are common during the spring and summer months as the wood begins to dry out. The outer surface dries first and contracts, contracting over a still expanded core of the wood. The result of this is that splits and cracks appear along the grain of wood. These splits are not a fault and do not affect the structural integrity of a product.

Mould & Blue Stain

Mould is a surface-dwelling fungus that feeds on the nutrients and debris contained in the surface cells of timber. The most common problems associated with mould are discoloured timber and an increase in permeability of the timber. Blue stain is part of the same family but penetrates deeper into the surface layers of the timber. It stains the timber a dark blue, whereas mould is usually black. These do not cause the timber to rot. Keep the building well ventilated to avoid mould.

Note: The roof of this building is not a load bearing structure

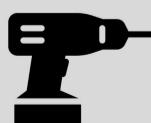
Construction

Assembly is relatively straightforward if you follow these step by step instructions. We recommend getting everything aligned properly before screwing together and that screw holes should be pre-drilled to avoid splitting the timber.



IMPORTANT

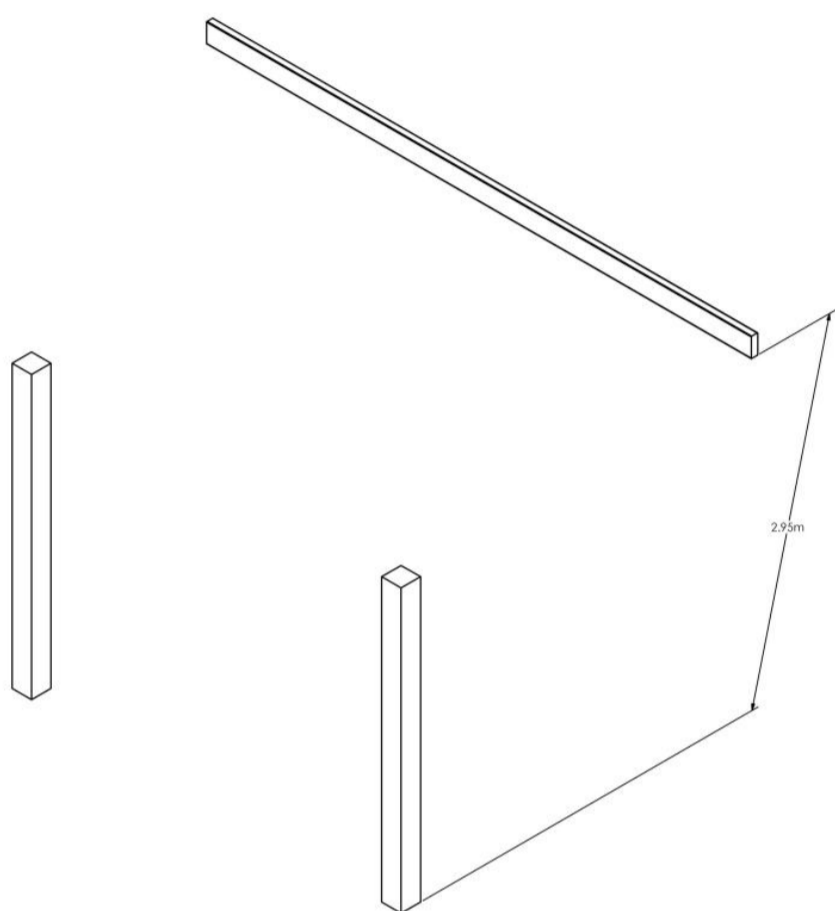
Assembly requires 2+ adults



REMINDER

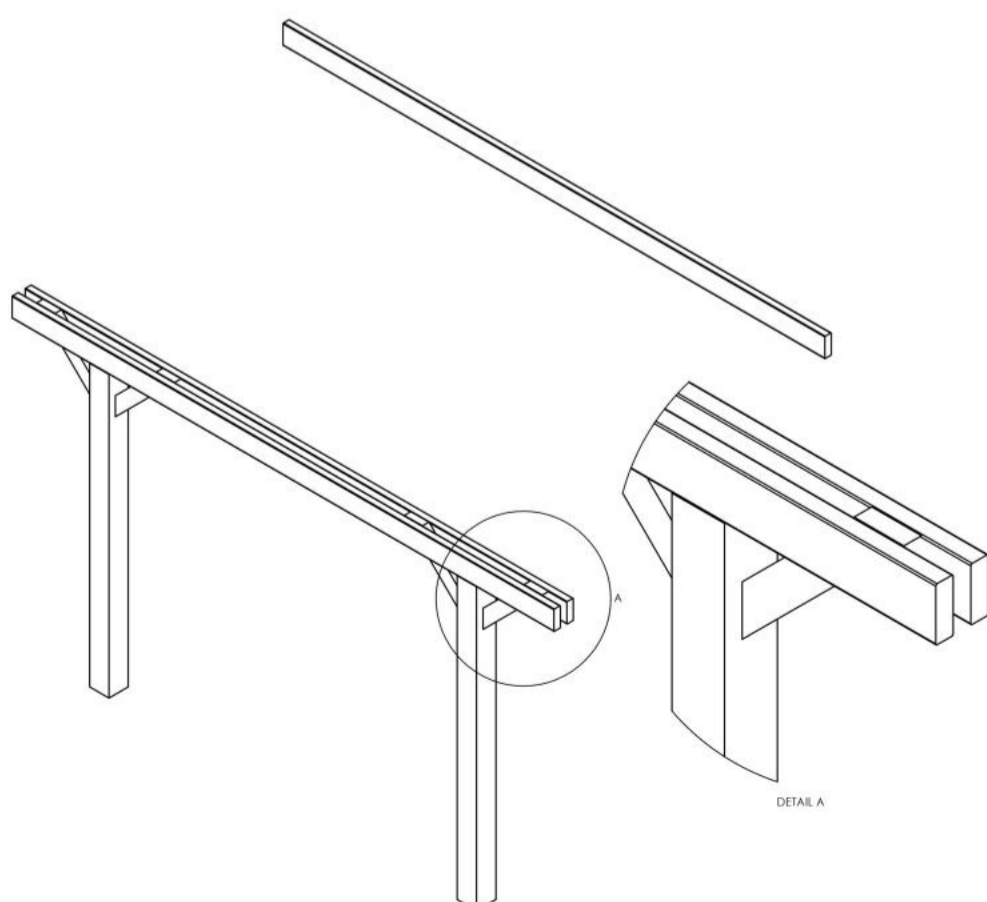
Always pre-drill before screwing

1 Right and Left Side



Install your selected post bases onto the 2320mm 150x150 uprights. Then, using the correct fixings for your type of wall finish, secure the wall brace onto your wall, ensuring the bottom of the brace is 2.95m above ground level.

2 Front Beams & Bracing

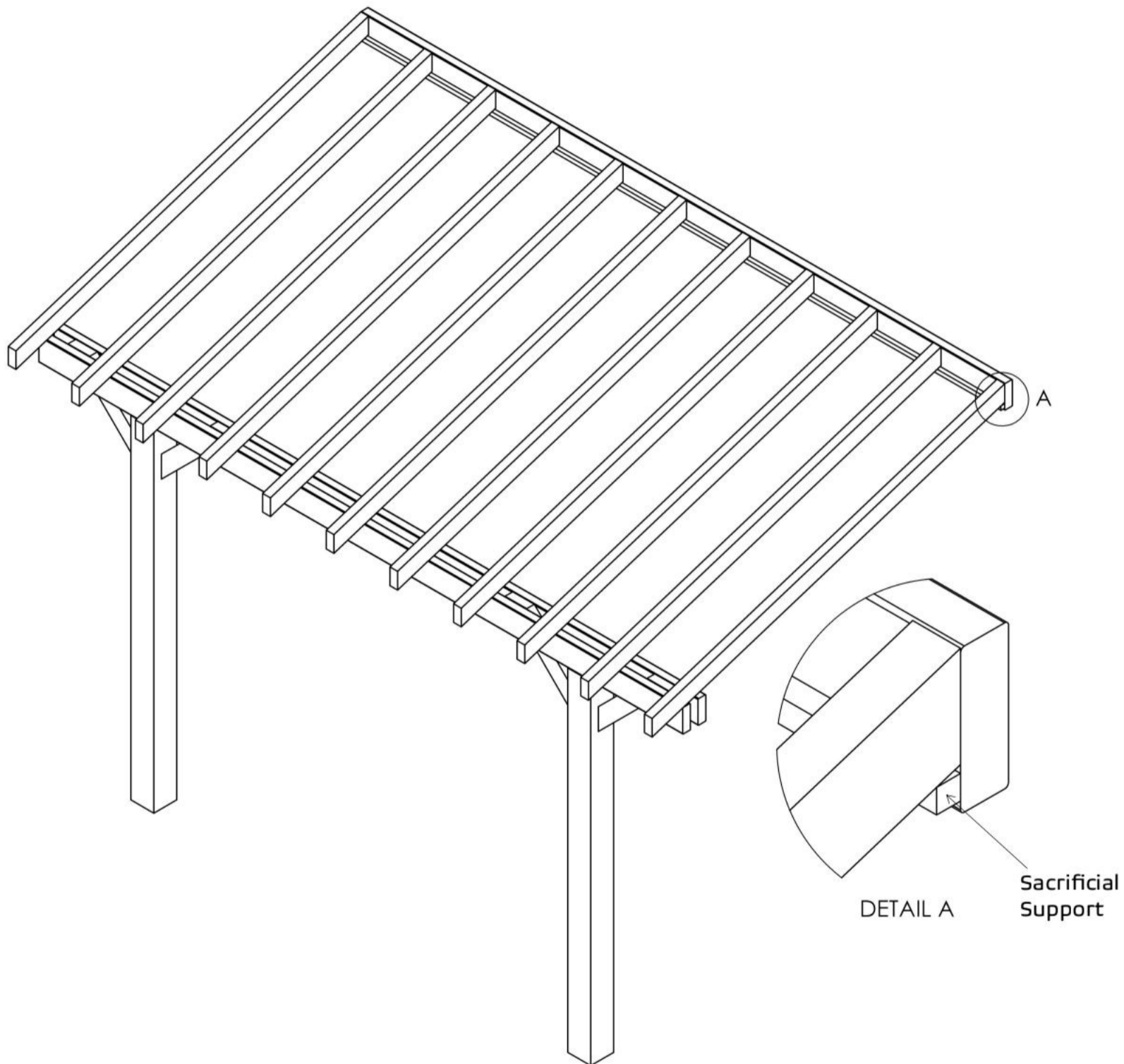


Secure the first front beam member to the rear of the uprights using the supplied 6mm x 150mm wood screws, creating one freestanding structure.

Then fix the 45 degree bracing members to the front ring beam and the uprights using the supplied 5mm x 100mm wood screws.

Finally fit the second front beam member to the 45 degree bracings and the uprights using the supplied 5mm x 100mm wood screws.

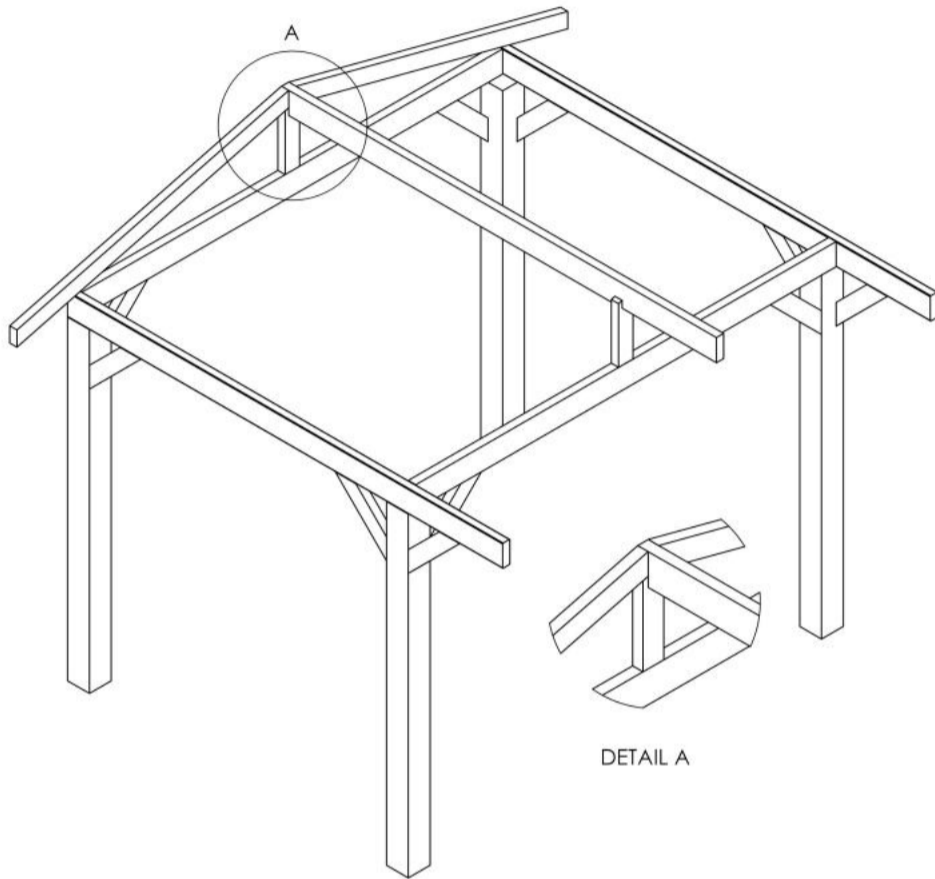
3 Mid Lean-To Structure and Bracing



One at a time, install the roof spars to the two front beam members and wall brace, using the supplied 6mm x 150mm wood screws.

For ease of installation, it is suggested that a sacrificial piece of timber is screwed to the bottom of the wall brace, enabling you to rest the roof spars on the base structure and sacrificial piece.

4 Roof Spars



One at a time, install the roof spars to the left and right ring beams using the supplied 6mm x 150mm wood screws and to the mid roof brace using the supplied 5mm x 100mm wood screws.

5 Roof Spars Complete

