



R

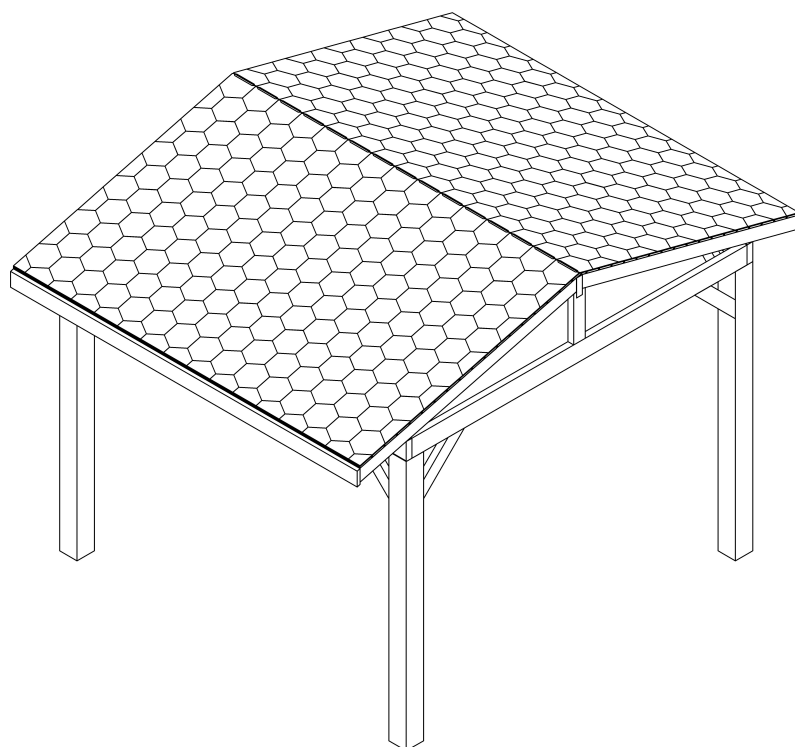
Issue : 0001

Thank you for purchasing your Pergola from Ruby. Simply follow these step by step instructions and our top tips and you'll be enjoying your Pergola for many years to come. If you have any questions or need advice, our friendly team is here to help.

# Katepal Shingle Apex Pergola

## Assembly Instructions

For all sizes of Ruby Pergolas

**Missing Something?**

Call our aftersales team on  
01409 231 763—Option 1

**Need More Information?**

Call our technical team on  
01409 231 763—Option 2

**Visit our website for more  
information**

[www.ruby-group.co.uk](http://www.ruby-group.co.uk)

## Timber Parts List:

Quantities and lengths of timber parts will vary dependent on the size of your pergola. The assembly instructions however are identical for all pergola sizes.

<b>Uprights</b> 2320x150x150		
<b>Length Ring Beam</b> 150x50 Profile		
<b>Front/Rear Ring Beam</b> 150x50 Profile		
<b>Mid Roof Brace</b> 150x50 Profile		
<b>45° Bracing</b> 150x50 Profile		
<b>Gable Bracing</b> 100x50 Profile		
<b>Roof Spars</b> 100x50 Profile		
<b>Tongue &amp; Groove Cladding</b>		
<b>Length Edge Trim</b> 150x25 Profile		
<b>Katepal Shingle</b> Build Pack		

## Fixing Parts List:

Quantities of fixings will vary dependent on the size of your pergola. The assembly instructions however are identical for all pergola sizes.

<b>6mm Wood Screw</b> 150mm nom length	
<b>5mm Wood Screw</b> 100mm nom length	
<b>Cladding Nails</b> 40mm nom length	

### Missing Something?

Call our aftersales team on  
01409 231 763—Option 1

### Need More Information?

Call our technical team on  
01409 231 763—Option 2

### Visit our website for more information

[www.ruby-group.co.uk](http://www.ruby-group.co.uk)

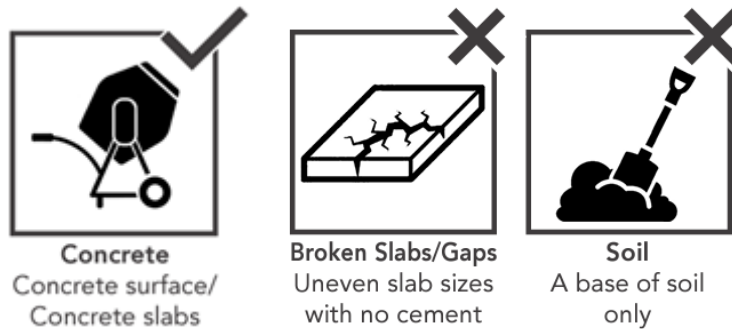
# Before You Start

Please read through these instructions to familiarise yourself with your product. We recommend that you check all the components using the lists found on the front page before you start to build.

All of our Pergolas are constructed in the same way. They simply come with different components depending on the type of Pergola you have. Don't worry if your fixing pack contains some spare items at the end of the build (you haven't missed a bit!) we have sent you a generic fixing pack to suit the Pergola range.

## Preparation

It's vital that you build your new Pergola on a **solid, level base**.



If you have an existing base and think it's suitable for your new pergola to be sited on, it is important you check that it is level and doesn't deviate by any more than 15mm from edge to edge. If this isn't the case the building will twist, causing gaps to appear in the roof sections.

## Tools Needed

We recommend using the following tools (not supplied):



Tape Measure



Sharp Knife



Pozidrive Screwdriver



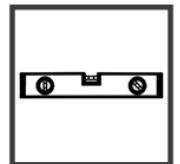
Drill & 2mm Drill Bit



Hammer



Ladder



Spirit Level

### Missing Something?

Call our aftersales team on  
01409 231 763—Option 1

### Need More Information?

Call our technical team on  
01409 231 763—Option 2

### Visit our website for more information

[www.ruby-group.co.uk](http://www.ruby-group.co.uk)

# Care & Attention

## Things To Notice

### MOVEMENT, TWISTING & WARPING

Wood contains a natural level of moisture so decreasing humidity levels in the surrounding air may cause panels to change their shape as the porous fibres shrink. This can be exaggerated during prolonged periods of dry weather. Movement and gaps in timber products are normal, in most cases the wood will revert to its original form once the high temperatures subside and there is more moisture content in the air. Similarly, in the winter months, the opposite may occur with wood swelling.

### EXPANSION, CONTRACTION, SPLITS & CRACKS

All timber will expand and contract according to its environment. As a result of this expansion and contraction, it is very common to see splits and cracks developing in the wood. Splits are common during the spring and summer months as the wood begins to dry out. The outer surface dries first and contracts, contracting over a still expanded core of the wood. The result of this is that splits and cracks appear along the grain of wood. These splits are not a fault and do not affect the structural integrity of a product.

### MOULD & BLUE STAIN

Mould is a surface-dwelling fungus that feeds on the nutrients and debris contained in the surface cells of timber. The most common problems associated with mould are discoloured timber and an increase in permeability of the timber. Blue stain is part of the same family but penetrates deeper into the surface layers of the timber. It stains the timber a dark blue, whereas mould is usually black. These do not cause the timber to rot. Keep the building well ventilated to avoid mould.

THE ROOF OF THIS BUILDING IS NOT A LOAD BEARING STRUCTURE

## Construction

Assembly is relatively straightforward if you follow these step by step instructions.

We recommend getting everything aligned properly before screwing together and that screw holes should be pre-drilled to avoid splitting the timber.



### IMPORTANT

Assembly requires 2+ adults.



### REMINDER

Always pre-drill before screwing.

#### Missing Something?

Call our aftersales team on  
01409 231 763—Option 1

#### Need More Information?

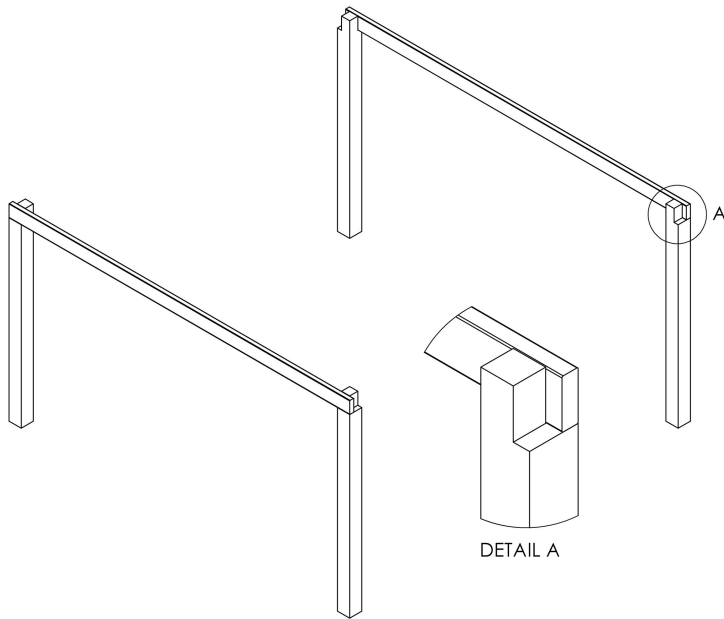
Call our technical team on  
01409 231 763—Option 2

#### Visit our website for more information

[www.ruby-group.co.uk](http://www.ruby-group.co.uk)

# Construction

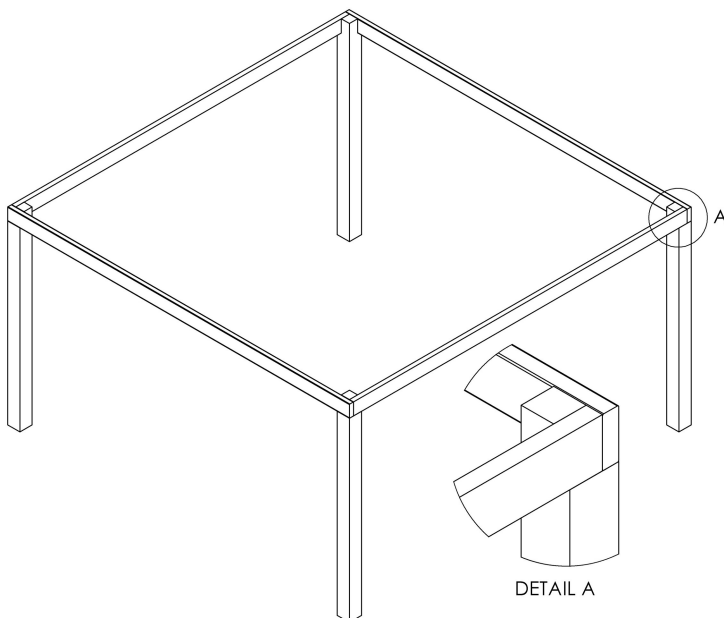
## 1 Right and Left Side



Install your selected post bases onto the notched 2320mm 150x150 uprights. Then, using the supplied 6mm x 150mm wood screws, secure the length ring beam members to the recessed side of the top of the upright.

If your pergola has an overhang, these members will overhang the front posts.

## 2 Front and Rear Ring Beam



Using the supplied fixings, secure the front and rear ring beam members to the existing 2 structures using the supplied 6mm x 150mm wood screws, creating one free-standing structure.

### Missing Something?

Call our aftersales team on  
01409 231 763—Option 1

### Need More Information?

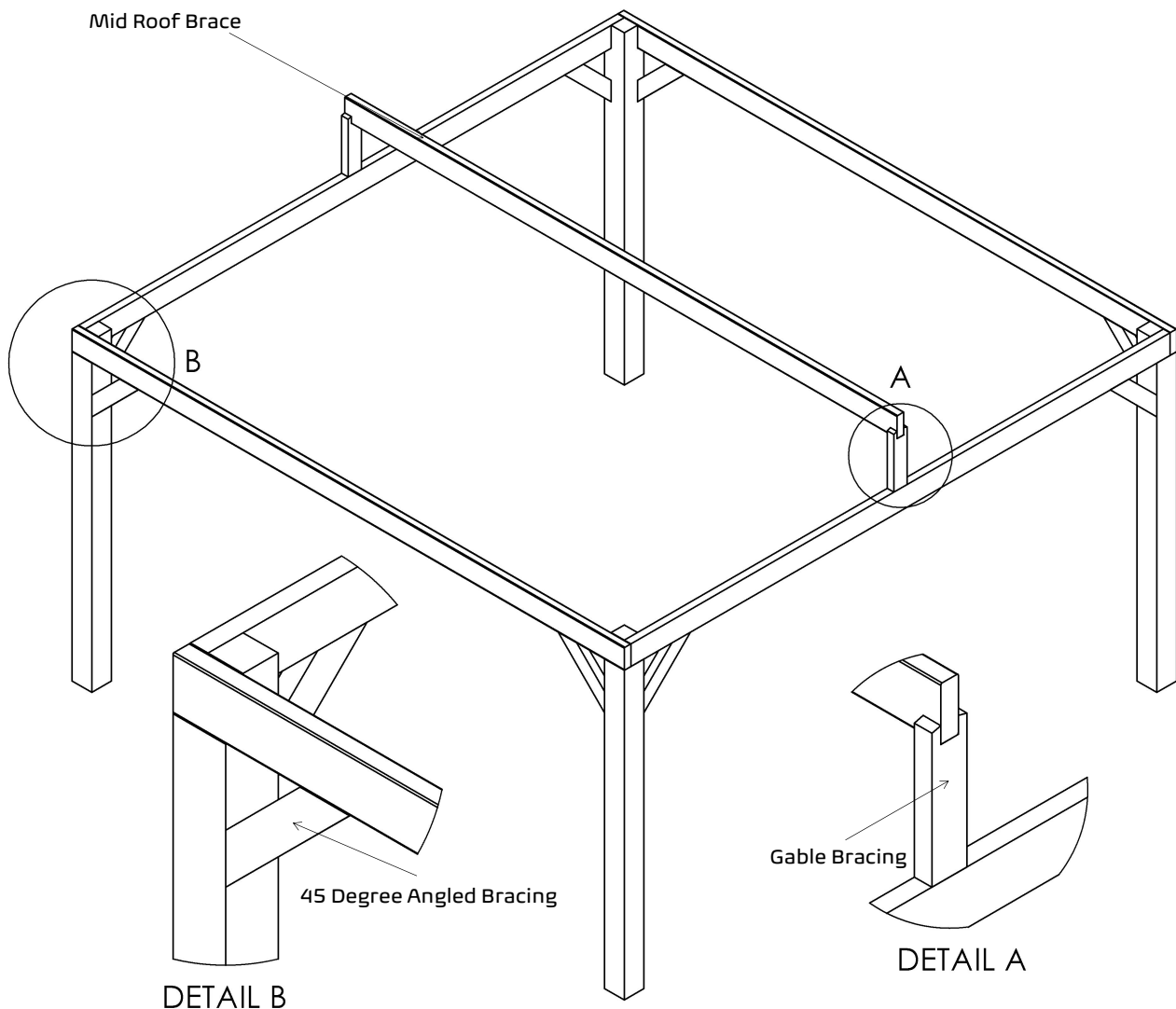
Call our technical team on  
01409 231 763—Option 2

### Visit our website for more information

[www.ruby-group.co.uk](http://www.ruby-group.co.uk)

# Construction

## 3 Mid Pergola Structure and Bracing



Using the 8 x 45 degree angled braces supplied, secure the 2320mm uprights to the ring beams using the supplied 5mm x 100mm wood screws.

Then, using the mid bracing, secure the gable bracing to the front and back ring beam using the supplied 5mm x 100mm wood screws.

Finally, install the mid roof brace to the top of the gable bracing using the supplied 6mm x 150mm wood screws. If your pergola has an overhand, the mid roof brace will have a notch at one end which will slot into the gable bracing.

### Missing Something?

Call our aftersales team on  
01409 231 763—Option 1

### Need More Information?

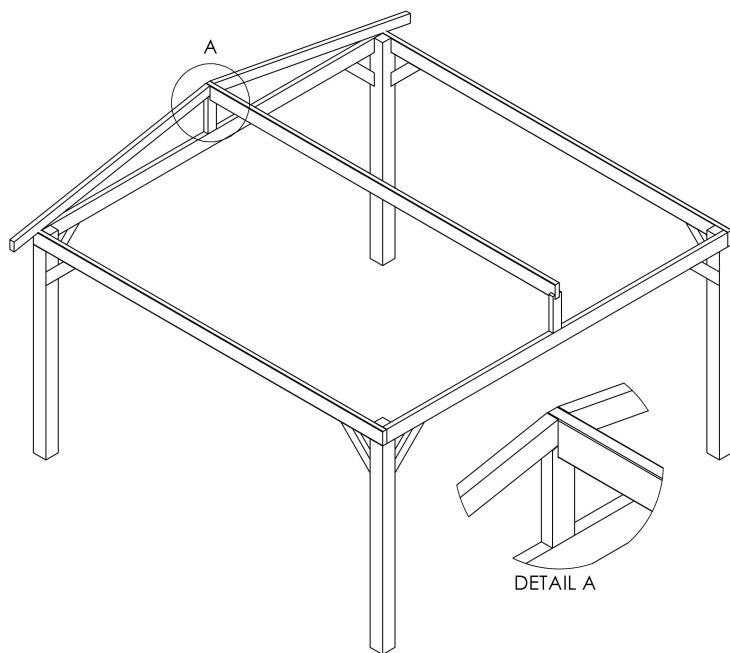
Call our technical team on  
01409 231 763—Option 2

Visit our website for more  
information

[www.ruby-group.co.uk](http://www.ruby-group.co.uk)

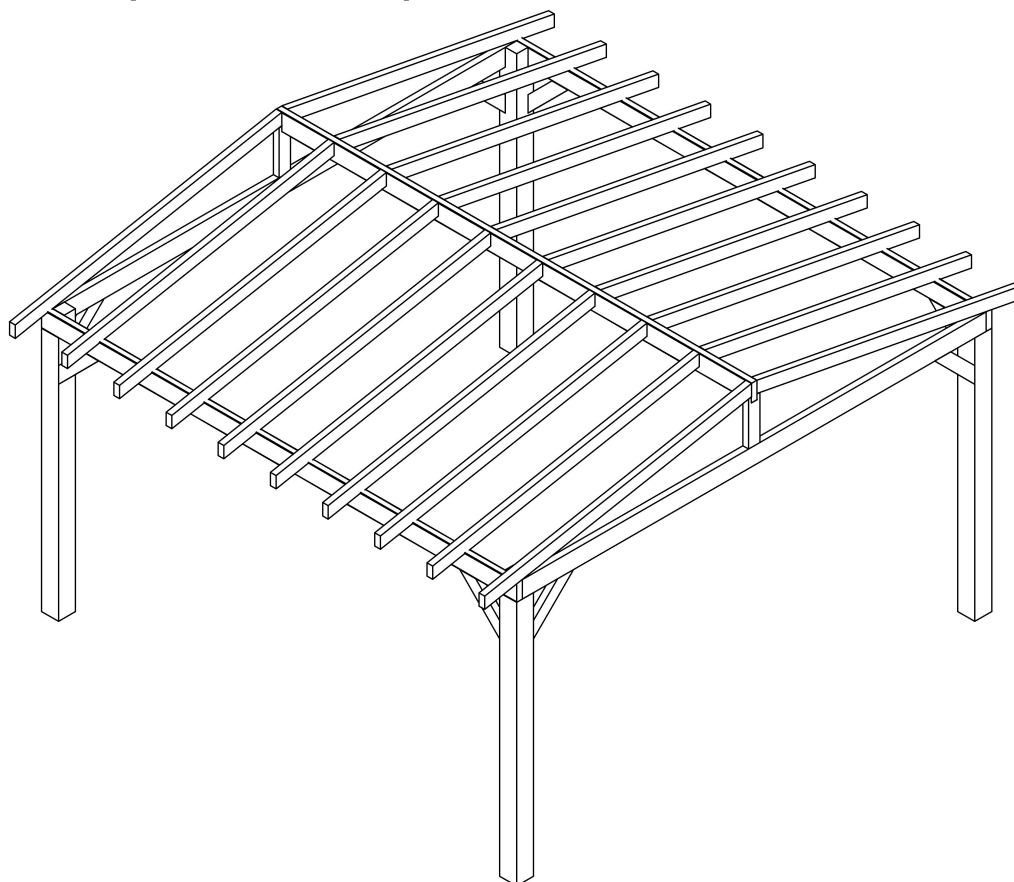
# Construction

## 4.1 Roof Spars



One at a time, install the roof spars to the left and right ring beams using the supplied 6mm x 150mm wood screws and to the mid roof brace using the supplied 5mm x 100mm wood screws.

## 4.2 Roof Spars Complete



### Missing Something?

Call our aftersales team on  
01409 231 763—Option 1

### Need More Information?

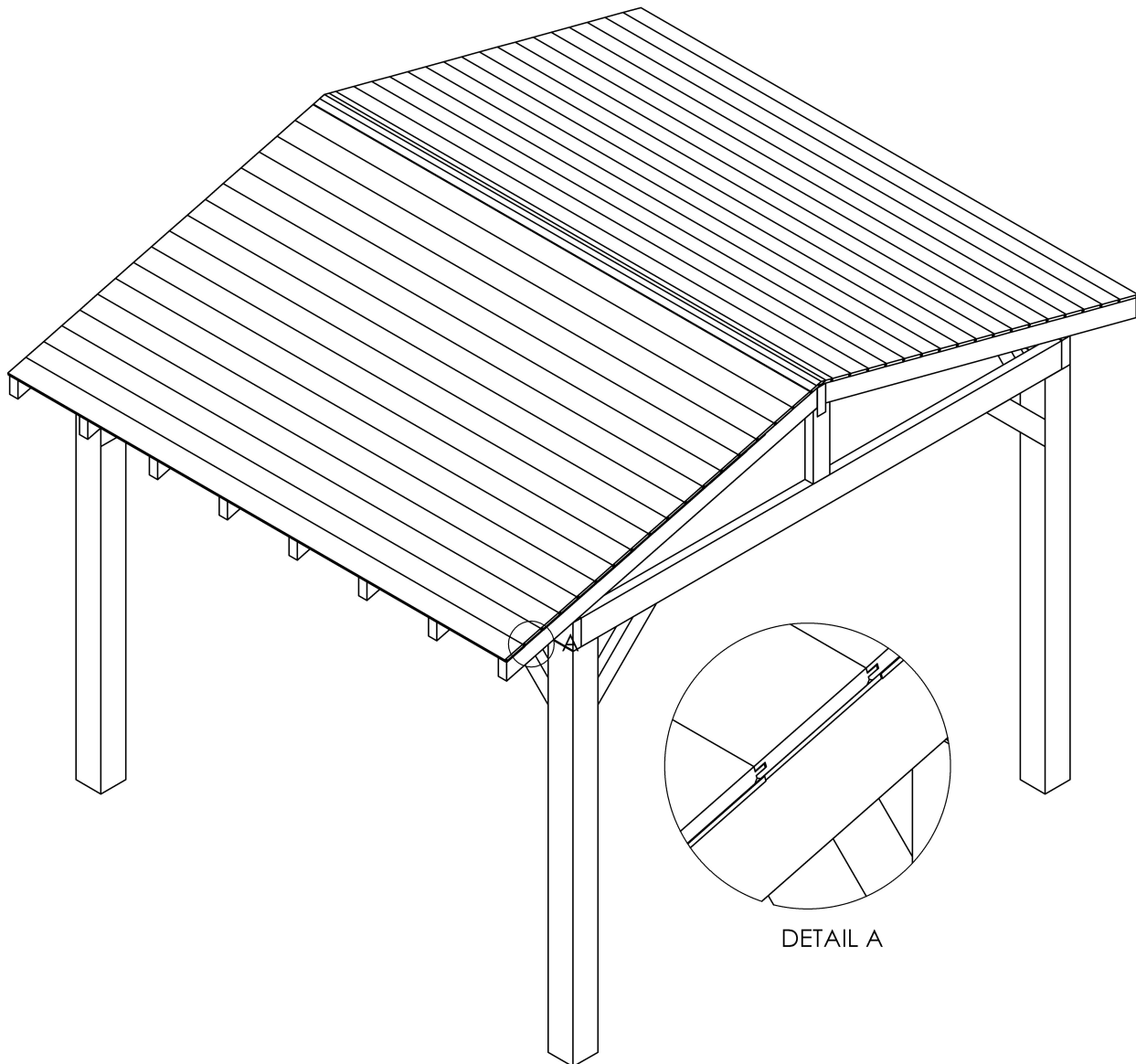
Call our technical team on  
01409 231 763—Option 2

### Visit our website for more information

[www.ruby-group.co.uk](http://www.ruby-group.co.uk)

# Construction

## 5 Tongue & Groove



Feather  
edged

Starting with the outermost edge of the roof, secure the first Tongue & Groove cladding board face down to the roof structure, using 2 40mm wood nails per roof spar. Ensure the flat surface of the board is facing upwards.

Once the first board is secure, the subsequent board needs to slot into the previous board. Each again using 2 40mm wood nails per roof spar to secure the trim.

### Missing Something?

Call our aftersales team on  
01409 231 763—Option 1

### Need More Information?

Call our technical team on  
01409 231 763—Option 2

### Visit our website for more information

[www.ruby-group.co.uk](http://www.ruby-group.co.uk)

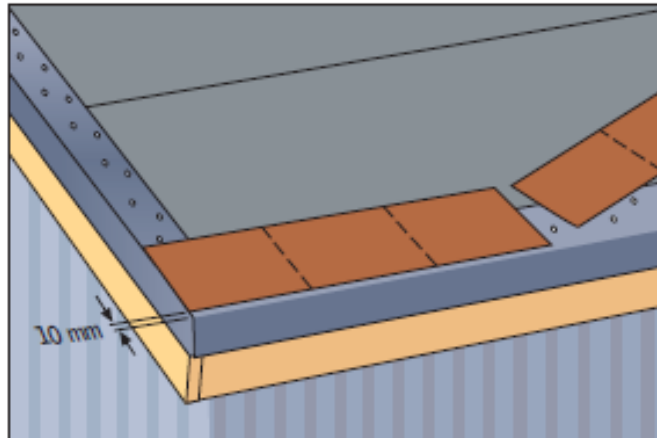


## Installation of roofing shingles

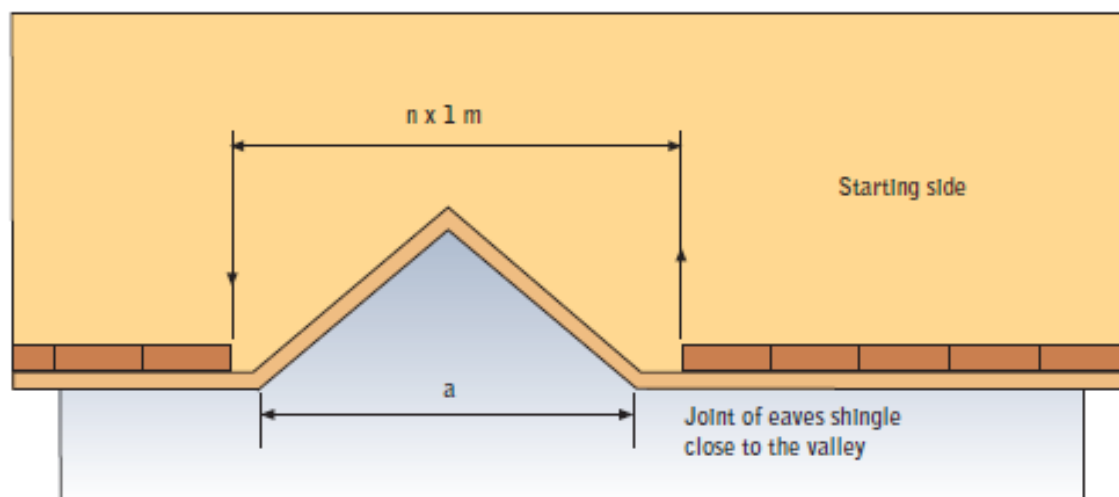
### Eaves / Eaves shingles

Eaves shingles are installed over the metal drip trims. The release film over the adhesive surface is removed and the eaves shingles glue end is pressed against the metal drip trim so that some 10 mm of its slope-side surface is left visible.

- Eaves shingles are installed in sequence and the ends are butt jointed without any gaps.



- If the eave line is not straight and unbroken (above bay windows, small verandahs with a return roof, etc.), the distance between the ends of the eaves shingles on the opposite sides of the return roof must be divisible by 1 metre (measured above the structure). This enables the correct alignment of the shingle pattern above the return roof. Usually the dimensioning has to be done by marking out perpendicular reference lines over the return roof as shown below. See separate instructions: "Working Around a Verandah or Similar Structure".



Above  $n = (a+1)$  rounded up to the next full number in metres  
 E.g. if  $a = 3.5$  m,  $n = 5$

#### Missing Something?

Call our aftersales team on  
 01409 231 763—Option 1

#### Need More Information?

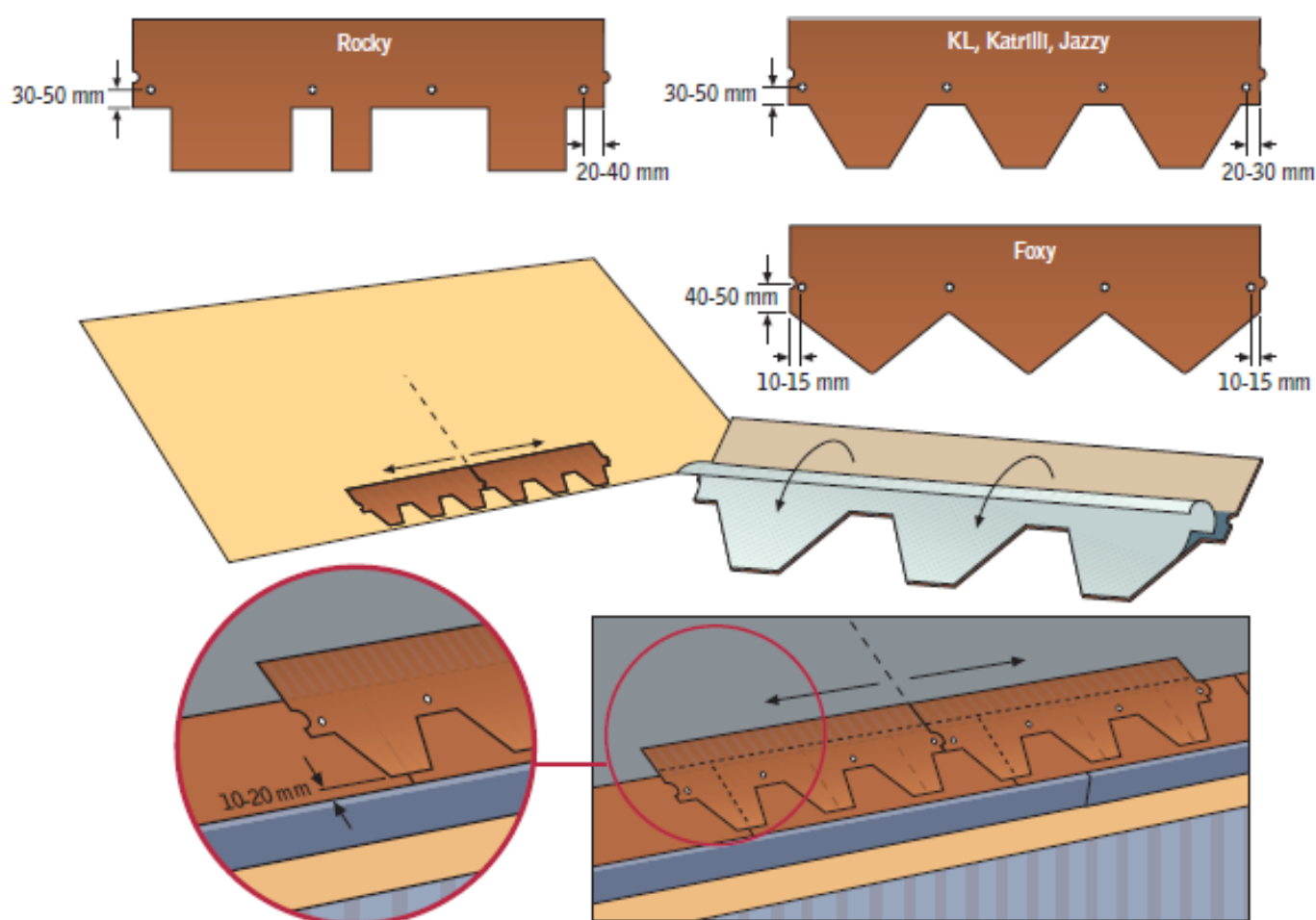
Call our technical team on  
 01409 231 763—Option 2

#### Visit our website for more information

[www.ruby-group.co.uk](http://www.ruby-group.co.uk)

## Installation of roofing shingles

- During installation always mix the shingles at least from 4 to 5 randomly chosen bundles to minimize harmful color differences.
- It is not recommended to install shingles from different production batches on the same visible roof surface. If it cannot be avoided for any reason, the shingles from different batches must be mixed and the possible color (difference) shall be checked continuously during installation.
- The installation of roofing shingles is usually started from the middle of the slope, so that the tabs of the shingles cover the end joints and perforations of the eaves shingles. The lower edge of the first row of shingles is aligned 10 – 20 mm above the bottom edge of the eaves shingles, so that the line of the eave appears clean and straight when seen at an upward angle from the ground.
- The roofing shingles are fixed with roofing nails (4 pieces / shingle) as shown in the figures below, some 30 mm (Foxy 50 mm) above the bottom of each notch along their centre lines. Roofing nails applied manually or with a pneumatic nailer may be used. Nails must penetrate through the roof deck boarding.
- If visible nail ends are not accepted on the underside or they might be harmful (play house, attic space used for some purpose, etc.), screws of suitable length and with flat and wide heads (KFR screw) may be used for fixing the roofing shingles.
- The shingles will bond to one another, but they are nailed to the substrate. The shingles must be bonded carefully to the substrate at roof valleys (to the valley sheet), at verges (to metal drip trims or to the underlay if a blocking piece is used to raise the edge) and at penetrations (to the sleeve flange).



### Missing Something?

Call our aftersales team on  
01409 231 763—Option 1

### Need More Information?

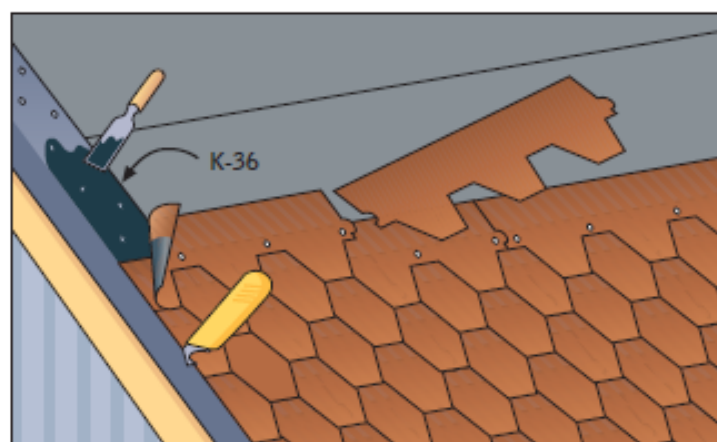
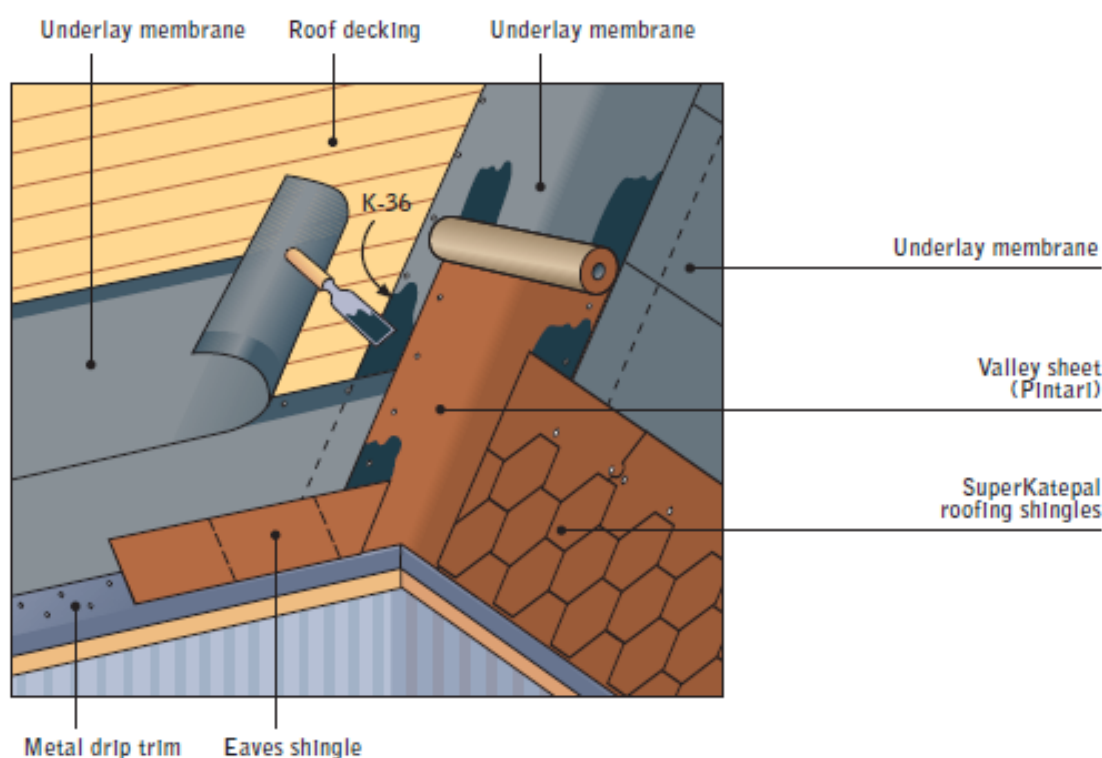
Call our technical team on  
01409 231 763—Option 2

Visit our website for more  
information

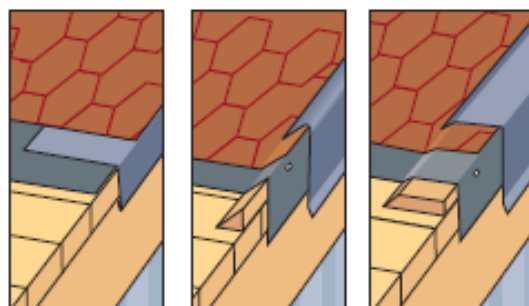
[www.ruby-group.co.uk](http://www.ruby-group.co.uk)

## Valleys / verges

- At valleys the ends of the shingle are cut parallel to the valley, ensuring that the shingles overlap the valley sheet by at least 150 mm.
- Usually a 100–200 mm wide area along the bottom of the valley sheet is left exposed. The ends of the shingles are bonded to the valley sheet with care so that any water accumulating in the valley can not seep under the shingles.
- It is not recommended to nail shingles to the decking on top of the valley sheet. The shingles should be glued to the valley sheet with Sealing Compound K-36, applied to a minimum width of 100 mm as measured from the mitred edge of the shingle.
- At the verges, the shingles are cut along the verge line and the ends are bonded to the metal drip trim. When an upstand is built at the verge, the ends of the shingles are bonded along the blocking piece (the chamfered surface) to the underlay, and a metal flashing of separate specification is attached on top.



Alternatives for making the upstand and attaching the metal flashing at the verge.



### Missing Something?

Call our aftersales team on  
01409 231 763—Option 1

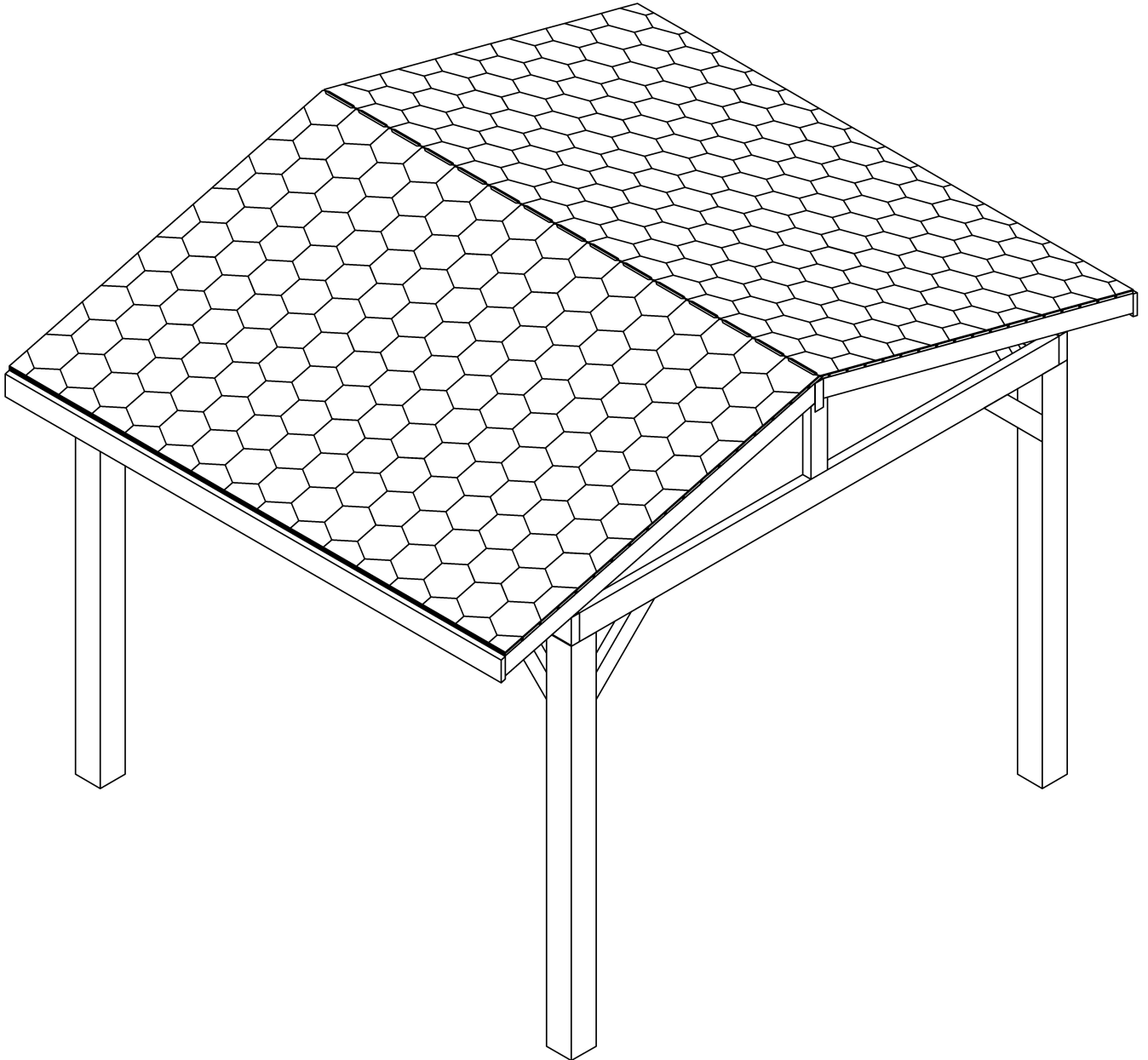
### Need More Information?

Call our technical team on  
01409 231 763—Option 2

### Visit our website for more information

[www.ruby-group.co.uk](http://www.ruby-group.co.uk)

# Finished Pergola



---

**Missing Something?**

Call our aftersales team on  
01409 231 763—Option 1

**Need More Information?**

Call our technical team on  
01409 231 763—Option 2

**Visit our website for more  
information**

[www.ruby-group.co.uk](http://www.ruby-group.co.uk)