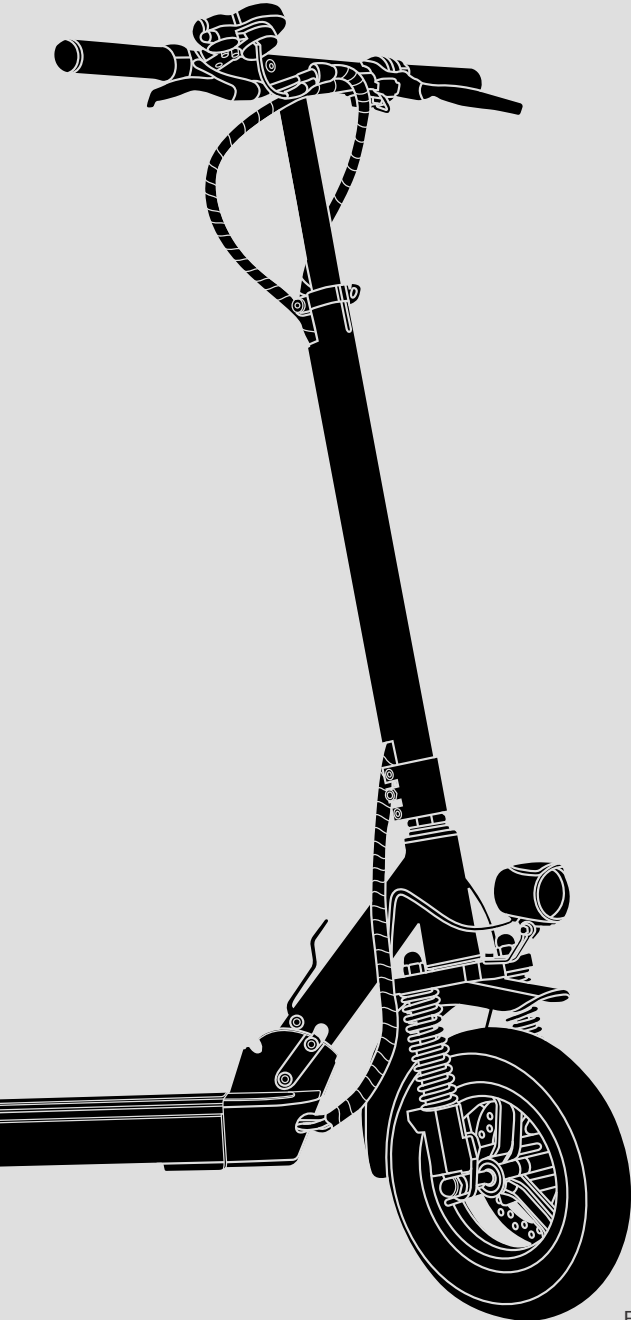


UBERSCUUTER *LITE GT*



OWNERS MANUAL

Electric, Foldable & Portable Scooter Bike

IMPORTANT

Before using your scooter for the first time, please read this user manual to guarantee safe assembly and operation. It will help you stay safe and keep your scooter in good working order.

This scooters can be used by adults and children of 14 years or more. Please read the Warnings section of this manual to see if any limitations or restrictions apply to you.

Before using the scooter for the first time, make sure to also check the instructions for its safe use, maintenance, charging, storage and disposal.

Save the planet – ride a scooter to make our cities less congested and polluted.

The scooter is a means of transportation that you may want to use on your way to work, school, nearby grocery store or any other destination. By leaving your car at home, you help to make our cities better places to live. Before entering traffic, please practice in a safe area. Please check the local regulations for scooters and helmets and follow the law.

Happy riding



UPDATES TO THE OWNER'S MANUAL

Please check uberscooter.com periodically for important updates to the owner's manual.



TABLE OF CONTENT

PART 1: BEFORE YOU RIDE	1
1.1 Safety Warnings.....	1
1.2 Safety Tips	1- 2
1.3 Pre-Ride Checklist.....;	2
1.4 Product Features.....	4
1.5 Product Specifications	5
PART 2: ASSEMBLY & SETUP	6
2.1 LCD Screen	7
2.2 Scooter Diagram	8
2.3 Instructions for Assembly.....	9
PART 3: PRODUCT OPERATION	10
3.1 Starting & Stopping	10
3.2 How to Fold	11
3.3 Smart Alarm.....	12
3.4 How to Charge.....	13
3.5 USB Port	14
3.6 Bluetooth Speaker.....	15
3.7 Start Speed Settings.....	15
3.8 Cruise Control.....	16
3.9 Switch KPH to MPH Settings.....	17
3.10 How to Remove Battery	18
PART 4: MAINTENANCE TIPS	20
2.1 Maintenance.....	20
2.2 Battery & Charger Use & Care	20
PART 5: WARRANTY	20

PART 1: BEFORE YOU RIDE

1.1 Safety Warnings



GENERAL WARNING: Riding the Uber Scooter can be a hazardous activity even under the best circumstances. Proper maintenance of the Uber Scooter is your responsibility and can help reduce risk of injury. Certain conditions may cause the equipment to fail without fault of the manufacturer. The electric scooter is intended to move and it is therefore possible to lose control, fall off and/or get into dangerous situations that no amount of care, instruction or expertise can eliminate. If such things occur you can be seriously injured or die, even when using safety equipment and other precautions. **RIDE AT YOUR OWN RISK AND ALWAYS USE COMMON SENSE.**

This manual contains many warnings and cautions concerning the consequences of failing to maintain, inspect or properly use your electric scooter. Because any incident can result in serious injury or even death, we do not repeat the warning of possible serious injury or death each time such a possibility is mentioned.

YOUR SAFETY IS UP TO YOU when you are operating your Uber Scooter.



WARNING: The Uber Scooter is not a toy and not meant to be used by children. It is NOT child-proof.

Check and obey all local laws and regulations regarding helmet use and scooter operation in the locations where the electric scooter may be used.

1.2 Safety Tips

YOUR SAFETY IS UP TO YOU when you are operating your Uber Scooter. We list a few safety tips below to help you reduce the risk of injury, but it is not possible to list all.

- Always wear a helmet and other safety equipment and appropriate clothing and shoes.
- Check the condition of your Uber Scooter each time you're are going to ride it. Make sure all the components, including the tires are in good condition and working properly.
- Always maintain a hold on both handlebars while riding.
- Never allow more than one person at a time to ride the scooter.
- Do not exceed the weight limit of 264 lbs.
- Keep your fingers and other body parts away from wheels and all other moving components.

- Do not ride your scooter in rain, wet or icy weather and never immerse the scooter in water.
- Always avoid excess speed associated with downhill rides.
- Do not brake harshly.
- Only use authorized charger and parts.
- Do not allow hands, feet, hair or any other body parts to come in contact with moving parts while engine is running.
- Do not ride while using cell phone or other electronics while wearing headphones.
- Always be alert and ride defensively to help prevent accidents. Watch out for obstacles that could catch one of the scooter's wheels or force you to turn suddenly and/or lose control.
- Do not improperly disassemble or modify the Uber Scooter. The warranty will be voided.

1.3 Pre-Ride Checklist

Brake

Check that the brakes are working properly. When you squeeze the lever, the brake should provide positive braking action.

Frame, handlebars

Check for cracks or broken connections.

Tires

To ensure safety, check the tread and tire pressure of both tires each time before riding. Make sure tire pressure is properly inflated to the manufacturer's recommended tire pressure.

Hardware

Check all parts such as nuts, bolts, cables, etc. to ensure they are secure and assembled correctly. If the unit is damaged, do not ride.

Laws & Regulations

Always check and obey any local laws or regulations regarding helmet use and scooter operation.

Insurance

Do not assume that your existing insurance provides coverage for use of this product. Check with your insurance company for information before riding.

Proper Attire

Always wear proper protective equipment such as an approved safety helmet with chin strap securely buckled. A long-sleeved shirt, long pants, and gloves are recommended. Never ride barefooted or in sandals, and keep shoelaces tied and out of the way of the wheels.

YOUR SAFETY IS UP TO YOU when you are operating your Uber Scooter.

WELCOME TO
THE

UBER SCOOTER LITEGT

The Uber Scouter LiteGT is one of the first electric, foldable scooters created to provide the best last mile solution for Urban Commuters. The foldable, innovative design and top-level technology makes it the perfect choice for urban living.

Congratulations on your new Uber Scouter and we know you will enjoy the ride!



1.4 Product Features

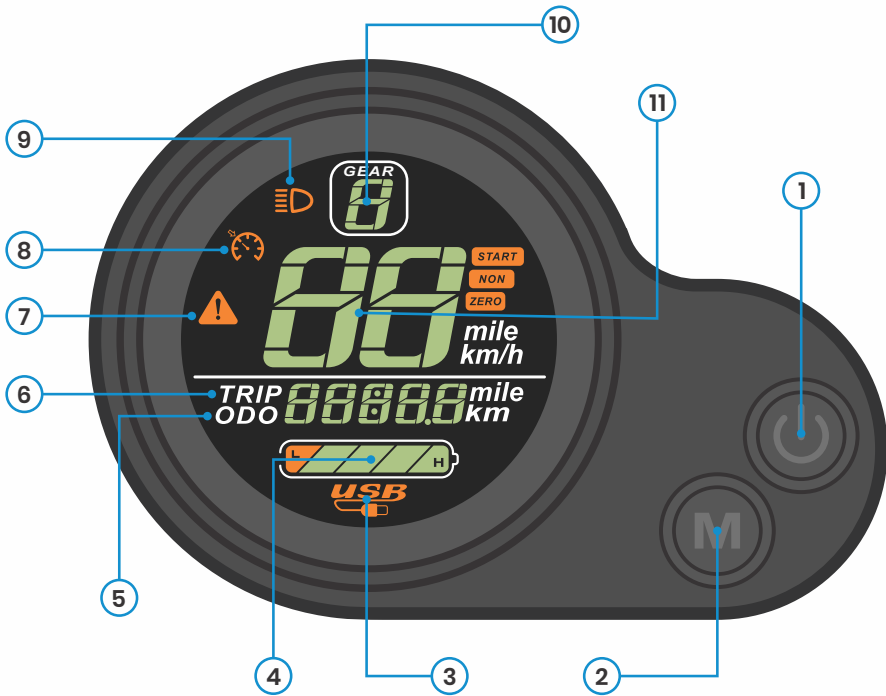
1. High Performance Electric Engine
2. Powerful LED Light
3. Foldable Design
4. Front and Rear Disc Brakes
5. The perfect Cockpit
6. Large, anti-slip surface for more stability and grip while driving
7. Integrated, foldable parking stand with increased durability
8. Adjustable height of the steering bar to fit any body size

1.5 Product Specifications

MODEL	GT6-S
MAX LOAD	120KG
GRADEABILITY	15°
DISTANCE RANGE	60-80KM
COLOR	BLACK/WHITE
MATERIAL	ALUMINUM ALLOY
TIRE SIZE	10"
TIRE TYPE	AIR TIRE
NET WEIGHT	22KG
UNFOLDED SIZE	1200x570x1190MM
FOLDED SIZE	1150x120x430MM
PEDAL WIDTH	210MM
VOLTAGE	48V
BATTERY	ENVIRONMENTAL LITHIUM BATTERY
CAPACITY	18Ah
MOTOR	DC BRUSHLESS TOOTHLESS MOTOR
POWER	500W
INPUT VOLTAGE	AC110-20V
OUTPUT CURRENT	2A
CHARGING TIME	9H

PART 2: ASSEMBLY & SETUP

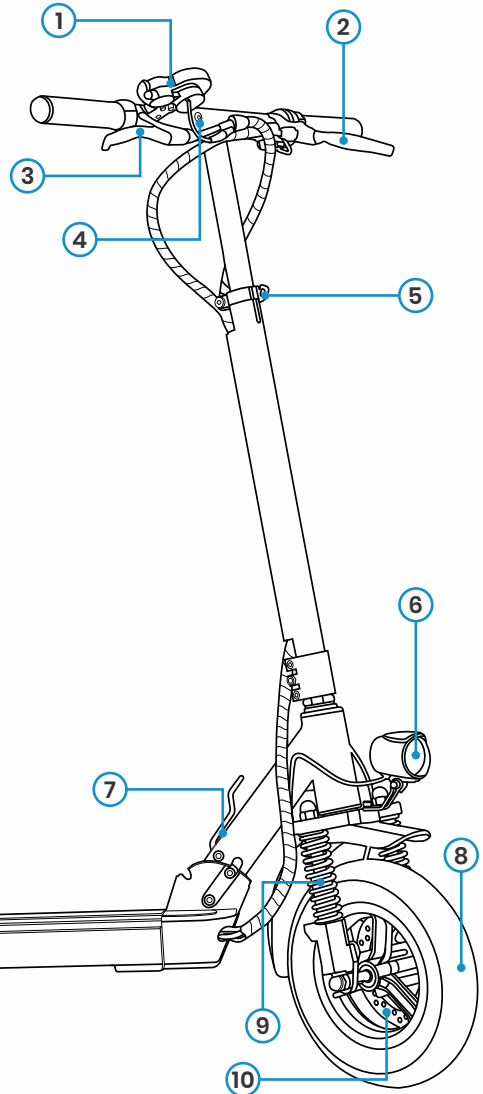
2.1 LCD Screen



1. On/Off Switch
2. Gear Switch
3. USB Indicator
4. Power Indicator
5. Total Trip Mileage
6. Single Trip Mileage
7. Brake Display
8. Cruise Control
9. Headlight Indicator
10. Gear Indicator
11. Speed Indicator

2.2 Scooter Diagram

1. LCD Display
2. Rear Brake
3. Front Brake
4. Foldable Handlebar
5. Height Adjustment
6. LED Headlight
7. Folding System
8. Front Tire
9. Front Double Suspension
10. Front Disc Brake
11. Kickstand
12. Brushless Gear Motor
13. Rear Reflector
14. Mud Guards
15. Rear Tire





PART 3: PRODUCT OPERATION

3.1 Starting and Stopping

3.2 How to Fold

3.3 Smart Alarm

3.4 How to Charge

3.5 USB Port

3.6 Start Speed Settings

3.7 Cruise Control

3.8 Switch KPH to MPH Settings

3.9 How to Remove Battery

PART 4: MAINTENANCE

4.1 Maintenance

1. Please make sure the tire pressure is 40 psi or properly inflated to the manufacturer's recommended tire pressure.
2. Fully charge the battery before storing the scooter. Fully charge and discharge battery every two months if the scooter will be unused for a long period of time.
3. Form a good habit to charge battery every day in order to guarantee longer battery life.
4. Check if screws of front and back wheels are locked firm.
5. Do not wash or spray down using water hose in order to avoid damaging inner parts of circuitry.
6. Use neutral cleaner to wipe the scooter surface softly then wipe with dry with clean cloth.
7. Do not inject oil on disc, brake or rim.

4.2 Battery & Charger Use & Care

Battery

1. Keep away from fire and flammable, explosive and corrosive gas.
2. Do not dismount the battery arbitrarily in order to avoid damaging inner parts.
3. Do not damage the label on the battery to avoid losing manufacturer warranty.
4. Use only the manufacturer's battery which can be purchased from uberscuuter.com.

Charger

1. Use ONLY with the recommended charger. The charger supplied with the scooter should be regularly examined for damage to the cord, plug, enclosure and other parts. In the event of such damage, the electric scooter must not be charged until it has been repaired or replaced.
2. Charge battery fully before initially use.
3. The charger contains high-voltage circuit, don't dismount arbitrarily.
4. Use the charger in a dry & ventilated environment.
5. Do not operate charger near flammable materials.
6. Unplug charger and disconnect from scooter when not in use.
7. Always disconnect scooter from the charger prior to wiping down and cleaning your scooter with liquid.

7. Charge in safe place where children can't reach.

PART 5: WARRANTY

Uber Scooter Limited Warranty

The manufacturer warrants this product to be free of manufacturing defects for a period of two years from date of purchase. This Limited Warranty does not cover normal wear and tear, tires, tubes or cables, or any damage, failure or loss caused by improper assembly, maintenance, or storage or use of the Uber Scooter. The Limited Warranty will be void if the product is ever modified in any way.

The manufacturer is not liable for incidental or consequential loss or damage due directly or indirectly to the use of this product.

Need help?

Contact our Customer Service Team at **248-216-1351** or email us at **info@uberscooter.com**

UBER
SCOOTER
LITE GT

uberscooter.com

