

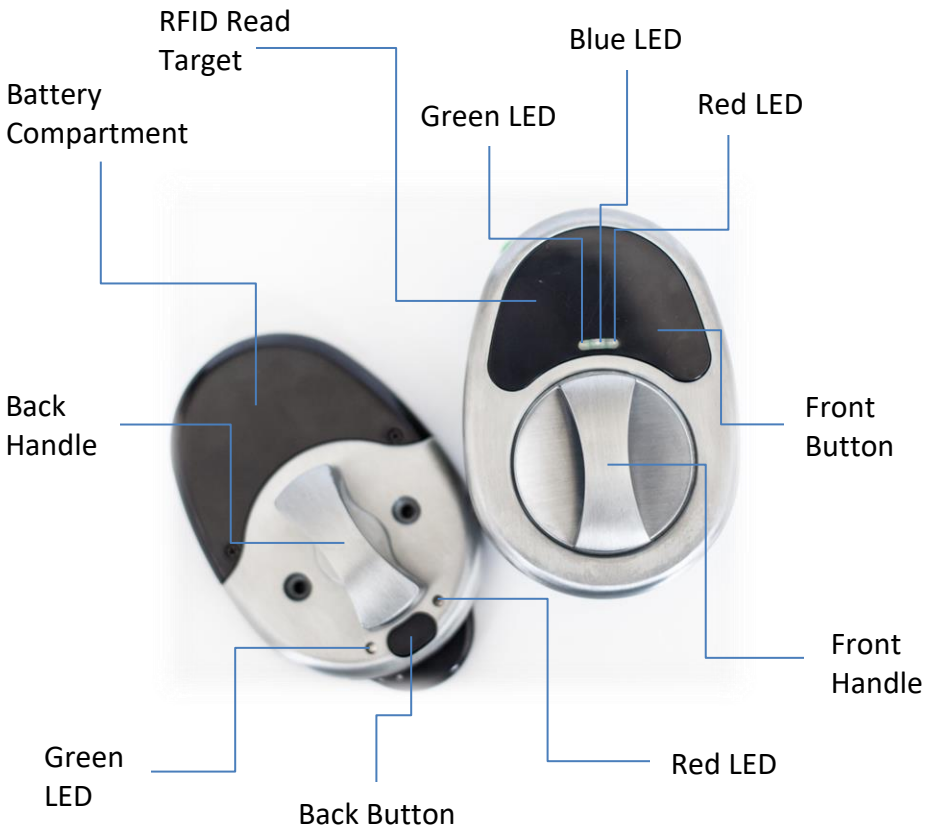
Quicklock

THE QUICKLOCK - DOORLOCK

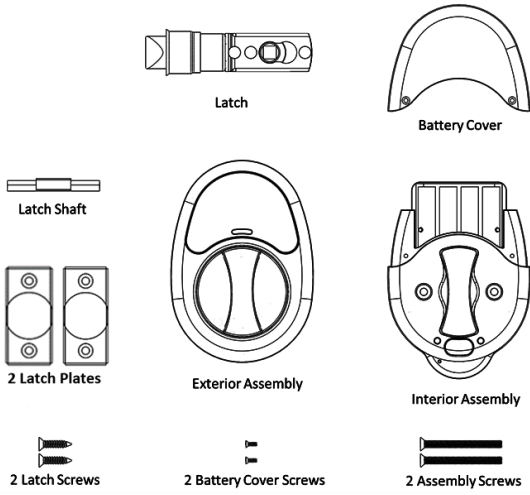
Manual and Installation Guide

Package Contents:

- 1 -- Doorlock
- 2 – RFID Key Cards
- 2 – RFID FOBs
- Required Hardware



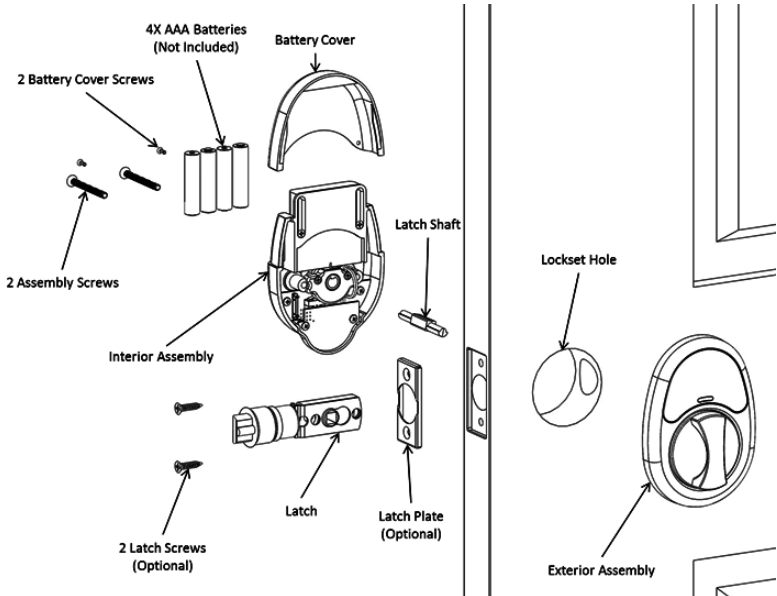
Parts



Tools required for installation

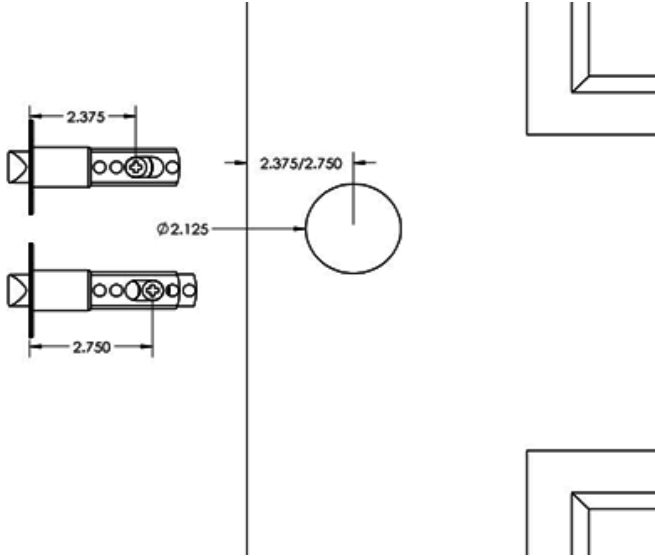
- Standard Phillips screwdriver
- Hammer
- 4 AAA Batteries

Installation Exploded view

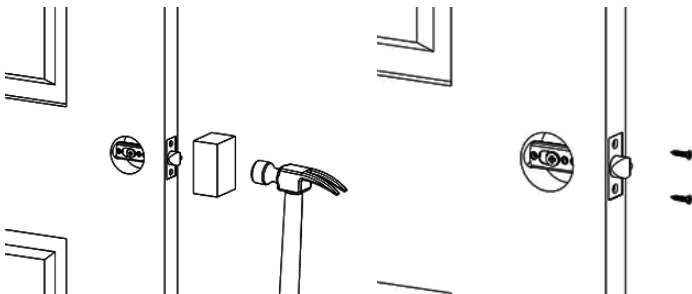


Installation steps

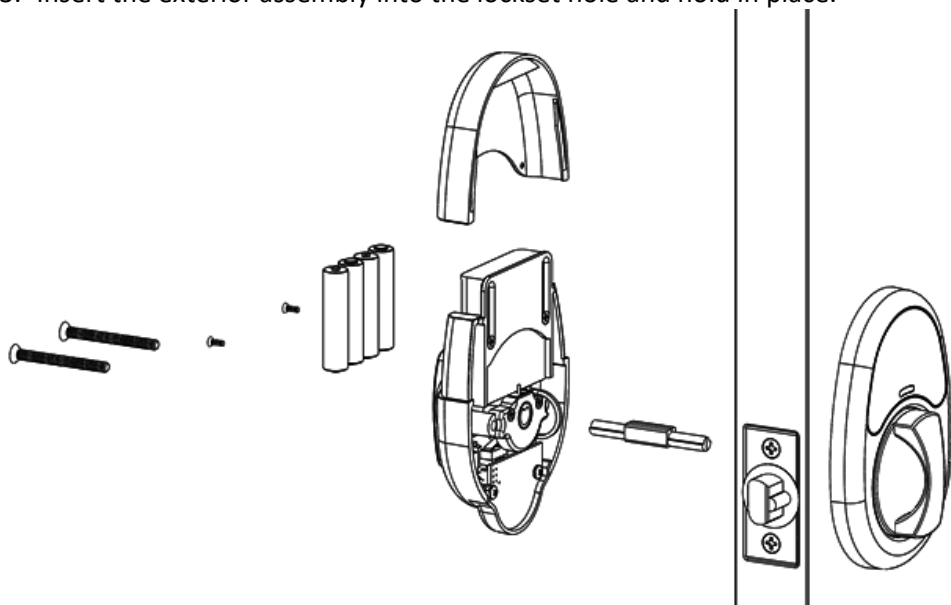
- The Doorlock is designed to be installed on any standard door. The lock is designed to work with any standard 2 1/8" (54mm) lockset hole. To install the Doorlock:
1. Determine the lock backset. The backset is the distance from the edge of the door to the center of lockset hole. Adjust the latch to the proper distance so it is aligned with the center of the lockset hole.
 - a. Determine the proper Latch Plate for your door.



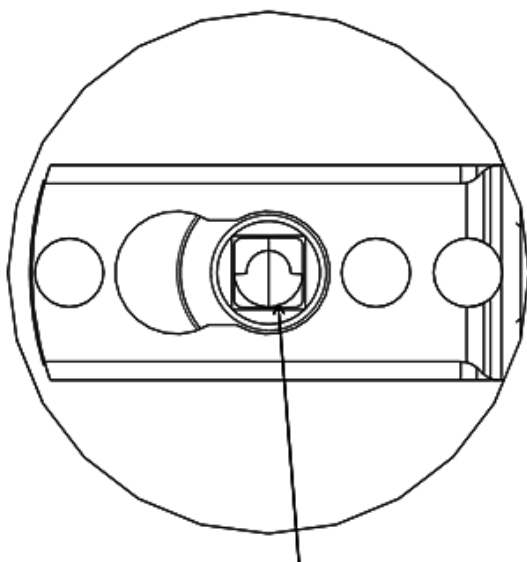
2. Install the door latch in the door as shown below. Ensure the bevel of the latch assembly faces the door jamb. Make sure that the door latch is flush with the edge of the door when installed. A hammer and wood block may need to be used to get the latch flush if the fit is tight. Once the latch assembly is in place, use the latch screws (when a latch plate has been installed) to secure the it to the door.



3. Insert the exterior assembly into the lockset hole and hold in place.

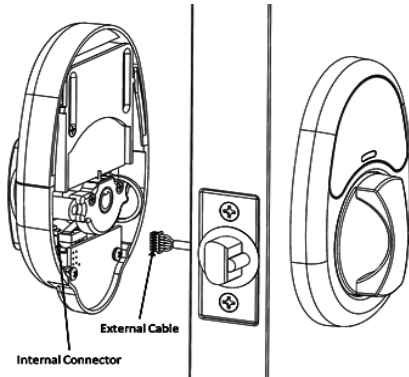


4. Install the latch shaft into the door latch with the larger diameter facing down.

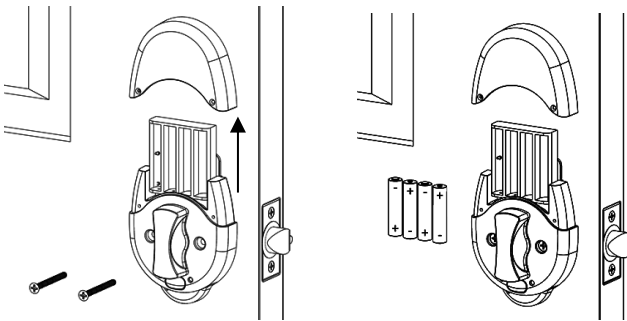


Latch Shaft
Large Diameter Down

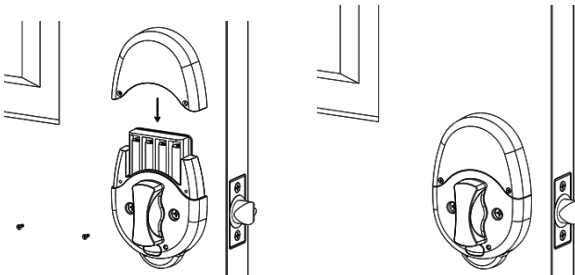
5. Attach cable from the exterior assembly to the interior assembly (the cable needs to be installed with the plastic nub on the external cable fitting inside of the small hole on the internal connector).



6. Install the interior assembly into the lockset hole and insert screws. Make sure that the screws are aligned with the holes and hand-start the screws before tightening with a screwdriver. Install four AAA batteries in the battery compartment. Batteries should be oriented as shown.



7. Push battery compartment down into the housing and slide battery cover over the batteries. Screw into place using 2 battery cover screws (do not overtighten as plastic could crack).



Unlocking and Locking the Doorlock from the Front with RFID

- The included RFID's (2 cards and 2 FOBs) are preprogrammed to the Doorlock.
- To Unlock and Lock the Doorlock:
 1. Press the front button on the Doorlock (a blue LED will begin to blink).
 2. With the blue LED blinking, place a programmed RFID directly over the front button of the Doorlock (the motor/servo will activate, and the LED will be solid green – indicating that the Doorlock is unlocked).
 3. The Doorlock can now be opened (turn the handle).
 - The Doorlock will power down after 3 seconds.
 4. To lock the Doorlock from the front, press the front button again (a blue LED will begin to blink).
 5. Place a programmed RFID directly over the front button of the Doorlock (the motor/servo will activate, and the LED will be solid red -- indicating that the Doorlock is locked).
 6. ****Note**, if the green LED lights up, you have just unlocked the door again. If this continues, you may be in persistent lock mode, "Persistent Lock Mode" (*see below).

Unlocking and Locking the Doorlock from the Back (RFID not necessary)

- For safety reasons, whether locked or unlocked, the Doorlock will always open when turning the handle from the back. This will allow someone to escape in case of an emergency.
 1. When the back handle is turned, the front handle will unlock automatically
 2. The Doorlock will lock itself after 3 seconds if "Persistent Lock Mode" is on (*see below).
- To lock or unlock the Doorlock from the back, press the back button.
 1. The red LED on the back will light up indicating that the front handle has been locked.
 2. The green LED on the back will light up indicating that the front handle has been unlocked.

Persistent Lock Mode

- You can set the Doorlock to automatically lock after every unlock.
 - To do this, hold the back button down for 5 seconds.
 - The red LED on the back will light up indicating that you are now in Persistent Lock Mode.
 1. While in this mode, every time the Doorlock is unlocked, it will automatically lock again within 5 seconds.
 2. To exit Persistent Lock Mode, hold the back button down again for 5 seconds. The green LED on the back will light up indicating that you have exited Persistent Lock Mode.
-

Unlocking the Doorlock using Bluetooth

- Create a free account on a web browser.
 1. Go to www.lynkd.com.
 2. Select 'Login' in the upper right-hand corner.
 3. Select 'Don't have a LYNKD Account? Sign Up' on the new page.
 4. Select 'Don't Have Code'.
 5. Change plan to a Lite account and then click 'Select Lite' at the bottom.
 6. Fill out the user information and then select 'Next'.
 7. Confirm account using the email address that was used to sign up.
- Download the 'Lynkd' app from the App Store (iOS) or Google Play (Android).
- Open the 'Lynkd' app and login using your username and password.
- On the new screen, select 'Add New' and press the front button on the Doorlock.
 1. Enter the default password, 12345678.
- Select the 'Unlock' button on the new screen (the motor/servo will activate, and the LED will be solid green – indicating that the Doorlock is unlocked).
- The Doorlock can now be opened (turn the handle).
 1. The Doorlock will power down after 3 seconds.
 2. If the Doorlock is in 'Persistent Mode' it will automatically lock within 5 seconds.

Adding a new RFID to the Doorlock using Bluetooth

- Open the 'Lynkd' app and logging using your username and password.
 - On the new screen, select 'Add New' and press the front button on the Doorlock.
 1. Select your Doorlock from the list.
 2. The password should be remembered from earlier set-up.
 - Once connected, select the drop-down menu titled 'Device Access' and then select RFID.
 - On the new screen select 'Add New Tag' at the bottom of the screen.
 1. A dialogue box will open saying 'Swipe Tag to Learn.'
 - a. If too much time passes, a new dialogue box will appear 'Warning, No Tag Learned.'
 - b. If you receive this message, select 'OK' and then repeat the 'Add New Tag' step.
 2. Place the new RFID accessory over the logo of the Doorlock.
 - a. The Lynkd app will state that it is syncing the new tag and then syncing to the portal.
 - b. A new screen will open, allowing the user to name the RFID accessory and view the Tag ID # for the RFID accessory.
 - c. Press Save at the bottom of the screen
-

- The Lynkd app will automatically save if the Doorlock turns off, or the RFID fails to sync to the portal.
- The RFID will attempt to sync the next time the Doorlock is connected to the Lynkd app

Adding a new RFID to the Doorlock using a previously programmed RFID

- Use a current programmed RFID to add a new RFID to the Doorlock
 1. Press the power button on the front of the Doorlock and wave the current programmed RFID over the power button.
 2. Once the green light appears, immediately push the power button once and "wave" a new RFID over the power button.
 3. The new RFID can now be used to open the Doorlock.

Changing the Batteries

- The Doorlock runs on 4 AAA batteries.
- The Doorlock can work up to 6 months on 1 set of batteries.
- If the Doorlock runs low on battery, it will flash blue and red when you press the front button.
- To change the batteries:
 1. Remove the 2 screws from the battery cover, slide the battery cover off, and lift the battery compartment upwards.
 2. Replace the batteries and then reinstall the battery cover and screws.
- ****Note****: using different brands/types of batteries or batteries in a different state of charge may damage the Doorlock and void your warranty)

Security Disclaimer

- There is no guarantee that the Doorlock or the accompanying accessories and App cannot be tampered with, broken into, electronically hacked, or otherwise compromised. The manufacturers and sellers of the Doorlock are not responsible for theft or damage of the Doorlock or any contents stored using the Doorlock. The user is warned that it is possible for an unauthorized party to access the Doorlock and does not make claims that it is invulnerable to attack.

SAFE STORAGE. QUICK ACCESS.

The Doorlock, a dba of SafeTech Products, LLC

www.thegunbox.com - techsupport@thegunbox.com - 801-331-8655