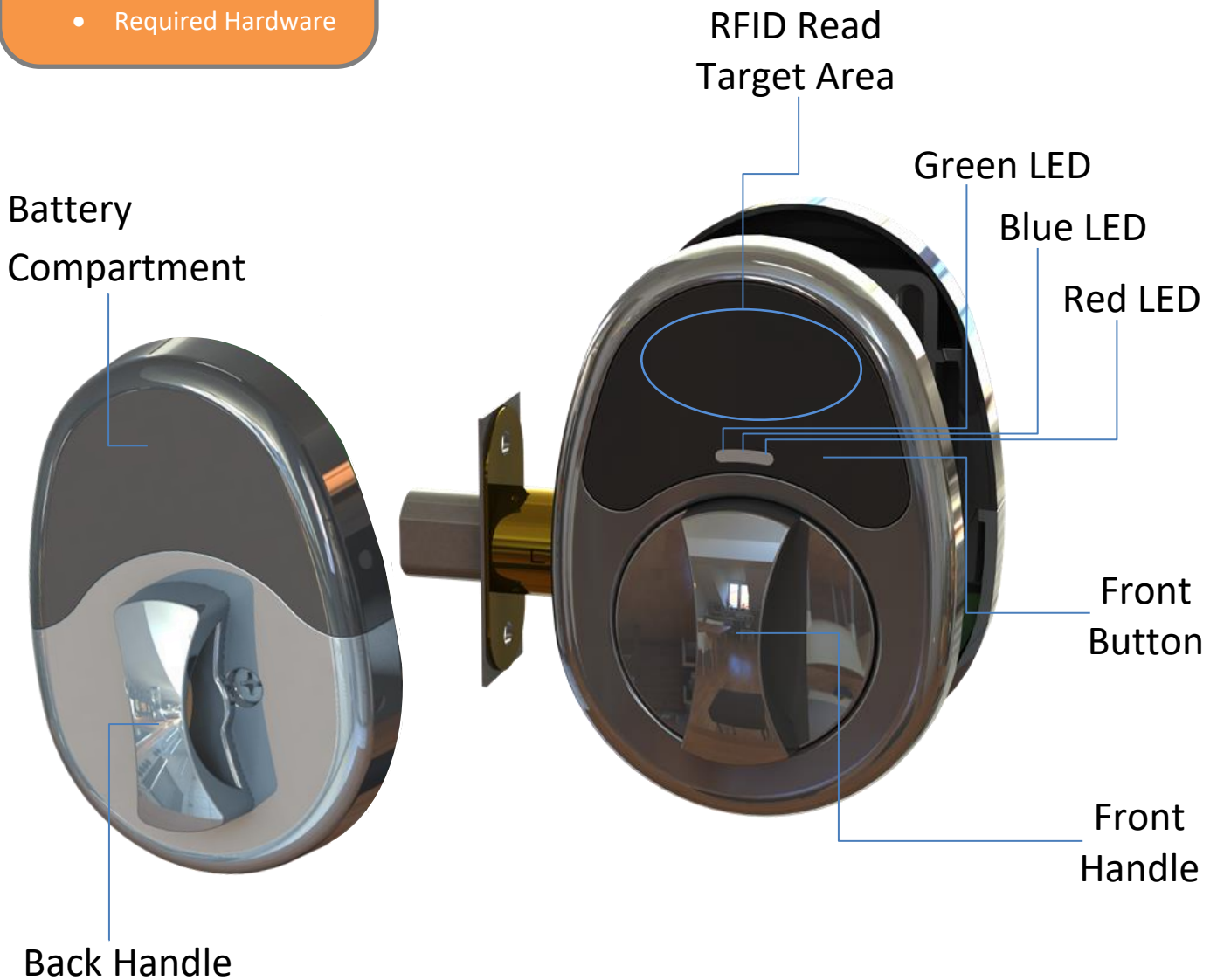


QuickBolt

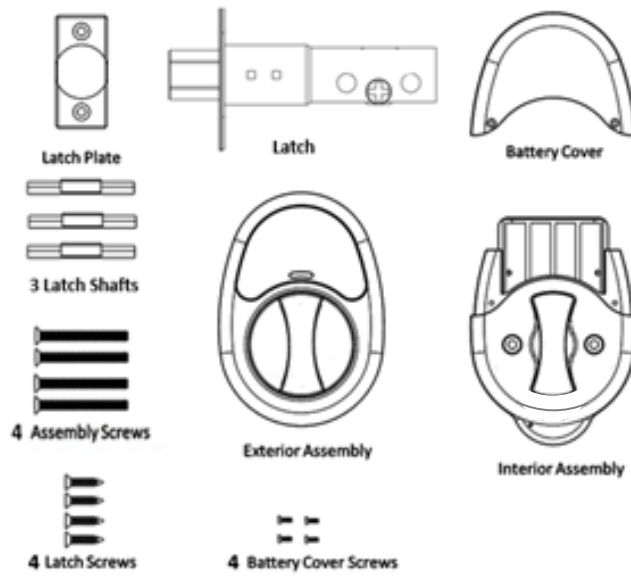
THE QUICKBOLT - DEADBOLT Manual and Installation Guide

Package Contents:

- 1 -- Deadbolt
- 1 – RFID Key Card
- 1 – RFID FOB
- Required Hardware



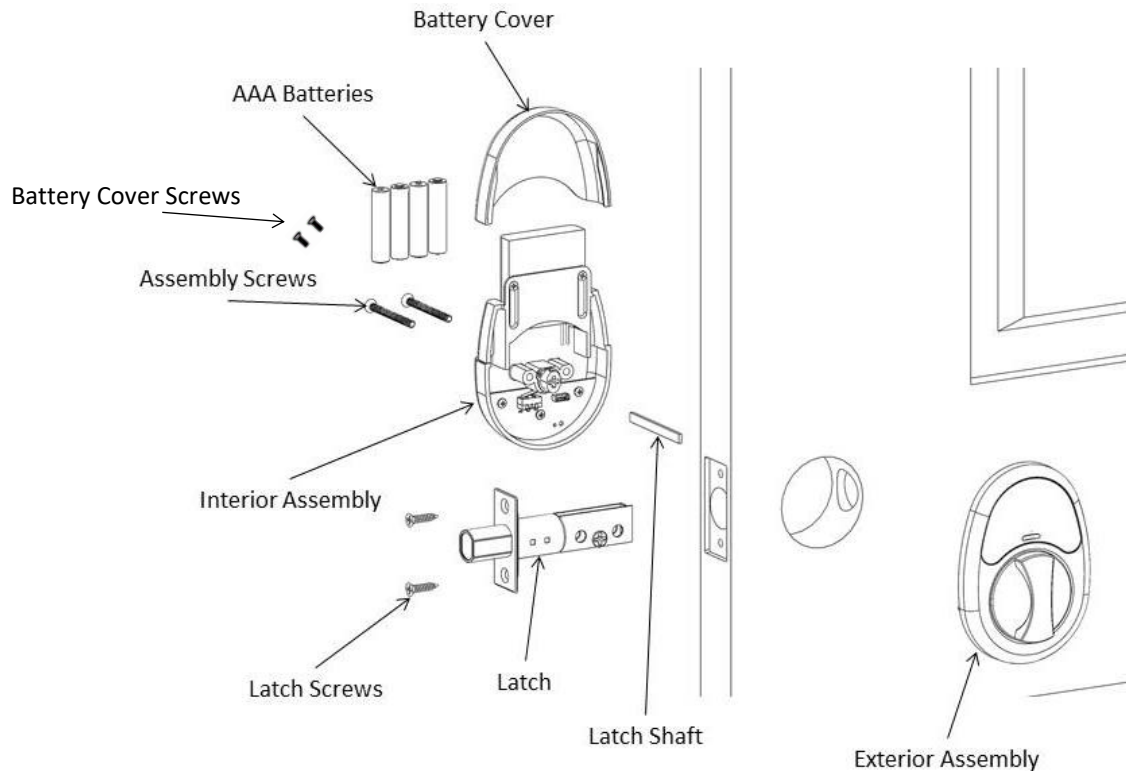
Parts



Tools required for installation

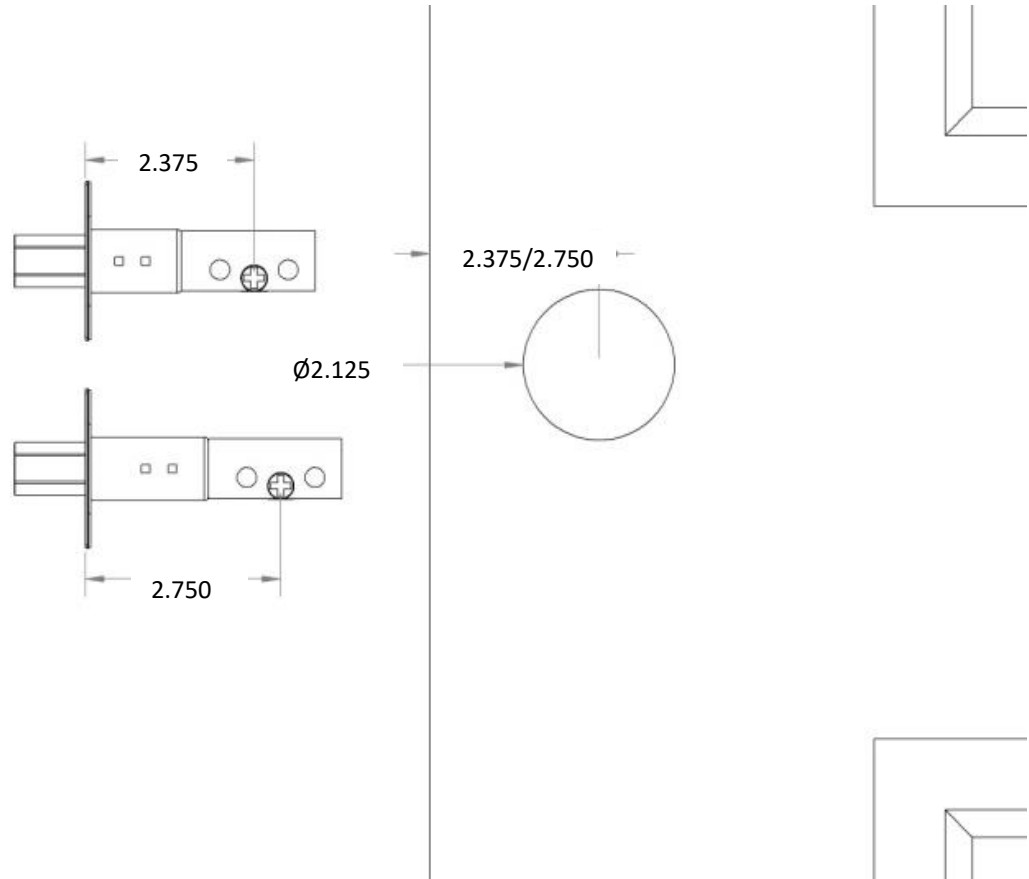
- Standard Phillips screwdriver
- Hammer
- 4 AAA Batteries

Installation Exploded view

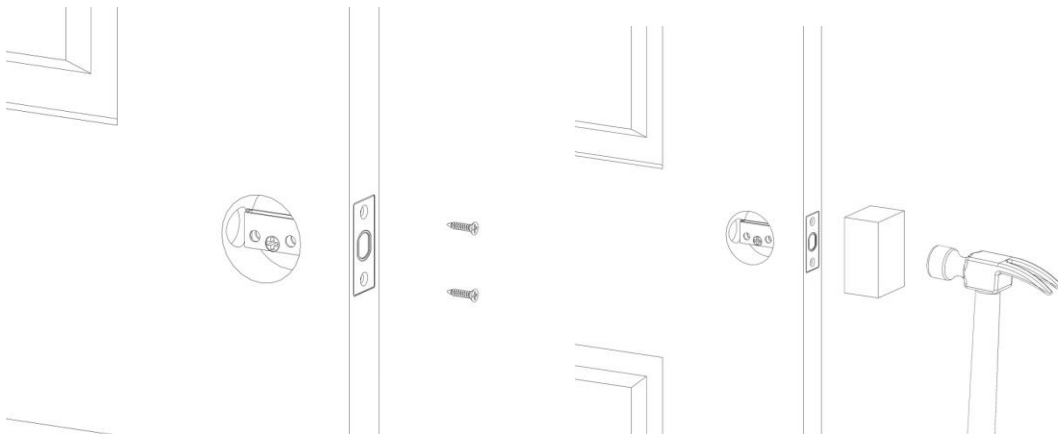


Installation steps

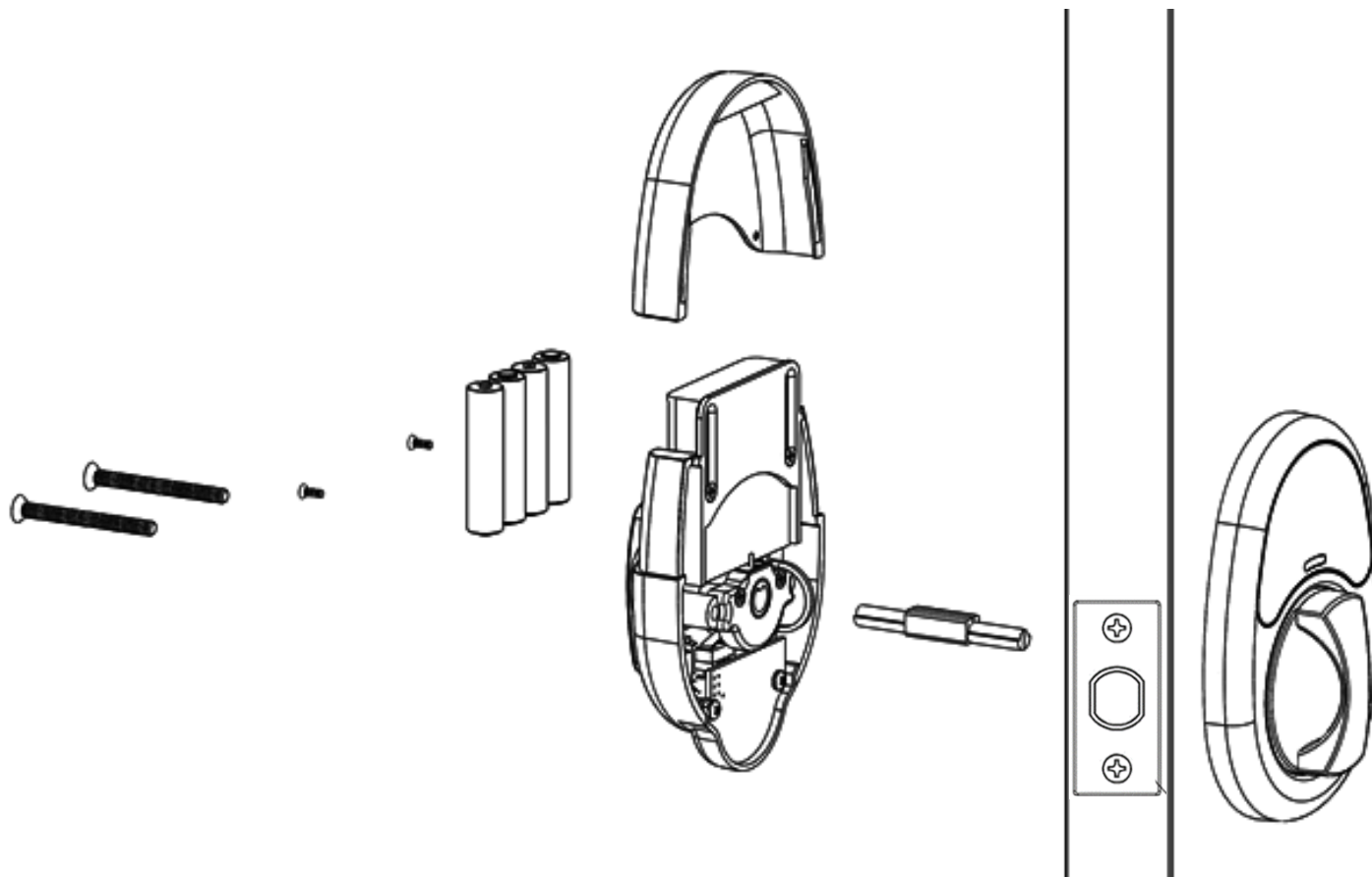
- The QuickBolt is designed to be installed on any standard interior or exterior door. The lock is designed to work with any standard 2 1/8" (54mm) lockset hole. To install the QuickBolt:
1. Determine the lock backset. The backset is the distance from the edge of the door to the center of lockset hole. Adjust the latch to the proper distance so it is aligned with the center of the lockset hole.



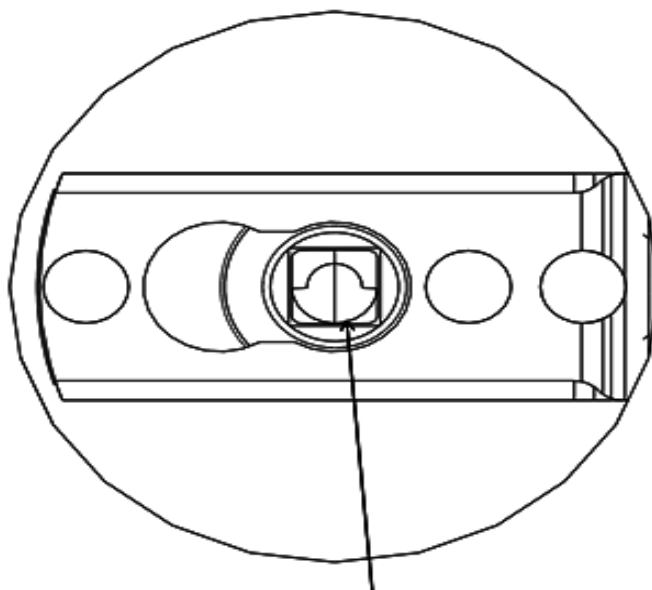
2. Install the deadbolt latch in the door as shown below. Ensure the bevel of the latch assembly faces the door jamb. Make sure that the deadbolt latch and latch plate are flush with the edge of the door when installed. A hammer and wood block may need to be used to get the latch plate flush if the fit is tight. Once the deadbolt latch is in place, use the latch screws to secure the assembly to the door.



3. Insert the exterior assembly into the lockset hole and hold in place.

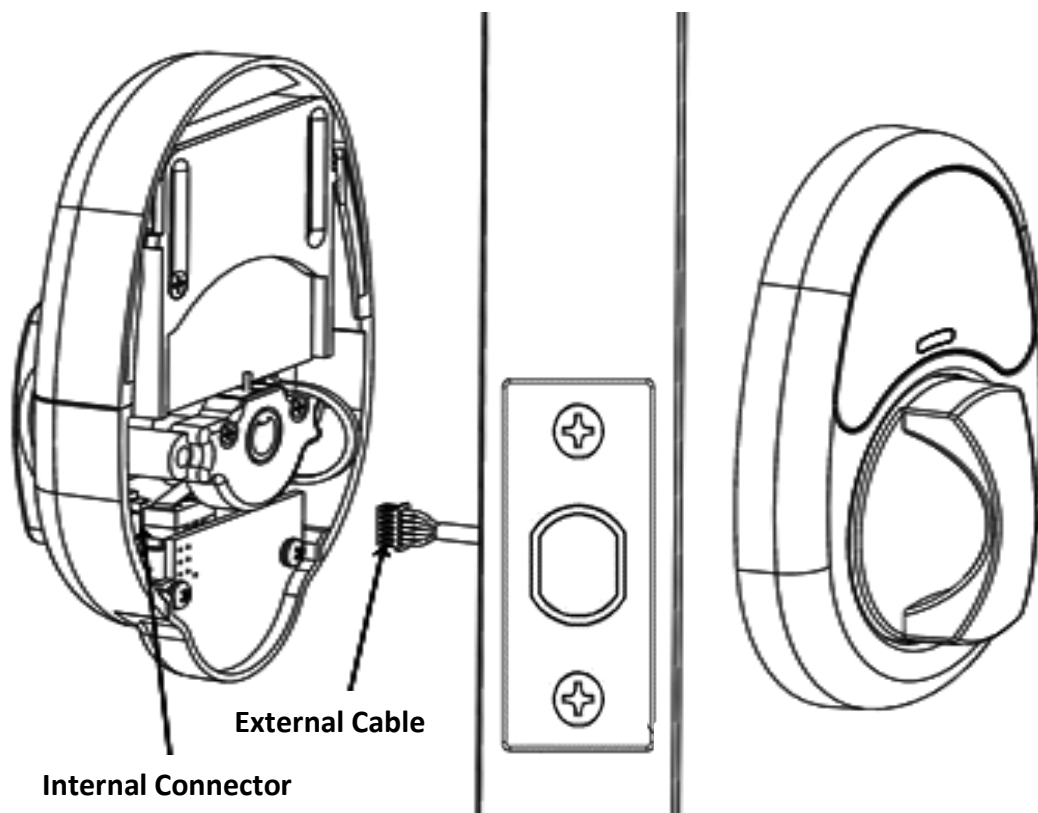


4. Install the latch shaft into the deadbolt latch with the larger diameter facing down (this side will go into the interior housing, and the one that looks like a “+” will go into the exterior housing).

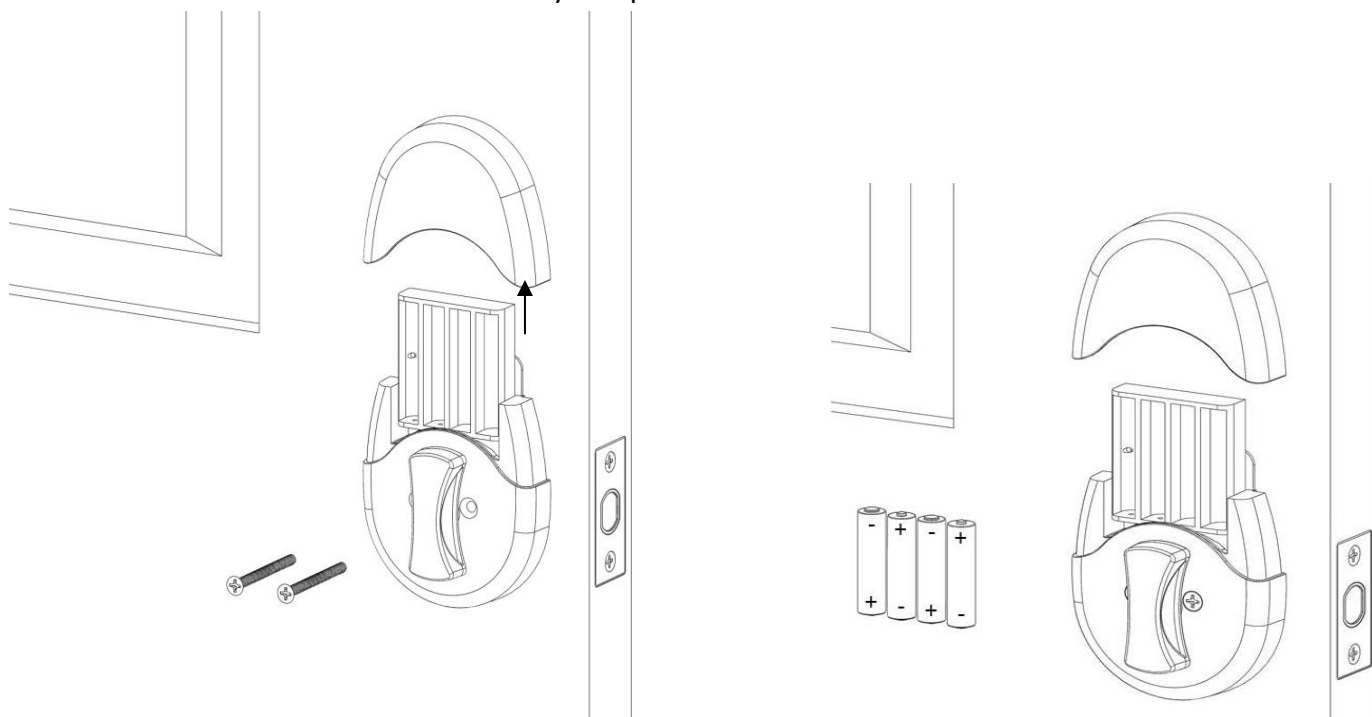


**Latch Shaft
Large Diameter Down**

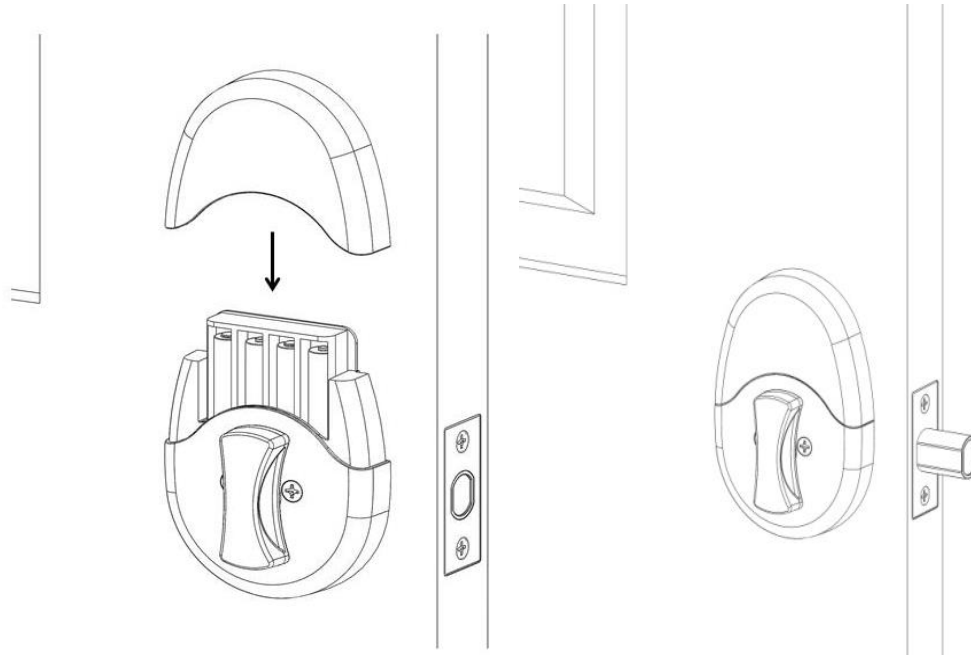
5. Attach cable from the exterior assembly to the interior assembly (the cable needs to be installed with the plastic nub on the external cable fitting inside of the small hole on the internal connector).



6. Install the interior assembly into the lockset hole and insert screws. Make sure that the screws are aligned with the holes and hand-start the screws before tightening with a screwdriver. Install four AAA batteries in the battery compartment. Batteries should be oriented as shown.



7. Push battery compartment down into the housing and slide battery cover over the batteries. Screw into place using 2 battery cover screws (do not overtighten screws as plastic could crack).



Unlocking and Locking the QuickBolt from the Front with RFID

- The included RFID's (1 card and 1 FOB) are preprogrammed to the QuickBolt.
- To Unlock and Lock the QuickBolt:
 1. Press the front button on the QuickBolt (a blue LED will begin to blink).
 2. With the blue LED blinking, place a programmed RFID directly over the front button of the QuickBolt (the motor/servo will activate, and the LED will be solid green).
 3. The QuickBolt can now be opened (turn the handle).
 4. The QuickBolt motor/servo will close and the QuickBolt will power down after 3 seconds (leaving the QuickBolt in whatever state the latch was left at – with the bolt in the locked or unlocked position).

Unlocking and Locking the QuickBolt from the Back (RFID not necessary)

- Turn the handle from the back of the QuickBolt, the bolt will change state with each handle turn.
 1. An RFID is not required to open the QuickBolt from the interior to prevent someone from being locked inside.

Unlocking the QuickBolt using Bluetooth

- Create a free account on a web browser.
 1. Go to www.lynk.com.
 2. Select 'Login' in the upper right-hand corner.
 3. Select 'Don't have a LYNKD Account? Sign Up' on the new page.
 4. Select 'Don't Have Code'.
 5. Change plan to a Lite account and then click 'Select Lite' at the bottom.

6. Fill out the user information and then select 'Next'.
 7. Confirm account using the email address that was used to sign up.
- Download the 'Lynkd' app from the App Store (iOS) or Google Play (Android).
 - Open the 'Lynkd' app and login using your username and password.
 - On the new screen, select 'Add New' and press the front button on the QuickBolt.
 1. Enter the default password, 12345678.
 - Select the 'Unlock' button on the new screen (the motor/servo will activate, and the LED will be solid green).
 - The QuickBolt can now be opened (turn the handle).
 1. The QuickBolt motor/servo will close and the QuickBolt will power down after 3 seconds (leaving the QuickBolt in whatever state the latch was left at – with the bolt in the locked or unlocked position).

Adding a new RFID to the QuickBolt using Bluetooth

- Open the 'Lynkd' app and log-in using your username and password.
- On the new screen, select 'Add New' and press the front button on the QuickBolt.
 1. Select your QuickBolt from the list.
 2. The password should be remembered from earlier set-up.
- Once connected, select the drop-down menu titled 'Device Access' and then select RFID.
- On the new screen select 'Add New Tag' at the bottom of the screen.
 1. A dialogue box will open saying 'Swipe Tag to Learn.'
 - a. If too much time passes, a new dialogue box will appear 'Warning, No Tag Learned.'
 - b. If you receive this message, select 'OK' and then repeat the 'Add New Tag' step.
 2. Place the new RFID accessory over the logo of the QuickBolt.
 - a. The Lynkd app will state that it is syncing the new tag and then syncing to the portal.
 - b. A new screen will open, allowing the user to name the RFID accessory and view the Tag ID # for the RFID accessory.
 - c. Press Save at the bottom of the screen
 - The Lynkd app will automatically save if the QuickBolt turns off, or the RFID fails to sync to the portal.
 - The RFID will attempt to sync the next time the QuickBolt is connected to the Lynkd app

Adding a new RFID to the QuickBolt using a previously programmed RFID

- Use a current programmed RFID to add a new RFID to the QuickBolt
 1. Press the power button on the front of the QuickBolt and wave the current programmed RFID over the power button.
 2. Once the green light appears, immediately push the power button once and "wave" a new RFID over the power button.

- 3. The new RFID can now be used to open the QuickBolt.

Changing the Batteries

- The QuickBolt runs on 4 AAA batteries.
- The QuickBolt can work up to 6 months on 1 set of batteries.
- If the QuickBolt runs low on battery, it will flash blue and red when you press the front button.
- To change the batteries:
 1. Remove the 2 screws from the battery cover, slide the battery cover off, and lift the battery compartment upwards.
 2. Replace the batteries and then reinstall the battery cover and screws.
- ****Note**** Using different brands/types of batteries or batteries in a different state of charge may damage the QuickBolt and void your warranty).

Security Disclaimer

- There is no guarantee that the QuickBolt or the accompanying accessories cannot be tampered with, broken into, electronically hacked, or otherwise compromised. The manufacturers and sellers of the QuickBolt are not responsible for theft or damage of the QuickBolt or any contents secured using the QuickBolt. The user is warned that it is possible for an unauthorized party to access the QuickBolt and does not make claims that it is invulnerable to attack.

SAFE STORAGE. QUICK ACCESS.

The QuickBolt, a dba of SafeTech Products, LLC
www.thegunbox.com - techsupport@thegunbox.com - 801-331-8655