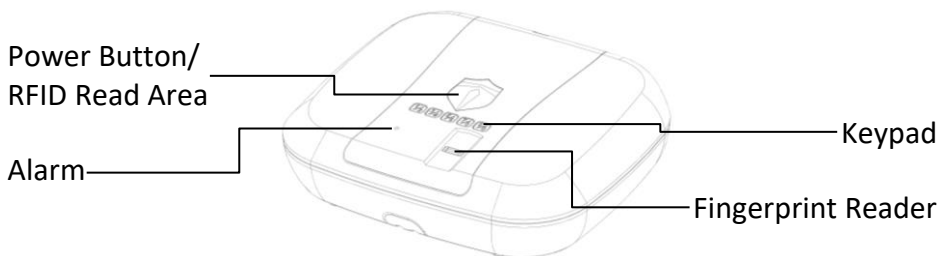
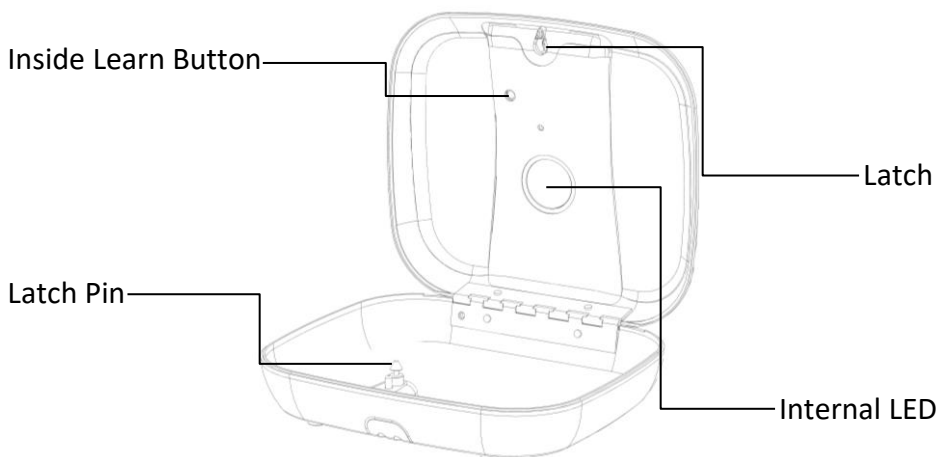




THE GUNBOX

Quick Start Guide



Gunbox Echo Plus

Basic Functions

Opening the Gunbox Echo Plus with RFID

- The 4 RFID tags (2 cards and 2 FOBs) that come with the Gunbox Echo Plus will be preprogrammed to the Gunbox Echo Plus.
- To open the Gunbox Echo Plus using one of the preprogrammed RFID tags, press the power button on the Gunbox Echo Plus. A blue LED will begin to flash.
- With the blue LED flashing, place one of the included preprogrammed RFID tags up close to the power button and the Gunbox Echo Plus will pop up making it easy to open.

Closing the Gunbox Echo Plus

- The Gunbox Echo Plus closes easily by pressing down on the top front of the Gunbox Echo Plus. The latches are spring loaded and will automatically latch.

Programming an additional RFID Tag

- To program an RFID tag, start with the Gunbox Echo Plus open. Press the inside learn button and the Gunbox Echo Plus will begin to beep twice repeatedly with a brief pause between each pair of beeps, and the blue LED on the Gunbox Echo Plus will begin to flash. Within 10 seconds, place an RFID Tag directly over the power button to record that RFID tag. You will hear 6 rapid beeps and the green LED will flash rapidly to indicate that the card has been recorded to the Gunbox Echo Plus.
- Up to 20 RFID tags can be stored to the Gunbox Echo Plus.

Programming a Fingerprint

- **IMPORTANT- The fingerprint reader takes a scan of your fingerprint during programming. As fingerprints change over time and because of weather changes throughout the year, we recommend that you reprogram your fingerprint every 4 months. This will ensure that your Gunbox Echo Plus reads your fingerprint properly each time.**
- To program a fingerprint, start with the Gunbox Echo Plus open. Press the inside learn button and the Gunbox Echo Plus will begin to beep twice repeatedly with a brief pause between each pair of beeps, and the blue LED on the Gunbox Echo Plus will begin to flash. Within 10 seconds, place your finger on the plastic directly above the fingerprint reader and swipe your finger down over the Fingerprint Reader. The Gunbox Echo Plus will rapidly beep 3 times with the green LED blinking each time your finger is read. Continue programming by swiping your finger again over the fingerprint reader. This process usually takes 5-10 swipes, but can require more swipes. When recorded, the Gunbox Echo Plus will beep rapidly 6 times with green LED blinks, to indicate that your fingerprint has been stored to the Gunbox Echo Plus.
- Only 10 fingerprints should be stored into the Gunbox Echo Plus.

Opening with a Fingerprint

- To open the Gunbox Echo Plus with a fingerprint, place your finger on the plastic directly above the fingerprint reader and wait until the blue LED turns on (about 1 second). Once the blue LED has turned on, swipe your finger over the Fingerprint Reader and the Gunbox Echo Plus will open.

Programming the Keypad

- To program a key code, start with the Gunbox Echo Plus open. Press the inside learn button and the Gunbox Echo Plus will begin to beep twice repeatedly with a brief pause between each pair of beeps, and the blue LED on the Gunbox Echo Plus will begin to flash. Within 10 seconds, enter a code by pressing the keypad buttons (make sure to enter the code quickly, as the Gunbox Echo Plus will time out with 3 seconds of inactivity. With each keypad press, the Gunbox Echo Plus will beep and flash green indicating that the key press was recorded. **The code must be 5-10 digits.** After entering the code, press the Power button once more to store the code (the code will also be stored by waiting 3 seconds for the Gunbox Echo Plus to time out). To change the code, follow the steps again. The previous code will be removed and replaced by the new code. After programming a new code, use that code to open the Gunbox once to make sure that the code was entered correctly.

Opening with a Keypad

- To open the Gunbox Echo Plus with the keypad, enter the correct code using the keypad buttons. The Gunbox Echo Plus will then open. If you have entered an incorrect code, or pressed a wrong button, wait for the Gunbox Echo Plus to time out (this will be indicated by the red led blinking).

Turning the Audible Alarm Feature On and Off

- The Gunbox Echo Plus is equipped with a tamper alarm to alert you if the Gunbox Echo Plus has been moved. To turn on the alarm feature, open the Gunbox Echo Plus and press and hold the inside learn button for 5 seconds, the Gunbox Echo Plus will beep and flash red for 1 minute while arming. After arming for 1 minute, any movement of the Gunbox Echo Plus will cause it to beep and flash red until it is disarmed. To turn off the alarm feature, simply use an RFID, fingerprint or keypad and the alarm will turn off. After disarming, enable the alarm again by pressing and holding the inside learn button again for 5 seconds.

Deleting All RFIDs

- To delete all RFID tags, press the inside learn button and then hold down the 9 button for 5 seconds. The Gunbox Echo Plus will blink green and beep twice to indicate that all RFIDs have been removed. **Caution: do not close the Gunbox Echo Plus after deleting all RFID tags unless you have access to the Gunbox Echo Plus through fingerprint, key code, or by programming a new RFID tag into the Gunbox Echo Plus, or you will lose access to the Gunbox Echo Plus.**

Deleting All Fingerprints

- To delete all fingerprints, press the inside learn button and then hold down the 1 button for 5 seconds. The Gunbox Echo Plus will blink green and beep twice to indicate that all fingerprints have been removed. **Caution: do not close the Gunbox Echo Plus after deleting all fingerprints unless you have access to the Gunbox Echo Plus through RFID, key code, or by programming a new fingerprint into the Gunbox Echo Plus, or you will lose access to the Gunbox Echo Plus.**

Deleting the Key Code

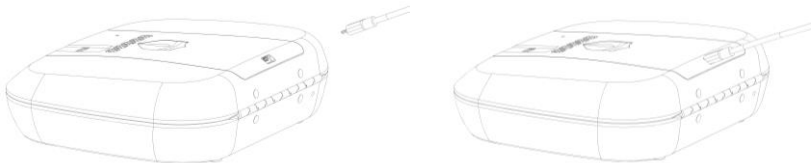
- To delete the key code, press the inside learn button and then hold down the power button for 5 seconds. The Gunbox Echo Plus will blink green and beep twice to indicate that they key code has been removed. **Caution: do not close the Gunbox Echo Plus after deleting the key code unless you have access to the Gunbox Echo Plus through RFID, fingerprint, or by programming a new key code into the Gunbox Echo Plus, or you will lose access to the Gunbox Echo Plus.**

Updates

- The Gunbox Echo Plus is capable of firmware updates over Wi-Fi. Make sure that The Gunbox, LLC has your correct email address so you will be informed when firmware updates become available.

Charging the Gunbox Echo Plus

- The Gunbox Echo Plus is powered by a battery and can work for up to 3 months without charging. To charge the battery, plug the included charge cable into the back of the Gunbox Echo Plus. Be carefully to not damage the connector when inserting and removing the cable.





The Gunbox, LLC

www.thegunbox.com - techsupport@thegunbox.com - 801-331-8655