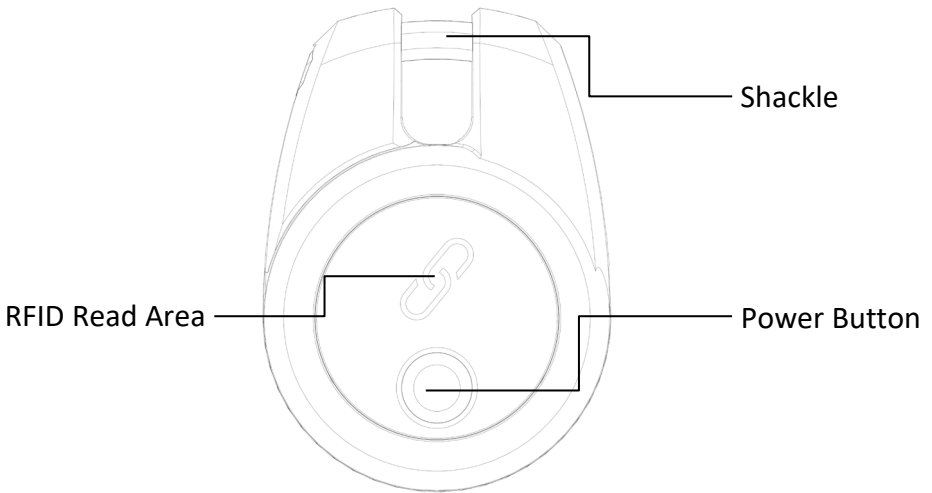

the Alertlock

Quick Start Guide



Please Charge Alertlock Before Use

Alertlock
Software Version 3.3

Basic Functions

Opening the Alertlock

- The 2 RFID tags (1 card and 1 FOB) that come with the Alertlock are preprogrammed to the Alertlock. If you have upgraded the software on your Alertlock, you will need to reprogram the RFID Tags to your Alertlock again.
- To open the Alertlock using one of the preprogrammed RFID tags:
 1. Press the power button on the Alertlock to wake it up. A blue LED will begin to flash.
 2. With the blue LED flashing, place one of the included preprogrammed RFID tags and slowly wave it up close to the power button. The green LED will illuminate and the Alertlock will unlock making it easy to rotate open.

Closing the Alertlock

- The Alertlock closes easily by rotating it closed. The latches are spring loaded and will automatically latch.

Charging the Alertlock

- The Alertlock is battery powered will last up to 3 months on a single charge. To charge the battery, plug the included charge cable into the back of the Alertlock. Be carefully to not damage the connector when inserting and removing the cable. Plug the USB end into any phone power adapter and charge for 2 hours.

FAQs

- How do I add another RFID card to the Alertlock?
 - This is done using the Lynkd App and a paid subscription.
- How do I turn on the alarm?
 - This is done using the Lynkd App and a paid subscription.
- How do I get notifications?
 - This is done using the Lynkd App and a paid subscription.

Troubleshooting

- What happens if the lock runs out of battery and it can't be plugged in to a power outlet?
 - The lock will need to be charged using a portable USB charger and the cable that came with the lock
- What happens if I drop the lock?
 - If the lock is dropped, it may no longer be able to open and will need to be replaced. This design was intentional to deter unauthorized access. If someone tries to damage the alertlock to gain access, it will bind up, impeding access and may need to be cut off.
- What happens if the lock won't open and I need to remove it?
 - The shackle will need to be cut off with a grinding wheel.