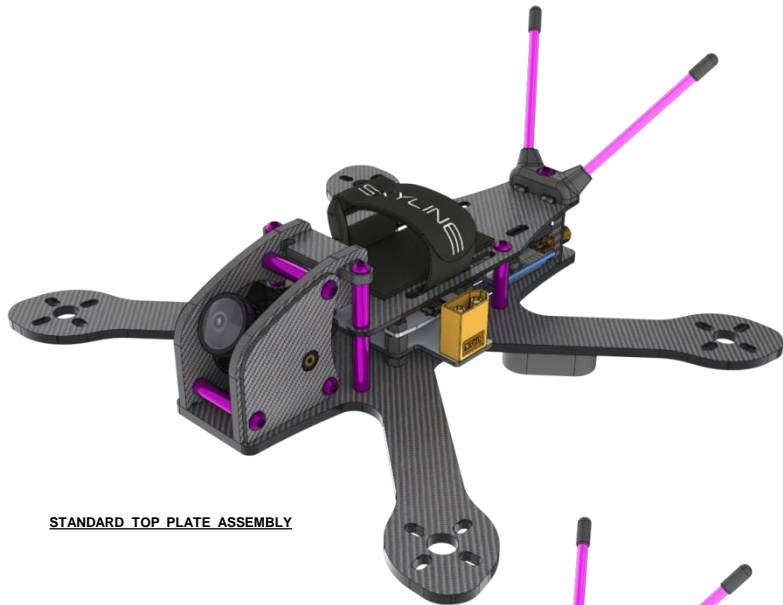
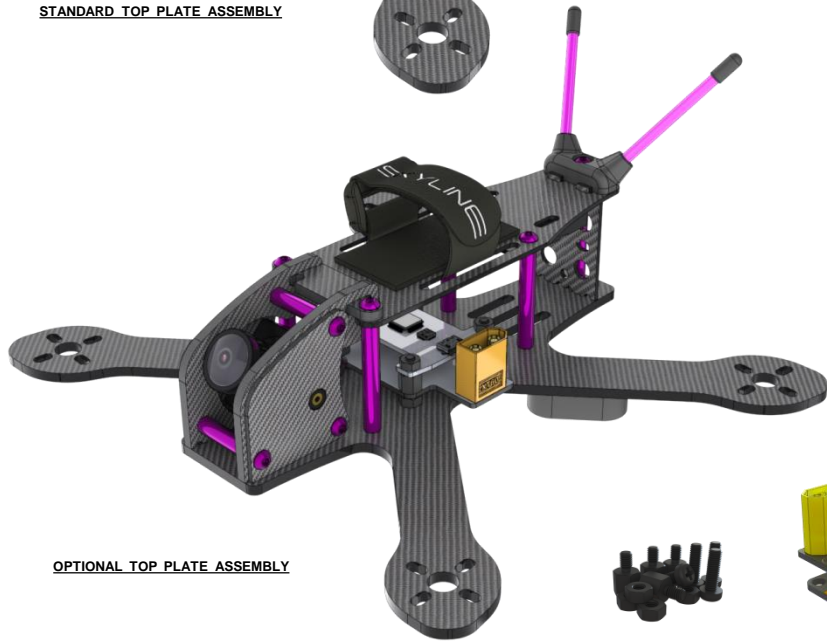


RAPTOR 210R

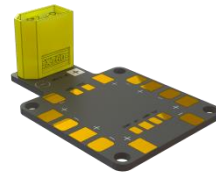


STANDARD TOP PLATE ASSEMBLY



OPTIONAL TOP PLATE ASSEMBLY

- (5) M3 X 6MM NYLON SCREWS
- (5) M3 X 10MM NYLON SCREWS
- (10) M3 NYLON NUTS
- (4) M3 X 5MM NYLON SPACERS
- (4) M3 X 6MM NYLON SPACERS



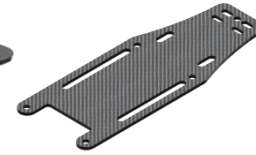
(1) POWER DISTRIBUTION BOARD (PDB)



(1) VTx CARBON FIBER TALL PLATE



(1) 3 MM CARBON FIBER MAIN FRAME



(1) 1.5 MM CARBON FIBER TOP PLATE



(2) FPV CAMERA SIDE CARBON FIBER PLATE



(2) FPV CAMERA SUPPORT CARBON FIBER PLATE



(1) Rx ANTENNA HOLDER & TUBES



(7) PURPLE ANODIZED ALUMINUM SPACER (M3 X 20 MM)



(2) PURPLE ANODIZED ALUMINUM SPACER (M3 X 15 MM M/F)



(1) RAPTOR FRONT CARBON FIBER CROSS BAR



(4) FOAM LANDING PADS



(9) M3 X 10 MM ALUMINUM SCREWS



(1) VTx CARBON FIBER PLATE



(5) PURPLE ANODIZED ALUMINUM SPACER (M3 X 35 MM)



(11) M3 X 8 MM ALUMINUM SCREWS



(1) PAIR 30 DEGREE CARBON FIBER GOPRO SESSION MOUNT



(1) PURPLE ANODIZED ALUMINUM SPACER (M3 X 25 MM)



(1) PAIR 45 DEGREE CARBON FIBER GOPRO SESSION MOUNT



(2) BATTERY STRAPS



SKYLINE

RAPTOR 210R

