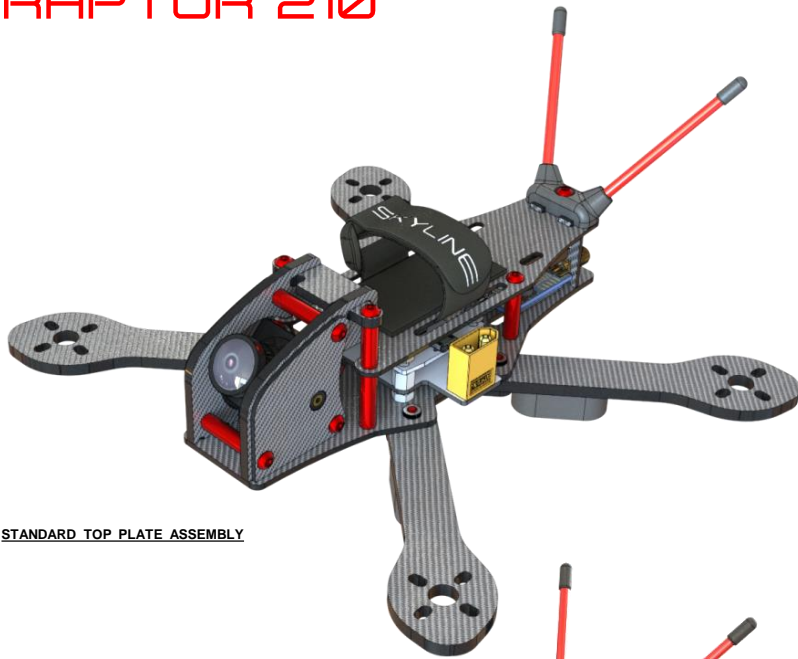
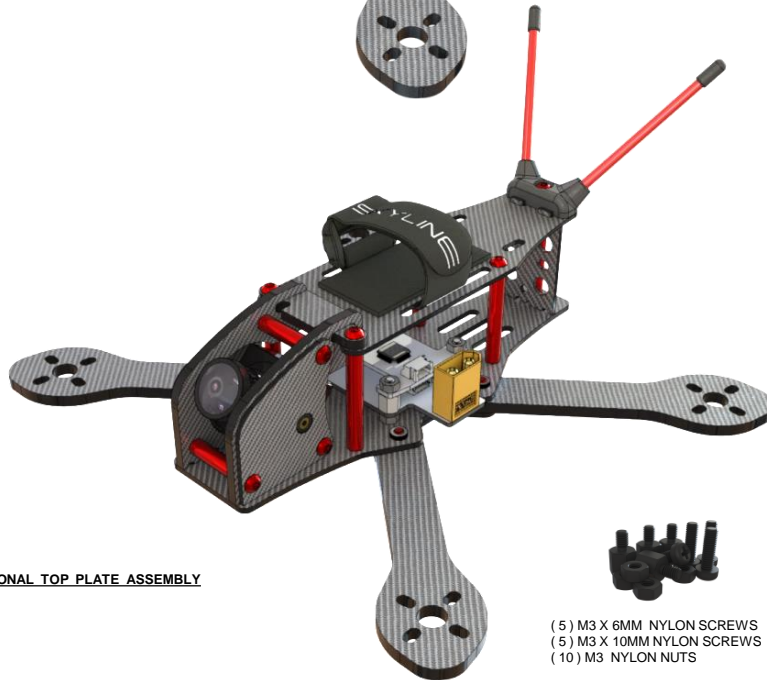


RAPTOR 210



STANDARD TOP PLATE ASSEMBLY



OPTIONAL TOP PLATE ASSEMBLY

- (5) M3 X 6MM NYLON SCREWS
- (5) M3 X 10MM NYLON SCREWS
- (10) M3 NYLON NUTS
- (4) M3 X 5MM NYLON SPACERS
- (4) M3 X 6MM NYLON SPACERS

- (1) Rx ANTENNA HOLDER & TUBES
- (1) 1.5 MM CARBON FIBER TOP PLATE
- (2) FPV CAMERA SIDE CARBON FIBER PLATE
- (4) FOAM LANDING PADS
- (7) RED ANODIZED ALUMINUM SPACER (M3 X 20 MM)
- (1) 2 MM CARBON FIBER MAIN PLATE w/ M3 PRESS NUTS
- (2) FPV CAMERA SUPPORT CARBON FIBER PLATE
- (1) RAPTOR FRONT CARBON FIBER CROSS BAR
- (1) POWER DISTRIBUTION BOARD (PDB)
- (2) RED ANODIZED ALUMINUM SPACER (M3 X 15 MM M/F)
- (1) 2 MM CARBON FIBER BOTTOM PLATE
- (1) VTx CARBON FIBER PLATE
- (9) M3 X 10 MM ALUMINUM SCREWS
- (1) PAIR 30 DEGREE CARBON FIBER GOPRO SESSION MOUNT
- (5) RED ANODIZED ALUMINUM SPACER (M3 X 35 MM)
- (11) M3 X 8 MM ALUMINUM SCREWS
- (1) PAIR 45 DEGREE CARBON FIBER GOPRO SESSION MOUNT
- (1) 4 MM CARBON FIBER CROSS BAR
- (1) 5 MM CARBON FIBER TALL PLATE
- (1) 4 MM CARBON FIBER ARMS
- (2) BATTERY STRAPS



RAPTOR 210

