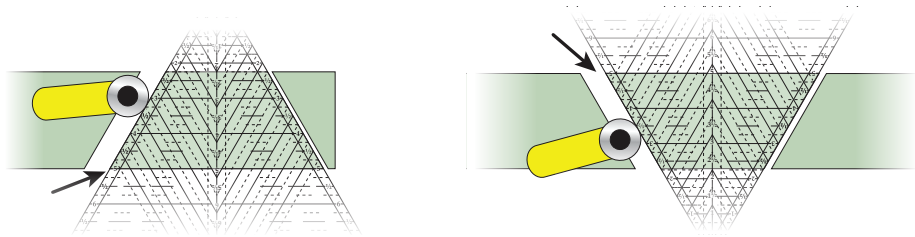
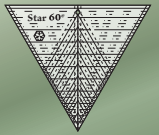
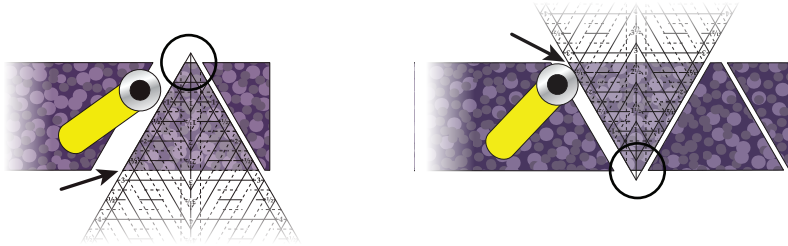


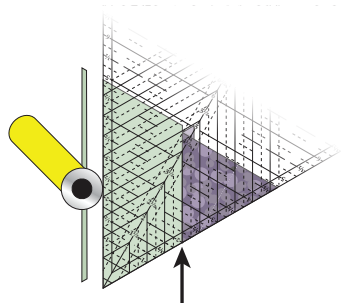
# Technique Sheet for Capped 60° Left Handed Diagrams



Steps 1 & 2 - Cut, Rotate, and Cut Again



Steps 3 & 4 - Cut, Rotate, and Cut Again



Step 7 - Trim (Base)