



Deb Tucker's
Studio 180
Design

A Running with Scissors Quilters Collaboration

Corner Pop[®]

A Tool to give you Perfectly Filled Corners
with Less Waste

Used for Making Popped Corners with a 2:1 ratio
High Precision for 21 Different Sizes
Right & Left Handed Instructions

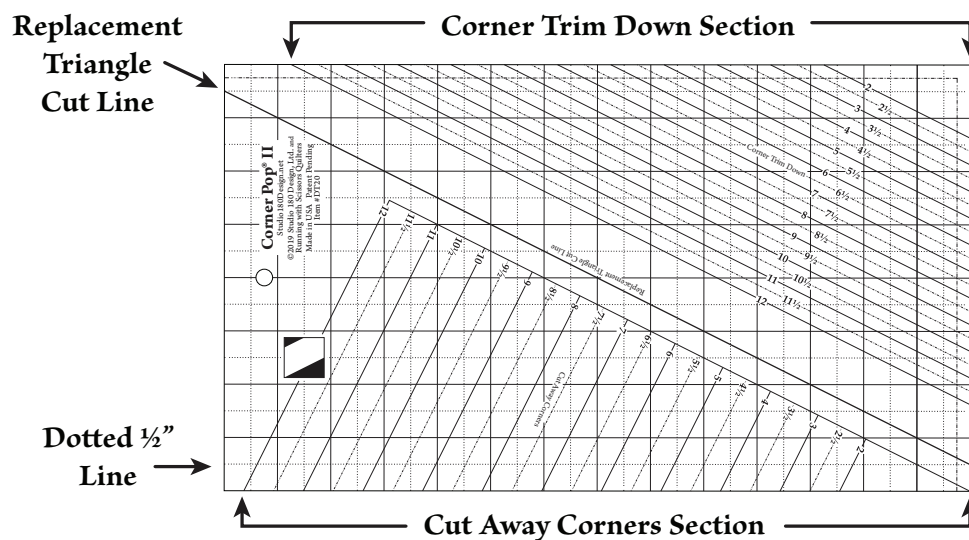
#DT20

Corner Pop® II Tool Basics

The **Corner Pop® II** is designed to add 2:1 ratio corner triangles to any base shape that has a 90° corner. There are 21 different size options available, allowing you to remove a left slanting or right slanting corner. Tool lines accurately trim away a corner, leaving the ¼" seam allowance. When oversized Replacement Triangles are added, additional guidelines and tool edges allow you to quickly clean up the corner to a perfect shape and size.

Examine the tool and diagram for the following specific sections:

- The **Cut Away Corners** section has numbers that refer to the finished height of your replaced corner triangle. These guidelines are used when trimming away a corner on the base shape.
- The **Corner Trim Down** section has diagonal lines that, when aligned with the seam of your Replacement Triangle, will allow for accurate clean up trimming.
- The **Replacement Triangle Cut Line** is a broad line used on strips or rectangles for cutting the oversized Replacement Triangles.
- The dotted ½" line is also used in cutting the Replacement Triangles.



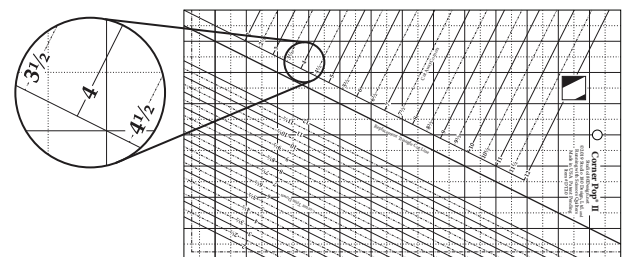
How to Use Your Corner Pop® II

Step 1 - Cut or trim your base shape to the exact size required for your project. This base shape can be a simple square, rectangle, or any pieced unit that has a 90° corner. This base shape could also be completed full size blocks or setting triangles for “on point” block arrangements.

Step 2 - Choose the size you wish to cut away from the corner. The lines and numbers on the tool refer to the finished Replacement Triangle height. Use the chart to determine which lines to use for the corner “Cut Away”, as well as the correct size to cut for the Replacement Triangle strip. A 4” Cut Away corner will be used as the example throughout the instructions. This means that the pop of color will be 4” high by 2” wide on the finished base shape.

Step 3 - Find the correct line on the **Corner Pop® II**. Examine your tool and locate the area labeled **Cut Away Corners**. The numbers indicate the finished height of the Cut Away. Solid lines indicate full inch increments, and dashed lines indicate half-inch increments.

Example: For a 4” Cut Away, you will be looking for the line labeled with the number 4.



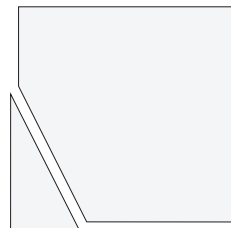
Step 3 - Find Your Line

Finished Cut Away Height	Finished Cut Away Width	Replacement Triangle Strip Width	Number of Replacement Triangles per WoF*
2	1	3	30
2½	1¼	3½	26
3	1½	4	24
3½	1¾	4½	22
4	2	5	22
4½	2¼	5½	20
5	2½	6	18
5½	2¾	6½	18
6	3	7	16
6½	3¼	7½	16
7	3½	8	14
7½	3¾	8½	14
8	4	9	14
8½	4¼	9½	12
9	4½	10	12
9½	4¾	10½	12
10	5	11	12
10½	5¼	11½	10
11	5½	12	10
11½	5¾	12½ [†]	10
12	6	13 [†]	10

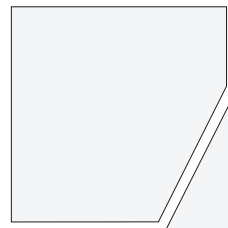
*WoF stands for width of fabric.

[†]See note following step 8 for special cutting instructions.

Step 4 - Determine if you are making a Type 1 or Type 2 Cut Away. A Type 1 Cut Away has the long side on the left and the short side on the bottom. A Type 2 Cut Away has the long side on the right and the short side on the bottom. Consult the chart on page 4 for base shape placement on cutting mat.





Type 1



Type 2

Step 4 - Type 1 and Type 2 Cut Away Corner

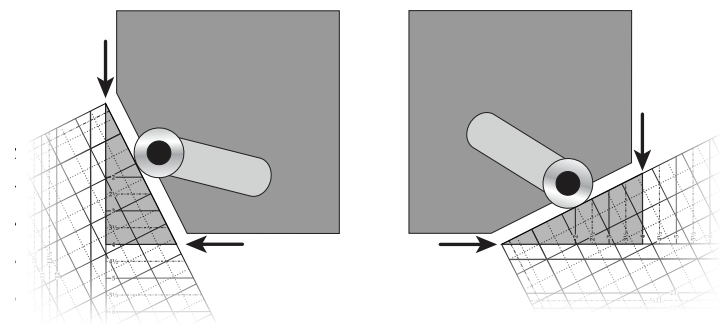
Finished Cut Away Slant (Units shown right side up)	Base Shape Orientation for Cut Away (Refer to step 5)	Replacement Triangle Strip Orientation (Refer to steps 6 & 7)	Finished Unit Trim Orientation (Refer to step 11)
Type #1 Cut Away slants from bottom to left side. 	Base shape right side up on cutting mat.	Fabric right side up on cutting mat.	Finished unit wrong side up on cutting mat.
Type #2 Cut Away slants from bottom to right side. 	Base shape wrong side up on cutting mat.	Fabric wrong side up on cutting mat.	Finished unit right side up on cutting mat.

Step 5 - Cut away a corner from your base shape. Place the tool lines over the corner you wish to cut away as shown. Right handers place the base shape corner and tool in the lower left for cutting. Left handers should place the base shape corner and tool in the lower right for cutting. Use care here to align the lines on the tool with the raw edges of the base shape. The triangle you trimmed off is excess and can be discarded or used for future scrap projects. The base shape now has the proper $\frac{1}{4}$ " seam allowance for adding the oversized Replacement Triangle.

Step 6 - Cut Replacement Triangles. Your Replacement Triangles will be slightly oversized. Cut a strip the size indicated in the Replacement Triangle Strip Width column in the chart. Trim the ends and position your strip right side up for a Type 1 Replacement Triangle or wrong side up for a Type 2 Replacement Triangle. If you are making both Type 1 and Type 2 Replacement Triangles, you can leave your strips right or wrong sides together. Right handers position the strip horizontally, left handers vertically. Align the *Replacement Triangle Cut Line* on the trimmed edge of the strip and the *Cut Away Corners* line that corresponds to your strip width along the long edge of the strip. Make an angled cut.

Example: For a 4" finished Cut Away use a 5" strip and the 5" *Cut Away Corners* line.

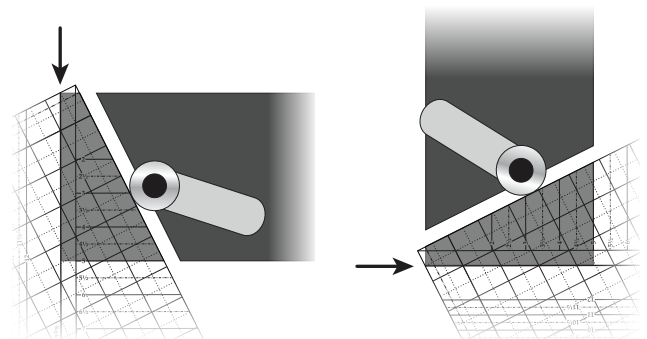
Type 1: Place base shape right side up.
Type 2: Place base shape wrong side up.



Right Handed

Left Handed

Step 5 - Cut



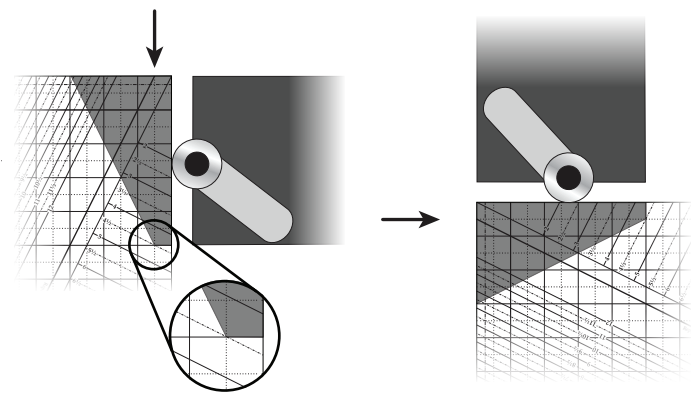
Right Handed

Left Handed

Step 6 - Cut

Step 7 - Cut again. Make the next cut straight. Align the top edge of the tool with the strip and the ½” dashed line with the point on the opposite side of the strip. Cut straight across the strip.

Step 8 - Continue making angled and straight cuts until you have the desired number of Replacement Triangles.

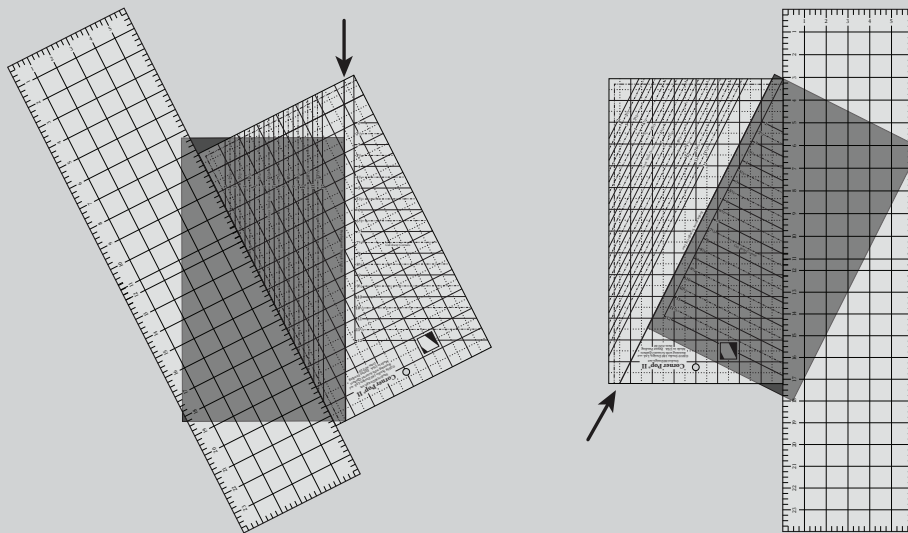


Right Handed

Left Handed

Step 7 - Cut Again

Note: To cut Replacement Triangles for the 11½” and 12” Cut Aways, you will start with rectangles rather than strips. Cut a 7½” x 12½” rectangle for the 11½” finished and a 7¾” x 13” rectangle for the 12” finished. Place the rectangle right side up for Type 1 and wrong side up for Type 2 Replacement Triangles. Align the *Replacement Triangle Cut Line* along the long edge of the rectangle to establish the angle. Place a regular ruler along the edge of the tool, remove the Corner Pop® II and cut along the edge of the ruler.

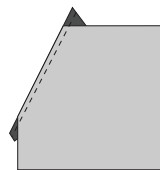


Right Handed

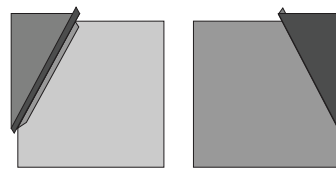
Left Handed

Step 9 - Position and stitch the Replacement Triangle onto the base shape. Center the Replacement Triangle right sides together with the base shape. Align the long diagonal edge of the Replacement Triangle with the newly trimmed edge of the base shape. Stitch with the base shape on top for the most accurate ¼” seam. You may need to make minor placement adjustments before “power sewing” your entire project. Consider making several practice pieces.

Step 10 - Press. One of the bonuses with this construction technique is that you can choose which way to press the sewn seam; toward the Replacement Triangle, toward the base shape, or open. For the greatest accuracy, press the seam open.

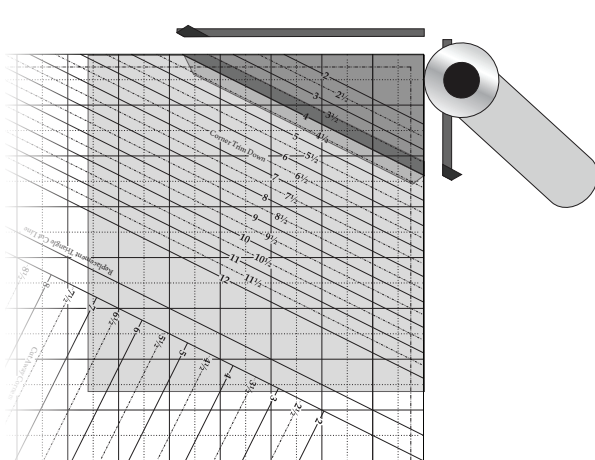


Step 9 - Stitch

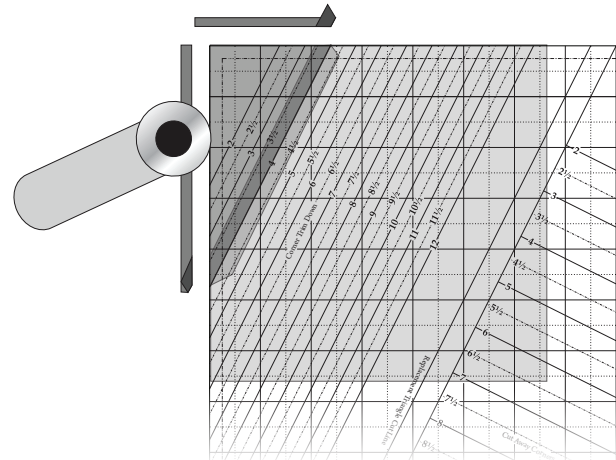


Step 10 - Press

Step 11 - Trim. You now have an oversized corner in place that is ready to be trimmed. For Type 1 units, place the finished unit wrong side up on your cutting mat. For Type 2 units, place the finished unit right side up on your cutting mat. Locate the *Corner Trim Down* section of the **Corner Pop® II** tool and find the diagonal line that corresponds to your chosen Cut Away size. For example, if you used the 4" line for your Cut Away, you will use the 4" *Corner Trim Down* line for your trim. Place the *Corner Trim Down* line on your diagonally sewn seam and line up the cutting edges of the tool with the raw edges of the base shape. See the diagrams below for right and left hand placement. In addition to the diagonal guidelines, there are half inch and full inch grid lines to help align the tool with the finished unit. Trim away the excess Replacement Triangle fabric to produce a shape that is properly sized with seams properly positioned.



Right Handed



Left Handed

Step 11 - Trim

We hope that you have enjoyed using your new **Corner Pop® II** tool. To see more unique tools and patterns by Deb Tucker, Running with Scissors Quilters, and the Studio 180 Design team, please visit our websites at: **Studio180Design.net** and **RunningwithScissorsQuilters.com**.

While you are at the Studio 180 site, check out our free online video demonstrations.

©2019 Studio 180 Design, Ltd. & Running with Scissors Quilters

All rights reserved. Printed in the USA