

Charleston Lily

A Marie Bostwick & Studio 180 Design Collaboration



Charleston Lily

Companion Pattern for Studio 180 Design's Wing Clipper® I

Quilt Designed by Deb Tucker, Studio 180 Design

Required Tools: [Wing Clipper® I](#)

Recommend tools: [Four Patch Square Up®](#), [Tucker Trimmer® III](#), and [Quilter's Magic Wand™](#).

Project Size: 17" x 60"

This project is designed to go along with Marie Bostwick's Book *The Restoration of Celia Fairchild*, with a nod to beautiful Charleston, South Carolina, a key location in the novel. You will create your Carolina Lily blocks using my "No Y Seam Carolina Lily" technique. You can practice the technique on this great small project and end up with a unique and fun table runner.

Fabric Requirements

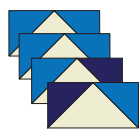
Based on 40" of usable fabric with few cutting errors.

Fabric	Yardage
Medium Scraps	12 pieces at least 3" x 20" each
Dark	½ yard
Light (Background)	¾ yard
Multi	⅜ yard
Outer Border & Binding	1 yard
Backing	1½ yards pieced (or 1⅞ yards unpieced)

It is recommended that you read through the instructions to familiarize yourself with the steps before you begin, and, of course, that you use your best skills when cutting, sewing, and pressing.

We'll start with the summary of the units you will need to create for this quilt.

Unit Summary



Flying Geese

1½" x 3" finished (2" x 3½" unfinished)

Make 12 sets of 4

Medium Scraps, Dark, & Light



Flower Center

3" x 3" finished (3½" x 3½" unfinished)

Make 12

Medium Scraps & Dark

Cutting Instructions

Note: wof stands for width of fabric.

Fabric	Piece	Cutting
Medium Scraps	Flying Geese Small Squares	Cut 36 squares 2½" x 2½". Cut in sets of 3 squares to create a total of 12 sets of matching petals.
	Squares	Cut 12 squares 2¼" x 2¼", one to match each of the 12 sets of 3 Flying Geese squares.
	Rectangles	Cut 12 rectangles 2¼" x 3¾", one to match each of the 12 sets of 3 Flying Geese squares.

Fabric	Piece	Cutting
Dark	Flying Geese Small Squares	Cut 12 squares 2½" x 2½"
	Squares	Cut 12 squares 2¼" x 2¼"
	Bias Strips	Cut 1 strip 8½" x wof; sub-cut into 1¼" bias strips as shown in step 14.
Light (Background)	Flying Geese Large Squares	Cut 2 strips 4½" x wof; sub-cut into 12 squares 4½" x 4½"
	Corner Squares	Cut 3 strips 2" x wof; sub-cut into 48 squares 2" x 2"
	Triangles	Cut 1 strip 5¼" x wof.
Multi	Setting Triangles	Cut 1 strip 5¼" x wof.
Outer Border	Outer Border	Cut 4 strips 2½" x wof.
	Binding	Using preferred method, cut 2¼" strips and piece to make 160" of binding.

When cutting your medium scraps, if you want flowers that have all the same fabric in them, you need to cut 3 squares 2½" x 2½", 1 square 2¼" x 2¼" and 1 rectangle 2¼" x 3¾" for each flower. Once cut, make sure that the same fabrics stay grouped together when making the flying geese and flower center.

Piecing Instructions

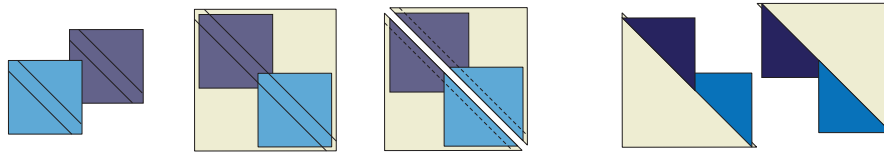
Flying Geese Construction

Note: For more information and left handed cutting and trimming directions, refer to the instructions that came with your **Wing Clipper® I** tool.

Step 1 - Mark the squares. Begin with one large Light square 4½" x 4½", one small Dark square 2½" x 2½", and three small Medium squares 2½" x 2½". Mark stitching lines on the wrong side of each small square. Use the **Quilter's Magic Wand™** and mark ¼" away from the center diagonal.

Step 2 - Position one Medium and one Dark square right sides together in opposite diagonal corners of the large square. Nudge the small squares in toward the center a few threads from the edge of the large square.

Step 3 - Stitch on the two marked lines, then cut between the stitching lines along the center diagonal of the squares. Press your seams toward the small triangles.

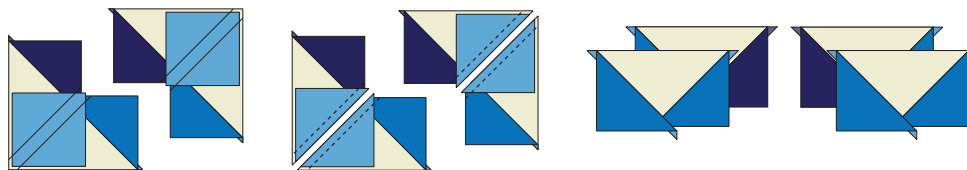


Steps 1 to 3 - Mark, Position, Stitch, Cut, and Press

Step 4 - Position the remaining two matching Medium squares on each corner of your pieced units. Nudge these squares a few threads in from the edge of the large triangle.

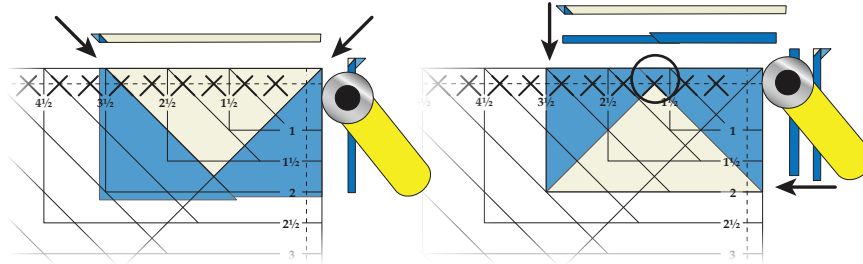
Step 5 - Stitch along the two marked lines.

Step 6 - Cut between the stitched lines along the center diagonal of the small squares and press toward the small triangle.



Steps 4 to 6 - Position, Stitch, Cut, and Press

Step 7 - Trim the Flying Geese. Position your **Wing Clipper® I** over your unit, aligning the diagonal guidelines of the tool with the seams of your unit, and trim each unit to measure 2" x 3½". Rotate the unit 180° and align the 2" x 3½" horizontal and vertical guide lines with the edges of the unit. Align the "X" on the **Wing Clipper® I** with the seam intersection of your unit and trim again.

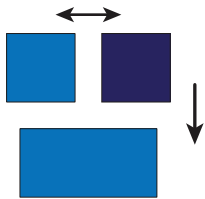


Step 7 - Trim, Rotate, and Trim Again

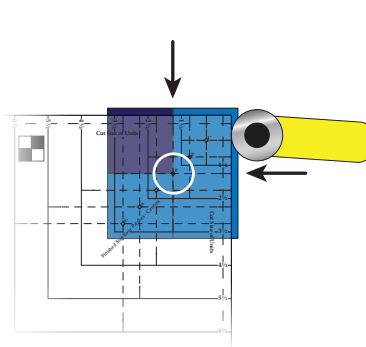
Flower Center Construction

Step 8 - Piece the flower centers. Stitch together a Medium and a Dark 2¼" x 2¼" square. Press the seam open. Do this for all 12 Medium and Dark squares. Following the layout diagram, position a 2¼" x 3¾" matching Medium rectangle to each section. Press toward the rectangle. Repeat to make 12 flower centers.

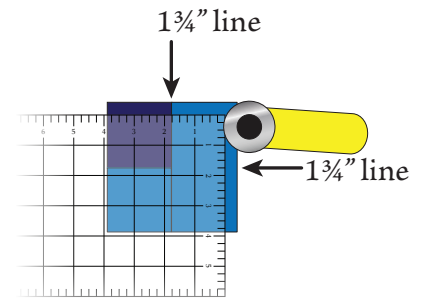
Step 9 - Trim the flower center to 3½" x 3½" using the **Four Patch Square Up®** tool or a regular ruler. If using the **Four Patch Square Up®** tool, position the bullseye for a 3" finished unit in the center and align the dashed vertical and horizontal lines with the seams. If using a regular ruler, position the 1¾" line on both sides of the ruler on the seams. Make sure the intersection of the two 1¾" lines is in the center of the unit.



Step 8 - Stitch



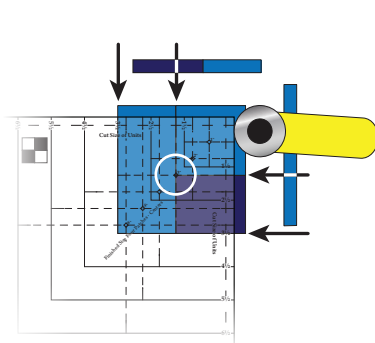
Four Patch Square Up®



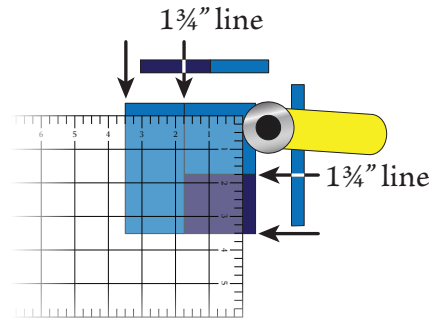
Regular Ruler

Step 9 - Trim

Step 10 - Trim the two sides. Rotate and realign the same lines. Also, make sure that the 3½" clean up lines or ruler lines are on the edge that you just trimmed.



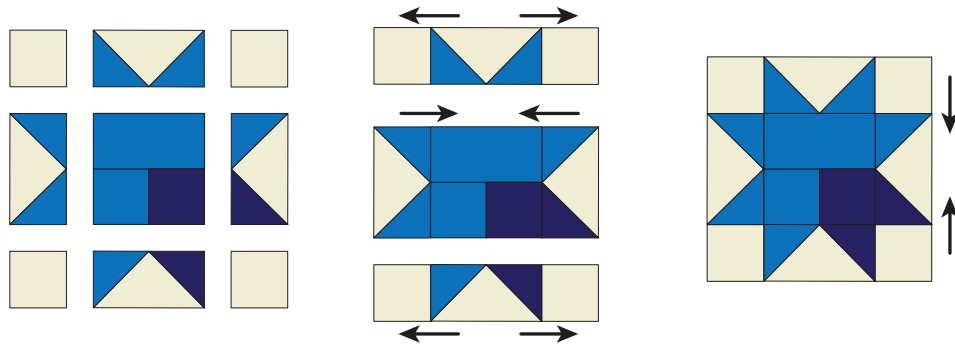
Four Patch Square Up®



Regular Ruler

Step 10 - Trim

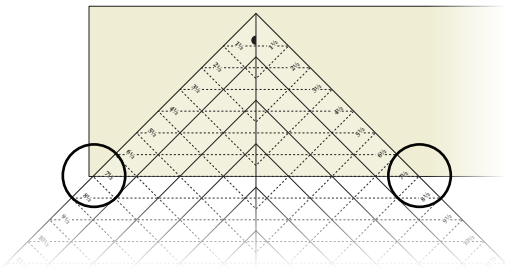
Step 11 - Assemble the flowers. Use one set of Flying Geese units, one matching flower center, and four 2" Light squares. Lay out the pieces as shown and stitch. Carefully press as indicated by the arrows. Repeat until you have 12 flower units.



Step 11 - Stitch and Press

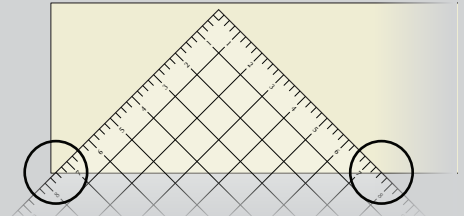
Cutting Triangles

Step 12 - Lay out the 5¼" Light strip right side up and open on your cutting mat. Position the 7½" line of the Tucker Trimmer® III on the edge of the fabric and cut up one side and down the other. Rotate the Tucker Trimmer® III and place the 7½" line along the top of the strip and the edge of the tool along the edge just cut and cut again. Continue rotating and cutting until you have 4 triangles from the strip. Repeat for the multi fabric, cutting 6 triangles from the strip.



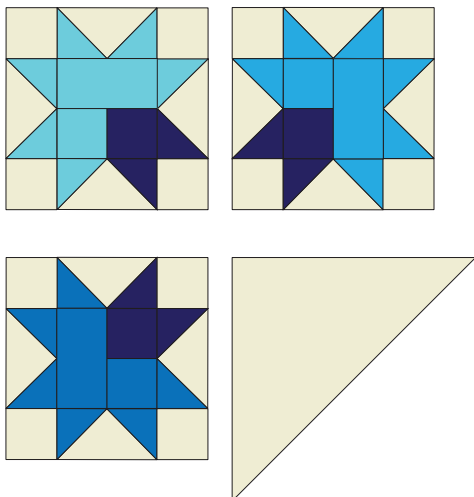
Step 12 - Position and Cut

Note: If you do not have a Tucker Trimmer® III, you can use an 8" or larger regular square ruler. Just place the two marks for 7½" on the bottom edge of the strip as shown.

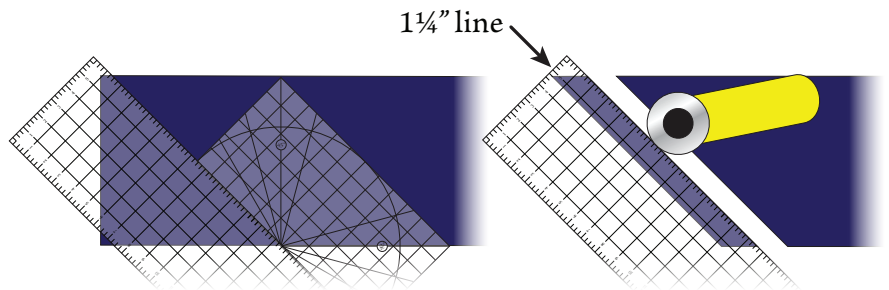


Step 13 - Assemble the blocks. Lay out the pieces as shown in the diagram. Stitch the block together using ¼" seams. Note that your blocks will not be square, and there will be extra fabric hanging over as the triangles are oversized, do not worry about that at this time.

Step 14 - Make the bias stems. Use the 1¼" x 12" bias strips to make the flower stems. I like to use the metal Bias Bars by Celtic Designs, but there are others available. You can also simply fold the strips into thirds and press well. The bias stems should measure approximately ¼" wide when pressed. 12 stems are required.



Step 13 - Stitch

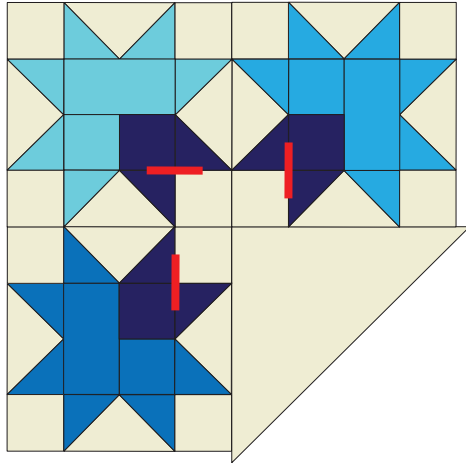


Step 14 - Cut Bias Strips

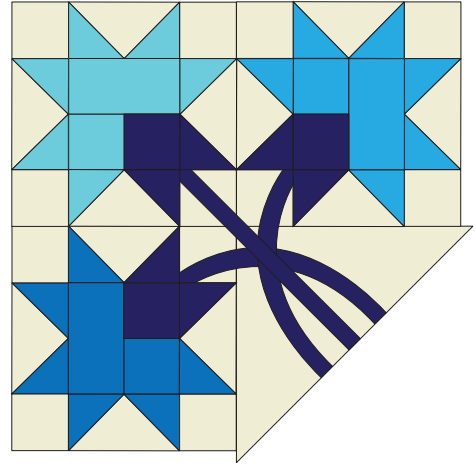
Step 15 - Carefully remove a few stitches from the flower seam lines indicated by the heavy lines in the diagram and insert a stem into the base of each flower. Machine stitch the seam closed, locking the stems into position.

Step 16 - Pin or lightly glue the stems into position as shown.

Step 17 - Appliqué the stems. Permanently anchor the stems using either a hand or machine appliqué stitch. Repeat steps 13 - 17 to create a total of 4 blocks.

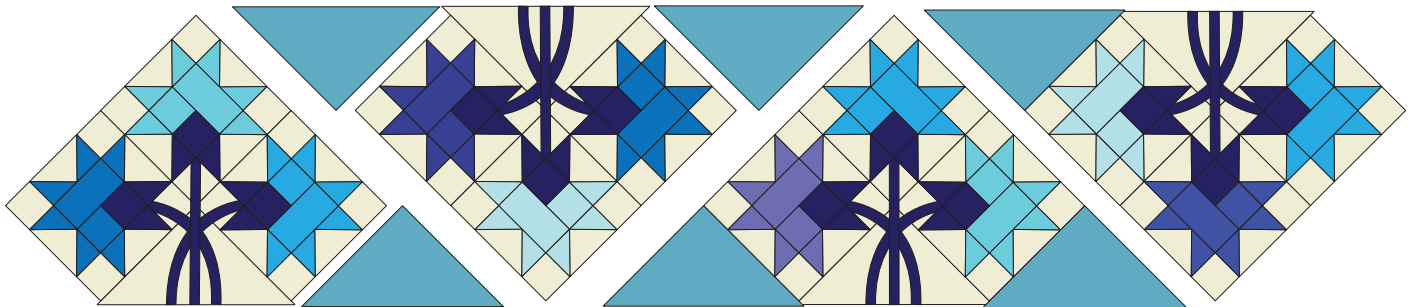


Step 15 - Remove Stitches



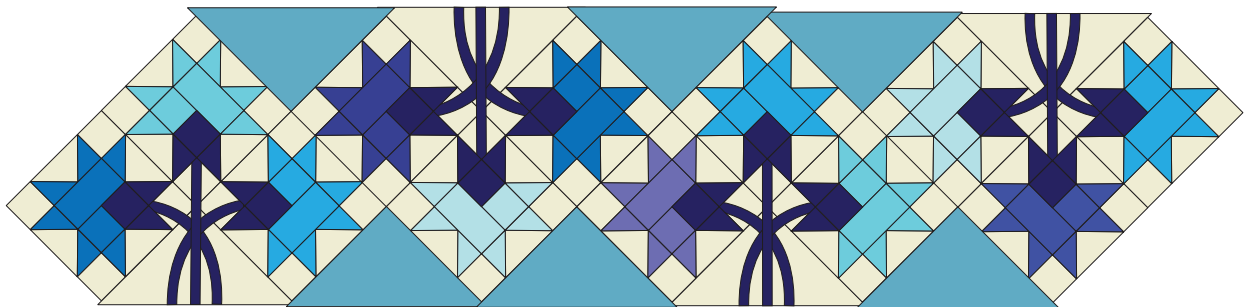
Steps 16 & 17 - Pin and Appliqué

Step 18 - Lay out the blocks and setting triangles as shown. Stitch the oversized setting triangles to the blocks. Stitch them to the block they are shown next to in the diagram using a $\frac{1}{4}$ " seam.



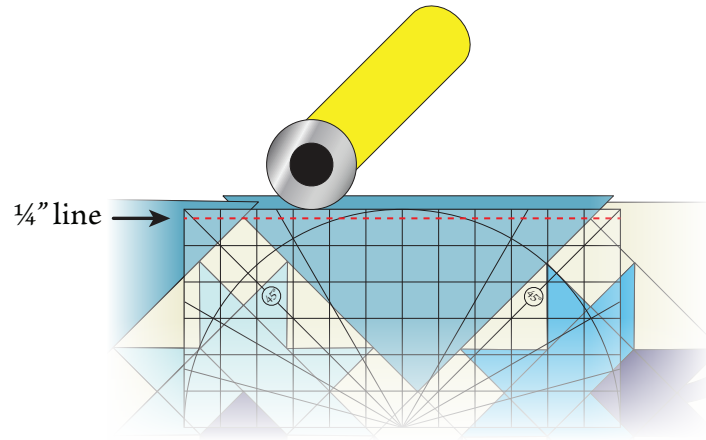
Step 18 - Lay out and Stitch

Step 19 - Sew the 4 sections together matching the intersections as you go.



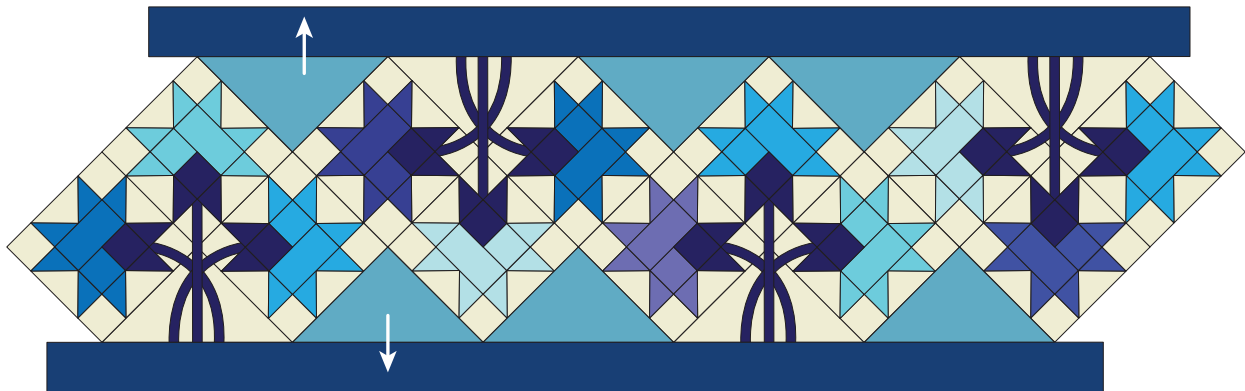
Step 19 - Stitch

Step 20 - Trim the long edges of the table runner so that the edge is $\frac{1}{4}$ " away from the seam intersections.



Step 20 - Trim

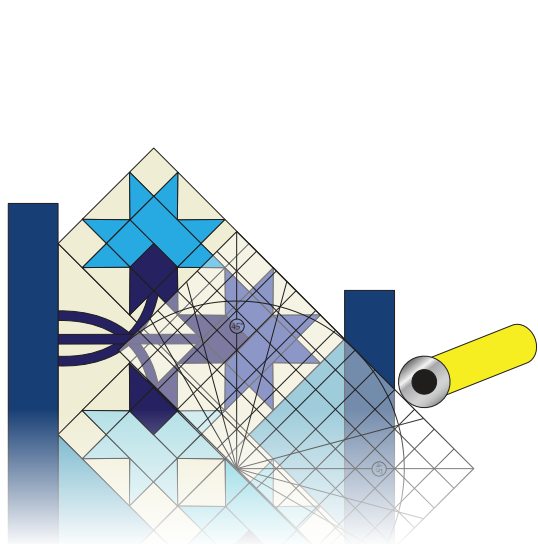
Step 21 - Attach the side borders to the project. Cut one strip in half on the fold and stitch it to a width of fabric strip. Make two. Sew the strips to the long sides of the table runner and press toward the border.



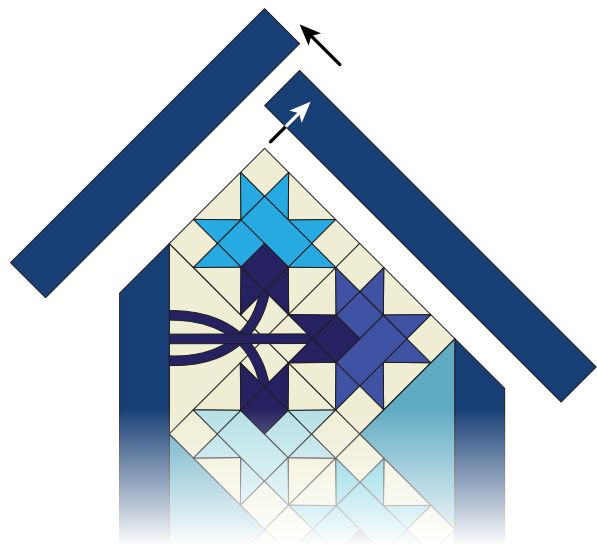
Step 21 - Stitch and Press

Step 22 - Trim the ends of the strips so that they are angled as shown, so that it is easy to add your next strips.

Step 23 - Cut the remaining border strips in half on the fold. Stitch a strip to the longer side of the pointed end of the runner, press toward the border strip. Trim the strip even with the 90° corner and then stitch a strip to the other side.



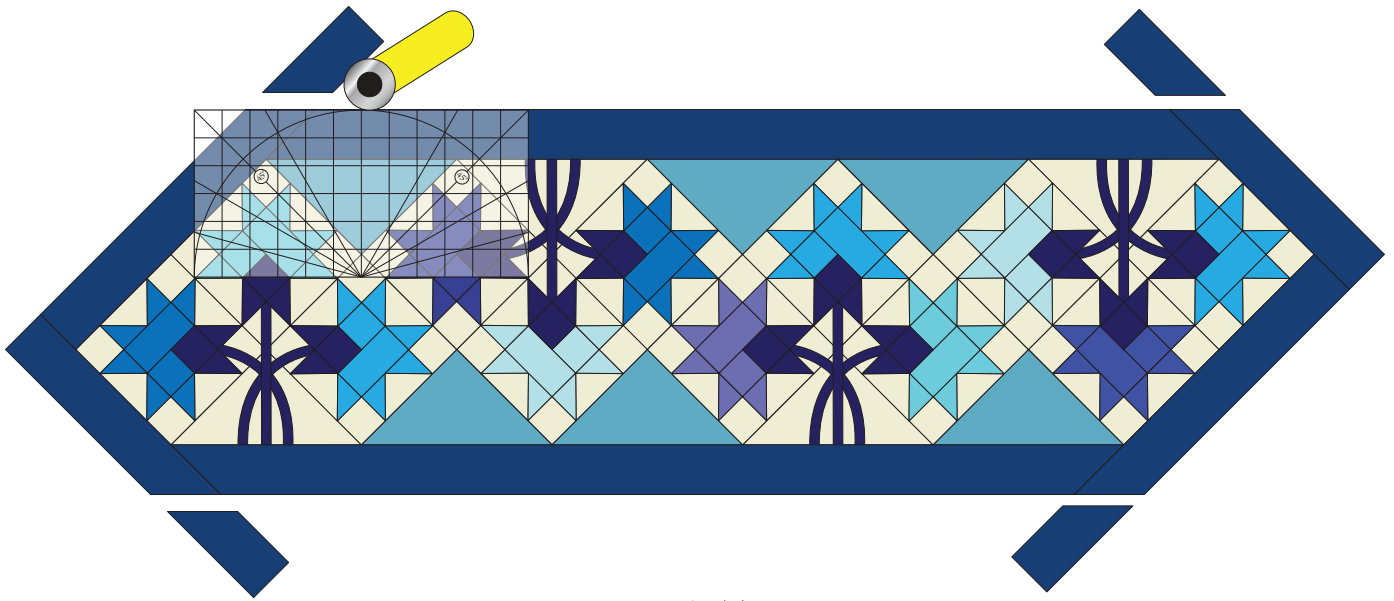
Step 22 - Trim



Step 23 - Stitch, Press, Stitch, and Press Again

Step 24 - Trim the strips even with the edges of the border as shown.

Step 25 - Finish with batting, backing, quilting, and binding! Layer quilt top with batting and backing. Baste and quilt. Bind and Enjoy!



Step 24 - Trim

We hope you have enjoyed making your own version of *Charleston Lily*, and we hope you consider sharing a photo of your project either on Instagram ([#CharlestonLilyPattern180](https://www.instagram.com/CharlestonLilyPattern180)) or on our Gallery page! To see other tools and patterns designed by the Studio 180 Design team, please visit our website:

Studio180Design.net

© 2021 Deb Tucker & Studio 180 Design, Ltd.

All rights reserved. No part of this pattern may be photocopied or reproduced in any form without prior written consent from Studio 180 Design, Ltd.

Studio180Design.net