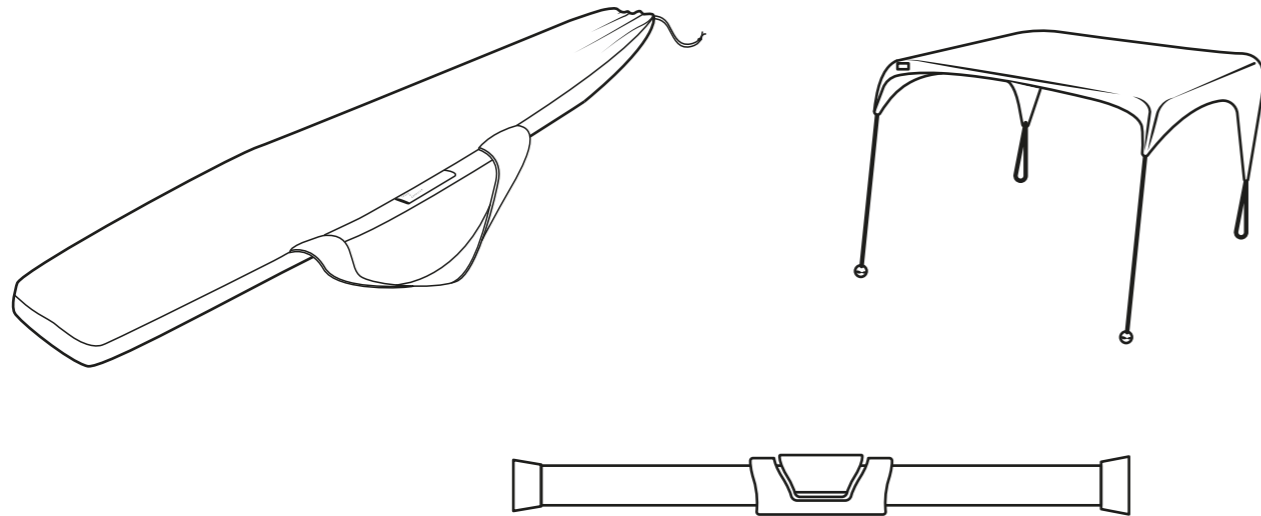


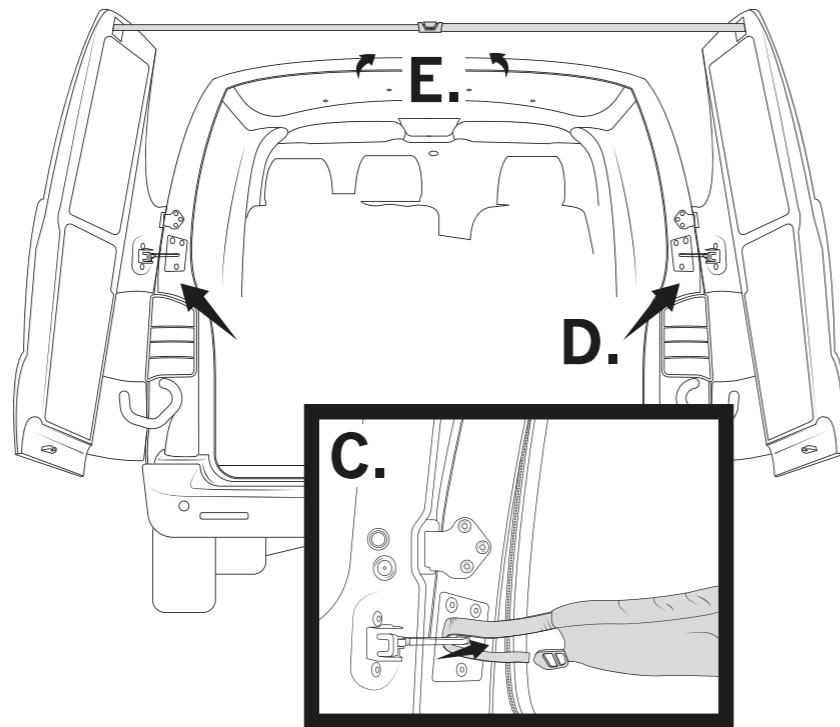
CAMPER VAN BARN DOOR AWNING

CONTENTS.



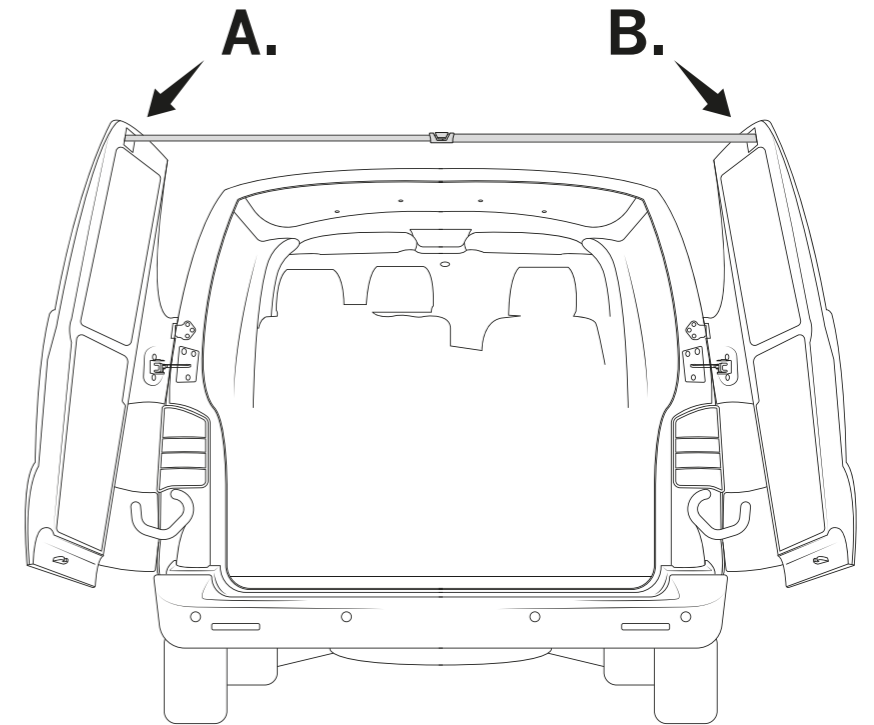
2.

Fasten rear webbing belt 1 around left hand door mechanism, securing through friction loop as per diagram (C). Repeat on right hand door mechanism with belt 2 (D), ensuring rear side of the awning is over van entrance preventing rain/wind (E).



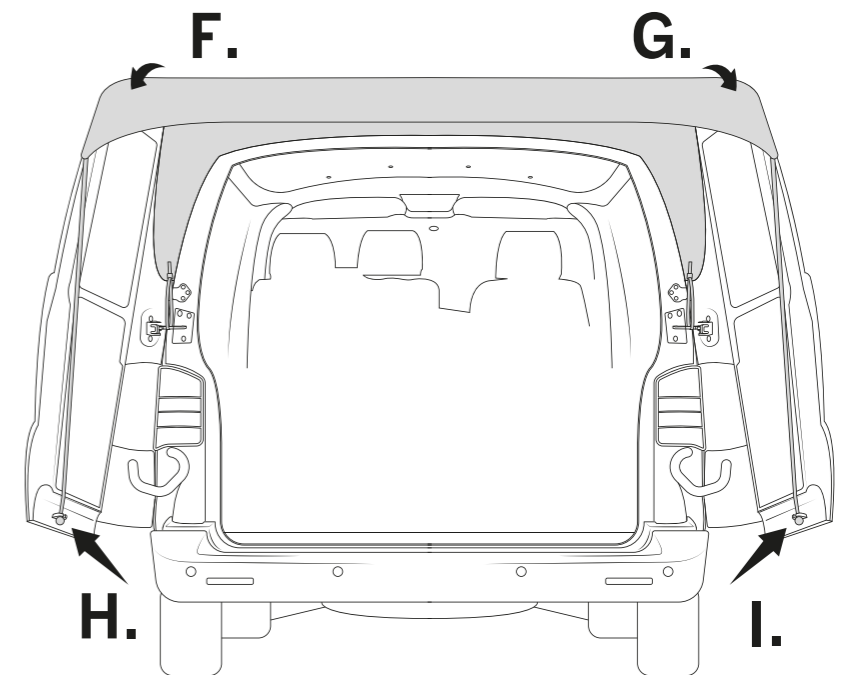
1.

Secure telescopic pole into the upper section of both doors to prevent closure (A + B).

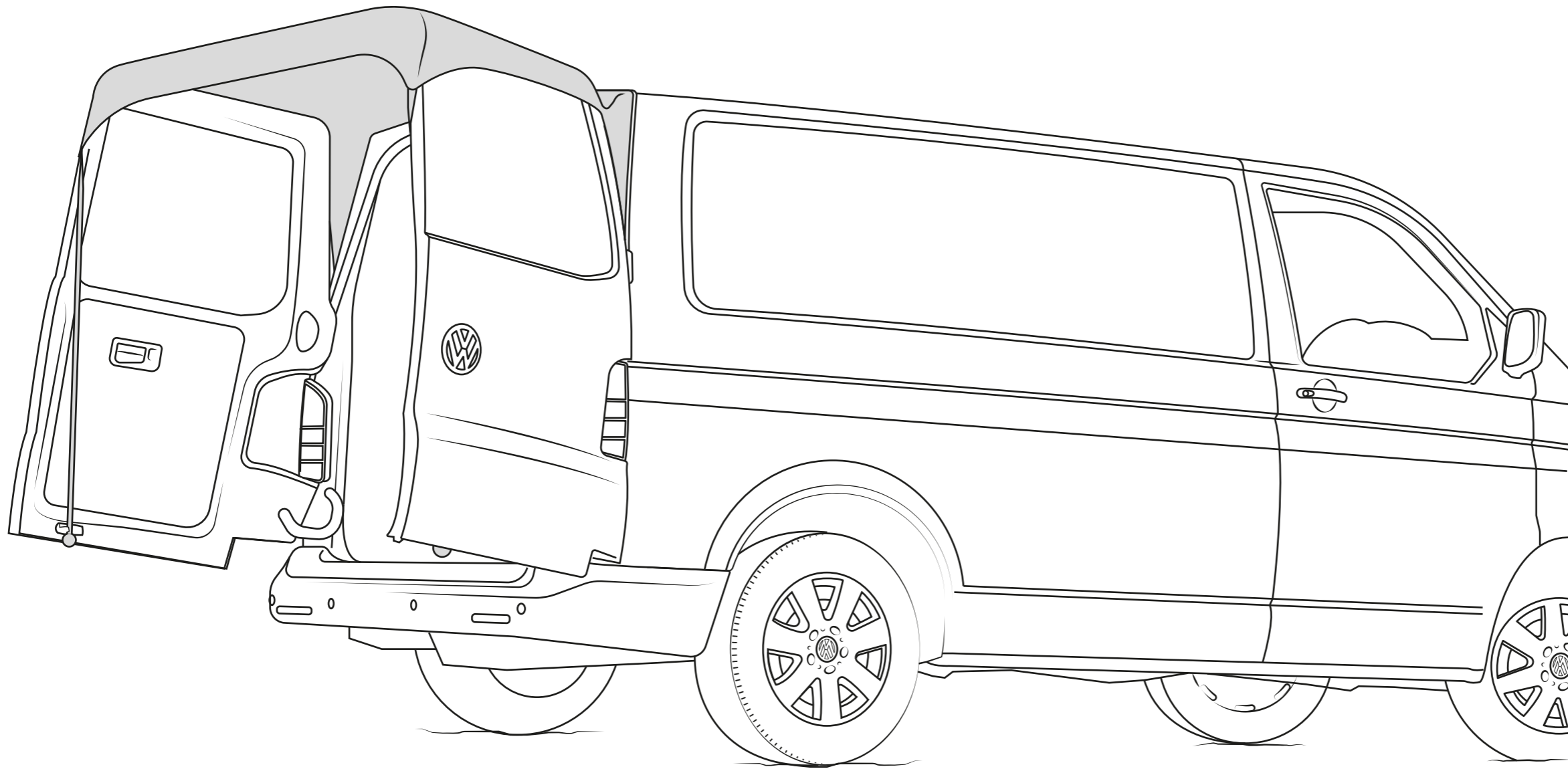


3.

Pull front of awning over each door, ensuring it passes over the telescopic pole (F + G). Secure in place via front webbing straps, checking rubber stoppers are well positioned in each doors lower locking mechanisms (H + I).



CAMPER VAN BARN DOOR AWNING



Kit Contains:

- 1x Carry Case
- 1x Telescopic pole
- 1x Awning

Tools required:

None