

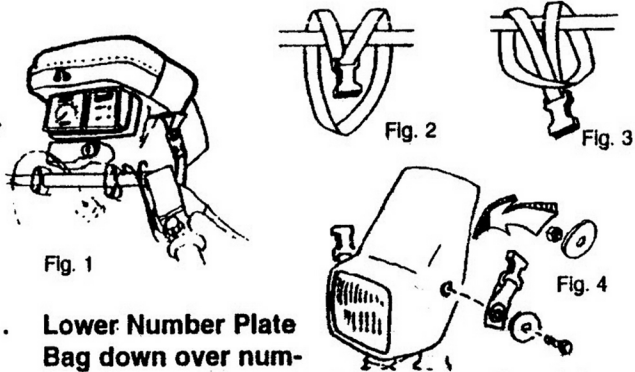
**CHASE  
HARPER  
USA**



part no. 9400

## NUMBER PLATE BAG

### Mounting and Use Instructions



1. Lower Number Plate Bag down over number plate, making sure to catch number plate top in pocket on back of bag (see Fig. 1.)
2. Stretch the elastic band over your odometer or speedometer. Take care that the band does not snag on the reset knob, etc. (see Fig. 1.)
3. Separate the quick-release buckles from lower side straps.
4. Attach female buckles and webbing loop to fork tube, as shown in Fig. 2 and Fig. 3., or drill through headlight cowl (Fig. 4) and mount with nut, bolt and two large diameter washers (not included.)
5. Connect male buckles on bag straps to female buckles on fork tubes and snug bag back towards forks - not too hard, just snug!
6. This bag will hold approximately four lbs. of gear, but can become damaged if overloaded. It is intended primarily for a jacket, sweater, or other lightweight but bulky gear.

**Cleaning:** Open all zippers, remove all inserts and hardware, set machine on light or regular cycle, use cold or warm water and a mild detergent. Hang dry. Do not dry clean or put in dryer. Touch-up cleaning may be done with spray cleaners or detergent and water.

CHASE HARPER USA  
3007 Bunsen Ave Unit F, Ventura, CA 93003 · (805) 477-9993

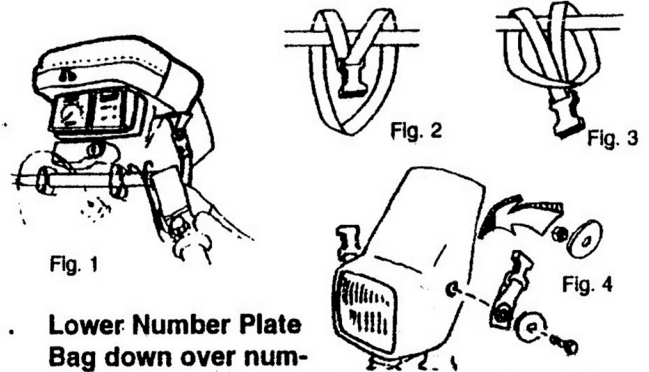
**CHASE  
HARPER  
USA**



part no. 9400

## NUMBER PLATE BAG

### Mounting and Use Instructions



1. Lower Number Plate Bag down over number plate, making sure to catch number plate top in pocket on back of bag (see Fig. 1.)
2. Stretch the elastic band over your odometer or speedometer. Take care that the band does not snag on the reset knob, etc. (see Fig. 1.)
3. Separate the quick-release buckles from lower side straps.
4. Attach female buckles and webbing loop to fork tube, as shown in Fig. 2 and Fig. 3., or drill through headlight cowl (Fig. 4) and mount with nut, bolt and two large diameter washers (not included.)
5. Connect male buckles on bag straps to female buckles on fork tubes and snug bag back towards forks - not too hard, just snug!
6. This bag will hold approximately four lbs. of gear, but can become damaged if overloaded. It is intended primarily for a jacket, sweater, or other lightweight but bulky gear.

**Cleaning:** Open all zippers, remove all inserts and hardware, set machine on light or regular cycle, use cold or warm water and a mild detergent. Hang dry. Do not dry clean or put in dryer. Touch-up cleaning may be done with spray cleaners or detergent and water.

CHASE HARPER USA  
3007 Bunsen Ave Unit F, Ventura, CA 93003 · (805) 477-9993