

#540M CR2 TANK BAG, #5400 CR2 TAIL TRUNK ACCESSORY MOUNTING INSTRUCTIONS

Map Pouch and Optional #2254 Tank Bag Pouch, #2258 Tank Frame Mount Pouch
MADE IN USA

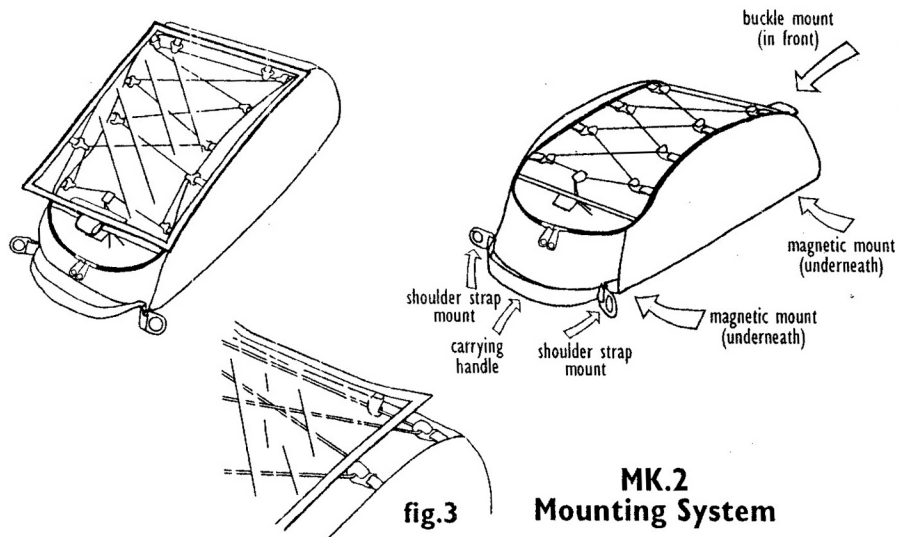


fig.3

MK.2 Mounting System

#540M CR2 Tank Bag

MK.1 (Velcro) Mounting System

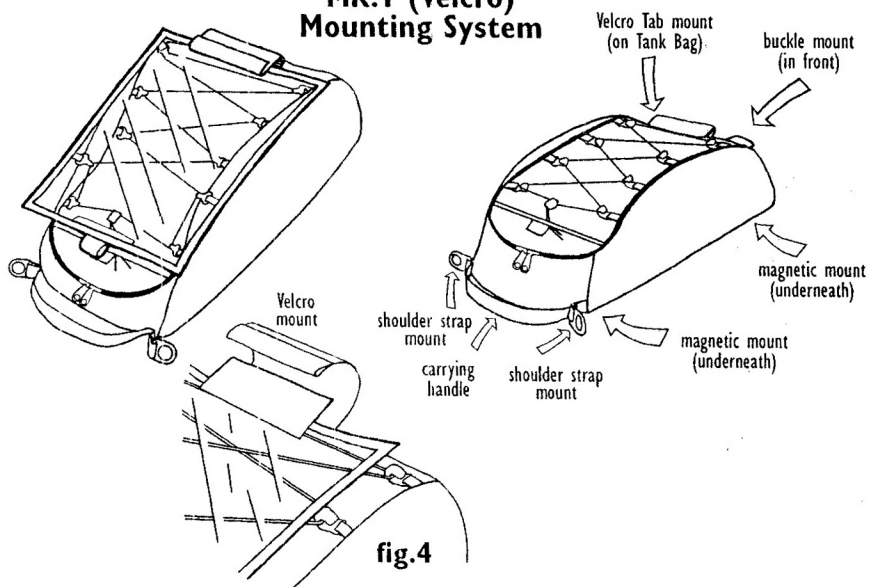


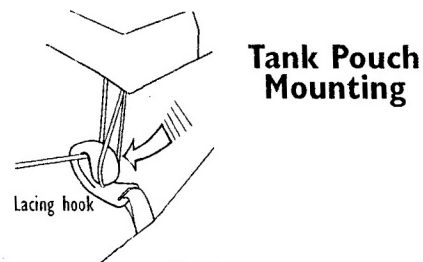
fig.4

CLEANING:

Open all zippers, remove all inserts and hardware. Hand wash using cold or warm water and a mild detergent. Hang dry.



3007 Bunsen Ave Unit F, Ventura, CA 93003 · (805) 477-9993 FAX (805) 477-9987
www.chaseharperusa.com



Tank Pouch Mounting

fig.1

With long end facing front of motorcycle, place **CR2 Tankbag** (see figs. 3 & 4 on other side) on top of motorcycle tank,

OR

CR2 Tail Trunk (see fig. 2) on seat and attach adjustable bungees to appropriate points on your particular motorcycle.

Optional Tank Pouches:

Pull a lower corner loop down of optional #2254 Tank Bag Pouch or #2258 Tank Frame Pouch and attach it to the appropriate Lacing Hook (see fig. 1).

Attach remaining 3 loops. To remove the Pouch, reverse the attaching order.

Map Pouch:

With the lacing hooks facing **DOWNWARDS**, attach the top lacing hook on bottom of Map Pouch to the top center of the CR2 Lacing, then attach the 2 lower Map Pouch lacing hooks at the appropriate Lacing System areas (see fig. 3 on other side of this page).

In the event you have a Mk. 1 Velcro top mounting, see fig. 4.

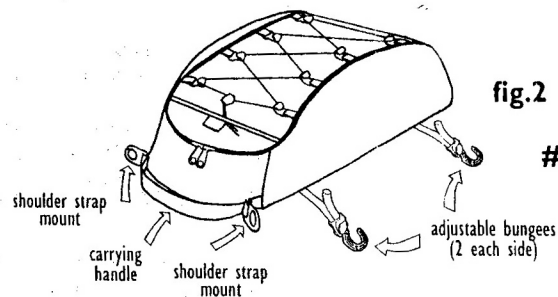


fig.2

#5400 CR2 Tail Trunk

DO NOT LOAD BAG AND/OR POUCH IN EXCESS OF 5 LBS.
Go for a ride and have as much fun as possible.

More on Other Side