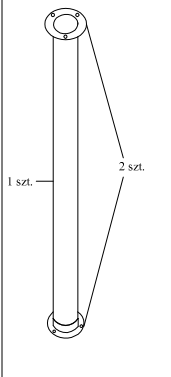
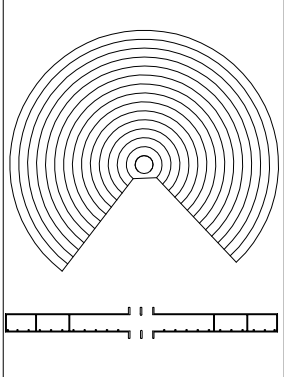
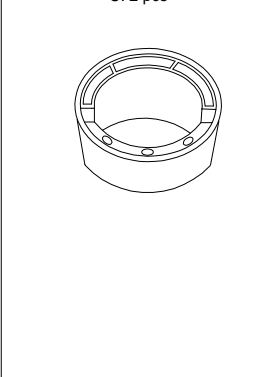
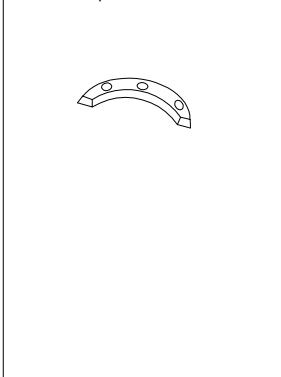
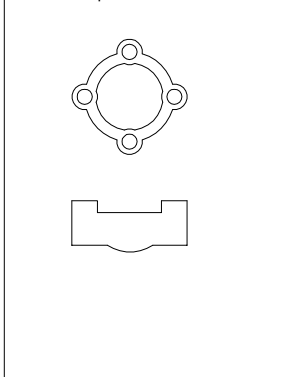
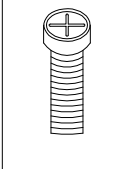
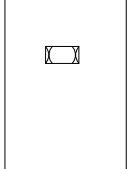
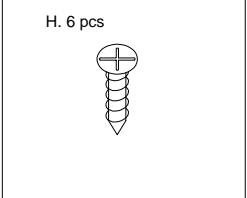
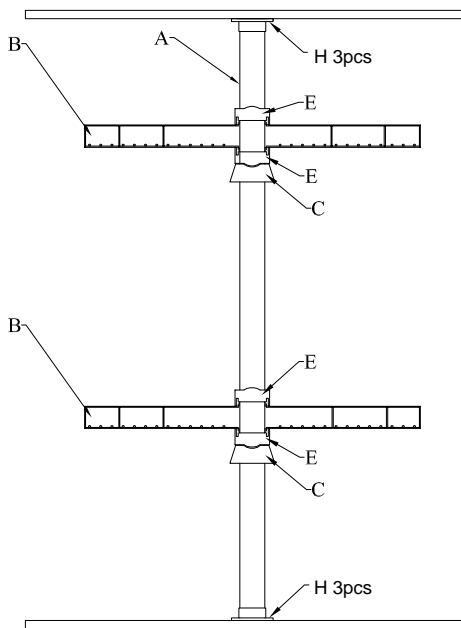


1. Product accessories

<p>A. 1 set</p> 	<p>B. 2 pcs</p> 	<p>C. 2 pcs</p> 	<p>D. 2 pcs</p> 	<p>E. 4 pcs</p> 	<p>F. 6 pcs</p>  <p>G. 6 pcs</p> 
<p>H. 6 pcs</p> 					

Installation



Element C+D

