

# 20 Series Tube Fittings

20,000 psi (1379 bar)



# Contents

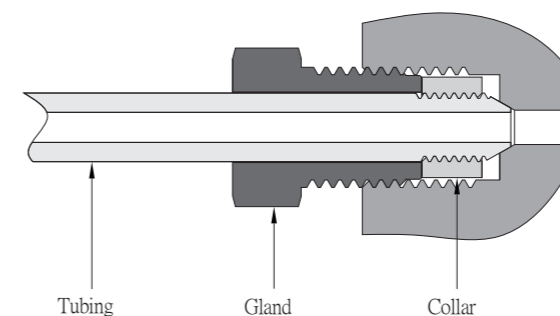
Glands - G	3
Collars - CO	3
Plugs - TP	3
Male Connectors - MC	4
Female Connectors - FC	5
Union Couplings - U	6
Reducing Union Couplings - U	6
Union Couplings (Slip Type) - SU	7
Bulkhead Couplings - BU	7
Caps - TC	7
Elbows - LU	8
Tees - TTT	8

Crosses - C	9
Anti-Vibration Gland Assemblies - AVGA	10
Coned and Threaded Nipples - CTN	10
20 Series Tubing	11

## Features

- ☆ Coned-and-Threaded Connection.
- ☆ Metal-to-metal seal provides perfect leak-tight service from critical vacuum to high pressure.
- ☆ Anti-vibration connection components available.
- ☆ Fittings are easy to disconnect and retighten.
- ☆ Material is high tensile 316 stainless steel.
- ☆ Every fitting is stamped with size, material, and heat code.

## Composition



## Working Pressure

Working pressure are dependent on the end connection with the lowest working pressures. Working pressure for the end connections used in this catalog are identified below.

## 20 Series Tube Ends

Tube O.D. in.	Working Pressure, psig (bar)				
	-423 to 100°F (-252 to 37.8°C)	200°F (93°C)	400°F (204°C)	600°F (316°C)	800°F (427°C)
1/4	20000 (1379)	20000 (1379)	19250 (1327)	18050 (1244)	16800 (1158)
3/8	20000 (1379)	20000 (1379)	19250 (1327)	18050 (1244)	16800 (1158)
9/16	20000 (1379)	20000 (1379)	19250 (1327)	18050 (1244)	16800 (1158)
3/4	20000 (1379)	20000 (1379)	19250 (1327)	18050 (1244)	16800 (1158)
1	20000 (1379)	20000 (1379)	19250 (1327)	18050 (1244)	16800 (1158)

Date in this table is applied only to the working temperature below 800°F (427°C), For the working temperature above 800°F (427°C) please consult FINELOK, and then we will provide you relative solutions.

### NPT Pipe Thread Ends <sup>①</sup>

NPT Size	Working Pressure, psig (bar)
1/16	15000 (1034)
1/8	
1/4	
3/8	
1/2	
3/4	10000 (689)
1	

① No allowance is made for corrosion or erosion.

### Working Temperature

Connection	Temperature Rating
20 Series Tube Ends	-423°F(-252°C) to 1200°F(649°C)
NPT Pipe Thread Ends	-325°F(-198°C) to 400°F(204°C)

### Installation Instructions

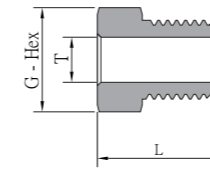
☆ Refer to the Tools & Installation Instructions.

### Cautions:

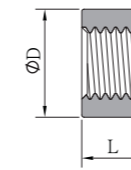
☆ Do not loosen or tighten fittings when system is pressurized.

## Dimensions

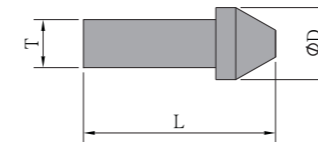
### Glands



### Collars



### Plugs



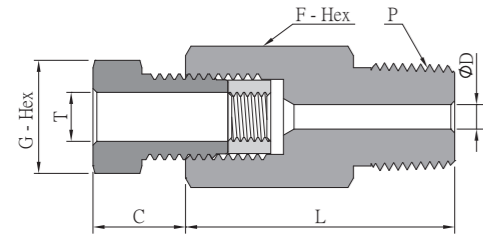
Tube			
T - Tube O.D. in.	Ordering Number	Dimensions, in. (mm)	
		G	L
1/4	SS-G-20S4	0.50 (12.7)	0.58 (14.7)
3/8	SS-G-20S6	0.63 (15.9)	0.73 (18.5)
9/16	SS-G-20S9	0.94 (23.8)	0.88 (22.4)
3/4	SS-G-20S12	1.19 (30.2)	1.00 (25.4)
1	SS-G-20S16	1.38 (34.9)	1.38 (35.1)

Tube			
T - Tube O.D. in.	Ordering Number	Dimensions, in. (mm)	
		D	L
1/4	SS-CO-20S4	0.38 (9.7)	0.22 (5.6)
3/8	SS-CO-20S6	0.47 (11.9)	0.25 (6.4)
9/16	SS-CO-20S9	0.72 (18.3)	0.31 (7.9)
3/4	SS-CO-20S12	0.94 (23.8)	0.37 (9.4)
1	SS-CO-20S16	1.25 (31.8)	0.50 (12.7)

Tube			
T - Tube O.D. in.	Ordering Number	Dimensions, in. (mm)	
		D	L
1/4	SS-TP-20S4	0.38 (9.7)	0.94 (23.8)
3/8	SS-TP-20S6	0.47 (11.9)	1.18 (30.0)
9/16	SS-TP-20S9	0.72 (18.3)	1.40 (35.6)
3/4	SS-TP-20S12	0.94 (23.8)	1.69 (42.9)
1	SS-TP-20S16	1.25 (31.8)	2.20 (55.9)

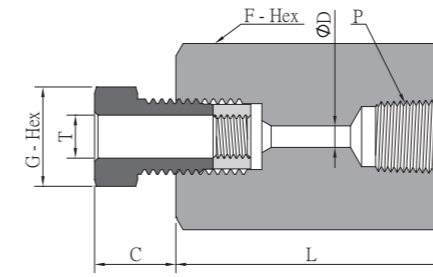
Dimensions are for reference only, subject to change.

Male Connectors



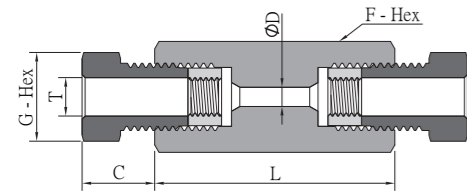
Tube			NPT Thread				
T - Tube O.D. in.	P - NPT Size in.	Ordering Number	Dimensions, in. (mm)				
			L	C	D	G	F
1/4	1/8	SS-MC-20S4-NT2	1.19 (30.2)	0.38 (9.7)	0.11 (2.8)	0.50 (12.7)	0.63 (15.9)
1/4	1/4	SS-MC-20S4-NT4	1.38 (34.9)	0.38 (9.7)	0.11 (2.8)	0.50 (12.7)	0.63 (15.9)
1/4	3/8	SS-MC-20S4-NT6	1.38 (34.9)	0.38 (9.7)	0.11 (2.8)	0.50 (12.7)	0.69 (17.5)
1/4	1/2	SS-MC-20S4-NT8	1.38 (34.9)	0.38 (9.7)	0.11 (2.8)	0.50 (12.7)	0.88 (22.2)
1/4	3/4	SS-MC-20S4-NT12	1.75 (44.5)	0.38 (9.7)	0.11 (2.8)	0.50 (12.7)	1.06 (27.0)
3/8	1/8	SS-MC-20S6-NT2	1.38 (34.9)	0.44 (11.2)	0.19 (4.8)	0.63 (15.9)	0.75 (19.1)
3/8	1/4	SS-MC-20S6-NT4	1.50 (38.1)	0.44 (11.2)	0.20 (5.1)	0.63 (15.9)	0.75 (19.1)
3/8	3/8	SS-MC-20S6-NT6	1.50 (38.1)	0.44 (11.2)	0.20 (5.1)	0.63 (15.9)	0.75 (19.1)
3/8	1/2	SS-MC-20S6-NT8	1.63 (41.3)	0.44 (11.2)	0.20 (5.1)	0.63 (15.9)	0.88 (22.2)
3/8	3/4	SS-MC-20S6-NT12	1.75 (44.5)	0.44 (11.2)	0.20 (5.1)	0.63 (15.9)	1.06 (27.0)
3/8	1	SS-MC-20S6-NT16	2.00 (50.8)	0.44 (11.2)	0.20 (5.1)	0.63 (15.9)	1.38 (34.9)
9/16	1/8	SS-MC-20S9-NT2	1.75 (44.5)	0.53 (13.5)	0.19 (4.8)	0.94 (23.8)	1.00 (25.4)
9/16	1/4	SS-MC-20S9-NT4	1.75 (44.5)	0.53 (13.5)	0.25 (6.4)	0.94 (23.8)	1.00 (25.4)
9/16	3/8	SS-MC-20S9-NT6	1.75 (44.5)	0.53 (13.5)	0.31 (7.9)	0.94 (23.8)	1.00 (25.4)
9/16	1/2	SS-MC-20S9-NT8	1.94 (49.2)	0.53 (13.5)	0.31 (7.9)	0.94 (23.8)	1.00 (25.4)
9/16	3/4	SS-MC-20S9-NT12	2.00 (50.8)	0.53 (13.5)	0.31 (7.9)	0.94 (23.8)	1.06 (27.0)
9/16	1	SS-MC-20S9-NT16	2.25 (57.2)	0.53 (13.5)	0.31 (7.9)	0.94 (23.8)	1.38 (34.9)
3/4	1/4	SS-MC-20S12-NT4	2.00 (50.8)	0.62 (15.7)	0.25 (6.4)	1.19 (30.2)	1.38 (34.9)
3/4	3/8	SS-MC-20S12-NT6	2.00 (50.8)	0.62 (15.7)	0.31 (7.9)	1.19 (30.2)	1.38 (34.9)
3/4	1/2	SS-MC-20S12-NT8	2.18 (55.6)	0.62 (15.7)	0.38 (9.6)	1.19 (30.2)	1.38 (34.9)
3/4	3/4	SS-MC-20S12-NT12	2.25 (57.2)	0.62 (15.7)	0.44 (11.1)	1.19 (30.2)	1.38 (34.9)
3/4	1	SS-MC-20S12-NT16	2.63 (66.7)	0.62 (15.7)	0.44 (11.1)	1.19 (30.2)	1.38 (34.9)
1	1/4	SS-MC-20S16-NT4	2.88 (73.0)	0.72 (18.3)	0.25 (6.4)	1.38 (34.9)	1.75 (44.5)
1	3/8	SS-MC-20S16-NT6	2.88 (73.0)	0.72 (18.3)	0.31 (7.9)	1.38 (34.9)	1.75 (44.5)
1	1/2	SS-MC-20S16-NT8	2.88 (73.0)	0.72 (18.3)	0.38 (9.6)	1.38 (34.9)	1.75 (44.5)
1	3/4	SS-MC-20S16-NT12	2.88 (73.0)	0.72 (18.3)	0.56 (14.3)	1.38 (34.9)	1.75 (44.5)
1	1	SS-MC-20S16-NT16	3.06 (77.8)	0.72 (18.3)	0.56 (14.3)	1.38 (34.9)	1.75 (44.5)

Female Connectors



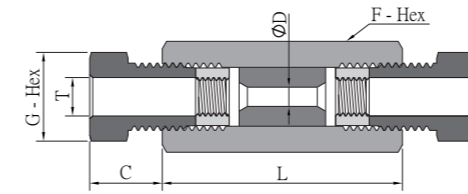
Tube			NPT Thread				
T - Tube O.D. in.	P - NPT Size in.	Ordering Number	Dimensions, in. (mm)				
			L	C	D	G	F
1/4	1/8	SS-FC-20S4-NT2	1.38 (34.9)	0.38 (9.7)	0.11 (2.8)	0.50 (12.7)	0.63 (15.9)
1/4	1/4	SS-FC-20S4-NT4	1.63 (41.3)	0.38 (9.7)	0.11 (2.8)	0.50 (12.7)	0.94 (23.8)
1/4	3/8	SS-FC-20S4-NT6	1.63 (41.3)	0.38 (9.7)	0.11 (2.8)	0.50 (12.7)	1.13 (28.6)
1/4	1/2	SS-FC-20S4-NT8	2.00 (50.8)	0.38 (9.7)	0.11 (2.8)	0.50 (12.7)	1.38 (34.9)
3/8	1/8	SS-FC-20S6-NT2	1.50 (38.1)	0.44 (11.2)	0.20 (5.1)	0.63 (15.9)	0.75 (19.1)
3/8	1/4	SS-FC-20S6-NT4	1.75 (44.5)	0.44 (11.2)	0.20 (5.1)	0.63 (15.9)	0.94 (23.8)
3/8	3/8	SS-FC-20S6-NT6	1.81 (46.0)	0.44 (11.2)	0.20 (5.1)	0.63 (15.9)	1.13 (28.6)
3/8	1/2	SS-FC-20S6-NT8	2.13 (54.0)	0.44 (11.2)	0.20 (5.1)	0.63 (15.9)	1.38 (34.9)
3/8	3/4	SS-FC-20S6-NT12	2.25 (57.2)	0.44 (11.2)	0.20 (5.1)	0.63 (15.9)	1.50 (38.1)
9/16	1/8	SS-FC-20S9-NT2	1.63 (41.3)	0.53 (13.5)	0.31 (7.9)	0.94 (23.8)	1.00 (25.4)
9/16	1/4	SS-FC-20S9-NT4	2.00 (50.8)	0.53 (13.5)	0.31 (7.9)	0.94 (23.8)	1.00 (25.4)
9/16	3/8	SS-FC-20S9-NT6	2.00 (50.8)	0.53 (13.5)	0.31 (7.9)	0.94 (23.8)	1.13 (28.6)
9/16	1/2	SS-FC-20S9-NT8	2.25 (57.2)	0.53 (13.5)	0.31 (7.9)	0.94 (23.8)	1.38 (34.9)
9/16	3/4	SS-FC-20S9-NT12	2.25 (57.2)	0.53 (13.5)	0.31 (7.9)	0.94 (23.8)	1.50 (38.1)
9/16	1	SS-FC-20S9-NT16	2.63 (66.7)	0.53 (13.5)	0.31 (7.9)	0.94 (23.8)	1.75 (44.5)
3/4	1/8	SS-FC-20S12-NT2	1.75 (44.5)	0.62 (15.7)	0.32 (8.1)	1.19 (30.2)	1.38 (34.9)
3/4	1/4	SS-FC-20S12-NT4	2.00 (50.8)	0.62 (15.7)	0.41 (10.4)	1.19 (30.2)	1.38 (34.9)
3/4	3/8	SS-FC-20S12-NT6	2.38 (60.3)	0.62 (15.7)	0.44 (11.1)	1.19 (30.2)	1.38 (34.9)
3/4	1/2	SS-FC-20S12-NT8	2.63 (66.7)	0.62 (15.7)	0.44 (11.1)	1.19 (30.2)	1.38 (34.9)
3/4	3/4	SS-FC-20S12-NT12	2.63 (66.7)	0.62 (15.7)	0.44 (11.1)	1.19 (30.2)	1.50 (38.1)
3/4	1	SS-FC-20S12-NT16	2.63 (66.7)	0.62 (15.7)	0.44 (11.1)	1.19 (30.2)	1.75 (44.5)
1	1/4	SS-FC-20S16-NT4	2.38 (60.3)	0.72 (18.3)	0.41 (10.4)	1.38 (34.9)	1.75 (44.5)
1	3/8	SS-FC-20S16-NT6	2.50 (63.5)	0.72 (18.3)	0.55 (13.9)	1.38 (34.9)	1.75 (44.5)
1	1/2	SS-FC-20S16-NT8	3.00 (76.2)	0.72 (18.3)	0.56 (14.3)	1.38 (34.9)	1.75 (44.5)
1	3/4	SS-FC-20S16-NT12	3.00 (76.2)	0.72 (18.3)	0.56 (14.3)	1.38 (34.9)	1.75 (44.5)
1	1	SS-FC-20S16-NT16	3.00 (76.2)	0.72 (18.3)	0.56 (14.3)	1.38 (34.9)	1.75 (44.5)

Union Couplings



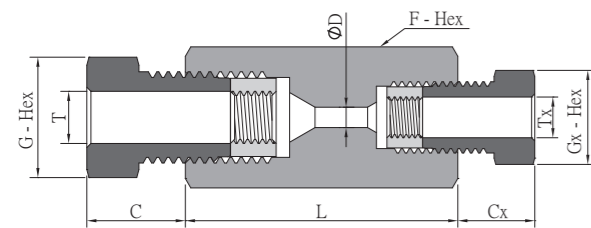
Tube		Dimensions, in. (mm)				
T - Tube O.D. in.	Ordering Number	L	C	D	G	F
1/4	SS-U-20S4	1.62 (41.1)	0.38 (9.7)	0.11 (2.8)	0.50 (12.7)	0.63 (15.9)
3/8	SS-U-20S6	1.75 (44.5)	0.44 (11.2)	0.20 (5.1)	0.63 (15.9)	0.75 (19.1)
9/16	SS-U-20S9	2.12 (53.9)	0.53 (13.5)	0.31 (7.9)	0.94 (23.8)	1.00 (25.4)
3/4	SS-U-20S12	2.50 (63.5)	0.62 (15.7)	0.44 (11.1)	1.19 (30.2)	1.38 (34.9)
1	SS-U-20S16	3.50 (88.9)	0.72 (18.3)	0.56 (14.3)	1.38 (34.9)	1.75 (44.5)

Union Couplings (Slip Type)



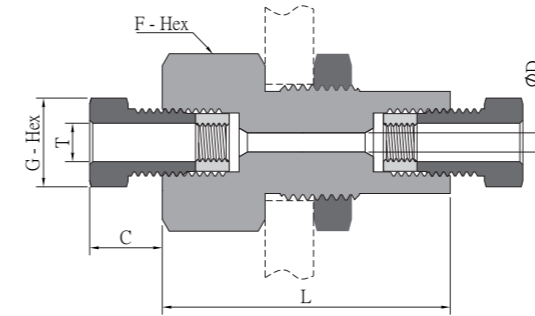
Tube		Dimensions, in. (mm)				
T - Tube O.D. in.	Ordering Number	L	C	D	G	F
1/4	SS-SU-20S4	1.62 (41.1)	0.38 (9.7)	0.11 (2.8)	0.50 (12.7)	0.63 (15.9)
3/8	SS-SU-20S6	1.75 (44.5)	0.44 (11.2)	0.20 (5.1)	0.63 (15.9)	0.75 (19.1)
9/16	SS-SU-20S9	2.12 (53.9)	0.53 (13.5)	0.31 (7.9)	0.94 (23.8)	1.00 (25.4)
3/4	SS-SU-20S12	2.50 (63.5)	0.62 (15.7)	0.44 (11.1)	1.19 (30.2)	1.38 (34.9)
1	SS-SU-20S16	3.50 (88.9)	0.72 (18.3)	0.56 (14.3)	1.38 (34.9)	1.75 (44.5)

Reducing Union Couplings



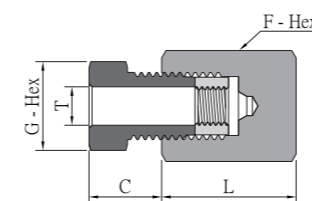
Tube			Dimensions, in. (mm)						
T - Tube O.D. in.	Tx - Tube O.D. in.	Ordering Number	L	C	Cx	D	G	Gx	F
3/8	1/4	SS-U-20S6-20S4	1.75 (44.5)	0.44 (11.2)	0.38 (9.7)	0.11 (2.8)	0.63 (15.9)	0.50 (12.7)	0.75 (19.1)
9/16	1/4	SS-U-20S9-20S4	2.00 (50.8)	0.53 (13.5)	0.38 (9.7)	0.11 (2.8)	0.94 (23.8)	0.50 (12.7)	1.00 (25.4)
9/16	3/8	SS-U-20S9-20S6	2.00 (50.8)	0.53 (13.5)	0.44 (11.2)	0.20 (5.1)	0.94 (23.8)	0.63 (15.9)	1.00 (25.4)
3/4	1/4	SS-U-20S12-20S4	2.25 (57.2)	0.62 (15.7)	0.38 (9.7)	0.11 (2.8)	1.19 (30.2)	0.50 (12.7)	1.38 (34.9)
3/4	3/8	SS-U-20S12-20S6	2.25 (57.2)	0.62 (15.7)	0.44 (11.2)	0.20 (5.1)	1.19 (30.2)	0.63 (15.9)	1.38 (34.9)
3/4	9/16	SS-U-20S12-20S9	2.50 (63.5)	0.62 (15.7)	0.53 (13.5)	0.31 (7.9)	1.19 (30.2)	0.94 (23.8)	1.38 (34.9)
1	1/4	SS-U-20S16-20S4	2.75 (69.9)	0.72 (18.3)	0.38 (9.7)	0.11 (2.8)	1.38 (34.9)	0.50 (12.7)	1.75 (44.5)
1	3/8	SS-U-20S16-20S6	2.88 (73.0)	0.72 (18.3)	0.44 (11.2)	0.20 (5.1)	1.38 (34.9)	0.63 (15.9)	1.75 (44.5)
1	9/16	SS-U-20S16-20S9	3.00 (76.2)	0.72 (18.3)	0.53 (13.5)	0.31 (7.9)	1.38 (34.9)	0.94 (23.8)	1.75 (44.5)
1	3/4	SS-U-20S16-20S12	3.00 (76.2)	0.72 (18.3)	0.62 (15.7)	0.44 (11.1)	1.38 (34.9)	1.19 (30.2)	1.75 (44.5)

Bulkhead Couplings



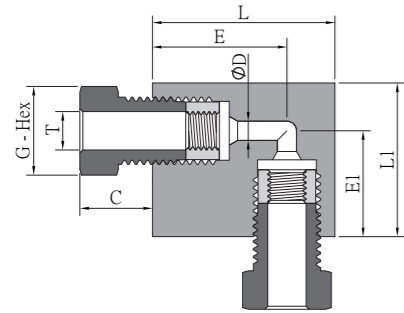
Tube		Dimensions, in. (mm)						
T - Tube O.D. in.	Ordering Number	L	C	D	G	F	Panel Hole Size	Max. Panel Thickness
1/4	SS-BU-20S4	1.88 (47.8)	0.38 (9.7)	0.11 (2.8)	0.50 (12.7)	1.00 (25.4)	0.81 (20.6)	0.38 (9.7)
3/8	SS-BU-20S6	2.00 (50.8)	0.44 (11.2)	0.20 (5.1)	0.63 (15.9)	1.06 (27.0)	0.94 (23.8)	0.38 (9.7)
9/16	SS-BU-20S9	2.38 (60.5)	0.53 (13.5)	0.31 (7.9)	0.94 (23.8)	1.38 (34.9)	1.13 (28.6)	0.38 (9.7)
3/4	SS-BU-20S12	2.62 (66.5)	0.62 (15.7)	0.44 (11.1)	1.19 (30.2)	1.88 (47.6)	1.69 (42.9)	0.38 (9.7)
1	SS-BU-20S16	3.50 (88.9)	0.72 (18.3)	0.56 (14.3)	1.38 (34.9)	2.13 (54.0)	1.94 (49.2)	0.38 (9.7)

Caps



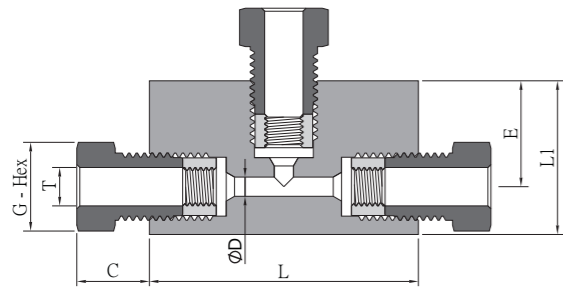
Tube		Dimensions, in. (mm)			
T - Tube O.D. in.	Ordering Number	L	C	G	F
1/4	SS-TC-20S4	0.81 (20.6)	0.38 (9.7)	0.50 (12.7)	0.63 (15.9)
3/8	SS-TC-20S6	1.13 (28.6)	0.44 (11.2)	0.63 (15.9)	0.75 (19.1)
9/16	SS-TC-20S9	1.38 (34.9)	0.53 (13.5)	0.94 (23.8)	1.00 (25.4)
3/4	SS-TC-20S12	1.75 (44.5)	0.62 (15.7)	1.19 (30.2)	1.38 (34.9)
1	SS-TC-20S16	2.25 (57.2)	0.72 (18.3)	1.38 (34.9)	1.75 (44.5)

Elbows



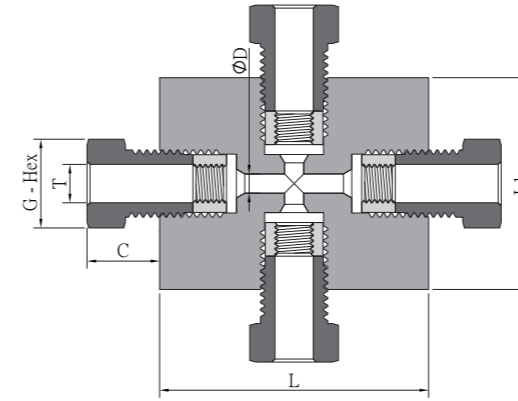
Tube		Dimensions, in. (mm)							
T - Tube O.D. in.	Ordering Number	C	D	G	L	E	L1	E1	Thickness
1/4	SS-LU-20S4	0.38 (9.7)	0.11 (2.8)	0.50 (12.7)	1.12 (28.4)	0.75 (19.1)	1.12 (28.4)	0.75 (19.1)	0.63 (15.9)
3/8	SS-LU-20S6	0.44 (11.2)	0.20 (5.1)	0.63 (15.9)	1.38 (34.9)	1.00 (25.4)	1.38 (34.9)	1.00 (25.4)	0.75 (19.1)
9/16	SS-LU-20S9	0.53 (13.5)	0.31 (7.9)	0.94 (23.8)	1.75 (44.5)	1.25 (31.8)	1.75 (44.5)	1.25 (31.8)	1.00 (25.4)
3/4	SS-LU-20S12	0.62 (15.7)	0.44 (11.1)	1.19 (30.2)	2.25 (57.2)	1.50 (38.1)	2.25 (57.2)	1.50 (38.1)	1.38 (34.9)
1	SS-LU-20S16	0.72 (18.3)	0.56 (14.3)	1.38 (34.9)	3.00 (76.2)	2.06 (52.3)	3.00 (76.2)	2.06 (52.3)	1.75 (44.5)

Tees



Tube		Dimensions, in. (mm)							
T - Tube O.D. in.	Ordering Number	C	D	G	L	L1	E	Thickness	
1/4	SS-TTT-20S4	0.38 (9.7)	0.11 (2.8)	0.50 (12.7)	1.50 (38.1)	1.12 (28.4)	0.75 (19.1)	0.63 (15.9)	
3/8	SS-TTT-20S6	0.44 (11.2)	0.20 (5.1)	0.63 (15.9)	2.00 (50.8)	1.38 (34.9)	1.00 (25.4)	0.75 (19.1)	
9/16	SS-TTT-20S9	0.53 (13.5)	0.31 (7.9)	0.94 (23.8)	2.50 (63.5)	1.75 (44.5)	1.25 (31.8)	1.00 (25.4)	
3/4	SS-TTT-20S12	0.62 (15.7)	0.44 (11.1)	1.19 (30.2)	3.00 (76.2)	2.25 (57.2)	1.50 (38.1)	1.38 (34.9)	
1	SS-TTT-20S16	0.72 (18.3)	0.56 (14.3)	1.38 (34.9)	4.12 (104.6)	3.00 (76.2)	2.06 (52.3)	1.75 (44.5)	

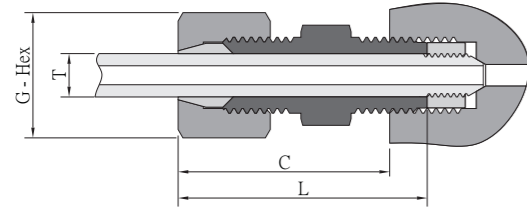
Crosses



Tube		Dimensions, in. (mm)						
T - Tube O.D. in.	Ordering Number	C	D	G	L	L1	Thickness	
1/4	SS-C-20S4	0.38 (9.7)	0.11 (2.8)	0.50 (12.7)	1.50 (38.1)	1.50 (38.1)	0.63 (15.9)	
3/8	SS-C-20S6	0.44 (11.2)	0.20 (5.1)	0.63 (15.9)	2.00 (50.8)	2.00 (50.8)	0.75 (19.1)	
9/16	SS-C-20S9	0.53 (13.5)	0.31 (7.9)	0.94 (23.8)	2.50 (63.5)	2.50 (63.5)	1.00 (25.4)	
3/4	SS-C-20S12	0.62 (15.7)	0.44 (11.1)	1.19 (30.2)	3.00 (76.2)	3.00 (76.2)	1.38 (34.9)	
1	SS-C-20S16	0.72 (18.3)	0.56 (14.3)	1.38 (34.9)	4.12 (104.6)	4.12 (104.6)	1.75 (44.5)	

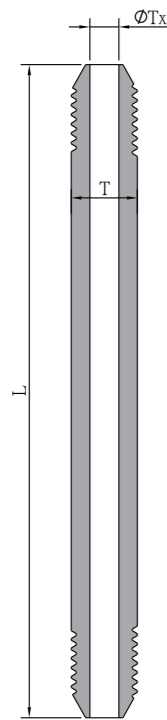
### Anti-Vibration Gland Assemblies

The extreme vibration or shock, such as mobile pressure systems or long tubing runs culminating at a compressor that the tubing systems are subjected to, will be prevented by using FINELOK Anti-Vibration Gland Assemblies. These assemblies use the same reliable connection geometries as the standard FINELOK fittings, with the added advantage of essentially unlimited vibrational fatigue life. A coned and threaded tube, when subjected to unusual or excessive vibration, may fail prematurely and break at the last thread. FINELOK Anti-Vibration Gland Assembly acts to move the fulcrum of vibration away from the threaded part of the tube and onto the strong, solid wall of the tubing. A wedge-like collet firmly holds the assembly in place, virtually eliminating premature tubing failure while reliably maintaining a leakage-free connection between the tube and the connection seat.



Tube		Dimensions, in. (mm)		
T - Tube O.D. in.	Ordering Number	L	C	G
1/4	SS-AVGA-20S4	1.19 (30.2)	0.94 (23.8)	0.63 (15.9)
3/8	SS-AVGA-20S6	1.50 (38.1)	1.19 (30.2)	0.81 (20.6)
9/16	SS-AVGA-20S9	1.78 (45.2)	1.41 (35.8)	0.94 (23.8)
3/4	SS-AVGA-20S12	2.00 (50.8)	1.59 (40.4)	1.25 (31.8)
1	SS-AVGA-20S16	2.38 (60.5)	1.69 (42.9)	1.50 (38.1)

### Coned and Threaded Nipples



T - Tube O.D. in.	Tx - Tube I.D. in.	Ordering Number	L in. (mm)
1/4	0.109	SS-CTN-20S4-2.75	2.75 (69.9)
1/4	0.109	SS-CTN-20S4-3	3 (76.2)
1/4	0.109	SS-CTN-20S4-4	4 (101.6)
1/4	0.109	SS-CTN-20S4-6	6 (152.4)
1/4	0.109	SS-CTN-20S4-8	8 (203.2)
1/4	0.109	SS-CTN-20S4-10	10 (254.0)
1/4	0.109	SS-CTN-20S4-12	12 (304.8)
3/8	0.203	SS-CTN-20S6-3	3 (76.2)
3/8	0.203	SS-CTN-20S6-4	4 (101.6)
3/8	0.203	SS-CTN-20S6-6	6 (152.4)
3/8	0.203	SS-CTN-20S6-8	8 (203.2)
3/8	0.203	SS-CTN-20S6-10	10 (254.0)
3/8	0.203	SS-CTN-20S6-12	12 (304.8)
9/16	0.312	SS-CTN-20S9-4	4 (101.6)
9/16	0.312	SS-CTN-20S9-6	6 (152.4)
9/16	0.312	SS-CTN-20S9-8	8 (203.2)
9/16	0.312	SS-CTN-20S9-10	10 (254.0)
9/16	0.312	SS-CTN-20S9-12	12 (304.8)
3/4	0.438	SS-CTN-20S12-4	4 (101.6)
3/4	0.438	SS-CTN-20S12-6	6 (152.4)
3/4	0.438	SS-CTN-20S12-8	8 (203.2)
3/4	0.438	SS-CTN-20S12-10	10 (254.0)
3/4	0.438	SS-CTN-20S12-12	12 (304.8)
1	0.562	SS-CTN-20S16-6	6 (152.4)
1	0.562	SS-CTN-20S16-8	8 (203.2)
1	0.562	SS-CTN-20S16-10	10 (254.0)
1	0.562	SS-CTN-20S16-12	12 (304.8)

### 20 Series Tubing

- ☆ Working pressure: 20000 psig (1379 bar).
- ☆ 316 and 304 stainless steel are standard material. Other materials are available upon request.
- ☆ Material, size, and heat code are indicated on the tubing surface.

T - Tube O.D. in.	Tx - Tube I.D. in.	Material	Basic Ordering Number	Tolerance O.D. in. (mm)
1/4	0.109	316 SS	SS-MT-20S4-	0.248/0.243(6.30/6.17)
1/4	0.109	304 SS	S4-MT-20S4-	0.248/0.243(6.30/6.17)
3/8	0.203	316 SS	SS-MT-20S6-	0.370/0.365(9.40/9.27)
3/8	0.203	304 SS	S4-MT-20S6-	0.370/0.365(9.40/9.27)
9/16	0.312	316 SS	SS-MT-20S9-	0.557/0.552(14.15/14.02)
9/16	0.312	304 SS	S4-MT-20S9-	0.557/0.552(14.15/14.02)
3/4	0.438	316 SS	SS-MT-20S12-	0.745/0.740(18.92/18.80)
3/4	0.438	304 SS	S4-MT-20S12-	0.745/0.740(18.92/18.80)
1	0.562	316 SS	SS-MT-20S16-	0.995/0.990(25.27/25.14)
1	0.562	304 SS	S4-MT-20S16-	0.995/0.990(25.27/25.14)

Add the actual foot (feet)/meter (meters) as a suffix to the basic ordering number to get the complete ordering number.

For example:

- 10 feet length, O.D. is 3/8", I.D. is 0.203", 316 SS 20 Series tube, the complete ordering number is: **SS-MT-20S6-10**.
- 6 meters length, O.D. is 3/4", I.D. is 0.438", 304 SS 20 Series tube, the complete ordering number is: **S4-MT-20S12-6M**.