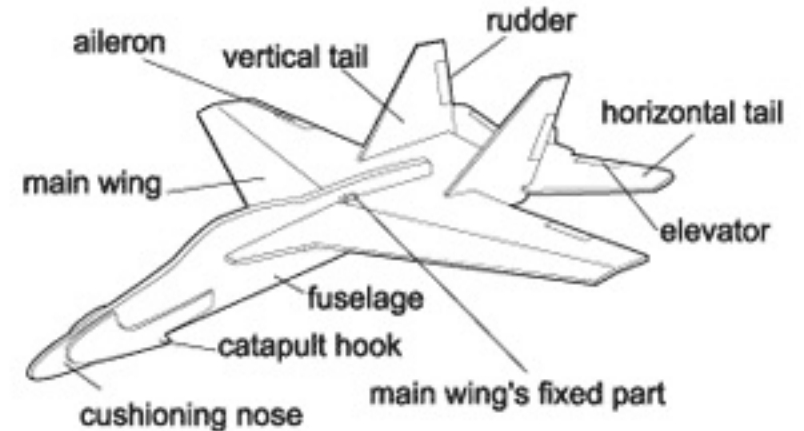
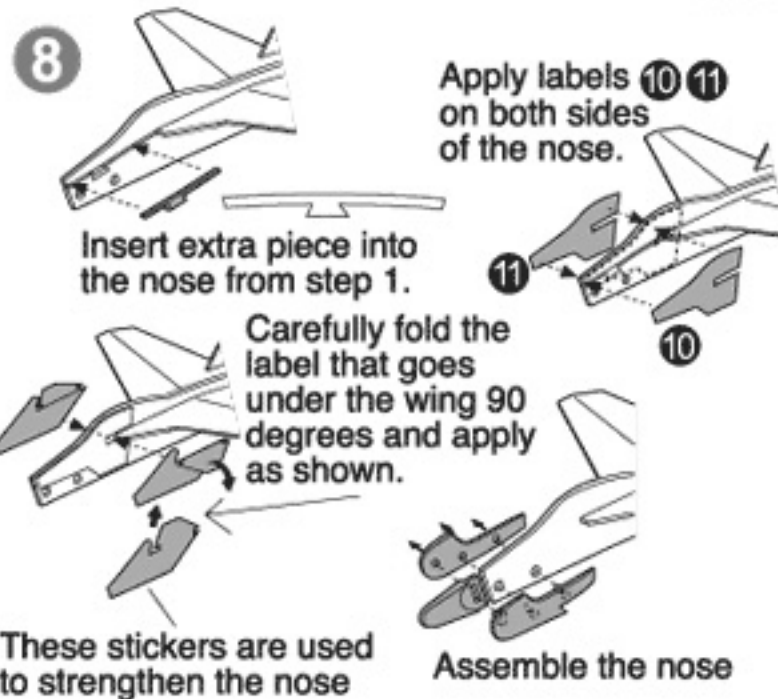
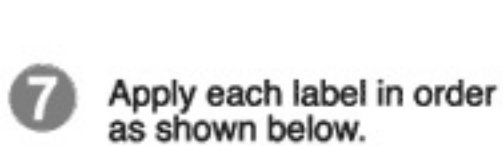
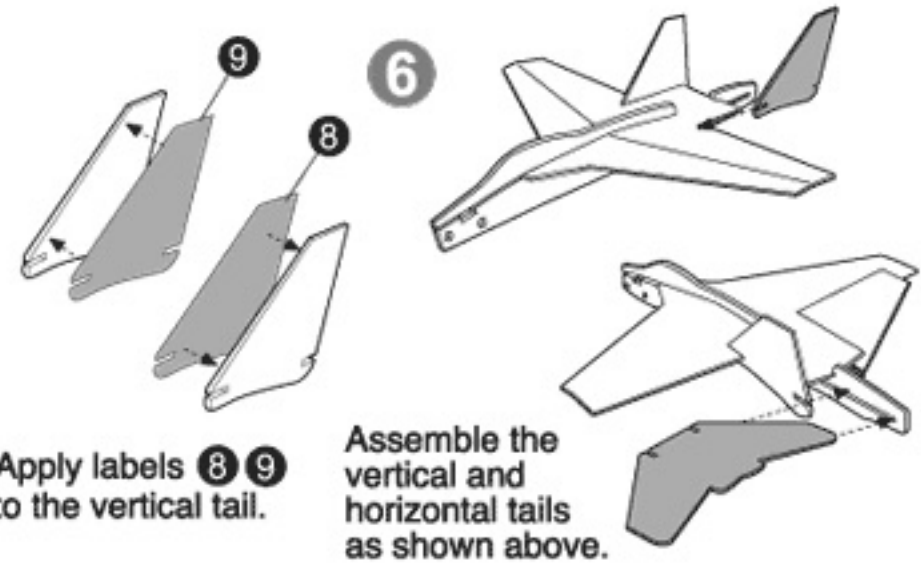
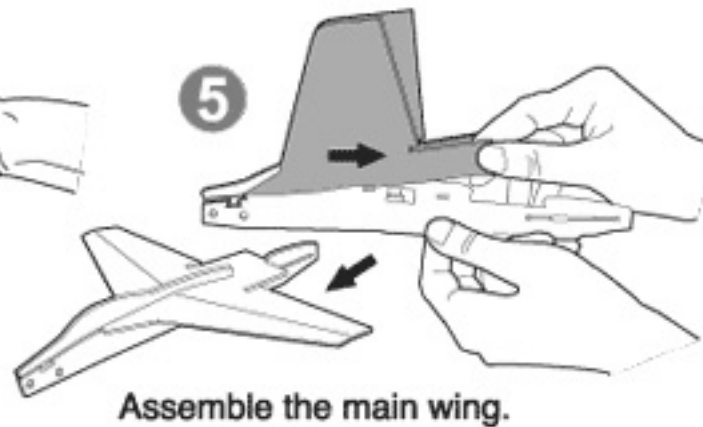
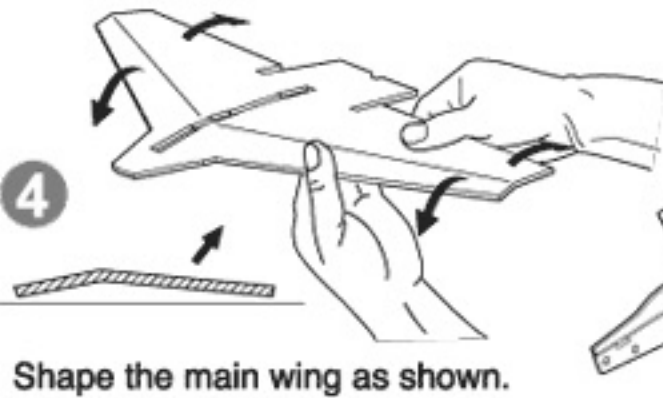
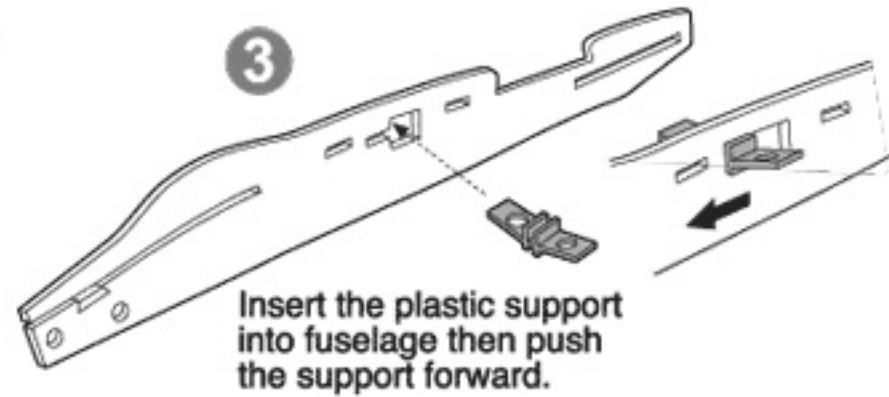
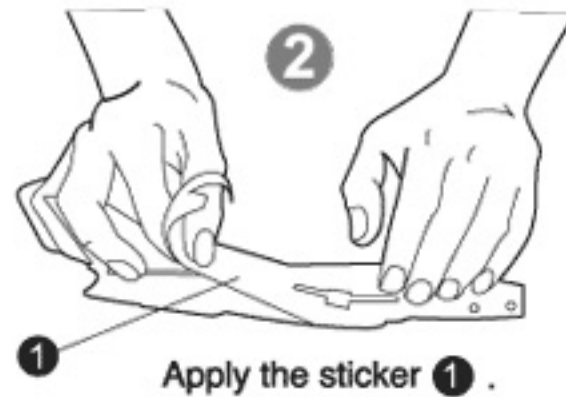


Catapult-Powered Long Distance Glider

INSTRUCTIONS

F/A-18 Hornet
Blue Angel Glider
 Item #SL-G18S

- Read all instructions carefully before assembling your plane
- When assembling or flying your plane, be careful not to bend or twist parts
- Adult guidance is recommended during assembly

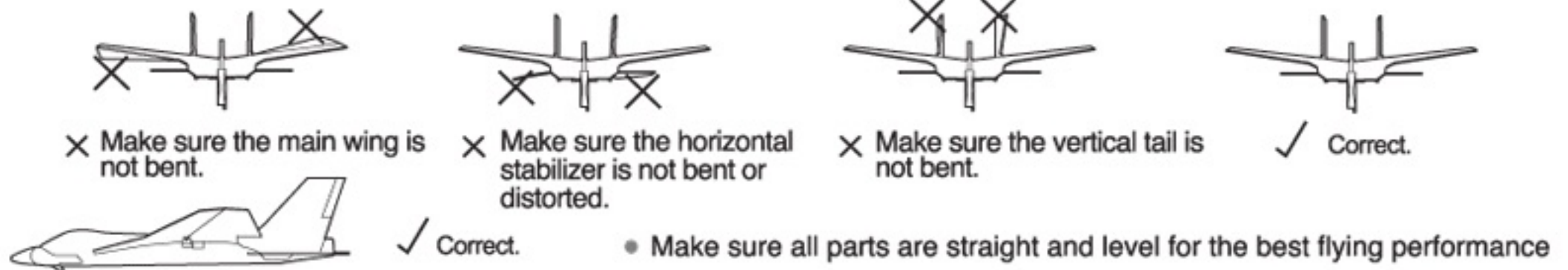


9 Finished!



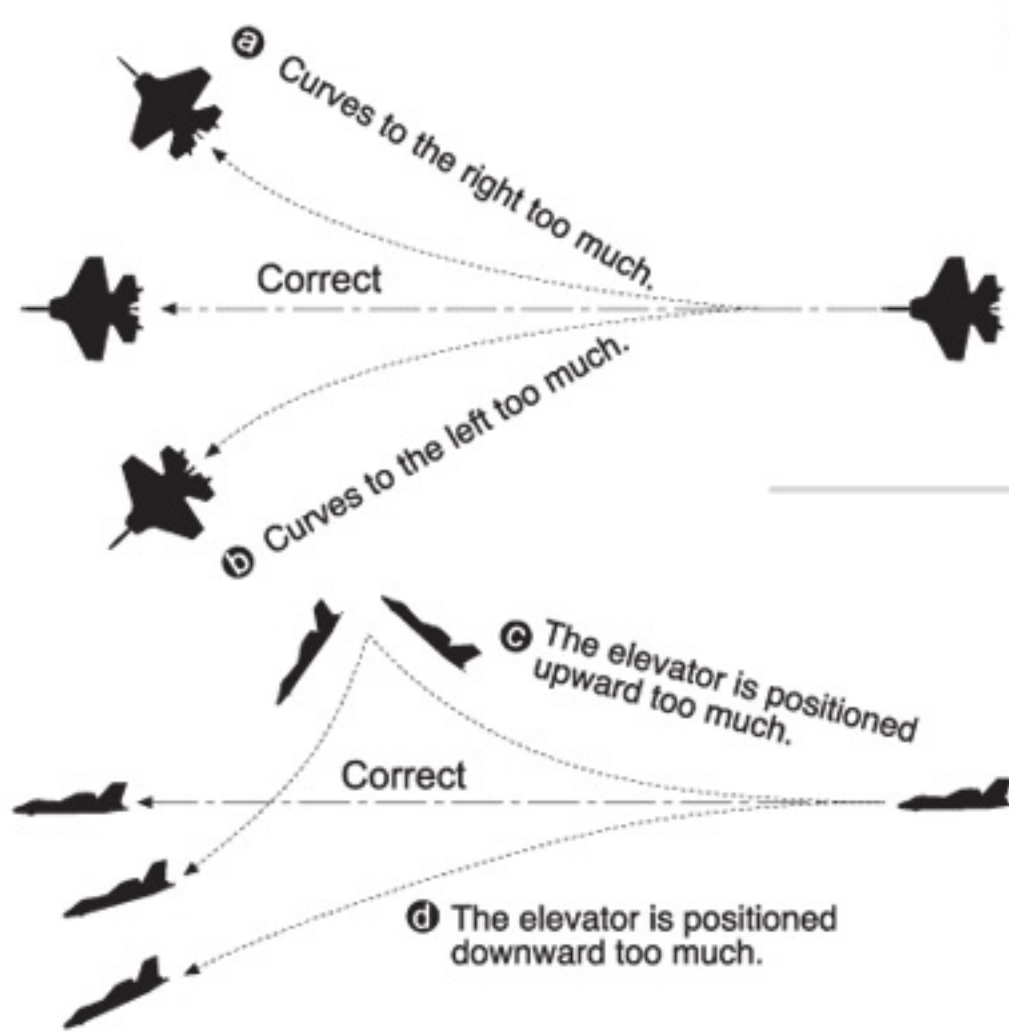
Here are some tips:

After assembly you may need to make the following adjustments. Straighten bent or warped parts as these will affect the flying performance of the plane.



Flight Adjustments:

- You may need to make adjustments to correct any flying or assembly problems. The simplest way to make adjustments is to first find a suitable open area and test the gliding action by hand launching your plane several times to observe its flight pattern. If necessary, make adjustments to the horizontal and vertical stabilizers until the plane flies straight and level.



- If the plane veers to the right (or left), turn both rudders to the left (or right). See diagrams below.



a Correction: Bend the rudder to left.



b Correction: Bend the rudder to right.

- If the plane stalls (stops flying and nose dives), you can adjust the elevators downward slightly. If the plane dives, you can bend the elevators upward. See diagrams below.



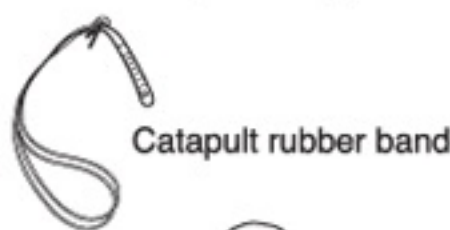
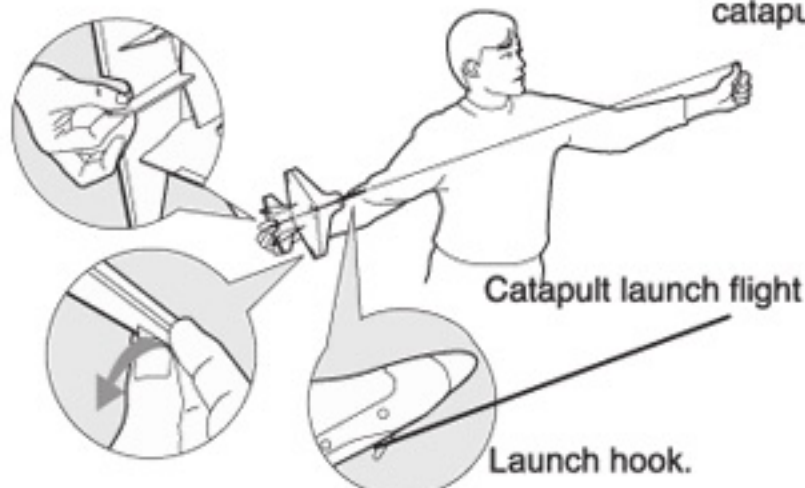
c Correction: Bend the elevator slightly downward.



d Correction: Bend the elevator slightly upward.

Fly Your Plane:

- If there is a breeze, you can achieve successful flights by hand launching the glider into the wind
- The other method of flying the glider is by catapult launch. Flying the glider by catapult is an exciting challenge that children will love to practice and perfect



Correction: ✗ Bend the left aileron slightly downward.

- Bend the left aileron slightly downward.

Long distance glider flight thrown by hand



Important Flight Information:

- Do not fly near electric power lines, trees, buildings, cars, radio and TV antennas or any tall obstruction.
- Do not point the plane towards people, animals or any fragile objects.
- The plane is suitable for indoor and outdoor use in calm winds. Never fly it in high winds, rain or storms.
- To avoid damage to the plane avoid throwing it where it may collide with other flying objects.
- For maximum protection, wear safety goggles.
- Do not overwind the rubber band as it may break and cause eye injuries.
- The wings can only be repaired by transparent tape; adhesive cannot be used to repair any part of the plane.
- For catapult launched planes, do not stretch the rubber band too far, as it could break and eye injury could result.

Repairs: If the wood body breaks you may use a quick-drying adhesive to repair it. Be careful not to use adhesives that contain thinner, alcohol or petroleum to repair it.



Please keep all instructions for future reference.