

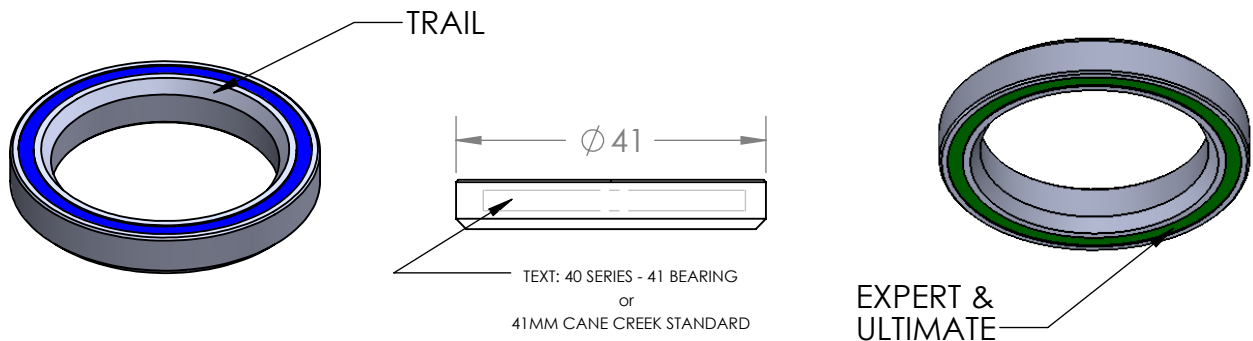
# OTSO CYCLES - VOYTEK CANE CREEK HEADSET BEARING REPLACEMENT 2017.12.20

To all Otso Cycles dealers and direct customers: We recently discovered that the Voytek bikes and framesets using Cane Creek headsets were shipped with the incorrect upper bearing. This is not a safety issue and is not a mandatory change but it does affect the ability to set the correct headset preload without binding or looseness so we strongly encourage changing to the correct bearing. We will provide replacement upper bearings free of charge for all of these bikes. Any bike using an FSA headset does not need this new bearing

Thanks everyone!

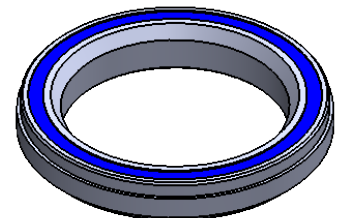
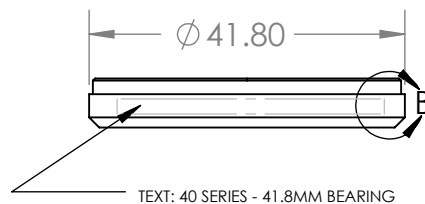
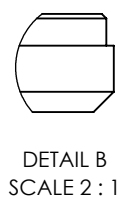
### Identifying an affected UPPER BEARING on your Voytek:

- Delivered between September 1st and December 15th
- 41MM bearing outside diameter
- TRAIL models with upper bearing featuring a BLUE seal
- EXPERT & ULTIMATE with upper bearing featuring a GREEN seal



### Unaffected Voyteks:

- FSA headset installed
- Bikes shipped after December 15th
- 41.8MM bearing outside diameter
- Stepped feature on bearing outside profile



### Additional Questions:

- Contact [scottk@otsocycles.com](mailto:scottk@otsocycles.com)