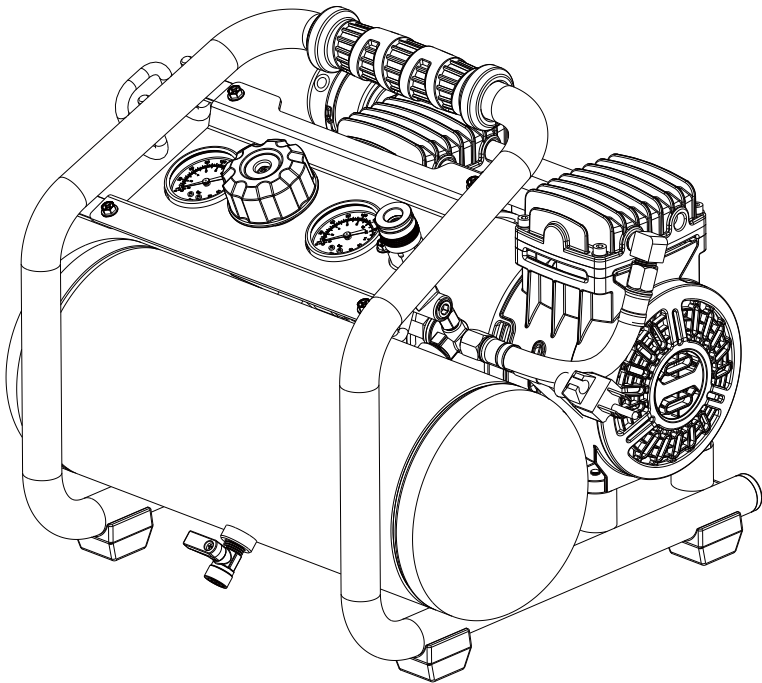


Product Model # SAQ-1234

Item # 3301881

STEALTH™

2 Gallon Quiet Air Compressor



OPERATOR'S MANUAL

CAUTION: To Reduce The Risk Of Injury, User Must Read And Understand Operator's Manual. Save These Instructions For Future Reference.

Toll Free Helpline: **1-888-899-0146**

TABLE OF CONTENTS

Technical Specifications.....	2
Safety Guidelines.....	3
Key Parts Diagram.....	5
Assembly Instructions.....	7
Operating Instructions.....	8
Maintenance.....	10
Troubleshooting.....	11
Exploded View.....	13
Parts List.....	14
Warranty.....	15

TECHNICAL SPECIFICATIONS

PRODUCT NUMBER	3301881
RUNNING HORSEPOWER	3/4 [†]
TANK SIZE(TOTAL)	2U.S. Gallons(7.5L)
AIR DELIVERY(CFM*)@40PSI	2.8 [†]
AIR DELIVERY(CFM*)@90PSI	1.8 [†]
CUT-IN PRESSURE(PSI)	95
CUT-OUT PRESSURE(PSI)	125
PUMP DESIGN	OIL-FREE
MOTOR	INDUCTION
POWER	120V, 60Hz, 5A
WEIGHT	42lbs(19kg)
POWER CORD	SJT 18 AWG / 72"(1.83m)

*CFM: Cubic Feet per Minute.

[†]This compressor is rated in accordance with ISO 1217, displacement compressors acceptance tests.



SAVE THESE INSTRUCTIONS

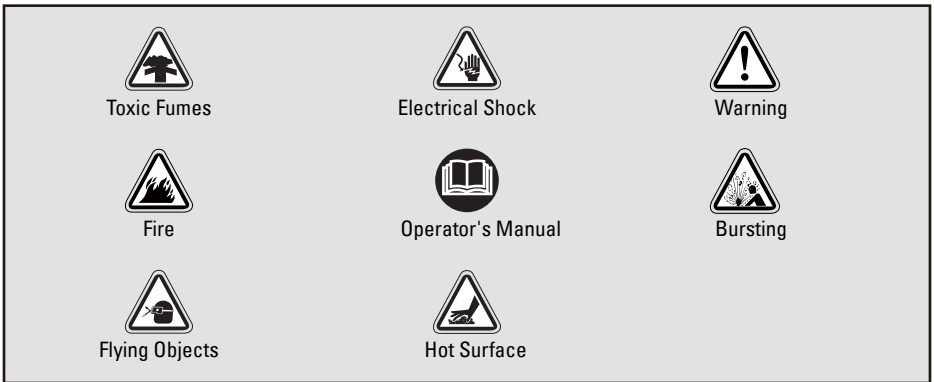
This manual contains important safety and operating instructions. Read all instructions and follow them with use of this product.

SAFETY GUIDELINES

Important Safety Information

The manufacturer cannot possibly anticipate every possible circumstance that might involve a hazard. The warnings in this manual, and the tags and decals affixed to the unit are, therefore, not all-inclusive. If you use a procedure, work method, or operating technique that the manufacturer does not specifically recommend, you must satisfy yourself that it is safe for you and others. You must also make sure that the procedure, work method, or operating technique that you choose does not render the compressor unsafe.

Safety Symbols and Meanings



△ The safety alert symbol indicates a potential hazard to personal injury. A signal word (DANGER, WARNING, or CAUTION) is used with the alert symbol to designate a degree or level of hazard seriousness. A safety symbol may be used to represent the type of hazard. The signal word NOTICE is used to address practices not related to personal injury.

△ DANGER: Indicates a hazard which, if not avoided, will result in death or serious injury.

△ WARNING: Indicates a hazard which, if not avoided, could result in death or serious injury.

△ CAUTION: Indicates a hazard which, if not avoided, could result in minor or moderate injury.

NOTICE: Address practices not related to personal injury.

SAFETY INFORMATION



DO NOT OPERATE THIS UNIT UNTIL YOU READ AND UNDERSTAND THIS INSTRUCTION MANUAL FOR SAFETY, OPERATION, AND MAINTENANCE INSTRUCTIONS.



WARNING



Risk of fire caused by sparks from motor and pressure switch could result in death or serious injury. Do not operate compressor near flammable gas or vapor. Never store flammable liquids or gas es in vicinity of compressor.



High pressure air could result in death or serious injury.

- Never operate above maximum operating pressure of the spray gun or tool. Drain water from tank after each use. Do not weld or repair tank.
- Do not operate with pressure switch or safety valve set above maximum allowable working pressure.



Hot compressors surfaces could result in serious injury. Allow compressor to cool before touching.



Inhalation hazard. Using compressor to supply breathing air could result in death or serious injury.

Do not use compressor to supply breathing air.



Risk of fire could result in death or serious injury.

- Do not spray flammable materials in vicinity of any flame or ignition sources including the compressor unit.
- Do not restrict compressor ventilation openings or place objects against or on top of compressor. Operate compressor only in a clean, dry, well ventilated area.
- Do not operate unattended. Always turn off and unplug unit when not in use.



Risk of serious eye injury. Always wear ANSI Z87.1 approved safety goggles when using air compressor. Do not spray any part of the body.



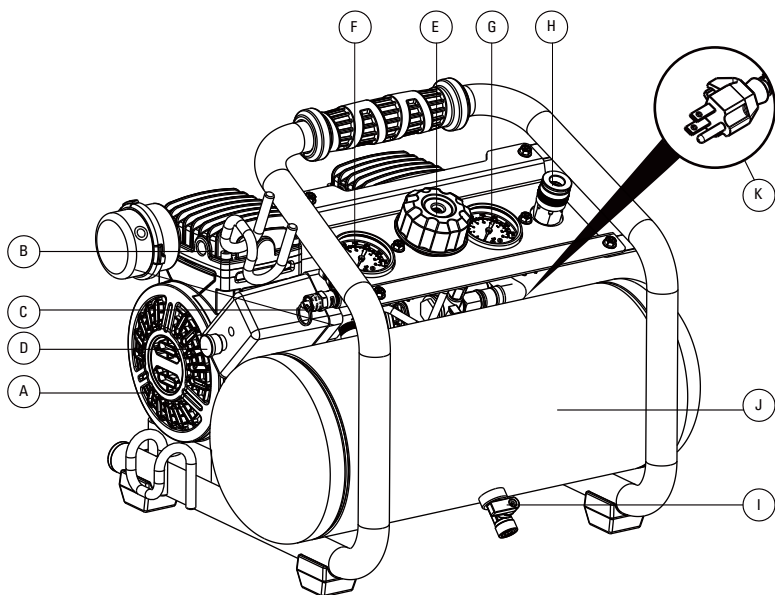
Shock risk could result in death or serious injury. Only connect compressor to a properly grounded receptacle. **KEEP CHILDREN AWAY FROM THE AIR COMPRESSOR AT ALL TIMES.**



Dust can be created when cutting, sanding, drilling or grinding materials such as wood, paint, metal, concrete, cement, or other masonry. To reduce your exposure to these chemicals, work in a well ventilated area and **ALWAYS** wear approved safety equipment.

⚠ WARNING: This product can expose you to chemicals including lead, which is known to the State of Californiato cause cancer, birth defects or other reproductive harm. For more information go to www.P65Warnings.ca.gov.

KEY PARTS DIAGRAM



A.	Electrical Motor	G.	Outlet Pressure Gauge
B.	Air Compressor Pump	H.	Quick Coupler
C.	Safety Valve	I.	Drain Valve
D.	ON/OFF Switch	J.	Air Tank
E.	Air Pressure Regulator	K.	Power Cord
F.	Tank Pressure Gauge		

PARTS DESCRIPTION

A Electric Motor

The motor is used to power the pump. It is equipped with a thermal overload protector. If the motor overheats for any reason, the thermal overload protector will shut it down in order to prevent the motor from being damaged.

B Air Compressor Pump

The pump compresses the air and discharges it into the tank via the piston that moves up and down in the cylinder.

C Safety Valve

This valve is used to prevent the compressor from building too much pressure. If the pressure reaches the preset level of the motor, it will automatically pop open. You can also pull the ring on the valve to open manually.

D ON/OFF Switch

This switch turns on the compressor and is operated manually. When in the ON position, it allows the compressor to start up or shut down automatically, without warning, upon air demand. ALWAYS set this switch to OFF when the compressor is not being used and before unplugging the compressor.

E Air Pressure Regulator

The regulator is used to adjust the pressure inside the line to the tool that is being used. Turn the knob clockwise to increase the pressure and counter-clockwise to decrease the pressure.

F Tank Pressure Gauge

The gauge measures the pressure level of the air that is stored in the tank. It cannot be adjusted by the operator and it does not indicate the pressure inside the line.

G Outlet Pressure Gauge

The gauge measures the regulated outlet pressure.

H Quick Coupler

The quick coupler is connected to a quick connector which is connecting to air hose.

I Drain Valve

The drain valve is used to remove moisture from the air tank after the compressor is shut off.

J Air Tank

The tank is where the compressed air is stored.

K Power Cord

This product is for use on a nominal 120-volt circuit and should be grounded. A cord with a grounding plug as illustrated must be used. Make sure that the product is connected to an outlet that has the same configuration as the plug (see Figure 1). No adapter should be used with this product. Check with a licensed electrician if the grounding instructions are not understood or there is doubt as to whether the product is properly grounded. Do not modify the the plug provided. If it will not fit the outlet, have the proper outlet installed by a licensed electrician.

DANGER



Improper installation of the grounding plug will result in a risk of electric shock. If repair or replacement of the cord or plug is necessary, do not connect the grounding wire to either flat blade terminal. The grounding wire is in the green outer surface.

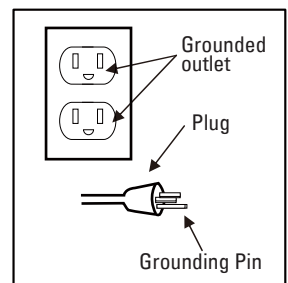


Figure 1

ASSEMBLY INSTRUCTIONS

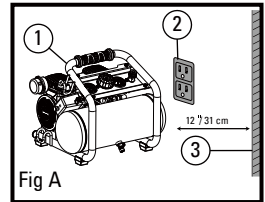
- Unpack the air compressor unit. Inspect the unit for damaged. If the unit has been damaged, contact the retailer immediately.
- Check the air compressor's identification label to ensure that you have purchased the intended model and that it has the required pressure rating for its intended use.

The carton should contain:

- Air compressor
- Owner's manual

Positioning of the air compressor

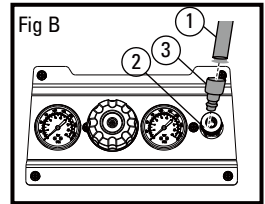
1. Position the air compressor (1) near an electrical outlet (2) (Fig A).
2. The compressor must be at least 12" (31cm) from any wall (3) or obstruction, in a clean, well-ventilated area to ensure sufficient air flow and cooling (Fig A).
3. Place the air compressor on the floor or a hard, level surface. The air compressor must be level to ensure proper drainage of the moisture in the tank.



Connect air hose to compressor

1. Connect the air hose (1) to the compressor's quick coupler (2) with the quick connector (3) (Fig B).

Note: Air hose and quick connector are not provided, need to be purchased separately. Apply plumber's tape on all the threads to prevent air leakage.



WARNING

High pressure air could result in death or serious injury. Never operate above maximum operating pressure of the spray gun or tool.



WARNING

Hot compressor surfaces could result in serious injury. Allow compressor to cool before touching.

Notice

If the pump has been transported or turned upside down (even partially), allow the pump to sit in a normal, upright position for approximately 10 minutes before starting.



WARNING

Risk of serious eye injury from moisture and debris. Always wear ANSI Z87.1 safety goggles when opening drain valve.



WARNING

High pressure air could result in death or serious injury. Shut off unit, unplug and release air pressure prior to servicing.



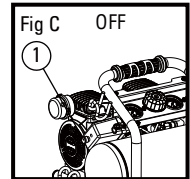
CAUTION

High pressure air containing water condensation could result in minor or moderate injury. Do not spray at any person.

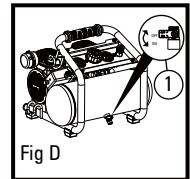
OPERATING INSTRUCTIONS

Break in the pump

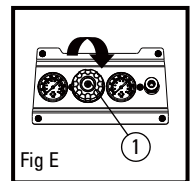
1. Set the ON/OFF switch (1) to the OFF position (Fig C).



2. Open tank drain valve (1) by turning it counter-clockwise to permit the air to escape and prevent air pressure build-up in the air tank during the break-in period (Fig D).



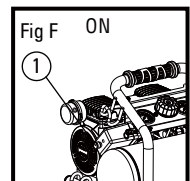
3. Turn the air pressure regulator knob (1) clockwise until it stops (Fig E).



4. Plug in the power cord

- Use a dedicated circuit. The compressor will use the full capacity of a typical 15A household circuit. If any other electrical devices are drawing from the compressor's circuit, the air compressor may fail to start voltage or an overload circuit can result in sluggish starting that causes the motor overload protection system or circuit breaker to trip, especially in cold conditions.
- Disconnect the power cord only after break-in process has been completed, otherwise the motor might get damaged.

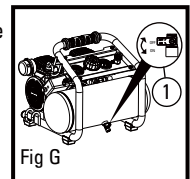
5. Set the ON/OFF switch (1) to the ON position. The compressor will start. Run the compressor for 30 minutes. If it fails, turn it off immediately and call the toll-free helpline at: 1-888-899-0146. Please note that breaking-in the unit is only required prior to first use (Fig F).



6. After 30 minutes, turn off the ON/OFF switch.

7. Close the tank drain valve (1) by turning it clockwise (Fig G).

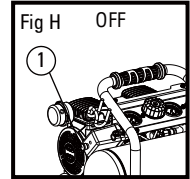
8. Set the ON/OFF switch to the ON position. The air receiver will fill to "cut-out" pressure and then the compressor's motor will stop. The compressor is now ready for use.



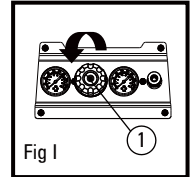
OPERATING INSTRUCTIONS

Before each start-up

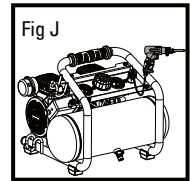
1.Set the ON/OFF switch (1) to the OFF position (Fig H).



2.Turn the air pressure regulator knob (1) counter-clockwise until it stops (Fig I).

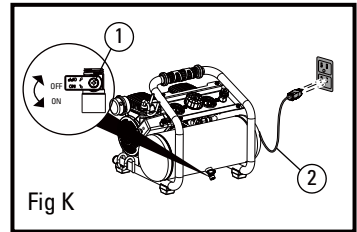


3.Attach hose and accessories (Fig J).(Hose and accessories need to be purchased separately.)



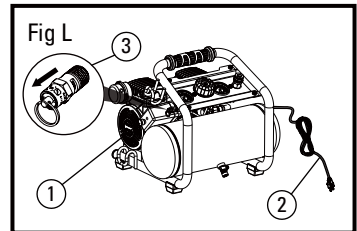
How to start

- 1.Close the tank drain valve (Fig K).
- 2.Plug-in the power cord (2) (Fig K).
- 3.Set the ON/OFF switch to the ON position and allow the tank pressure to build. Motor will stop when tank pressure reaches cut-out pressure.
- 4.Turn the air pressure regulator knob clockwise until desired pressure is reached.
- 5.The compressor is ready for use.



How to shut down

- 1.Set the ON/OFF switch (1) to the OFF position.
- 2.Unplug the power cord (2).
- 3.Reduce the pressure in the tank through the outlet hose. Pulling the safety valve ring (3) and keeping it open will also reduce the pressure in the tank (Fig L).
- 4.Set the tank drain valve (1) to ON to ensure tank is drained (Fig K).



MAINTENANCE

ITEM	DESCRIPTION / REASON	SERVICE INTERVAL
Drain the tank	Through normal operation of your air compressor, condensation of water will accumulate in the tank. To prevent corrosion of the tank from the inside, condensation must be drained at the end of every workday. Be sure to wear protective goggles. Relieve the air pressure in the system then open the drain valve on the bottom of the tank to drain. Under cold conditions it is especially important to drain the tank after each use to reduce the chance of problems resulting from the freezing of condensation water. NOTE: Refer to instructions on how to drain tank (page 10).	Daily
Check the valve	Pull the safety valve daily to ensure that it is operating properly and to clear the valve of any possible obstructions.	Daily
Test for leaks	Check that all connections are tight. Small leaks in the tank, hoses, connections or transfer tubes will substantially reduce the air compressor and tool performance. Spray a small amount of soapy water around the area of suspected leaks with a spray bottle. If bubbles appear, repair, replace or reseal the faulty component. Do not over-tighten any connections.	Monthly
Clean the air filter	A dirty air filter will reduce air compressor performance and life. To avoid contaminating the pump, the filter should be cleaned frequently and replaced on a regular basis. Clean the cartridge filter by blowing on it with a blow gun (page 10).	Weekly
Storage	<p>Before storing the air compressor:</p> <ul style="list-style-type: none"> • Drain tank (page 10). • Use an air blow gun to clean all dust and debris from the compressor. • Disconnect and wind up the power cord. • Clean the ventilation openings on the motor enclosure with a damp cloth. • Drain all moisture from the tank. • Pull the pressure safety valve to release all pressure from the tank. • WARNING: Storage covers could cause a fire resulting in death or serious injury. <ul style="list-style-type: none"> -Do not place a storage cover over a hot air compressor. -Let equipment cool for a sufficient time before placing the cover on the equipment. • Store the air compressor in a clean and dry location. • In cold weather, store the compressor in a warm building when it is not in use. This will reduce problems related to starting the motor and the freezing of water condensation. 	Prior to storing

Check Safety Valve

Before starting the compressor, pull the ring on the safety valve to make sure that the safety valve operates freely. If the valve is stuck or does not operate smoothly, contact a trained service technician.



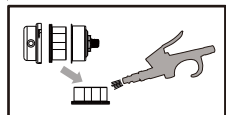
How To Drain Tank

1. Set the ON/OFF switch to the 0 (OFF) position.
2. Unplug the power cord.
3. Turn air pressure regulator knob counter-clockwise to set the outlet pressure to zero.
4. Pull and hold ring on safety valve, allowing air to bleed from the tank until air pressure is minimized.
5. Place suitable container under unit to catch water.
6. Slightly tilt unit and turn drain valve counter-clockwise to open.
7. After the water has been drained, close the drain valve (clockwise). The air compressor can now be stored.



How to Clean The Air Filter

A dirty filter will reduce the unit's performance and life. To avoid any contamination inside the pump, the filter should be cleaned weekly and replaced on a regular basis. The cartridge filter should be cleaned with blow gun.



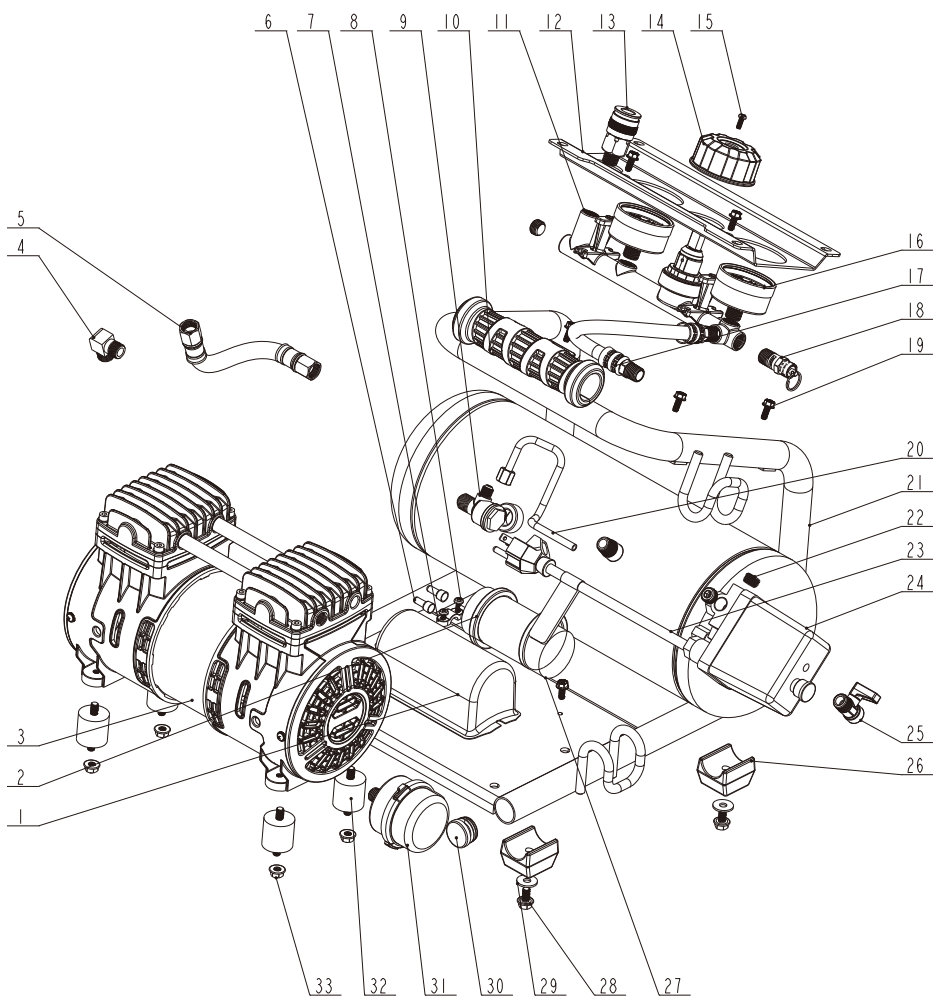
TROUBLESHOOTING

PROBLEM	POSSIBLE CAUSE	SOLUTIONS
The motor will not run or start.	The power cord is not plugged in.	Plug the power cord into a grounded outlet.
	The on/off switch is in the O (OFF) position.	Set the on/off switch to the ON position.
	The extension cord is the wrong wire gauge or is too long.	Check extension cord information for the proper wire gauge and cord length.
	The motor's thermal overload protection has tripped.	Turn the air compressor off, unplug the power cord and wait until the motor has cooled down. Plug in the power cord only after the motor has cooled down, and wait at least 5 minutes to make sure the thermal overload protector has recovered.
	A fuse has blown or a circuit breaker has been tripped.	Replace the fuse or reset the circuit breaker.
		Verify that the fuse has the proper amperage.
		Check for low voltage conditions.
	The air tank pressure exceeds the preset pressure switch limit.	The motor will start automatically when the tank pressure drops below the cut-in pressure.
	The safety valve is stuck open.	Clean or replace the safety valve.
Electrical connections are loose.	Contact an authorized service center, or call 1-888-899-0146.	
The motor, capacitor or safety valve is defective.	Contact an authorized service center, or call 1-888-899-0146.	
The motor runs continuously when the ON/OFF switch is in the ON position.	The ON/OFF switch does not shut off the motor when the air compressor reaches the cut-out pressure and the safety valve activates.	Set the ON/OFF switch to the OFF position. If the motor does not shut off, unplug the air compressor. If the pressure switch is defective, replace it.
	The compressor's capacity is not enough.	Check the air requirements of the accessory that is being used. If it is higher than the CFM (Cubic Feet per Minute) and pressure supplied by the compressor (page 2), a larger capacity air compressor is needed. Most accessories are rated at 25% of actual CFM while running continuously.
The regulator does not regulate the pressure.	The regulator or its internal parts are dirty or damaged.	Replace the regulator.

TROUBLESHOOTING

PROBLEM	POSSIBLE CAUSE	SOLUTIONS
The pressure is low or there is not enough air.	There is a leak at one of the fittings.	Check the fittings with soapy water. Tighten or reseal leaking fittings (apply plumber's tape on threads). Do not over tighten.
	The tank drain valve is open.	Close the drain valve.
	The air intake is restricted.	Clean or replace the air filter element.
	Prolonged excessive use of air.	Decrease the amount of air used.
	There is a hole in the air hose.	Check the air hose and replace it if necessary.
	The tank leaks.	Replace the tank immediately. Do not attempt to repair it.
	The valve is leaking.	Check for worn parts and replace them if necessary.
There is moisture in the discharge air.	There is condensation in the air tank caused by a high level of atmospheric humidity or because the air compressor has not been running long enough.	Drain the air tank after each use. Drain the air tank more often in humid weather and use an air-line filter.
The compressor overheats.	The ventilation is inadequate.	Relocate the compressor to an area with cool, dry and well-circulated air.
	Cooling surfaces are dirty.	Clean all cooling surfaces on the pump and the motor thoroughly.
	The valve is leaking.	Replace worn parts and reassemble using new plumber's tape.

EXPLODED VIEW



PARTS LIST

No.	Description	Qty.
01	Capacitor Shroud	1
02	Clamp Ring	2
03	550 Mute Machine	1
04	Elbow Fitting	1
05	Transfer Tube	1
06	Crimp Cap	2
07	Crimping Board CLT-1	1
08	Screw M4x12	2
09	Check Valve	1
10	Handgrip	1
11	Pressure Regulator	1
12	Control Panel	1
13	Quick Coupler	1
14	Pressure Regulator Knob	1
15	Screw M4x10	1
16	Pressure Gauge	2
17	Rubber Hose	1

No.	Description	Qty.
18	Safety Valve	1
19	Screw M5x12	8
20	Tube Assembly	1
21	Tank	1
22	End Cap	3
23	Power Cord	1
24	Pressure Switch	1
25	Drain Valve	1
26	Foot Mat	4
27	Capacitor	1
28	Bolt	4
29	Washer	4
30	End Cap	2
31	Muffler	1
32	Damping Pad	4
33	Nut M6	4

STEALTH™

STEALTH WARRANTY

LIMITED LIFETIME WARRANTY

ONLY THE PUMP AND MOTOR ARE COVERED IN THE LIFETIME WARRANTY

Warranty covers any defects in materials or workmanship of the enclosed product.

Alton Industry Ltd. Group will repair or replace any defective materials due to craftsmanship of the product.

THIS WARRANTY DOES NOT COVER ANY PROBLEM CAUSED BY MISUSE, ABUSE, ACCIDENTS OR ACTS OF GOD, SUCH AS FLOODS OR HURRICANES. CONSEQUENTIAL AND INCIDENTAL DAMAGES ARE NOT COVERED UNDER THIS WARRANTY. HUMAN DAMAGE AND DISASSEMBLY WILL NOT BE COVERED BY THE WARRANTY.

If you feel you have a defective product, please submit a copy of your receipt to the address below and call 1-888-899-0146 for instructions prior returning this item to the store or sending back to:

Alton Industry Ltd. Group
1031 North Raddant Rd
Batavia, Illinois 60510

We will inspect the product and contact you within 72 hours to give you the results of our inspection. We reserve the right to repair or replace the product at our discretion. However, we may replace the product with one of similar but not exact features. Parts and Service Information available call Alton Industry at 1-888-899-0146.

This warranty gives you specific legal rights. You may have other rights which vary from state to state.

WWW.StealthCompressors.com/Register

**SAVE YOUR RECEIPTS - THIS WARRANTY IS
VOID WITHOUT PROOF OF PURCHASE**