

**BLACK+  
DECKER**

**INSTRUCTION MANUAL  
MANUAL DE INSTRUCCIONES**

**VACUUM+WASH DUO  
DÚO ASPIRADORA+LAVADO**

**BXUVXA01**




**Please read before returning this appliance for any reason.  
Por favor, lea antes de devolver este aparato por cualquier motivo.**

# CONTENTS

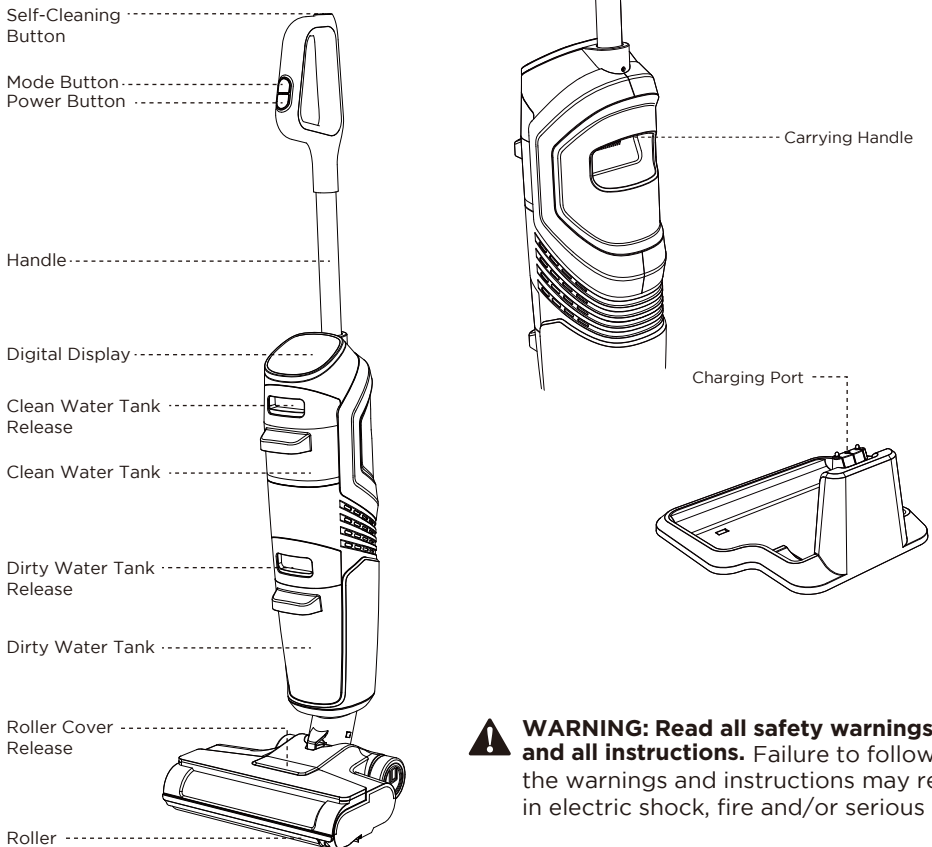
SAFETY ALERT SYMBOLS.....	2
PRODUCT OVERVIEW.....	2
IMPORTANT SAFETY INSTRUCTIONS.....	3
WHAT'S IN THE BOX.....	7
DISPLAY.....	8
ASSEMBLY & DISASSEMBLY.....	8
APPLIANCE OPERATION.....	11
DAILY MAINTENANCE.....	14
SOLUTIONS TO COMMON PROBLEMS.....	17
TROUBLESHOOTING.....	18
SPECIFICATIONS.....	19
BATTERY DISPOSAL INSTRUCTIONS.....	19
WARRANTY.....	20


## DEFINITIONS: SAFETY ALERT SYMBOLS AND WORDS

This instruction manual uses the following safety alert symbols and words to alert you to hazardous situations and the risk of personal injury or property damage.

-  **DANGER:** Indicates an imminently hazardous situation which, if not avoided, **will** result in **death or serious injury**.
-  **WARNING:** Indicates a potentially hazardous situation which, if not avoided, **could** result in **death or serious injury**.
-  **CAUTION:** Indicates a potentially hazardous situation which, if not avoided, **may** result in **minor or moderate injury**.
- NOTICE:** Indicates a practice **not related to personal injury** which, if not avoided, **may** result in **property damage**.

## PRODUCT OVERVIEW



 **WARNING: Read all safety warnings and all instructions.** Failure to follow the warnings and instructions may result in electric shock, fire and/or serious injury.

 **WARNING:** To reduce the risk of injury, read the instruction manual.

## IMPORTANT SAFETY INSTRUCTIONS

Read all instructions before using this appliance. If the appliance is passed to a third party for use, please attach this manual to the appliance. When using an electrical appliance, basic precautions should be observed, including the following:

### **WARNING:**

#### **To reduce the risk of fire, electric shock, or injury:**

1. Use indoors only. Do not use the appliance in outdoor, commercial, or industrial environments.
2. Do not use the appliance as a toy. Children should be supervised to ensure that they do not play with the appliance.
3. Only use as described in this user manual. Only use attachments recommended or sold by the manufacturer.
4. Do not charge with a damaged power cord or plug. Take care not to damage the power cord or plug. Discard the appliance or return to an authorized service facility for examination and/or repair.
5. Do not use to pick up anything that is burning or smoking, such as cigarettes, matches, or hot ashes.
6. Do not use to pick up sharp objects, such as metallic nails, pieces of glass, metal paper clips, or pins.
7. Do not use to pick up hazardous material and chemicals, such as solvents, drain cleaner, strong acids, or strong alkali, substances that may react chemically with water.
8. Do not use to pick up ultrafine particles, such as lime, cement, sawdust, gypsum powder, or ashes.
9. Do not use to pick up flammable or combustible materials such as gasoline, printer or copier toner, or use in areas where they may be present.
10. Do not use a battery pack or appliance that is damaged or modified. Damaged or modified batteries may exhibit unpredictable behavior resulting in fire, explosion or risk of injury.
11. Do not use the appliance in an enclosed space filled with vapors given off by oil-based paint, paint thinner, some moth-proofing substances, flammable dust, or other explosive or toxic vapors.
12. Do not use without filter in place.
13. Do not expose a battery pack or appliance to fire or excessive temperature. Exposure to fire or temperature above 130°C/265°F may cause explosion.
14. Do not charge the appliance outdoors.

15. Do not handle charging base, charging plugs, or appliance with wet hands.
16. Do not immerse in water or liquid. Do not place or submerge appliance in standing water or try to clean flooded areas. Use only on surfaces moistened by the cleaning process.
17. Do not unplug by pulling on charging base cord. To unplug, grasp the adapter, not the cord.
18. Do not put any object into openings. Do not use with any opening blocked.
19. Keep hair, loose clothing, fingers, and all parts of body away from openings and moving parts of the appliance and its accessories.
20. Use extra care when cleaning on stairs. Prevent the appliance from falling.
21. Prevent unintentional activation. Ensure the appliance is off before picking up or carrying the appliance. Carrying the appliance with your finger on the button.
22. Recharge only with the adapter specified by BLACK+DECKER. Use of other types of adapters may cause a fire.
23. Always turn off the appliance before making any adjustments, changing accessories, or storing the appliance.
24. Use appliance only with specifically designated BLACK+DECKER battery packs. Use of any other battery packs may cause a risk of injury and fire.
25. Under abusive conditions, liquid may be ejected from the battery; avoid contact. If contact accidentally occurs, wash with water. If liquid contacts eyes, seek medical help. Liquid ejected from the battery may cause irritation or burns.
26. Follow all charging instructions and do not charge the battery pack or appliance outside of the temperature range 4-40°C/40-104°F. Charging improperly or at temperatures outside this range may damage the battery and increase the risk of fire.
27. Have servicing performed by a qualified repair person using only identical replacement parts. This will ensure that the safety of the product is maintained.
28. Do not modify or attempt to repair the appliance except as indicated in the instructions for use and care.
29. Always turn off the appliance before cleaning and servicing it.


30. Stop using immediately if the appliance is overheating, making unusual noises, producing unusual odors, performing low suction, or leaks electricity.
31. Unplug adapter from electrical socket when not in use, before cleaning, maintaining or servicing the appliance.
32. Store appropriately indoors in a dry place after use.
33. Keep cord away from heated surfaces.
34. Always clean the dirty water tank after each use to avoid potential blockage, which may lead to low suction power, motor overheating, or reduce the service life of the appliance.
35. Do not pull or carry charging base by cord, use cord as a handle, close door on cord, or pull cord around sharp edges or corners.
36. Do not incinerate the appliance even if it is severely damaged. The batteries will explode.
37. Do not carry the appliance while in use.
38. Plastic film can be dangerous. To avoid danger of suffocation, keep away from babies and children.
39. When the battery pack is not in use, keep it away from other metal objects, like paper clips, coins, keys, nails, screws or other small metal objects, that can make a connection from one terminal to another. Shorting the battery terminals together may cause burns or a fire.
40. If the appliance is not working as it should, has been dropped, damaged, left outdoors, or dropped into water, return it to a service center.
41. Always connect to a proper electrical socket.
42. Do not turn on your appliance until you are familiar with all instructions and operating procedures.
43. The battery must be removed from the appliance before it is scrapped.
44. The charging base is only for BLACK+DECKER BXUVXA01.
45. Do not add other solutions, such as alcohol, disinfectant, etc.
46. Do not add materials that are prone to foaming.

## RANGE OF USAGE

1. The appliance is to be used on indoor hard floors and carpets, such as vinyl, tile, sealed wood, short pile carpet, etc. Use on a rough surface may not get the best performance.
2. Keep the appliance away from heat sources, such as fireplace or heater, to avoid casing deformation.
3. Do not use to pick up flammable or combustible liquids, ultrafine particles, sharp objects, hazardous material, chemicals, or anything that is burning or smoking, as described above.


## ABOUT CLEANING SOLUTIONS


1. Use this appliance ONLY as described in the manual. Recommend using with BLACK+DECKER cleaning tablets.
2. Overfill of liquid cleaning solution into the motor may cause damage to the appliance.
3. Dirty water and tablet disposal should comply with local environmental regulations.


 **WARNING:** Keep out of reach of children. If any solution gets into the eyes, immediately flush them with clean water. If any product is swallowed by accident, seek medical care immediately.

## ABOUT THE APPLIANCE

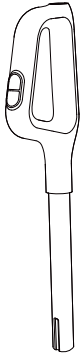
1. Use extra care when cleaning on stairs.
2. Ensure that the Power button is turned OFF before picking up or carrying the appliance. Do not lay flat or overlean the appliance to prevent dirty water from entering into the motor.
3. To avoid being tripped accidentally, please put away the appliance on the charging base.
4. Always install the dirty water tank and clean water tank properly before use.

 **WARNING:** Do not modify or attempt to repair the appliance except as indicated in the instructions for use and care.

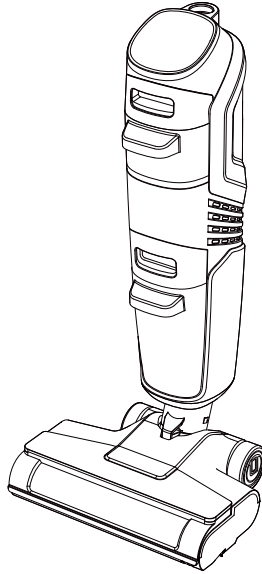
 **WARNING:** Charge the appliance with the adapter. Input Voltage: 120V. Both high and low voltages can damage the adapter, appliance, or even cause danger to the user.

 **WARNING:** Do not allow the appliance, charging base or adapter to get wet to avoid risk of fire or injury caused by a short circuit.

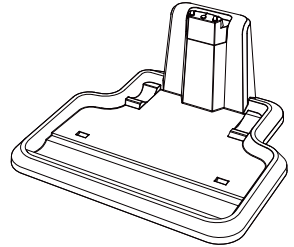
## WHAT'S IN THE BOX



**Handle**



**Body**

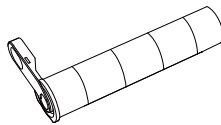


**Charging Base**



**Foam Filter**

**Model: BXUVXAC01**

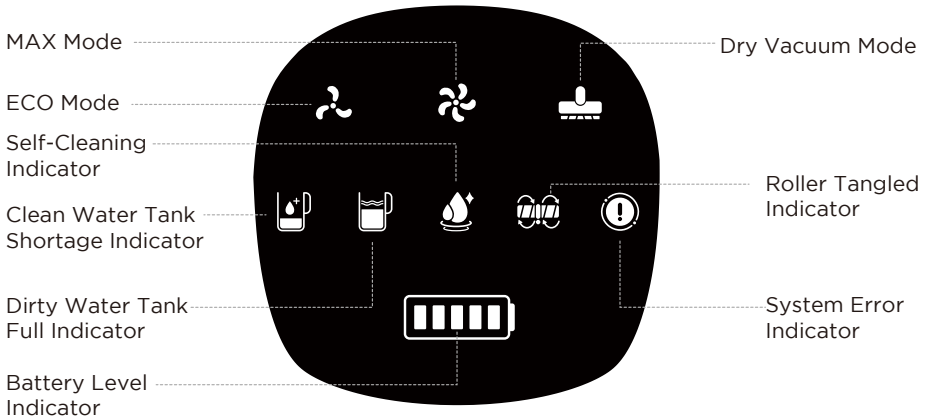


**Soft Roller**

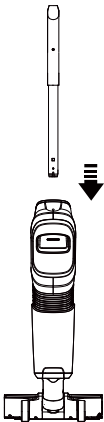
**Model: BXUVXAR01**



## DISPLAY

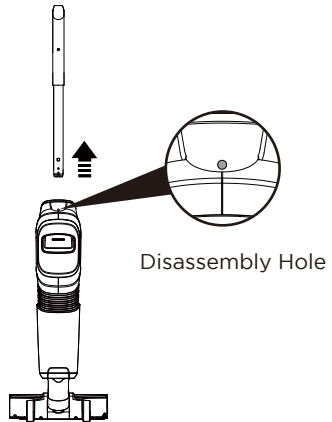


## ASSEMBLY & DISASSEMBLY



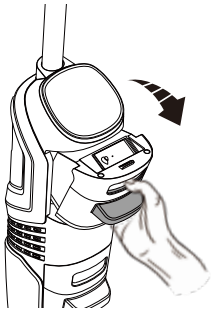
### Assemble Handle

To assemble the handle, insert it into the appliance until you hear a click.



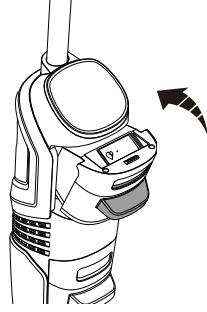
### Disassemble Handle

To disassemble the handle, insert a tool (not included) into the disassembly hole on the back of the appliance, press firmly against the stopper, and pull the handle upward to complete the disassembly.



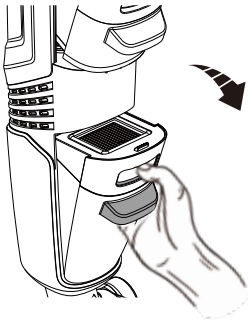
### **Disassemble Clean Water Tank**

To disassemble the clean water tank, press the clean water tank release button to remove it from the appliance.



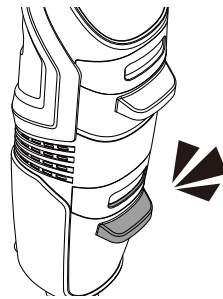
### **Assemble Clean Water Tank**

To assemble the clean water tank, align the bottom of the clean water tank with the groove and push the tank until it “clicks” into place.



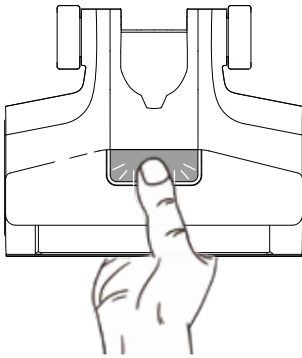
### **Disassemble Dirty Water Tank**

To disassemble the dirty water tank, press the dirty water tank release button to remove it from the appliance.



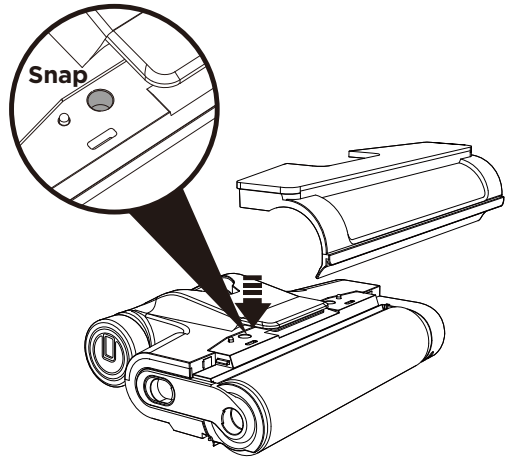
### **Assemble Dirty Water Tank**

To assemble the dirty water tank, insert the bottom of the tank first, then pivot the top toward the appliance until it “clicks” into place.



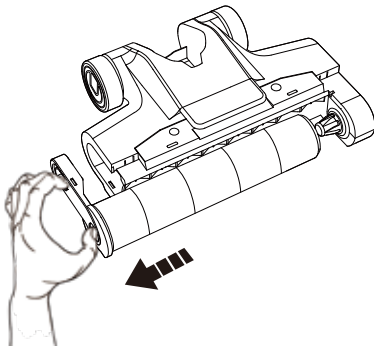
### Disassemble Roller Cover

Press middle of the roller cover release button to remove it.



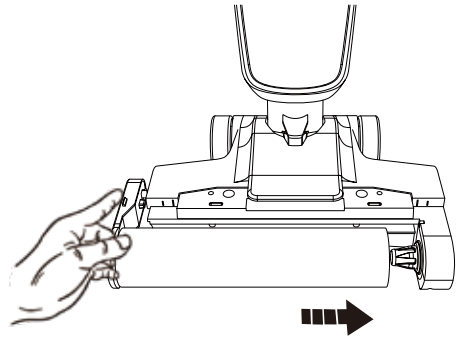
### Assemble Roller Cover

To assemble the roller cover, first align the roller cover with the snap position, press down with both hands until it "clicks" into place.



### Disassemble Roller

To remove the roller, pull up the left handle of the roller with your fingers to remove it.



### Assemble Roller

To assemble the roller, squeeze the roller handle with your hand, align the right side of the roller with the right end cover first, then put the left end of the roller handle into the slot, until it "clicks" into place.

## APPLIANCE OPERATION

### —Vacuum Modes—



#### **ECO Mode**

For daily cleaning.



#### **MAX Mode**

For heavy dirty cleaning.

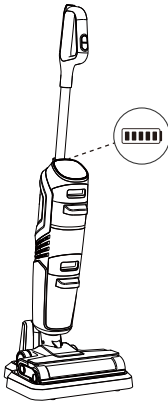


#### **Dry Vacuum Mode**

For carpet cleaning.

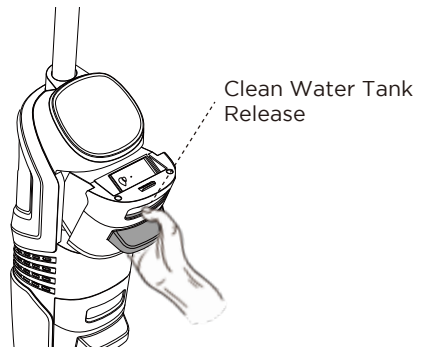
### —Appliance Use—

①



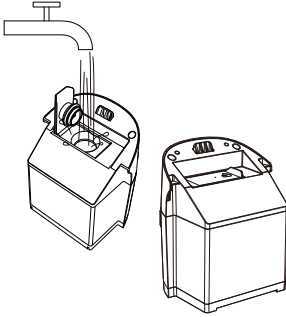
1. Before use, please charge the appliance for about 5 hours (on page 13).

②



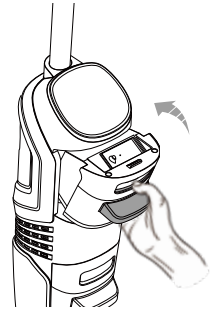
2. To disassemble the clean water tank, press the clean water tank release button to remove it from the appliance.

3



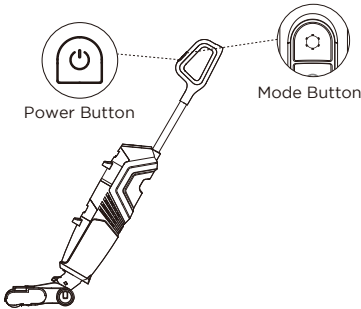
3. Fill the clean water tank with water. When deep cleaning is required, it is recommended to clean with BLACK+DECKER cleaning tablets, Model #: BXCTXA030 (Not included)

4



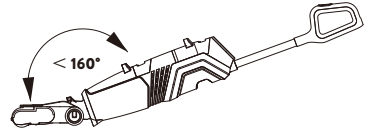
4. To assemble the clean water tank, align the bottom of the clean water tank with the groove and push the tank until it “clicks” into place.

5



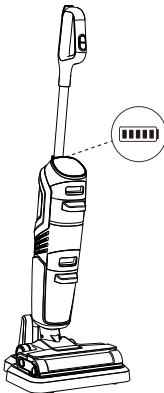
5. Press the power button to turn it on. Switch to ECO/MAX/Dry Vacuum mode according to floor types by pressing the mode button.

6



6. Tilt the angle properly. Do not recline the appliance more than 160° to protect against water leakage.

7



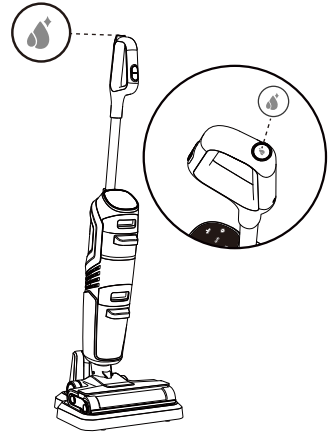
7. Place the appliance on the charging base vertically after use for charging. Then start the cleaning process (located on the next page).

**Note:**

1. Do not vacuum foamed liquid.
2. Do not add cleaning solutions that are prone to foaming.
3. Do not tilt the machine (less than 45°C) to one side or lay it flat to prevent dirty water from entering the motor.
4. Do not fill hot water in the clean water tank.
5. Do not soak or rinse the appliance and the charging base with water.

## —Self-Cleaning —

1. Place the appliance on the charging base.
2. Make sure the water in the clean water tank exceeds half.
3. Ensure the dirty water tank is clean (see page 14).
4. Press the self-cleaning button to clean the roller. Takes around 90 seconds.
5. The self-cleaning process will be paused if the self-cleaning button is pressed while cleaning.



### **Note:**

1. Ensure the charging base is plugged in.

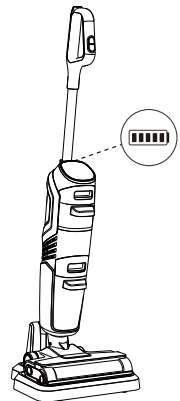
## —Appliance Charging—

Make sure the appliance is fully charged before use.

1. To charge the appliance, place the appliance on the charging base vertically.
2. Plug the adapter into a suitable wall outlet. The Battery Indicator will flash when charging.
3. To avoid tripping hazards, please place the appliance on the charging base near a wall during charging.
4. For maximum run time, charge the appliance for 5 hours.

### **⚠ Warning:**

1. Only charge the appliance with the charging base supplied by BLACK+DECKER.
2. During long periods of not being used, the appliance must be charged once every 3 months for optimal performance.
3. Store indoors in a dry, cool area. Do not expose the appliance to sunlight or freezing environment.



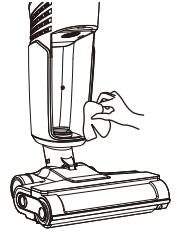
## DAILY MAINTENANCE

**⚠ WARNING:** Turn unit off and remove from charging base before performing any maintenance.

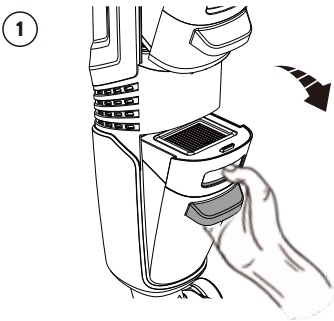
For optimal performance and to prevent odors, always clean and dry dirty water tank, filter, roller, roller cover completely after each use.

### ---Debris Channel---

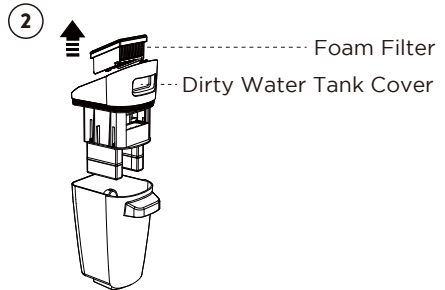
After each use, remove the dirty water tank and lightly wipe any dirt inside the tube and on the sensor with a washcloth.



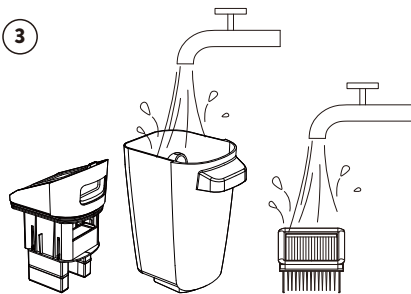
### ---Cleaning the Dirty Water Tank & Filter---



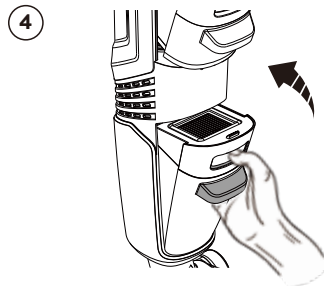
Press the dirty water tank release button to remove the dirty water tank.



Remove the filter from the dirty water tank cover, pull out the dirty water tank cover upwards and pour out the dirty water.

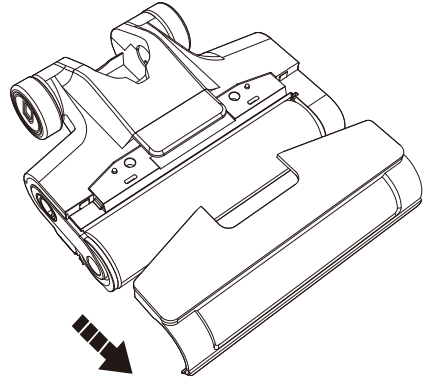
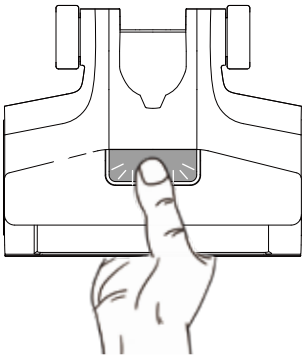


Rinse the dirty water tank cover and the dirty water tank with water, and use the cleaning tool (not included) to clean the dirty water tank.

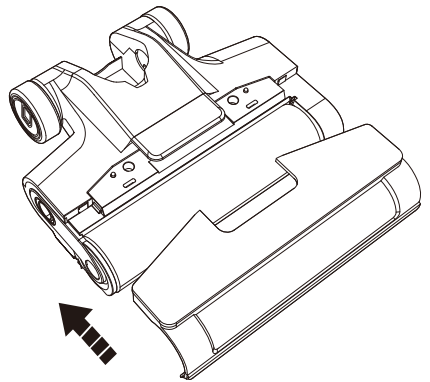
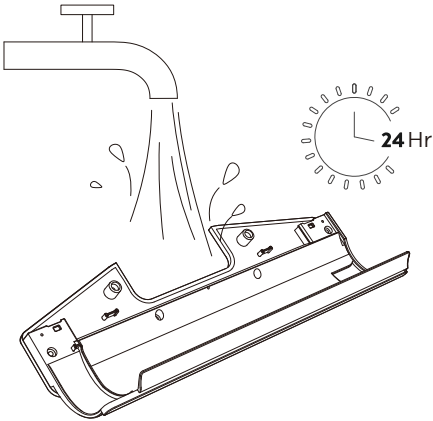


Ensure the dirty water tank is clean and completely dry, assemble it into place. (Directions on page 9)

—Cleaning the Roller Cover—



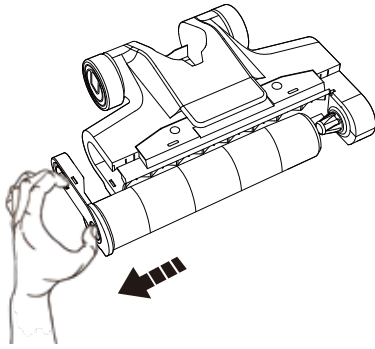
Press the roller cover release to remove roller cover.



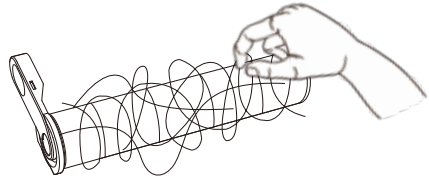
Rinse the roller cover with clean water, and wait for it to completely dry before assembling.



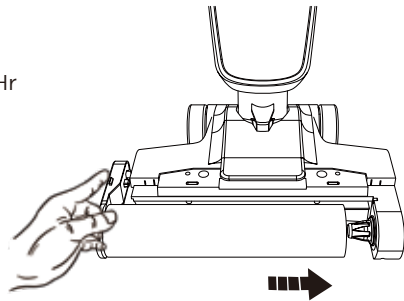
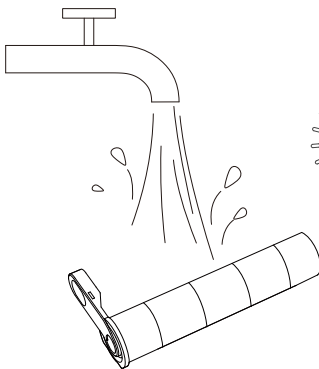
## —Cleaning the Roller—



Press the roller release, remove the roller.



Clean the tangle by hand.



Rinse the roller with clean water as well as wait for it to dry completely before assembling.

## SOLUTIONS TO COMMON PROBLEMS

NO.	Problem	Possible Cause	Solution
1	The appliance does not turn on or is not working	1. Low battery	1. Charging before use (on page 13)
		2. Dirty water tank full	2. Empty the dirty water tank (on page 14)
		3. Roller is tangled	3. Clean the roller (on page 16)
		4. Appliance is overheating	4. Restart after cooling down around half an hour.
2	The appliance does not charge	1. The appliance is not properly placed on the charging base	1. Place the device in the charging dock properly (on page 12)
		2. The plug is not plugged in properly	2. Plug the unit into a suitable wall outlet (on page 13)
		3. Ambient temperature is too high or low	3. Please charge in 4-40°C/ 40-104°F setting.
3	Weak suction	1. The Foam Filter is dirty	1. Clean and dry the Foam Filter (on page 14)
		2. Debris channel is clogged	2. Clean the channel with a washcloth (on page 14)
4	Strange sound from motor	1. The dirty water tank is full	1. Empty the dirty water tank (on page 14)
		2. Debris channel is clogged	2. Clean the channel with a washcloth (on page 14)
5	Foam overflowing	1. Added too much cleaning solution	1. Recommend to use Black+Decker cleaning tablet (Model#:BXCTXA030) as described in the manual.
		2. Absorbed foamy material	2. Clean the dirty water tank (on page 14). And avoid absorbing foamy material
6	No water coming out	1. The clean water tank is empty	1. Add water into clean water tank (on page 12)
		2. The clean water tank is not installed in place	2. Reassemble the clean water tank (on page 12)
7	Motor malfunction		Please contact customer service

**Note:**

If the above guide fails to resolve the problems, please contact us at 1-888-899-0146 for further support.

## TROUBLESHOOTING



ECO Mode








MAX Mode



Dry Vacuum Mode



Self-Cleaning Mode

NO.	Display Icons	Description	Solution
1	 Clean Water Tank Shortage Indicator	Always on after a few flashes	1. Add water into clean water tank 2. Reinstall the clean water tank (on page 12)
2	 Dirty Water Tank Full Indicator	Powers off after a few flashes	1. Empty the dirty water tank (on page 14) 2. Clean the Foam Filter (on page 14)
3	 Roller Tangled Indicator	Powers off after a few flashes	Clean the roller (on page 16)
4	 System Error Indicator	Powers off after a few flashes	Reinstall the dirty water tank first (on page 14), and if it cannot be solved, please contact the customer service at 1-888-899-0146
5	 Battery Level Indicator	Powers off after a few flashes	Please charge the appliance (on page 13)

## SPECIFICATIONS

Product	BXUVXA01
Base Charging Input	AC 120V~ 60Hz
Rated Voltage	DC 25.2V --- 2000mAh Lion
Rated Power	180W
Running Time	20mins
Charging Time	5hrs
Clean Water Tank Capacity	600ml
Dirty Water Tank Capacity	550ml

## BATTERY DISPOSAL INSTRUCTIONS

The chemical substances contained in the lithium-ion battery built in the appliance will pollute the environment, please remove it by professionals and hand it over to a professional battery recycling organization for centralized disposal before disposing.

1. The battery contains substances that are harmful to the environment and must be removed from the appliance before disposing.
2. The appliance must be powered off when the battery is removed.
3. Batteries, adapters, accessories, and packaging should be sorted for environmental recycling.

### **WARNING:**

1. Do not put battery into water or soil.
2. Do not expose the battery to fire or excessive temperature. Exposure to fire or temperature above 130°C/265°F may cause explosion.
3. If battery leaks fluid and comes in contact with skin and clothing, rinse immediately with water to avoid irritation and seek immediate medical attention.

## WARRANTY

### **TWO -YEAR LIMITED WARRANTY**

This warranty covers any defects in materials or workmanship of the enclosed product. Alton Industry Ltd. Group will repair or replace any defective materials due to craftsmanship of the product. This warranty does not cover any problem caused by misuse, abuse, accidents or acts of nature, such as floods or hurricanes. Consequential and incidental damages are not covered under this warranty. Coverage terminates if you sell or otherwise transfer the ownership. If you feel you have a defective product, please submit a copy of your receipt to the address below and call 1-888-899-0146 for instructions prior returning this item to the store or sending back to:

**Alton Industry Ltd. Group**

**643 Innovation Dr.**

**West Chicago, IL 60185**

We will inspect the product and contact you within 72 hours to give you the results of our inspection. We reserve the right to repair or replace the product at our discretion. However, we may replace the product with one of similar but not exact features. Parts and Service Information available call Alton Industry at 1-888-899-0146. This warranty gives you specific legal rights. You may have other rights which vary from state to state.

# CONTENIDO

SÍMBOLOS DE ALERTA DE SEGURIDAD.....	2
DESCRIPCIÓN GENERAL DEL PRODUCTO.....	2
INSTRUCCIONES DE SEGURIDAD IMPORTANTES.....	3
¿QUÉ HAY EN LA CAJA?.....	7
MONITOR.....	8
MONTAJE Y DESMONTAJE.....	8
FUNCIONAMIENTO DEL APARATO.....	11
MANTENIMIENTO DIARIO.....	14
SOLUCIONES A PROBLEMAS COMUNES.....	17
SOLUCIÓN DE PROBLEMAS.....	18
ESPECIFICACIONES.....	19
INSTRUCCIONES PARA LA ELIMINACIÓN DE LA BATERÍA.....	19
GARANTÍA.....	20

## DEFINICIONES: SÍMBOLOS Y PALABRAS DE ALERTA DE SEGURIDAD

Este manual de instrucciones utiliza los siguientes símbolos y palabras de alerta de seguridad para alertarle sobre situaciones peligrosas y el riesgo de lesiones personales o daños a la propiedad.

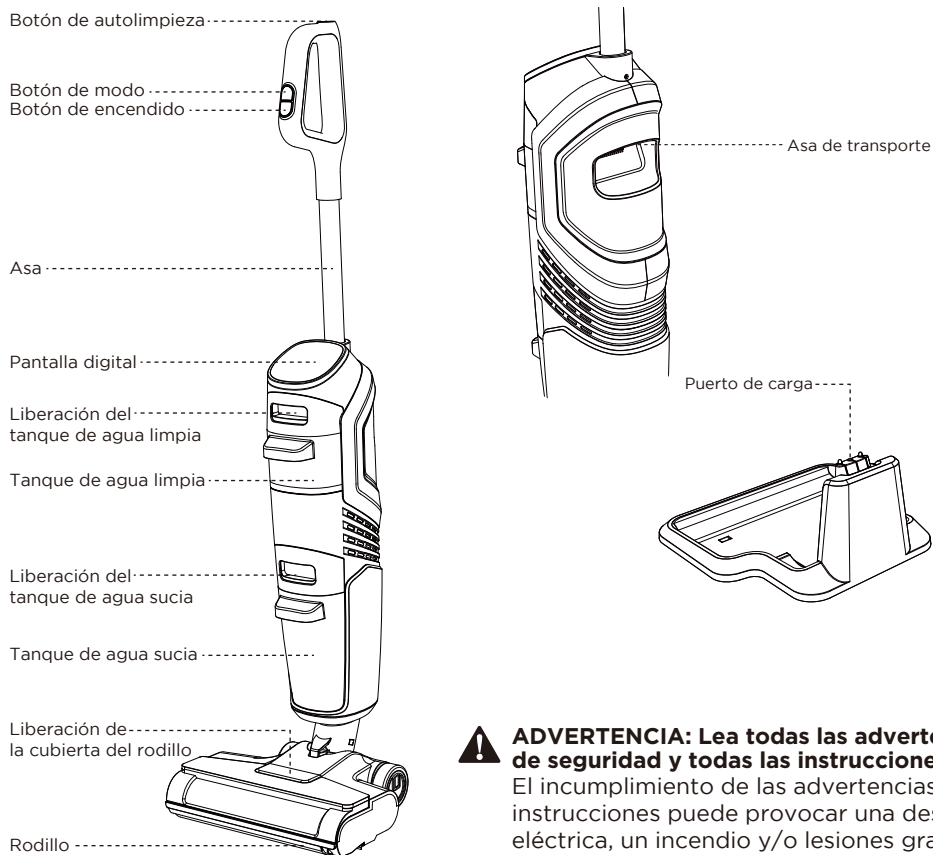
**⚠ PELIGRO:** Indica una situación de peligro inminente que, si no se evita, **provocaría la muerte o lesiones graves.**

**⚠ ADVERTENCIA:** Indica una situación potencialmente peligrosa que, si no se evita, **podría provocar la muerte o lesiones graves.**

**⚠ CAUTELA:** Indica una situación potencialmente peligrosa que, si no se evita, **podría provocar lesiones leves o moderadas.**

**AVISO:** indica una práctica **no relacionada con lesiones personales que**, si no se evita, **podría resultar en daños a la propiedad.**

## DESCRIPCIÓN GENERAL DEL PRODUCTO



**⚠ ADVERTENCIA:** Lea todas las advertencias de seguridad y todas las instrucciones. El incumplimiento de las advertencias e instrucciones puede provocar una descarga eléctrica, un incendio y/o lesiones graves.

**⚠ ADVERTENCIA:** Para reducir el riesgo de lesiones, lea el manual de instrucciones.

## INSTRUCCIONES DE SEGURIDAD IMPORTANTES

Lea todas las instrucciones antes de usar este aparato. Si el aparato se pasa a un tercero para su uso, adjunte este manual al aparato. Al usar un aparato eléctrico, se deben observar precauciones básicas, incluidas las siguientes:

### **ADVERTENCIA:**

#### **Para reducir el riesgo de incendio, descarga eléctrica o lesiones:**

1. Úselo solo en interiores. No utilice el aparato en entornos exteriores, comerciales o industriales.
2. No utilice el aparato como un juguete. Los niños deben ser supervisados para asegurarse de que no juegan con el aparato.
3. Utilícelo únicamente como se describe en este manual del usuario. Utilice únicamente accesorios recomendados o vendidos por el fabricante.
4. No cargue con un cable de alimentación o enchufe dañados. Tenga cuidado de no dañar el cable de alimentación o el enchufe. Deseche el aparato o devuélvalo a un centro de servicio autorizado para que lo examinen y/o reparen.
5. No lo use para recoger nada que esté ardiendo o humeando, como cigarrillos, fósforos o cenizas calientes.
6. No lo use para recoger objetos afilados, como clavos metálicos, pedazos de vidrio, clips de metal o alfileres.
7. No lo use para recoger materiales y productos químicos peligrosos, como solventes, limpiador de desagües, ácidos fuertes o álcalis fuertes, sustancias que pueden reaccionar químicamente con el agua.
8. No lo use para recoger partículas ultrafinas, como cal, cemento, aserrín, polvo de yeso o cenizas.
9. No lo use para recoger materiales inflamables o combustibles, como gasolina, tóner de impresora o fotocopiadora, ni lo use en áreas donde puedan estar presentes.
10. No utilice un paquete de baterías o electrodoméstico que estén dañados o modificados. Las baterías dañadas o modificadas pueden presentar un comportamiento impredecible que provoque incendios, explosiones o riesgo de lesiones.
11. No utilice el aparato en un espacio cerrado lleno de vapores emitidos por pintura a base de aceite, diluyente de pintura, algunas sustancias a prueba de polillas, polvo inflamable u otros vapores explosivos o tóxicos.
12. No lo use sin el filtro colocado.
13. No exponga un paquete de baterías o electrodoméstico al fuego o a una temperatura excesiva. La exposición al fuego o a temperaturas superiores a 130°C/265°F puede provocar una explosión.
14. No cargue el aparato al aire libre.



15. No manipule la base de carga, los enchufes de carga o el aparato con las manos mojadas.
16. No sumergir en agua o líquido. No coloque ni sumerja el aparato en agua estancada ni intente limpiar áreas inundadas. Úselo solo en superficies humedecidas por el proceso de limpieza.
17. No lo desenchufe tirando del cable de la base de carga. Para desenchufarlo, sujete el adaptador, no el cable.
18. No coloque ningún objeto en las aberturas. No lo use con ninguna abertura bloqueada.
19. Mantenga el cabello, la ropa suelta, los dedos y todas las partes del cuerpo alejadas de las aberturas y partes móviles del aparato y sus accesorios.
20. Tenga especial cuidado al limpiar las escaleras. Evite que el aparato se caiga.
21. Evite la activación involuntaria. Asegúrese de que el aparato esté apagado antes de recogerlo o transportarlo. Llevar el aparato con el dedo en el botón.
22. Recargue solo con el adaptador especificado por BLACK+DECKER. El uso de otros tipos de adaptadores puede provocar un incendio.
23. Apague siempre el aparato antes de realizar ajustes, cambiar accesorios o guardar el aparato.
24. Utilice el aparato únicamente con paquetes de baterías BLACK+DECKER específicamente designados. El uso de cualquier otro paquete de baterías puede causar riesgo de lesiones e incendios.
25. En condiciones abusivas, se puede expulsar líquido de la batería; Evite el contacto. Si se produce un contacto accidental, lávese con agua. Si el líquido entra en contacto con los ojos, busque ayuda médica. El líquido expulsado de la batería puede causar irritación o quemaduras.
26. Siga todas las instrucciones de carga y no cargue la batería o el aparato fuera del rango de temperatura de 4-40°C / 40-104°F. La carga incorrecta o a temperaturas fuera de este rango pueden dañar la batería y aumentar el riesgo de incendio.
27. Haga que el servicio sea realizado por una persona de reparación calificada utilizando solo piezas de repuesto idénticas. Esto garantizará que se mantenga la seguridad del producto.
28. No modifique ni intente reparar el aparato, excepto como se indica en las instrucciones de uso y cuidado.
29. Apague siempre el aparato antes de limpiarlo y repararlo.

30. Deje de usarlo inmediatamente si el aparato se sobrecalienta, hace ruidos inusuales, produce olores inusuales, realiza poca succión o pierde electricidad.
31. Desenchufe el adaptador de la toma de corriente cuando no esté en uso, antes de limpiar, mantener o reparar el aparato.
32. Almacene adecuadamente en interiores, en un lugar seco, después de su uso.
33. Mantenga el cable alejado de superficies calientes.
34. Limpie siempre el tanque de agua sucia después de cada uso para evitar posibles obstrucciones, que pueden provocar una baja potencia de succión, sobrecalentamiento del motor o reducir la vida útil del aparato.
35. No tire ni transporte la base de carga por el cable, no use el cable como manija, no cierre la puerta sobre el cable ni tire del cable alrededor de bordes o esquinas afiladas.
36. No incinere el aparato aunque esté gravemente dañado. Las baterías explotarán.
37. No transporte el aparato mientras esté en uso.
38. La película de plástico puede ser peligrosa. Para evitar el peligro de asfixia, manténgalo alejado de los bebés y los niños.
39. Cuando la batería no esté en uso, manténgala alejada de otros objetos metálicos, como clips, monedas, llaves, clavos, tornillos u otros objetos metálicos pequeños, que puedan hacer una conexión de un terminal a otro. Un cortocircuito en los terminales de la batería puede provocar quemaduras o un incendio.
40. Si el aparato no funciona como debería, se ha caído, dañado, dejado a la intemperie o caído al agua, devuélvalo a un centro de servicio.
41. Conéctelo siempre a una toma de corriente adecuada.
42. No encienda su aparato hasta que esté familiarizado con todas las instrucciones y procedimientos operativos.
43. La batería debe retirarse del aparato antes de desecharla.
44. La base de carga es solo para BLACK+DECKER BXUVXA01.
45. No agregue otros líquidos, como alcohol, desinfectante, etc.
46. No agregue materiales que sean propensos a la formación de espuma.

## RANGO DE USO

1. El aparato debe usarse en pisos duros y alfombras interiores, como vinilo, baldosas, madera sellada, alfombras de pelo corto, etc. Es posible que el uso en una superficie rugosa no obtenga el mejor rendimiento.
2. Mantenga el aparato alejado de fuentes de calor, como chimeneas o calentadores, para evitar la deformación de la carcasa.
3. No lo use para recoger líquidos inflamables o combustibles, partículas ultrafinas, objetos afilados, materiales peligrosos, productos químicos o

## ACERCA DE LAS SOLUCIONES DE LIMPIEZA

1. Utilice este aparato SOLAMENTE como se describe en el manual. Se recomienda su uso con pastillas de limpieza BLACK+DECKER.
2. El llenado excesivo de la solución de limpieza líquida en el motor puede dañar el aparato.
3. El agua sucia y la eliminación de tabletas deben cumplir con los requisitos ambientales locales normativa.

**⚠️ ADVERTENCIA:** Mantener fuera del alcance de los niños. Si alguna solución entra en contacto con los ojos, enjuáguelos inmediatamente con agua limpia. Si algún producto se ingiere por accidente, busque atención médica de inmediato.

## ACERCA DEL APARATO

1. Tenga especial cuidado al limpiar las escaleras.
2. Asegúrese de que el botón de encendido esté apagado antes de levantar o transportar el aparato. No coloque el aparato plano ni lo incline demasiado para evitar que entre agua sucia en el motor.
3. Para evitar que se dispare accidentalmente, guarde el aparato en la base de carga.
4. Instale siempre correctamente el tanque de agua sucia y el tanque de agua limpia antes de usarlo.

**⚠️ ADVERTENCIA:** No modifique ni intente reparar el aparato, excepto como se indica en las instrucciones de uso y cuidado.

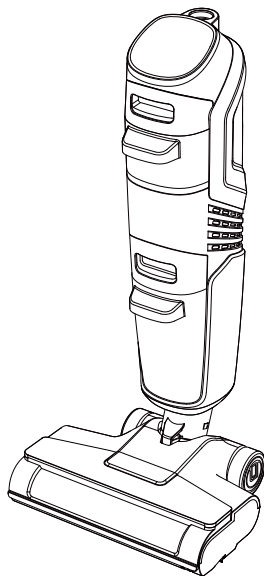
**⚠️ ADVERTENCIA:** Cargue el aparato con el adaptador. Voltaje de entrada: 120V. Ambos altos y los voltajes bajos pueden dañar el adaptador, el aparato o incluso causar peligro al usuario.

**⚠️ ADVERTENCIA:** No permita que el aparato, la base de carga o el adaptador se mojen para evitar el riesgo de incendio o lesiones causadas por un cortocircuito.

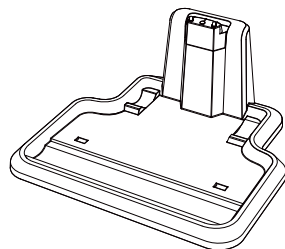
## CONTENIDO DE LA CAJA



**Asa**



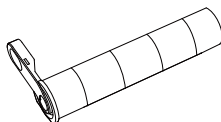
**Cuerpo**



**Base de carga**

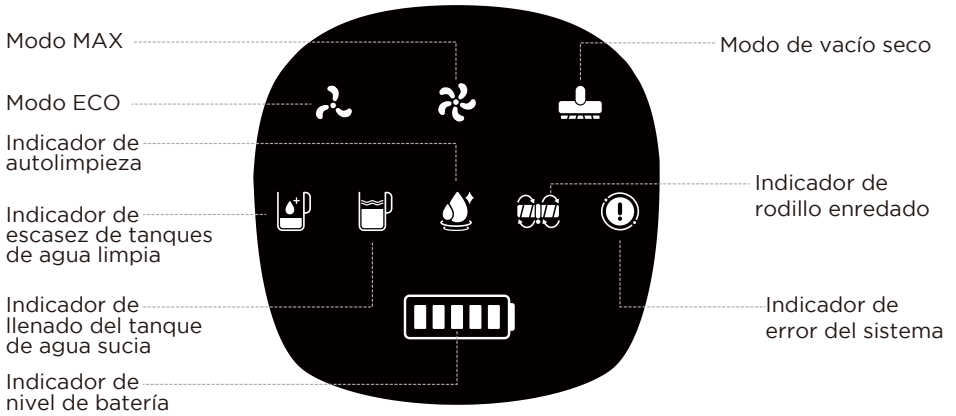


**Filtro de espuma**  
Modelo: BXUVXAC01

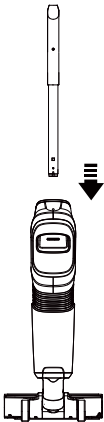


**Rodillo blando**  
Modelo: BXUVXAR01

## MONITOR

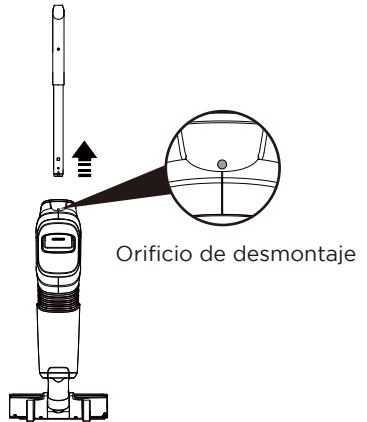


## MONTAJE Y DESMONTAJE



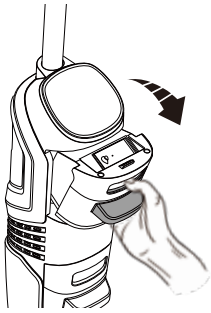
### Ensamblar la manija

Para montar el mango, insértelo en el aparato hasta que escuche un clic.



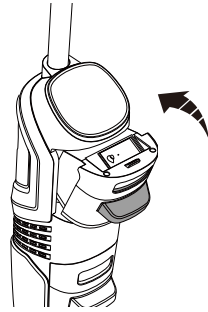
### Desmontar la manija

Para desmontar el mango, inserte una herramienta (no incluida) en el orificio de desmontaje en la parte posterior del aparato, presione firmemente contra el tapón y tire del mango hacia arriba para completar el desmontaje.



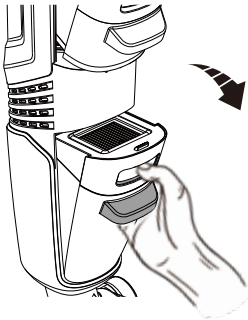
### **Desmontar el tanque de agua limpia**

Para desmontar el tanque de agua limpia, presione el botón de liberación del tanque de agua limpia para sacarlo del aparato.



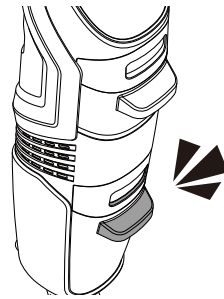
### **Ensamble el tanque de agua limpia**

Para ensamblar el tanque de agua limpia, alinee la parte inferior del tanque de agua limpia con la ranura y empuje el tanque hasta que "encaje" en su lugar.



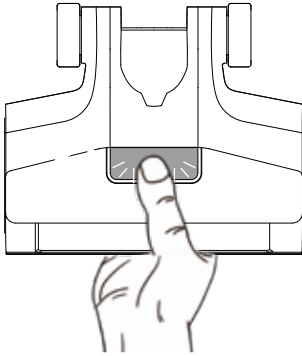
### **Desmontar el tanque de agua sucia**

Para desmontar el tanque de agua sucia, presione el botón de liberación del tanque de agua sucia para sacarlo del aparato.



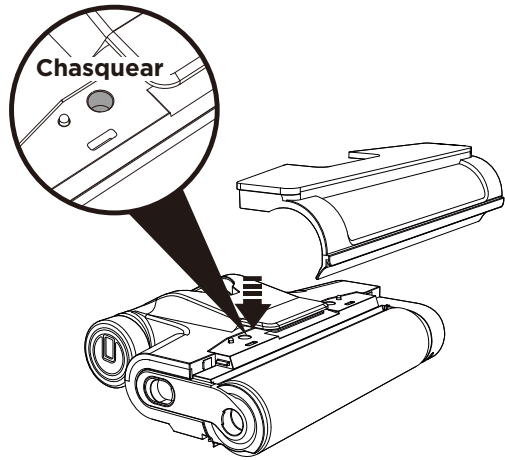
### **Montar el tanque de agua sucia**

Para ensamblar el tanque de agua sucia, inserte primero la parte inferior del tanque, luego gire la parte superior hacia el aparato hasta que haga "clic" en su lugar.



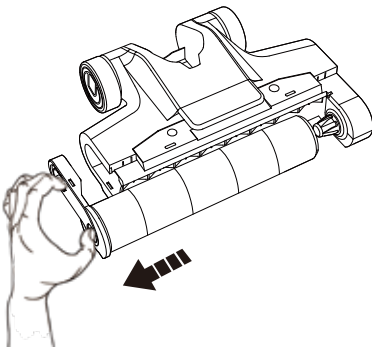
### Desmontar la cubierta del rodillo

Presione el centro del botón de liberación de la cubierta del rodillo para quitarlo.



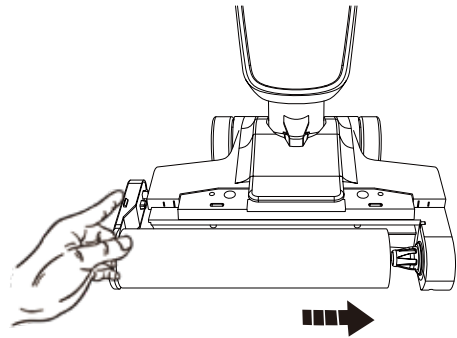
### Montaje de la cubierta del rodillo

Para ensamblar la cubierta del rodillo, primero alinee la cubierta del rodillo con la posición de broche, presione hacia abajo con ambos manos hasta que "encaje" en su lugar.



### Desmontar el rodillo

Para quitar el rodillo, tire hacia arriba del mango izquierdo del rodillo con los dedos para quitarlo.



### Montaje del rodillo

Para ensamblar el rodillo, apriete el mango del rodillo con la mano, alinee primero el lado derecho del rodillo con la cubierta del extremo derecho, luego coloque el extremo izquierdo del mango del rodillo en la ranura, hasta que haga "clic" en su lugar.

## FUNCIONAMIENTO DEL APARATO

### —Modos de vacío—



#### Modo ECO

Para la limpieza diaria.



#### Modo MAX

Para una limpieza sucia y pesada.

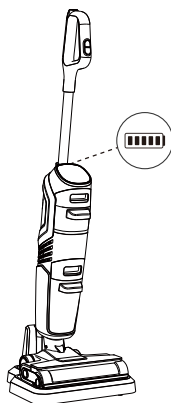


#### Modo de vacío seco

Para la limpieza de alfombras.

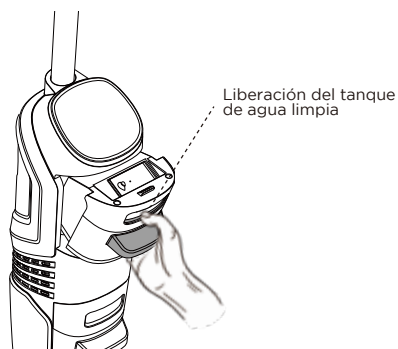
### —Uso del aparato—

1



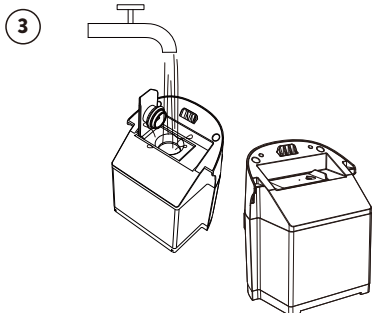
1. Antes de usarlo, cargue el aparato durante unas 5 horas (en la página 13).

2

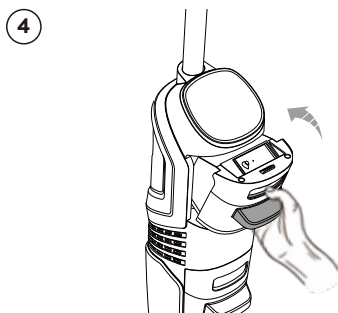


2. Para desmontar el tanque de agua limpia, presione el botón de liberación del tanque de agua limpia para sacarlo del aparato.

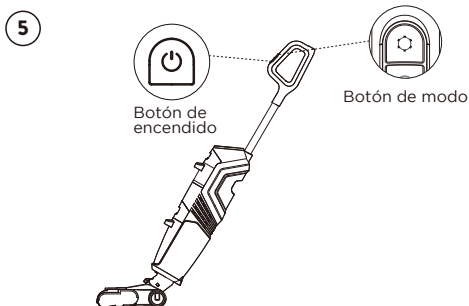




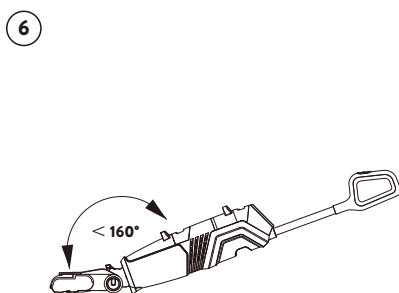
3. Llene el tanque de agua limpia con agua. Cuando se requiere una limpieza profunda, se recomienda limpiar con pastillas limpiadoras BLACK+DECKER, Modelo #: BXCTXA030 (No incluidas)



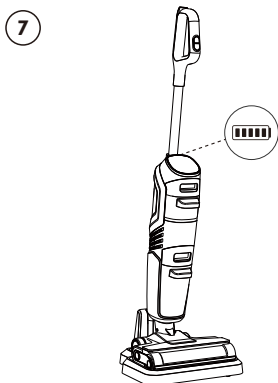
4. Para ensamblar el tanque de agua limpia, alinee la parte inferior del tanque de agua limpia con la ranura y empuje el tanque hasta que haga "clíc" en su lugar.



5. Presione el botón de encendido para encenderlo. Cambie al modo ECO/MAX/ Vacio seco según el tipo de suelo pulsando el botón de modo.



6. Incline el ángulo correctamente. No recline el aparato más de  $160^\circ$  para protegerlo contra fugas de agua.



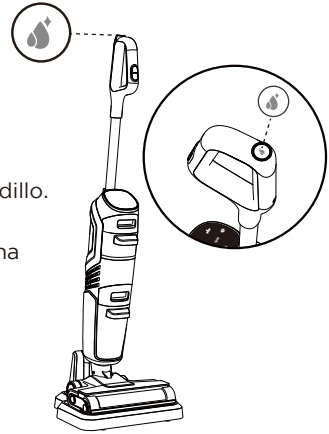
7. Coloque el aparato en la base de carga verticalmente después de usarlo para cargarlo. A continuación, inicie el proceso de limpieza (que se encuentra en la página siguiente).

**Nota:**

1. No aspire líquido espumoso.
2. No agregue soluciones de limpieza que sean propensas a la formación de espuma.
3. No incline la máquina (menos de  $45^\circ$ ) hacia un lado ni la coloque plana para evitar la entrada de agua sucia en el motor.
4. No llene con agua caliente el tanque de agua limpia.
5. No empape ni enjuague el aparato ni la base de carga con agua.

## —Autolimpieza—

1. Coloque el aparato en la base de carga.
2. Asegúrese de que el agua en el tanque de agua limpia exceda la mitad.
3. Asegúrese de que el tanque de agua sucia esté limpio (consulte la página 14).
4. Presione el botón de autolimpieza para limpiar el rodillo. Tarda alrededor de 90 segundos.
5. El proceso de autolimpieza se detendrá si se presiona el botón de autolimpieza durante la limpieza.



### Nota:

1. Asegúrese de que la base de carga esté enchufada.

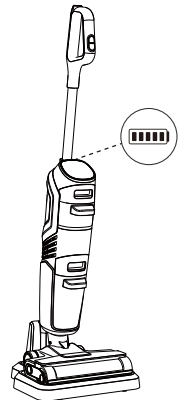
## —Carga de electrodomésticos—

Asegúrese de que el aparato esté completamente cargado antes de usarlo.

1. Para cargar el aparato, colóquelo en la base de carga verticalmente.
2. Enchufe el adaptador en una toma de corriente adecuada. El indicador de batería parpadeará durante la carga.
3. Para evitar riesgos de tropiezos, coloque el aparato en la base de carga cerca de una pared durante la carga.
4. Para obtener el máximo tiempo de funcionamiento, cargue el aparato durante 5 horas.

### **⚠ ADVERTENCIA:**

1. Cargue el aparato únicamente con la base de carga suministrada por BLACK+DECKER..
2. Durante largos períodos de inactividad, el aparato debe cargarse una vez cada 3 meses para un rendimiento óptimo.
3. Almacene en el interior en un área seca y fresca. No exponga el aparato a la luz solar ni a ambientes helados.



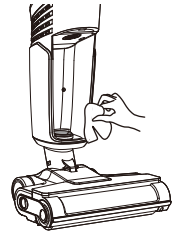
## MANTENIMIENTO DIARIO

**⚠ ADVERTENCIA:** Apague la unidad y retírela de la base de carga antes de realizar cualquier mantenimiento.

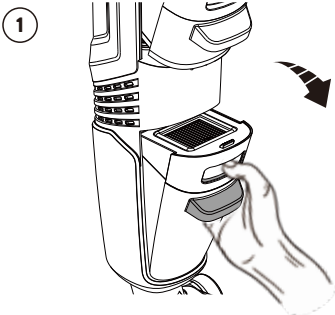
Para un rendimiento óptimo y para evitar olores, limpie y seque siempre el tanque de agua sucia, el filtro, el rodillo, la tapa del rodillo completamente después de cada uso.

### —Canal de escombros—

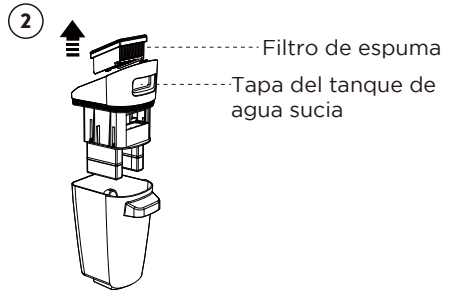
Después de cada uso, retire el depósito de agua sucia y limpie ligeramente la suciedad del interior del tubo y del sensor con un paño.



### —Limpieza del tanque de agua sucia y el filtro—



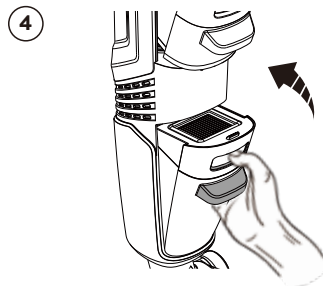
Presione el botón de liberación del tanque de agua sucia para quitar el tanque de agua sucia.



Retire el filtro de la tapa del tanque de agua sucia, tire de la tapa del tanque de agua sucia hacia arriba y vierta el agua sucia.

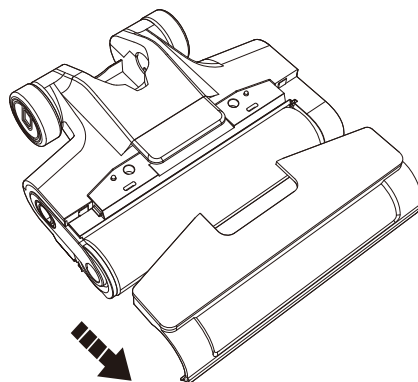
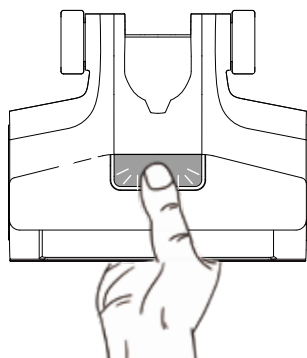


Enjuague la tapa del tanque de agua sucia y el tanque de agua sucia con agua, y use la herramienta de limpieza (no incluida) para limpiar el tanque de agua sucia.

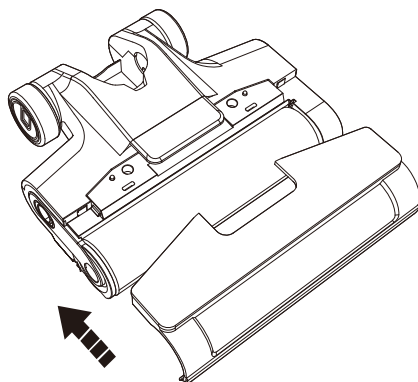
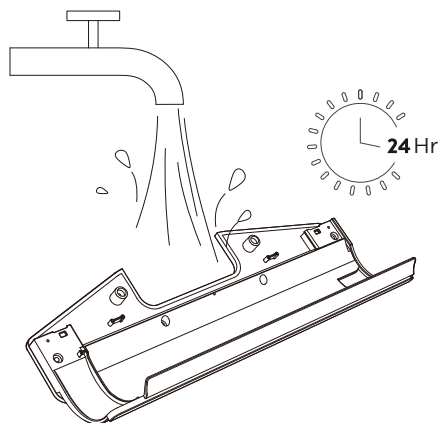


Asegúrese de que el tanque de agua sucia esté limpio y completamente seco, móntelo en su lugar. (Instrucciones en la página 9)

## — Limpieza de la cubierta del rodillo —

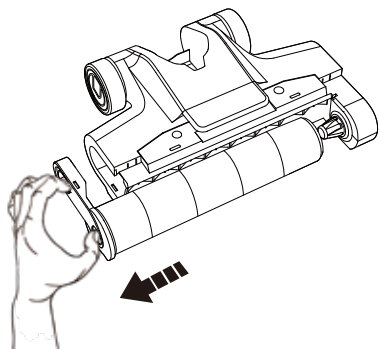


Presione el desbloqueo de la cubierta del rodillo para quitar la cubierta del rodillo.

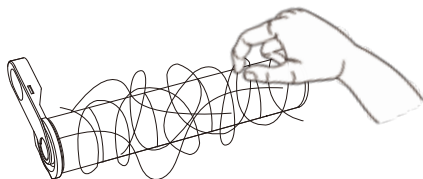


Enjuague la cubierta del rodillo con agua limpia y espere a que se seque por completo antes de ensamblar.

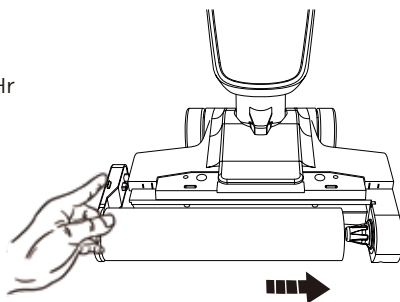
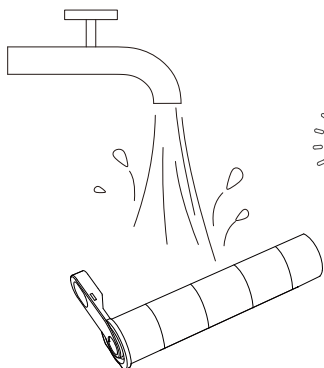
## — Limpieza del rodillo —



Presione el desbloqueo del rodillo, retire el rodillo.



Limpie el enredo a mano.



Enjuague el rodillo con agua limpia y espere a que se seque por completo antes de ensamblarlo.

## SOLUCIONES A PROBLEMAS COMUNES






N°.	Problema	Posible causa	Solución
1	El aparato no se enciende o no funciona.	1. Batería baja	1. Cargue antes de usar (en la página 13)
		2. Tanque de agua sucia lleno	2. Vacíe el depósito de agua sucia (en la página 14)
		3. El rodillo está enredado	3. Limpie el rodillo (en la página 16)
		4. El aparato se sobrecalienta	4. Reinicielo después de dejarlo enfriarse alrededor de media hora.
2	El aparato no se carga	1. El aparato no está colocado correctamente en la base de carga	1. Coloque el dispositivo en la base de carga correctamente (en la página 12)
		2. El enchufe no está enchufado correctamente	2. Enchufe la unidad en una toma de corriente adecuada (en la página 13)
		3. La temperatura ambiente es demasiado alta o baja	3. Cargue en la configuración de 4-40 ° C / 40-104 ° F.
3	Succión débil	1. El filtro de espuma está sucio	1. Limpie y seque el filtro de espuma (en la página 14)
		2. El canal de escombros está obstruido	2. Limpie el canal con un paño (en la página 14)
4	Sonido extraño del motor	1. El tanque de agua sucia está lleno	1. Vacíe el depósito de agua sucia (en la página 14)
		2. El canal de escombros está obstruido	2. Limpie el canal con un paño (en la página 14)
5	Espuma Desbordante	1. Se agregó demasiada solución de limpieza	1. Se recomienda utilizar la tableta de limpieza Black+Decker (Modelo#:BXCTXA030) como se describe en el manual.
		2. Material espumoso absorbido	2. Limpie el depósito de agua sucia (en la página 14). Y evite absorber material espumoso
6	No sale agua	1. El tanque de agua limpia está vacío	1. Agregue agua al tanque de agua limpia (en la página 12)
		2. El tanque de agua limpia no está instalado en su lugar	2. Vuelva a montar el depósito de agua limpia (en la página 12)
7	Mal funcionamiento del motor		Póngase en contacto con el servicio de atención al cliente

### **Nota:**

Si la guía anterior no resuelve los problemas, comuníquese con nosotros al 1-888-899-0146 para obtener más ayuda.

## SOLUCIÓN DE PROBLEMAS

 Modo ECO
  Modo MAX
  Modo de vacío seco
  Modo de autolimpieza

Nº.	Iconos de visualización	Descripción	Solución
1	 <p>Indicador de escasez del tanque de agua limpia</p>	Siempre encendido después de unos pocos destellos	<ol style="list-style-type: none"> <li>1. Agregue agua al tanque de agua limpia</li> <li>2. Vuelva a instalar el tanque de agua limpia (en la página 12)</li> </ol>
2	 <p>Indicador de llenado del tanque de agua sucia</p>	Se apaga después de unos pocos destellos	<ol style="list-style-type: none"> <li>1. Vacíe el depósito de agua sucia (en la página 14)</li> <li>2. Limpie el filtro de espuma (en la página 14)</li> </ol>
3	 <p>Indicador de rodillo enredado</p>	Se apaga después de unos pocos destellos	Limpie el rodillo (en la página 16)
4	 <p>Indicador de error del sistema</p>	Se apaga después de unos pocos destellos	Vuelva a instalar primero el tanque de agua sucia (en la página 14) y, si no se puede resolver, comuníquese con el servicio de atención al cliente al 1-888-899-0146
5	 <p>Indicador de nivel de batería</p>	Se apaga después de unos pocos destellos	Cargue el aparato (en la página 13)

## ESPECIFICACIONES

Producto	BXUVXA01
Entrada de carga base	AC 120V~ 60Hz
Voltaje nominal	DC 25.2V $\equiv$ 2000mAh Lion
Potencia nominal	180W
Tiempo de funcionamiento	20mins
Tiempo de carga	5hrs
Capacidad del tanque de agua limpia	600ml
Capacidad del tanque de agua sucia	550ml

## INSTRUCCIONES PARA LA ELIMINACIÓN DE LA BATERÍA

Las sustancias químicas contenidas en la batería de iones de litio incorporada en el aparato contaminarán el medio ambiente, retírelas por profesionales y entréguelas a una organización profesional de reciclaje de baterías para su eliminación centralizada antes de desecharlas.

1. La batería contiene sustancias nocivas para el medio ambiente y debe retirarse del aparato antes de desecharla.
2. El aparato debe estar apagado cuando se retira la batería.
3. Las baterías, los adaptadores, los accesorios y los embalajes deben clasificarse para su reciclaje ambiental.

### ADVERTENCIA:

1. No coloque la batería en agua o tierra.
2. No exponga la batería al fuego ni a temperaturas excesivas. La exposición al fuego o a temperaturas superiores a 130 °C/265 °F puede provocar una explosión.
3. Si la batería pierde líquido y entra en contacto con la piel y la ropa, enjuague inmediatamente con agua para evitar irritaciones y busque atención médica inmediata.



## **GARANTÍA**

### **Garantía Limitada de 2 Años**

Esta garantía cubre cualquier defecto de material o proceso del producto adjunto. Alton Industry Ltd. Group reparará o reemplazará cualquier material defectuoso debido al proceso del producto. Esta garantía no cubre ningún problema causado por uso indebido, abuso, accidentes o desastres naturales, como inundaciones o huracanes. Los daños consecuentes e incidentales no están cubiertos por esta garantía. Si vende la propiedad o transfíerela de otra manera, la cobertura terminará. Si cree que tiene un producto defectuoso, envíe una copia de su recibo a la dirección a continuación y llame al 1-888-899-0146 para recibir instrucciones antes de devolver este artículo a la tienda o enviarlo a:

**Alton Industry Ltd. Group**

**643 Innovation Dr.**

**West Chicago, IL 60185**

Inspeccionaremos el producto y nos pondremos en contacto con usted dentro de las 72 horas para proporcionarle los resultados de nuestra inspección. Nos reservamos el derecho de reparar o reemplazar el producto a nuestra discreción. Sin embargo, podemos reemplazar el producto con funciones similares pero no exactamente las mismas. Para obtener información sobre piezas y servicios, llame a Alton Industry al 1-888-899-0146. Esta garantía le otorga derechos legales específicos. Puede tener otros derechos que varían de un estado a otro.



Recommend to Use with Black+Decker Cleaning Tablet  
BXCTXA0 Series

Recomendado para usar con la tableta de limpieza  
Black+Decker Serie BXCTXA0

Purchase Entrance  
Compra Entrada



Manufactured by/Fabricado por:  
Alton Industry Ltd. Group  
643 Innovation Drive West Chicago, IL 60185

©2023 The Black & Decker Corporation  
BLACK+DECKER and the BLACK+DECKER Logo are registered  
trademarks of The Black & Decker Corporation and are used under  
license.  
BLACK+DECKER y el logotipo de BLACK+DECKER son marcas  
registradas de The Black & Decker Corporation, usados bajo licencia.