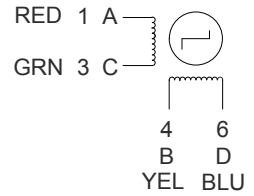
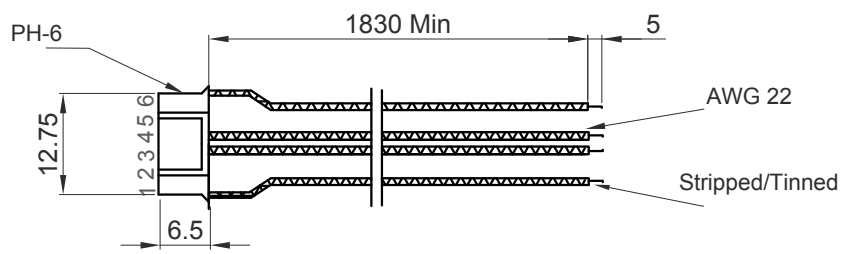
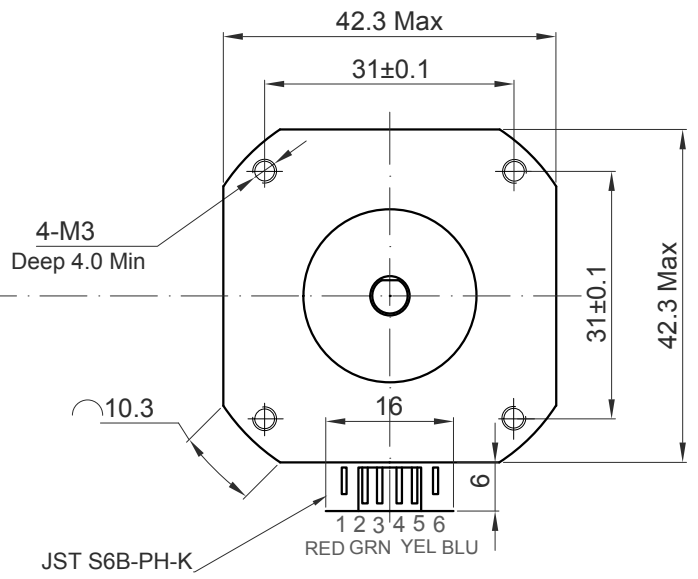
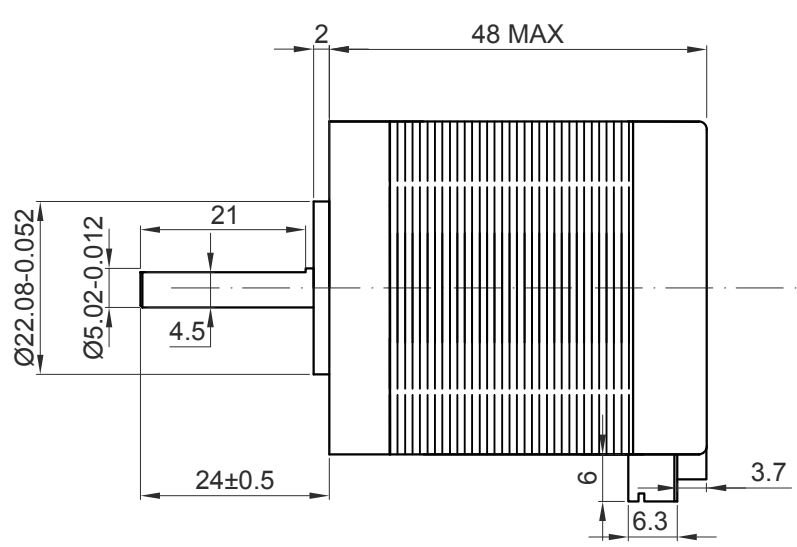


Rev.	Description	Date
02	Release for production	7/21/2015



NO.	Item	Specification	NO.	Item	Specification
1	Step Angle	1.8°±5%	7	Holding Torque	5.5 Kg.cm
2	Rated Voltage	4.2 V	8	Operating Temperature	110°C Max
3	Rated Current	1.5 A	9	Ambient Temperature	-20~40 °C
4	Resistance Per Phase	2.8 Ω ±10%			
5	Inductance Per Phase	4.8 mH ±20%			
6	Number of Phase	2			

Drawn	Harry	09/25/2012	Kysan Electronics www.kysanelectronics.com		
Checked	Sara	09/25/2012			
Eng Appr.					
Mfg Appr.					
Q.A.					
SKU	1124140		Size : A4	Weight(Kg): 0.35	Unit: mm
			Scale: 1:1		Sheet 1 of 1