

# HornBlasters Dual Compressor Upgrade Kit Instructions

Thank you for your purchase! This page serves to guide you through installing the dual compressor upgrade. The dual compressor upgrade changes a few aspects of your kit.

What changes?

- The black-box pressure switch will no longer be used. A smaller bottle-cap looking pressure switch with two prongs/leads will be used instead. This type of pressure switch is used to trigger two relays on/off as needed.
- A 40A relay is included for each compressor. These will be used in conjunction with the pressure switch to turn the compressors on and off.
- The tank assembly will differ due to the second compressor using one of the ports on the tank.
- You will run TWO leads of 10-gauge wire from your battery back to each 40A relay. This means you will also use two fuse holders.

The dual compressor add-on will decrease the fill time for your air tank significantly. In most cases, you can plumb the air compressors into each end of the tank. Thread the compressor leader hose into both endcaps of the tank using the supplied reducer bushings. Alternatively, a run tee can be used to plumb both compressors into one port of the tank.

5-gallon kits and up will not require a tee fitting for the components included in the kit. You will remove the 1/2" plug from your tank and use a reducer to adapt the compressor into the air tank.

2-gallon horn kits will include a run tee for either the two compressors or the tank components. Two compressors on a 2-gallon tank will not leave you with enough ports for the rest of the components. A tee is used to split a port off two ways, giving you the extra port needed for the desired component.

Wiring the pressure switch for the pair of compressors can be a bit tricky. The guide on the back of this page shows how the pressure switch is wired up to the relays to power the compressors on and off.

# Included Components

The Dual Compressor upgrade comes with the following components:

**2<sup>nd</sup> Air Compressor** (model will match the one included with your kit originally)



## Bottle-cap Style Pressure Switch + Reducer

For 2-gallon Kits

For 5-gallon Kits



## 2x 40A Relays

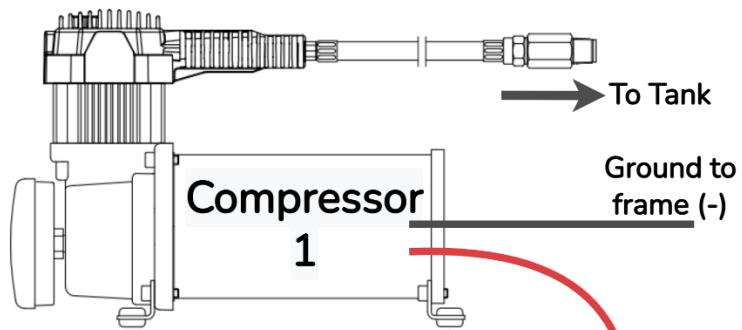


## 2x Compressor Wiring Kit



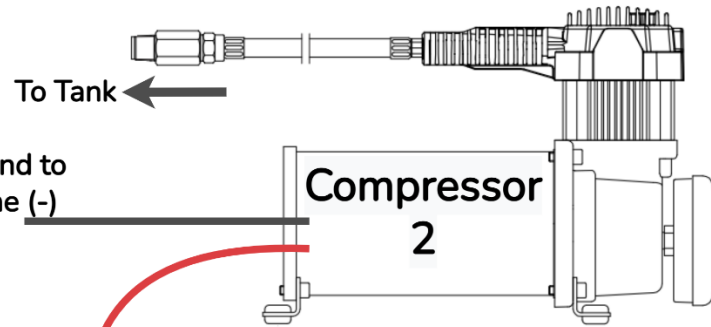
## Run Tee (2-gallon Kits only)





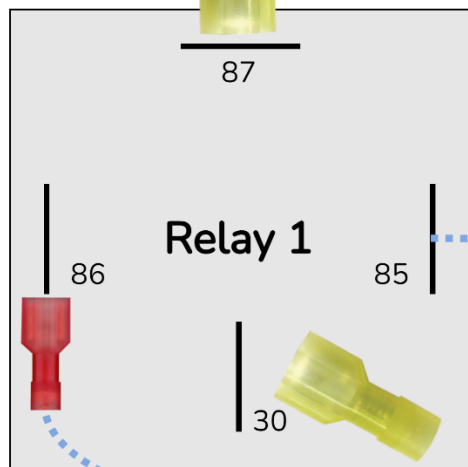
— = 10/8 Gauge Wire

⋯ = 18 Gauge Wire

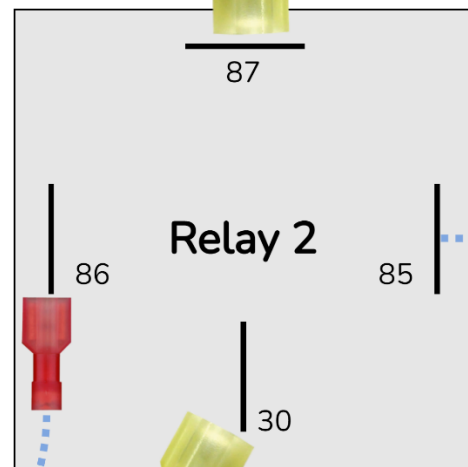


**Compressor Fuse Size**

380C - 30A
400C - 40A
444C - 30A
480C - 30A
485C - 30A
HB-2 - 30A
AC-1NM - 30A
AC-3Q - 30A



Ground to frame (-)



Ground to frame (-)



To key-power source or upfitter switch

