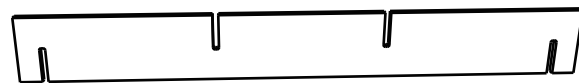


ALEX 5 DRAWER  
**FOUNDATION DIVIDER**

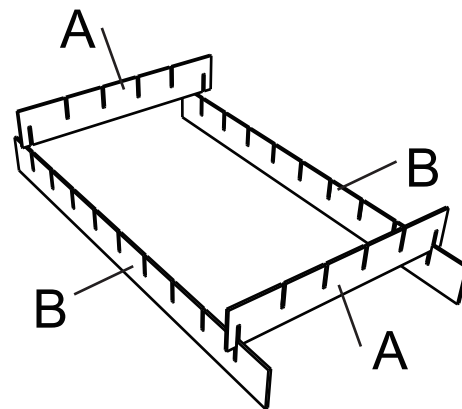
A x 9



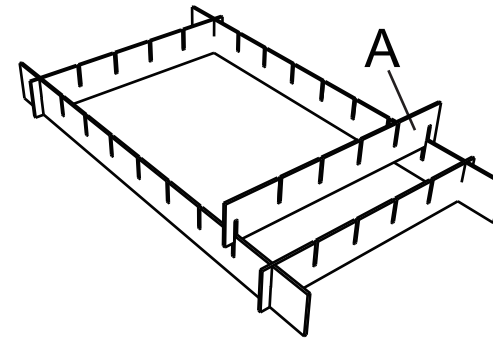
B x 6



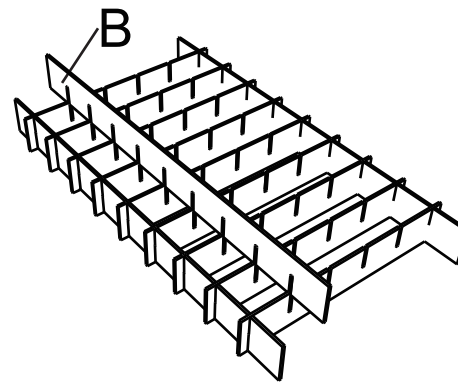
1



2



3



4

