



Quickie SR45™ November 2016

EIZ9

Mark For: Date: _____ Dealer Acct #: _____ Dealer: _____ Dealer Contact: _____ Dealer Address: _____ Dealer City: _____ PR: _____ PC: _____ Dealer Phone: () _____ Fax: () _____ Confirmation Email: _____ Confirm Via: <input type="checkbox"/> Fax <input type="checkbox"/> Email	Submitting for: <input type="checkbox"/> Quote <input type="checkbox"/> Order PO#: _____ <hr/> <p style="text-align: center;">ADDITIONAL SHIPPING INFORMATION</p> Ship To: _____ Attention: _____ Address: _____ Address: _____ Ship To City: _____ Prov: _____ Postal: _____ Ship To Phone: () _____ Fax: () _____
-------------------------------------------------------------------------------------------------------------------------------------------------------------------------------------------------------------------------------------------------------------------------------------------------------------------------------	----------------------------------------------------------------------------------------------------------------------------------------------------------------------------------------------------------------------------------------------------------------------------------------------------------------------------------------------------------------

1. FRAME

Base Model			
<input type="checkbox"/>	194WM77	Quickie SR45 <i>For 14" sizes use E1233</i>	\$2,937.00

Frame Options			
<input type="checkbox"/>	194FO3	Standard Base and Seat Frame <i>Maximum Weight: 265 lbs.</i>	NC

Transit			
<input type="checkbox"/>	194TO38	Transit Option	\$352.00

Tilt Release			
<input type="checkbox"/>	194TT12	Backrest Dual Trigger Cable Release	NC
<input type="checkbox"/>	194TT13	Foot Tilt Release <i>Mounted on Right Side of frame</i>	\$53.00

Tilt Angle			
<input type="checkbox"/>	194TA2	0° to 45°	NC



Quickie SR45 shown with the JAY© J3™ backrest and JAY© 3™ cushion.



Quickie SR45 features IRIS™ (Intelligent Rotation In-Space) technology.

2. SIZE / SEATING

Frame Width

<input type="checkbox"/>	194W5	14"	NC
<input type="checkbox"/>	194W6	15"	NC
<input type="checkbox"/>	194W7	16"	NC
<input type="checkbox"/>	194W8	17"	NC
<input type="checkbox"/>	194W9	18"	NC
<input type="checkbox"/>	194W10	19"	\$268.00
<input type="checkbox"/>	194W11	20"	\$268.00

Seat Type

<input type="checkbox"/>	194ST35	Standard Seat Pan	\$152.00
<input type="checkbox"/>	194ST7	Omit Seat Pan	NC

JAY Cushions (Optional)

To order any JAY cushions on-chair, please see the JAY price list.

Cushion name or part# must be filled out with desired width and depth

<input type="checkbox"/>	194JC20	JAY Bundled Cushion	Price List
		Cushion Name or Part #	
		Width: _____	Depth: _____

Frame Depth Set Up (Fill out either A or B)

A. Setup By QUICKIE

A. Desired Seat Depth

See **Figure 1** for pricing, **Figure 2**, Dimension A for measurement

<input type="checkbox"/>	194SD7	14"	NC
<input type="checkbox"/>	194SD8	15"	NC
<input type="checkbox"/>	194SD9	16"	NC
<input type="checkbox"/>	194SD10	17"	NC
<input type="checkbox"/>	194SD11	18"	NC
<input type="checkbox"/>	194SD12	19"	\$268.00
<input type="checkbox"/>	194SD13	20"	\$268.00
<input type="checkbox"/>	194SD14	21"	\$268.00
<input type="checkbox"/>	194SD33	22"	\$268.00

A. User's Seated Height

See **Figure 2**, Dimension B. Distance from seat surface to top of the head.

<input type="checkbox"/>	194SJ01	Less than 37"	NC
<input type="checkbox"/>	194SJ02	37" or Greater	NC

B. Setup By DEPTH

B. Frame Depth Range

<input type="checkbox"/>	194FL91	Short Seat Frame 14"-18"	NC
<input type="checkbox"/>	194FL92	Medium Seat Frame 16"-20"	NC
<input type="checkbox"/>	194FL93	Long Seat Frame 18"-22"	NC

B. Frame Depth

<input type="checkbox"/>	194FD5	14" recommend short seat frame	NC
<input type="checkbox"/>	194FD6	15" recommend short seat frame	NC
<input type="checkbox"/>	194FD7	16" recommend short seat frame	NC
<input type="checkbox"/>	194FD8	17" recommend short seat frame	NC
<input type="checkbox"/>	194FD9	18" recommend medium seat frame	NC
<input type="checkbox"/>	194FD10	19" recommend medium seat frame	NC
<input type="checkbox"/>	194FD11	20" recommend long seat frame	NC
<input type="checkbox"/>	194FD16	21" recommend long seat frame	NC
<input type="checkbox"/>	194FD17	22" recommend long seat frame	NC

OR

A. Top of Cushion to Seat Rail

See **FIGURE 3** Dimensions A & B. This measurement is taken from the top of the cushion to the upper surface of the seat rail. If the cushion has a wedged shape and/or has significant lateral pelvic contour, then determine the height of the cushion at the point where the ischial tuberosities would contact (not immerse) the cushion surface.

<input type="checkbox"/>	194CJ04	2 1/2" or Greater	NC
<input type="checkbox"/>	194CJ05	Less than 2 1/2"	NC
<input type="checkbox"/>	194CJ03	Below Seat Rail	NC

Figure 2

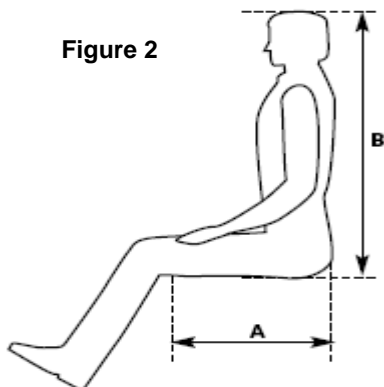
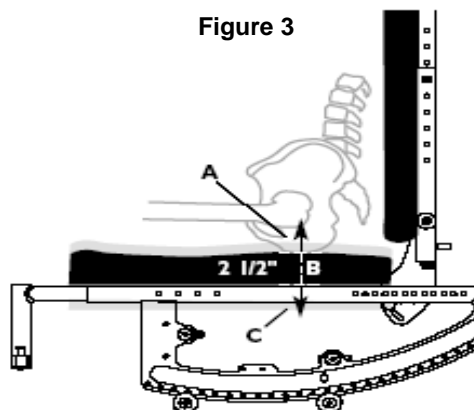


Figure 3



3. CASTERS / SEAT HEIGHT

Rear Wheel Size	CASTER SIZE					
	□ 4	□ 5	□ 6	□ 8x1	□ 8x1.5	□ 8x2
□ 12		□ 16.0	□ 16.0			
		□ 16.5	□ 16.5			
		□ 17.0	□ 17.0			
		□ 17.5	□ 17.5	□ 17.5	□ 17.5	□ 17.5
□ 12 Low Poly		□ 15.0				
		□ 15.5	□ 16.0			
		□ 16.0	□ 16.5			
		□ 16.5	□ 17.0			
□ 16	□ 14.0	□ 15.0				
	□ 15.0	□ 17.0	□ 17.0			
		□ 17.5	□ 17.5	□ 17.5	□ 17.5	□ 17.5
		□ 18.0	□ 18.0	□ 18.0	□ 18.0	
		□ 18.5	□ 18.5	□ 18.5	□ 18.5	□ 18.5
					□ 19.0	
□ 20		□ 16.0	□ 16.0			
		□ 16.5	□ 16.5			
		□ 17.0	□ 17.0		□ 17.5	
		□ 17.5	□ 17.5	□ 19.5	□ 20.0	□ 17.5
			□ 19.5	□ 20.0	□ 20.5	□ 19.5
□ 22		□ 16.5	□ 16.5			
		□ 17.0	□ 17.0		□ 17.5	
		□ 17.5	□ 17.5	□ 17.5	□ 18.0	□ 17.5
		□ 18.0	□ 18.0	□ 18.0	□ 18.5	
□ 24		□ 17.5	□ 17.5	□ 17.5	□ 18.0	
		□ 18.0	□ 18.0	□ 18.0	□ 18.5	□ 17.5
		□ 18.5	□ 18.5	□ 18.5	□ 19.0	□ 18.5
		□ 19.0	□ 19.0	□ 19.0	□ 19.5	

Casters			
□	194CW73	4" x 1.25" Semi Pneumatic	NC
□	194CW5	5" Low Profile Polyurethane	NC
□	194CW7	5" X 1.5" Semi Pneumatic	\$95.00
□	194CW34	6" Polyurethane	NC
□	194CW35	6"x 1.5" Semi Pneumatic	\$95.00
□	194CW32	8" Polyurethane	NC
□	194CW39	8"x 1.5" Semi Pneumatic	\$126.00
□	194CW36	8"x 2" Pneumatic	\$215.00
□	194CW100	8"x 2" Pneumatic w/Insert	\$342.00

4. REAR WHEELS / SEAT HEIGHT

Rear Wheel			
□	194RW13	12" Mag Wheel	NC
□	194RW14	16" Mag Wheel	NC
□	194RW3	20" Mag Wheel	NC
□	194RW8	22" Mag Wheel	NC
□	194RW1	24" Mag Wheel	NC

Rear Wheel Tire			
□	194RT3	Full Polyurethane NA with 12" and 16"	NC
□	194RT4	Low Polyurethane Only available with 12" Mag Wheel	NC
□	194RT1	Pneumatic	NC
□	194RT2	Pneumatic Airless Insert	\$215.00

Handrim			
<i>12" and 16" wheels not available with handrims.</i>			
□	194HR1	Aluminum Anodized	NC
□	194HR4	Plastic Coated	\$126.00
□	194HR7	Omit Handrim	-\$12.00

Axle			
□	194AX1	Quick Release	NC
□	194AX44	Threaded	NC

5. WHEEL LOCKS

Wheel Lock			
□	194WL8	Push To Lock	NC
□	194WL43	Rear Foot Operated Wheel Lock	\$79.00
□	194WL10	Omit Wheel Lock	NC

Wheel Lock Extension Handle			
<i>Not available with rear foot operated wheel lock</i>			
□	194EH7	Extension Handle (Pair)	\$63.00

6. HANGER AND FOOTREST

Hanger

Front mount hangers only available w/ Alum angle adj footplates

<input type="checkbox"/>	194H139	70° Swing In/Swing Out -Ext. Mount	NC
<input type="checkbox"/>	194H140	70° Swing In/Swing Out -Front Mount	NC
<input type="checkbox"/>	194H141	80° Swing In/Swing Out -Ext. Mount NA with all 8" casters	NC
<input type="checkbox"/>	194H142	80° Swing In/Swing Out -Front Mount	NC
<input type="checkbox"/>	194H159	Articulating Hanger NA w/ Platform Flip Up and Alum Angle Adj Front Mount footplates.	\$457.00
<input type="checkbox"/>	194H160	Elevating Hanger - Ext Mount NA w/ Platform Flip Up and Alum Angle Adj Front Mount footplates.	\$295.00
<input type="checkbox"/>	194H161	Elevating Hanger - Front Mount Only available w/ front mount alum angle adj footplates and 14"-22" width	\$295.00
<input type="checkbox"/>	194H144	Omit Hanger	NC

Extension Tube (NA w/ Front Mount Hangers)

See lower leg length matrix

<input type="checkbox"/>	194E1	Short (NA with ELR)	NC
<input type="checkbox"/>	194E2	Medium	NC
<input type="checkbox"/>	194E5	Long	NC

Lower Leg Length Range Matrix

Hanger	Ext Tube	Footplate				
		Composite	Alum Angle Adj	Aluminum		
		70° Swing In/Out			Short	10.0" - 14.0"
			Medium	11.0" - 15.9"	11.1" - 16.0"	NA
			Long	12.9" - 17.8"	13.0" - 17.9"	NA
80° Swing In/Out			Short	9.9" - 11.0"	10.1" - 13.7"	NA
			Medium	11.0" - 15.5"	11.1" - 15.7"	NA
			Long	12.7" - 17.3"	12.9" - 17.4"	NA

All values are ± 0.25" and based on flat seat heights and do not account for the minimum 2" ground clearance or footplate thickness. Full range not available with all seat heights. ELR measurements taken with ELR fully

Front Mount Extension Tubes (NA w/ Extension Mount Hangers)

Optional, not required for Front Mount Hangers

<input type="checkbox"/>	194E23	2"	\$47.00
<input type="checkbox"/>	194E24	4" NA w/14", 15" Seat To Floor Ht, NA w/80° Hangers & 8" casters	\$47.00

Hanger Mount

Ext	None	2"	4"
70°	3.1" - 8.8"	3.1" - 11.1"	3.1" - 13.0"
80°	3.3" - 9.2"	3.3" - 11.7"	3.3" - 13.7"
90°	2.7" - 8.7"	2.7" - 11.2"	2.7" - 13.2"

Footplates

Heel loop not included, see Footplate Options section below

<input type="checkbox"/>	194F1	Composite	NC
<input type="checkbox"/>	194F5	Aluminum Only Avail w/ Elevating Legrest	NC
<input type="checkbox"/>	194F291	Aluminium Angle Adjustable	\$152.00

Footplate Options

<input type="checkbox"/>	194HL1	Heel Loops	NC
<input type="checkbox"/>	1945A02	Toe Loops (pair) Only Avail w/ Angle Adj. Footplate	\$37.00

Hanger	Extension	Seat Sling to Top of Footrest		Min Allowable FSH
		Min	Max	
ALR	Short	8 1/2	16	10 1/2
	Med	10	18	12
	Long	12	20	14
ELR Ext. Mount	Short	8	14 1/2	10
	Med	8	16 1/2	10
	Long	9 1/2	18 1/2	11 1/2
ELR Front Mount	No Ext (top hole)	3 1/2	7 1/2	5 1/2
	2" ext tube	7 1/4	10 1/4	9 1/4
	4" ext tube	9 1/4	12 1/4	11 1/4
	6" ext tube	11 1/4	14 1/4	13 1/4

7. BACKREST / SEATING

Backrest Type

<input type="checkbox"/>	194BT3	Non Folding Backrest NA with Height Adjustable Back	NC
<input type="checkbox"/>	194BT99	Folding Backrest NA with Reclining Backrest	NC

Backrest Options

<input type="checkbox"/>	194OD19	Removable Extension NA with Height adj. back with adjustable stroller handle.	\$152.00
--------------------------	---------	-------------------------------------------------------------------------------------	----------

JAY J3 Back

<input type="checkbox"/>	194JB01	JAY J3 Back	See OF
--------------------------	---------	-------------	--------

Backpost Style - Select only one option within A, B, or C

A. Stroller Handle Backpost (Fixed)

Folding Backrest adds 1" to the listed values.

<input type="checkbox"/>	194BP48	Low (18")	NC
<input type="checkbox"/>	194BP49	Medium (21")	NC
<input type="checkbox"/>	194BP50	Tall (24")	NC

OR

B. Height Adjustable Back w/ Adj. Stroller Handles

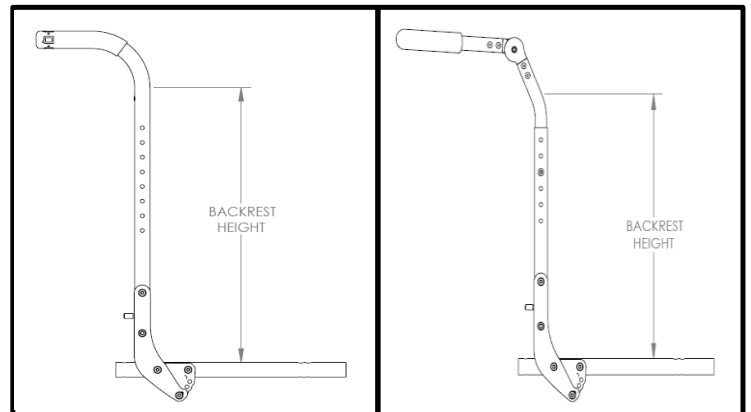
<input type="checkbox"/>	194BP51	Standard 15"-21"	NC
<input type="checkbox"/>	194BP52	Tall 18"-24"	NC

OR

C. Reclining Backrest

Not available with 22" Deep Frame

<input type="checkbox"/>	194BP53	Medium (21")	\$1,366.00
<input type="checkbox"/>	194BP54	Tall (24")	\$1,366.00



Reclining/Fixed Handle Ht. Diagram

Height Adj. Handle Height Diagram

ORDER INFORMATION: Customer Service: 800-263-3390 Fax: 800-561-5834 www.sunrisemedical.ca

Specifications are subject to change without notice. Copyright © 2016 Sunrise Medical Canada Inc. SR45, MK-100025 REV D (US) REV 2 (CA)

7. BACKREST / SEATING (CONT)

A. Backrest Position (set up by Quickie)

See **FIGURE 4** Dimension C. The location of the backrest surface in relation to the front of the backpost. The measurement is taken from the front surface of the backpost to the deepest area of the backrest in contact with the user's body.

<input type="checkbox"/>	194BQ01	+3"	NC
<input type="checkbox"/>	194BQ05	+2"	NC
<input type="checkbox"/>	194BQ02	+1"	NC
<input type="checkbox"/>	194BQ03	Flush	NC
<input type="checkbox"/>	194BQ04	-1"	NC
<input type="checkbox"/>	194BQ06	-2"	NC

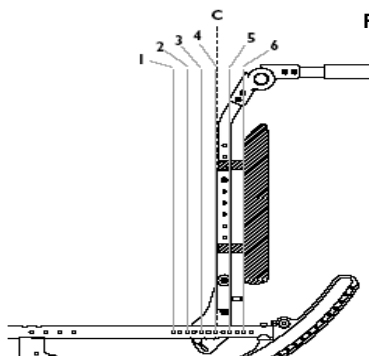


Figure 4

Back Type	
1	3" forward (+3")
2	2" forward (+2")
3	1" forward (+1")
4	Flush
5	1" rearward (-1")
6	2" rearward (-2")

8. ARMREST / SIDEGUARDS

Armrest

Armrests w/ Transfer Bar NA w/ 14" Seat Depth

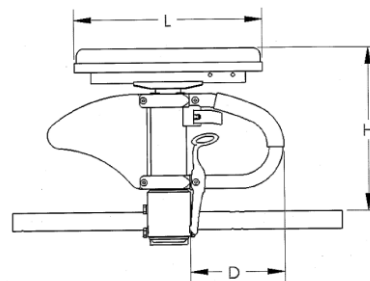
<input type="checkbox"/>	194AA100	Dual Post Height Adj No Transfer Bar	\$305.00
<input type="checkbox"/>	194AA101	Dual Post Height Adj w/Transfer Bar	\$315.00
<input type="checkbox"/>	194AA102	Dual Post Flip Back Height Adj No Transfer Bar	\$283.00
<input type="checkbox"/>	194AA103	Dual Post Flip Back Height Adj w/Transfer Bar	\$295.00
<input type="checkbox"/>	194AA104	Single Post Height Adjustable - Std	\$295.00
<input type="checkbox"/>	194AA105	Single Post Height Adjustable - Low	\$295.00
<input type="checkbox"/>	194AA14	Omit Armrest	NC

Armpad

<input type="checkbox"/>	194AM25	Desk	NC
<input type="checkbox"/>	194AM26	Full	NC

Armrest Receiver (Single Post Height Adjustable Only)

<input type="checkbox"/>	194AR17	Low	NC
<input type="checkbox"/>	194AR18	Std	NC



Armrest Matrix for Single Post

Armrest Size	Transfer Tube Length D	Receiver	H Range	Pad Length L	
				Desk	Full
STD	8"	STD	10 3/4" to 15 3/4"	10 1/4"	14"
		LOW	8 3/4" to 13 3/4"		
LOW	5 1/4"	STD	9" to 13"	10 1/4"	14"
		LOW	7 1/4" to 11 1/4"		

9. KEY OPTIONS AND ACCESSORIES

Anti Tips

<input type="checkbox"/>	194AT1	Anti Tips (Pair)	\$105.00
--------------------------	--------	------------------	----------

Positioning Belt

<input type="checkbox"/>	194A141	1.5" Auto Buckle Universal w/Clamp	\$84.00
<input type="checkbox"/>	194A118	2" Aircraft Buckle Pad w/Clamp	\$178.00
<input type="checkbox"/>	194A120	Positioning Belt Clamps Only	\$53.00

Misc.

<input type="checkbox"/>	194A1	Black Utility Backpack	\$97.00
<input type="checkbox"/>	194TS03	Tilt Stops	\$32.00

10. COLOR

Standard Frame Colors

<input type="checkbox"/>	194C140	Aztec Gold	NC
<input type="checkbox"/>	194C2	Black <i>(Not avail as base w/Zebra)</i>	NC
<input type="checkbox"/>	194C141	Black Cherry	NC
<input type="checkbox"/>	194C10	Black Opal	NC
<input type="checkbox"/>	194C38	Blue Opal	NC
<input type="checkbox"/>	194C36	Candy Blue	NC
<input type="checkbox"/>	194C14	Candy Purple	NC
<input type="checkbox"/>	194C35	Candy Red	NC
<input type="checkbox"/>	194C142	Electric Blue	NC
<input type="checkbox"/>	194C143	Evergreen	NC
<input type="checkbox"/>	194C126	Glow	NC
<input type="checkbox"/>	194C144	Green Apple	NC
<input type="checkbox"/>	194C147	Hot Sparkle Pink	NC
<input type="checkbox"/>	194C148	Mauve Pink	NC
<input type="checkbox"/>	194C103	Rootbeer	NC
<input type="checkbox"/>	194C114	Sparkle Silver	NC
<input type="checkbox"/>	194C145	Sunrise Orange	NC
<input type="checkbox"/>	194C113	Titanium Color Paint	NC
<input type="checkbox"/>	194C8	Yellow	NC

Matte Frame Colors

<input type="checkbox"/>	194C116	Matte Black	NC
<input type="checkbox"/>	194C151	Matte Black Cherry	NC
<input type="checkbox"/>	194C150	Matte Electric Blue	NC
<input type="checkbox"/>	194C149	Matte Evergreen	NC
<input type="checkbox"/>	194C152	Matte Purple	NC

Custom Frame Color

<input type="checkbox"/>	194C112	Desert Camouflage	\$320.00
<input type="checkbox"/>	194C43	Mossy Oak Camouflage	\$320.00
<input type="checkbox"/>	194C42	Stars & Stripes	\$320.00
<input type="checkbox"/>	194C108	Zebra <i>(Choose above base color) Std with White unless above base paint is chosen NA w/ Blk, Matte Black, Blk Opal, Titanium)</i>	\$320.00

Additional Options Through Built for Me

To inquire about any unique customization for Quickie products, contact: Phone: (800) 263-3390, Fax: (800) 561-5834



11. COLOR



*Save time! Wheelchair and seating will be delivered together.
Hardware pre-installed.*

Cushions

<input type="checkbox"/>	Jay Cushion:		
Width:		Depth:	
Notes:			

Backs

<input type="checkbox"/>	Jay Back:		
Width:		Height:	
Notes:			

Headrest

<input type="checkbox"/>	System:	
Pads:		
Notes:		
Hardware:		
Notes:		

Jay Positioning Components

<input type="checkbox"/>	Anterior Trunk Supports:	
Size:		
Hand and Arm Supports:		
Size:		
Pelvic Positioning:		
Size:		
Foot Positioning:		
Size:		
Notes:		

