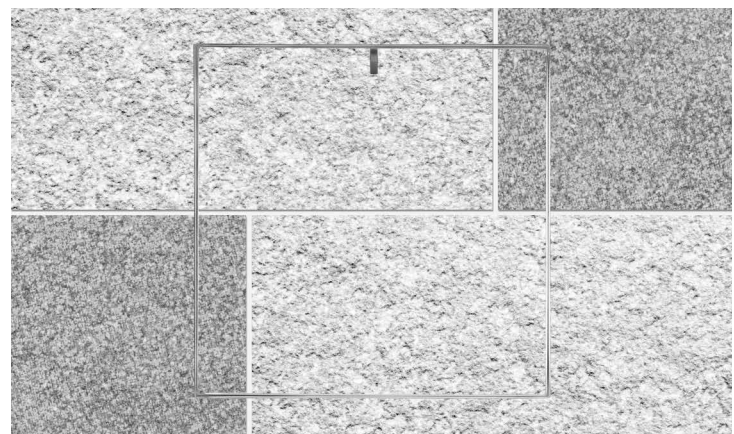
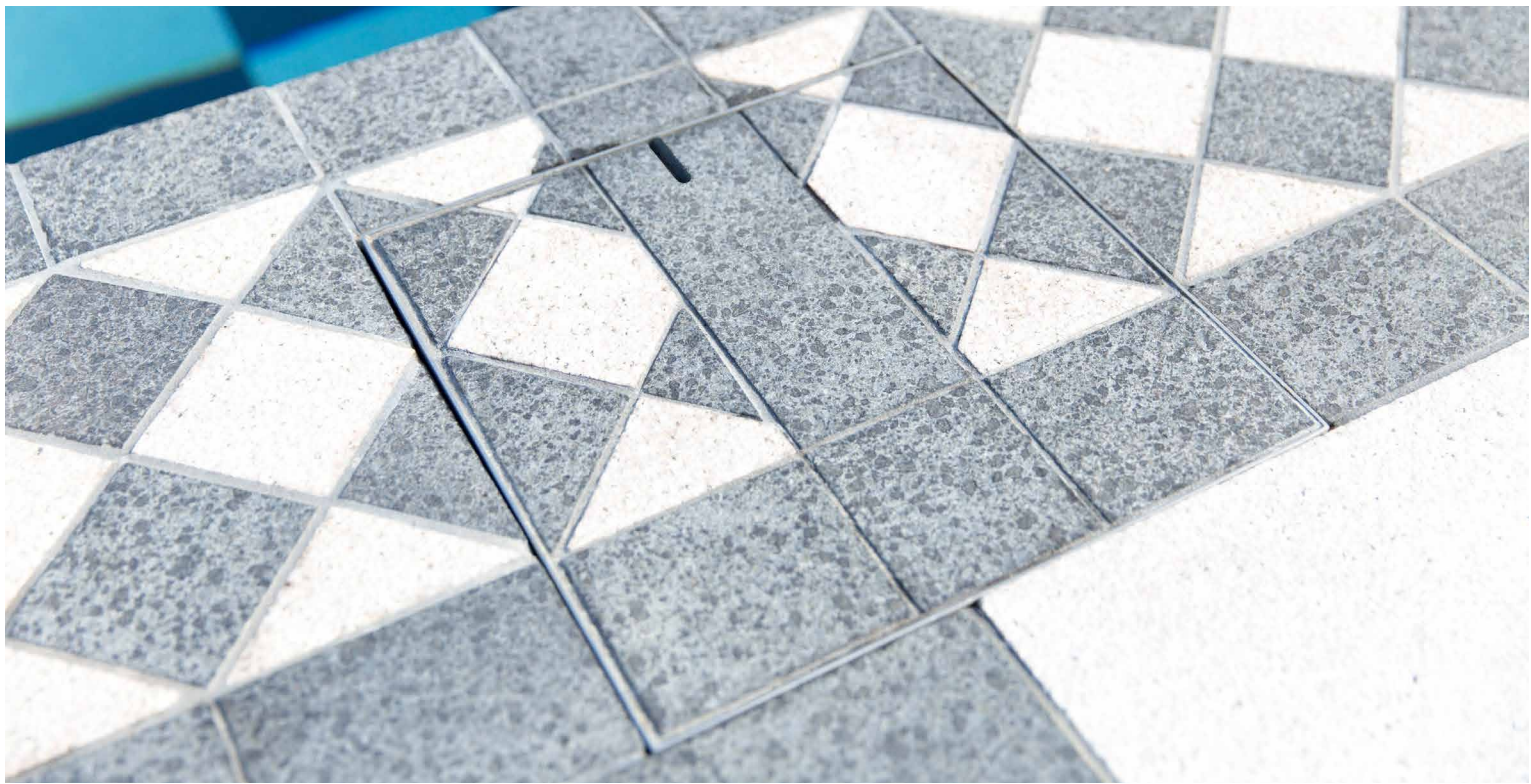




FOR THE
CONTRACTOR

INSTALLATION INSTRUCTIONS
HIDE SKIMMER LID




Patented technology and registered designs.

MATERIALS + TOOLS

IN THE KIT

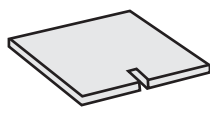
A HIDE SAFETY KEY



DO NOT LEAVE IN THE LID!
Pass to the Homeowner.

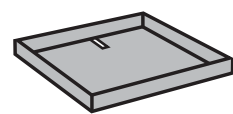
Enables the installed HIDE lid to be safely opened/closed.

B HEIGHT ADJUSTER



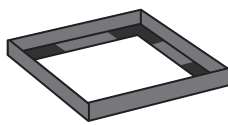
Provides 2mm extra height if inlay material is not thick enough to achieve a flush finish with the top of the Inlay Lid.

C INLAY LID



A tray which holds the inlay material eg tile, paver, decking, cement.

D EDGE PROTECTOR




A frame inserted into a recess within the landscaped area. It protects the coping/surrounds from chipping/breakage.

E ADHESIVE



HIDE Adhesive to be inserted into a caulking gun. For use when assembling the Inlay Lid.

F INFO PACK



Homeowners Manual and Warranty pack. To be passed on after installation.

EQUIPMENT YOU'LL NEED

(The type of inlay materials to be fitted will determine the tools required.)

CIRCULAR SAW



ANGLE GRINDER



For cutting a keyway in the inlay material.

PERSONAL PROTECTIVE EQUIPMENT (PPE)



LEVEL WORK SURFACE



TAPE MEASURE + MARKER



SPONGE + WATER



CAULKING GUN



LUBRICANT SPRAY



Or cling film.

GENERAL PURPOSE BUCKET




MORTAR BED MIX



For installing the Edge Protector.

GROUT



If grouting tiled/stone inlay.

TROWEL



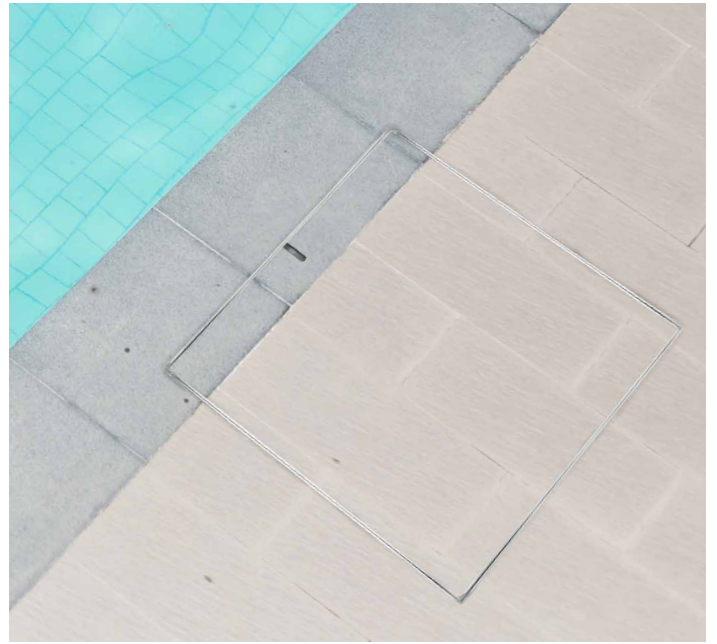
INLAY SOLUTIONS

Depending on where the HIDE product is to be installed, it may run across two different types of landscaping materials. Similarly, it may need to be inserted where grout lines are present, or fitted with an intricate tile pattern. With a little extra care, the HIDE product can be installed so it is virtually invisible.

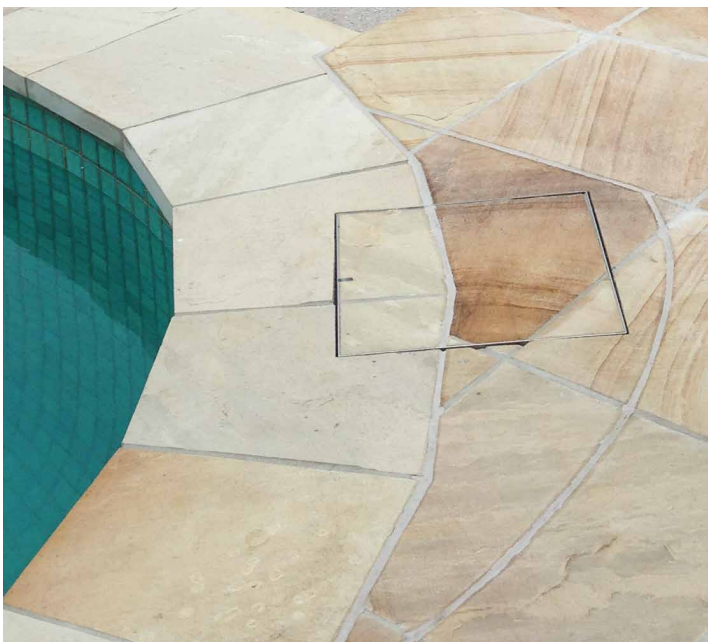
① GROUT MATCHED



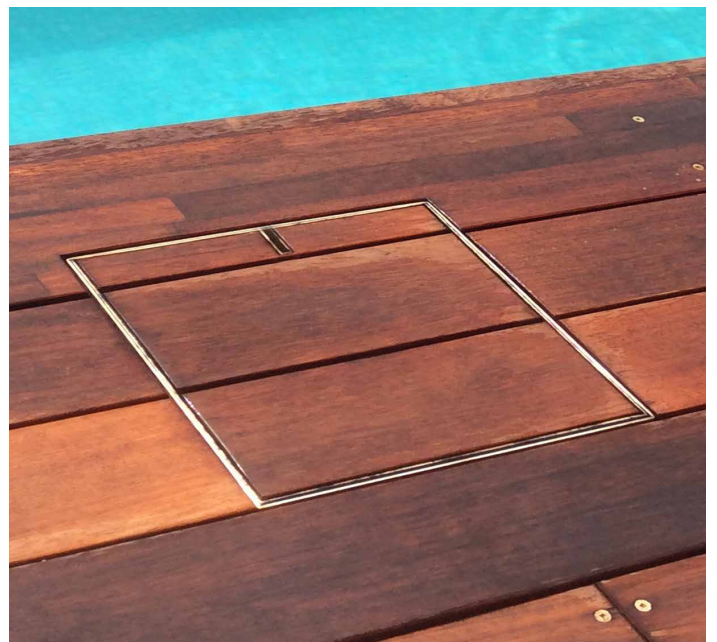
② TILE BANDING



③ INTRICATE PATTERNS



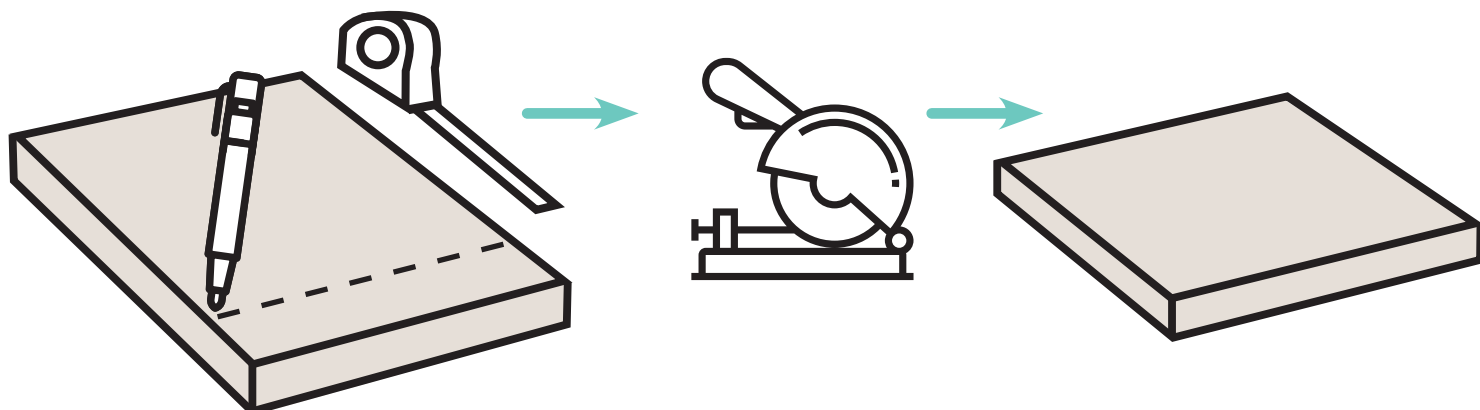
④ TIMBER DECKING



ASSEMBLING THE INLAY LID

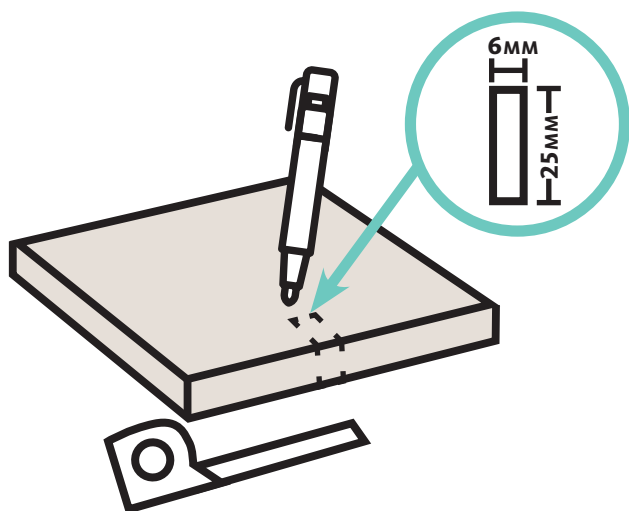
FITTING TILE/STONE INLAY

1 CUT TILE (INLAY) TO SIZE



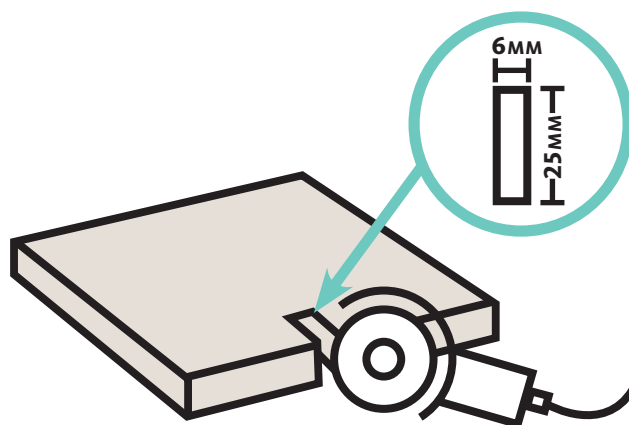
IF USING TUMBLED/CHISSELLED EDGE TILE/STONE CUT ALL 4 EDGES FOR A BETTER FINISH.
SEE PREVIOUS PAGE TO VIEW OPTIONS FOR ALIGNING INLAY AND GROUT LINES TO COPING/ SURROUNDS.

2 MARK UP KEYWAY AT CENTRE

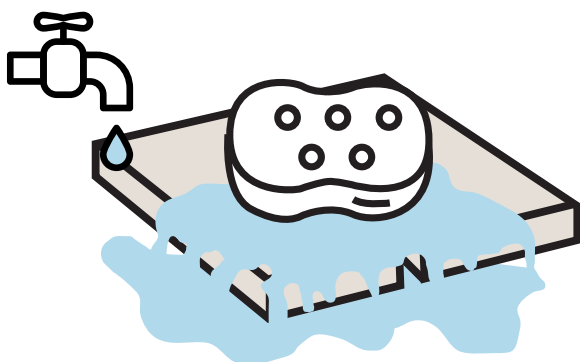


ENSURE KEYWAY IS POSITIONED ON THE TILE EDGE WHICH WILL BE CLOSEST TO THE POOL.

3 CUT KEYWAY

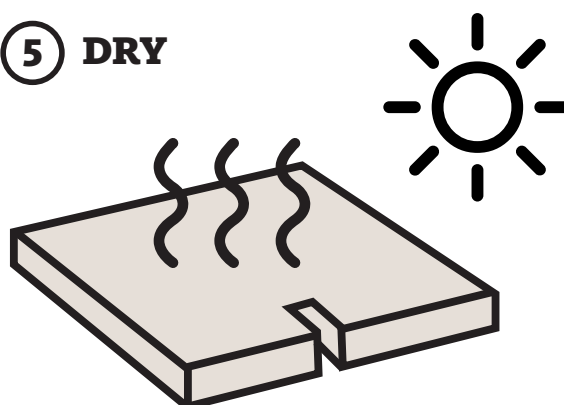


4 CLEAN

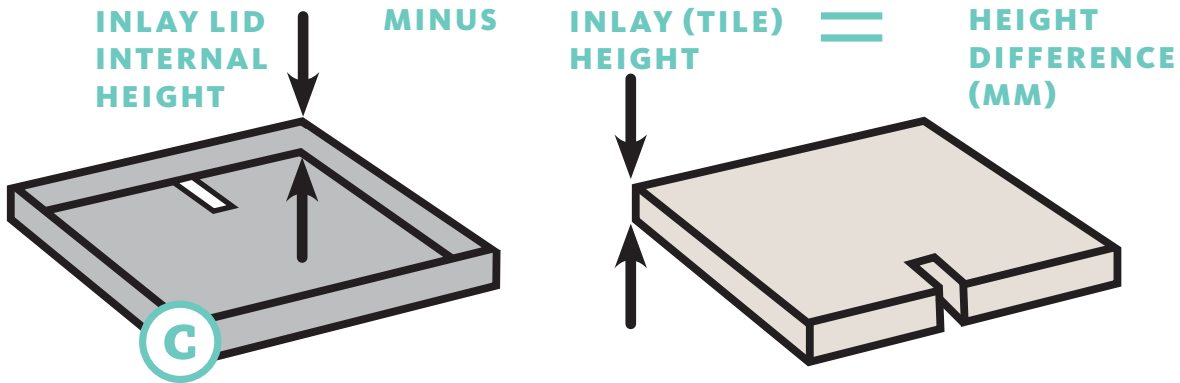
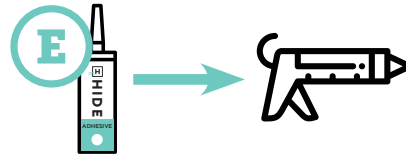


FAILURE TO COMPLETE THESE STEPS MAY RESULT IN A WEAK ADHESIVE BOND.

5 DRY

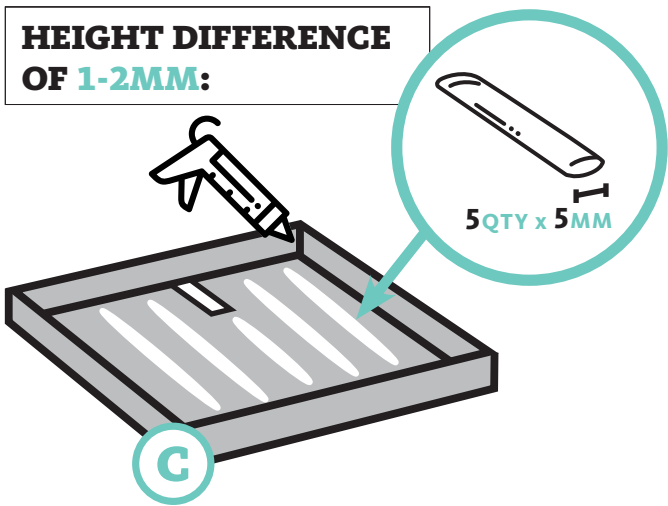


6 CALCULATE ADHESIVE REQUIRED

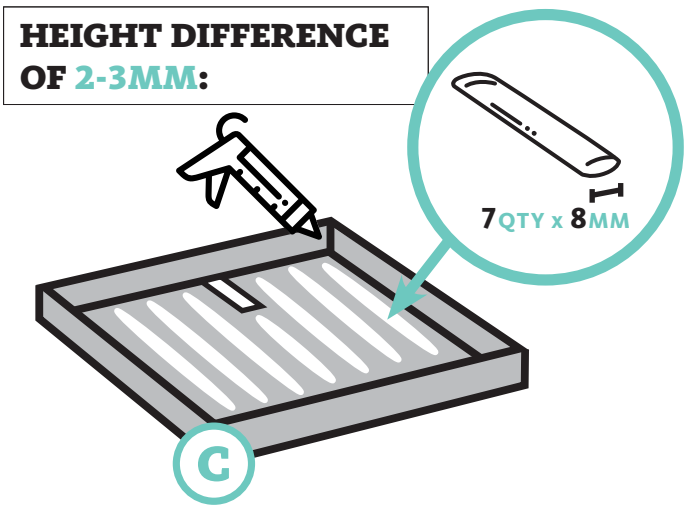


7 HEIGHT DIFFERENCE UNDER 3MM

HEIGHT DIFFERENCE OF 1-2MM:

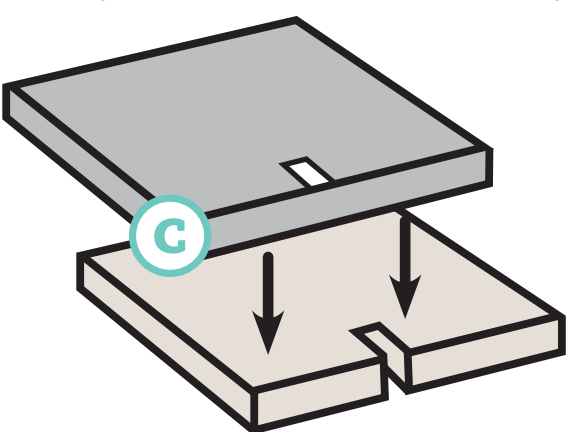


HEIGHT DIFFERENCE OF 2-3MM:



⚠️ AVOID PLACING ADHESIVE WITHIN 10MM OF KEYWAY.

Flip Inlay Lid (C) over and press down onto inlay (tile):



CROSS SECTION VIEW:



ASSEMBLING THE INLAY LID

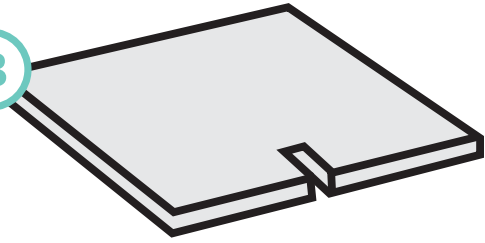
FITTING TILE/STONE INLAY

8 HEIGHT DIFFERENCE OVER 3MM

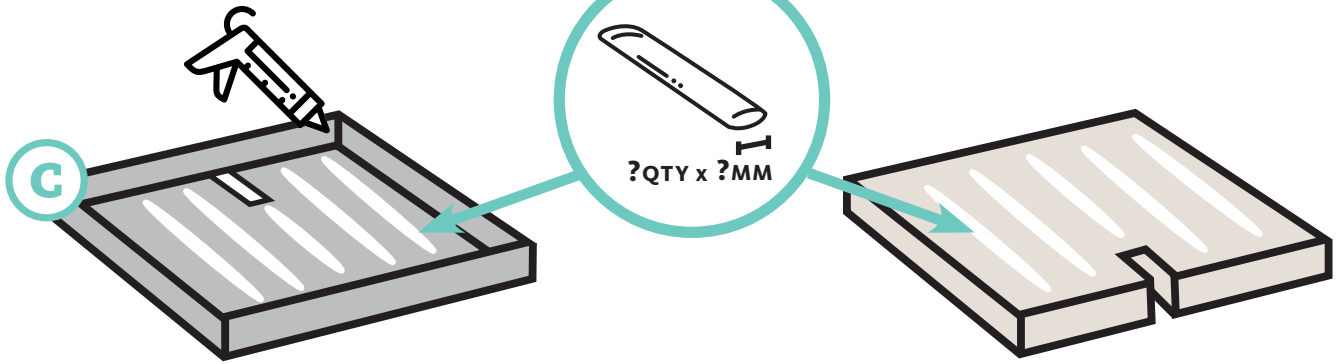
USE THE **HEIGHT ADJUSTER**

=

B

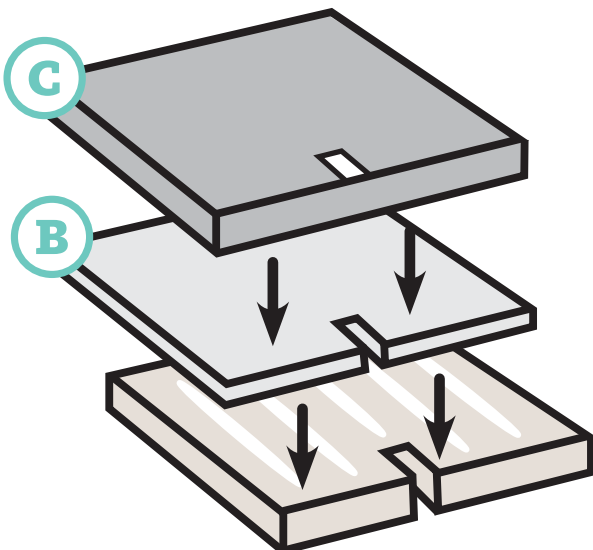


To calculate TOTAL adhesive to use with the Height Adjuster, remember there will be two lots of adhesive applied ie. adhesive is applied inside the Inlay Lid (C) AND the reverse side of the inlay material (tile).



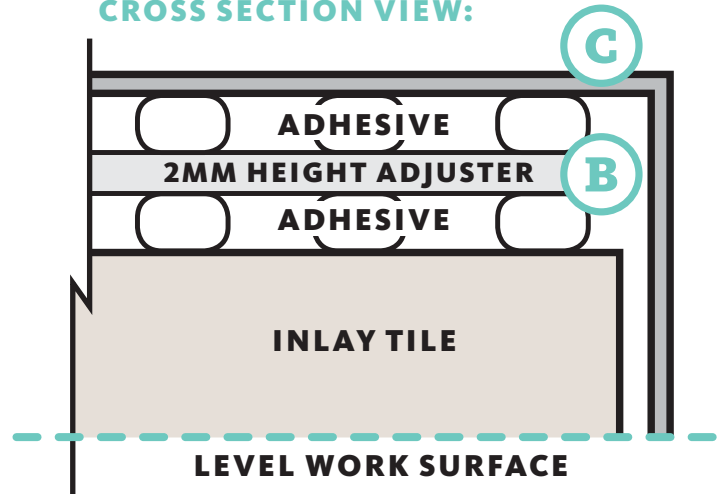
AVOID PLACING ADHESIVE WITHIN 10MM OF KEYWAY.

Place Height Adjuster on inlay (tile), then flip Inlay Lid (C) over and press down onto Height Adjuster:

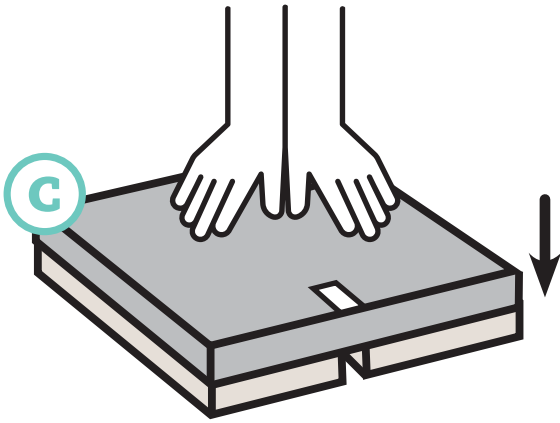


=

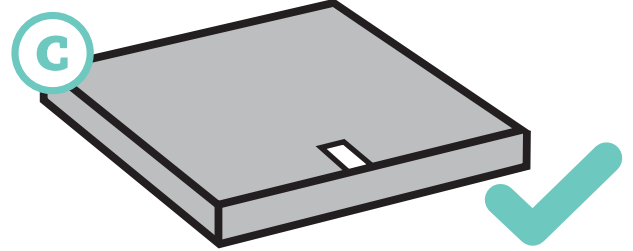
CROSS SECTION VIEW:



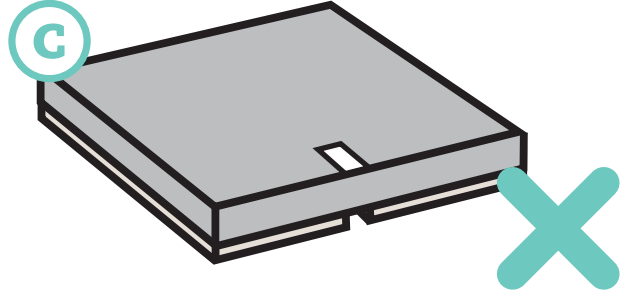
9 PRESS DOWN FOR A LEVEL FINISH



RIGHT FINISH:



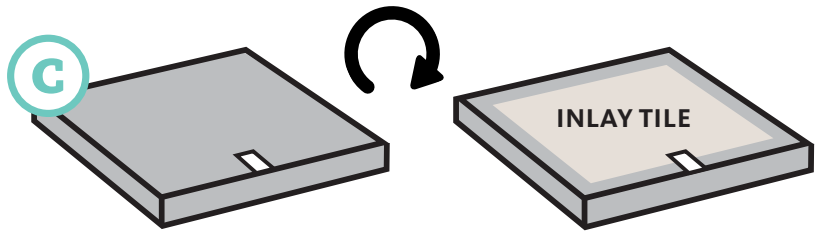
WRONG FINISH:



10 WAIT WHILE ADHESIVE STIFFENS

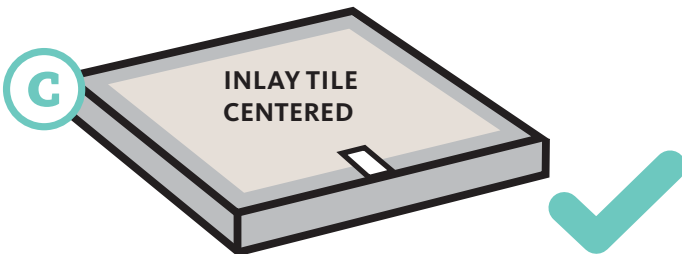


11 FLIP RIGHT WAY UP

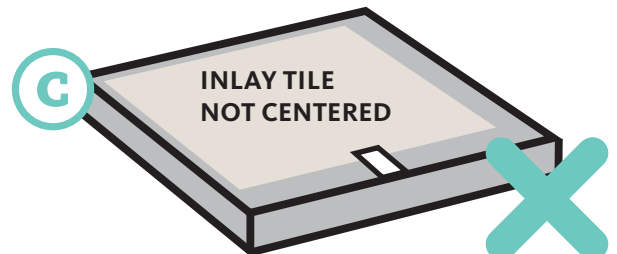


12 CENTRE TILE IN THE LID

RIGHT FINISH:



WRONG FINISH:



13 LET ADHESIVE SET



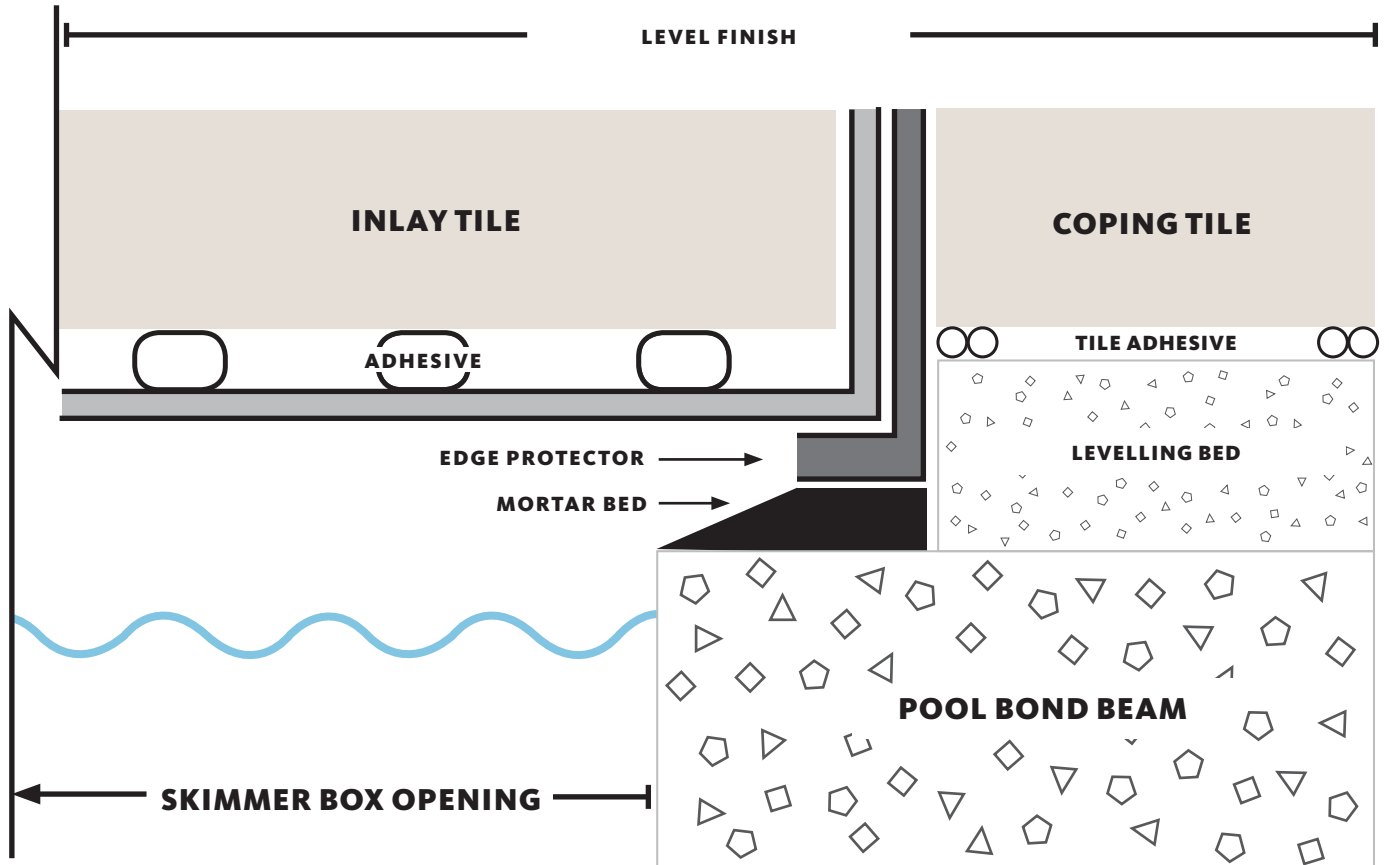
TO FIT DECKING BOARDS

Follow a similar process as for tile/stone, but cut and glue boards to size, leaving an opening for the keyway and to allow for drainage.

INSTALLING THE EDGE PROTECTOR

PREVIEW: FINAL ASSEMBLED HIDE SKIMMER LID + EDGE PROTECTOR

CROSS SECTION VIEW:



NOTE - INSTALLATION IS ONLY COMPLETE WHEN:



NEVER leave the HIDE Safety Key in the lid for any reason, especially after install.

Leaving the Safety Key in the top of an installed lid makes the device non-compliant with Australian Pool Safety Regulations. It exposes a contractor to possible legal ramifications if a resulting accident or injury occurs.



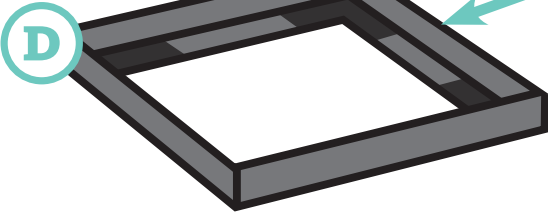
DO NOT RISK IT - HIDE recommends that once the lid is installed, the Safety Key is passed to the homeowner, and is stored securely.

Also pass the enclosed "Homeowners Manual" (F) to the homeowner. This contains their warranty, plus safe use and care information.

1 POOL PREPERATION

NEW POOLS:

WHEN LAYING
LEVELLING
BED, PROVIDE
SPACE FOR EDGE
PROTECTOR

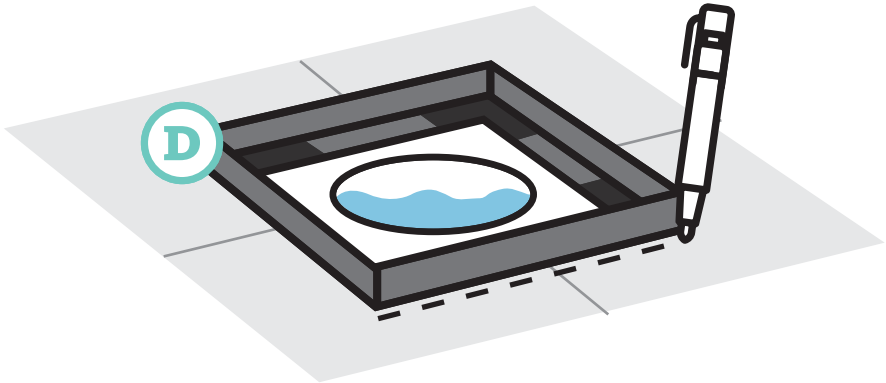


EXISTING POOLS:

MARK OUTLINE FOR CUTTING SURROUNDS

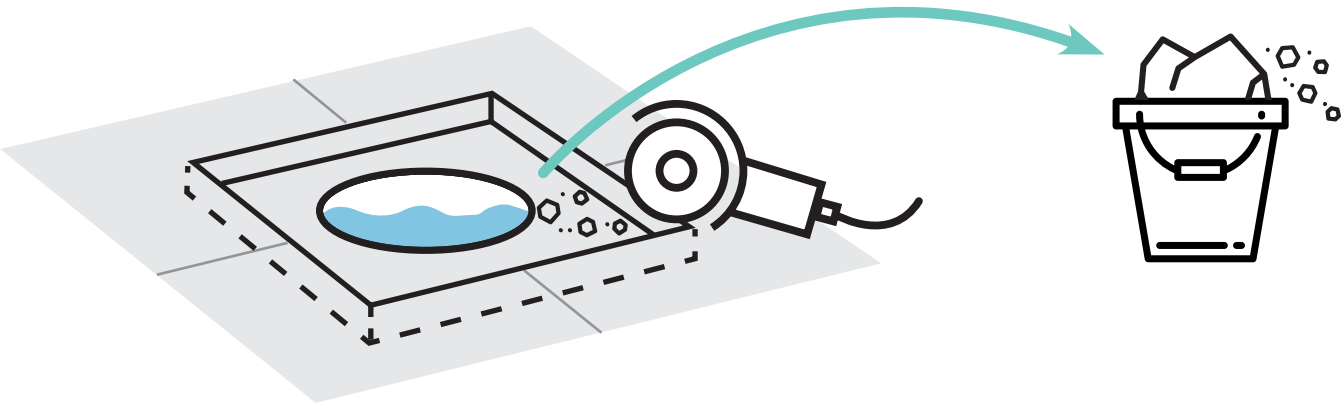


ENSURE EDGE PROTECTOR IS
CENTRED OVER SKIMMER TO
MARK CUTTING AREA.
ALLOW FOR 1-2MM
CLEARANCE ON ALL SIDES.



**CUT DEPTH TO MATCH SELECTED EDGE
PROTECTOR AND A MORTAR BED**

REMOVE DEBRIS FROM RECESS



INSTALLING THE EDGE PROTECTOR

2 SELECT ELECTRICAL BONDING METHOD



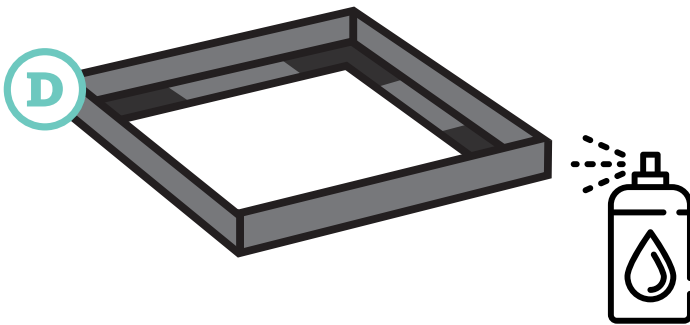
HIDE products are constructed from 316 stainless steel, and are considered a conductive material. Safety regulations apply when fixing exposed conductive parts within arm's reach of the pool.

REMOVABLE:

Equipotential bonding is not required if the HIDE Edge Protector is installed removable (ie. not fixed in place).

To achieve a removable installation, allow a small clearance or ensure the surrounding materials do not bond to the Edge Protector.

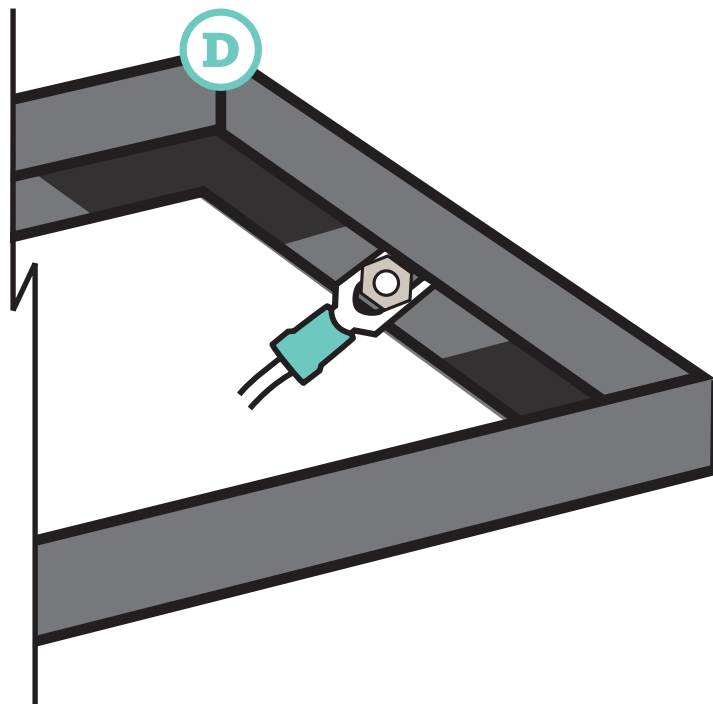
Do so through the use of a thin spacer (such as cling film), or apply an adhesive resistant coating to the outside of the Edge Protector (eg. most multi-purpose lubricant sprays or cooking oil).



FIXED:

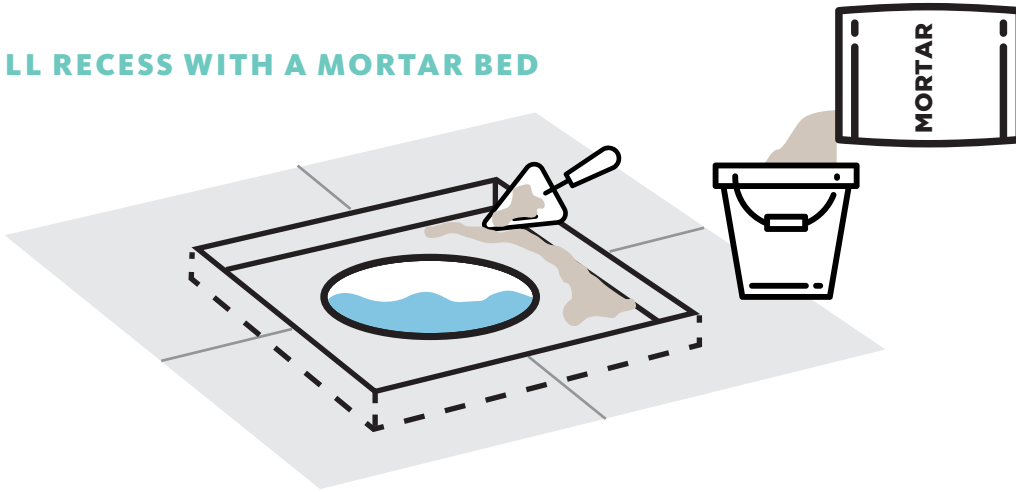
If the pool equipment needs bonding, so too will any other fixed metal part close to the pools edge. This includes the HIDE Edge Protector if installed in a fixed (ie. not removable) position.

Attach the appropriate bonding links using the pre-drilled hole in the HIDE Edge Protector - refer to the site electrician.



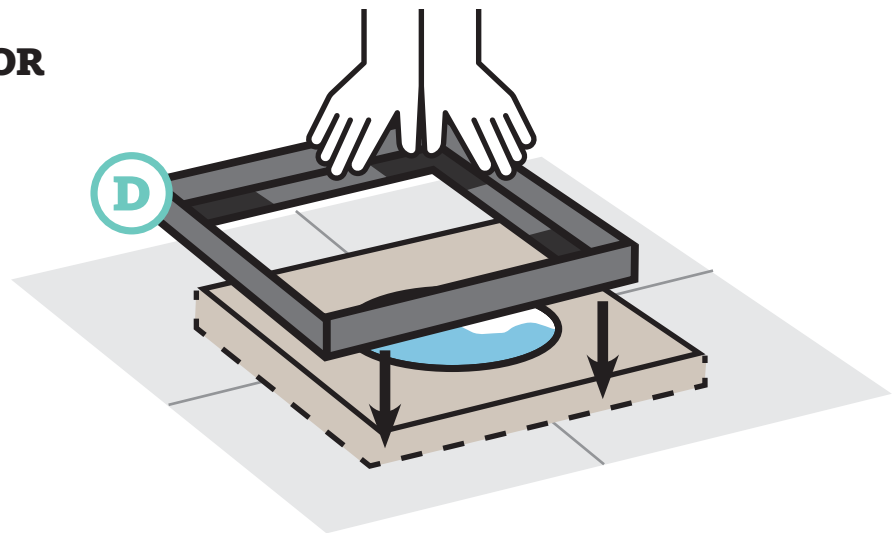
3 INSTALL MORTAR

FILL RECESS WITH A MORTAR BED



4 PUSH IN EDGE PROTECTOR

 ENSURE EDGE PROTECTOR SITS LEVEL WITH SURROUNDS. REMOVE EXCESS MORTAR.

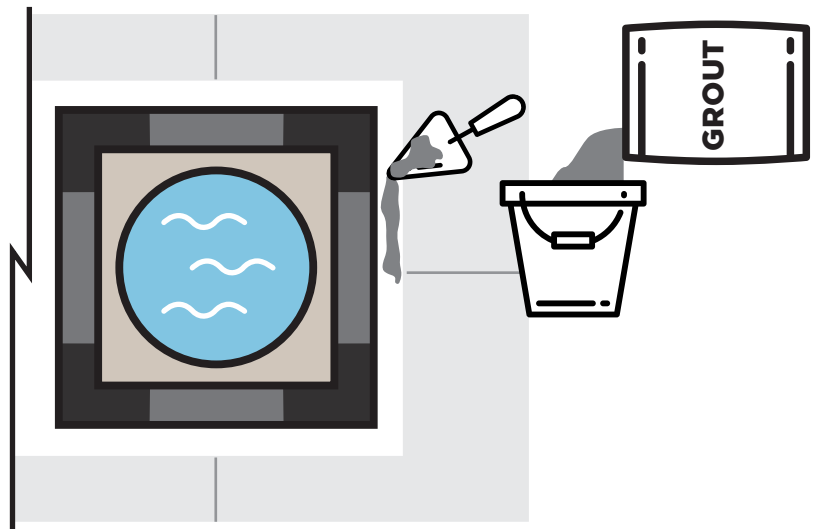


5 ALLOW MORTAR TO SET



6 GROUT THE EDGE PROTECTOR

TOP VIEW OF INSTALL



7 ALLOW GROUT TO SET



IMPORTANT CONTRACTOR INFORMATION

MORE HIDE PRODUCTS:

THE HIDE ACCESS COVER:



The HIDE Access Cover can be used for underground service points including: water table inspection pipe (typically close to the skimmer box); grey water inspections outlets (IO); water tanks; balance tanks; taps and irrigation; valves; and meters.

THE HIDE DRAIN COVER:



HIDE Drain Covers work efficiently to remove surface water in most outdoor areas, pathways, pool surrounds, and may be used for outdoor showers. The HIDE drain cover is compatible with a standard 90mm or 100mm drainage network.

!!SAFETY FIRST!!



**REMOVE KEY
FROM LID**

NEVER leave the HIDE Safety Key in the lid for any reason, especially after install.

Leaving the Safety Key in the top of an installed lid makes the device non-compliant with Australian Pool Safety Regulations. **It exposes a contractor to possible legal ramifications** if a resulting accident or injury occurs.



**PASS KEY TO
HOMEOWNER**

DO NOT RISK IT - HIDE recommends that once the lid is installed, the Safety Key is passed to the homeowner, and is stored securely.



**NO ACID /
CHEMICAL
WASH CONTACT**

ACID and chemical washes will cause discolouration and/or rusting on the stainless steel HIDE components. Acid or chemical contact will void the HIDE warranty.



**SAFE WORK
PRACTICES**

ALWAYS be conscious of your, and co-workers, safety while assembling and installing the HIDE components.

Personal protective equipment (PPE) must be worn, especially when cutting tiles and using adhesive.

Recommended PPE includes eye and ear protection, gloves, dust mask and safety boots.

**FOR
MORE
INFO:**

P: 07 3807 2551

E: admin@skimmerlids.com.au

Unit 3/26 Octal Street, Yatala Q 4207

WWW.SKIMMERLIDS.COM.AU



PROUDLY MANUFACTURED BY:

SKIMMER LIDS
PTY LTD