

JWW100 UNIVERSAL WALL FITTING

WALL FITTING INSTALLATION:

The JWW100 Universal Wall Fitting conveys pressurised water from the booster pump to the pressure pool cleaner.

Remove the JV23 Wall Adaptor from the bayonet body of the Wall Fitting and screw it by hand into the 1½" female thread on the dedicated supply line. Turn until tight – gently use a wrench if necessary.

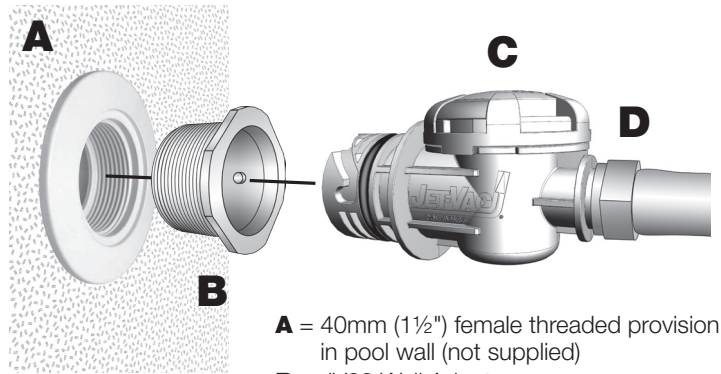
Take the bayonet end of the Wall Fitting and twist lock it clockwise into the Wall Adaptor a quarter turn to ensure a snug fit. Fit the mender nut over the barbed end of the Wall Fitting, then fit the feed hose – and tighten mender nut to secure.

Once the wall adaptor is secure you can now twist lock and unlock to remove bayonet body wall fitting with ease from the wall adaptor, which stays firmly screwed in place.

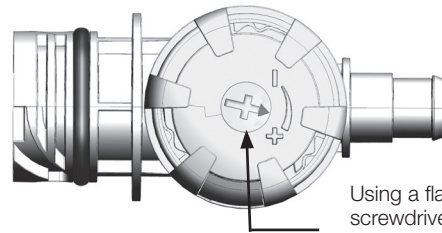
If necessary, the speed of the pool cleaner may be adjusted by turning the keyway as indicated. Never fully close the keyway valve.

The stainless steel mesh strainer should be periodically checked and cleaned.

The o-ring should also be lubricated regularly.



- A** = 40mm (1½") female threaded provision in pool wall (not supplied)
- B** = JV23 Wall Adaptor
- C** = JWW100 Bayonet Wall Fitting
- D** = D15P Mender Nut (not supplied)



Using a flat or Phillips Head screwdriver turn keyway towards plus or minus to adjust pressure and the speed of the cleaner.

MADE IN AUSTRALIA BY
AQUAQUIP

Automatic Pool Cleaners (Australia) Pty Ltd
40 Percy Street, Auburn NSW 2144 Australia
Ph: +61 2 9643 8338 Fax: +61 2 9643 8448

www.aquaquip.com.au
www.jetvac.com.au

JWW100 UNIVERSAL WALL FITTING

WALL FITTING INSTALLATION:

The JWW100 Universal Wall Fitting conveys pressurised water from the booster pump to the pressure pool cleaner.

Remove the JV23 Wall Adaptor from the bayonet body of the Wall Fitting and screw it by hand into the 1½" female thread on the dedicated supply line. Turn until tight – gently use a wrench if necessary.

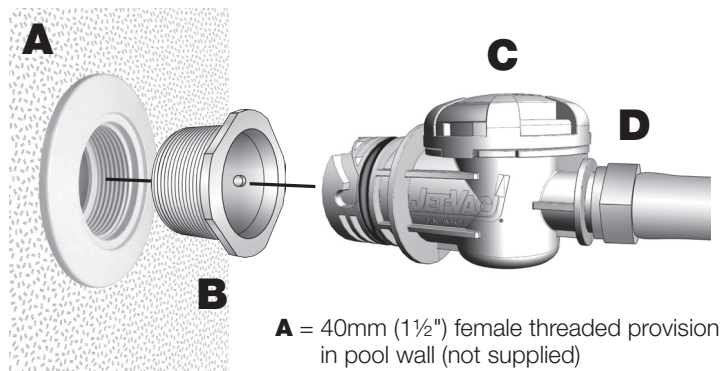
Take the bayonet end of the Wall Fitting and twist lock it clockwise into the Wall Adaptor a quarter turn to ensure a snug fit. Fit the mender nut over the barbed end of the Wall Fitting, then fit the feed hose – and tighten mender nut to secure.

Once the wall adaptor is secure you can now twist lock and unlock to remove bayonet body wall fitting with ease from the wall adaptor, which stays firmly screwed in place.

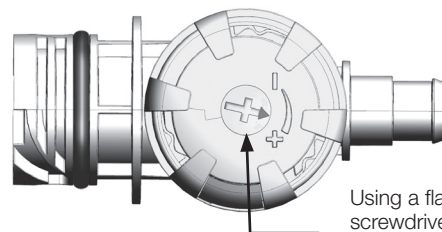
If necessary, the speed of the pool cleaner may be adjusted by turning the keyway as indicated. Never fully close the keyway valve.

The stainless steel mesh strainer should be periodically checked and cleaned.

The o-ring should also be lubricated regularly.



- A** = 40mm (1½") female threaded provision in pool wall (not supplied)
- B** = JV23 Wall Adaptor
- C** = JWW100 Bayonet Wall Fitting
- D** = D15P Mender Nut (not supplied)



Using a flat or Phillips Head screwdriver turn keyway towards plus or minus to adjust pressure and the speed of the cleaner.

MADE IN AUSTRALIA BY
AQUAQUIP

Automatic Pool Cleaners (Australia) Pty Ltd
40 Percy Street, Auburn NSW 2144 Australia
Ph: +61 2 9643 8338 Fax: +61 2 9643 8448

www.aquaquip.com.au
www.jetvac.com.au