



Daisy Covers and Rollers are designed to work together smoothly.

At this stage the cover is trimmed, installed and on the pool water.

1 Centre assembled roller to pool (roller is approx 150mm wider on each end). Align cord attachment (Feather Plugs) on the tube and mark about 100mm in from the end cut of the pool cover and punch a hole with the eyelet-punch supplied.

2 Install eyelets. Place the male half of the eyelet under the punched hole and female half on the top. Tap together on the ground.

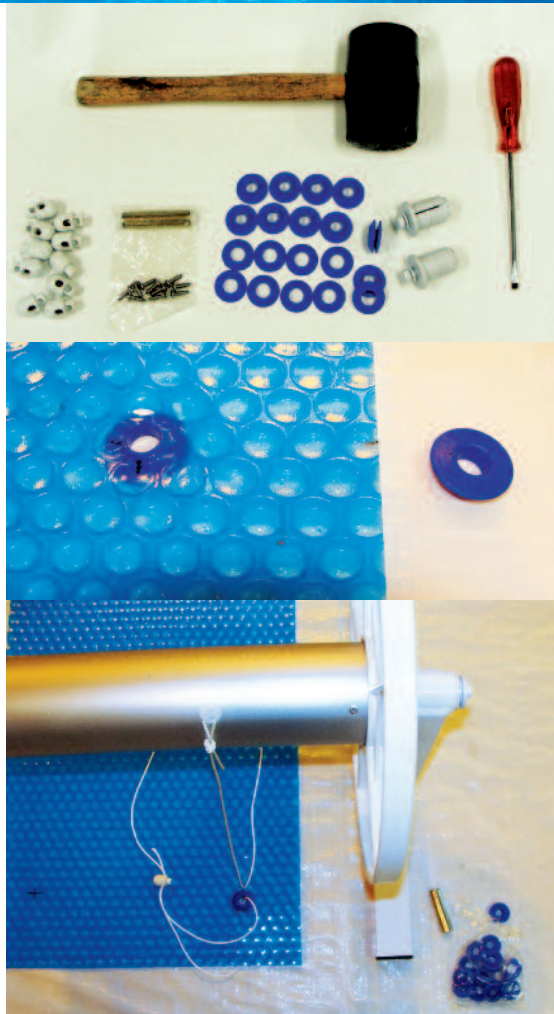
3 Secure cord to cover and roller. Tie a loop at one end and attach to Feather Plug on roller.

Thread other end through cover eyelet and tie off to cord adjuster or Bowline knot.

4 Repeat for all cord attachments. If your pool has a curved end then you may only need to use 3 or 4 anchoring points.

5 Adjust the cords with the cord adjuster so that the cover comes onto the roller tube evenly. Start from the centre and work out to the ends on both sides aiming to set cords to retrieve evenly.

Minor adjustments may be needed to fine tune the settings for smooth cover recovery.



5★

Daisy Saves

The quick and easy way to assemble a roller and pool cover.



Installing
5 Star Roller
& connecting
a Daisy Cover

Daisy Saves

Daisy is Australia's largest supplier of pool covers and rollers.

Your 5 Star Roller System comes with a 10 year Pro Rata Warranty.

Please retain proof of purchase

Call: 1300 551 811

Fax: 1300 885 242

daisy
pool covers & rollers

www.daisypoolcovers.com.au

daisy
pool covers & rollers

5 Star Roller Installation

A75 – ST – MKII – LP – L100 – FM –
CJ 100 - AGA 125ST – 125FM - Maxi

Note: There are two tube styles –
Fixed length and Expandable tube.

1 After carefully unpacking, start by placing the tube evenly across one end of the pool. (Deep end or roller location)
See Illustration picture 1 below

2 FM & LP models only - insert the castor wheels to the underside of the frame. With castors on the ground, tap the castor nut down through the frame with a soft hammer until they click together.
See Illustration 2 Assemble roller system.

3 Slide the handwheel over the end slug – align holes, insert stainless steel screws (6) and tighten. Repeat for other end.

4 Slide frame onto the end slug shaft.

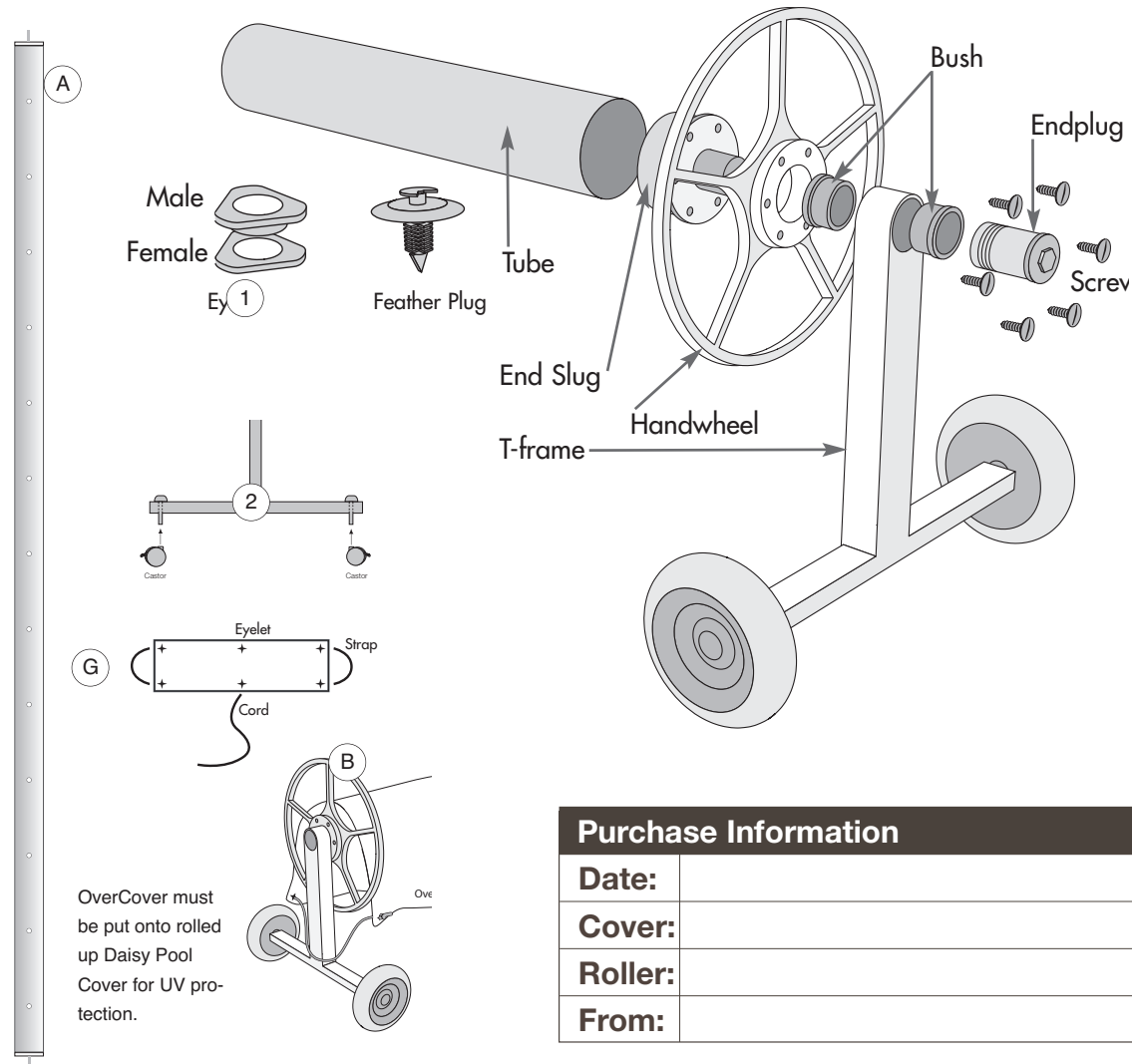
5 Insert end plug into End Slug Shaft. Finger tighten Bolt Head Nut only.

Frame and tube are now assembled.

6 Attach “cut to shape” cover to roller.

At this stage the Daisy pool cover is installed trimmed and ready on the pool water.

See page 4



5 Star Daisy Roller Kit

- A - One Tube
- Ene Slugs & Feather Plugs pre assembled
- B - Two Handwheels
- C - Two End Frames
- Bush's pre Assembled
- D - Two End Slugs pre Installed
- E - Twelve Screws
- F - Two End Plugs
- G - One OverCover

- FM - Four Casters
- LP - Four Casters
- MKII - Two Wheels
- Maxi - Four Casters
- All Stationary Roller - Skid Pads

Cover Connection Kit

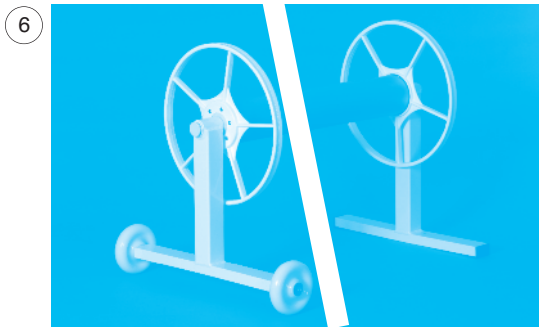
- 1- Ten Eyelets
- Ten male / Ten female
- 2 - One Eyelet Punch
- 3 - Ten Spring Loaded Adjusters
- 4- Ten 2metre Cords

Equipment Needed

- Rubber Mallet
- Screwdriver - Phillip Head
- Block of wood (for hole punching)

Purchase Information	
Date:	
Cover:	
Roller:	
From:	

Note: Each end may differ



Start assembly at the end where roller is to be located.



Step 3-Slide handwheel onto end slug



Locate roller at opposite end of extended area - Fold over to roll up.

