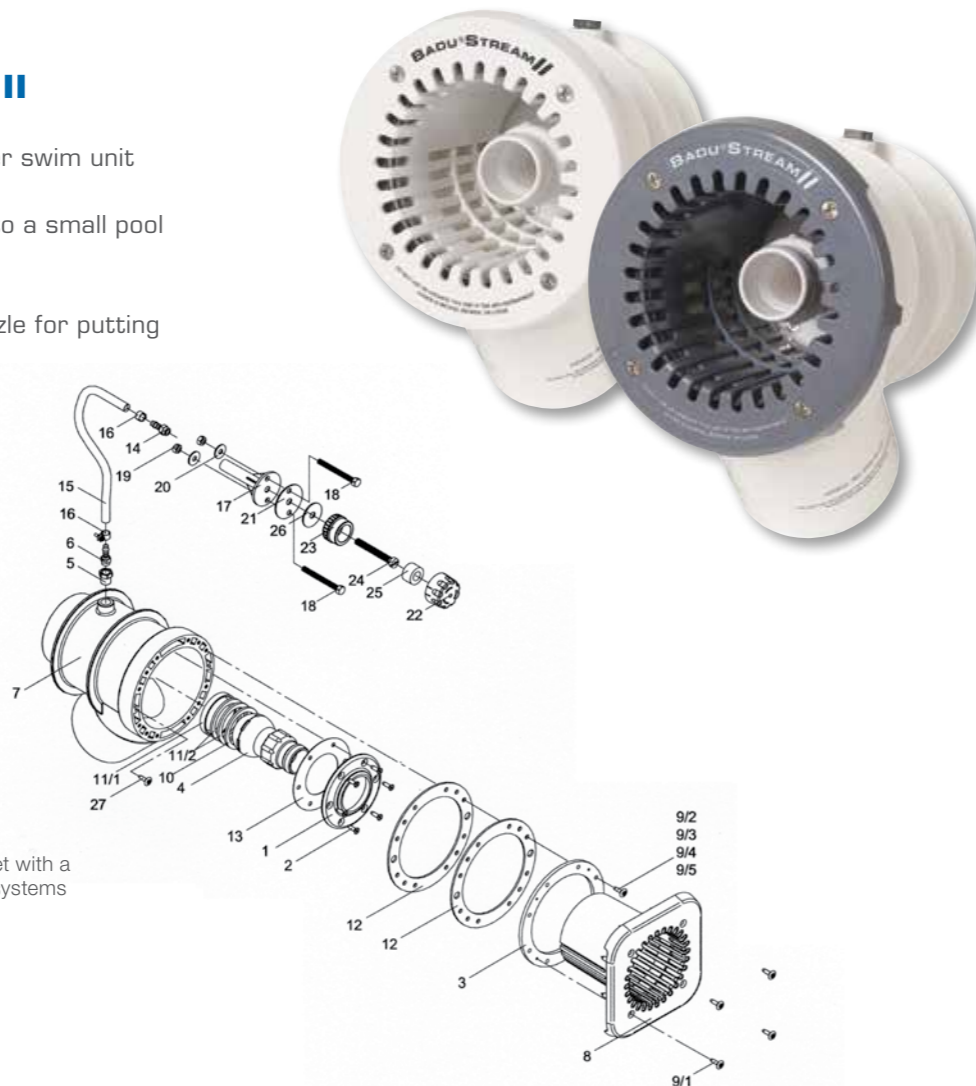


BADU[®] swimjet systems

STOCK CODE	DESCRIPTION
Stream Pack	<ul style="list-style-type: none"> • 2 x Speck Badu Stream II Jets, Grey or White cover • 2 x Speck 21/80-32SG, Single Phase 4.0 HP 1100 LPM pump • 2 x Air Buttons for Switch Boxes • 4 x Barrel Unions, 2 x Switch Boxes 240v/15 Amp
Stream Pack Remote	<ul style="list-style-type: none"> • 2 x Speck Badu Stream II Jets, Grey or White cover • 2 x Speck 21/80-32SG, Single Phase 4.0 HP 1100 LPM pump • 4 x barrel unions, 1 x Double Switch Box 240v/15 amp single phase with Remote Control

BADU STREAM II FEATURES:

- A compact, submerged counter swim unit
- Suitable for most pool designs
- Perfect for easy installation into a small pool wall space
- Low maintenance
- Large flow with directional nozzle for putting you in control of your work out
- Remote control available



Note: Line diagram depicts a Stream Jet with a square not round cover. All Stream Jet systems feature 2 x round covers.

CONTINENTAL WATER
Pool Products for Pure Enjoyment

1300 166 253 for Sales and Service
e sales@continentalwater.com.au / accounts@continentalwater.com.au ABN: 71 050 287 735

New South Wales Office
t (02) 8814 2800
f (02) 9838 7030

Victorian Office
t (03) 8794 3800
f (03) 9702 3941

Queensland Office
t (07) 3434 1100
f (07) 3219 2266

New Zealand Office
t 0011 64 9570 9570
f 0015 64 9527 7641

BADU[®] swimjet systems

a gymnasium in your pool

speck
pumps 



CONTINENTAL WATER

Pool Products for Pure Enjoyment

Swim. Relax. Play.

Our range of BADU Swim Jet systems turn your pool into an aquatic water park to suit any pool or lifestyle.



Aquatic exercise is one of the best forms of exercise you can do. Gentle and soothing with no stress on the joints or bones - swimming has historically been a superior method for staying in shape.

Continental Water is the exclusive distributor of BADU SwimJet systems; powered by Speck Pumps. Now you can create an aquatic workout centre and water park in your own backyard.

You can swim, play, exercise and relax with a BADU SwimJet system and enjoy all the benefits these quality systems deliver directly into your home pool.

You'll burn calories and strengthen muscles, soothe away aches and pains or enjoy some fun time with the kids - a BADU SwimJet System delivers an addition to your home pool ALL the family will enjoy.

BADU SwimJet Systems are synonymous with the highest level of quality from German engineering - In fact 95% of all SwimJet Systems installed in the U.S. are made by Speck Pumps. Clear proof that our products are the best!



WILL IT FIT IN MY POOL?

The BADU SwimJet system is recommend for a minimum pool size of 4.2m x 2.1m. Whatever type of pool you own or plan to build our systems will increase overall use and value. Outfitted with a Badu SwimJet System, your pool or spa can become a lap pool, treadmill or a place for fun and relaxation.

HOW DO THEY WORK?

A BADU SwimJet System creates a current in still water. The water is pumped into a pool through two specifically engineered large recessed jet nozzles which are mounted in an underwater housing in the pool wall. The Speck pumps work specifically on the SwimJet nozzles to create a current of up to 1,100 LPM per jet. The jet nozzles can be adjusted to change the depth and width of the current for a hard core swim session through to low impact water exercise. As a bonus, a massage hose can be attached to a jet nozzle to deliver a pulsating, relaxing massage.

ARE THEY ADJUSTABLE?

Yes, the flow of water from the jets is adjustable from the unit itself or, with the addition of a Speck Remote Control unit, you can switch the system on or off from anywhere in or around your pool.

ARE THEY SAFE?

All BADU SwimJet Systems comply fully with all Australian safety regulations, particularly with regard to electrical and pool and spa anti-entrapment measures.



FEATURES

Flush Mounted to your pool wall.

The top selling system in the USA.

BADU SwimJet Systems are simple to service.

Our systems contain NO hydraulic oil pumps or oil lines.

A BADU SwimJet Stream II operates with 2 x 4HP German engineered pumps. All our systems operate with a quality Speck Pump.

A BADU SwimJet system has adjustable jet nozzles.

Our BADU SwimJet systems come with an air mixture valve.

BENEFITS:

Our systems take up minimal space in your pool unlike other systems which can take up to half a metre of valuable pool space. Plus they look great.

The BADU SwimJet system is the market leader in the USA. A clear indicator that it is a premium, quality product.

They have NO moving parts in the pool itself. They can be serviced by any swimming pool technician.

A hydraulic oil pump or line could leak and require a specialised hydraulic expert to repair it. NOT TO MENTION the hassle of having to deal with a hydraulic oil leak in the pool water!

Our wet end components come with a 5 year warranty for peace of mind and a 2 year warranty on the motors. **PLUS they are so much quieter than a system which is actually housed in the pool.**

You can adjust the flow simply by turning the nozzle clockwise or anticlockwise so you can chose the intensity of your work out. The direction of the jet can also be adjusted so the water can be directed specifically to suit your work out or play for the kids.

If you are swimming against the flow the air mixture valve allows you to adjust the aeration so you are not swimming against a face of bubbles.