



**Owner's Manual**  
**Notice d'utilisation**  
**Manual del Propietario**  
For professional use only

**Do not use this equipment before reading this manual!**

# ***RentSpray Plus***

## ***Airless Sprayer***



**Model Number:**

<b>Skid Complete</b>	<b>766-3000</b>
<b>High Rider Complete</b>	<b>766-3010</b>
<b>Low Rider Complete</b>	<b>766-3015</b>

**NOTE:** This manual contains important warnings and instructions. Please read and retain for reference.

# Table of Contents

Safety Precautions .....	2
General Description .....	4
Operation .....	4
Setup .....	4
Preparing to Paint .....	4
Painting .....	5
Pressure Relief Procedure .....	5
Spraying .....	6
Spraying Technique .....	6
Practice .....	6
Cleanup .....	7
Maintenance .....	7
General Repair and Service Notes .....	7
Replacing the Filters .....	8
Replacing the Motor .....	8
Replacing the Motor Brushes .....	8
Replacing the Gears .....	9
Replacing the Transducer .....	9
Replacing the PRIME/SPRAY Valve .....	10
Servicing the Fluid Section .....	10
Troubleshooting .....	12
Parts Listings .....	38
Main Assembly .....	38
Motor Assembly .....	39
Gear Box Assembly .....	40
Fluid Section Assembly .....	42
Suction Set Assembly .....	44
Stand Assembly .....	44
Low Rider Assembly .....	45
High Rider Assembly .....	46
Siphon Tube Assembly (High Rider Assembly) .....	46
Accessories .....	47
Labels .....	47
Electrical Schematic .....	49
Warranty .....	52

## Safety Precautions

This manual contains information that must be read and understood before using the equipment. When you come to an area that has one of the following symbols, pay particular attention and make certain to heed the safeguard.



This symbol indicates a potential hazard that may cause serious injury or loss of life. Important safety information will follow.



This symbol indicates a potential hazard to you or to the equipment. Important information that tells how to prevent damage to the equipment or how to avoid causes of minor injuries will follow.

**NOTE:** Notes give important information which should be given special attention.



**HAZARD: Injection injury - A high pressure fluid stream produced by this equipment can pierce the skin and underlying tissues, leading to serious injury and possible amputation. See a physician immediately.**

**DO NOT TREAT AN INJECTION INJURY AS A SIMPLE CUT! Injection can lead to amputation. See a physician immediately.**

**The maximum operating range of the sprayer is 3200 PSI/221BAR fluid pressure.**

### PREVENTION:

- NEVER aim the gun at any part of the body.

- NEVER allow any part of the body to touch the fluid stream. DO NOT allow body to touch a leak in the fluid hose.
- NEVER put hand in front of the gun. Gloves will not provide protection against an injection injury.
- ALWAYS lock gun trigger, shut pump off, and release all pressure before servicing, cleaning tip or guard, changing tip, or leaving unattended. Pressure will not be released by turning off the motor. The PRIME/SPRAY valve handle must be turned to PRIME to relieve the pressure. Refer to the PRESSURE RELIEF PRESSURE described in the pump manual.
- ALWAYS keep tip guard in place while spraying. The tip guard provides some protection but is mainly a warning device.
- ALWAYS remove the spray tip before flushing or cleaning the system.
- Paint hose can develop leaks from wear, kinking and abuse. A leak can inject material into the skin. Inspect the hose before each use.
- NEVER use a spray gun without a working trigger lock and trigger guard in place.
- All accessories must be rated at or above 3200 PSI/221 BAR. This includes spray tips, guns, extensions, and hose.

### NOTE TO PHYSICIAN:

**Injection into the skin is a traumatic injury. It is important to treat the injury as soon as possible. DO NOT delay treatment to research toxicity. Toxicity is a concern with some coatings injected directly into the blood stream. Consultation with a plastic surgeon or reconstructive hand surgeon may be advisable.**

**HAZARD: EXPLOSION AND FIRE - Solvent and paint fumes can explode or ignite. Severe injury and/or property damage can occur.**

### PREVENTION:

- Provide extensive exhaust and fresh air introduction to keep the air within the spray area free from accumulation of flammable vapors.
- Avoid all ignition sources such as static electricity sparks, electrical appliances, flames, pilot lights, hot objects, and sparks from connecting and disconnecting power cords or working light switches.
- Do not smoke in spray area.
- Fire extinguisher must be present and in good working order.
- Place pump at least 20 feet (6.1 m) from the spray object in a well ventilated area (add more hose if necessary). Flammable vapors are often heavier than air. Floor area must be extremely well ventilated. The pump contains arcing parts that emit sparks and can ignite vapors.
- The equipment and objects in and around the spray area must be properly grounded to prevent static sparks.
- Use only conductive or grounded high-pressure fluid hose. Gun must be grounded through hose connections.
- Power cord must be connected to a grounded circuit.
- Always flush unit into separate metal container, at low pump pressure, with spray tip removed. Hold gun firmly against side of container to ground container and prevent static sparks.
- Follow material and solvent manufacturer's warnings and instructions.
- Use extreme caution when using materials with a flashpoint below 70° F (21° C). Flashpoint is the temperature at which a fluid can produce enough vapors to ignite.
- Plastic can cause static sparks. Never hang plastic to enclose spray area. Do not use plastic drop cloths when spraying flammable materials.
- Use lowest possible pressure to flush equipment.

## GAS ENGINE (WHERE APPLICABLE)

Always place sprayer outside of structure in fresh air. Keep all solvents away from engine exhaust. Never fill fuel tank with a running or hot engine. Hot surface can ignite spilled fuel. Always attach ground wire from pump to a grounded object. Refer to engine owner's manual for complete safety information.

**HAZARD: EXPLOSION HAZARD DUE TO INCOMPATIBLE MATERIALS - will cause severe injury or property damage.**

### PREVENTION:

- Do not use materials containing bleach or chlorine.
- Do not use halogenated hydrocarbon solvents such as bleach, mildewcide, methylene chloride and 1,1,1 - trichloroethane. They are not compatible with aluminum.
- Contact your coating supplier about the compatibility of material with aluminum.

**HAZARD: HAZARDOUS VAPORS - Paints, solvents, insecticides, and other materials can be harmful if inhaled or come in contact with body. Vapors can cause severe nausea, fainting, or poisoning.**

### PREVENTION:

- Use a respirator or mask if vapors can be inhaled. Read all instructions supplied with the mask to be sure it will provide the necessary protection.
- Wear protective eyewear.
- Wear protective clothing as required by coating manufacturer.

**HAZARD: GENERAL - Can cause severe injury or property damage.**

### PREVENTION:

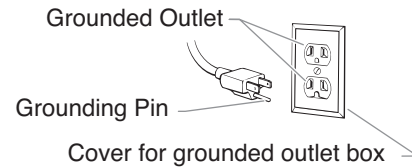
- Read all instructions and safety precautions before operating equipment.
- Follow all appropriate local, state, and national codes governing ventilation, fire prevention, and operation.
- The United States Government Safety Standards have been adopted under the Occupational Safety and Health Act (OSHA). These standards, particularly part 1910 of the General Standards and part 1926 of the Construction Standards, should be consulted.
- Use only manufacturer authorized parts. User assumes all risks and liabilities when using parts that do not meet the minimum specifications and safety devices of the pump manufacturer.
- Before each use, check all hoses for cuts, leaks, abrasion or bulging of cover. Check for damage or movement of couplings. Immediately replace hose if any of those conditions exist. Never repair a paint hose. Replace with a grounded high-pressure hose.
- All hoses, swivels, guns, and accessories must be pressure rated at or above 3200PSI/221 BAR.
- Do not spray outdoors on windy days.
- Wear clothing to keep paint off skin and hair.
- Always unplug cord from outlet before working on equipment.

## Grounding Instructions

This product must be grounded. In the event of an electrical short circuit, grounding reduces the risk of electric shock by providing an escape wire for the electric current. This product is equipped with a cord having a grounding wire with an appropriate grounding plug. The plug must be plugged into an outlet that is properly installed and grounded in accordance with all local codes and ordinances.

**DANGER** — Improper installation of the grounding plug can result in a risk of electric shock. If repair or replacement of the cord or plug is necessary, do not connect the green grounding wire to either flat blade terminal. The wire with insulation having a green outer surface with or without yellow stripes is the grounding wire and must be connected to the grounding pin.

Check with a qualified electrician or serviceman if the grounding instructions are not completely understood, or if you are in doubt as to whether the product is properly grounded. Do not modify the plug provided. If the plug will not fit the outlet, have the proper outlet installed by a qualified electrician.

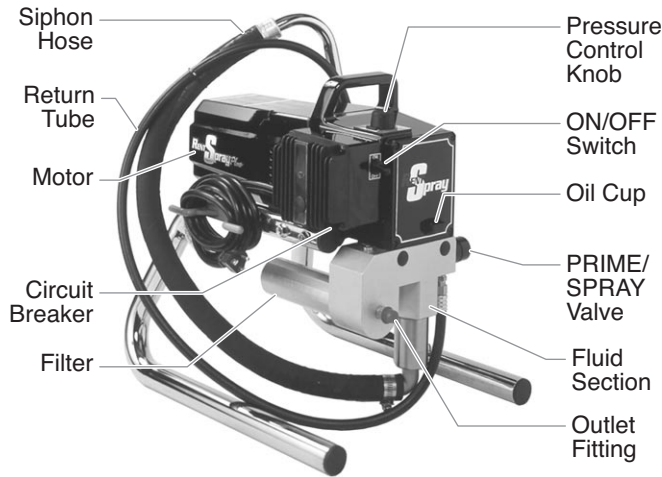


**⚠ CAUTION**

Use only a 3-wire extension cord that has a 3-blade grounding plug and a 3-slot receptacle that will accept the plug on the product. Make sure your extension cord is in good condition. When using an extension cord, be sure to use one heavy enough to carry the current your product will draw. An undersized cord will cause a drop in line voltage resulting in loss of power and overheating. A 12 gauge cord is recommended. If an extension cord is to be used outdoors, it must be marked with the suffix W-A after the cord type designation. For example, a designation of SJTW-A would indicate that the cord would be appropriate for outdoor use.

## General Description

This airless sprayer is a precision power tool used for spraying many types of materials. Read and follow this instruction manual carefully for proper operating instructions, maintenance, and safety information.



## Operation

### WARNING

**This equipment produces a fluid stream at extremely high pressure. Read and understand the warnings in the Safety Precautions section at the front of this manual before operating this equipment.**

### Setup

Perform the following procedure before plugging in the power cord of an electric unit.

1. Ensure that the suction set/siphon tube and the return hose are attached and secure.
2. Using a wrench, attach a minimum of 50' of 1/4" nylon airless spray hose to the unit. Tighten securely.
3. Attach an airless spray gun to the spray hose. Using two wrenches (one on the gun and one on the hose), tighten securely.

**NOTE: Do not attach the tip to the spray gun yet. Remove the tip if it is already attached.**

### WARNING

**Make sure all airless hoses and spray guns are electrically grounded and rated for at least 3300 psi (228 bar) fluid pressure.**

4. Make sure the pressure control knob is in its OFF position in the black zone.
5. Make sure the ON/OFF switch is in its OFF position.
6. Fill the wet cup with one tablespoon of piston seal lubricant (Piston Lube).

### CAUTION

**Never operate unit for more than ten seconds without fluid. Operating this unit without fluid will cause unnecessary wear to the packings.**

7. Make sure the electrical service is 120V, 15 amp minimum.
8. Plug the power cord into a properly grounded outlet at least 25' from the spray area.

### CAUTION

**Always use a minimum 12 gauge, three-wire extension cord with a grounded plug. Never remove the third prong or use an adapter.**

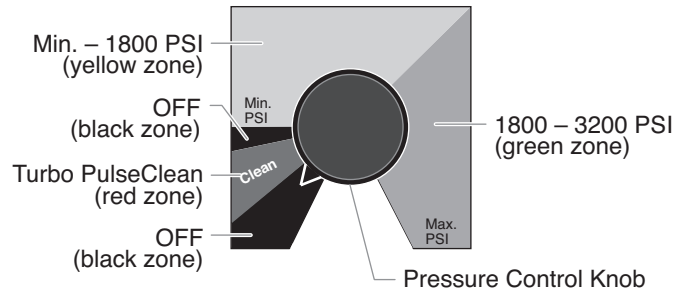
## Preparing a New Sprayer

If this unit is new, it is shipped with test fluid in the fluid section to prevent corrosion during shipment and storage. This fluid must be thoroughly cleaned out of the system with mineral spirits before you begin spraying.

### CAUTION

**Always keep the trigger lock on the spray gun in the locked position while preparing the system.**

1. Place the suction tube into a container of mineral spirits that has a flash point of 140°F (60°C) or above.
2. Place the return hose into a metal waste container.
3. Set the pressure to minimum by turning the pressure control knob to the "Min" setting in the yellow zone.



4. Move the PRIME/SPRAY valve down to the PRIME position.
5. Turn on the unit by moving the ON/OFF switch to the ON position.
6. Allow the sprayer to run for 15–30 seconds to flush the test fluid out through the return hose and into the waste container.
7. Turn off the unit by moving the ON/OFF switch to the OFF position.

## Preparing to Paint

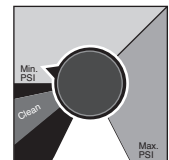
Before painting, it is important to make sure that the fluid in the system is compatible with the paint that is going to be used.

**NOTE: Incompatible fluids and paint may cause the valves to become stuck closed, which would require disassembly and cleaning of the sprayer's fluid section.**

### CAUTION

**Always keep the trigger lock on the spray gun in the locked position while preparing the system.**

1. Place the suction tube into a container of the appropriate solvent for the material being sprayed (refer to recommendations of the material manufacturer). An example of the appropriate solvent is water for latex paint.
2. Place the return hose into a metal waste container.
3. Set the pressure to minimum by turning the pressure control knob to the "Min" setting in the yellow zone.
4. Move the PRIME/SPRAY valve down to the PRIME position.
5. Turn on the unit by moving the ON/OFF switch to the ON position.
6. Allow the sprayer to run for 15–30 seconds to flush the old solvent out through the return hose and into the metal waste container.
7. Turn off the unit by moving the ON/OFF switch to the OFF position.



**NOTE: Make sure that the spray gun does not have a tip or tip guard installed.**



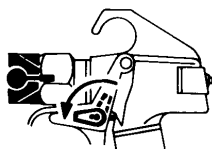
8. Move the PRIME/SPRAY valve up to the SPRAY position.
9. Turn on the unit.
10. Unlock the gun by turning the gun trigger lock to the unlocked position.

**⚠ WARNING**

**Ground the gun by holding it against the edge of the metal container while flushing. Failure to do so may lead to a static electric discharge, which may cause a fire.**



11. Trigger the gun into the metal waste container until the old solvent is gone and fresh solvent is coming out of the gun.
12. Lock the gun by turning the gun trigger lock to the locked position.
13. Set down the gun and increase the pressure by turning the pressure control knob slowly clockwise into the green zone.
14. Check the entire system for leaks. If leaks occur, turn off the unit and follow the "Pressure Relief Procedure" in this manual before tightening any fittings or hoses.
15. Follow the "Pressure Relief Procedure" in this manual before changing from solvent to paint.



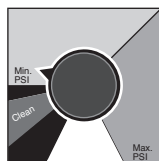
Trigger lock in locked position.

**⚠ WARNING**

**Be sure to follow the pressure relief procedure when shutting the unit down for any purpose, including servicing or adjusting any part of the spray system, changing or cleaning spray tips, or preparing for cleanup.**

### Painting

1. Place the suction tube into a container of paint.
2. Place the return hose into a metal waste container.
3. Set the pressure to minimum by turning the pressure control knob to the "Min" setting in the yellow zone.
4. Move the PRIME/SPRAY valve down to the PRIME position.
5. Turn on the unit by moving the ON/OFF switch to the ON position.
6. Allow the sprayer to run until paint is coming through the return hose into the metal waste container.
7. Turn off the unit by moving the ON/OFF switch to the OFF position.
8. Remove the return hose from the waste container and place it in its operating position above the container of paint.
9. Move the PRIME/SPRAY valve up to the SPRAY position.
10. Turn on the unit.
11. Unlock the gun by turning the gun trigger lock to the unlocked position.



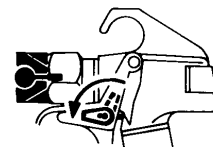
**⚠ WARNING**

**Ground the gun by holding it against the edge of the metal container while flushing. Failure to do so may lead to a static electric discharge, which may cause a fire.**



12. Trigger the gun into the metal waste container until all air and solvent is flushed from the spray hose and paint is flowing freely from the gun.

13. Lock the gun by turning the gun trigger lock to the locked position.
14. Turn off the unit.
15. Attach tip guard and tip to the gun as instructed by the tip guard or tip manuals.



Trigger lock in locked position.

**⚠ WARNING**

**POSSIBLE INJECTION HAZARD. Do not spray without the tip guard in place. Never trigger the gun unless the tip is in either the spray or the unclog position. Always engage the gun trigger lock before removing, replacing or cleaning tip.**

16. Turn on the unit.
17. Increase the pressure by turning the pressure control knob slowly clockwise toward the green zone and test the spray pattern on a piece of cardboard. Adjust the pressure control knob until the spray from the gun is completely atomized. Try to keep the pressure control knob at the lowest setting that maintains good atomization.

**NOTE: Turning the pressure up higher than needed to atomize the paint will cause premature tip wear and additional overspray.**

### Pressure Relief Procedure

**⚠ WARNING**

**Be sure to follow the pressure relief procedure when shutting the unit down for any purpose, including servicing or adjusting any part of the spray system, changing or cleaning spray tips, or preparing for cleanup.**

1. Lock the gun by turning the gun trigger lock to the locked position.
2. Turn off the unit by moving the ON/OFF switch to the OFF position.
3. Turn the pressure control knob counterclockwise to its OFF position in the black zone.
4. Unlock the gun by turning the gun trigger lock to the unlocked position.
5. Hold the metal part of the gun firmly to the side of a metal container to ground the gun and avoid a build up of static electricity.
6. Trigger the gun to remove any pressure that may still be in the hose.
7. Lock the gun by turning the gun trigger lock to the locked position.
8. Move the PRIME/SPRAY valve down to the PRIME position.



Trigger lock in locked position.



# Spraying

## ⚠ WARNING

**POSSIBLE INJECTION HAZARD.** Do not spray without the tip guard in place. Never trigger the gun unless the tip is in either the spray or the unclog position. Always engage the gun trigger lock before removing, replacing, or cleaning tip.

## Spraying Technique

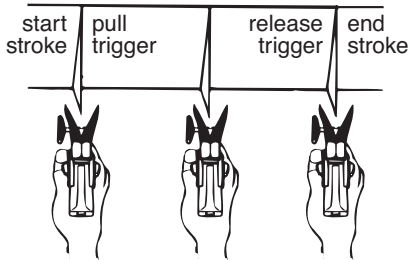
The following techniques, if followed, will assure professional painting results.

Hold the gun perpendicular to the surface and always at equal distance from the surface. Depending on the type of material, surface, or desired spray pattern, the gun should be held at a distance of 12 to 14 inches (30 to 35 cm).

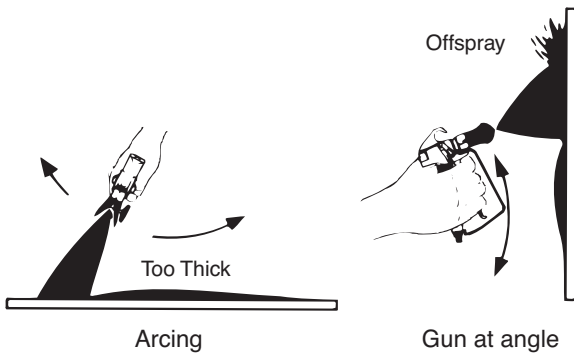
Move the gun either across or up and down the surface at a steady rate. Moving the gun at a consistent speed conserves material and provides even coverage. The correct spraying speed allows a full, wet coat of paint to be applied without runs or sags.

Holding the gun closer to the surface deposits more paint on the surface and produces a narrower spray pattern. Holding the gun farther from the surface produces a thinner coat and wider spray pattern. If runs, sags, or excessive paint occur, change to a spray tip with a smaller orifice. If there is an insufficient amount of paint on the surface or you desire to spray faster, a larger orifice tip should be selected.

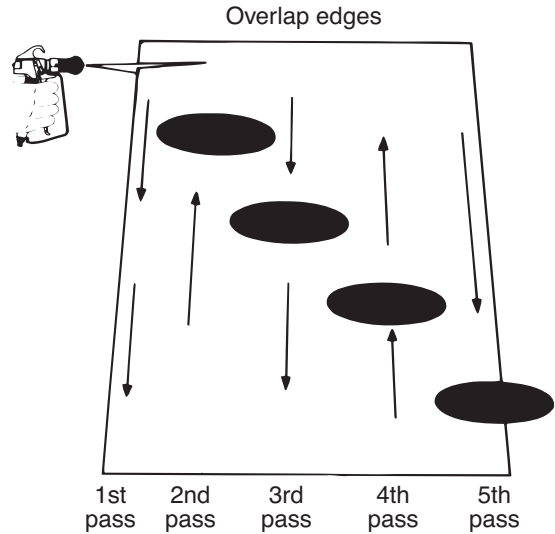
Maintain uniform spray stroke action. Spray alternately from left to right and right to left. Begin movement of the gun before the trigger is pulled.



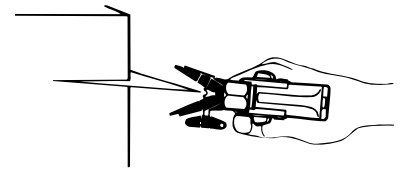
Avoid arcing or holding the gun at an angle. This will result in an uneven finish.



Proper lapping (overlap of spray pattern) is essential to an even finish. Lap each stroke. If you are spraying horizontally, aim at the bottom edge of the preceding stroke, so as to lap the previous pattern by 50%.



For corners and edges, split the center of the spray pattern on the corner or edge and spray vertically so that both adjoining sections receive approximately even amounts of paint.



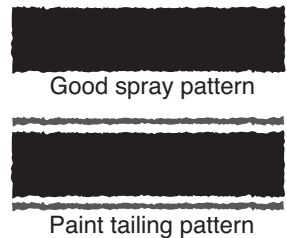
When spraying with a shield, hold it firmly against the surface. Angle the spray gun slightly away from the shield and toward the surface. This will prevent paint from being forced underneath.

Shrubs next to houses should be tied back and covered with a canvas cloth. The cloth should be removed as soon as possible. Titan gun extensions are extremely helpful in these situations.

Nearby objects such as automobiles, outdoor furniture, etc. should be moved or covered whenever in the vicinity of a spray job. Be careful of any other surrounding objects that could be damaged by overspray.

## Practice

1. Be sure that the paint hose is free of kinks and clear of objects with sharp cutting edges.
2. Turn the pressure control knob counterclockwise to its lowest setting.
3. Turn the PRIME/SPRAY valve up to its SPRAY position.
4. Turn the pressure control knob clockwise to its highest setting. The paint hose should stiffen as paint begins to flow through it.
5. Unlock the gun trigger lock.
6. Trigger the spray gun to bleed air out of the hose.
7. When paint reaches the spray tip, spray a test area to check the spray pattern.
8. Use the lowest pressure setting necessary to get a good spray pattern. If the pressure is set too high, the spray pattern will be too light. If the pressure is set too low, tailing will appear or the paint will spatter out in gobs rather than in a fine spray.



# Cleanup



## Special cleanup instructions for use with flammable solvents:

- Always flush spray gun preferably outside and at least one hose length from spray pump.
- If collecting flushed solvents in a one gallon metal container, place it into an empty five gallon container, then flush solvents.
- Area must be free of flammable vapors.
- Follow all cleanup instructions.

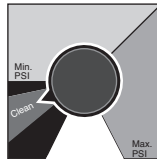


The sprayer, hose, and gun should be cleaned thoroughly after daily use. Failure to do so permits material to build up, seriously affecting the performance of the unit.



Always spray at minimum pressure with the gun nozzle tip removed when using mineral spirits or any other solvent to clean the sprayer, hose, or gun. Static electricity buildup may result in a fire or explosion in the presence of flammable vapors.

1. Follow the “Pressure Relief Procedure” found in the Operation section of this manual.
2. Remove the gun tip and tip guard and clean with a brush using the appropriate solvent.
3. Place the suction tube into a container of the appropriate solvent (refer to recommendations of the material manufacturer). An example of the appropriate solvent is water for latex paint.
4. Place the return hose into a metal waste container.
5. Move the PRIME/SPRAY valve down to its PRIME position.
6. Set the pressure to Turbo PulseClean by turning the pressure control knob to its CLEAN position in the red zone.
7. Turn on the unit by moving the ON/OFF switch to the ON position.
8. Allow the solvent to circulate through the unit and flush the paint out of the return hose into the metal waste container.
9. Turn off the unit by moving the ON/OFF switch to the OFF position.
10. Move the PRIME/SPRAY valve up to its SPRAY position.
11. Turn the unit on.



Ground the gun by holding it against the edge of the metal container while flushing. Failure to do so may lead to a static electric discharge, which may cause a fire.



12. Trigger the gun into the metal waste container until the paint is flushed out of the hose and solvent is coming out of the gun.
13. Continue to trigger the spray gun into the waste container until the solvent coming out of the gun is clean.

**NOTE:** For long-term or cold weather storage, pump mineral spirits through the entire system.  
For short-term storage when using latex paint, pump water mixed with Titan Liquid Shield Plus through the entire system (see the Accessories section of this manual for part number).

14. Follow the “Pressure Relief Procedure” found in the Operation section of this manual.
15. Unplug the unit and store in a clean, dry area.



Do not store the unit under pressure.

## Maintenance



Before proceeding, follow the Pressure Relief Procedure outlined previously in this manual. Additionally, follow all other warnings to reduce the risk of an injection injury, injury from moving parts or electric shock. Always unplug the sprayer before servicing!

## General Repair and Service Notes

The following tools are needed when repairing this sprayer:

Phillips Screwdriver	3/8" Hex Wrench
Needle Nose Pliers	5/16" Hex Wrench
Adjustable Wrench	1/4" Hex Wrench
Rubber Mallet	3/16" Hex Wrench
Flat-blade Screwdriver	5/32" Hex Wrench

1. Before repairing any part of the sprayer, read the instructions carefully, including all warnings.



Never pull on a wire to disconnect it. Pulling on a wire could loosen the connector from the wire.

2. Test your repair before regular operation of the sprayer to be sure that the problem is corrected. If the sprayer does not operate properly, review the repair procedure to determine if everything was done correctly. Refer to the Troubleshooting Charts to help identify other possible problems.
3. Make certain that the service area is well ventilated in case solvents are used during cleaning. Always wear protective eyewear while servicing. Additional protective equipment may be required depending on the type of cleaning solvent. Always contact the supplier of solvents for recommendations.
4. If you have any further questions concerning your TITAN Airless Sprayer, call TITAN:

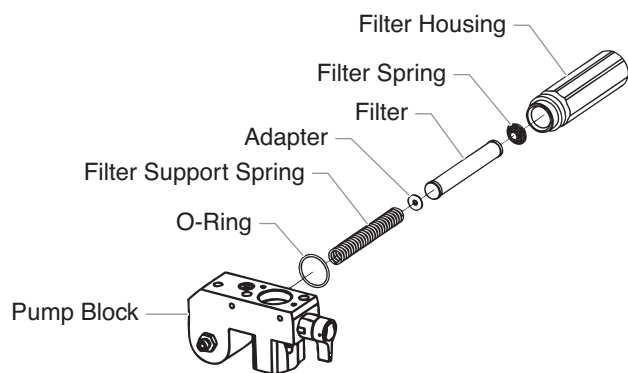
Customer Service (U.S.)	1-800-526-5362
Fax	1-800-528-4826
Customer Service (Canada)	1-800-565-8665
Fax	1-905-856-8496
Customer Service (International)	1-201-337-1240
Fax	1-201-405-7449

## Replacing the Filters

### Pump Filter

1. Loosen and remove the filter housing by hand.
2. Slip the filter off of the filter support spring.
3. Inspect the filter. Based on inspection, clean or replace the filter.
4. Inspect the o-ring. Based on inspection, clean or replace the o-ring.
5. Slide the new or cleaned filter over the filter support spring with the adapter in place. Push the filter into the center of the pump block.
6. Slide the filter housing over the filter and thread it into the pump block until secure.

**NOTE: The filter housing should be hand-tightened, but make sure the filter housing is seated fully into the pump block.**

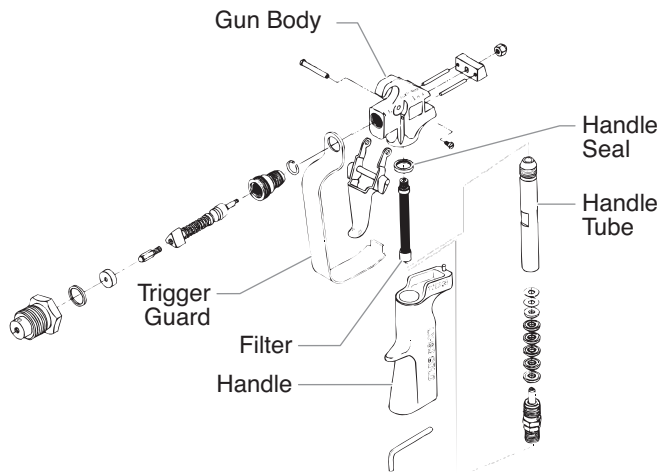


### Gun Filter

1. Move the gun trigger lock to the unlocked position.
2. Loosen and remove the handle from the gun body.
3. Turning clockwise, unscrew the filter from the gun body.

**NOTE: Left-handed threads require turning the filter clockwise to remove.**

4. Turning counterclockwise, screw the new or cleaned filter into the gun body.
5. Make sure the handle seal is in position and thread the handle into the gun body until secure.
6. Move the gun trigger lock to the locked position.



**NOTE: For more detail, part number information, and assembly drawings at larger scale, please see the LX -80 Gold Professional Airless Gun Owner's Manual (#313-687).**

## Replacing the Motor

1. Unplug the unit.
2. Loosen and remove the four motor cover screws. Remove the motor cover.
3. Disconnect the black and red wires coming from the pump housing. Disconnect the black and red wires from the capacitors. Disconnect the black and red wires from the motor.
4. Remove the capacitors from their mounting clip.
5. Loosen and remove the four motor mounting screws.
6. Pull the motor out of the pump housing.

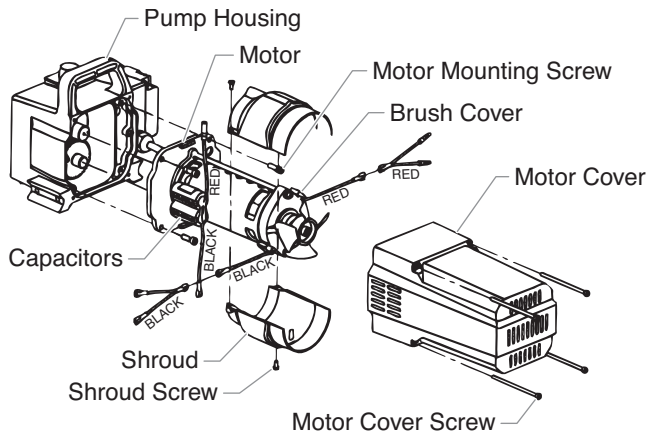
**NOTE: If the motor will not dislodge from the pump housing:**

- Remove the front cover plate.
- Using a rubber mallet, carefully tap on the front of the motor crankshaft that extends through the connecting rod.

7. With the motor removed, inspect the gears in the pump housing for damage or excessive wear. Replace the gears, if necessary.
8. Install the new motor into the pump housing.

**NOTE: Rotate the motor fan manually until the armature gear engages with the mating gear in the pump housing.**

9. Secure the motor with the four motor mounting screws.
10. Push the capacitors into their clip on the new motor.
11. Reconnect the wires (refer to the electrical schematic in the Parts List section of this manual).
12. Slide the motor cover over the motor. Secure the motor cover with the four motor cover screws.



## Replacing the Motor Brushes

Perform this procedure using Motor Brush Kit P/N 704-276.

1. Loosen and remove the four motor cover screws. Remove the motor cover.
2. Loosen and remove the two shroud screws. Remove the shroud.
3. Using a small screwdriver, pry off the two plastic brush covers.
4. Disconnect the black and red wires from the motor brushes. Remove the motor brushes.
5. Install the new motor brushes and snap on the plastic brush covers.
6. Reconnect the black and red wires from the motor brushes (refer to the electrical schematic in the Parts List section of this manual).
7. Position the shroud over the motor fan. Secure the shroud with the two shroud screws.
8. Slide the motor cover over the motor. Secure the motor cover with the four motor cover screws.



## Replacing the Gears

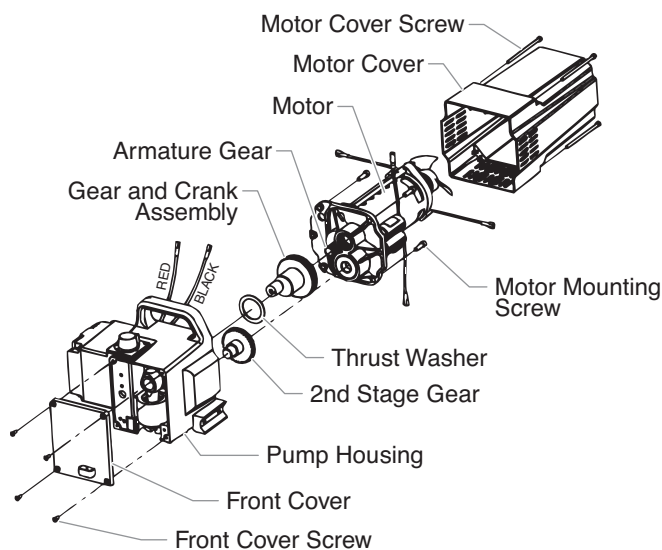
1. Loosen and remove the four motor cover screws. Remove the motor cover.
2. Disconnect the black and red wires coming from the pump housing.
3. Loosen and remove the four motor mounting screws.
4. Pull the motor out of the pump housing.

**NOTE: If the motor will not dislodge from the pump housing:**

- Remove the front cover plate.
- Using a rubber mallet, carefully tap on the front of the motor crankshaft that extends through the connecting rod.

5. Inspect the armature gear on the end of the motor for damage or excessive wear. If this gear is completely worn out, replace the entire motor.
6. Remove and inspect the 2nd stage gear for damage or excessive wear. Replace if necessary.
7. Remove and inspect the gear and crank assembly for damage or excessive wear. Replace if necessary.
8. Reassemble the pump by reversing the above steps. During reassembly, make sure the thrust washers is in place.

**NOTE: Refill the gear box with five ounces of Lubriplate (P/N 314-171).**



## Replacing the Transducer

1. Loosen and remove the four front cover screws. Remove the front cover.
2. Stop the sprayer at the bottom of its stroke so that the piston is in its lowest position. Turn off and unplug the sprayer.

**WARNING**

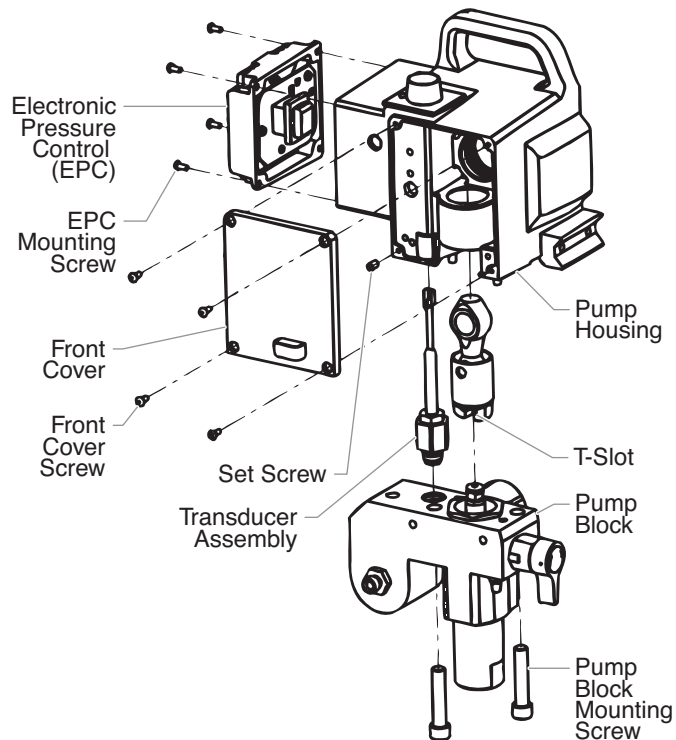
Before proceeding, follow the Pressure Relief Procedure outlined previously in this manual. Additionally, follow all other warnings to reduce the risk of an injection injury, injury from moving parts or electric shock. Always unplug the sprayer before servicing!

3. Tilt the pump back for easy access to the fluid section.

4. Using a 3/8" hex wrench, loosen and remove the two pump block mounting screws.
5. Pull the pump block down approximately 1/2" from the pump housing to clear the transducer.
6. Slide the pump block and piston rod forward until the piston rod is out of the T-slot on the connecting rod.
7. Loosen and remove the four electronic pressure control (EPC) mounting screws.
8. Pull back the EPC for access to the transducer plug-in.
9. Unplug the transducer connection from EPC board location "JP3" (refer to the electrical schematic in the Parts List section of this manual).
10. Using an 1/8" hex wrench, loosen and remove the set screw from the bottom of the pump housing.
11. Slide the transducer assembly out of the bottom of the pump housing.
12. Install the new transducer assembly into the pump housing.
13. Thread the set screw into the pump housing and tighten securely.
14. Plug the transducer connection into the EPC board at location "JP3" (refer to the electrical schematic in the Parts List section of this manual).
15. Reassemble the pump by reversing steps 1-8.

**CAUTION**

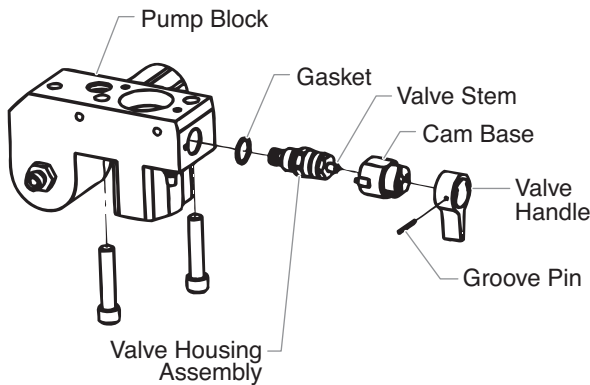
Make sure the transducer is aligned properly with the hole in the pump block during reassembly. Improper alignment may cause damage to the transducer gasket.



## Replacing the PRIME/SPRAY Valve

Perform the following procedure using PRIME/SPRAY valve replacement kit P/N 700-258.

1. Push the groove pin out of the valve handle.
2. Remove the valve handle and the cam base.
3. Using a wrench, loosen and remove the valve housing assembly.
4. Make sure the gasket is in place and thread the new valve housing assembly into the pump block. Tighten securely with wrench.
5. Place the cam base over the valve housing assembly. Lubricate the cam base with grease and line up the cam with the pump block.
6. Line up the hole on the valve stem with the hole in the valve handle.
7. Insert the groove pin into the valve handle and through the valve stem to secure the valve handle in position.



## Servicing the Fluid Section

Use the following procedures to service the valves and repack the fluid section. Perform the following steps before performing any maintenance on the fluid section.

1. Loosen and remove the four front cover screws. Remove the front cover.
2. Stop the sprayer at the bottom of its stroke so that the piston is in its lowest position. Turn off and unplug the sprayer.

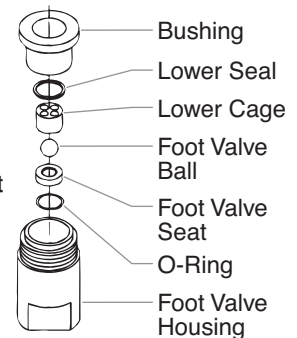
### ⚠ WARNING

**Before proceeding, follow the Pressure Relief Procedure outlined previously in this manual. Additionally, follow all other warnings to reduce the risk of an injection injury, injury from moving parts or electric shock. Always unplug the sprayer before servicing!**

3. Unscrew the return hose assembly from the pump block.
4. Remove the retaining clip that holds the suction set in the foot valve. Pull the suction set out of the foot valve.
5. Tilt the pump back for easy access to the fluid section.

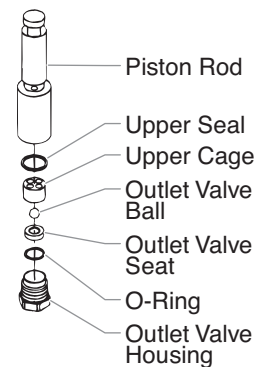
## Servicing the Valves

The design of Titan's fluid section allows access to the foot valve and seat as well as the outlet valve and seat without completely disassembling the fluid section. It is possible that the valves may not seat properly because of debris stuck in the foot valve seat or outlet valve seat. Use the following instructions to clean the valves and reverse or replace the seats.



1. Using a wrench, loosen and remove the foot valve housing from the pump block.
2. Clean out any debris in the foot valve housing and examine the valve housing and seat. If the seat is damaged, reverse or replace the seat.
3. Using a 3/8" hex wrench, loosen and remove the outlet valve housing from the piston rod.

**NOTE: Always service the outlet valve with the piston rod attached to the pump. This will prevent the piston rod from rotating during disassembly of the outlet valve.**

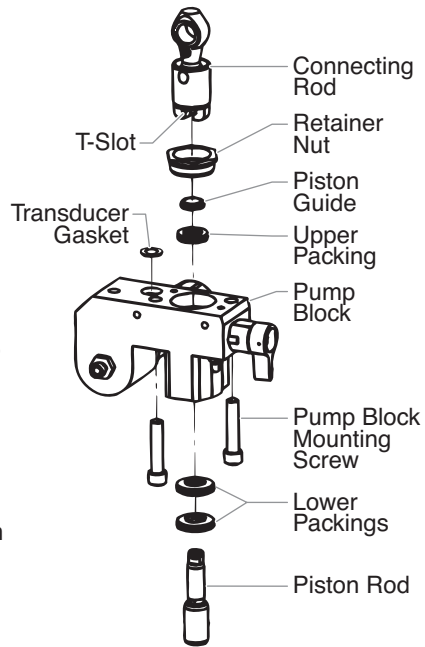


4. Clean out any debris and examine the valve housing and seat. If the seat is damaged, reverse or replace the seat.
5. Remove, clean, and inspect the upper cage and upper ball. Replace if they are worn or damaged.
6. Reassemble the valves by reversing the steps above.

## Repacking the Fluid Section

**NOTE:** The factory-installed packings are black in color. The replacement packings in the packing replacement kit are white.

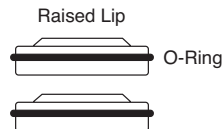
1. Remove the foot valve and outlet valve assemblies using the steps in the "Servicing the Valves" procedure above.
2. Using 3/8" a hex wrench, loosen and remove the two pump block mounting screws.
3. Pull the pump block down approximately 1/2" from the pump housing.
4. Slide the pump block and piston rod forward until the piston rod is out of the T-slot on the connecting rod.
5. Slide the piston rod out through the bottom of the pump block.
6. Loosen and remove the retainer nut and piston guide from the pump block.
7. Remove the upper and lower packings from the pump block.
8. Clean the pump block and install the new upper and lower packings. Refer to the illustration below for proper packing orientation.



Install upper packing with raised lip and O-ring facing down.



Install lower packings with raised lip and O-ring facing up.



9. Inspect the piston rod for wear and replace if necessary.
10. Reassemble the outlet valve assembly into the piston rod. Tighten the outlet valve housing with a wrench until secure.

**NOTE:** Use the T-slot on the connecting rod to hold the piston rod in position while securing the outlet valve housing.

### CAUTION

**Never use a wrench on the piston itself. This could cause damage to the piston and cause leakage.**

11. Insert the piston guide into the retainer nut. Thread the retainer nut into the pump block until it is hand tight.
12. Slide the piston guide tool (included in the repacking kit) over the top of the piston rod and insert the piston rod through the bottom of the pump block. Using a rubber mallet, tap the bottom of the piston rod lightly until the piston rod is in position in the pump block.

**NOTE:** Coat the piston guide tool and the piston rod with grease before inserting them into the pump block.

13. Using a wrench, tighten the retainer nut securely.
14. Slide the top of the piston rod into the T-slot on the connecting rod.
15. Position the pump block underneath the pump housing and push up until it rests against the pump housing.

### CAUTION

**Make sure the transducer is aligned properly with the hole in the pump block during reassembly. Improper alignment may cause damage to the transducer gasket.**

16. Thread the pump block mounting screws through the pump block and into the pump housing. Tighten securely.
17. Reassemble the foot valve assembly into the pump block.
18. Insert the elbow on the suction set into the bottom of the foot valve. Position the retaining clip into the foot valve to secure the suction set assembly.
19. Thread the return hose into the pump block and tighten securely.
20. Place the front cover on the pump housing and secure in position using the four front cover screws.
21. Turn on the sprayer by following the procedure in the "Operation" section of this manual and check for leaks.

**NOTE:** Repacking kit P/N 730-401 is available. For best results use all parts supplied in this kit.

# Troubleshooting

## Problem

The unit will not run.

## Cause

1. The unit is not plugged in.
2. Tripped breaker.
3. The pressure is set too low (pressure control knob set at minimum setting does not supply power to unit).
4. Faulty or loose wiring.
5. Excessive motor temperature.
6. ON/OFF switch is defective.

## Solution

1. Plug the unit in.
2. Reset the breaker.
3. Turn the pressure control knob clockwise to supply power to the unit and increase the pressure setting.
4. Inspect or take to a Titan authorized service center.
5. Allow motor to cool.
6. Replace the ON/OFF switch.

The unit will not prime.

1. The PRIME/SPRAY valve is in the SPRAY position.
2. Air leak in the siphon tube/suction set.
3. The pump filter and/or inlet screen is clogged.
4. The siphon tube/suction set is clogged.

1. Rotate the PRIME/SPRAY valve clockwise to the PRIME position.
2. Check the siphon tube/suction set connection and tighten or re-tape the connection with PTFE tape.
3. Remove the pump filter element and clean. Remove the inlet screen and clean.
4. Remove the siphon tube/suction set and clean.

The unit will not build or maintain pressure.

1. The spray tip is worn.
2. The spray tip is too large.
3. The pressure control knob is not set properly.
4. The pump filter, gun filter, or inlet screen is clogged.
5. Material flows from the return hose when the PRIME/SPRAY valve is in the SPRAY position.
6. Air leak in the siphon tube/suction set.
7. There is external fluid leak.
8. There is an internal fluid section leak (packings are worn and/or dirty, valve balls are worn).
9. Worn valve seats
10. Motor powers but fails to rotate

1. Replace the spray tip following the instructions that came with the spray gun.
2. Replace the spray tip with a tip that has a smaller orifice following the instructions that came with the spray gun.
3. Turn the pressure control knob clockwise to increase the pressure setting.
4. Remove the pump filter element and clean. Remove the gun filter and clean. Remove the inlet screen and clean.
5. Clean or replace the PRIME/SPRAY valve.
6. Check the siphon tube/suction set connection and tighten or re-tape the connection with PTFE tape.
7. Check for external leaks at all connections. Tighten connections, if necessary.
8. Clean the valves and service the fluid section following the "Servicing the Fluid Section" procedure in the Maintenance section of this manual.
9. Reverse or replace the valve seats following the "Servicing the Fluid Section" procedure in the Maintenance section of this manual.
10. Take unit to a Titan authorized service center.

Fluid leakage at the upper end of the fluid section.

1. The upper packings are worn.
2. The piston rod is worn.

1. Repack the pump following the "Servicing the Fluid Section" procedure in the Maintenance section of this manual.
2. Replace the piston rod following the "Servicing the Fluid Section" procedure in the Maintenance section of this manual.



# Troubleshooting

## Problem

Excessive surge at the spray gun.

## Cause

1. Wrong type of airless spray hose.
2. The spray tip worn or too large.
3. Excessive pressure.

## Solution

1. Replace hose with a minimum of 50' of 1/4" grounded textile braid airless paint spray hose.
2. Replace the spray tip following the instructions that came with the spray gun.
3. Rotate the pressure control knob counterclockwise to decrease spray pressure.

Poor spray pattern.

1. The spray tip is too large for the material being used.
2. Incorrect pressure setting.
3. Insufficient fluid delivery.
4. The material being sprayed is too viscous.

1. Replace the spray tip with a new or smaller spray tip following the instructions that came with the spray gun.
2. Rotate the pressure control knob to adjust the pressure for a proper spray pattern.
3. Clean all screens and filters.
4. Add solvent to the material according to the manufacturer's recommendations.

The unit lacks power.

1. The pressure adjustment is too low.
2. Improper voltage supply.

1. Rotate the pressure control knob clockwise to increase the pressure setting.
2. Reconnect the input voltage for 120V AC.

## Patents

These products are covered by one or more of the following U.S. patents:

4,500,119      4,768,929

Material Safety Data Sheets (MSDS) are available on Titan's website or by calling Customer Service.

# Table des matières

Consignes de sécurité.....	14
Description générale.....	16
Fonctionnement.....	16
Vérifications préliminaires.....	16
Préparation avant de peindre.....	17
Peinture.....	17
Procédure de décompression.....	18
Vaporisation.....	18
Technique de vaporisation.....	18
Essais préliminaires.....	19
Nettoyage.....	19
Maintenance.....	20
Généralités concernant la maintenance.....	20
Remplacement des filtres.....	20
Remplacement du moteur.....	21
Remplacement des balais de moteur.....	21
Remplacement des engrenages.....	21
Remplacement du transducteur.....	21
Remplacement de la soupape AMORÇAGE/VAPORISATION.....	22
Maintenance de la section des liquides.....	22
Dépannage.....	24
Listes de pièces.....	38
Corps de l'appareil.....	38
Moteur.....	39
Boîte d'engrenages.....	40
Section des liquides.....	42
Bloc d'aspiration.....	44
Support.....	44
Basse chariot.....	45
Chariot.....	46
Tube siphon (Chariot).....	46
Accessoires.....	47
Étiquettes.....	47
Schéma de raccordement électrique.....	49
Garantie.....	52

## Consignes de sécurité

Le présent manuel comprend des renseignements devant être lus attentivement avant toute utilisation de l'appareil. Lorsque l'un des symboles suivants apparaît, il est recommandé d'être particulièrement attentif et de tenir compte des mesures de sécurité indiquées.

### **⚠ AVERTISSEMENT**

Ce symbole indique un danger potentiel pouvant causer des blessures graves ou même mortelles. Des renseignements importants sur la sécurité sont également indiqués.

### **⚠ ATTENTION**

Ce symbole indique un danger potentiel pouvant causer des blessures corporelles ou des dommages à l'équipement. Des renseignements importants sur la façon de prévenir tout dommage à l'équipement ou toute blessure corporelle mineure sont également indiqués.

**NOTA : Les remarques donnent des renseignements importants requérant une attention particulière.**

### **⚠ AVERTISSEMENT**

**DANGER: BLESSURES PAR PERFORATION - Le jet de peinture à haute pression produit par cet appareil peut perforer la peau et les tissus sous-jacents et entraîner de sévères blessures pouvant nécessiter une amputation. Consultez immédiatement un médecin.**

**NE PAS TRAITER UNE BLESSURE PAR PERFORATION COMME UNE SIMPLE COUPURE! Une perforation peut entraîner des risques d'amputation. Consultez immédiatement un médecin.**

**Pression de service maximale du fluide dans l'appareil : 3200 lb/po2 / 221BAR.**

## MESURES PRÉVENTIVES:

- NE JAMAIS diriger le pistolet vers une quelconque partie du corps.
- NE JAMAIS mettre une quelconque partie du corps en contact avec le jet de liquide. NE JAMAIS se mettre au contact d'un jet de liquide provenant d'une fuite du flexible d'alimentation en liquide.
- NE JAMAIS placer votre main devant le pistolet. Des gants ne vous protégeront pas contre les risques de blessures par perforation.
- TOUJOURS verrouiller la gâchette du pistolet, fermer la pompe à liquide et décompresser l'appareil lorsque vous travaillez sur celui-ci, nettoyez le protecteur de tête, remplacez la tête de pulvérisation ou vous éloignez de l'appareil. Couper le moteur ne décompresse pas l'appareil. Vous devez, pour le décompresser, placer le bouton AMORÇAGE/PULVÉRISATION en position AMORÇAGE. Reportez-vous, pour cela, à la PROCÉDURE DE DÉCOMPRESSION décrite dans de ce manuel.
- TOUJOURS s'assurer que le protecteur de tête est en place lorsque vous pulvérisiez. Le protecteur de tête offre une certaine protection contre les blessures par perforation mais sa principale fonction est d'ordre préventif.
- TOUJOURS ôter la tête de pulvérisation avant de purger ou nettoyer l'appareil.
- Le flexible d'alimentation en peinture peut fuir à la suite d'une usure, de chocs ou de mauvais traitements. Une fuite peut entraîner une perforation de la peau. Inspecter le flexible avant chaque utilisation.
- NE JAMAIS utiliser un pistolet dont la gâchette n'est pas munie d'un loquet ou un cran de sécurité qui soit en état de fonctionner.
- Tous les accessoires doivent être homologués pour une pression égale ou supérieure à 3200 lb/po2 / 221BAR. Cela s'applique, entre autres, aux têtes de pulvérisation, aux accessoires du pistolet et aux flexibles.

**AVERTISSEMENT AUX MÉDECINS : Une perforation sous-cutanée constitue un traumatisme. Il est important de traiter la blessure de façon chirurgicale aussitôt que possible. NE RETARDEZ PAS ce traitement pour des recherches de toxicité. La toxicité n'est un risque que dans les cas où certains produits de revêtement pénètrent dans le flux sanguin. Il peut être nécessaire de faire appel à des soins de chirurgie plastique ou de reconstruction de la main.**

**DANGER: RISQUES D'EXPLOSION OU D'INCENDIE - Les vapeurs dégagées par le solvant ou la peinture sont explosives et inflammables et peuvent causer des corporels sérieux ou dommages matériels.**

## MESURES PRÉVENTIVES:

- Veiller à éviter toute accumulation de vapeurs inflammables en vous assurant que la zone où la pulvérisation a lieu est suffisamment ventilée.
- Veiller à éviter la présence de toute source incandescente telle qu'étincelle électrostatique, flamme nue, flamme-pilote, objet brûlant, cigarette et étincelle provenant du branchement ou du débranchement d'un cordon d'alimentation électrique ou d'un commutateur.
- Ne pas fumer dans la zone d'épandage.
- Toujours avoir un extincteur en état de fonctionner à portée de la main.
- Placer la pompe à peinture à une distance d'au moins un mètre (3 pi) (on recommande d'ailleurs une plus grande distance) de l'objet qui doit être vaporisé dans une pièce séparée bien aérée, ou à une distance d'au moins six mètres (20 pi) de celui-ci dans une zone bien aérée (utiliser d'autres tuyaux si nécessaires). Les vapeurs inflammables sont souvent plus lourdes que l'air. Le plancher doit être extrêmement bien aéré. La pompe à peinture contient des pièces pouvant créer des étincelles et enflammer les vapeurs présentes dans l'air.

- Le matériel utilisé, ainsi que les objets se trouvant à proximité de la zone de pulvérisation, doivent être convenablement reliés à la terre afin d'éviter toute étincelle ou toute décharge électrostatique.
- N'utiliser que des flexibles d'alimentation en liquide à haute pression conducteurs ou reliés à la terre dans les cas d'utilisation sans air comprimé. S'assurer que le pistolet est convenablement relié à la terre par l'intermédiaire du flexible.
- Le cordon d'alimentation doit être raccordé à un circuit mis à la terre.
- Toujours purger l'appareil dans un contenant métallique séparé, en s'assurant que la pompe soit à basse pression et que le chapeau soit retiré. Tenir le pistolet fermement contre la paroi du contenant pour mettre celui-ci à la terre et empêcher l'émission d'étincelles causées par l'électricité statique.
- Se conformer aux consignes et recommandations de sécurité du fabricant du solvant ou du produit.
- S'entourer de toutes les précautions possibles lorsqu'on utilise des produits ayant un point d'éclair inférieur à 21 °C (70 °F). Le point d'éclair d'un fluide est la température à laquelle les vapeurs émanant du fluide peuvent s'enflammer au contact d'une flamme ou d'une étincelle.
- Le plastique peut être une source d'étincelles provoquées par l'électricité statique. Ne jamais utiliser une couverture en plastique pour fermer une zone d'épandage ni utiliser des toiles de protection en plastique lors de la pulvérisation de matières inflammables.
- Lorsque vous purgez l'appareil, veillez à utiliser à la pression minimale.

#### **MOTEUR À ESSENCE (DANS LES CAS OÙ CELA S'APPLIQUE)**

Toujours placer la pompe à l'extérieur de la structure à l'air frais. Garder tous les solvants loin de l'échappement du moteur. Ne jamais remplir le réservoir à carburant lorsque le moteur est en marche ou lorsqu'il est chaud ; les surfaces chaudes risquent d'enflammer le carburant déversé accidentellement. Toujours raccorder un fil de mise à la terre entre la pompe et un objet mis à la terre, tel qu'une conduite d'eau métallique. Se reporter au guide d'utilisation du moteur pour obtenir de plus amples renseignements concernant la sécurité.

#### **DANGER: RISQUES D'EXPLOSION PAR INCOMPATIBILITÉ DES MATÉRIAUX - Peuvent être à l'origine de corporels sérieux ou dommages matériels.**

##### **MESURES PRÉVENTIVES:**

- Ne pas utiliser de matériaux contenant des agents de blanchiment ou du chlore.
- Ne pas utiliser des solvants à base d'hydrocarbure halogéné tels que l'agent anticryptogamique, le chlorure de méthylène et le trichloro-éthane-1,1,1. Ces produits ne sont pas compatibles avec l'aluminium.
- Communiquer avec votre fournisseur de revêtement pour connaître la compatibilité du matériau avec l'aluminium.

#### **DANGER: VAPEURS NOCIVES – la peinture, les solvants, les insecticides et autres matériaux peuvent être nocifs lorsqu'ils sont inhalés ou en contact avec le corps. Les vapeurs peuvent causer une nausée importante, des évanouissements ou un empoisonnement.**

##### **MESURES PRÉVENTIVES:**

- Utiliser un respirateur ou un masque chaque fois qu'il y a des risques d'inhalation de vapeurs. Lire attentivement toutes les instructions se rapportant au masque pour vérifier que celui-ci vous assure une protection suffisante contre les vapeurs toxiques.
- Porter des lunettes de protection.
- Porter des vêtements de protection, conformément aux directives du fabricant de revêtement.

#### **DANGER: GÉNÉRALITÉS - Peut causer des dommages matériels ou corporels sérieux.**

##### **MESURES PRÉVENTIVES:**

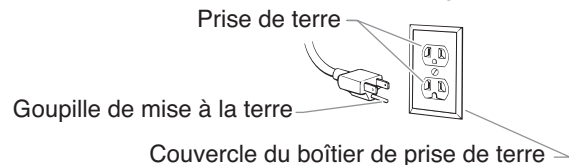
- Avant d'utiliser tout équipement, lire attentivement toutes les instructions et les consignes de sécurité
- Toujours débrancher le moteur de l'alimentation électrique avant d'effectuer des travaux sur l'appareil.
- Se conformer à la législation locale, provinciale ou fédérale pour tout ce qui concerne la ventilation, la prévention des incendies et les conditions générales d'utilisation.
- Les normes de sécurité du Gouvernement américain sont régies par le Occupational Safety and Health Act (OSHA). Il est important de consulter ces normes, en particulier la section 1910 sur les normes générales et la section 1926 sur les normes de la construction.
- N'utiliser que les pièces autorisées par le fabricant. L'utilisateur assume tous les risques et responsabilités lorsqu'il utilise des pièces qui ne sont pas conformes aux caractéristiques techniques minimales ainsi qu'aux dispositifs de sécurité du fabricant de la pompe.
- Vérifier, avant toute utilisation, que les flexibles ne présentent pas d'entaille ou de fuite, que le couvercle ne soit pas gonflé et que les raccords ne soient pas endommagés. Si le flexible a subi l'un des dommages précités, remplacez-le immédiatement. Ne jamais réparer un flexible d'alimentation en peinture. Le remplacer par un autre flexible mis à la terre.
- Tout flexible, raccord orientable, pistolet et accessoire utilisé avec cet appareil doit pouvoir fonctionner à une pression égale ou supérieure à 3200 lb/po2 / 221BAR.
- Ne jamais pulvériser lorsqu'il vente.
- Porter des vêtements pour protéger la peau et les cheveux contre tout contact avec la peinture.

### **Instructions de mise à la terre**

Cet appareil doit être mis à la terre. La mise à la terre réduit les risques d'électrocution lors d'un court-circuit en permettant au courant de s'écouler par le fil de mise à la terre. Cet appareil est muni d'un cordon électrique avec fil de mise à la terre ainsi que d'une fiche de terre. La fiche doit être branchée sur une prise installée correctement et mise à la terre conformément à la réglementation et aux codes en vigueur.

**DANGER** — Une prise de terre mal branchée peut être à l'origine d'électrocutions. S'il s'avère nécessaire de réparer ou de remplacer le cordon électrique ou la fiche, ne pas brancher le fil vert de mise à la terre sur l'une ou l'autre des bornes à broche plate. Le fil recouvert d'un isolant vert avec ou sans rayures jaunes est le fil de mise à la terre et doit être branché sur la broche de mise à la terre.

Si vous ne comprenez pas les instructions de mise à la terre ou si vous n'êtes pas sûr que l'appareil est correctement mis à la terre, contactez un électricien agréé. Ne pas modifier la fiche d'origine. Si la prise ne convient pas à la fiche, faites installer la prise adéquate par un électricien agréé.

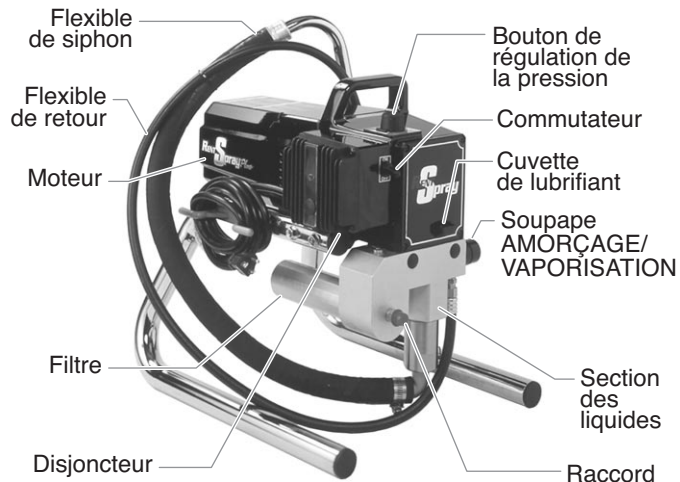


### **ATTENTION**

Utiliser uniquement une rallonge à trois fils munie d'une fiche de terre dans une prise secteur mise à la terre correspondant au type de fiche de l'appareil. S'assurer que votre rallonge est en bon état. Lorsque vous utilisez une rallonge, assurez-vous qu'elle soit d'un calibre suffisant pour supporter l'intensité du courant requise par l'appareil. Une rallonge trop mince entraîne une chute de tension, une diminution de l'intensité et une surchauffe. Une rallonge de calibre 12 est recommandée. Si vous devez utiliser une rallonge à l'extérieur, celle-ci doit comprendre la marque W-A après la désignation indiquant le type de cordon. Par exemple, la désignation SJTW-A indique que le cordon est conçu pour être utilisé à l'extérieur.

## Description générale

Ce vaporisateur à dépression est un outil électrique de précision servant à atomiser divers types de matériaux. On doit lire et suivre attentivement les directives apparaissant dans ce manuel pour savoir comment l'utiliser et le maintenir en bon ordre, et ce, en toute sécurité.



## Fonctionnement

### ⚠ AVERTISSEMENT

**Cet appareil produit un jet à très haute pression; avant de le faire fonctionner, il est donc essentiel de lire et de comprendre les avertissements formulés dans la section Consignes de sécurité à l'avant de ce manuel.**

### Vérifications préliminaires

On doit procéder aux étapes suivantes avant de brancher le cordon d'alimentation de l'appareil.

1. Vérifier que le flexible d'aspiration/du siphon et le flexible de retour sont bien fixés.
2. À l'aide d'une clé fixer un flexible de vaporisation sans air en nylon de 1/4" d'au moins 15m de long sur l'appareil. Serrer fermement.
3. Fixer un pistolet de vaporisation sans air au flexible de vaporisation. À l'aide de deux clés (une sur le pistolet et une sur le flexible), serrer fortement.

**NOTA: Ne pas encore fixer l'embout sur le pistolet de vaporisation. Démontez l'embout s'il est déjà fixé.**

### ⚠ AVERTISSEMENT

**S'assurer que tous les flexibles et pistolets à dépression soit mis à la terre et conçus pour accepter des pressions de liquide d'au moins 3 200 lb/po2 (220 bars).**

4. S'assurer que le bouton de régulation de pression soit à la position OFF (zone noire).
5. S'assurer que le commutateur soit à la position OFF.
6. Verser 15 ml (une cuillère à table) de lubrifiant pour joint de piston (Piston Lube) dans la cuvette.

### ⚠ ATTENTION

**Ne jamais faire fonctionner l'appareil sans liquide pendant plus de 10 secondes, ce qui pourrait user inutilement les tampons graisseurs.**

7. S'assurer que l'alimentation électrique soit d'au moins 15 A à 120 V.
8. Brancher le cordon d'alimentation dans une prise adéquatement mise à la terre située à une distance d'au moins 7,5 m (25 pi) de la surface à vaporiser.

### ⚠ ATTENTION

**Les rallonges utilisées doivent être trifilaires, de calibre 12 et dotées d'une fiche à broche de MALT; on ne doit jamais retirer cette troisième broche ou utiliser un adaptateur.**

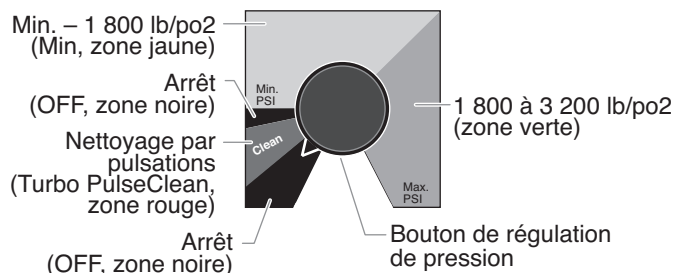
### Préparation d'un nouveau vaporisateur

Si cet appareil est neuf, il contient encore un liquide d'essai mis en usine pour le protéger de la corrosion en cours d'expédition ou d'entreposage. Ce liquide doit être complètement éliminé au moyen d'essence minérale avant que l'appareil puisse être utilisé.

### ⚠ ATTENTION

**La détente du pistolet doit toujours être verrouillée lorsqu'on procède à ces vérifications préliminaires.**

1. Placez le flexible d'aspiration dans un récipient contenant de l'essence minérale avec un point d'inflammation au moins égal à 60°C.
2. Mettre le flexible de retour dans un contenant de purge métallique.
3. Régler la pression au minimum en mettant le bouton de régulation à la position Min (zone jaune).



4. Abaisser la soupape AMORÇAGE/VAPORISATION à la position PRIME.
5. Mettre l'appareil en marche en mettant le commutateur à la position ON.
6. Laisser le vaporisateur fonctionner pendant 15 à 30 secondes pour évacuer le liquide d'essai par le flexible de retour, jusqu'au contenant de purge.
7. Arrêter l'appareil en mettant le commutateur à la position OFF

### Préparation avant de peindre

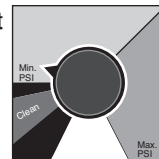
Avant de peindre, il est important de s'assurer que le liquide dans l'appareil est compatible avec le produit à utiliser.

**NOTA: L'incompatibilité liquide/produit peut provoquer le blocage des soupapes, ce qui entraînerait le besoin de démonter et de nettoyer la section des liquides du vaporisateur.**

### ⚠ ATTENTION

**La détente du pistolet doit toujours être verrouillée lorsqu'on procède à ces vérifications préliminaires.**

1. Placez le flexible d'aspiration dans un récipient contenant le solvant approprié (consultez les consignes du fabricant). Par exemple, l'eau est le solvant adapté pour la peinture au latex.
2. Mettre le flexible de retour dans un contenant de purge métallique.
3. Régler la pression au minimum en mettant le bouton de régulation à la position Min (zone jaune).
4. Abaisser la soupape AMORÇAGE/VAPORISATION à la position PRIME.
5. Mettre l'appareil en marche en mettant le commutateur à la position ON.





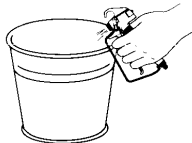
- Laisser le vaporisateur fonctionner pendant 15 à 30 secondes pour évacuer le solvant usé par le flexible de retour, jusqu'au contenant de purge.
- Arrêter l'appareil en mettant le commutateur à la position OFF.

**NOTA: S'assurer que l'embout ou le protège-embout ne soient pas installés.**

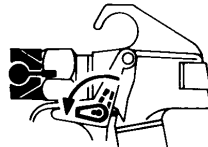
- Soulever la soupape AMORÇAGE/VAPORISATION à la position SPRAY.
- Mettre l'appareil en marche.
- Déverrouiller le pistolet en mettant le verrou de détente à la position appropriée.

### ⚠ AVERTISSEMENT

**On doit mettre le pistolet à la terre en le tenant contre le bord du contenant de purge métallique pendant qu'il se vide afin d'éviter les risques de décharges électrostatiques, lesquelles peuvent provoquer un incendie.**



- Appuyer sur la détente en visant le contenant métallique pour purger le solvant usé du pistolet, jusqu'à ce que du solvant frais en ressorte.
- Verrouiller le pistolet en mettant le verrou de détente à la position appropriée.
- Déposer le pistolet et augmenter la pression en tournant lentement le bouton de régulation vers la droite, jusqu'à la zone verte.
- Inspecter tous les composants afin d'y détecter des fuites potentielles. Le cas échéant, suivre les directives de la section Procédure de décompression du présent manuel avant de fixer les flexibles et de serrer les raccords.
- Procéder aux étapes de la section Procédure de décompression du présent manuel avant de passer du solvant au produit de peinture.



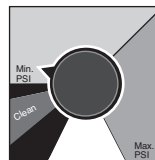
Détente verrouillée.

### ⚠ AVERTISSEMENT

**On doit effectuer la procédure de décompression chaque fois qu'on arrête l'appareil pour en faire la maintenance, en changer les réglages de vaporisation, en remplacer/nettoyer les embouts ou en effectuer la préparation en vue d'un nettoyage.**

## Peinture

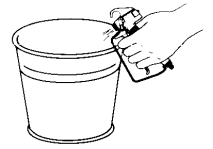
- Mettre le flexible d'aspiration dans un contenant de produit de peinture.
- Mettre le flexible de retour dans un contenant de purge métallique.
- Régler la pression au minimum en mettant le bouton de régulation à la position Min (zone jaune).
- Abaisser la soupape AMORÇAGE/VAPORISATION à la position PRIME.
- Mettre l'appareil en marche en mettant le commutateur à la position ON.
- Laisser le vaporisateur fonctionner jusqu'à ce que le produit commence à s'écouler par le flexible de retour dans le contenant de purge.
- Arrêter l'appareil en mettant le commutateur à la position OFF.
- Retirer le flexible de retour du contenant de purge et le mettre à sa position normale, au-dessus du contenant de produit de peinture.
- Soulever la soupape AMORÇAGE/VAPORISATION à la position SPRAY.
- Mettre l'appareil en marche.



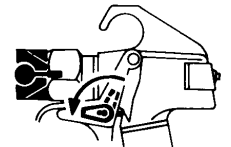
- Déverrouiller le pistolet en mettant le verrou de détente à la position appropriée.

### ⚠ AVERTISSEMENT

**On doit mettre le pistolet à la terre en le tenant contre le bord du contenant de purge métallique pendant qu'il se vide afin d'éviter les risques de décharges électrostatiques, lesquelles peuvent provoquer un incendie.**



- Appuyer sur la détente en visant le contenant métallique pour purger le solvant et l'air du flexible de vaporisation, jusqu'à ce que le produit de peinture s'écoule librement du pistolet.
- Verrouiller le pistolet en mettant le verrou de détente à la position appropriée.
- Arrêter l'appareil.
- Fixer l'embout et le protège-embout au pistolet, conformément aux directives accompagnant ces derniers.



Détente verrouillée.

### ⚠ AVERTISSEMENT

**RISQUES D'INJECTION. Ne pas vaporiser sans avoir installé le protège-embout. Ne jamais appuyer sur la détente sans avoir mis l'embout en position de vaporisation ou de désobstruction. Toujours enclencher le verrou de détente avant de retirer, de remplacer ou de nettoyer l'embout.**

- Mettre l'appareil en marche.
- Augmenter la pression en tournant lentement le bouton de régulation vers la droite, jusqu'à la zone verte, puis effectuer un essai sur un morceau de carton en examinant le jet résultant. Régler la pression de manière à ce que le produit soit parfaitement atomisé. Essayer de laisser le bouton de régulation de la pression au niveau du réglage minimum pour conserver une bonne atomisation.

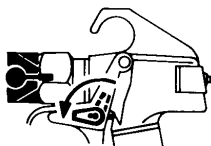
**NOTA: Si la pression est trop élevée, l'embout subira une usure prématurée et produira des éclaboussures de surpulvérisation.**

## Procédure de décompression

### ⚠ AVERTISSEMENT

On doit effectuer la procédure de décompression chaque fois qu'on arrête l'appareil pour en faire la maintenance, en changer les réglages de vaporisation, en remplacer/nettoyer les embouts ou en effectuer la préparation en vue d'un nettoyage.

1. Verrouiller le pistolet en mettant le verrou de détente à la position appropriée.
2. Arrêter l'appareil en mettant le commutateur à la position OFF.
3. Tourner le bouton de régulation de la pression vers la gauche, jusqu'à la position OFF, dans la zone noire.
4. Déverrouiller le pistolet en mettant le verrou de détente à la position appropriée.
5. Tenir fermement la partie métallique du pistolet contre le bord d'un contenant métallique afin d'éviter une accumulation d'électricité statique.
6. Appuyer sur la détente du pistolet afin de purger tout l'air restant dans le flexible.
7. Verrouiller le pistolet en mettant le verrou de détente à la position appropriée.
8. Abaisser la soupape AMORÇAGE/VAPORISATION à la position PRIME.



Détente verrouillée.



## Vaporisation

### ⚠ AVERTISSEMENT

**RISQUES D'INJECTION.** Ne pas vaporiser sans avoir installé le protège-embout. Ne jamais appuyer sur la détente sans avoir mis l'embout en position de vaporisation ou de désobstruction. Toujours enclencher le verrou de détente avant de retirer, de remplacer ou de nettoyer l'embout.

### Technique de vaporisation

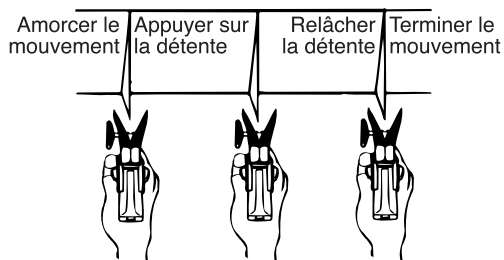
En suivant les techniques suivantes, on s'assure d'obtenir des résultats d'allure professionnelle.

Tenir le pistolet perpendiculairement par rapport à la surface, toujours à la même distance de cette dernière (selon le produit utilisé, la surface en présence et la forme de jet désirée, cette distance devrait se situer entre 30 et 35 cm [12 et 14 po]).

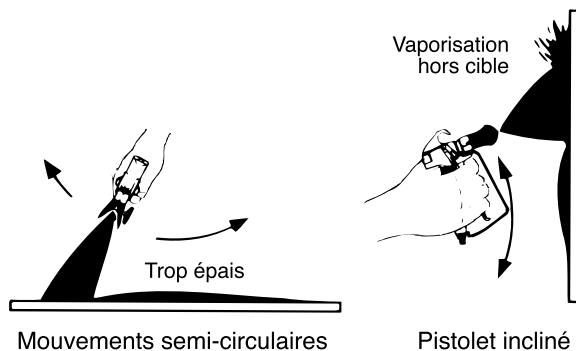
Procéder verticalement ou horizontalement à un rythme régulier, ce qui aura pour effet de minimiser le gaspillage de produit et d'assurer une couverture égale. Le rythme idéal permet d'appliquer une couche chargée sur toute la surface, sans gouttes ni coulées.

En tenant le pistolet plus près de la surface, on y applique davantage de produit, mais sur une bande plus étroite, tandis qu'en l'éloignant, on obtient une couche moins épaisse, répartie sur une plus grande largeur. En présence de gouttes, de coulées ou de surpulvérisation, on doit opter pour un embout doté d'un plus petit orifice; s'il n'y a pas assez de produit sur la surface, ou si on désire procéder plus rapidement, il est préférable de choisir un embout à orifice plus grand.

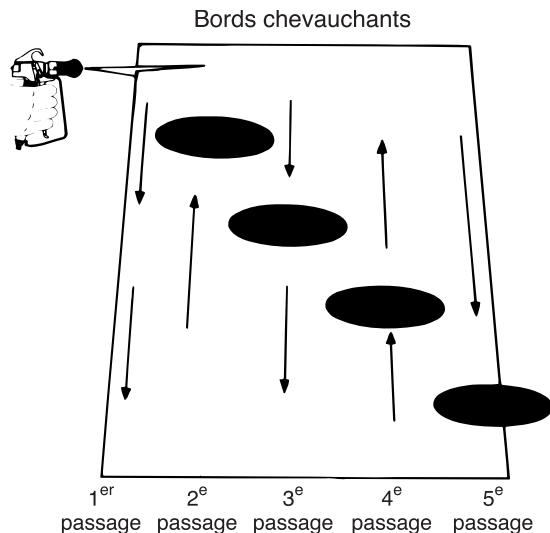
On doit procéder par gestes réguliers et uniformes, en inversant les mouvements à chaque passage (de haut en bas, puis de bas en haut, ou de gauche à droite, puis de droite à gauche). Amorcer le mouvement avant d'appuyer sur la détente.



Il faut éviter de procéder par gestes semi-circulaires ou d'incliner le pistolet par rapport à la surface, ce qui produirait un fini inégal.



Il est essentiel de faire chevaucher chacun des passages pour obtenir un fini uniforme. Si, par exemple, on procède horizontalement, il faut commencer par le haut, puis viser le bord inférieur du passage précédent de manière à en chevaucher la moitié.



Lorsqu'on utilise un écran protecteur, celui-ci doit être fermement maintenu contre la surface. Le pistolet doit être légèrement incliné de manière à éloigner le jet de l'écran, ce qui évitera de faire pénétrer le produit de peinture sous ce dernier.

On doit également protéger les arbustes près des bâtiments en les attachant et en les couvrant d'une toile. Cette toile doit cependant être retirée dans les plus brefs délais. Les rallonges de pistolet Titan peuvent, elles aussi, s'avérer fort utiles dans de telles situations.

Les objets comme les voitures, l'ameublement de jardin, etc. doivent être éloignés ou recouverts lorsqu'ils sont à proximité de la surface à vaporiser. Il faut toujours s'assurer de protéger les éléments susceptibles d'être endommagés par des éclaboussures.

## Essais préliminaires

1. S'assurer que le flexible à produit de peinture soit exempt de coudes et éloigné de toute arête coupante.
2. Tourner le bouton de régulation de pression à son réglage le plus bas.
3. Soulever la soupape AMORÇAGE/VAPORISATION à la position SPRAY.
4. Tourner le bouton de régulation de pression à son réglage le plus élevé; le flexible à produit devrait se raidir sous l'effet de la pression.
5. Déverrouiller la détente du pistolet.
6. Appuyer sur la détente pour évacuer l'air du flexible.
7. Quand la peinture atteint l'embout, effectuer un essai de vaporisation en vue de régler le jet en fonction du travail à effectuer.
8. Régler la pression au niveau le plus bas qui permette d'obtenir le jet désiré. Si la pression est trop élevée, le jet sera trop dispersé; si elle est trop basse, le jet produira des traînées ou crachera des grumeaux de produit.



## Nettoyage

### ⚠ AVERTISSEMENT

#### Directives particulières pour le nettoyage au moyen de solvants inflammables :

- Purger le pistolet à l'extérieur de préférence, à une distance d'au moins une longueur de flexible de la pompe.
- Si le solvant usé est recueilli dans un contenant métallique de 4 litres (1 gallon), celui-ci doit être inséré dans un second contenant d'au moins 20 litres (5 gallons).
- L'endroit choisi doit être exempt de vapeurs inflammables.
- On doit suivre les directives de nettoyage à la lettre.

### ⚠ ATTENTION

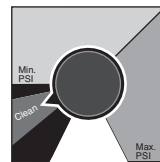
Le vaporisateur, le flexible et le pistolet doivent être nettoyés en profondeur après chaque journée d'utilisation et ce, afin d'éviter les accumulations de produit susceptibles de nuire grandement au rendement de l'appareil.

### ⚠ AVERTISSEMENT

Lorsqu'on se sert d'essence minérale ou d'autres solvants pour nettoyer le vaporisateur, le flexible ou le pistolet, on doit régler la pression au minimum et retirer l'embout de la buse du pistolet. L'accumulation d'électricité statique risque de provoquer des incendies en présence de vapeurs inflammables.

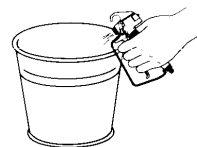
1. Suivre la Procédure de décompression à la section Fonctionnement du présent manuel.
2. Retirer l'embout et le protège-embout, et les nettoyer au moyen d'une brosse et du solvant approprié.
3. Placez le flexible d'aspiration dans un récipient contenant le solvant approprié (consultez les consignes du fabricant). Par exemple, l'eau est le solvant adapté pour la peinture au latex.
4. Mettre le flexible de retour dans un contenant de purge métallique.

5. Abaisser la soupape AMORÇAGE/VAPORISATION à la position PRIME.
6. Régler la pression pour le nettoyage par pulsations en mettant le bouton de régulation à la position CLEAN (zone rouge).
7. Mettre l'appareil en marche en mettant le commutateur à la position ON.
8. Laisser le solvant circuler dans l'appareil pour évacuer le produit de peinture par le flexible de retour, jusqu'au contenant de purge.
9. Arrêter l'appareil en mettant le commutateur à la position OFF.
10. Soulever la soupape AMORÇAGE/VAPORISATION à la position SPRAY.
11. Mettre l'appareil en marche.



### ⚠ AVERTISSEMENT

On doit mettre le pistolet à la terre en le tenant contre le bord du contenant de purge métallique pendant qu'il se vide afin d'éviter les risques de décharges électrostatiques, lesquelles peuvent provoquer un incendie.



12. Appuyer sur la détente en visant le contenant métallique pour purger le produit du flexible, jusqu'à ce que le solvant s'écoule du pistolet.
13. Continuer d'appuyer sur la détente, en direction du contenant métallique, jusqu'à ce que le solvant évacué soit propre.

**NOTA:** Pour l'entreposage à long terme en milieu froid, remplir tous les composants de l'appareil d'essence minérale.

Dans le cas de rangement à court terme après utilisation de peinture au latex, remplir tous les composants d'eau mélangée au protecteur Titan Liquid Shield (se reporter à la section Accessoires du présent manuel pour obtenir le numéro de pièce de ce produit).

14. Suivre la Procédure de décompression à la section Fonctionnement du présent manuel.
15. Débrancher l'appareil et le ranger dans un endroit propre et sec.

### ⚠ ATTENTION

Ne pas ranger l'appareil sous pression.

# Maintenance

## **⚠ AVERTISSEMENT**

Avant de procéder, on doit suivre les directives de la section Procédure de décompression du présent manuel. On doit également respecter tous les autres avertissements si on veut éviter les blessures par injection, par contact avec une pièce mobile ou par choc électrique. Le vaporisateur doit toujours être débranché avant d'être entretenu ou réparé.

## Généralités concernant la maintenance

Pour réparer ou entretenir le vaporisateur, on pourrait avoir à recourir aux outils suivants :

Tournevis étoile	Clé hexagonale de 1,0 cm (3/8 po)
Pince à bec pointu	Clé hexagonale de 0,8 cm (5/16 po)
Clé à ouverture variable	Clé hexagonale de 0,6 cm (1/4 po)
Maillet en caoutchouc	Clé hexagonale de 0,5 cm (3/16 po)
Tournevis plat	Clé hexagonale de 0,4 cm (5/32 po)

1. Avant de procéder à la maintenance de n'importe quel composant du vaporisateur, il faut lire attentivement les directives ainsi que tous les avertissements qu'elles contiennent.

## **⚠ ATTENTION**

Ne jamais tirer sur le cordon pour le débrancher, ce qui pourrait détacher le connecteur des fils.

2. Vérifier les résultats de la maintenance effectuée avant d'utiliser le vaporisateur en conditions normales afin de s'assurer que le problème ait bel et bien été corrigé. Si le vaporisateur ne fonctionne toujours pas comme il faut, repasser la procédure pour s'assurer qu'elle ait été bien suivie. Se reporter ensuite à la section Dépannage pour cerner la source potentielle du problème.
3. S'assurer que l'endroit choisi soit bien ventilé si des solvants sont utilisés pour le nettoyage. Toujours porter des lunettes de protection lorsqu'on procède à la maintenance. D'autres dispositifs protecteurs pourraient être requis selon le type de solvant utilisé; on doit toujours communiquer avec le fabricant de ce dernier pour obtenir ses recommandations à cet effet.
4. Pour toute autre question relative à ce vaporisateur à dépression, il suffit de communiquer avec Titan :

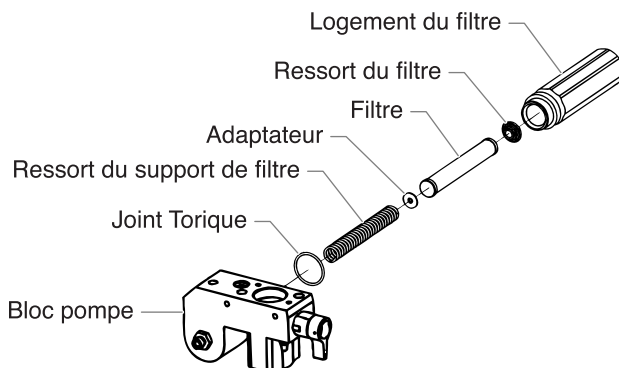
Service à la clientèle (É.-U.).....	1-800-526-5362
Télécopieur.....	1-800-528-4826
Service à la clientèle (Canada).....	1-800-565-8665
Télécopieur.....	1-905-856-8496
Service à la clientèle (international).....	1-201-405-7520
Télécopieur.....	1-201-405-7449

# Remplacement des filtres

## Filter de pompe

1. Dégager et retirer manuellement le logement du filtre.
2. Glisser le filtre afin de le dégager du ressort du support de filtre.
3. Inspecter le filtre; le nettoyer ou le remplacer au besoin.
4. Inspecter le joint torique; le nettoyer ou le remplacer au besoin.
5. Glisser le filtre neuf ou nettoyé sur le ressort du support de filtre (s'assurer que l'adaptateur est bien en place). Pousser le filtre jusqu'au centre du bloc pompe.
6. Glisser le logement sur le filtre et le visser solidement sur le bloc pompe.

**NOTA: On doit serrer manuellement le logement du filtre, en s'assurant qu'il est installé fermement dans le bloc pompe.**

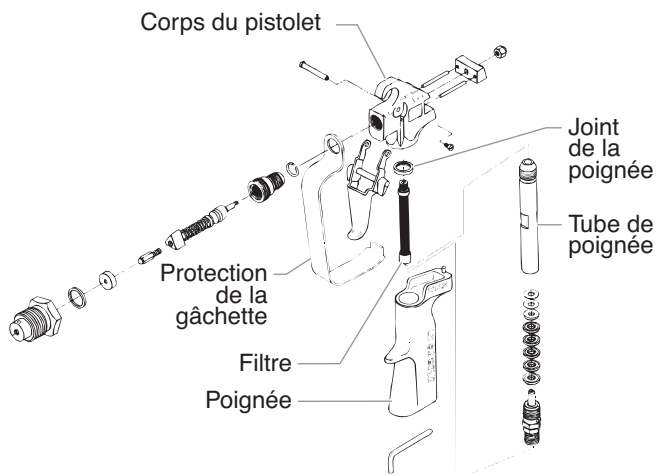


## Filter de pistolet

1. Déverrouiller la détente du pistolet.
2. Dégager et retirer la poignée du corps du pistolet.
3. En tournant vers la droite, dévisser le filtre du corps.

**NOTA: Le filetage à gauche requiert qu'on tourne vers la droite pour dévisser.**

4. En tournant vers la gauche, visser le filtre nettoyé ou de rechange sur le corps.
5. S'assurer que le joint de la poignée soit bien placé et visser solidement cette dernière sur le corps.
6. Verrouiller la détente du pistolet.



**NOTA: Pour obtenir plus de détails, se renseigner sur les numéros de pièce ou voir des dessins d'assemblage à plus grande échelle, se reporter au manuel de l'utilisateur du pistolet à dépression professionnel LX -80 Gold (no 313-687).**



## Remplacement du moteur

1. Débrancher l'appareil.
2. Desserrer et retirer les quatre vis du carter de moteur et retirer ce premier.
3. Déconnecter du moteur les fils noirs et rouges provenant du logement de la pompe et des condensateurs.
4. Retirer les condensateurs de leur agrafe de montage.
5. Desserrer et retirer les quatre vis de montage du moteur.
6. Retirer le moteur du logement de la pompe.

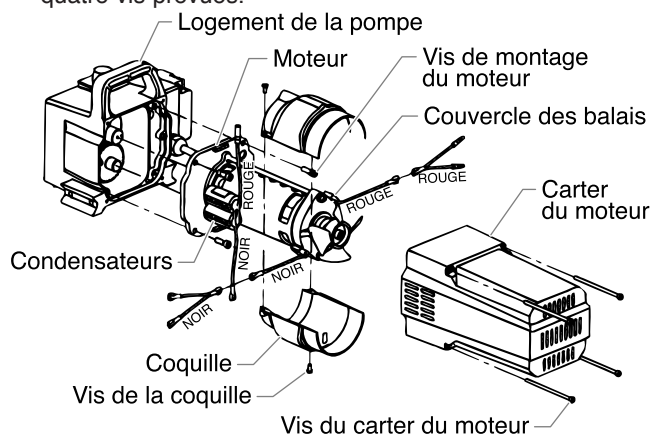
**NOTA: Si le moteur refuse de sortir du logement de la pompe :**

- Retirer le couvercle avant.
- Au moyen d'un maillet en caoutchouc, donner de petits coups à l'avant du vilebrequin (qui ressort de la bielle).

7. Une fois le moteur retiré, inspecter les engrenages dans le logement de la pompe pour y détecter d'éventuels dommages ou une usure excessive. Les remplacer, le cas échéant.
8. Installer le nouveau moteur dans le logement de la pompe.

**NOTA: Faire tourner manuellement le ventilateur du moteur jusqu'à ce que l'engrenage d'armature entre en prise avec celui du logement de la pompe.**

9. Fixer le moteur au moyen des quatre vis de montage.
10. Enclipser les condensateurs sur leurs agrafes respectives.
11. Reconnecter les fils (se reporter au schéma de raccordement électrique de la section Listes de pièces du présent manuel).
12. Glisser le carter sur le moteur en le fixant au moyen des quatre vis prévues.



## Remplacement des balais de moteur

Pour effectuer cette procédure, on doit se procurer une trousse de remplacement des balais de moteur (no 704-276).

1. Desserrer et retirer les quatre vis du carter de moteur et retirer ce premier.
2. Desserrer et retirer les deux vis de la coquille et retirer cette dernière.
3. Au moyen d'un petit tournevis, disjoindre les deux couvercles de balai en plastique.
4. Déconnecter les fils rouges et noirs des balais et retirer ces derniers.
5. Installer les nouveaux balais et enclipser les couvercles en plastique.
6. Reconnecter les fils rouges et noirs des balais (se reporter au schéma de raccordement électrique de la section Listes de pièces du présent manuel).
7. Mettre la coquille au-dessus du ventilateur du moteur et la fixer au moyen des deux vis prévues.
8. Glisser le carter sur le moteur en le fixant au moyen des quatre vis prévues.

## Remplacement des engrenages

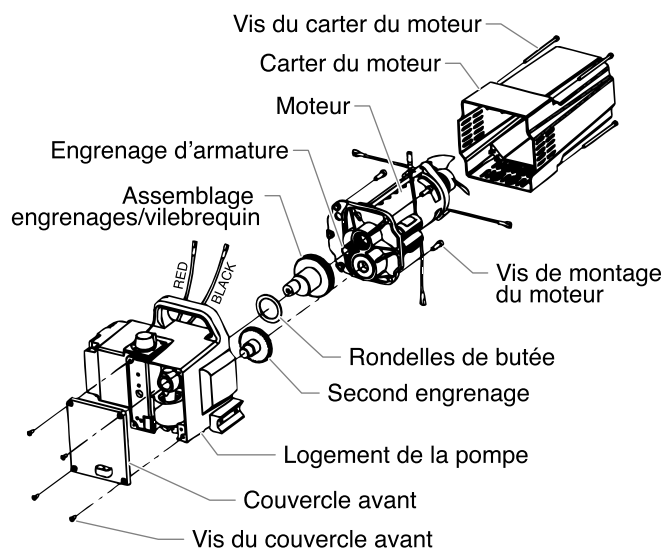
1. Desserrer et retirer les quatre vis du carter de moteur et retirer ce premier.
2. Déconnecter les fils rouge et noir provenant du logement de la pompe.
3. Desserrer et retirer les quatre vis de montage du moteur.
4. Retirer le moteur du logement de la pompe.

**NOTA: Si le moteur refuse de sortir du logement de la pompe :**

- Retirer le couvercle avant.
- Au moyen d'un maillet en caoutchouc, donner de petits coups à l'avant du vilebrequin (qui ressort de la bielle).

7. Inspecter l'engrenage d'armature à l'extrémité du moteur pour y détecter d'éventuels dommages ou une usure excessive. Si cet engrenage est complètement usé, remplacer tout le moteur.
8. Retirer et inspecter le second engrenage pour y détecter d'éventuels dommages ou une usure excessive. Le remplacer, le cas échéant.
9. Retirer et inspecter l'assemblage engrenages/vilebrequin pour y détecter d'éventuels dommages ou une usure excessive. Le remplacer, le cas échéant.
10. Remonter la pompe en reprenant les étapes ci-dessus à l'envers, en s'assurant que les rondelles de butée restent bien en place.

**NOTA: Verser environ 150 ml (5 oz) de Lubriplate (no 314-171) dans la boîte d'engrenages.**



## Remplacement du transducteur

1. Desserrer et retirer les quatre vis du couvercle avant et retirer ce dernier.
2. Arrêter le vaporisateur en le bas de course afin que le piston soit à sa position la plus basse. Débrancher l'appareil.

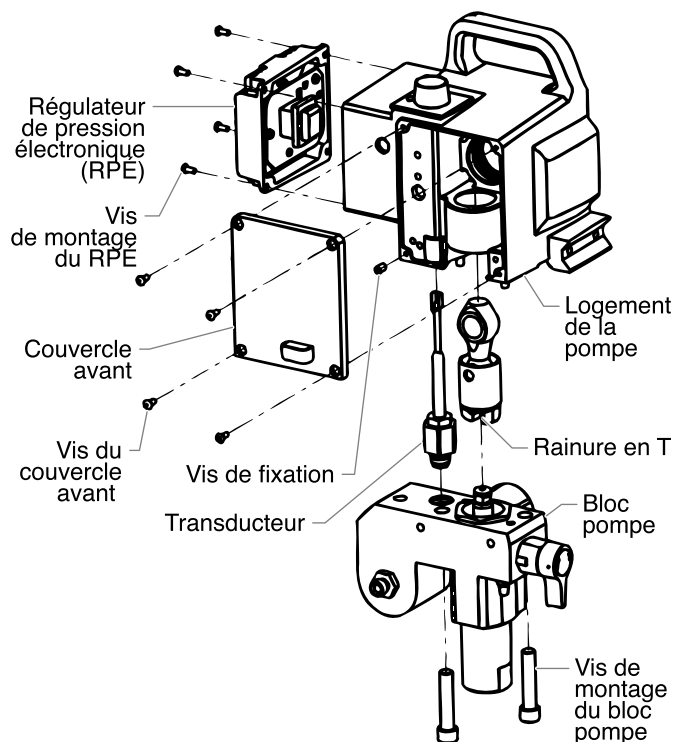
**AVERTISSEMENT**

**Avant de procéder, on doit suivre les directives de la section Procédure de décompression du présent manuel. On doit également respecter tous les autres avertissements si on veut éviter les blessures par injection, par contact avec une pièce mobile ou par choc électrique. Le vaporisateur doit toujours être débranché avant d'être entretenu ou réparé.**

3. Incliner la pompe vers l'arrière pour accéder plus facilement à la section des liquides.
4. Au moyen d'une clé hexagonale de 1,0 cm, desserrer et retirer les deux vis de montage du bloc pompe.
5. Tirer sur le bloc pompe afin de le faire ressortir d'environ 1,5 cm (1/2 po) de son logement, de manière à dégager le transducteur.
6. Glisser le bloc pompe et la tige du piston vers l'avant jusqu'à ce que cette dernière sorte de la rainure en T de la bielle.
7. Desserrer et retirer les quatre vis de montage du RPÉ (régulateur de pression électronique)
8. Écarter le RPÉ de manière à pouvoir accéder au connecteur du transducteur.
9. Déconnecter le transducteur de l'emplacement JP3 du tableau du RPÉ (se reporter au schéma de raccordement électrique de la section Listes de pièces du présent manuel).
10. Au moyen d'une clé hexagonale de 0,3 cm (1/8 po), desserrer et retirer la vis de fixation de la partie inférieure du logement de la pompe.
11. Glisser le transducteur hors de cette partie inférieure.
12. Installer le nouveau transducteur dans le logement de la pompe.
13. Insérer et serrer fermement la vis de fixation dans la partie inférieure.
14. Connecter le transducteur dans l'emplacement JP3 du tableau du RPÉ (se reporter au schéma de raccordement électrique de la section Listes de pièces du présent manuel).
15. Remonter la pompe en reprenant les étapes 1 à 8 à l'envers.

### ⚠ ATTENTION

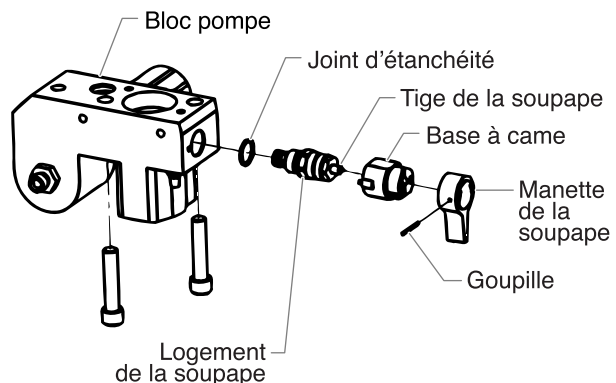
Afin d'éviter d'endommager le joint d'étanchéité du transducteur, s'assurer que ce dernier soit correctement aligné avec le trou du bloc pompe.



## Remplacement de la soupape AMORÇAGE/VAPORISATION

Pour effectuer cette procédure, on doit se procurer une trousse de remplacement de soupape AMORÇAGE/VAPORISATION (no 700-258).

1. Pousser la goupille hors de la manette de la soupape
2. Retirer la manette et la base à came.
3. Au moyen d'une clé, desserrer et retirer le logement de la soupape.
4. S'assurer que le joint d'étanchéité soit à sa place, et visser le nouveau logement dans le bloc pompe; serrer fermement à l'aide d'une clé.
5. Mettre la base à came par dessus le logement de la soupape; la lubrifier au moyen de graisse et aligner la came avec le bloc pompe.
6. Aligner le trou dans la tige de soupape avec celui de la manette.
7. Insérer la goupille à travers ces deux trous afin de fixer la manette en place.



## Maintenance de la section des liquides

On doit suivre les procédures suivantes pour effectuer la maintenance des soupapes et remplacer les tampons graisseurs de la section des liquides. Au préalable, il est cependant important de procéder aux étapes ci-dessous.

1. Desserrer et retirer les quatre vis du couvercle avant et retirer ce dernier.
2. Arrêter le vaporisateur en le bas de course afin que le piston soit à sa position la plus basse. Débrancher l'appareil.

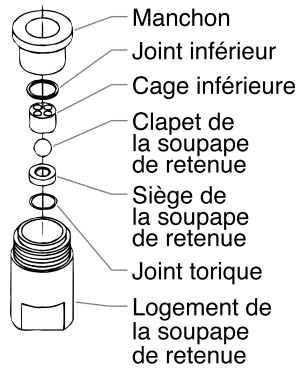
### ⚠ AVERTISSEMENT

**Avant de procéder, on doit suivre les directives de la section Procédure de décompression du présent manuel. On doit également respecter tous les autres avertissements si on veut éviter les blessures par injection, par contact avec une pièce mobile ou par choc électrique. Le vaporisateur doit toujours être débranché avant d'être entretenu ou réparé.**

3. Dévisser le flexible de retour du bloc pompe.
4. Retirer l'agrafe qui fixe le bloc d'aspiration à la soupape de retenue; disjoindre ces éléments.
5. Incliner la pompe vers l'arrière pour accéder plus facilement à la section des liquides.

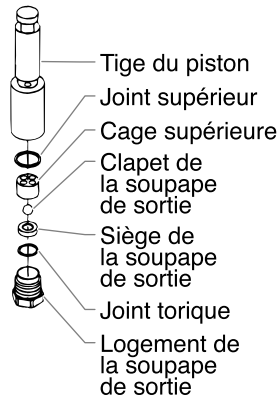
## Maintenance des soupapes

La conception de la section des liquides du vaporisateur Titan fait en sorte qu'on peut accéder aux soupapes de retenue et de sortie, de même qu'à leur siège respectif, sans avoir à démonter toute la section. Il arrive que ces soupapes soient mal assises à cause de débris accumulés; en suivant les directives ci-dessous, on peut les nettoyer et inverser ou remplacer leur siège.



1. Au moyen d'une clé, desserrer et retirer le logement de la soupape de retenue du bloc pompe.
2. Enlever tous les débris dans le logement et examiner les composants; si le siège est endommagé, l'inverser ou le remplacer.
3. À l'aide d'une clé à douille de 1,9 cm (3/4 po), dévisser et retirer le logement de la soupape de sortie de la tige du piston.

**NOTA:** La tige du piston doit toujours être raccordée à la pompe quand on effectue l'entretien de la soupape de sortie; ce faisant, on évitera que la tige pivote lorsqu'on démonte la soupape.

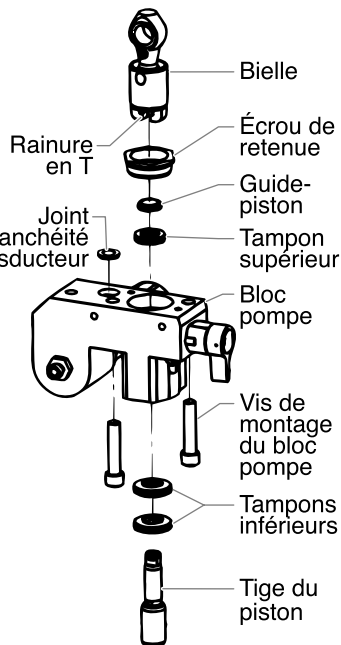


4. Enlever tous les débris dans le logement et examiner les composants; si le siège est endommagé, l'inverser ou le remplacer.
5. Retirer, nettoyer et inspecter la cage et le clapet supérieurs; les remplacer s'ils sont usés ou endommagés.
6. Remonter les soupapes en reprenant les étapes ci-dessus à l'envers.

## Remplacement des tampons graisseurs

**NOTA:** Les tampons installés en usine sont noirs, tandis que ceux de rechange (dans la trousse de remplacement) sont blancs.

1. Retirer les soupapes de retenue et de sortie en suivant les directives de la section Maintenance des soupapes ci-dessus.
2. Au moyen d'une clé hexagonale de 1,0 cm, desserrer et retirer les deux vis de montage du bloc pompe.
3. Tirer sur le bloc pompe afin de le faire ressortir d'environ 1,5 cm de son logement.
4. Glisser le bloc pompe et la tige du piston vers l'avant jusqu'à ce que cette dernière sorte de la rainure en T de la bielle.

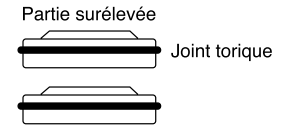


5. Glisser la tige du piston hors de la partie inférieure du bloc pompe.
6. Desserrer et retirer l'écrou de retenue et le guide-piston du bloc pompe.
7. Retirer les tampons supérieur et inférieurs du bloc pompe.
8. Nettoyer le bloc pompe et installer les nouveaux tampons supérieur et inférieurs (se reporter à l'illustration ci-dessous pour bien les orienter).

La partie surélevée et le joint torique du tampon supérieur doivent être vers le bas.



La partie surélevée et le joint torique des tampons inférieurs doivent être vers le haut.



9. Inspecter la tige du piston pour y déceler toute trace d'usure et la remplacer au besoin.
10. Remonter la soupape de sortie dans la tige du piston; serrer fermement le logement au moyen d'une clé.

**NOTA:** Se servir de la rainure en T de la bielle pour retenir la tige du piston quand on serre le logement de la soupape.

## ATTENTION

On ne doit jamais se servir d'une clé pour serrer le piston lui-même, ce qui pourrait l'endommager et entraîner des fuites.

11. Insérer le guide-piston dans l'écrou de retenue et visser fermement ce dernier à la main dans le bloc pompe.
12. Glisser l'outil guide-piston (inclus dans la trousse de remplacement des tampons) sur le dessus de la tige du piston, puis insérer cette dernière dans la partie inférieure du bloc pompe. À l'aide d'un maillet en caoutchouc, donner de petits coups au bas de la tige jusqu'à ce qu'elle reprenne sa place dans le bloc pompe.

**NOTA:** Enduire de graisse l'outil guide-piston et la tige du piston avant de les insérer dans le bloc pompe.

13. Au moyen d'une clé, serrer fermement l'écrou de retenue.
14. Glisser le haut de la tige du piston dans la rainure en T de la bielle.
15. Positionner le bloc pompe sous son logement et l'y insérer jusqu'au fond.

## ATTENTION

Afin d'éviter d'endommager le joint d'étanchéité du transducteur, s'assurer que ce dernier soit correctement aligné avec le trou du bloc pompe.

16. Insérer les vis de montage du bloc pompe à travers ce dernier et son logement; serrer fermement.
17. Remonter la soupape de retenue dans le bloc pompe.
18. Insérer le coude du bloc d'aspiration dans la partie inférieure de la soupape de retenue. Positionner l'agrafe de retenue dans cette dernière de manière à fixer le bloc d'aspiration.
19. Visser le flexible de retour dans le bloc pompe et serrer fermement.
20. Mettre le couvercle avant sur le logement de la pompe et le fixer au moyen des quatre vis prévues.
21. Mettre le vaporisateur en marche en suivant la procédure indiquée dans la section Fonctionnement du présent manuel pour s'assurer de l'absence de fuites.

**NOTA:** On peut se procurer une trousse de remplacement des tampons graisseurs (no 730-401), laquelle contient les éléments qui garantiront les meilleurs résultats pour cette procédure.

# Dépannage

## Problème

L'appareil ne fonctionne pas.

## Cause

1. L'appareil n'est pas branché.
2. Disjoncteur déclenché.
3. Le réglage de pression est trop bas (le bouton de commande de la pression au réglage minimum n'envoie pas de puissance au vaporisateur).
4. Câblage défectueux ou débranché.
5. Température excessive du moteur.
6. Commutateur MARCHE/ARRÊT défectueux.

## Solution

1. Brancher l'appareil.
2. Réenclencher le disjoncteur.
3. Faire tourner le bouton de commande de la pression pour alimenter l'appareil et accroître la pression.
4. Vérifier ou le faire réparer dans un centre d'entretien agréé par Titan.
5. Laisser le moteur refroidir.
6. Remplacer le commutateur MARCHE/ARRÊT.

L'appareil ne s'amorce pas.

1. La soupape d'AMORÇAGE/VAPORISATION est en position VAPORISATION.
2. Fuite d'air dans le flexible du siphon/d'aspiration.
3. Le filtre de la pompe et/ou le filtre d'entrée sont bouchés.
4. Le flexible de siphon/d'aspiration est bouché.

1. Faire tourner la soupape d'AMORÇAGE/VAPORISATION dans le sens des aiguilles d'une montre en position AMORÇAGE.
2. Vérifier le branchement du flexible du siphon/d'aspiration et serrer ou recoller le raccord avec du ruban en PTFE.
3. Démontez le filtre de la pompe et le nettoyer. Démontez le filtre d'entrée et le nettoyer.
4. Démontez le flexible du siphon/d'aspiration et le nettoyer.

La pression ne se fait pas dans l'appareil ou la pression n'est pas uniforme.

1. L'embout d'aspiration est usé.
2. L'embout d'aspiration est trop grand.
3. Le bouton de commande de la pression n'est pas correctement fixé.
4. Le filtre de la pompe, le filtre du pistolet ou le filtre d'entrée sont bouchés.
5. Du produit s'échappe du flexible de retour lorsque la soupape D'AMORÇAGE/VAPORISATION est en position VAPORISATION.
6. Fuite d'air dans le flexible du siphon/le flexible d'aspiration.
7. Il y a une fuite de liquide externe.
8. Il y a une fuite interne dans la section des liquides (les tampons graisseurs sont usés et/ou sales, les clapets sont usés).
9. Sièges de soupape usés.
10. Le moteur démarre mais ne tourne pas.

1. Remplacer l'embout d'aspiration selon les consignes qui accompagnent le pistolet de vaporisation.
2. Remplacer l'embout d'aspiration par un embout à moins large selon les consignes qui accompagnent le pistolet de vaporisation.
3. Tourner le bouton dans le sens des aiguilles d'une montre pour augmenter la pression.
4. Démontez le filtre de la pompe et le nettoyer. Retirez le filtre du pistolet et le nettoyer. Démontez le filtre d'entrée et le nettoyer.
5. Nettoyer ou remplacer la soupape d'AMORÇAGE/VAPORISATION.
6. Vérifier le branchement du flexible du siphon/d'aspiration et serrer ou recoller le raccord avec du ruban en PTFE.
7. Vérifier qu'il n'y a pas de fuites externes dans tous les raccords. Resserrer les raccords au besoin.
8. Nettoyer les soupapes et la section des liquides selon la procédure "Maintenance de la Section des Liquides" décrite au chapitre Maintenance de ce manuel.
9. Inverser ou remplacer les sièges de soupape selon la procédure "Maintenance de la Section des Liquides" décrite au chapitre Maintenance de ce manuel.
10. Faire réparer dans un centre d'entretien agréé par Titan.

Fuite de liquide dans la partie supérieure de la section des liquides.

1. Les tampons graisseurs supérieurs sont usés.
2. La tige du piston est usée.

1. Regarnir selon la procédure "Maintenance de la Section des Liquides" décrite au chapitre Maintenance de ce manuel.
2. Remplacer la tige du piston selon la procédure "Maintenance de la Section des Liquides" décrite au chapitre Maintenance de ce manuel.



# Dépannage

## Problème

Trop grand afflux au pistolet vaporisateur.

## Cause

1. Mauvais type de flexible de vaporisation sans air.
2. L'embout d'aspiration est usé ou trop grand.
3. Pression excessive.

## Solution

1. Remplacer le flexible par un flexible de vaporisation de peinture sans air en tresse de textile de 1/4" et de 15m de longueur.
2. Remplacer l'embout d'aspiration selon les consignes qui accompagnent le pistolet de vaporisation.
3. Faire tourner le bouton de commande de la pression dans le sens inverse des aiguilles d'une montre pour réduire la pression d'évaporation.

Forme de vaporisation incorrecte.

1. L'embout d'aspiration est trop grand pour le produit utilisé.
2. Mauvais réglage de pression.
3. Sortie de liquide insuffisante.
4. Le produit vaporisé est trop visqueux.

1. Remplacer l'embout d'aspiration par un embout neuf ou plus petit selon les consignes qui accompagnent le pistolet de vaporisation.
2. Faire tourner le bouton de commande de la pression pour régler la pression sur une forme de vaporisation plus adaptée.
3. Nettoyer toutes les crépines et tous les filtres.
4. Ajouter du solvant au produit selon les recommandations du fabricant.

L'outil n'est pas alimenté électriquement.

1. Le réglage de la pression est trop faible.
2. Mauvaise tension d'alimentation.

1. Faire tourner le bouton de commande de la pression dans le sens des aiguilles d'une montre pour augmenter la pression.
2. Rebrancher sur 120 V AC.

## Brevets

Ces produits sont protégés par un ou plusieurs des brevets (U.S.A.) suivants :  
4,500,119      4,768,929

Des fiches techniques de sécurité des produits (FTSS) sont disponibles sur le site Internet de Titan ou par téléphone en vous adressant au Service Client.

# Contenido

Precauciones de seguridad .....	26
Descripción general .....	28
Funcionamiento.....	28
Configuración.....	28
Preparación para pintar .....	29
Pintura .....	29
Procedimiento para aliviar la presión .....	30
Rociado .....	30
Técnica de rociado .....	30
Práctica.....	31
Limpieza .....	31
Mantenimiento .....	32
Notas generales de reparación y servicio .....	32
Reemplazo de los filtros .....	32
Reemplazo del motor .....	33
Reemplazo de los cepillos del motor.....	33
Reemplazo de los engranajes .....	33
Reemplazo del transductor.....	33
Reemplazo de la válvula de CEBADO/ROCIADO .....	34
Servicio a la sección de líquidos .....	34
Solución de problemas.....	36
Listados de piezas .....	38
Ensamblaje principal.....	38
Ensamblaje del motor.....	39
Ensamblaje de la caja de engranajes .....	40
Ensamblaje de la sección de líquidos .....	42
Ensamblaje del juego de succión .....	44
Ensamblaje de la base .....	44
Ensamblaje del bajo carro .....	45
Ensamblaje del Carro.....	46
Tubo sifón (Ensamblaje del Carro).....	46
Accesorios .....	48
Etiquetas.....	48
Esquema eléctrico .....	49
Garantía.....	52

## Precauciones de seguridad

Este manual contiene información que debe leer y comprender antes de usar el equipo. Cuando se encuentre con uno de los siguientes símbolos, asegúrese de observar sus indicaciones de seguridad.

### ADVERTENCIA

Este símbolo indica la existencia de un peligro potencial que puede causar lesiones graves o la muerte. Después del mismo se incluye información de seguridad importante.

### PRECAUCION

Este símbolo indica la existencia de un peligro potencial para usted o el equipo. Después del mismo se incluye información importante que indica la forma de evitar daños al equipo o la forma de prevenir lesiones menores.

**NOTA: los avisos contienen información importante, présteles especial atención.**

### ADVERTENCIA

**PELIGRO: LESIÓN POR INYECCIÓN** - La corriente de pintura de alta presión que produce este equipo puede perforar la piel y tejidos subyacentes, lo que conduciría a lesiones serias y una posible amputación. Consulte de inmediato a un médico.

**NO TRATE LAS LESIONES POR INYECCIÓN COMO SI FUERAN SIMPLES CORTADAS!** Una inyección puede conducir a una amputación. Consulte de inmediato a un médico.

**El rango de operación máximo de la unidad es 3200 PSI / 221BAR de presión de fluidos.**

## PARA PREVENIR:

- NO dirija NUNCA la punta de la pistola hacia alguna parte del cuerpo.
- NO permita NUNCA que alguna parte del cuerpo tenga contacto con la corriente del fluido. EVITE tener contacto con corrientes de fluido que salgan de fugas que haya en la manguera.
- NO ponga NUNCA la mano enfrente de la manguera. Los guantes no ofrecen ninguna protección contra lesiones por inyección.
- Bloquee SIEMPRE el gatillo de la pistola, apague la bomba de fluido y libere toda la presión antes de dar mantenimiento, limpiar el protector de la boquilla, cambiar la boquilla o dejar desatendido el equipo. La presión no se liberará al apagar el motor. Para liberar la presión debe girarse la perilla PRIME/SPRAY (cebar/atomizar) hasta la posición PRIME. Consulte el PROCEDIMIENTO PARA LIBERAR LA PRESIÓN que se describe en este manual.
- Mantenga puesto SIEMPRE el protector de la boquilla mientras atomice. El protector de la boquilla ofrece cierta protección contra lesiones por inyección pero es principalmente un dispositivo de advertencia.
- Quite SIEMPRE la boquilla del atomizador antes de enjuagar o limpiar el sistema.
- Pueden desarrollarse fugas en la manguera de pintura por causa del desgaste, retorcimientos o el abuso. Una fuga es capaz de inyectar el material en la piel. Cada vez que use la manguera de pintura, inspecciónela antes.
- NO use nunca una pistola de atomización que no tenga un bloqueador o un protector de gatillo puesto y que funcione.
- Todos los accesorios deben tener una capacidad de 3200 lb/pulg<sup>2</sup> / 221BAR o mayor. Esto incluye las boquillas de atomizador, pistolas, extensiones y mangueras.

**NOTA PARA EL MÉDICO: La inyección dentro de la piel es una lesión traumática. Es importante que la lesión se trate quirúrgicamente tan pronto como sea posible. NO retrase el tratamiento por investigar la toxicidad. La toxicidad es motivo de preocupación con algunos revestimientos que se inyectan directamente en la corriente sanguínea. Es recomendable consultar a un cirujano plástico o reconstructor de manos.**

**PELIGRO: EXPLOSIÓN O INCENDIO** - Los vapores de solventes y pintura pueden explotar o incendiarse, causando con esto lesiones severas y/o daños en la propiedad.

## PARA PREVENIR:

- Debe proveerse un escape y aire fresco para hacer que el aire que está dentro del área de atomización se mantenga libre de acumulaciones de vapores inflamables.
- Evite todas las fuentes de ignición como son las chispas electrostáticas, llamas abiertas, flamas de piloto, objetos calientes, cigarros, y chispas que se generan al conectar y desconectar las extensiones o de apagadores de luz que estén funcionando.
- No fume en la zona de trabajo.
- Debe haber un equipo para extinguir incendios permanentemente y en buenas condiciones.
- Coloque la bomba para pintar a un mínimo de 1 m (de preferencia más) en una habitación aparte, bien ventilada, alejada del objeto que va a pintar o a por lo menos 6 m de dicho objeto, en una zona bien ventilada (utilice una manguera más larga, si es necesario). Los gases inflamables a menudo son más pesados que el aire. La zona del piso debe tener la debida ventilación. La bomba para pintar contiene piezas que forman arcos que emiten chispas y pueden encender los gases.
- El equipo que se utilice, así como los objetos que estén dentro y alrededor del área de atomización, deben conectarse a tierra de manera apropiada para prevenir las descargas eléctricas y las chispas.

- Use solamente mangueras para fluidos de alta presión, conductoras o conectadas a tierra, para aplicaciones sin aire. Asegúrese de que la pistola esté conectada a tierra de manera apropiada, mediante conexiones de manguera.
- El cable de alimentación debe enchufarse a un circuito aterrado.
- Siempre enjuague la unidad en un recipiente de metal por separado, con presión baja en la bomba y sin la boquilla. Sostenga la pistola firmemente contra el recipiente para ponerlo a tierra y evitar chispas estáticas.
- Siga las advertencias y avisos de seguridad del fabricante de los materiales y solventes.
- Tenga muchísimo cuidado al usar materiales cuyo punto de ignición sea inferior a 70° F (21° C). El punto de ignición es la temperatura a la cual pueden encenderse los vapores emanados por un fluido al exponerlos a llamas o chispas.
- El plástico puede causar chispas estáticas. Nunca cuelgue plástico en las ventanas ni en las puertas del área donde va a pintar. No utilice plástico para proteger el piso cuando pinte materiales inflamables.
- Cuando enjuague el equipo utilice la presión más baja posible.

### MOTOR DE GAS (SEGÚN CORRESPONDA)

Coloque siempre la bomba fuera del edificio, al aire libre. Mantenga todo solvente alejado del escape del motor. Nunca llene el tanque de combustible si el motor está encendido o caliente. La superficie caliente puede encender el combustible derramado. Conecte siempre un conductor de tierra desde la unidad de la bomba a un objeto puesto a tierra, por ejemplo una tubería de agua metálica. Consulte el manual del motor para obtener información completa de seguridad.

**PELIGRO: PELIGRO DE EXPLOSIÓN DEBIDO A MATERIALES INCOMPATIBLES - Podría causar lesiones severas o daños en la propiedad.**

#### PARA PREVENIR:

- No utilice materiales que contengan blanqueador o cloro.
- No use solventes con hidrocarburos halogenados, tales como productos para eliminar el moho, cloruro de metileno y 1,1,1 - tricloroetano. Estos no son compatibles con el aluminio.
- Comuníquese con el proveedor del producto para obtener información de compatibilidad con materiales de aluminio.

**PELIGRO: GASES PELIGROSOS - Las pinturas, solventes, insecticidas y otros materiales pueden ser perjudiciales si se inhalan o entran en contacto con el cuerpo. Los gases pueden causar náusea, desmayos o envenenamiento graves.**

#### PARA PREVENIR:

- Use una mascarilla respiratoria o careta siempre que exista la posibilidad de que se puedan inhalar vapores. Lea todas las instrucciones que vengan con la careta para estar seguro de que se tendrá la protección necesaria contra la inhalación de vapores dañinos.
- Use gafas protectoras.
- Use ropa de protección, según lo requiera el fabricante del producto.

**PELIGRO: GENERAL - Puede causar daños en la propiedad o lesiones severas.**

#### PARA PREVENIR:

- Lea todas las instrucciones y advertencias de seguridad antes de hacer funcionar cualquier equipo.
- Desconecte siempre el motor del suministro eléctrico antes de dar servicio al equipo.
- Observe todos los códigos locales, estatales y nacionales apropiados que rigen las medidas de ventilación, prevención de incendios y operación.

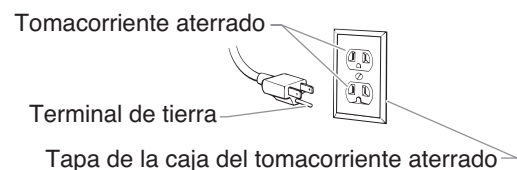
- Los Estándares de Seguridad del Gobierno de los Estados Unidos se han adoptado bajo el Acta de Seguridad y Salud Ocupacionales (OSHA por sus siglas en inglés). Deben consultarse estos estándares, particularmente la parte 1910 de los Estándares Generales y la parte 1926 de los Estándares de la Construcción.
- Utilice únicamente piezas autorizadas por el fabricante. El usuario asume todos los riesgos y responsabilidades si usa piezas que no cumplen con las especificaciones mínimas y dispositivos de seguridad del fabricante de la bomba.
- Antes de usarla cada vez, revise todas las mangueras para ver que no tengan cortadas, fugas, una cubierta desgastada por abrasión o con abolladuras, así como uniones dañadas o que se hayan movido. Si existiera cualquiera de estas condiciones, reemplace la manguera inmediatamente. No repare nunca una manguera de pintura. Reemplácela con otra manguera conectada a tierra.
- Todas las mangueras, soportes giratorios, pistolas y accesorios que se usen con esta unidad deben tener una capacidad de presión de 3200 lb/pulg<sup>2</sup> / 221 BAR o mayor.
- No atomice en días con viento.
- Use ropa que evite el contacto de la pintura con la piel y el cabello.

## Instrucciones para conectar a tierra

Este producto se debe conectar a tierra. En caso de que ocurra un corto circuito, la conexión a tierra reduce el riesgo de choque eléctrico al proporcionar un alambre de escape para la corriente eléctrica. Este producto está equipado con un cable que tiene un alambre de conexión a tierra con un enchufe de conexión a tierra apropiado. El enchufe se debe enchufar en una toma de corriente que se haya instalado y conectado a tierra debidamente, de acuerdo con todos los códigos y estatutos locales.

**PELIGRO** — Una instalación inapropiada del enchufe de conexión a tierra puede dar como resultado el que exista un riesgo de choque eléctrico. Si es necesario reparar o reemplazar el cable o el enchufe, no conecte el alambre de conexión a tierra a ninguno de los terminales de hoja planos. El alambre con aislamiento que tiene la superficie exterior de color verde con franjas amarillas o sin ellas es el alambre de conexión a tierra que debe conectarse al conector de conexión a tierra.

Verifique con un electricista o técnico de servicio calificado si las instrucciones para conectar a tierra no le han quedado completamente claras, o si duda que el producto haya quedado conectado a tierra de manera apropiada. No modifique el enchufe que se proporciona. Si el enchufe no entra en la toma de corriente, pídale a un electricista calificado que instale la toma apropiada.

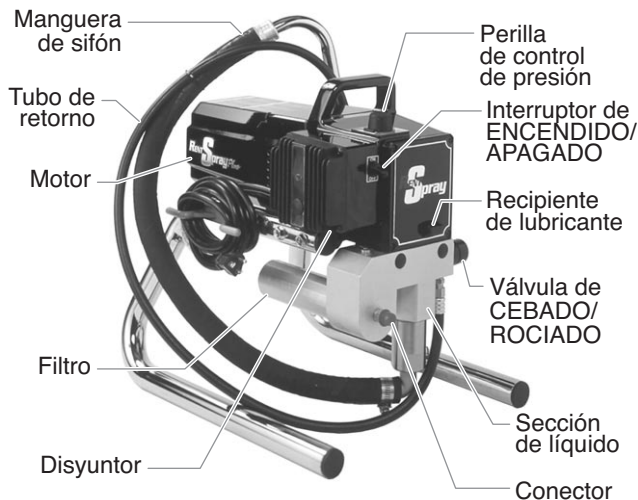


## ⚠ PRECAUCIÓN

Use solamente extensiones trifilares que tengan un enchufe de conexión a tierra de 3 hojas y un receptáculo de triple ranura que acepte el enchufe del producto. Asegúrese de que su extensión esté en buenas condiciones. Cuando use una extensión, asegúrese de usar una que sea lo suficientemente resistente como para soportar la corriente que descargue su producto. Un cable de un tamaño menor causará una caída de voltaje en la línea que dará como resultado una pérdida de energía y un sobrecalentamiento. Se recomienda usar un cable de calibre 12. Si se utiliza un cable de extensión en el exterior, tiene que estar marcado con el sufijo W-A después de la designación del tipo de cable. Por ejemplo, SJTW-A para indicar que el cable es apropiado para uso en exteriores.

## Descripción general

Este rociador sin aire es una herramienta precisa que se utiliza para rociar diferentes tipos de materiales. Lea y siga este manual de instrucciones minuciosamente para ver las instrucciones de operación apropiadas, así como también información de mantenimiento y seguridad.



## Funcionamiento

### ⚠ ADVERTENCIA

**Este equipo produce un flujo constante a presiones extremadamente altas. Lea detalladamente las advertencias de la sección Precauciones de seguridad en la parte delantera de este manual antes de operar este equipo.**

## Configuración

Realice el procedimiento a continuación antes de enchufar el cable de alimentación de una unidad eléctrica.

1. Asegúrese de que el juego de succión/tubo de sifón y la manguera de retorno estén conectados y asegurados.
2. Utilizando una llave, conecte una manguera rociadora sin aire de nylon 1/4" con un largo mínimo de 50 pies (15 metros) a la unidad. Apriete para asegurarla.
3. Conecte una pistola rociadora sin aire a la manguera rociadora. Utilizando dos llaves (una en la pistola y otra en la manguera), apriete para asegurarlas.

**NOTA: Todavía no conecte la punta a la pistola rociadora. Quite la punta si ya estaba conectada.**

### ⚠ ADVERTENCIA

**Fíjese que todas las mangueras sin aire y las pistolas rociadoras estén conectadas a tierra y que tengan una capacidad nominal mínima de 3200 psi (220 barios) de presión de fluido.**

4. Fíjese que la perilla de control de presión esté en la posición OFF (APAGADO) en la zona negra.
5. Fíjese que el interruptor de ON/OFF (ENCENDIDO/APAGADO) esté en la posición OFF (APAGADO).
6. Llene el recipiente con una cucharada de lubricante de sello de pistón (Piston Lube).

### ⚠ PRECAUCION

**Nunca haga funcionar la unidad durante más de 10 segundos sin líquido. La operación de esta unidad sin líquido ocasionará un desgaste innecesario de las empaquetaduras.**

7. Revise que el servicio eléctrico sea de 120V, 15 amperios, como mínimo.
8. Enchufe el cable de alimentación en un tomacorriente con conexión a tierra apropiada a una distancia mínima de 25 pies del área de rociado.

### ⚠ PRECAUCION

**Use siempre un cable de extensión de tres conductores, calibre 12 como mínimo, con enchufe conectado a tierra. Nunca retire la tercera pata ni use un adaptador.**

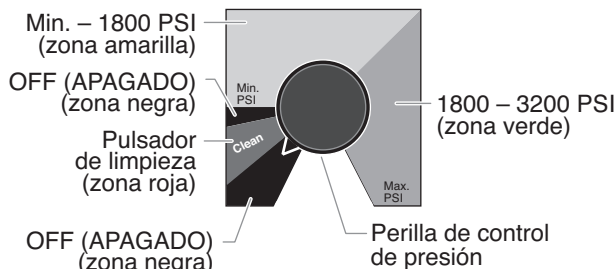
## Preparación de un rociador nuevo

Si esta unidad es nueva, se envía con un líquido de prueba en la sección de líquidos para evitar la corrosión durante el envío y almacenamiento. Este líquido debe retirarse completamente del sistema con alcoholes minerales antes de comenzar a rociar.

### ⚠ PRECAUCION

**Mantenga siempre el seguro del gatillo de la pistola rociadora en la posición bloqueada mientras prepara el sistema.**

1. Coloque el tubo de succión en un recipiente de alcoholes minerales con un punto de inflamación de 140°F (60°C) o superior.
2. Coloque la manguera de retorno en un recipiente metálico para desecho.
3. Fije la presión al mínimo girando la perilla de control de presión al ajuste "Min" en la zona amarilla.



4. Mueva hacia abajo la válvula PRIME/SPRAY (CEBADO/ROCIADO) a la posición PRIME (CEBADO).
5. Encienda la unidad moviendo el interruptor de ON/OFF (ENCENDIDO/APAGADO) a la posición ON (ENCENDIDO).
6. Deje funcionar el rociador entre 15 y 20 segundos para eliminar el resto del líquido de prueba a través de la manguera de retorno hacia el recipiente de desecho.
7. Apague la unidad moviendo el interruptor de ON/OFF (ENCENDIDO/APAGADO) a la posición OFF (APAGADO).

## Preparación para pintar

Antes de pintar, es importante revisar que el líquido del sistema sea compatible con la pintura que va a utilizar.

**NOTA: Los líquidos y pinturas incompatibles pueden causar que se atasquen cerradas las válvulas, lo cual puede necesitar que se desmonte y limpie la sección de líquidos del rociador.**

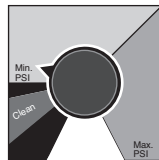
### ⚠ PRECAUCION

**Mantenga siempre el seguro del gatillo de la pistola rociadora en la posición bloqueada mientras prepara el sistema.**

1. Coloque el tubo de succión en un recipiente con el solvente apropiado para el material que se va a rociar (consulte las recomendaciones del fabricante del material). Un solvente adecuado es, por ejemplo, agua para pintura látex.
2. Coloque la manguera de retorno en un recipiente metálico para desecho.



3. Fije la presión al mínimo girando la perilla de control de presión al ajuste "Min" en la zona amarilla.
4. Mueva hacia abajo la válvula PRIME/SPRAY (CEBADO/ROCIADO) a la posición PRIME (CEBADO).
5. Encienda la unidad moviendo el interruptor de ON/OFF (ENCENDIDO/APAGADO) a la posición ON (ENCENDIDO).
6. Deje funcionar el rociador entre 15 y 30 segundos para eliminar el resto del solvente anterior a través de la manguera de retorno hacia el recipiente metálico de desecho.
7. Apague la unidad moviendo el interruptor de ON/OFF (ENCENDIDO/APAGADO) a la posición OFF (APAGADO).



**NOTA: Fíjese que la pistola rociadora no tenga instalada una punta o protección de punta.**

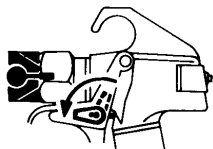
8. Mueva hacia arriba la válvula PRIME/SPRAY (CEBADO/ROCIADO) a la posición SPRAY (ROCIADO).
9. Encienda la unidad.
10. Desbloquee la pistola girando el seguro del gatillo de la pistola a la posición liberada.

### ⚠️ ADVERTENCIA

**Conecte a tierra la pistola apoyándola contra el borde del recipiente de metal mientras elimina el líquido. De lo contrario puede provocar la descarga de electricidad estática, lo cual a su vez puede ocasionar un incendio.**



11. Apriete el gatillo en el recipiente metálico para desecho hasta que el solvente usado salga y comience a salir solvente fresco de la pistola.
12. Bloquee la pistola girando el seguro del gatillo de la pistola a la posición bloqueada.
13. Deje hacia abajo la pistola y aumente la presión girando la perilla de control de presión lentamente en el sentido horario hacia la zona verde.
14. Revise todo el sistema en busca de fugas. Si ocurren fugas, siga el "Procedimiento para aliviar la presión" en este manual antes de apretar conectores o mangueras.
15. Siga el "Procedimiento para aliviar la presión" de este manual antes de cambiar de solvente a pintura.



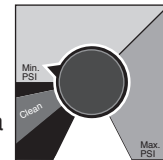
Coloque el seguro del gatillo en la posición de bloqueo.

### ⚠️ ADVERTENCIA

**No deje de seguir el procedimiento para aliviar la presión cuando apague la unidad por cualquier motivo, incluso el servicio o ajuste de alguna pieza del sistema de rociado, cambio o limpieza de las puntas rociadoras o la preparación para la limpieza.**

## Pintura

1. Coloque el tubo de succión en un recipiente de pintura.
2. Coloque la manguera de retorno en un recipiente metálico para desecho.
3. Fije la presión al mínimo girando la perilla de control de presión al ajuste "Min" en la zona amarilla.
4. Mueva hacia abajo la válvula PRIME/SPRAY (CEBADO/ROCIADO) a la posición PRIME (CEBADO).
5. Encienda la unidad moviendo el interruptor de ON/OFF (ENCENDIDO/APAGADO) a la posición ON (ENCENDIDO).
6. Deje funcionar el rociador hasta que empiece a pasar pintura a través de la manguera de retorno hacia el recipiente metálico de desecho.
7. Apague la unidad moviendo el interruptor de ON/OFF (ENCENDIDO/APAGADO) a la posición OFF (APAGADO).
8. Retire la manguera de retorno del recipiente para desecho y colóquela en la posición de operación, sobre el recipiente de pintura.
9. Mueva hacia arriba la válvula PRIME/SPRAY (CEBADO/ROCIADO) a la posición SPRAY (ROCIADO).
10. Encienda la unidad.
11. Desbloquee la pistola girando el seguro del gatillo de la pistola a la posición liberada.

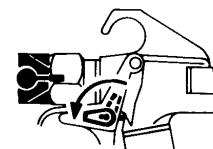


### ⚠️ ADVERTENCIA

**Conecte a tierra la pistola apoyándola contra el borde del recipiente de metal mientras elimina el líquido. De lo contrario puede provocar la descarga de electricidad estática, lo cual a su vez puede ocasionar un incendio.**



12. Apriete el gatillo en el recipiente metálico para desecho hasta que todo el aire y el solvente usado salga de la manguera rociadora y comience a salir pintura libremente de la pistola.
13. Bloquee la pistola girando el seguro del gatillo de la pistola a la posición bloqueada.
14. Apague la unidad.
15. Coloque la protección y la punta en la pistola según se indica en los manuales de las mismas.



Coloque el seguro del gatillo en la posición de bloqueo.

### ⚠️ ADVERTENCIA

**POSIBLE PELIGRO DE INYECCIÓN. No rocíe sin la protección de la punta en su lugar. Nunca apriete el gatillo de la pistola a menos que la punta esté en la posición de rociado o desatasco. Siempre coloque el seguro del gatillo de la pistola antes de retirar, reemplazar o limpiar la punta.**

16. Encienda la unidad.
17. Aumente la presión girando la perilla de control de presión lentamente en el sentido horario hacia la zona verde y pruebe el patrón de rociado en un trozo de cartón. Ajuste la perilla de control de presión hasta que la pistola rocíe en forma completamente atomizada. Trate de mantener la perilla de control de presión en la posición mínima que mantenga una buena atomización.

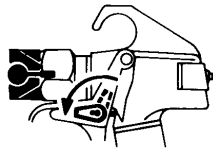
**NOTA: Si se sube la presión más de lo necesario para atomizar la pintura causará el desgaste prematuro de la punta y rociará en exceso.**

## Procedimiento para aliviar la presión

### ⚠ ADVERTENCIA

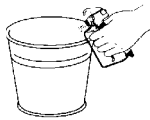
No deje de seguir el procedimiento para aliviar la presión cuando apague la unidad por cualquier motivo, incluso el servicio o ajuste de alguna pieza del sistema de rociado, cambio o limpieza de las puntas rociadoras o la preparación para la limpieza.

1. Bloquee la pistola girando el seguro del gatillo de la pistola a la posición bloqueada.
2. Apague la unidad moviendo el interruptor de ON/OFF (ENCENDIDO/APAGADO) a la posición OFF (APAGADO).
3. Gire la perilla de control de presión en sentido antihorario a su posición OFF (APAGADO) en la zona negra.



Coloque el seguro del gatillo en la posición de bloqueo.

4. Desbloquee la pistola girando el seguro del gatillo de la pistola a la posición liberada.
5. Sostenga firmemente la parte metálica de la pistola contra el lado de un recipiente metálico para conectar a tierra la pistola y evitar la acumulación de electricidad estática.
6. Accione el gatillo para aliviar toda presión que haya quedado en la manguera.
7. Bloquee la pistola girando el seguro del gatillo de la pistola a la posición bloqueada.
8. Mueva hacia abajo la válvula PRIME/SPRAY (CEBADO/ROCIADO) a la posición PRIME (CEBADO).



## Rociado

### ⚠ ADVERTENCIA

**POSIBLE PELIGRO DE INYECCIÓN.** No rocíe sin la protección de la punta en su lugar. Nunca apriete el gatillo de la pistola a menos que la punta esté en la posición de rociado o desatasco. Siempre coloque el seguro del gatillo de la pistola antes de retirar, reemplazar o limpiar la punta.

### Técnica de rociado

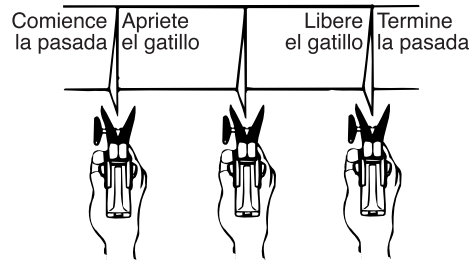
Cuando se sigan las técnicas a continuación, se asegurarán resultados profesionales al pintar.

Sostenga la pistola en forma perpendicular a la superficie y siempre a la misma distancia. Dependiendo del tipo de material, superficie o patrón de rociado deseado, la pistola debe sostenerse a una distancia entre 12 a 14 pulgadas (30 a 35 cm).

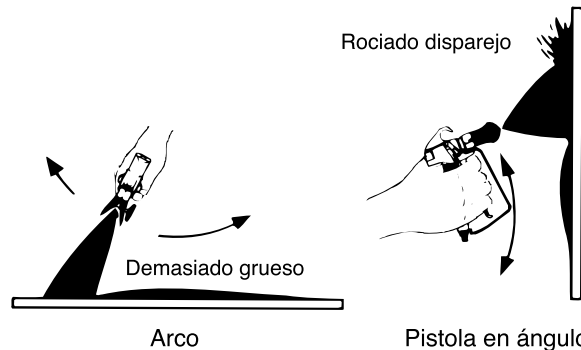
Mueva la pistola ya sea horizontal o verticalmente por la superficie a una velocidad constante. Moviéndola a una velocidad constante se conserva material y se obtiene una cobertura pareja. La velocidad de rociado correcta permite aplicar una capa de pintura fresca sin chorrear ni exceder la cantidad de pintura.

Si se sostiene la pistola más cerca de la superficie se deposita más pintura sobre la superficie y se produce un patrón de pintura más angosto. Si se sostiene la pistola más lejos de la superficie se produce una capa más delgada de pintura y un patrón de rociado más amplio. Si ocurren chorreos, corrimiento o exceso de pintura, cambie a una punta de rociado con un orificio más pequeño. Si hay una cantidad insuficiente de pintura en la superficie o desea rociar más rápido, debe seleccionar una punta con orificio más grande.

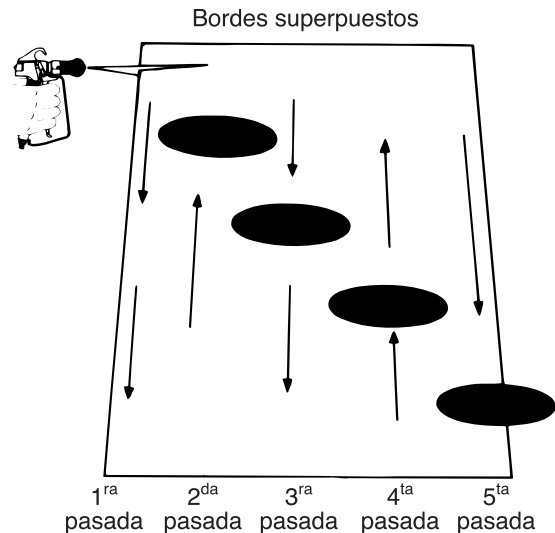
Haga una pasada uniforme para rociar. Rocíe en forma alternada de izquierda a derecha y viceversa. Comience el movimiento de la pistola antes de presionar el gatillo.



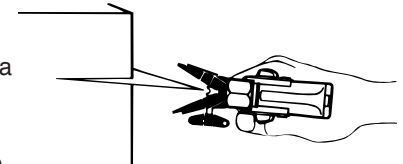
Evite hacer arcos o sostener la pistola en ángulo. Esto causará un aspecto disparejo.



La superposición adecuada (solapando el patrón de rociado) es algo indispensable para lograr un acabado parejo. Superponga cada pasada. Si rocía horizontalmente, apunte al borde inferior de la pasada precedente, de tal modo que se superponga al patrón anterior en un 50%.



Para las esquinas y bordes, separe el centro del patrón de rociado en la esquina o borde y rocíe verticalmente de manera que ambas secciones reciban aproximadamente la misma cantidad de pintura.



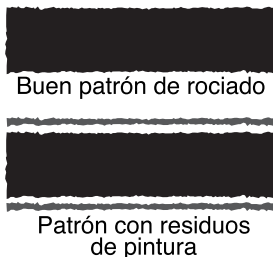
Cuando rocíe con una protección, sosténgala firmemente contra la superficie. Coloque la pistola levemente en ángulo apuntando desde la protección hacia la superficie. Esto evitará que se fuerce pintura por debajo.

Los arbustos junto a las casas deben amarrarse hacia atrás y cubrirse con tela de lona. La tela debe quitarse lo más pronto posible. Las extensiones de pistola Titan son sumamente útiles en estas situaciones.

Deben alejarse o cubrirse los objetos cercanos como automóviles, muebles de terraza, etc. siempre que se encuentren en la cercanía de un trabajo de pintura. Tenga cuidado con otros objetos circundantes que puedan dañarse con el exceso de rociado.

## Práctica

1. Revise que la manguera de pintura no tenga dobleces y esté alejada de objetos con bordes cortantes.
2. Gire la perilla de control de presión en sentido antihorario a su posición más baja.
3. Gire hacia arriba la válvula PRIME/SPRAY (CEBADO/ROCIADO) a su posición SPRAY (ROCIADO).
4. Gire la perilla de control de presión en sentido horario hasta el ajuste más alto. La manguera de pintura se endurecerá a medida que la pintura comience a fluir.
5. Libere el seguro del gatillo de la pistola.
6. Apriete el gatillo de la pistola rociadora para purgar el aire de la manguera.
7. Cuando la pintura llegue a la boquilla, rocíe un área de prueba para examinar el patrón de rociado.
8. Use el ajuste de presión más bajo necesario para obtener un buen patrón de rociado. Si el ajuste de presión está muy alto, el patrón de rociado será muy liviano. Si la presión es demasiado baja, aparecerán residuos o la pintura salpicará en exceso en lugar de salir como un rocío fino.



## Limpieza

### ⚠️ ADVERTENCIA

#### Instrucciones de limpieza especiales para usar con solventes inflamables:

- Siempre lave la pistola rociadora preferiblemente afuera y alejada por lo menos un largo de manguera de la bomba rociadora.
- Si recoge los solventes lavados en un recipiente metálico de un galón, colóquelo en un recipiente vacío de cinco galones, luego lave los solventes.
- El área debe estar libre de vapores inflamables.
- Siga todas las instrucciones de limpieza.

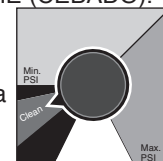
### ⚠️ PRECAUCIÓN

Deben limpiarse el rociador, la manguera y la pistola totalmente después del uso diario. De lo contrario, se permite la acumulación de material, afectando seriamente el rendimiento de la unidad.

### ⚠️ ADVERTENCIA

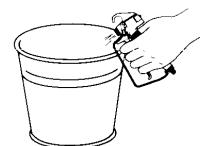
**Siempre rocíe con la presión mínima y sin la boquilla de la pistola al utilizar alcoholes minerales u otros solventes para limpiar el rociador, la manguera o la pistola. La acumulación de electricidad estática puede producir un incendio o explosión en la presencia de vapores inflamables.**

1. Siga el "Procedimiento de alivio de presión" de la sección Operación de este manual.
2. Retire la punta de la pistola y la protección y limpie con un cepillo usando el solvente adecuado.
3. Coloque el tubo de succión en un recipiente con el solvente adecuado (consulte las recomendaciones del fabricante del material). Un solvente adecuado es, por ejemplo, el agua para la pintura látex.
4. Coloque la manguera de retorno en un recipiente metálico para desecho.
5. Mueva hacia abajo la válvula PRIME/SPRAY (CEBADO/ROCIADO) a su posición PRIME (CEBADO).
6. Fije la presión en PulseClean (PULSADOR DE LIMPIEZA) girando la perilla de control de presión a su posición CLEAN (PULSADOR DE LIMPIEZA) en la zona roja.
7. Encienda la unidad moviendo el interruptor de ON/OFF (ENCENDIDO/APAGADO) a la posición ON (ENCENDIDO).
8. Deje circular el solvente a través de la unidad y purgue la pintura de la manguera de retorno hacia el recipiente metálico para desecho.
9. Apague la unidad moviendo el interruptor de ON/OFF (ENCENDIDO/APAGADO) a la posición OFF (APAGADO).
10. Mueva hacia arriba la válvula PRIME/SPRAY (CEBADO/ROCIADO) a su posición SPRAY (ROCIADO).
11. Encienda la unidad.



### ⚠️ ADVERTENCIA

**Conecte a tierra la pistola apoyándola contra el borde del recipiente de metal mientras elimina el líquido. De lo contrario puede provocar la descarga de electricidad estática, lo cual a su vez puede ocasionar un incendio.**



12. Dispare la pistola en el recipiente metálico para desecho hasta que se haya purgado toda la pintura de la manguera y esté saliendo solvente de la pistola.
13. Continúe apretando el gatillo de la pistola rociadora en el recipiente de desecho hasta que el solvente que salga por la pistola esté sin pintura.

**NOTA: Para el almacenamiento a largo plazo o en temperaturas frías, haga pasar alcoholes minerales a través del sistema completo.**

**Para el almacenamiento a corto plazo cuando esté usando pintura látex, haga pasar agua mezclada con Titan Liquid Shield a través del sistema completo (para ver el número de pieza, consulte la sección Accesorios de este manual).**

14. Siga el "Procedimiento de alivio de presión" de la sección Operación de este manual.
15. Desenchufe la unidad y almacénela en un área limpia y seca.

### ⚠️ PRECAUCIÓN

No almacene la unidad bajo presión.

# Mantenimiento

## ⚠ ADVERTENCIA

Antes de proceder, siga el Procedimiento de alivio de presión presentado anteriormente en este manual. Además, siga todas las otras advertencias para reducir el riesgo de una lesión por inyección, lesiones por piezas en movimiento o choque eléctrico. ¡Siempre desenchufe el rociador antes de darle servicio!

## Notas generales de reparación y servicio

Se necesitan las herramientas siguientes para reparar el rociador:

Destornillador Phillips	Llave hexagonal de 3/8 de pulgada
Alicates de punta	Llave hexagonal de 5/16 de pulgada
Llave ajustable	Llave hexagonal de 1/4 de pulgada
Mazo de goma	Llave hexagonal de 3/16 de pulgada
Destornillador de paleta	Llave hexagonal de 5/32 de pulgada

1. Antes de reparar alguna parte del rociador, lea minuciosamente las instrucciones, incluidas todas las advertencias.

## ⚠ PRECAUCION

Nunca tire del cable para desconectarlo. Al hacerlo podría soltarse el conector del cable.

2. Pruebe su reparación antes de usar rociador normalmente para verificar que se haya resuelto el problema. Si el rociador no funciona bien, revise el procedimiento de reparación para determinar si todo se ha realizado en forma correcta. Consulte los cuadros de Solución de problemas para ayudar a identificar otros problemas posibles.
3. Compruebe que el área de servicio esté bien ventilada en caso de que se estén utilizando solventes durante la limpieza. Al hacer el mantenimiento siempre use gafas de protección. Puede que se necesite equipo protector adicional dependiendo del tipo de solvente de limpieza. Siempre pida recomendaciones al proveedor de solventes.
4. Si tiene otras preguntas referentes al rociador Titan, llame a Titan:

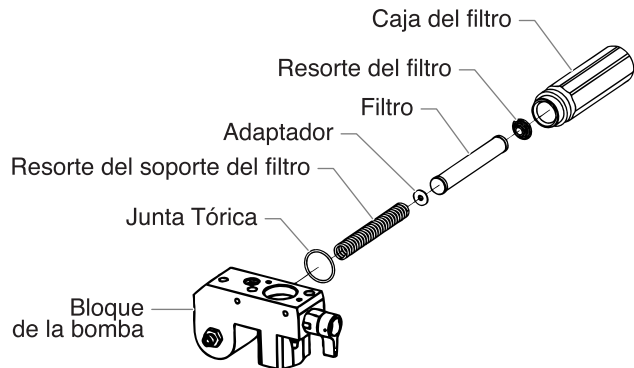
Servicio al cliente (EE.UU.)	1-800-526-5362
Fax	1-800-528-4826
Servicio al cliente (Canadá)	1-800-565-8665
Fax	1-905-856-8496
Servicio al cliente (Internacional)	1-201-405-7520
Fax	1-201-405-7449

# Reemplazo de los filtros

## Filtro de la bomba

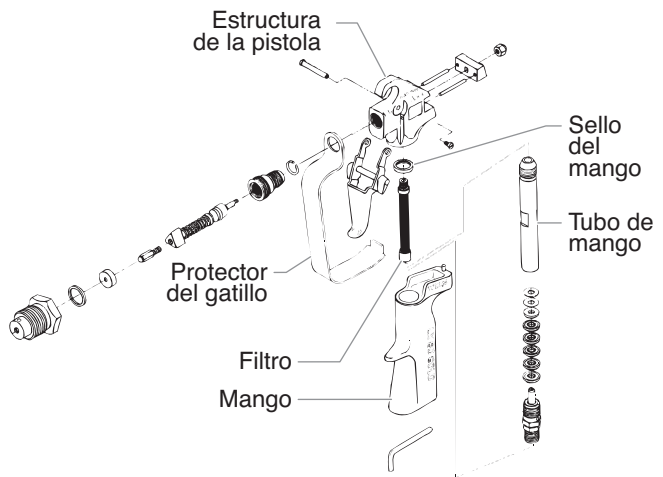
1. Suelte y retire la caja del filtro con la mano.
2. Quite el filtro deslizando el resorte del soporte del mismo.
3. Inspeccione el filtro. Según sea la inspección, limpie o reemplace el filtro.
4. Inspeccione la junta tórica. Según sea la inspección, limpie o reemplace la junta tórica.
5. Deslice el filtro nuevo o limpio sobre el resorte del soporte del mismo con el adaptador en su sitio. Empuje el filtro en el centro del bloque de la bomba.
6. Deslice la caja del filtro sobre el filtro y atorníllela en el bloque de la bomba hasta que quede firme.

**NOTA:** La caja del filtro debe apretarse manualmente, pero revise que quede asentada totalmente en el bloque de la bomba.



## Filtro de la pistola

1. Mueva el seguro del gatillo de la pistola a la posición liberada.
  2. Suelte y retire el mango de la pistola.
  3. Girando en el sentido horario, destornille el filtro de la pistola.
- NOTA:** Con los roscados hacia la izquierda se debe girar el filtro en el sentido horario para retirarlo.
4. Girando en el sentido antihorario, atornille el filtro nuevo o limpio en la pistola.
  5. Revise que el sello del mango esté en posición y atornille el mango en la pistola hasta que quede firme.
  6. Mueva el seguro del gatillo de la pistola a la posición bloqueada.



**NOTA:** Para ver mayores detalles, información de números de pieza y dibujos de montaje a mayor escala, consulte el manual del propietario de la pistola sin aire profesional LX-80 Gold (Núm. 313-687).



## Reemplazo del motor

1. Desenchufe la unidad.
2. Suelte y retire los cuatro tornillos de la cubierta del motor. Quite la cubierta del motor.
3. Desconecte los alambres negro y rojo provenientes de la caja de la bomba. Desconecte los alambres negro y rojo de los condensadores. Desconecte los alambres negro y rojo del motor.
4. Retire los condensadores de su soporte de montaje.
5. Suelte y retire los cuatro tornillos de montaje del motor.
6. Extraiga el motor de la caja de la bomba.

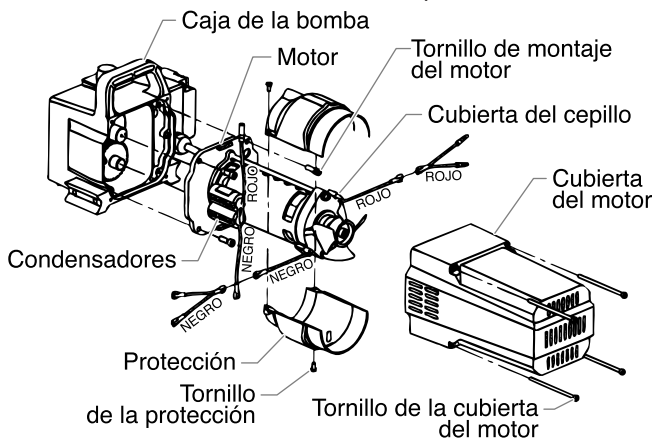
**NOTA: Si el motor no se libera de la caja de la bomba:**

- Retire la placa de cubierta frontal.
- Usando un mazo de goma, golpee cuidadosamente en la parte frontal del cigüeñal del motor que se extiende a través de la vara conectora.

7. Una vez retirado el motor, inspeccione para ver si hay daños o desgaste excesivo de los engranajes en la caja de la bomba. Si es necesario reemplace los engranajes.
8. Instale el motor nuevo en la caja de la bomba.

**NOTA: Gire manualmente el ventilador del motor hasta que se enganchen los engranajes del inducido con el engranaje en la caja de la bomba.**

9. Asegure el motor con sus cuatro tornillos de montaje.
10. Presione los condensadores en su soporte en el motor nuevo.
11. Vuelva a conectar los alambres (consulte el esquema eléctrico en la sección de la Lista de piezas de este manual).
12. Coloque la cubierta del motor. Asegure la cubierta del motor con los cuatro tornillos correspondientes.



## Reemplazo de los cepillos del motor

Realice este procedimiento usando el Juego de cepillos del motor N/P 704-276.

1. Suelte y retire los cuatro tornillos de la cubierta del motor. Quite la cubierta del motor.
2. Suelte y retire los dos tornillos de la protección. Retire la protección.
3. Usando un destornillador pequeño, apalanque para extraer las dos cubiertas plásticas de los cepillos.
4. Desconecte los alambres negro y rojo de los cepillos del motor. Retire los cepillos del motor.
5. Instale los nuevos cepillos del motor y encaje a presión las cubiertas plásticas de los cepillos.
6. Vuelva a conectar los alambres negro y rojo de los cepillos del motor (consulte el esquema eléctrico en la sección de la Lista de piezas de este manual).
7. Ponga la protección sobre el ventilador del motor. Asegure la protección con los dos tornillos correspondientes.
8. Coloque la cubierta del motor. Asegure la cubierta del motor con los cuatro tornillos correspondientes.

## Reemplazo de los engranajes

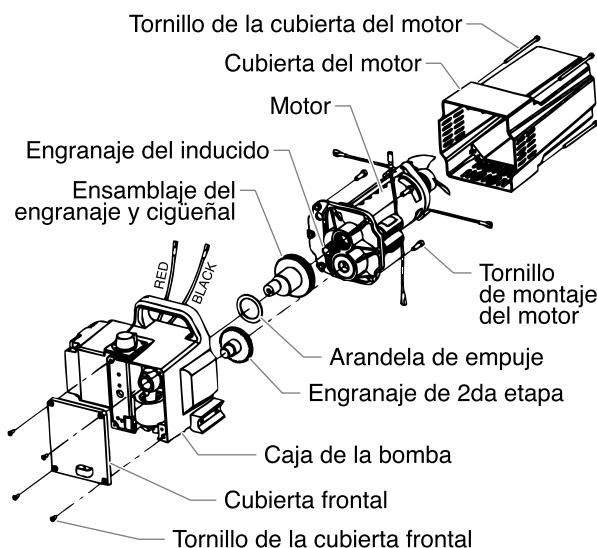
1. Suelte y retire los cuatro tornillos de la cubierta del motor. Quite la cubierta del motor.
2. Desconecte los alambres negro y rojo provenientes de la caja de la bomba.
3. Suelte y retire los cuatro tornillos de montaje del motor.
4. Extraiga el motor de la caja de la bomba.

**NOTA: Si el motor no se libera de la caja de la bomba:**

- Retire la placa de cubierta frontal.
- Usando un mazo de goma, golpee cuidadosamente en la parte frontal del cigüeñal del motor que se extiende a través de la vara conectora.

5. Inspeccione para ver si hay daños o desgaste excesivo en el engranaje del inducido en el extremo del motor. Si este engranaje está completamente desgastado, reemplace el motor completo.
6. Retire e inspeccione para ver si hay daños o desgaste excesivo en el engranaje de la 2da etapa. Reemplace según sea necesario.
7. Retire e inspeccione para ver si hay daños o desgaste excesivo en el ensamblaje de engranaje y cigüeñal. Reemplace según sea necesario.
8. Vuelva a ensamblar la bomba invirtiendo los pasos anteriores. Durante el reensamblaje, fíjese que las arandelas de empuje estén en su lugar.

**NOTA: Llene la caja de engranajes con cinco onzas de Lubriplate (N/P 314-171).**



## Reemplazo del transductor

1. Suelte y retire los cuatro tornillos de la cubierta frontal. Desmonte la cubierta delantera.
2. Detenga el rociador en la parte de abajo de la carrera de tal modo que el pistón esté en su posición más baja. Apague y desenchufe el rociador.

**⚠ ADVERTENCIA**

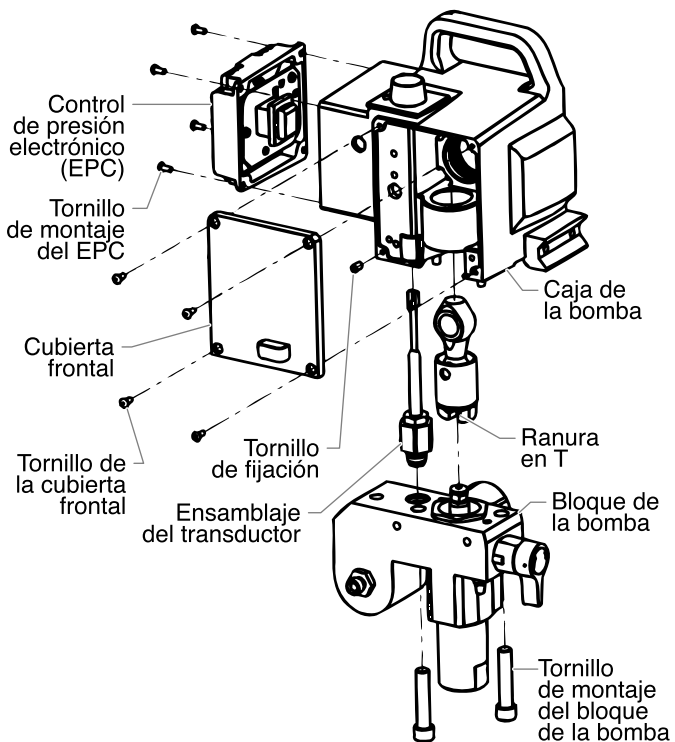
**Antes de proceder, siga el Procedimiento de alivio de presión presentado anteriormente en este manual. Además, siga todas las otras advertencias para reducir el riesgo de una lesión por inyección, lesiones por piezas en movimiento o choque eléctrico. ¡Siempre desenchufe el rociador antes de darle servicio!**

3. Inclina la bomba hacia atrás para ingresar más fácilmente a la sección de líquido.

- Usando una llave hexagonal de 3/8 de pulgada, suelte y retire los dos tornillos de montaje del bloque de la bomba.
- Baje el bloque de la bomba aproximadamente 1/2 pulgadas de la caja de la bomba para dejar paso al transductor.
- Deslice el bloque de la bomba y la vara del pistón hacia adelante hasta que la vara del pistón quede fuera de la ranura en T de la vara conectora.
- Suelte y retire los cuatro tornillos de montaje del control de presión electrónico (EPC).
- Eche atrás el EPC para ingresar al enchufe del transductor.
- Desenchufe la conexión del transductor de la ubicación "JP3" de la placa EPC (consulte el esquema eléctrico en la sección de la Lista de piezas de este manual).
- Usando una llave hexagonal de 3/8 de pulgada, suelte y retire el tornillo de fijación de la parte inferior de la caja de la bomba.
- Extraiga el ensamblaje del transductor por la parte inferior de la caja de la bomba.
- Instale el ensamblaje del transductor nuevo en la caja de la bomba.
- Atornille el tornillo de fijación en la caja de la bomba y apriete firmemente.
- Enchufe la conexión del transductor en la ubicación "JP3" de la placa EPC (consulte el esquema eléctrico en la sección de la Lista de piezas de este manual).
- Vuelva a ensamblar la bomba invirtiendo los pasos del 1 al 8.

## PRECAUCION

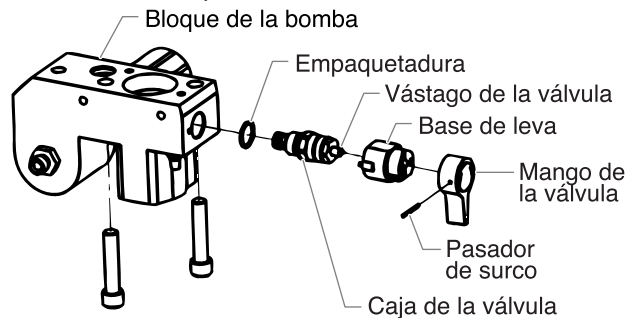
Revise que el transductor esté alineado correctamente con el agujero en el bloque de la bomba durante el reensamblaje. El alineamiento erróneo puede causar daños a la empaquetadura del transductor.



## Reemplazo de la válvula de CEBADO/ROCIADO

Usando el juego de reemplazo de la válvula CEBADO/ROCIADO N/P 700-258 realice el procedimiento a continuación.

- Empuje el pasador de surco fuera del mango de la válvula.
- Retire el mango de la válvula y la base de leva.
- Con una llave, suelte y retire la caja de la válvula.
- Fíjese que la empaquetadura esté en su sitio y atornille la caja de la válvula nueva en el bloque de la bomba. Apriete firmemente con la llave.
- Coloque la base de leva sobre el ensamblaje de la caja de la válvula. Lubrique la base de leva con grasa y alinee la leva con el bloque de la bomba.
- Alinee el agujero del vástago de la válvula con el agujero del mango de la válvula.
- Inserte el pasador de surco en el mango de la válvula y a través del vástago de la válvula para asegurar el mango de la misma en posición.



## Servicio a la sección de líquidos

Use los procedimientos siguientes para dar servicio a las válvulas y volver a poner empaquetaduras en la sección de líquidos. Realice los pasos a continuación antes de ejecutar todo mantenimiento en la sección de líquido.

- Suelte y retire los cuatro tornillos de la cubierta frontal. Desmonte la cubierta delantera.
- Detenga el rociador en la parte de abajo de la carrera de tal modo que el pistón esté en su posición más baja. Apague y desenchufe el rociador.

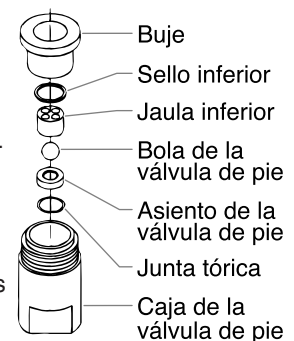
## ADVERTENCIA

Antes de proceder, siga el Procedimiento de alivio de presión presentado anteriormente en este manual. Además, siga todas las otras advertencias para reducir el riesgo de una lesión por inyección, lesiones por piezas en movimiento o choque eléctrico. ¡Siempre desenchufe el rociador antes de darle servicio!

- Destornille el ensamblaje de la manguera de retorno del bloque de la bomba.
- Retire el soporte de retención que sostiene el juego de succión en la válvula de pie. Extraiga el juego de succión de la válvula de pie.
- Incline la bomba hacia atrás para ingresar más fácilmente a la sección de líquido.

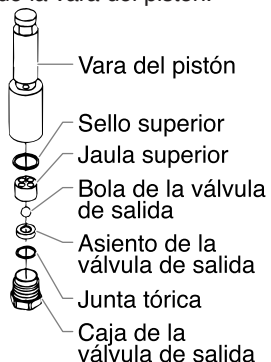
## Servicio a las válvulas

El diseño de la sección de líquido de Titan permite el acceso a la válvula de pie y su asiento así como también a la válvula de salida y su asiento sin necesidad de desmontar completamente la sección de líquido. Es posible que las válvulas no se asienten correctamente debido a residuos atrapados en el asiento de la válvula de pie o en la válvula de salida. Use las instrucciones a continuación para limpiar las válvulas e invertir o reemplazar los asientos.



1. Con una llave, suelte y retire la caja de la válvula de pie del bloque de la bomba.
2. Limpie todo residuo de la caja de la válvula de pie y examine la caja y el asiento de la misma. Si el asiento está dañado, inviértalo o reemplácelo.
3. Usando una llave de cubo de 3/4 de pulgada, suelte y retire la caja de la válvula de salida desde la vara del pistón.

**NOTA: Siempre dé servicio a la válvula de salida con la vara del pistón conectada a la bomba. Esto evitará que gire la vara del pistón durante el desmontaje de la válvula de salida.**

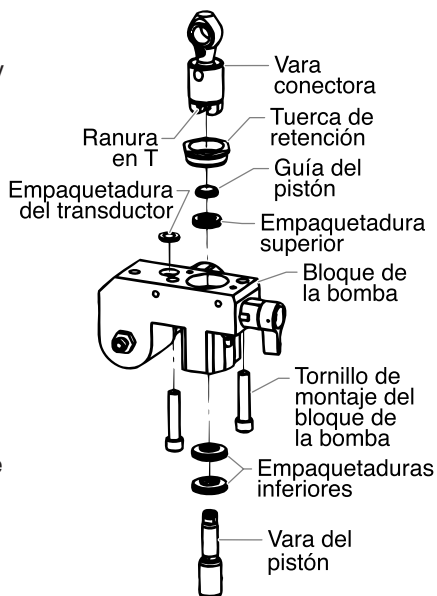


4. Limpie los residuos y examine la caja de la válvula y el asiento. Si el asiento está dañado, inviértalo o reemplácelo.
5. Retire, limpie e inspeccione la jaula superior y la bola superior. Reemplácelas si están gastadas o dañadas.
6. Vuelva a montar las válvulas invirtiendo los pasos anteriores.

### Reemplazo de empaquetaduras de la sección de líquidos

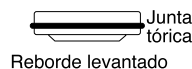
**NOTA: Las empaquetaduras instaladas por la fábrica son de color negro. Las empaquetaduras de repuesto del juego de recambio son blancas.**

1. Quite los ensamblajes de la válvula de pie y de salida usando los pasos del procedimiento "Servicio de las válvulas" anterior.
2. Usando una llave hexagonal de 3/8 de pulgada, suelte y retire los dos tornillos de montaje del bloque de la bomba.
3. Baje el bloque de la bomba aproximadamente 1/2 pulgadas de la caja de la bomba.
4. Deslice el bloque de la bomba y la vara del pistón hacia adelante hasta que la vara del pistón quede fuera de la ranura en T de la vara conectora.
5. Deslice la vara del pistón a través de la parte inferior del bloque de la bomba.
6. Suelte y quite la tuerca de retención y la guía del pistón del bloque de la bomba.
7. Retire las empaquetaduras superior e inferior del bloque de la bomba.

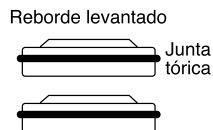


8. Limpie el bloque de la bomba e instale las empaquetaduras nuevas superior e inferior. Consulte la ilustración a continuación para ver la orientación correcta de las empaquetaduras.

Instale la empaquetadura superior con el reborde levantado y la junta tórica apuntando hacia abajo.



Instale las empaquetaduras inferiores con el reborde levantado y la junta tórica apuntando hacia arriba.



9. Inspeccione la vara del pistón en busca de desgaste y cámbiela si es necesario.
10. Vuelva a montar el ensamblaje de la válvula de salida en la vara del pistón. Apriete la caja de la válvula de salida con una llave hasta que quede firme.

**NOTA: Use la ranura en T de la vara conectora para sostener en su sitio la vara del pistón mientras asegura la caja de la válvula de salida.**

### PRECAUCIÓN

**Nunca use una llave en el pistón mismo. Esto podría dañar el pistón y causar fugas.**

11. Inserte la guía del pistón en la tuerca de retención. Atornille la tuerca de retención en el bloque de la bomba hasta que quede firme manualmente.
12. Deslice la herramienta de la guía del pistón (incluida en el juego para reemplazar empaquetaduras) sobre la parte superior de la vara del pistón a través de la parte inferior del bloque de la bomba. Usando un mazo de goma, golpee la parte inferior de la vara del pistón ligeramente hasta que ésta quede en posición dentro del bloque de la bomba.

**NOTA: Recubra la herramienta de la guía del pistón y la vara del pistón con grasa antes de insertarlas en el bloque de la bomba.**

13. Usando una llave, apriete la tuerca de retención firmemente.
14. Deslice la parte superior de la vara del pistón dentro de la ranura en T en la vara conectora.
15. Ponga el bloque de la bomba debajo de la caja de la bomba y empújelo hacia arriba hasta que descance contra la caja de la bomba.

### PRECAUCIÓN

**Revise que el transductor esté alineado correctamente con el agujero en el bloque de la bomba durante el reensamblaje. El alineamiento erróneo puede causar daños a la empaquetadura del transductor.**

16. Instale los tornillos de montaje del bloque de la bomba a través del bloque de la bomba y dentro de la caja de la bomba. Apriete firmemente.
17. Vuelva a montar el ensamblaje de la válvula de pie en el bloque de la bomba.
18. Inserte el codo del ensamblaje del juego de succión dentro de la parte inferior de la válvula de pie. Ponga el soporte de retención en la válvula de pie para asegurar el conjunto de succión.
19. Instale la manguera de retorno en el bloque de la bomba y apriete firmemente.
20. Ponga la cubierta frontal de la caja de la bomba y asegúrela en posición usando los cuatro tornillos de la cubierta frontal.
21. Encienda el rociador siguiendo el procedimiento de la sección "Operación" de este manual y revise si hay fugas.

**NOTA: Se ofrece el juego para reemplazar empaquetaduras N/P 730-401. Para obtener óptimos resultados use todas las piezas suministradas en este juego.**

# Solución de problemas

## Problema

No funciona la unidad.

## Causa

1. La unidad no está enchufada.
2. Disyuntor disparado.
3. Ajuste de presión demasiado bajo (la perilla de control de presión en su ajuste mínimo no suministra energía a la unidad).
4. Conexiones defectuosas o sueltas.
5. Temperatura excesiva del motor
6. Interruptor ON/OFF defectuoso.

## Solución

1. Enchufe la unidad.
2. Reajuste el disyuntor.
3. Gire la perilla de control de presión en la dirección de las agujas del reloj para suministrar energía a la unidad y aumentar el ajuste de presión.
4. Inspeccione o lleve a un centro de servicio autorizado por Titan.
5. Deje que el motor se enfríe.
6. Reemplace el interruptor ON/OFF.

No se ceba la unidad.

1. La válvula PRIME/SPRAY (CEBADO/ROCIADO) está en la posición SPRAY.
2. Fuga de aire en el tubo de sifón/juego de succión.
3. El filtro de bomba y/o la malla de entrada está obstruido.
4. El tubo de sifón/juego de succión está obstruido.

1. Gire la válvula PRIME/SPRAY (CEBADO/ROCIADO) en la dirección de las agujas del reloj hasta la posición PRIME (CEBADO).
2. Compruebe la conexión del tubo de sifón/juego de succión y apriete o vuelva a asegurar la conexión con cinta PTFE.
3. Quite el elemento del filtro de bomba y límpielo. Quite la malla de entrada y límpiela.
4. Quite el tubo de sifón/juego de succión y límpielo.

La unidad no crea presión ni la mantiene.

1. La punta rociadora está desgastada.
2. La punta rociadora es demasiado grande.
3. La perilla de control de presión no está debidamente ajustada.
4. El filtro de bomba, el filtro de la pistola o la malla de entrada están obstruidos.
5. El material fluye desde la manguera de retorno cuando la válvula PRIME/SPRAY (CEBADO/ROCIADO) está en la posición SPRAY.
6. Fuga de aire en el tubo de sifón/juego de succión.
7. Existe una fuga de fluido externa.
8. Existe una fuga en la sección de líquidos interna (las empaquetaduras están desgastadas o sucias, las bolas de las válvulas están desgastadas).
9. Los asientos de las válvulas están desgastados
10. El motor tiene alimentación pero no gira.

1. Quite la punta rociadora siguiendo las instrucciones suministradas con la pistola rociadora.
2. Reemplace la punta rociadora por una punta que tenga un orificio más pequeño siguiendo las instrucciones suministradas con la pistola rociadora.
3. Gire la perilla de control de presión en la dirección de las agujas del reloj para incrementar el ajuste de presión.
4. Quite el elemento del filtro de bomba y límpielo. Quite el filtro de la pistola y límpielo. Quite la malla de entrada y límpiela.
5. Limpie o reemplace la válvula PRIME/SPRAY (CEBADO/ROCIADO).
6. Compruebe la conexión del tubo de sifón/juego de succión y apriete o vuelva a asegurar la conexión con cinta PTFE.
7. Compruebe todas las conexiones en busca de fugas externas. Apriete las conexiones, si fuese necesario.
8. Limpie las válvulas y de servicio a la sección de líquidos siguiendo el procedimiento de "Servicio a la sección de líquidos" de la sección de Mantenimiento de este manual.
9. Invierta o reemplace los asientos de las válvulas siguiendo el procedimiento de "Servicio a la sección de líquidos" de la sección de Mantenimiento de este manual.
10. Lleve la unidad a un centro de servicio autorizado por Titan.

Fuga de fluido en el extremo superior de la sección de líquidos.

1. Las empaquetaduras superiores están desgastadas.
2. La vara del pistón está desgastada.

1. Vuelva a poner las empaquetaduras siguiendo el procedimiento de "Servicio a la sección de líquidos" de la sección de Mantenimiento de este manual.
2. Reemplace el vástago del pistón siguiendo el procedimiento de "Servicio a la sección de líquidos" de la sección de Mantenimiento de este manual.



# Solución de problemas

## **Problema**

Presión excesiva en la pistola del rociador.

## **Causa**

1. El tipo de manguera rociadora sin aire es erróneo.
2. La punta rociadora está desgastada o es demasiado grande.
3. Presión excesiva.

## **Solución**

1. Reemplace la manguera por una manguera rociadora sin aire con trenzado textil conectada a tierra de 1/4" con un largo mínimo de 50 pies (15 metros).
2. Reemplace la punta rociadora siguiendo las instrucciones suministradas con la pistola rociadora.
3. Gire la perilla de control de presión en el sentido contrario a las agujas del reloj para reducir la presión de rociado.

Patrón de atomización deficiente.

1. La punta rociadora es demasiado grande para el material que se está utilizando.
2. Ajuste de presión incorrecto.
3. Paso de líquido insuficiente.
4. El material que se está rociando es demasiado viscoso.

1. Reemplace la punta rociadora con una punta rociadora nueva o más pequeña siguiendo las instrucciones suministradas con la pistola rociadora.
2. Gire la perilla de control de presión para ajustar la presión para obtener un patrón de rociado adecuado.
3. Limpie todas las mallas y filtros.
4. Añada solvente al material de acuerdo con las recomendaciones del fabricante.

La unidad no tiene alimentación.

1. El ajuste de la presión es demasiado bajo.
2. Suministro de tensión inadecuado.

1. Gire la perilla de control de presión en el sentido de las agujas del reloj para aumentar el ajuste de presión.
2. Vuelva a conectar la tensión de entrada para 120V AC.

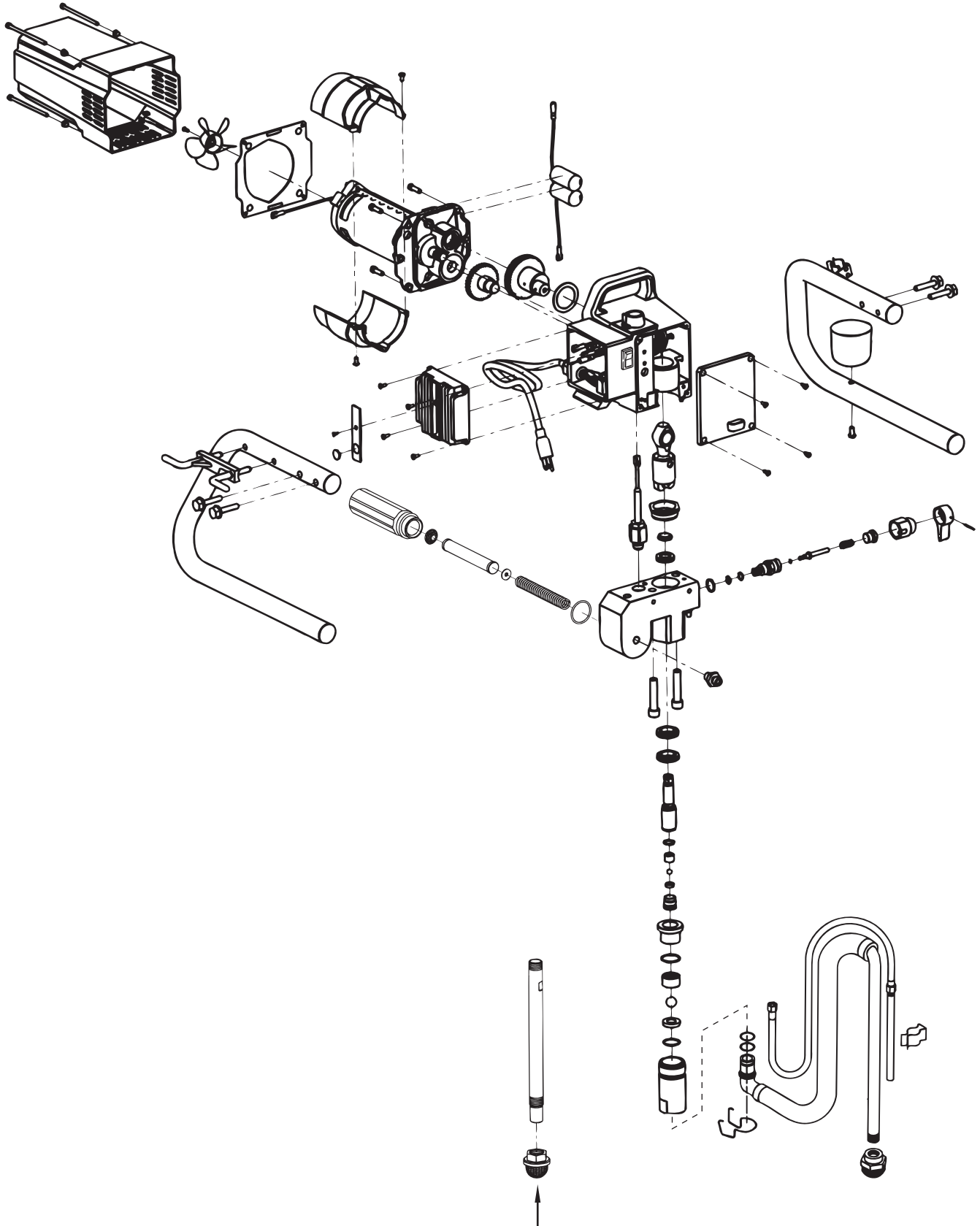
## Patentes

Estos productos están protegidos por una de las siguientes patentes (U.S.A.):

4,500,119      4,768,929

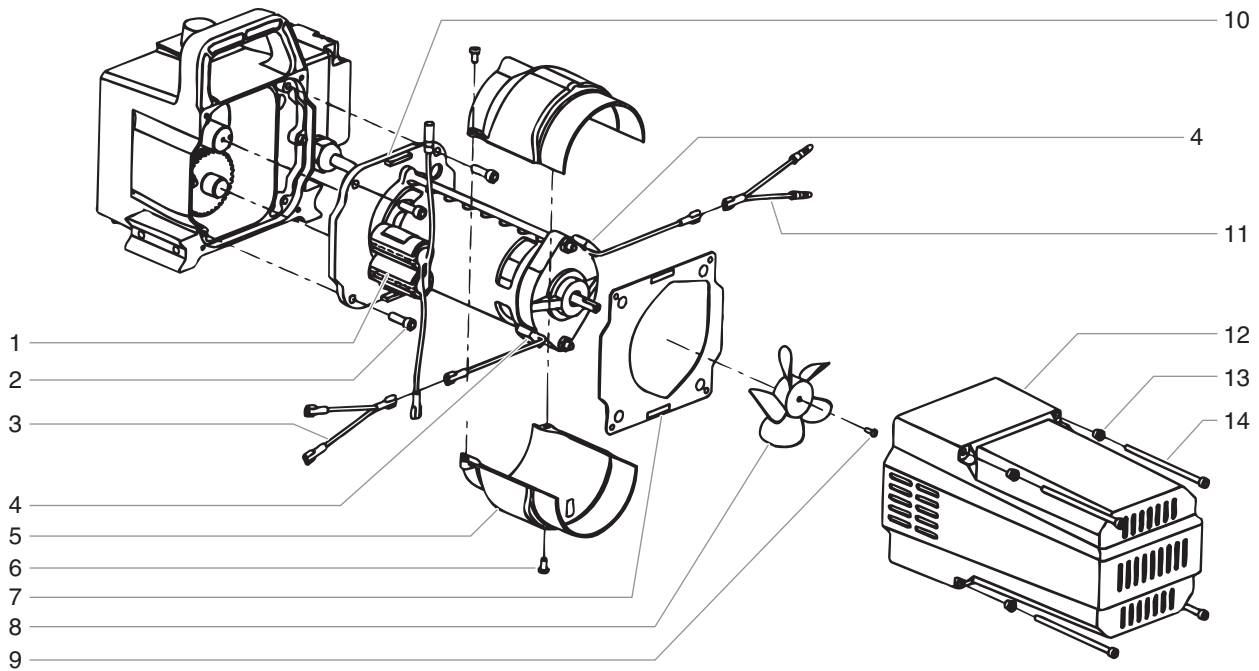
Las Hojas de Datos de Seguridad (Material Safety Data Sheets - MSDS) se encuentran disponibles en el sitio web de Titan o llamando al Servicio al Cliente.

**Parts List • Listes de pièces • Lista de piezas**  
**Main Assembly • Vue d'ensemble • Ensamblaje principal**



Siphon Tube for High Rider model	Tube siphon pour le modèle de chariot	Tubo sifón para el modelo del carro
-------------------------------------	--	--

# Motor Assembly • Moteur • Ensamblaje del motor



## English

Item	Part #	Description	Quantity	Item	Part #	Description	Quantity
1	704-364	Capacitor/rectifier kit (includes item 21 on page 41)	1	9	854-915	Screw	1
2	700-681	Screw	4	10	704-344	Motor, complete (includes items 1, 5, 6, 8, & 9)	1
3	704-269	Y adapter (negative, black)	1	11	704-258	Y adapter (positive, red)	1
4	704-276	Brush kit (includes retainer caps)	1	12	766-001	Motor cover w/labels	1
5	704-285	Shroud	2	13	704-332	Grommet	4
6	704-322	Shroud screw	2	14	704-181	Screw	4
7	704-331	Gasket	1	15	770-099	Tie wrap (not shown)	1
8	704-250	Motor fan	1	16	314-991	Tape (not shown)	1

## Français

Article	N° de pièce	Description	Quantité	Article	N° de pièce	Description	Quantité
1	704-364	Ensemble condensateur/rectificateur (comprend le article no 21 indiqués à la page 41)	1	8	704-250	Ventilateur de moteur	1
2	700-681	Vis	4	9	854-915	Vis	1
3	704-269	Adaptateur en Y (négatif, noir)	1	10	704-344	Moteur, complet (articles 1, 5, 6, 8 à 9)	1
4	704-276	Trousse de remplacement des balais (avec capuchons de retenue)	1	11	704-258	Adaptateur en Y (positif, rouge)	1
5	704-285	Coquille	2	12	766-001	Carter de moteur, avec étiquettes	1
6	704-322	Vis de coquille	2	13	704-332	Boutonnière	4
7	704-331	Joint d'étanchéité	1	14	704-181	Vis	4
				15	770-099	Cord d'amarrage (non illustré)	1
				16	314-991	Bande (non illustré)	1

## Español

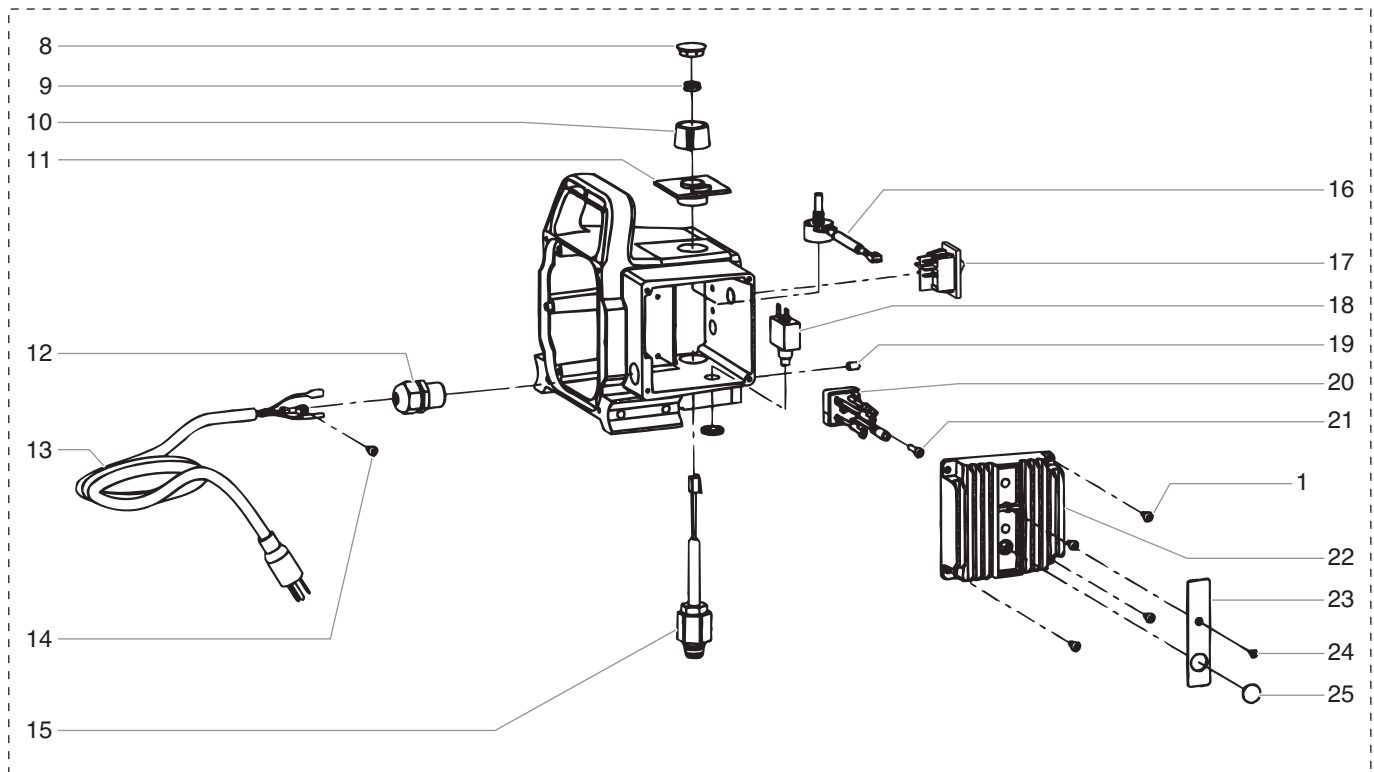
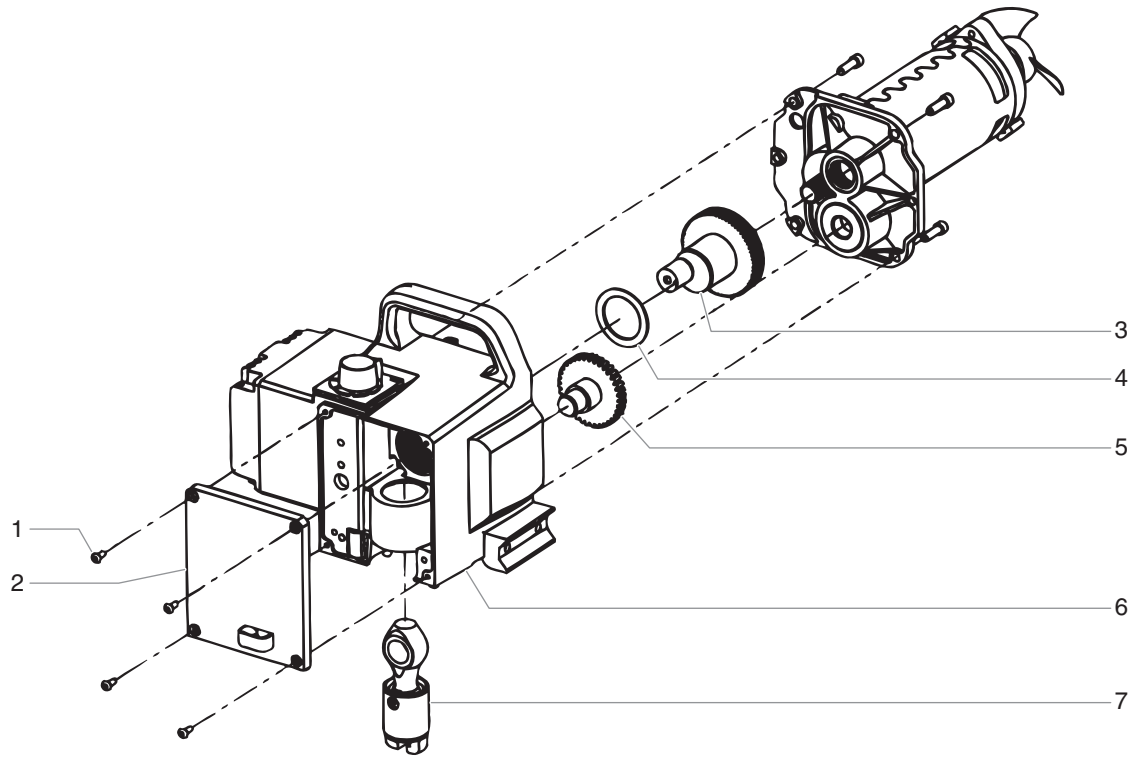
Artículo	Pieza #	Descripción	Cantidad	Artículo	Pieza #	Descripción	Cantidad
1	704-364	Paquete de condensador y rectificador (incluye artículo 21 en la página 41)	1	9	854-915	Tornillo	1
2	700-681	Tornillo	4	10	704-344	Motor, completo (incluye artículos 1, 5, 6, 8, y 9)	1
3	704-269	Adaptador en Y (negativo, negro)	1	11	704-258	Adaptador en Y (positivo, rojo)	1
4	704-276	Juego de cepillos (incluye tapas de retención)	1	12	766-001	Cubierta del motor con etiquetas	1
5	704-285	Protección	2	13	704-332	Ojal	4
6	704-322	Tornillo de la protección	2	14	704-181	Tornillo	4
7	704-331	Empaquetadura	1	15	770-099	Amarra (no se muestra)	1
8	704-250	Ventilador del motor	1	16	314-991	Cinta (no se muestra)	1

**NOTE:** All electrical work should be performed by an authorized service center.

**NOTA:** Tous les travaux d'électricité doivent être effectués par le personnel d'un centre de service autorisé.

**NOTA:** Todo trabajo eléctrico debe realizarlo un centro de servicio autorizado.

**Gear Box Assembly • Boîte d'engrenages • Ensamblaje de la caja de engranajes**





## English

Item	Part #	Description	Quantity	Item	Part #	Description	Quantity
1	700-139	Screw.....	8	14	704-229	Screw.....	1
2	766-002	Front cover w/label.....	1	15	704-251	Transducer assembly.....	1
3	704-173	Crankshaft/gear assembly.....	1	16	700-158	Potentiometer.....	1
4	704-174	Thrust washer.....	1	17	704-380	ON/OFF switch.....	1
5	704-176	2nd stage gear.....	1	18	765-327	Circuit breaker.....	1
6	766-172	Pump housing.....	1	19	710-127	Set screw.....	1
7	700-735	Connecting rod.....	1	20	704-364	Capacitor/rectifier kit (includes item 21).....	1
8	700-175	Cap.....	1	21	704-323	Screw.....	1
9	700-176	Seal.....	1	22	766-003	Electronic pressure control complete w/cover (includes items 23-25).....	1
10	700-159	Pressure control knob.....	1	23	766-270	Cover.....	1
11	704-303	Potentiometer mount.....	1	24	704-282	Screw.....	1
12	765-063	Strain relief (skid model).....	1	25	704-281	Port plug.....	1
	704-369	Strain relief (low and high rider models).....	1				
13	765-054	Power cord (skid model).....	1				
	704-370	Power cord (low and high rider models).....	1				

## Français

Article	N° de pièce	Description	Quantité	Article	N° de pièce	Description	Quantité
1	700-139	Vis.....	8	14	704-229	Vis.....	1
2	766-002	Couvercle avant, avec étiquette.....	1	15	704-251	Transducteur.....	1
3	704-173	Ensemble vilebrequin/engrenages.....	1	16	700-158	Potentiomètre.....	1
4	704-174	Rondelle de butée.....	1	17	704-380	Commutateur.....	1
5	704-176	Second embrayage.....	1	18	765-327	Disjoncteur.....	1
6	766-172	Logement de pompe.....	1	19	710-127	Vis de fixation.....	1
7	700-735	Bielle.....	1	20	704-364	Ensemble condensateur/rectificateur (comprend le article 21).....	1
8	700-175	Capuchon.....	1	21	704-323	Vis.....	1
9	700-176	Joint.....	1	22	766-003	Régulateur de pression électronique, complet, avec couvercle (comprend les articles 23 à 25).....	1
10	700-159	Bouton de régulation de la pression.....	1	23	766-270	Couvercle.....	1
11	704-303	Support à potentiomètre.....	1	24	704-282	Vis.....	1
12	765-063	Détendeur (supportl).....	1	25	704-281	Obturbateur de port.....	1
	704-369	Détendeur (basse chariot et chariot).....	1				
13	765-054	Cordon d'alimentation (supportl).....	1				
	704-370	Cordon d'alimentation (basse chariot et chariot).....	1				

## Español

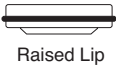
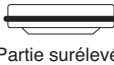

Artículo	Pieza #	Descripción	Cantidad	Artículo	Pieza #	Descripción	Cantidad
1	700-139	Tornillo.....	8	14	704-229	Tornillo.....	1
2	766-002	Cubierta delantera con etiqueta.....	1	15	704-251	Ensamblaje del transductor.....	1
3	704-173	Ensamblaje cigüeñal/engranaje.....	1	16	700-158	Potenciómetro.....	1
4	704-174	Arandela de empuje.....	1	17	704-380	Interruptor de ENCENDIDO/APAGADO ..	1
5	704-176	Engranaje de 2da etapa.....	1	18	765-327	Disyuntor.....	1
6	766-172	Caja de la bomba.....	1	19	710-127	Tornillo de fijación.....	1
7	700-735	Vara conectora.....	1	20	704-364	Paquete de condensador y rectificador (incluye artículo 21).....	1
8	700-175	Tapa.....	1	21	704-323	Tornillo.....	1
9	700-176	Sello.....	1	22	766-003	Control de presión electrónico completo con cubierta (incluye artículos 23-25).....	1
10	700-159	Perilla de control de presión.....	1	23	766-270	Cubierta.....	1
11	704-303	Montaje del potenciómetro.....	1	24	704-282	Tornillo.....	1
12	765-063	Alivio de tensión (base).....	1	25	704-281	Tapón del orificio.....	1
	704-369	Alivio de tensión (bajo carro y carro).....	1				
13	765-054	Cable de alimentación (base).....	1				
	704-370	Cable de alimentación (bajo carro y carro).....	1				

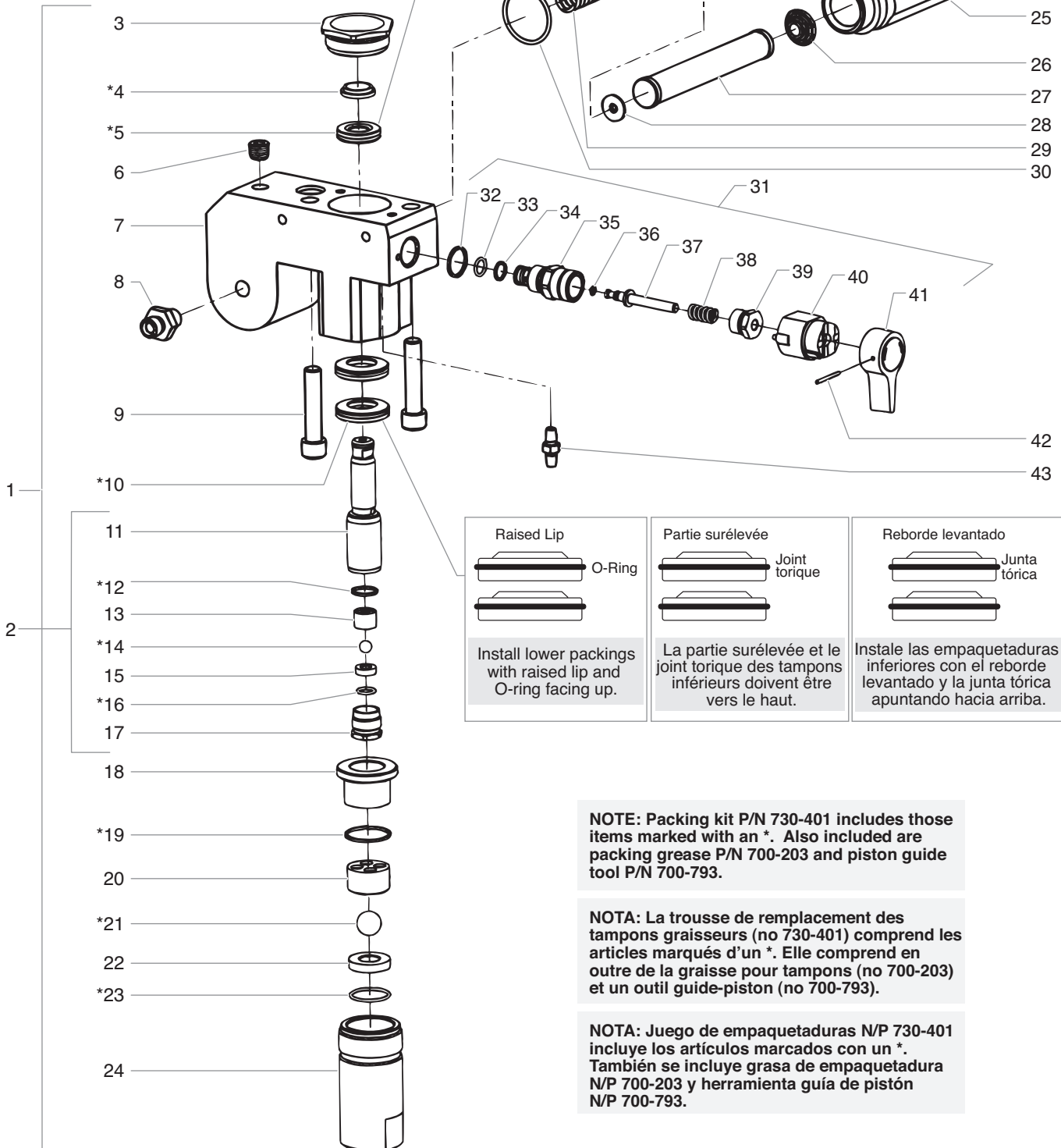
# Fluid Section Assembly • Section des liquides • Ensamblaje de la sección de líquidos

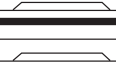
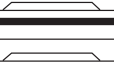

**NOTE:** When using “HOT” solvents, replace Viton o-ring (item 36) with optional PTFE o-ring (700-897). Install with o-ring tool (700-890).

**NOTA:** En présence de solvant CHAUDS, remplacer les joints toriques en Viton (article 36) par ceux en PTFE (700-897), installés au moyen de l’outil approprié (700-890).

**NOTA:** Cuando se usen solventes “CALIENTES”, cambie la junta tórica de Viton (artículo 36) por la junta tórica opcional de PTFE (700-897). Instale con una herramienta para juntas tóricas (700-890).

<p>Install upper packing with raised lip and O-ring facing down.</p>  <p>O-Ring Raised Lip</p>	<p>La partie surélevée et le joint torique du tampon supérieur doivent être vers le bas.</p>  <p>Joint torique Partie surélevée</p>	<p>Instale la empaquetadura superior con el reborde levantado y la junta tórica apuntando hacia abajo.</p>  <p>Junta tórica Reborde levantado</p>
---	---	--



<p>Install lower packings with raised lip and O-ring facing up.</p>  <p>O-Ring Raised Lip</p>	<p>La partie surélevée et le joint torique des tampons inférieurs doivent être vers le haut.</p>  <p>Joint torique Partie surélevée</p>	<p>Instale las empaquetaduras inferiores con el reborde levantado y la junta tórica apuntando hacia arriba.</p>  <p>Junta tórica Reborde levantado</p>
--	---	---

**NOTE:** Packing kit P/N 730-401 includes those items marked with an \*. Also included are packing grease P/N 700-203 and piston guide tool P/N 700-793.

**NOTA:** La trousse de remplacement des tampons graisseurs (no 730-401) comprend les articles marqués d’un \*. Elle comprend en outre de la graisse pour tampons (no 700-203) et un outil guide-piston (no 700-793).

**NOTA:** Juego de empaquetaduras N/P 730-401 incluye los artículos marcados con un \*. También se incluye grasa de empaquetadura N/P 700-203 y herramienta guía de pistón N/P 700-793.

## English

Item	Part #	Description	Quantity	Item	Part #	Description	Quantity
1	704-342	Fluid section (excludes items 24-42)	1	24	704-054	Foot valve housing (skid and low rider models)	1
	765-185	Fluid section complete (includes filter and PRIME/SPRAY valve assembly)	1		730-511	Foot valve housing (high rider model)	1
2	704-090	Piston assembly (includes items 10-16)	1	25	704-252	Filter housing	1
3	730-508	Retainer	1	26	730-083	Filter spring	1
4	700-587	Piston guide	1	27	730-067	Filter	1
5	700-072	Upper packing with tool	1	28	702-251	Adapter	1
6	227-028	Pipe plug	1	29	757-105	Filter support spring	1
7	704-239	Pump block	1	30	704-297	O-ring	1
8	227-006	Fitting	1	31	700-258	PRIME/SPRAY valve assembly (includes items 32-42)	1
9	704-117	Screw	2	32	700-537	Gasket	1
10	700-601	Lower packing	2	33	221-012	O-ring, Viton	1
11	704-089	Piston rod	1	34	222-012	O-ring, PTFE	1
12	762-111	Upper seal	1	35	700-246	Valve housing	1
13	762-135	Upper cage	1	36	700-721	O-ring, Viton	1
14	762-144	Outlet valve ball	1		700-897	O-ring, PTFE (optional)	1
15	762-134	Outlet valve seat	1	37	700-250	Valve stem	1
16	762-057	O-ring	1	38	700-244	Spring	1
17	762-073	Outlet vavie retainer	1	39	700-248	Valve retainer	1
18	704-289	Bushing	1	40	700-252	Cam base	1
19	700-821	Lower seal	1	41	700-697	Valve handle	1
20	730-510	Lower cage	1	42	700-759	Groove pin	1
21	762-145	Foot valve ball	1	43	704-273	Fitting (skid and low rider models)	1
22	762-137	Foot valve seat	1	44	762-202	Packing tool (not shown)	1
23	762-058	O-ring	1				

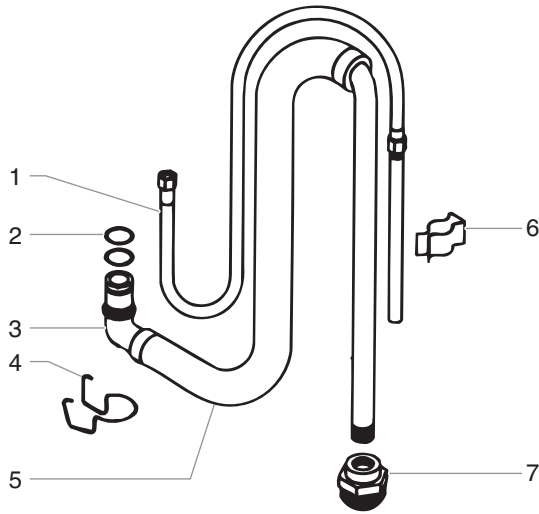
## Français

Article	N° de pièce	Description	Quantité	Article	N° de pièce	Description	Quantité
1	704-342	Section des liquides (sans les articles 24 à 42)	1	24	704-054	Logement de soupape de retenue (support et basse chariot)	1
	765-185	Section des liquides, complète (comprend un filtre et une soupape AMORÇAGE/VAPORISATION)	1		730-511	Logement de soupape de retenue (chariot)	1
2	704-090	Piston (comprend les articles 10 à 16)	1	25	704-252	Logement de filtre	1
3	730-508	Rondelle de retenue	1	26	730-083	Ressort du filtre	1
4	700-587	Guide-piston	1	27	730-067	Filtre	1
5	700-072	Tampon graisseur supérieur avec l'outil	1	28	702-251	Adaptateur	1
6	227-028	Fiche	1	29	757-105	Ressort du support de filtre	1
7	704-239	Bloc pompe	1	30	704-297	Joint torique	1
8	227-006	Raccord	1	31	700-258	Soupape AMORÇAGE/VAPORISATION (comprend les articles 32 à 42)	1
9	704-117	Vis	2	32	700-537	Joint d'étanchéité	1
10	700-601	Tampon graisseur inférieur	2	33	221-012	Joint torique, Viton	1
11	704-089	Tige de piston	1	34	222-012	Joint torique, PTFE	1
12	762-111	Joint supérieur	1	35	700-246	Logement de soupape	1
13	762-135	Cage supérieure	1	36	700-721	Joint torique, Viton	1
14	762-144	Clapet de soupape de sortie	1		700-897	Joint torique, PTFE (facultatif)	1
15	762-134	Siège de soupape de sortie	1	37	700-250	Tige de soupape	1
16	762-057	Joint torique	1	38	700-244	Ressort	1
17	762-073	Rondelle de retenue de soupape de sortie	1	39	700-248	Rondelle de retenue de soupape	1
18	704-289	Manchon	1	40	700-252	Base à came	1
19	700-821	Joint inférieur	1	41	700-697	Manette de soupape	1
20	730-510	Cage inférieure	1	42	700-759	Goupille	1
21	762-145	Clapet de soupape de retenue	1	43	704-273	Raccord (support et basse chariot)	1
22	762-137	Siège de soupape de retenue	1	44	762-202	Outil d'installation des tampons graisseur (non illustré)	1
23	762-058	Joint torique	1				

## Español

Artículo	Pieza #	Descripción	Cantidad	Artículo	Pieza #	Descripción	Cantidad
1	704-342	Sección de líquido (excluye los artículos 24-42)	1	24	704-054	Caja de la válvula de pie (base y bajo carro)	1
	765-185	Sección de líquido completa (incluye el ensamblaje de filtro y válvula de CEBADO/ROCIADO)	1		730-511	Caja de la válvula de pie (carro)	1
2	704-090	Ensamblaje del pistón (incluye artículos 10-16)	1	25	704-252	Caja del filtro	1
3	730-508	Retén	1	26	730-083	Resorte del filtro	1
4	700-587	Guía del pistón	1	27	730-067	Filtro	1
5	700-072	Empaquetadura superior con la herramienta	1	28	702-251	Adaptador	1
6	227-028	Tapón	1	29	757-105	Resorte del soporte del filtro	1
7	704-239	Bloque de la bomba	1	30	704-297	Junta tórica	1
8	227-006	Conector	1	31	700-258	Ensamblaje de la válvula de CEBADO/ROCIADO (incluye artículos 32 - 42)	1
9	704-117	Tornillo	2	32	700-537	Empaquetadura	1
10	700-601	Empaquetadura inferior	2	33	221-012	Junta tórica, Viton	1
11	704-089	Vara del pistón	1	34	222-012	Junta tórica, PTFE	1
12	762-111	Sello superior	1	35	700-246	Caja de la válvula	1
13	762-135	Jaula superior	1	36	700-721	Junta tórica, Viton	1
14	762-144	Bola de la válvula de salida	1		700-897	Junta tórica, PTFE (opcional)	1
15	762-134	Asiento de la válvula de salida	1	37	700-250	Vástago de la válvula	1
16	762-057	Junta tórica	1	38	700-244	Resorte	1
17	762-073	Retén de la válvula de salida	1	39	700-248	Retén de la válvula	1
18	704-289	Buje	1	40	700-252	Base de leva	1
19	700-821	Sello inferior	1	41	700-697	Mango de la válvula	1
20	730-510	Jaula inferior	1	42	700-759	Pasador de surco	1
21	762-145	Bola de la válvula de pie	1	43	704-273	Conector (base y bajo carro)	1
22	762-137	Asiento de la válvula de pie	1	44	762-202	Herramienta para empaquetaduras (no se muestra)	1
23	762-058	Junta tórica	1				

**Suction Set Assembly**  
**(skid and low rider models) •**  
**Bloc d'aspiration •**  
**(support et basse chariot)**  
**Ensamblaje del juego de succión**  
**(base y bajo carro)**  
**(P/N 704-300)**



**English**

Item	Part #	Description	Quantity
1	704-263	Return tube assembly.....	1
2	704-121	O-ring.....	2
	704-109	O-ring (for hot solvents, optional)	
3	700-1024	Elbow.....	1
4	704-127	Retaining clip.....	1
5	700-1023	Siphon hose (includes items 2-4, and 7).....	1
6	755-135	Clip.....	1
7	700-805	Inlet screen.....	1

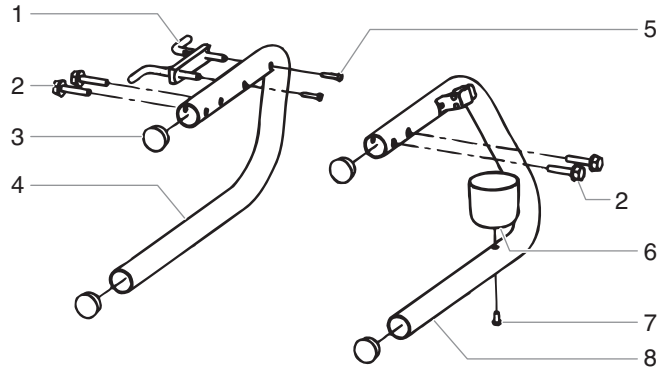
**Français**

Article	N° de pièce	Description	Quantité
1	704-263	Flexible de retour.....	1
2	704-121	Joint torique.....	2
	704-109	Joint torique, pour solvants chauds (facultatif)	
3	700-1024	Coude.....	1
4	704-127	Agrafe de retenue.....	1
5	700-1023	Flexible de siphon (articles 2-4 et 7) ...	1
6	755-135	Agrafe.....	1
7	700-805	Crépine d'entrée.....	1

**Español**

Artículo	Pieza #	Descripción	Cantidad
1	704-263	Ensamblaje del tubo de retorno.....	1
2	704-121	Junta tórica.....	2
	704-109	Junta tórica (para solventes calientes, opcional)	
3	700-1024	Codo.....	1
4	704-127	Sujetador de retención.....	1
5	700-1023	Manguera de sifón (incluye artículos 2-4 y 7).....	1
6	755-135	Sujetador.....	1
7	700-805	Malla de entrada.....	1

**Stand Assembly •**  
**Support •**  
**Ensamblaje de la base**



**English**

Item	Part #	Description	Quantity
1	700-761	Cord wrap.....	1
2	761-178	Screw.....	4
3	710-199	Plug.....	4
4	704-164	Leg, left.....	1
5	700-642	Screw.....	2
6	700-1041	Drip cup.....	1
7	704-188	Screw.....	1
8	704-156	Leg, right.....	1
9	704-179	Leg, left, complete (includes items 1, and 3-5)	
10	704-178	Leg, right, complete (includes items 3 and 6-8)	

**Français**

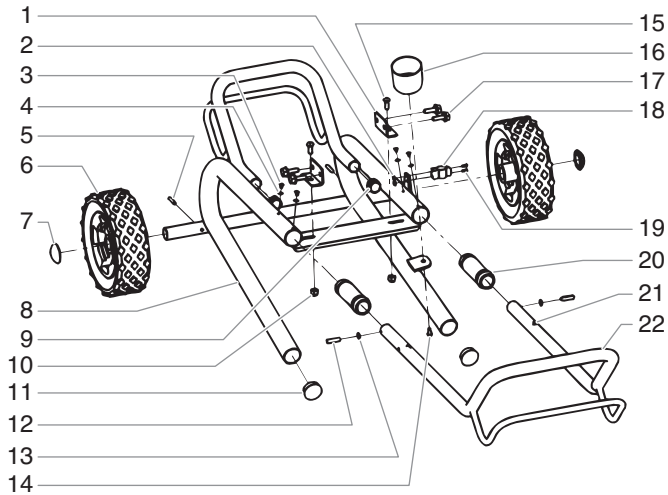
Article	N° de pièce	Description	Quantité
1	700-761	Embobineur de cordon.....	1
2	761-178	Vis.....	4
3	710-199	Fiche.....	4
4	704-164	Patte, gauche.....	1
5	700-642	Vis.....	2
6	700-1041	Cuvette d'égouttage.....	1
7	704-188	Vis.....	1
8	704-156	Patte, droite.....	1
9	704-179	Patte, gauche, complète (articles 1, et 3 à 5)	
10	704-178	Patte, droite, complète (articles 3, et 6 à 8)	

**Español**

Artículo	Pieza #	Descripción	Cantidad
1	700-761	Soporte para envolver el cable eléctrico... 1	1
2	761-178	Tornillo.....	4
3	710-199	Tapón.....	4
4	704-164	Pata, izquierda.....	1
5	700-642	Tornillo.....	2
6	700-1041	Recipiente de goteo.....	1
7	704-188	Tornillo.....	1
8	704-156	Pata, derecha.....	1
9	704-179	Pata, izquierda, completa (incluye artículos 1 y 3-5)	
10	704-178	Pata, derecha, completa (incluye artículos 3 y 6-8)	



**Low Rider Assembly •**  
**Basse chariot •**  
**Ensamblaje del bajo carro**  
**(P/N 705-200)**



**English**

Item	Part #	Description	Quantity
1	704-307	Mounting bracket .....	2
2	770-366	Hex lock nut .....	2
3	856-921	Screw .....	4
4	856-002	Washer .....	4
5	704-291	Roll pin .....	2
6	704-356	Wheel .....	2
7	704-355	Cap .....	2
8	704-308	Frame .....	1
9	704-358	Cap .....	2
10	763-549	Lock nut .....	2
11	335-018	Plug .....	2
12	590-508	Roll pin .....	2
13	590-506	Washer .....	2
14	704-188	Screw .....	1
15	773-918	Screw .....	2
16	700-1041	Drip cup .....	1
17	756-091	Hex head screw .....	4
18	755-135	Clip .....	1
19	854-915	Screw .....	2
20	590-504	Sleeve .....	2
21	590-507	Snap button .....	2
22	704-309	Handle .....	1

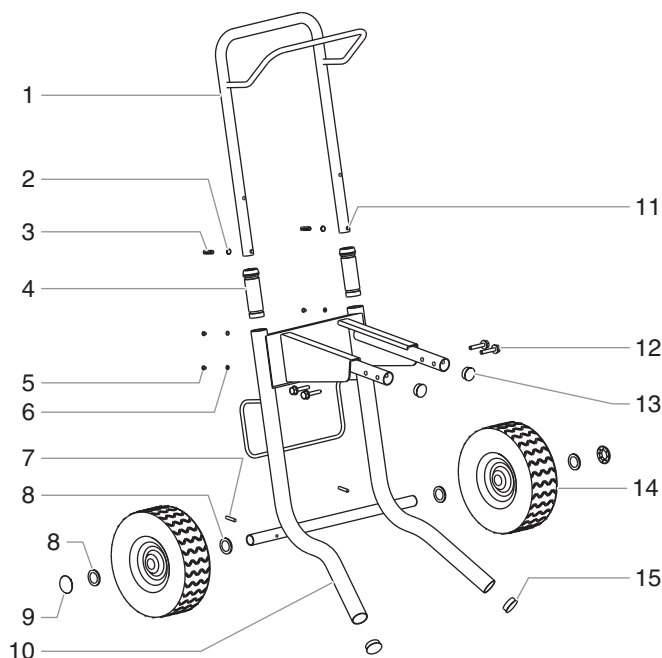
**Français**

Article	N° de pièce	Description	Quantité
1	704-307	Support .....	2
2	770-366	Écrou de sécurité .....	2
3	856-921	Vis .....	4
4	856-002	Rondelle .....	4
5	704-291	Goupille rouleau .....	2
6	704-356	Roue .....	2
7	704-365	Chapeau .....	2
8	704-308	Chariot .....	1
9	704-358	Chapeau .....	2
10	763-549	Écrou de sécurité .....	2
11	335-018	Fiche .....	2
12	590-508	Goupille rouleau .....	2
13	590-506	Rondelle .....	2
14	704-188	Vis .....	1
15	773-918	Vis .....	2
16	700-1041	Cuvette d'égouttage .....	1
17	756-091	Vis .....	4
18	755-135	Agrafe .....	1
19	854-915	Vis .....	2
20	590-504	Manche .....	2
21	590-507	Bouton d'enclenchement .....	2
22	704-309	Poignée .....	1

**Español**

Artículo	Pieza #	Descripción	Cantidad
1	704-307	Soporte .....	2
2	770-366	Tuerca de seguridad .....	2
3	856-921	Tornillo .....	4
4	856-002	Rondana .....	4
5	704-291	Pasador de rollo .....	2
6	704-356	Rueda .....	2
7	704-365	Tapa .....	2
8	704-308	Carro .....	1
9	704-358	Tapa .....	2
10	763-549	Tuerca de seguridad .....	2
11	335-018	Tapón .....	2
12	590-508	Pasador de rollo .....	2
13	590-506	Rondana .....	2
14	704-188	Tornillo .....	1
15	773-918	Tornillo .....	2
16	700-1041	Recipiente de goteo .....	1
17	756-091	Tornillo .....	4
18	755-135	Sujetador .....	1
19	854-915	Tornillo .....	2
20	590-504	Manga de asa .....	2
21	590-507	Botón, a presión .....	2
22	704-309	Mango .....	1

# High Rider Assembly • Chariot • Ensamblaje del Carro (P/N 704-236)



## English

Item	Part #	Description	Quantity
1	704-266	Handle .....	1
2	590-506	Washer .....	2
3	590-508	Roll pin .....	2
4	590-504	Sleeve .....	2
5	856-921	Screw .....	4
6	856-002	Washer .....	4
7	704-291	Roll pin .....	2
8	704-354	Spacer .....	2
9	704-355	Cap .....	2
10	702-421	Frame .....	1
11	590-507	Snap button .....	2
12	761-178	Hex head screw .....	4
13	710-199	Plug .....	2
14	704-353	Wheel .....	2
15	335-018	Plug .....	2
16	704-304	Pail hook (not shown, not in assembly) .....	1
17	710-033	Screw (not shown, not in assembly) .....	2
18	763-552	Lock washer (not shown, not in assembly) ..	2

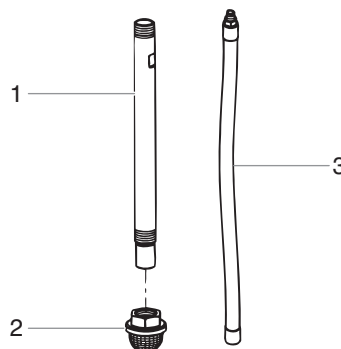
## Français

Article	N° de pièce	Description	Quantité
1	704-266	Poignée .....	1
2	590-506	Rondelle .....	2
3	590-508	Goupille rouleau .....	2
4	590-504	Manche .....	2
5	856-921	Vis .....	4
6	856-002	Rondelle .....	4
7	704-291	Goupille rouleau .....	2
8	704-354	Rondelle d'espacement .....	2
9	704-355	Chapeau .....	2
10	702-421	Chariot .....	1
11	590-507	Bouton d'enclenchement .....	2
12	761-178	Vis .....	4
13	710-199	Fiche .....	2
14	704-353	Roue .....	2
15	335-018	Fiche .....	2
16	704-304	Support de seau (non illustré, pas dans l'ensemble) .....	1
17	710-033	Vis (non illustré, pas dans l'ensemble) ..	2
18	763-552	Rondelle de sécurité (non illustré, pas dans l'ensemble) .....	2

## Español

Artículo	Pieza #	Descripción	Cantidad
1	704-266	Mango .....	1
2	590-506	Rondana .....	2
3	590-508	Pasador de rollo .....	2
4	590-504	Manga de asa .....	2
5	856-921	Tornillo .....	4
6	856-002	Rondana .....	4
7	704-291	Pasador de rollo .....	2
8	704-354	Espaciador .....	2
9	704-355	Tapa .....	2
10	702-421	Carro .....	1
11	590-507	Botón, a presión .....	2
12	761-178	Tornillo .....	4
13	710-199	Tapón .....	2
14	704-353	Rueda .....	2
15	335-018	Tapón .....	2
16	704-304	Gancho del cubo (no se muestra, no en ensamble) .....	1
17	710-033	Tornillo (no se muestra, no en ensamble) .....	2
18	763-552	Rondana de seguridad (no se muestra, no en ensamble) .....	2

# Siphon Tube Assembly (High Rider) • Tube siphon (Chariot) Tubo sifón (Ensamblaje del Carro)



## English

Item	Part #	Description	Quantity
1	704-327	Siphon tube .....	1
2	710-046	Inlet screen, 10 mesh .....	1
3	702-239	Return tube .....	1

## Français

Article	N° de pièce	Description	Quantité
1	704-327	Tube siphon .....	1
2	710-046	Crépine d'entrée, 10 maille .....	1
3	702-239	Flexible de retour .....	1

## Español

Artículo	Pieza #	Descripción	Cantidad
1	704-327	Tubo sifón .....	1
2	710-046	Malla de entrada, 10 malla .....	1
3	702-239	Tubo de retorno .....	1

## Accessories

### Airless Tip Selection

Tips are selected by the orifice size and fan width. The proper selection is determined by the fan width required for a specific job and by the orifice size that will supply the desired amount of fluid and accomplish proper atomization.

For light viscosity fluids, smaller orifice tips generally are desired. For heavier viscosity materials, larger orifice tips are preferred. Please refer to the chart below.

**NOTE: Do not exceed the sprayer's recommended tip size.**

The following chart indicates the most common sizes and the appropriate materials to be sprayed.

Tip Size	Spray Material	Filter Type
.011 – .013	Lacquers and stains	100 mesh filter
.015 – .019	Oil and latex	60 mesh filter
.021 – .026	Heavy bodied latex and blockfillers	30 mesh filter

Fan widths measuring 8" to 12" (20 to 30 cm) are preferred because they offer more control while spraying and are less likely to plug.

### Liquid Shield Plus

Cleans and protects spray systems against rust, corrosion and premature wear. Now with -25° anti-freeze protection.

Part #	Description
314-483	4 ounce bottle
314-482	1 quart bottle



### Piston Lube

Specially formulated to prevent materials from adhering to the piston rod, which becomes abrasive to the upper seals. Piston Lube will break down any material that may accumulate in the oil cup and keep it from drying.

Part #	Description
314-481	4 ounce bottle
314-480	8 ounce bottle



### Miscellaneous

Part No.	Description
490-012	Hose Coupling, 1/4" x 1/4"
730-397	High Pressure FI. Gauge
314-171	Lubriplate, 14 ounce individual
314-172	Lubriplate, 6 lb. can
700-1037	Electrostatic discharge (ESD) wrist strap

### Labels

Part #	Description
313-1851	Front cover label
313-1852	Motor cover label
313-1673	Warning label (injection/explosion)
313-1847	Shock hazard label
313-1715	Pressure control label

## Accessoires

### Gamme d'embouts à dépression

On choisit les embouts en fonction de la grosseur de leur orifice (selon la quantité de produit qu'on veut étendre et le degré d'atomisation requis) et de la largeur du ventilateur, selon les travaux exigés.

En présence de liquides moins visqueux, on recommande généralement les embouts à orifice plus petit, tandis que pour les produits plus épais, on préférera les embouts à plus gros orifice. Se reporter au tableau ci-dessous.

**NOTA: Ne pas choisir un embout plus gros que celui recommandé pour le vaporisateur.**

Le tableau suivant indique quels embouts utiliser selon le produit à vaporiser.

Grosseur d'embout	Produit utilisé	Type de filtre
.011 – .013	Laques et teintures	100 mailles
.015 – .019	Peintures à l'huile ou au latex	60 mailles
.021 – .026	Peintures au latex épaisses ou matériaux de remplissage	30 mailles

On préférera les ventilateurs d'une largeur de 20 à 30 cm (8 à 12 po) parce qu'ils augmentent la maîtrise de l'utilisateur et risquent moins de s'obstruer.

### Liquid Shield Plus

Nettoie et protège les systèmes de vaporisation de la rouille, de la corrosion et de l'usure prématurée. Maintenant avec la protection d'antigel de -25°.

N° de pièce	Description
314-483	Bouteille de 4 oz
314-482	Bouteille de 1 quart



### Piston Lube

Spécialement formulé pour empêcher les produits d'adhérer à la tige des pistons, ce qui tend à endommager les joints supérieurs. Le Piston Lube décompose tous les matériaux qui risquent de s'accumuler dans la cuvette d'égouttage et les empêchent de sécher.

N° de pièce	Description
314-481	Bouteille de 4 oz
314-480	Bouteille de 8 oz



### Divers

N° de pièce	Description
490-012	Raccord de flexible (0,6 cm2 [1/4 po2])
730-397	Indicateur haute pression (liquides)
314-171	Lubriplate, contenant d'environ 400 g (14 oz)
314-172	Lubriplate, contenant d'environ 3 kg (6 lb)
700-1037	Bracelet antistatique contre les décharges électrostatiques

### Étiquettes

N° de pièce	Description
313-1851	Étiquette du couvercle avant
313-1852	Étiquette du carter de moteur
313-1673	Étiquette d'avertissement (injection/explosion)
313-1847	Étiquette de risque de choc
313-1715	Étiquette du régulateur de pression

## Accesorios

### Selección de la punta sin aire

Las puntas se seleccionan por el tamaño de orificio y la amplitud de abanico. La selección correcta se determina según la amplitud de abanico necesaria para un trabajo específico y por el tamaño de orificio que suministrará la cantidad de líquido deseada y logrará la atomización adecuada.

Para líquidos de viscosidad ligera, generalmente se prefieren las puntas con orificios pequeños. Para materiales con más viscosidad, se prefieren las puntas con orificios más grandes. Consulte la tabla a continuación.

**NOTA: No exceda el tamaño de punta recomendada para el rociador.**

La tabla siguiente indica los tamaños más comunes y los materiales más adecuado para rociar.

Tamaño de punta	Material a rociar	Tipo de filtro
.011 – .013	Lacas y barnices	Filtro de malla 100
.015 – .019	Pintura a base de aceite y látex	Filtro de malla 30
.021 – .026	Látex espeso y rellenos	Filtro de malla 60

Las amplitudes de abanico entre 8 y 12 pulgadas (20 a 30 cm) son preferibles porque ofrecen más control al rociar y es menos probable que causen obstrucciones.

### Protector líquido Liquid Shield Plus

Limpia y proteger los sistemas de rociado contra el óxido, la corrosión y el desgaste prematuro. Ahora con la protección del anticongelante de -25°.

Pieza #	Descripción
314-483	Botella de 4 onzas
314-482	Botella de 1 cuarto de galón



### Lubricante para pistones Piston Lube

Formulado especialmente para evitar que los materiales se adhieran a la vara del pistón, lo cual es abrasivo para los sellos superiores. El Piston Lube degrada todo material que pueda acumularse en el recipiente y evita que se seque.

Pieza #	Descripción
314-481	Botella de 4 onzas
314-480	Botella de 8 onzas



### Varios

Part No.	Description
490-012	Acoplamiento de manguera, 1/4 x 1/4 de pulgada
730-397	Fl.de alta presión Medidor
314-171	Lubriplate, individual de 14 onzas
314-172	Lubriplate, lata de 6 lb.
700-1037	Muñequera de conducción a tierra de descargas electrostáticas (ESD)

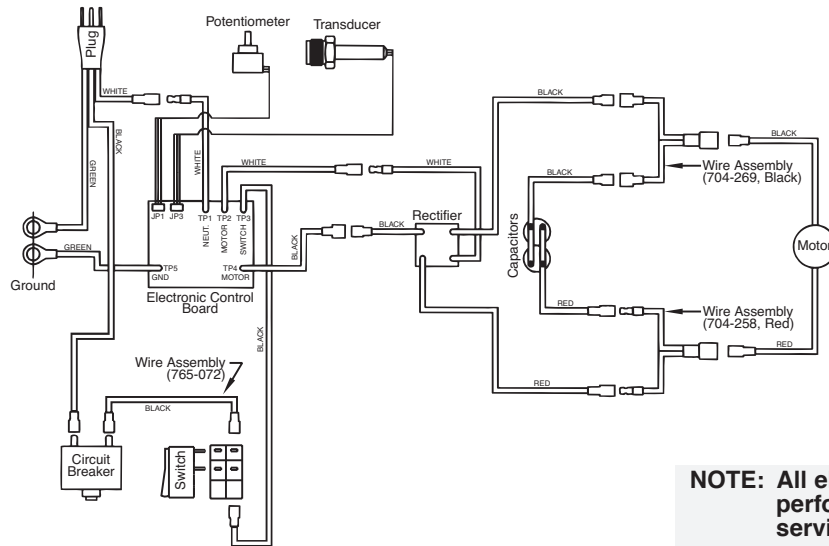
### Etiquetas

Pieza #	Descripción
313-1851	Etiqueta de la cubierta delantera
313-1852	Etiqueta de la cubierta del motor
313-1673	Etiqueta de advertencia (inyección/explosión)
313-1847	Etiqueta del peligro de choque
313-1715	Etiqueta de control de presión



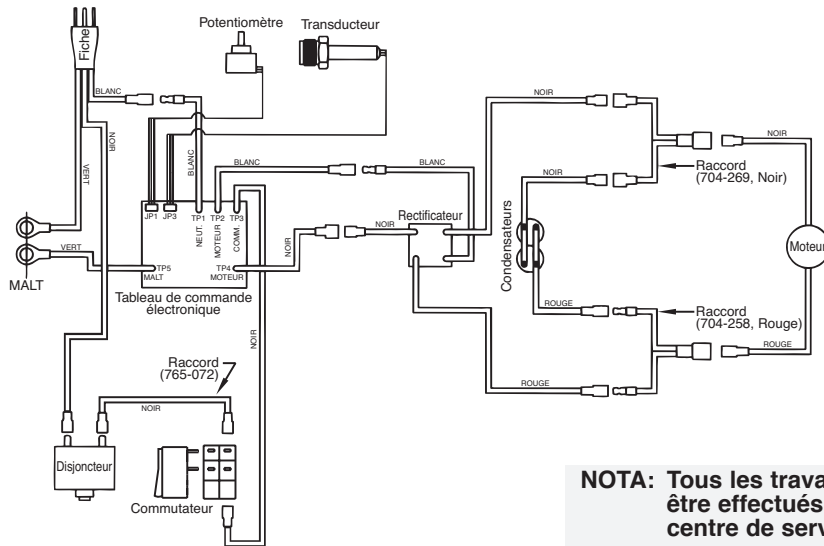
# Electrical Schematic • Schéma de raccordement électrique • Esquema eléctrico

English



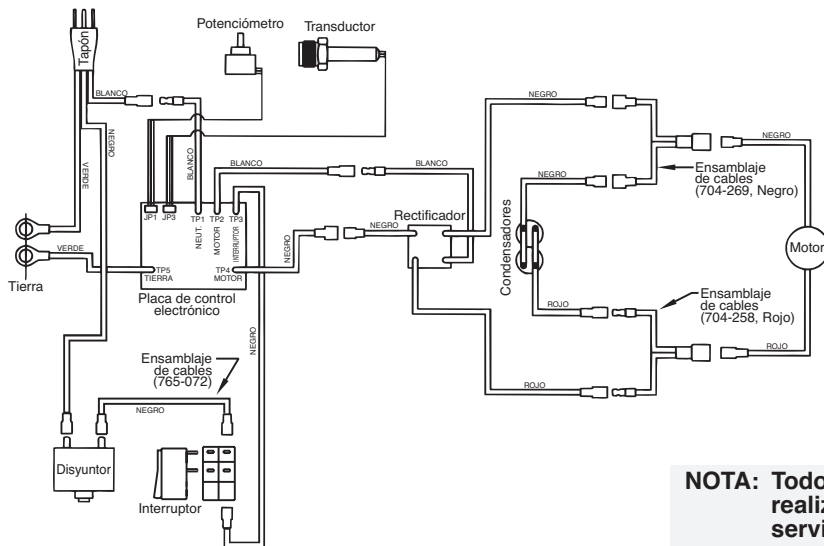
**NOTE: All electrical work should be performed by an authorized service center.**

Français



**NOTA: Tous les travaux d'électricité doivent être effectués par le personnel d'un centre de service autorisé.**

Español



**NOTA: Todo trabajo eléctrico debe realizarlo un centro de servicio autorizado.**

# Notes/Nota

# Notes/Nota

# Warranty • Garantie • Garantía

Titan Tool, Inc., ("Titan") warrants that at the time of delivery to the original purchaser for use ("End User"), the equipment covered by this warranty is free from defects in material and workmanship. Titan's obligation under this warranty is limited to replacing or repairing without charge those parts which, to Titan's reasonable satisfaction, are shown to be defective within twenty-five (25) months after sale to the End User. This warranty applies only when the unit is installed and operated in accordance with the recommendations and instructions of Titan.

This warranty does not apply in the case of damage or wear caused by abrasion, corrosion or misuse, negligence, accident, faulty installation, substitution of non-Titan component parts, or tampering with the unit in a manner to impair normal operation.

Defective parts are to be returned to an authorized Titan sales/service outlet. All transportation charges, including return to the factory, if necessary, are to be borne and prepaid by the End User. Repaired or replaced equipment will be returned to the End User transportation prepaid.

THERE IS NO OTHER EXPRESS WARRANTY. TITAN HEREBY DISCLAIMS ANY AND ALL IMPLIED WARRANTIES INCLUDING, BUT NOT LIMITED TO, THOSE OF MERCHANTABILITY AND FITNESS FOR A PARTICULAR PURPOSE, TO THE EXTENT PERMITTED BY LAW. THE DURATION OF ANY IMPLIED WARRANTIES WHICH CANNOT BE DISCLAIMED IS LIMITED TO THE TIME PERIOD SPECIFIED IN THE EXPRESS WARRANTY. IN NO CASE SHALL TITAN LIABILITY EXCEED THE AMOUNT OF THE PURCHASE PRICE. LIABILITY FOR CONSEQUENTIAL, INCIDENTAL OR SPECIAL DAMAGES UNDER ANY AND ALL WARRANTIES IS EXCLUDED TO THE EXTENT PERMITTED BY LAW.

TITAN MAKES NO WARRANTY AND DISCLAIMS ALL IMPLIED WARRANTIES OF MERCHANTABILITY AND FITNESS FOR A PARTICULAR PURPOSE WITH RESPECT TO ACCESSORIES, EQUIPMENT, MATERIALS OR COMPONENTS SOLD BUT NOT MANUFACTURED BY TITAN. THOSE ITEMS SOLD, BUT NOT MANUFACTURED BY TITAN (SUCH AS GAS ENGINES, SWITCHES, HOSES, ETC.) ARE SUBJECT TO THE WARRANTY, IF ANY, OF THEIR MANUFACTURER. TITAN WILL PROVIDE THE PURCHASER WITH REASONABLE ASSISTANCE IN MAKING ANY CLAIM FOR BREACH OF THESE WARRANTIES.

Titan Tools, inc. (« Titan ») garantit qu'au moment de la livraison à l'acheteur original (« Utilisateur »), l'appareil couvert par la présente garantie sera exempt de défauts de matériaux et de fabrication. Les responsabilités de Titan en vertu de cette garantie se limitent au remplacement ou à la réparation sans frais des pièces dont on aura, à la satisfaction raisonnable de Titan, démontré la défectuosité dans un délai de vingt-cinq (25) mois après la date d'achat par l'Utilisateur. Cette garantie ne s'applique que si l'appareil a été installé et utilisé conformément aux recommandations et directives de Titan.

Cette garantie ne s'applique pas dans les cas d'endommagement ou d'usure engendrés par de l'abrasion, de la corrosion, un mauvais usage, de la négligence, un accident, une installation incorrecte, un remplacement par des composants non fournis par Titan ou toute intervention non autorisée apte à nuire au fonctionnement normal de l'appareil.

Les pièces défectueuses doivent être envoyées à un centre de service/vente Titan autorisé; les frais de transport, incluant le retour à l'usine, le cas échéant, doivent être défrayés à l'avance par l'Utilisateur. Une fois remplacées ou réparées, les pièces seront renvoyées à ce dernier par transport prépayé.

AUCUNE AUTRE GARANTIE EXPLICITE N'EST DONNÉE. PAR LES PRÉSENTES, TITAN SE DÉGAGE DE TOUTE AUTRE GARANTIE IMPLICITE, INCLUANT, SANS TOUTEFOIS S'Y LIMITER, LES GARANTIES DE COMMERCIALITÉ ET D'ADAPTATION À UN USAGE PARTICULIER, DANS LES LIMITES PERMISES PAR LA LOI. LA DURÉE DES GARANTIES IMPLICITES NE POUVANT ÊTRE DÉCLINÉES SE LIMITE À LA PÉRIODE INDIQUÉE DANS LA GARANTIE EXPLICITE. LES RESPONSABILITÉS DE TITAN NE SAURAIENT EN AUCUN CAS SE CHIFFRER À UN MONTANT SUPÉRIEUR À CELUI DU PRIX D'ACHAT, ET CELLES RELATIVES AUX DOMMAGES CONSÉCUTIFS, ACCESSOIRES OU PARTICULIERS EN VERTU DE TOUTE GARANTIE SONT ÉGALEMENT DÉCLINÉES, DANS LES LIMITES PERMISES PAR LA LOI.

TITAN NE DONNE AUCUNE AUTRE GARANTIE EXPLICITE ET DÉCLINE TOUTE GARANTIE IMPLICITE DE COMMERCIALITÉ ET D'ADAPTATION À UN USAGE PARTICULIER RELATIVEMENT AUX ACCESSOIRES, À L'ÉQUIPEMENT, AUX MATÉRIAUX OU AUX COMPOSANTS VENDUS MAIS NON FABRIQUÉS PAR ELLE; CES ÉLÉMENTS (MOTEURS À ESSENCE, COMMUTATEURS, FLEXIBLES, ETC.) SONT PLUTÔT SOUMIS, LE CAS ÉCHÉANT, AUX GARANTIES DE LEUR FABRICANT. TITAN S'ENGAGE À OFFRIR UN SOUTIEN RAISONNABLE AUX UTILISATEURS QUI FERONT DES RÉCLAMATIONS RELATIVES À L'INOBSERVATION DE CES GARANTIES.

Titan Tool, Inc., ("Titan") garantiza que en el momento de la entrega al comprador original para su uso ("Usuario final"), el equipo cubierto por esta garantía está exento de defectos en material y fabricación. La obligación de Titan en virtud de esta garantía se limita a sustituir o reparar sin cargo las piezas que; a la entera satisfacción de Titan, demuestren estar defectuosas dentro de veinticinco (25) meses después de la venta al usuario final. Esta garantía corresponde solamente cuando la unidad se instala y funciona según las recomendaciones e instrucciones de Titan.

Esta garantía no corresponde en el caso de daños o desgaste causados por abrasión, corrosión o uso indebido, negligencia, accidente, instalación errada, sustitución de piezas con componentes que no sean Titan o alteraciones con la unidad de tal modo que se vea afectado el funcionamiento normal.

Las piezas defectuosas deben devolverse a un centro de ventas y servicio autorizado de Titan. Todos los cargos de transporte, incluso la devolución a la fábrica, si es necesario, debe pagarlos previamente el usuario final. El equipo reparado o cambiado se devolverá al usuario final con porte prepago.

NO EXISTE NINGUNA OTRA GARANTÍA EXPRESA. TITAN DESCONOCE POR LA PRESENTE TODA OTRA GARANTÍA IMPLÍCITA INCLUSIVE ENTRE OTRAS, LAS DE COMERCIALIDAD E IDONEIDAD PARA UN FIN PARTICULAR, EN LA MEDIDA QUE LO PERMITA LA LEY. LA DURACIÓN DE LAS GARANTÍAS IMPLÍCITAS QUE NO PUEDEN DESCONOCERSE SE LIMITA AL PLAZO ESPECIFICADO EN LA GARANTÍA EXPRESA. EN NINGÚN CASO EXCEDERÁ LA RESPONSABILIDAD DE TITAN EL MONTO DEL PRECIO DE COMPRA. LA RESPONSABILIDAD CIVIL POR DAÑOS Y PERJUICIOS RESULTANTES, FORTUITOS O ESPECIALES BAJO TODA GARANTÍA QUEDA EXCLUIDA EN LA MEDIDA QUE LO PERMITA LA LEY.

TITAN NO OFRECE GARANTÍAS Y DESCONOCE TODA GARANTÍA IMPLÍCITA DE COMERCIALIDAD E IDONEIDAD PARA UN FIN PARTICULAR REFERENTE A ACCESORIOS, EQUIPO, MATERIALES O COMPONENTES VENDIDOS PERO NO FABRICADOS POR TITAN. AQUELLOS ARTÍCULOS VENDIDOS, PERO NO FABRICADOS POR TITAN (COMO LOS MOTORES DE GAS, INTERRUPTORES, MANGUERAS, ETC.) ESTÁN PROTEGIDOS POR LA GARANTÍA DE SU PROPIO FABRICANTE, SI LA HAY. TITAN PROPORCIONARÁ AL COMPRADOR ASISTENCIA RAZONABLE PARA EFECTUAR RECLAMOS EN CASO DE INCUMPLIMIENTO DE ESTAS GARANTÍAS.



## United States Sales & Service

1-800-526-5362

Fax 1-800-528-4826

556 Commerce Street  
Franklin Lakes, NJ 07417

www.titantool.com

## Canadian Branch

1-800-565-8665

Fax 1-905-856-8496

200 Trowers Road, Unit 7B  
Woodbridge, Ontario L4L 5Z8

## International

1-201-337-1240

Fax 1-201-405-7449

556 Commerce Street  
Franklin Lakes, NJ 07417 USA