



Owner's Manual
Notice d'utilisation
Manual del Propietario
For professional use only

**Do not use this equipment
before reading this manual!**

PowerTwin 6900GH



Model Number:

Gas Bare	448-894
Gas Complete	448-897
DC Electric Bare	448-899
Gas/Electric Complete	448-898

NOTE: This manual contains important warnings and instructions. Please read and retain for reference.

Table of Contents

Safety Precautions	2
Grounding Instructions	3
Gasoline Engine Safety	4
Français	28
Español	54
Specifications	4
Introduction	5
Operation	5
Fueling	5
Setup	6
Preparing to Paint	7
Painting	8
Pressure Relief Procedure	9
Cleanup	9
Cleaning a Clogged Tip	10
Maintenance	10
Daily Maintenance	10
Maintaining the Filter Assembly	10
Maintaining the Hydraulic System	11
Maintaining the Fluid Section	11
Basic Engine Maintenance (gas engine)	11
Replacing the Motor Brushes (electric motor)	12
Troubleshooting	13
Airless Gun	13
Fluid Section	13
Hydraulic Motor	14
Spray Patterns	15
Parts Lists and Service Instructions	16-27
Main Assembly	16
Bleed Hose Assembly with Valve	16
Cart Assembly	17
Belt Guard Assembly	17
Hydraulic System	18
DC— Electric Convertokit	19
Gas Convertokit	20
Filter Assembly	20
Bleed Valve Assembly	21
Siphon Hose Assembly	21
Hydraulic Motor	22
Fluid Section	24
Gun Manifold Assemblies (optional)	26
SAE O-Ring Fitting Installation	27
Accessories and Service Kits	27
Airless Tip Selection	27
Limited Warranty	80

Safety Precautions

This manual contains information that must be read and understood before using the equipment. When you come to an area that has one of the following symbols, pay particular attention and make certain to heed the safeguard.



This symbol indicates a potential hazard that may cause serious injury or loss of life. Important safety information will follow.



This symbol indicates a potential hazard to you or to the equipment. Important information that tells how to prevent damage to the equipment or how to avoid causes of minor injuries will follow.

NOTE: Notes give important information that should be given special attention.

⚠ WARNING

HAZARD: Injection injury - A high pressure stream produced by this equipment can pierce the skin and underlying tissues, leading to serious injury and possible amputation. See a physician immediately.

DO NOT TREAT AN INJECTION INJURY AS A SIMPLE CUT! Injection can lead to amputation. See a physician immediately.

The maximum operating range of the gun is 3300 PSI / 23 MPa fluid pressure.

PREVENTION:

- NEVER aim the gun at any part of the body.
- NEVER allow any part of the body to touch the fluid stream. DO NOT allow body to touch a leak in the fluid hose.
- NEVER put your hand in front of the gun. Gloves will not provide protection against an injection injury.
- ALWAYS lock the gun trigger, shut the pump off, and release all pressure before servicing, cleaning the tip or guard, changing tip, or leaving unattended. Pressure will not be released by turning off the motor. The PRIME/SPRAY knob must be turned to PRIME to relieve the pressure. Refer to the PRESSURE RELIEF PRESSURE described in the pump manual.
- ALWAYS keep the tip guard in place while spraying. The tip guard provides some protection but is mainly a warning device.
- ALWAYS remove the spray tip before flushing or cleaning the system.
- The paint hose can develop leaks from wear, kinking and abuse. A leak can inject material into the skin. Inspect the hose before each use.
- NEVER use a spray gun without a trigger lock and trigger guard in place and in good working order.
- All accessories must be rated at or above 3300 PSI / 23 MPa. This includes spray tips, guns, extensions, and hose.

NOTE TO PHYSICIAN:

Injection into the skin is a traumatic injury. It is important to treat the injury as soon as possible. DO NOT delay treatment to research toxicity. Toxicity is a concern with some coatings injected directly into the blood stream. Consultation with a plastic surgeon or reconstructive hand surgeon may be advisable.

HAZARD: EXPLOSION OR FIRE - Solvent and paint fumes can explode or ignite. Severe injury and/or property damage can occur.

PREVENTION:

- Provide extensive exhaust and fresh air introduction to keep the air within the spray area free from accumulation of flammable vapors.
- Avoid all ignition sources such as static electric sparks, open flames, pilot lights, and hot objects. Connecting or disconnecting power cords or working light switches can make sparks.
- Do not smoke in spray area.
- Fire extinguisher must be present and in good working order.
- Place paint pump in a well ventilated area. Flammable vapors are often heavier than air. Floor area must be extremely well ventilated. The paint pump contains arcing parts that emit spark and can ignite vapors.
- The equipment and objects in and around the spray area must be properly grounded to prevent static sparks.
- Use only conductive or grounded high pressure fluid hose. Gun must be grounded through hose connections.
- Power cord must be connected to a grounded circuit (electric models only).

- Always flush unit into a separate metal container, at low pump pressure, with spray tip removed. Hold gun firmly against side of container to ground container and prevent static sparks.
- Follow the material and solvent manufacturer's warnings and instructions.
- Use extreme caution when using materials with a flashpoint below 70° F (21° C). Flashpoint is the temperature that a fluid can produce enough vapors to ignite.
- Plastic can cause static sparks. Never hang plastic to enclose a spray area. Do not use plastic drop cloths when spraying flammable materials.
- Use lowest possible pressure to flush equipment.

GAS ENGINE (WHERE APPLICABLE)

Always place pump outside of structure in fresh air. Keep all solvents away from the engine exhaust. Never fill fuel tank with a running or hot engine. Hot surface can ignite spilled fuel. Always attach ground wire from pump unit to a grounded object, such as a metal water pipe. Refer to engine owner's manual for complete safety information.

HAZARD: EXPLOSION HAZARD DUE TO INCOMPATIBLE MATERIALS - Will cause severe injury or property damage.

PREVENTION:

- Do not use materials containing bleach or chlorine.
- Do not use halogenated hydrocarbon solvents such as mildewcide, methylene chloride and 1,1,1 - trichloroethane. They are not compatible with aluminum.
- Contact your coating supplier about the compatibility of material with aluminum.

HAZARD: HAZARDOUS VAPORS - Paints, solvents, insecticides, and other materials can be harmful if inhaled or come in contact with the body. Vapors can cause severe nausea, fainting, or poisoning.

PREVENTION:

- Use a respirator or mask if vapors can be inhaled. Read all instructions supplied with the mask to be sure it will provide the necessary protection.
- Wear protective eyewear.
- Wear protective clothing as required by coating manufacturer.

HAZARD: GENERAL - This product can cause severe injury or property damage.

PREVENTION:

- Read all instructions and safety precautions before operating equipment.
- Always disconnect the motor from the power supply before working on the equipment (electric models only).
- Follow all appropriate local, state, and national codes governing ventilation, fire prevention, and operation.
- The United States Government Safety Standards have been adopted under the Occupational Safety and Health Act (OSHA). These standards, particularly part 1910 of the General Standards and part 1926 of the Construction Standards should be consulted.
- Use only manufacturer authorized parts. User assumes all risks and liabilities when using parts that do not meet the minimum specifications and safety devices of the pump manufacturer.
- Before each use, check all hoses for cuts, leaks, abrasion or bulging of cover. Check for damage or movement of couplings. Immediately replace the hose if any of these conditions exist. Never repair a paint hose. Replace it with another grounded high-pressure hose.
- All hoses, swivels, guns, and accessories must be rated at or above 3300PSI/23 MPa.
- Do not spray outdoors on windy days.
- Wear clothing to keep paint off skin and hair.

Grounding Instructions

Electric models must be grounded. In the event of an electrical short circuit, grounding reduces the risk of electric shock by providing an escape wire for the electric current. This product is equipped with a cord having a grounding wire with an appropriate grounding plug. The plug must be plugged into an outlet that is properly installed and grounded in accordance with all local codes and ordinances.

DANGER — Improper installation of the grounding plug can result in a risk of electric shock. If repair or replacement of the cord or plug is necessary, do not connect the green grounding wire to either flat blade terminal. The wire with insulation having a green outer surface with or without yellow stripes is the grounding wire and must be connected to the grounding pin.

Check with a qualified electrician or serviceman if the grounding instructions are not completely understood, or if you are in doubt as to whether the product is properly grounded. Do not modify the plug provided. If the plug will not fit the outlet, have the proper outlet installed by a qualified electrician.

This product is rated more than 15 amperes and is for use on a circuit having a nominal rating of 120 volts, or the product is for use on a circuit having a nominal rating more than 120 volts, and is factory-equipped with a specific electric cord and plug to permit connection to a proper electric circuit. Make sure that the product is connected to an outlet having the same configuration as the plug. No adapter should be used with this product. If the product must be reconnected for use on a different type of electric circuit, the reconnection should be made by qualified service personnel.



Use only a 3-wire extension cord that has a 3-blade grounding plug and a 3-slot receptacle that will accept the plug on the product. Make sure your extension cord is in good condition. When using an extension cord, be sure to use one heavy enough to carry the current your product will draw. An undersized cord will cause a drop in line voltage resulting in loss of power and overheating. For lengths less than 50 feet, No. 12 AWG extension cords should be used. If an extension cord is to be used outdoors, it must be marked with the suffix W-A after the cord type designation. For example, a designation of SJTW-A would indicate that the cord would be appropriate for outdoor use.

Gasoline Engine Safety



The engine exhaust from this unit contains chemicals known to the State of California to cause cancer, birth defects, or other reproductive harm.

1. Honda engines are designed to give safe and dependable service if operated according to instructions. Read and understand the Honda Owner's Manual before operating the engine. Failure to do so could result in personal injury or equipment damage.
2. To prevent fire hazards and to provide adequate ventilation, keep the engine at least 1 meter (3 feet) away from buildings and other equipment during operation. Do not place flammable objects close to the engine.
3. Children and pets must be kept away from the area of operation due to a possibility of burns from hot engine components or injury from any equipment the engine may be used to operate.
4. Know how to stop the engine quickly, and understand the operation of all controls. Never permit anyone to operate the engine without proper instructions.
5. Gasoline is extremely flammable and is explosive under certain conditions.
6. Refuel in a well-ventilated area with the engine stopped. Do not smoke or allow flames or sparks in the refueling area or where gasoline is stored.
7. Do not overfill the fuel tank. After refueling, make sure the tank cap is closed properly and securely.
8. Be careful not to spill fuel when refueling. Fuel vapor or spilled fuel may ignite. If any fuel is spilled, make sure the area is dry before starting the engine.
9. Never run the engine in an enclosed or confined area. Exhaust contains poisonous carbon monoxide gas; exposure may cause loss of consciousness and may lead to death.
10. The muffler becomes very hot during operation and remains hot for a while after stopping the engine. Be careful not to touch the muffler while it is hot. To avoid severe burns or fire hazards, let the engine cool before transporting it or storing it indoors.
11. Never ship/transport unit with gasoline in the tank.



DO NOT use this equipment to spray water or acid.



Do not lift by cart handle when loading or unloading.

Warning Labels

Your sprayer has the English language warning labels. If you require these labels in French, German, or Spanish, or require additional English labels, order directly from Speeflo free of charge.

Part #	Language
313-771 313-784 313-1837	English
313-1306 313-1307	Spanish
313-785 313-786	French
313-787 313-788	German

Specifications

Gas Unit

- Gallons per minute (GPM) 1.7 (6.4 LPM)
- Cycle rate per gallon.....55 (14.5 cycles/liter)
- Maximum tip sizes 1 gun = .043"
2 guns = .033"
3 guns = .023"
4 guns = .019"
- Maximum pressure3300 psi (23 MPa)
- PowerHonda 5.5 HP, 4-stroke, single cylinder, overhead valve engine w/oil alert
- Fuel capacity.....0.97 US gallons (approx. 3.5 hours run time)
- Halogenated solvent compatible.....Yes
- Weight.....139 lbs. (63 kg.)
- Inlet paint filter10 mesh "rock catcher"
- Outlet paint filter.....50 mesh, 18 in.²
- Pump inlet.....3/4" NPT(F)
- Pump outlet.....1/2" NPT(F) to paint filter
- Paint filter hose connections.....1/4" NPS(M)
3/8" NPT(F) (plugged)
- Dimensions37 1/4" L (94.6 cm) x
26 3/4" W (68 cm) x
35" H (89 cm)

Fluid section wetted parts:

Electroless nickel plated ductile iron, electroless nickel plated carbon steel, proprietary Severe Service 500™ hard chrome anti-wear surface, stainless steel, tungsten carbide, UV∅∅, thiokol impregnated leather, ultra high molecular weight polyethylene.

Electric Unit

- Gallons per minute (GPM)1.25 (4.7 LPM)
- Cycle rate per gallon.....55 (14.5 cycles/liter)
- Maximum tip sizes 1 gun = .036"
2 guns = .026"
3 guns = .019"
- Maximum pressure3300 psi (23 MPa)
- Power2 HP DC Motor, 115V 15.5A, overload protected
- Halogenated solvent compatible.....Yes
- Weight.....148 lbs. (67 kg.)
- Inlet paint filter10 mesh "rock catcher"
- Outlet paint filter.....50 mesh, 18 in.²
- Pump inlet.....3/4" NPT(F)
- Pump outlet.....1/2" NPT(F) to paint filter
- Paint filter hose connections.....1/4" NPS(M)
3/8" NPT(F) (plugged)
- Dimensions37 1/4" L (94.6 cm) x
26 3/4" W (68 cm) x
35" H (89 cm)

Fluid section wetted parts:

Electroless nickel plated ductile iron, electroless nickel plated carbon steel, proprietary Severe Service 500™ hard chrome anti-wear surface, stainless steel, tungsten carbide, UV∅∅, thiokol impregnated leather, ultra high molecular weight polyethylene.

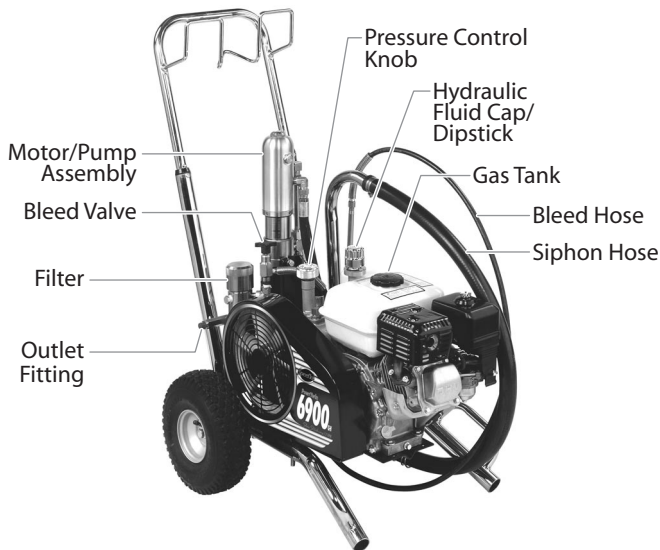


Introduction

Congratulations on having selected the finest airless sprayer available in the world. Speeflo piston pumps are tireless workhorses — so tough they are virtually indestructible, even under the most severe service. Speeflo designs and builds equipment with superior quality and reliability. Equipment that will last for years with minimal maintenance and downtime. This equipment will make you money year after year. We thank you for your purchase and welcome you to our large and growing family of Speeflo users.

The unique ability of this PowrTwin to operate with either gas or electric power provides you with the flexibility to work indoors or outside where no electricity is available.

Hydraulic drive makes possible the longest stroke and slowest cycling pumps in the industry, which translates into low maintenance and longer life. Electric units operate quietly with no motor starting and stopping.



This PowrTwin is equipped with Speeflo's Severe Service 500™ fluid pump. This technology will give you significantly longer rod, cylinder, and packing life than any other sprayer built in the world. This double ball piston pump employs a dependable and durable time-tested design. All pumps use a thick hard chrome plating on rod and cylinder parts. This plating process is harder than nitralloy, stainless steel, or hard chrome used by any other paint pump manufacturer and much more abrasion resistant. Highly polished parts reduce friction, extend packing life, and avoid damage from corrosion and abrasion. More than 100,000 of these pumps are in operation around the world.

This PowrTwin offers other cost saving features:

- Freeze-proof pressure control
- Choice of power — gas, electric, or both
- Tungsten carbide valve seats
- Self-adjusting packings
- Exclusive hand-tight swivel foot valve
- Large capacity inline paint filter
- Waterborne compatible
- "Floating Ball" pressure bleed valve
- 5 gallon siphon hose and bleed line assemblies are standard

You have made an excellent choice. We know you will be pleased with your new PowrTwin. Thanks again for selecting Speeflo. We appreciate your business.

Operation

Fueling (gas engine)

WARNING

Gasoline is extremely flammable and is explosive under certain conditions.

- ALWAYS turn the engine off before refueling.
- Refuel in a well-ventilated area.
- Do not smoke or allow flames or sparks in the refueling area or where gasoline is stored.
- Do not overfill the fuel tank. After refueling, make sure the tank cap is closed properly and securely.
- Be careful not to spill fuel when refueling. Spilled fuel or fuel vapor may ignite. If any fuel is spilled, make sure the area is dry before starting the engine.
- Avoid repeated or prolonged contact with skin or breathing of vapor.
- Keep out of the reach of children.

Fuel Specifications

- Use automotive gasoline that has a pump octane number of 86 or higher, or that has a research octane number of 91 or higher. Use of a lower octane gasoline can cause persistent "pinging" or heavy "spark knock" (a metallic rapping noise) which, if severe, can lead to engine damage.

NOTE: If "spark knock" or "pinging" occurs at a steady engine speed under normal load, change brands of gasoline. If spark knock or pinging persists, consult an authorized dealer of the engine manufacturer. Failure to do so is considered misuse, and damage caused by misuse is not covered by the engine manufacturer's limited warranty.

Occasionally you may experience light spark knock while operating under heavy loads. This is no cause for concern, it simply means your engine is operating efficiently.

- Unleaded fuel produces fewer engine and spark plug deposits and extends the life of the exhaust system components.
- Never use stale or contaminated gasoline or an oil/gasoline mixture. Avoid getting dirt, dust, or water in the fuel tank.

Gasolines Containing Alcohol

If you decide to use a gasoline containing alcohol (gasohol), be sure its octane rating is at least as high as that recommended by the engine manufacturer. There are two types of "gasohol": one containing ethanol, and the other containing methanol. Do not use gasohol that contains more than 10% ethanol. Do not use gasoline containing methanol (methyl or wood alcohol) that does not also contain co-solvents and corrosion inhibitors for methanol. Never use gasoline containing more than 5% methanol, even if it has co-solvents and corrosion inhibitors.

NOTE: Fuel system damage or engine performance problems resulting from the use of fuels that contain alcohol is not covered under the warranty. The engine manufacturer cannot endorse the use of fuels containing methanol since evidence of their suitability is incomplete at this time.

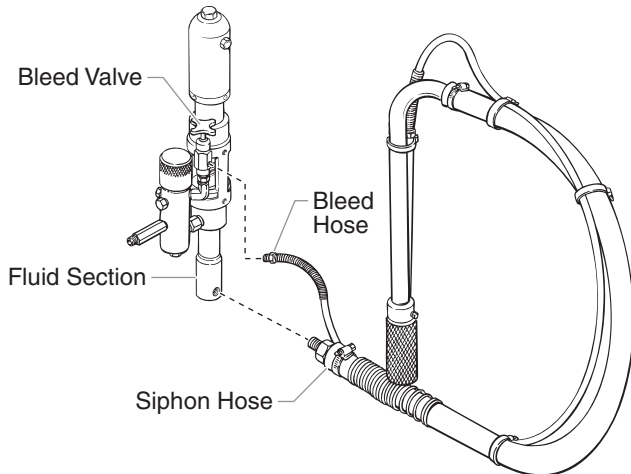
Before buying gasoline from an unfamiliar station, try to find out if the gasoline contains alcohol. If it does, confirm the type and percentage of alcohol used. If you notice any undesirable operating characteristics while using a gasoline that contains alcohol, or one that you think contains alcohol, switch to a gasoline that you know does not contain alcohol.

Setup

WARNING

Read, understand, and follow all warnings before starting or operating this sprayer.

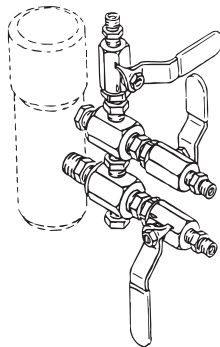
1. Connect the siphon hose to the fluid section and the bleed hose to the bleed valve. They each have factory installed UV⁰⁰ tape on the male end of the hoses and should be tightened wrench tight.



2. Attach a minimum of 50' of nylon airless spray hose to the unit. Do not use UV⁰⁰ tape or thread sealant on the spray hose connection.
3. Attach an airless spray gun to the spray hose. Do not attach the tip to the spray gun yet. Remove the tip if it is already attached.
 - a. To use two guns, remove the plug from the second gun outlet on the filter assembly. Connect a hose and gun to the outlet.

NOTE: The gas unit is engineered to handle up to 4 guns with .019" tips and the electric unit is engineered to handle up to 3 guns with .019" tips. For multiple gun operation, connect a multiple gun manifold to the single gun outlet. Connect a hose and gun to each outlet. Make sure the second gun outlet remains plugged.

Multiple Gun Manifold



4. Fill the wet-cup 1/2 full with Speeflo Piston Lube (P/N 700-925) supplied by the factory. This extends packing life.
5. Check the hydraulic fluid level daily before starting the unit. The hydraulic fluid level should be at the "Full" mark on the dipstick. Refer to the Maintenance section of this manual for hydraulic system maintenance instructions.

CAUTION

Use of Speeflo's Coolflo™ Hydraulic Fluid is mandatory in the hydraulic system. Do not use any other hydraulic fluid. Use of any other hydraulic fluid may seriously damage the hydraulic system and will void the warranty.

6. For gas models, check the engine oil level daily before starting the unit. The gasoline engine oil level is determined by the engine manufacturer. Refer to the engine manufacturer's service manual supplied with this unit.
7. For electric models, use a 20 amp service outlet. Always locate the electric model within 10 to 15 feet of the service outlet. Use a short electric cable and a long paint hose. Any extension cord will create some voltage drop. If an extension cord is necessary, use only a grounded 3-wire #12 extension cord.

NOTE: If the unit is being operated in an area that is overloaded by other appliances or low voltage conditions, it is important to start the unit "unloaded." Tip the electric motor forward so that the belt is loosened and the motor starts without full load. This reduces the amperage draw on starting and may avoid tripping the circuit breaker.

8. Make sure the unit is grounded. All units are equipped with a grounding lug. A grounding cable (not supplied) should be used to connect the unit to a true earth ground. Check your local electrical regulations for detailed grounding instructions. See the Accessories and Service Kits section near the back of this manual for grounding cable ordering information.

WARNING

Proper grounding is important. This applies to both gas and electric powered models. The passage of some materials through the nylon fluid hose will build up a static electric charge, which if discharged, could ignite solvent vapors present and create an explosion.

9. Strain all paints with a nylon strainer to ensure trouble free operation and freedom from frequent cleaning of the inlet screen and gun filter.
10. Make sure the spray area is well ventilated to prevent hazardous operation with volatile solvents or exhaust fumes.

WARNING

If lacquer or other flammable materials are to be sprayed, ALWAYS locate the unit outside the immediate spraying area. Failure to do so may cause an explosion.

11. Locate the unit outside the immediate spraying area to avoid clogged air intake of the engine or electric motor with overspray.

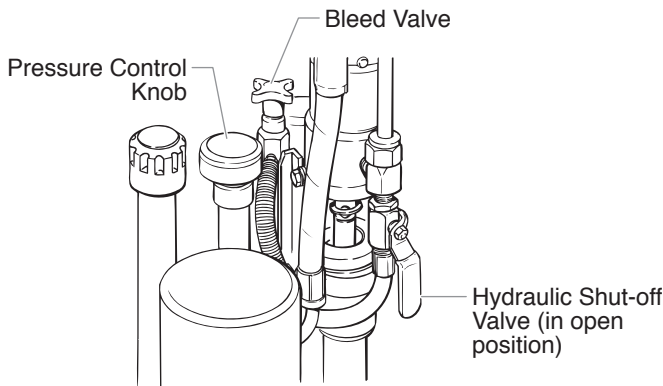
Preparing a New Sprayer

If this unit is new, it is shipped with test fluid in the fluid section to prevent corrosion during shipment and storage. This fluid must be thoroughly cleaned out of the system with mineral spirits before you begin spraying.

CAUTION

Always keep the trigger lock on the spray gun in the locked position while preparing the system.

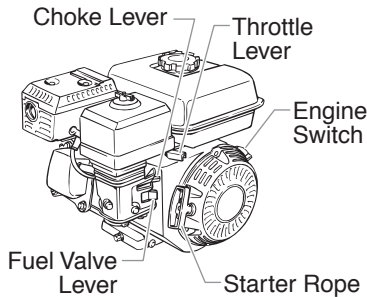
1. Place the siphon hose into a container of mineral spirits.
2. Place the bleed hose into a metal waste container.
3. Set the pressure to minimum by turning the pressure control knob fully counterclockwise.



4. Open the hydraulic shut-off valve located on the hydraulic pressure hose. The handle should be in line with the hose.
5. Open the bleed valve by turning it fully counterclockwise.
6. Start the engine or turn on the electric motor.

a. To start the gas engine,

- move the fuel valve lever to the open position,
- move the throttle lever to its middle point,
- move the choke lever to the closed position for a cold engine or to the open position for a warm engine,
- turn the engine switch to the ON position, and
- pull the starter rope briskly until the engine starts.



b. To start the electric motor, move the ON/OFF switch to the ON position.

7. Turn the pressure control knob clockwise approximately 1/3 of the way down to increase pressure until the sprayer cycles evenly and solvent flows freely from the bleed hose.
8. Allow the sprayer to run for 15–30 seconds to flush the test fluid out through the bleed hose and into the waste container.
9. Turn off the unit.
 - a. To turn off the gas engine,
 - set the pressure to minimum by turning the pressure control knob fully counterclockwise,
 - move the throttle lever to the slow position, and
 - turn the engine switch to the OFF position.
 - b. To turn off the electric motor,
 - set the pressure to minimum by turning the pressure control knob fully counterclockwise,
 - move the ON/OFF switch to the OFF position.

Preparing to Paint

Before painting, it is important to make sure that the fluid in the system is compatible with the paint that is going to be used.

NOTE: Incompatible fluids and paint may cause the valves to become stuck closed, which would require disassembly and cleaning of the sprayer's fluid section.

CAUTION

Always keep the trigger lock on the spray gun in the locked position while preparing the system.

1. Place the siphon hose into a container of the appropriate solvent.

NOTE: If you are spraying a water-based latex, flush with warm, clean water. If you are using any other material, check with the material manufacturer for a compatible solvent.

2. Place the bleed hose into a metal waste container.
3. Set the pressure to minimum by turning the pressure control knob fully counterclockwise.
4. Open the hydraulic shut-off valve located on the hydraulic pressure hose. The handle should be in line with the hose.
5. Open the bleed valve by turning it fully counterclockwise.
6. Start the engine or turn on the electric motor.
 - a. To start the gas engine,
 - move the fuel valve lever to the open position,
 - move the throttle lever to its middle point,
 - move the choke lever to the closed position for a cold engine or to the open position for a warm engine,
 - turn the engine switch to the ON position, and
 - pull the starter rope briskly until the engine starts.
 - b. To start the electric motor, move the ON/OFF switch to the ON position.
7. Turn the pressure control knob clockwise approximately 1/3 of the way down to increase pressure until the sprayer cycles evenly and solvent flows freely from the bleed hose.
8. Allow the sprayer to run for 15–30 seconds to flush the test fluid out through the bleed hose and into the waste container.
9. Turn off the unit.
 - a. To turn off the gas engine,
 - set the pressure to minimum by turning the pressure control knob fully counterclockwise,
 - move the throttle lever to the slow position, and
 - turn the engine switch to the OFF position.
 - b. To turn off the electric motor,
 - set the pressure to minimum by turning the pressure control knob fully counterclockwise,
 - move the ON/OFF switch to the OFF position.

NOTE: Make sure that the spray gun does not have a tip or tip guard installed.

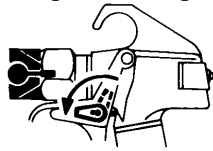
10. Close the bleed valve by turning it fully clockwise.
11. Start the engine or turn on the electric motor.
12. Turn the pressure control knob clockwise approximately 1/3 of the way down to increase pressure.
13. Unlock the gun by turning the gun trigger lock to the unlocked position.

WARNING

Ground the gun by holding it against the edge of the metal container while flushing. Failure to do so may lead to a static electric discharge, which may cause a fire.



14. Trigger the gun into the metal waste container until the old solvent is gone and fresh solvent is coming out of the gun.
15. Lock the gun by turning the gun trigger lock to the locked position.
16. Set down the gun and increase the pressure by turning the pressure control knob slowly clockwise.
17. Check the entire system for leaks. If leaks occur, follow the "Pressure Relief Procedure" in this manual before tightening any fittings or hoses.
18. Follow the "Pressure Relief Procedure" in this manual before changing from solvent to paint.



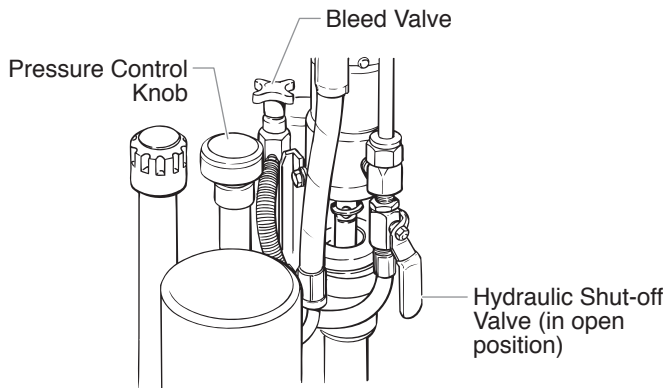
Trigger lock in locked position.

⚠ WARNING

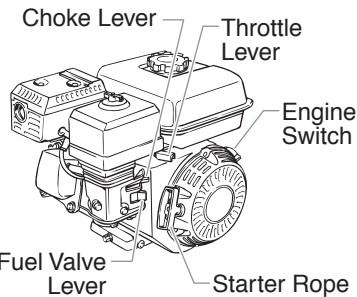
Be sure to follow the pressure relief procedure when shutting the unit down for any purpose, including servicing or adjusting any part of the spray system, changing or cleaning spray tips, or preparing for cleanup.

Painting

1. Place the siphon hose into a container of paint.
2. Place the bleed hose into a metal waste container.
3. Set the pressure to minimum by turning the pressure control knob fully counterclockwise.



4. Open the hydraulic shut-off valve located on the hydraulic pressure hose. The handle should be in line with the hose.
5. Open the bleed valve by turning it fully counterclockwise.
6. Start the engine or turn on the electric motor.
 - a. To start the gas engine,
 - move the fuel valve lever to the open position,
 - move the throttle lever to its middle point,
 - move the choke lever to the closed position for a cold engine or to the open position for a warm engine,
 - turn the engine switch to the ON position, and
 - pull the starter rope briskly until the engine starts.
 - b. To start the electric motor, move the ON/OFF switch to the ON position.
7. Turn the pressure control knob clockwise approximately 1/3 of the way down to increase pressure until the sprayer cycles evenly and paint flows freely from the bleed hose.



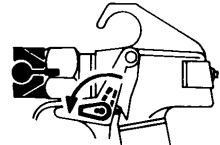
8. Turn off the unit.
 - a. To turn off the gas engine,
 - set the pressure to minimum by turning the pressure control knob fully counterclockwise,
 - move the throttle lever to the slow position, and
 - turn the engine switch to the OFF position.
 - b. To turn off the electric motor,
 - set the pressure to minimum by turning the pressure control knob fully counterclockwise,
 - move the ON/OFF switch to the OFF position.
9. Remove the bleed hose from the waste container and place it into the container of paint.
10. Close the bleed valve by turning it fully clockwise.
11. Start the engine or turn on the electric motor.
12. Turn the pressure control knob clockwise approximately 1/3 of the way down to increase pressure.
13. Unlock the gun by turning the gun trigger lock to the unlocked position.

⚠ WARNING

Ground the gun by holding it against the edge of the metal container while flushing. Failure to do so may lead to a static electric discharge, which may cause a fire.



14. Trigger the gun into the metal waste container until all air and solvent is flushed from the spray hose and paint is flowing freely from the gun.
15. Lock the gun by turning the gun trigger lock to the locked position.
16. Turn off the unit.
17. Attach tip guard and tip to the gun as instructed by the tip guard or tip manuals.



Trigger lock in locked position.

⚠ WARNING

POSSIBLE INJECTION HAZARD. Do not spray without the tip guard in place. Never trigger the gun unless the tip is in either the spray or the unclog position. Always engage the gun trigger lock before removing, replacing or cleaning tip.

18. Start the engine or turn on the electric motor.
19. Increase the pressure by turning the pressure control knob slowly clockwise and test the spray pattern on a piece of cardboard. Adjust the pressure control knob until the spray from the gun is completely atomized.

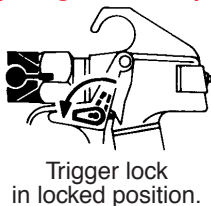
NOTE: Turning the pressure up higher than needed to atomize the paint will cause premature tip wear and additional overspray.

Pressure Relief Procedure

⚠ WARNING

Be sure to follow the pressure relief procedure when shutting the unit down for any purpose, including servicing or adjusting any part of the spray system, changing or cleaning spray tips, or preparing for cleanup.

1. Lock the gun by turning the gun trigger lock to the locked position.
2. Turn off the unit.
 - a. To turn off the gas engine,
 - set the pressure to minimum by turning the pressure control knob fully counterclockwise,
 - move the throttle lever to the slow position, and
 - turn the engine switch to the OFF position.
 - b. To turn off the electric motor,
 - set the pressure to minimum by turning the pressure control knob fully counterclockwise,
 - move the ON/OFF switch to the OFF position.
3. Close the hydraulic shut-off valve on the hydraulic pressure hose.
4. Unlock the gun by turning the gun trigger lock to the unlocked position.
5. Hold the metal part of the gun firmly to the side of a metal waste container to ground the gun and avoid a build up of static electricity.
6. Trigger the gun to remove any pressure that may still be in the hose.
7. Lock the gun by turning the gun trigger lock to the locked position.
8. Place the bleed hose into the metal waste container.
9. Open the bleed valve by turning it fully counterclockwise.



Cleanup

⚠ WARNING

Special cleanup instructions for use with flammable solvents:

- Always flush spray gun preferably outside and at least one hose length from spray pump.
- If collecting flushed solvents in a one gallon metal container, place it into an empty five gallon container, then flush solvents.
- Area must be free of flammable vapors.
- Follow all cleanup instructions.

⚠ CAUTION

The sprayer, hose, and gun should be cleaned thoroughly after daily use. Failure to do so permits material to build up, seriously affecting the performance of the unit.

⚠ WARNING

Always spray at minimum pressure with the gun nozzle tip removed when using mineral spirits or any other solvent to clean the sprayer, hose, or gun. Static electricity buildup may result in a fire or explosion in the presence of flammable vapors.

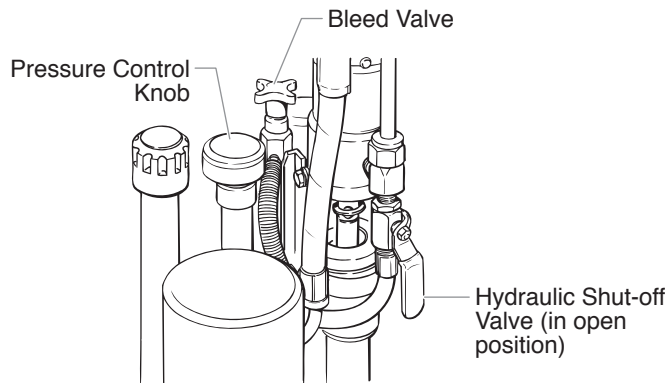
1. Follow the “Pressure Relief Procedure” found in the Operation section of this manual.
2. Remove the gun tip and tip guard and clean with a brush using the appropriate solvent.

3. Place the siphon tube into a container of the appropriate solvent.

⚠ CAUTION

Use only compatible solvents when cleaning out oil based enamels, lacquers, coal tar, and epoxies. Check with the fluid manufacturer for the recommended solvent.

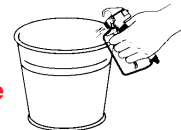
4. Place the bleed hose into a metal waste container.
5. Set the pressure to minimum by turning the pressure control knob fully counterclockwise.



6. Open the hydraulic shut-off valve located on the hydraulic pressure hose. The handle should be in line with the hose.
7. Open the bleed valve by turning it fully counterclockwise.
8. Start the engine or turn on the electric motor.
9. Allow the solvent to circulate through the unit and flush the paint out of the bleed hose into the metal waste container.
10. Turn off the unit.
11. Close the bleed valve by turning it fully clockwise.
12. Start the engine or turn on the electric motor.

⚠ WARNING

Ground the gun by holding it against the edge of the metal container while flushing. Failure to do so may lead to a static electric discharge, which may cause a fire.



13. Trigger the gun into the metal waste container until the paint is flushed out of the hose and solvent is coming out of the gun.
14. Continue to trigger the spray gun into the waste container until the solvent coming out of the gun is clean.

NOTE: For long-term or cold weather storage, pump mineral spirits through the entire system.

14. Follow the “Pressure Relief Procedure” found in the Operation section of this manual.
15. Store the unit in a clean, dry area.

⚠ CAUTION

Do not store the unit under pressure.

Cleaning a Clogged Tip

1. Follow the "Pressure Relief Procedure" in the Operation section of this manual.
2. If the tip clogs, rotate the tip handle 180° until the arrow on the handle is facing the opposite of the spray direction and the handle clicks in the reverse position.
3. Trigger the gun once so that the pressure can blow the clog out. NEVER use the tip in the reverse position for more than ONE trigger pull at a time. This procedure can be repeated until the tip is free of clogging.

WARNING

The flow from the spray tip is at very high pressure. Contact with any body part may be dangerous. Do not place finger on gun outlet. Do not point the gun at any person. Never operate the spray gun without the proper tip guard.

Maintenance

WARNING

Before proceeding, follow the Pressure Relief Procedure outlined previously in this manual. Additionally, follow all other warnings to reduce the risk of an injection injury, injury from moving parts or electric shock. Always unplug the sprayer before servicing!

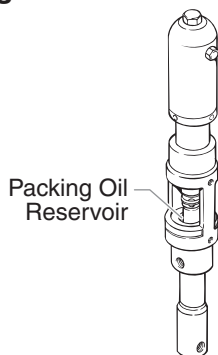
Daily Maintenance

Two daily procedures are required for routine operator maintenance on this unit:

1. Lubricating the upper packings.
2. Cleaning the rock catcher.

Lubricating the Upper Packings

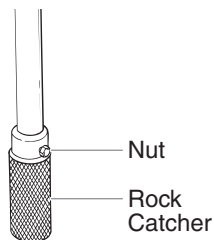
1. Clean out the paint that has seeped past the upper packings into the packing oil reservoir above the fluid section.
2. Fill the packing oil reservoir 1/2 full with Piston Lube (P/N 700-925) supplied by the factory. This will extend packing life.



NOTE: Do not over-fill the reservoir so that it overflows and drips into the paint.

Cleaning the Rock Catcher

1. The rock catcher will clog and must be cleaned at least once a day.
2. Loosen the nut that secures the rock catcher to the siphon tube.
3. Remove the rock catcher from the bottom of the siphon tube.
4. Clean thoroughly with the appropriate solvent.



Maintaining the Filter Assembly

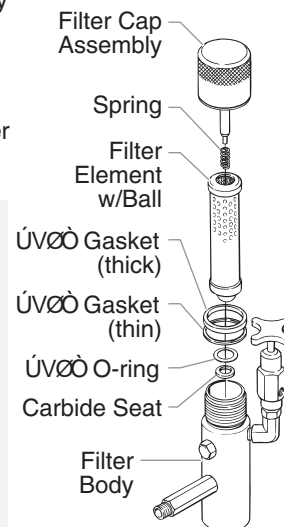
Clean the filter regularly. Dirty or clogged filters can greatly reduce filtering ability and cause a number of system problems including poor spray patterns, clogged spray tips, etc.

Cleaning

To clean the filter, perform the following procedure.

1. Follow the "Pressure Relief Procedure" found in the Operation section of this manual.
2. Remove the filter cap assembly and spring.
3. Pull the filter element with ball straight out of the filter body.
4. Clean inside the filter body, filter element with ball, and filter cap assembly using the appropriate solvent.

NOTE: Use care in handling parts as dirt, debris, scratches, or nicks may prevent o-rings or gaskets from sealing. This filter element filters from the inside out. Be sure to clean the filter element thoroughly on the inside. Soak in solvent to loosen hardened paint or replace.



Inspection

Inspect all parts of the filter assembly before reassembly.

1. Inspect the ball inside the filter element. If the ball has pressure cuts or scratches, replace the filter element.
 - a. If the ball is cut, remove the Ø o-ring using an o-ring pick and remove the carbide seat.
 - b. Check the seat for nicks or grooves. If the seat is damaged, replace.

NOTE: Removal of the DH: 9 o-ring will damage the o-ring and require replacement.

2. Remove the spring from the spring guide on the filter cap.
 - a. Measure the length of the spring uncompressed. If it measures less the 3/4" from end to end, replace.
 - b. Push the spring back onto the spring guide until it "snaps" back into position.
3. Inspect the two Ø gaskets and the Ø o-ring for deformity, nicks, or cuts. Replace, if needed.

NOTE: The DH: 9 gaskets, DH: 9 o-ring, and spring are packaged in Filter Service Kit P/N 930-050.

Reassembly

After cleaning and inspecting all parts, reassemble the filter.

1. Place the carbide seat into the filter body. Make sure the beveled side of the seat is facing up.
2. Place the Ø o-ring into the groove on the outer diameter of the carbide seat.
3. Place the filter element with ball into the filter body.

NOTE: The top and bottom of the filter element with ball are identical.

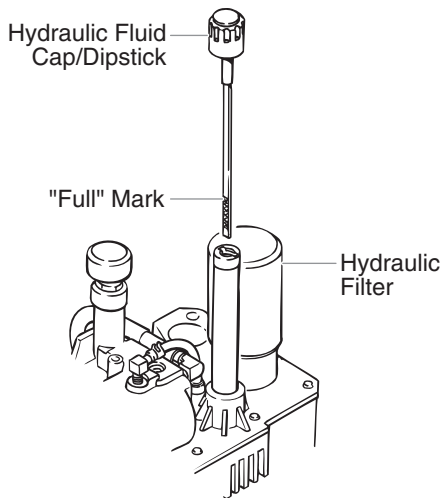
4. Push the spring back onto the spring guide of the filter cap until it "snaps" back into position, if not already done.
5. Place the thin Ø gasket onto the step at the top of the filter body.
6. Place the thick Ø gasket onto the top of the thin gasket.
7. Tighten the filter cap assembly onto the filter body.

Maintaining the Hydraulic System

CAUTION

Use of Speeflo's Coolflo™ Hydraulic Fluid is mandatory in the PowrTwin hydraulic system. Do not use any other hydraulic fluid. Use of any other hydraulic fluid may seriously damage the hydraulic system and will void the warranty.

1. Check the hydraulic fluid daily. It should be at the "Full" mark on the dipstick. If it is low, add only Speeflo Coolflo™ Hydraulic Fluid (P/N 430-361). Never add or change hydraulic fluid except in a clean, dust-free area. Contamination of the hydraulic fluid will shorten hydraulic pump life and may void warranty.



2. Change the hydraulic fluid every twelve months. Drain the old fluid from the tank and fill with 5 quarts of Speeflo Coolflo™ Hydraulic Fluid. Start the unit at just enough pressure to operate the fluid section. Run the unit at this low pressure for at least 5 minutes. This removes air from the system. Check the fluid level after this procedure.
3. The hydraulic system has an external, replaceable hydraulic filter. Change the filter every twelve months.
4. The hydraulic pump should not be serviced in the field. If service on the hydraulic pump is required, it must be returned to Speeflo.

Maintaining the Fluid Section

If the sprayer is going to be out of service for an extended period of time, it is recommended that following cleanup, a kerosene and oil mixture be introduced as a preservative. Packings may tend to dry out from lack of use. This is particularly true of the upper packing set for which upper packing lubricant Piston Lube (P/N 700-925) is recommended in normal usage.

If the sprayer has been out of service for an extended period of time, it may be necessary to prime the suction by pouring some of the paint solvent into the siphon tube to restart. It is extremely important that the threads on the siphon hose coupling are properly sealed. Any air leakage will produce erratic operation of the sprayer and may damage the system. The up and the down strokes should be approximately equal in time (one should not be faster than the other). A fast up or down stroke may indicate air in the system or malfunctioning valve or seats (see the Troubleshooting section).

Basic Engine Maintenance (gas engine)

- For detailed engine maintenance and technical specifications refer to the separate gasoline engine manual.
- All service to the engine should be performed by an authorized Honda Power Equipment dealer. To locate a dealer in your area, look in the Yellow Pages of your telephone directory under Gasoline Engines, Garden & Lawn Equipment & Supplies, Lawn Mowers, etc.
- The Honda engine is warranted exclusively by American Honda Motor Co., Inc.
- Use a premium quality motor oil certified to meet or exceed U.S. Automotive requirement SG or SF. SAE 10W30 is recommended for general all temperature use. Other viscosities may be required in other climates.
- Use only a (NGK) BP6ES or BPR6E spark plug. Gap the plug to 0.028 to 0.031 In. (0.7 to 0.8 mm) Always use a spark plug wrench.

Daily

1. Check engine oil level, and fill as necessary.
2. Check gasoline level, and fill as necessary.

WARNING

Always follow the fueling procedure outlined earlier in this manual.

First 20 Hours

1. Change engine oil.

Every 100 Hours

1. Change engine oil.
2. Clean the sediment cup.
3. Clean and re-gap the spark plug.
4. Clean the spark arrestor.

Weekly

1. Remove the air filter cover and clean the element. In very dusty environments, check the filter daily. Replace the element as needed. Replacement elements can be purchased from your local Honda dealer.

Engine Operation and Service

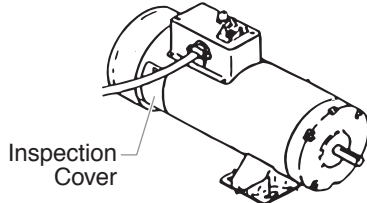
1. Clean and oil air filter pad on gasoline engine every 25 hours or once weekly. Do not permit the air intake screen around the fly wheel of the gas engine to load up with paint or trash. Clean it regularly. The service life and efficiency of the gas engine model depends upon keeping the gasoline engine running properly. Change the oil in the engine every 100 hours. Failure to observe this may result in engine overheating. Consult the engine manufacturer's service manual provided.
2. To conserve fuel, service life, and efficiency of the unit, always operate the gasoline engine at the lowest RPM at which it runs smoothly without laboring and delivers the amount required for the particular painting operation. Higher RPM does not produce higher working pressure. The gasoline engine is connected to the hydraulic pump by a pulley combination designed to produce full paint delivery of 1.2 GPM at maximum RPM.
3. The warranty on gasoline engines or electric motors is limited to the original manufacturer.

Replacing the Motor Brushes (electric motor)

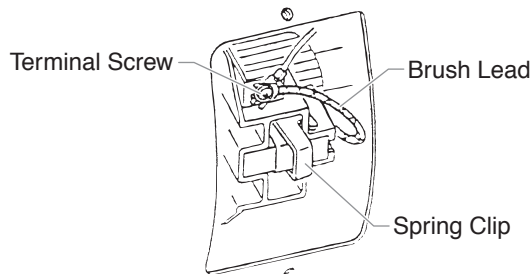
Perform this procedure using Motor Brush Kit P/N 978-050. The kit consists of two brushes, two springs, and two clips.

NOTE: Brushes should be replaced when they are worn to less than 1/2 inch. Check and replace both brushes at the same time.

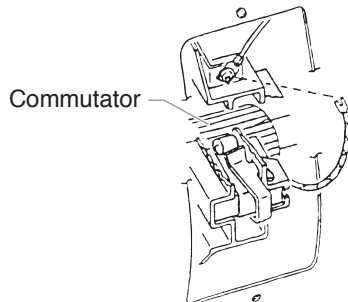
1. Remove both inspection covers on the motor.



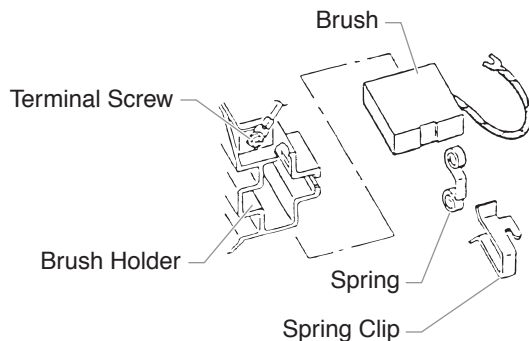
2. Push in the spring clip to unhook it, then pull it out..



3. Loosen the terminal screw. Pull the brush lead away, but leave the motor lead in place. Remove the brush and spring.
4. Inspect the commutator for burning, excessive pitting or gouging. A black color on the commutator is normal.



5. Install the new brush so its lead slides in the long slot of the brush holder. Push the terminal under the terminal screw washer. Ensure the motor lead is still connected at the screw. Tighten the screw.



6. Place the spring on the brush as shown above. Push in and hook the spring clip. Repeat this procedure for the other side.
7. Reinstall both inspection covers.

WARNING

If electric motor overloads and stops running, **IMMEDIATELY** turn the motor off and follow the Pressure Relief Procedure in the Cleanup section of this manual. Wait until the motor cools (approximately 30 minutes). Then push in the bubble top, manual reset button, turn the motor on and pressurize the system.

For CSA approved units only: The ON/OFF switch is also the RESET!

Troubleshooting

Airless Gun

Problem

Spitting gun

Cause

1. Air in system
2. Dirty gun
3. Needle assembly out of adjustment
4. Broken or chipped seat

Solution

1. Inspect connections for air leaks.
2. Disassemble and clean.
3. Inspect and adjust.
4. Inspect and replace.

Gun will not shut off

1. Worn or broken needle & seat
2. Needle assembly out of adjustment
3. Dirty gun

1. Replace.
2. Adjust.
3. Clean.

Gun does not spray

1. No paint
2. Plugged filter or tip
3. Broken needle in gun

1. Check fluid supply.
2. Clean.
3. Replace.

Fluid Section

Problem

Pump delivers on upstroke only or goes up slowly and down fast (commonly called downstroke dive)

Cause

1. Lower foot valve ball is not seating due to trash or wear
2. Material too viscous to siphon.
3. Air leaking in on siphon side or damaged siphon hose. Siphon may be too small for heavy material.

Solution

1. Remove foot valve assembly. Clean and inspect. Test foot valve by filling with water; if ball fails to seal the seat, replace ball.
2. Thin material — contact manufacturer for proper thinning procedures.
3. Tighten all connections between pump and paint container. If damaged, replace. Switch to larger diameter siphon set.

Pump delivers on down stroke only or goes up fast and down slowly

1. Upper ball is not seating due to trash or wear
2. Lower packing set is worn

1. Check upper seat and ball with water. If ball fails to seal, replace seat.
2. Replace packing set if worn.

Pump moves up and down fast, delivering material

1. Material container is empty or material is too thick to flow through siphon hose
2. Bottom ball stuck to foot valve seat
3. Siphon hose is kinked or loose

1. Refill with new material. If too thick, remove siphon hose, immerse fluid section in material, and start pump to prime. Add thinner to material. Change to bigger siphon set. Open bleed valve to remove air and restart pump.
2. Remove foot valve. Clean ball and seat.
3. Straighten.

Pump moves up and down slowly when spray gun is shut off

1. Loose connections. Bleed valve is open partially or bleed valve is worn. Lower packing seat is worn.
2. Upper and/or lower ball not seating

1. Check all connections between pump and gun. Tighten as necessary. If material is flowing from bleed hose, close bleed valve or replace, if necessary. Should none of the above be evident, replace lower packing.
2. Reseat balls by cleaning.

Not enough fluid pressure at gun

1. Spray tip is worn
2. Outlet filter or gun filter is clogged
3. Low voltage and/or inadequate amperage
4. Hose size or length is too small or too long

1. Replace.
2. Clean or replace filter.
3. Check electrical service. Correct as required.
4. Increase hose size to minimize pressure drop through hose and/or reduce hose length.

Pump chatters on up or down stroke

1. Solvent has caused upper packing to swell

1. Replace packing.

Troubleshooting

Hydraulic Motor

Problem

Oil motor stalls at bottom (no unusual heat problems)

Cause

1. Fluid pump piston seat unthreaded

2. Valve sticking or oil motor trip rod shifter assembly separated

Solution

1. If connecting rod is okay, remove cylinder head plug and pop valve down. Replace plug and start machine. If machine cycles up and stops at bottom again, then problem is piston seat on fluid pump. Check piston seat. Repair or replace as necessary. If piston seat is okay and problem does not change, check oil motor.
2. Remove valve and check for scratches and rough movement when sliding it up and down. Replace valve and spool in this condition. Check trip rod for possible separation and spool in this condition. Check trip rod for possible separation.

Oil motor stalls at top (no unusual heat problems)

1. Valve sticking

2. Broken spring retainer (valve rod assembly)
3. Broken spring or valve rod
4. Air in hydraulic motor

1. Remove valve and check for scratches and rough movement when sliding it up and down. Replace valve and spool in this condition.
2. Replace valve rod assembly.
3. Replace valve rod assembly.
4. Reset valve. Purge Air, generally accomplished by low pressure cycling of motor/pump assembly for 5–10 minutes. Check for causes of air introduction:
 - Loose fittings in tank.
 - Loose fittings on hydraulic pump.
 - Loose hose connections.
 - Low oil in reservoir.
5. Stall at top can occur randomly when fluid pump picks up air. Reset valve. Avoid air in the fluid pump.

Low pressure (okay on down stroke, sluggish on up.stroke — high heat)

NOTE: Engine labors on upstroke, idles back at stall on the down stroke.

1. Blown piston seal

2. Cracked piston

1. Before dismantling oil motor, start machine. With pump cycling under pressure, touch the hydraulic cylinder and the head to see if cylinder or head gets hotter. This will help determine if piston seal is blown or piston nut is broken. If heat is on the head, check the o-rings on spool valve.
2. Dismantle oil motor and check piston seals cylinder bore and piston nut. Pay special attention to piston nut. It can be cracked and not show externally.

Low pressure (both strokes - high heat)

NOTE: Engine labors at stall on both strokes.

1. Blown center o-rings on spool valve
2. Bad hydraulic pump

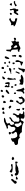
1. Before dismantling oil motor, start machine. With pump cycling under pressure, touch the head to see if the head becomes hotter. This will help determine if center o-ring is blown on spool valve. If hot, remove and replace o-ring.
2. Replace hydraulic pump.

Troubleshooting

Spray Patterns

Problem

Tails



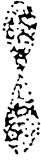
Cause

1. Inadequate fluid delivery

Solution

1. Fluid not atomizing correctly:
Increase fluid pressure. Change to smaller tip orifice size. Reduce fluid viscosity. Reduce hose length. Clean gun and filter(s). Reduce number of guns using pump.

Hour glass



1. Inadequate fluid delivery

1. Same as above.

Distorted



1. Plugged or worn nozzle tip

1. Clean or replace nozzle tip.

Pattern expanding and contracting (surge)



1. Suction leak
2. Pulsating fluid delivery

1. Inspect for suction hose leak.
2. Change to a smaller tip orifice size. Install pulsation dampener in system or drain existing one. Reduce number of guns using pump. Remove restrictions in system; clean tip screen if filter is used.

Round pattern



1. Worn tip
2. Fluid too heavy for tip

1. Replace tip.
2. Increase pressure. Thin material. Change nozzle tip.

Patents

These products are covered by one or more of the following U.S. patents:

5,947,381

5,749,528

5,660,332

5,425,506

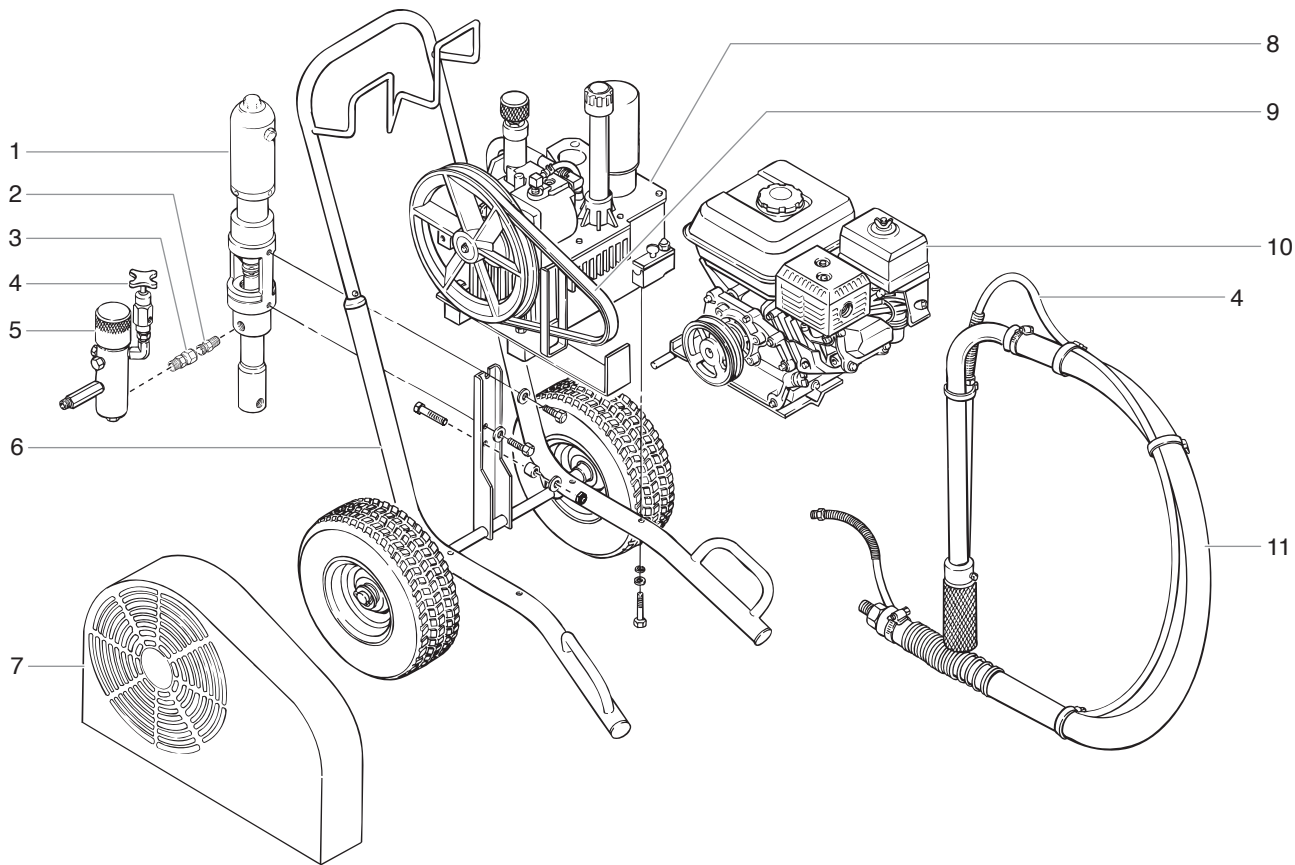
4,611,758

4,508,268

Material Safety Data Sheets (MSDS) are available on Titan's website or by calling Customer Service.

Parts Lists and Service Instructions

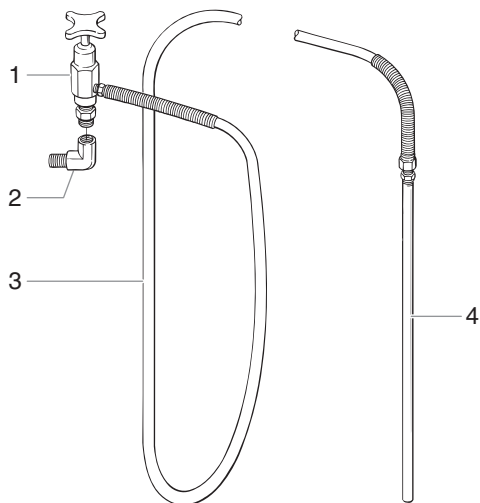
Main Assembly



Item	Part #	Description	Quantity
1	235-143	Motor/pump assembly	1
2	228-002	Adapter	1
3	200-555	Swivel adapter	1
4	840-211	Bleed hose assembly w/valve	1
5	930-515	Filter assembly	1
6	335-020	Cart assembly	1
7	449-925	Belt guard assembly	1

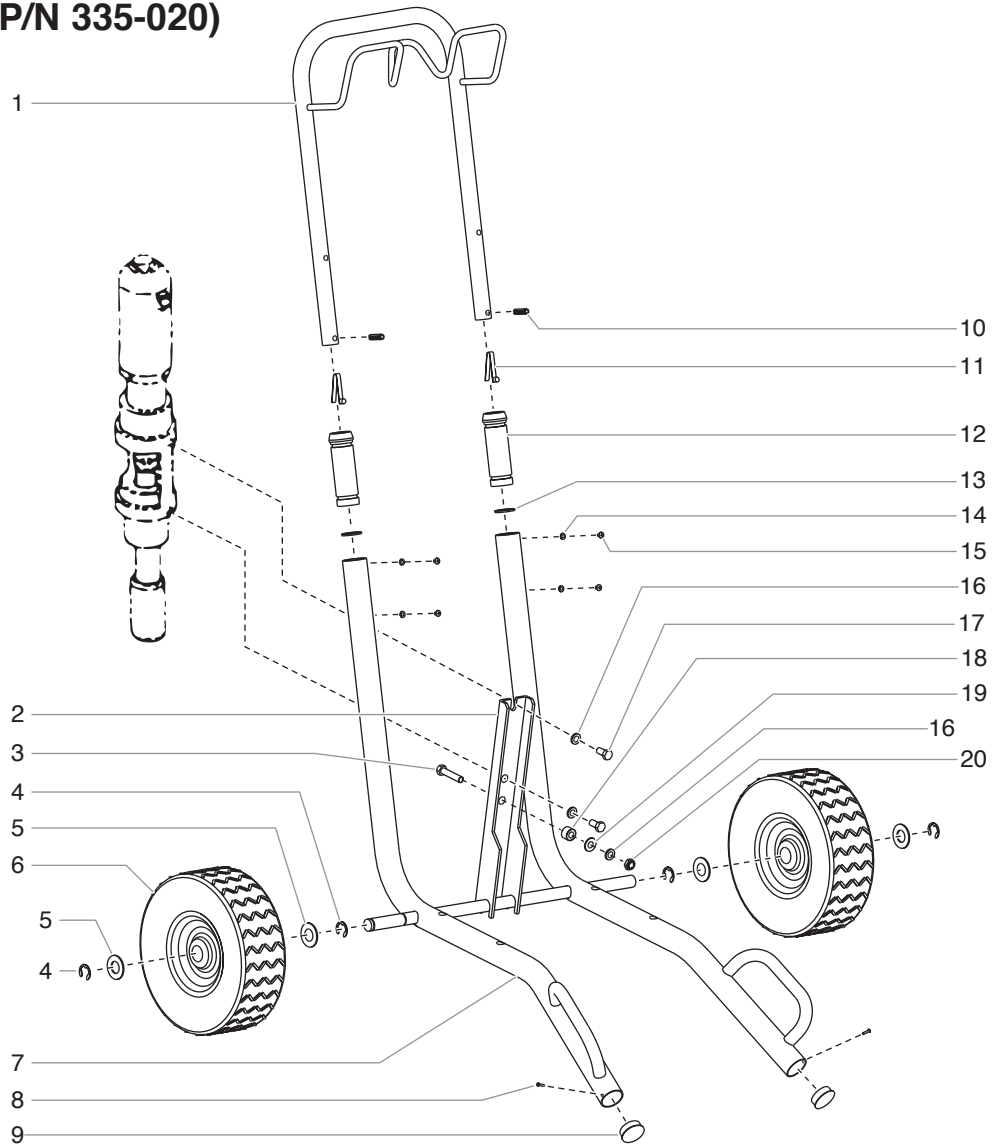
Item	Part #	Description	Quantity
8	-----	Hydraulic system	1
9	449-181	Belt, "V"	1
10	506-275	Convertokit, 5.5 HP, Honda, gasoline (gas model)	1
11	103-826	Siphon hose assembly, 1" x 4-1/2'	1
12	506-211	Convertokit, DC electric, 115V (electric model, not shown)	1

Bleed Hose Assembly with Valve (P/N 840-211)



Item	Part #	Description	Quantity
1	944-028	Bleed valve	1
2	818-014	Elbow, 90°	1
3	539-078	Hose assembly	1
4	103-117	Tube	1
5	103-111	Bleed line assembly (includes items 3 and 4)	1

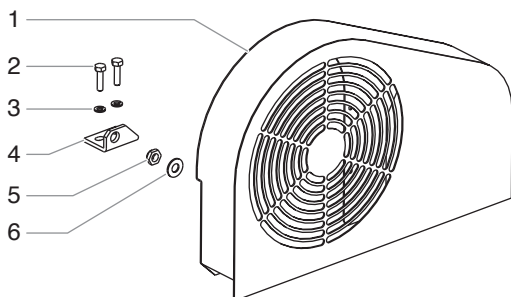
Cart Assembly (P/N 335-020)



Item	Part #	Description	Quantity
1	590-502	Handle	1
2	449-055	Motor/pump bracket	1
3	862-460	Screw	1
4	590-100	Retaining ring	4
5	870-009	Washer	4
6	335-561	Wheel	2
7	335-021	Frame, welded.....	1
8	854-020	Screw	2
9	335-018	Plug	2
10	590-508	Roll pin	2

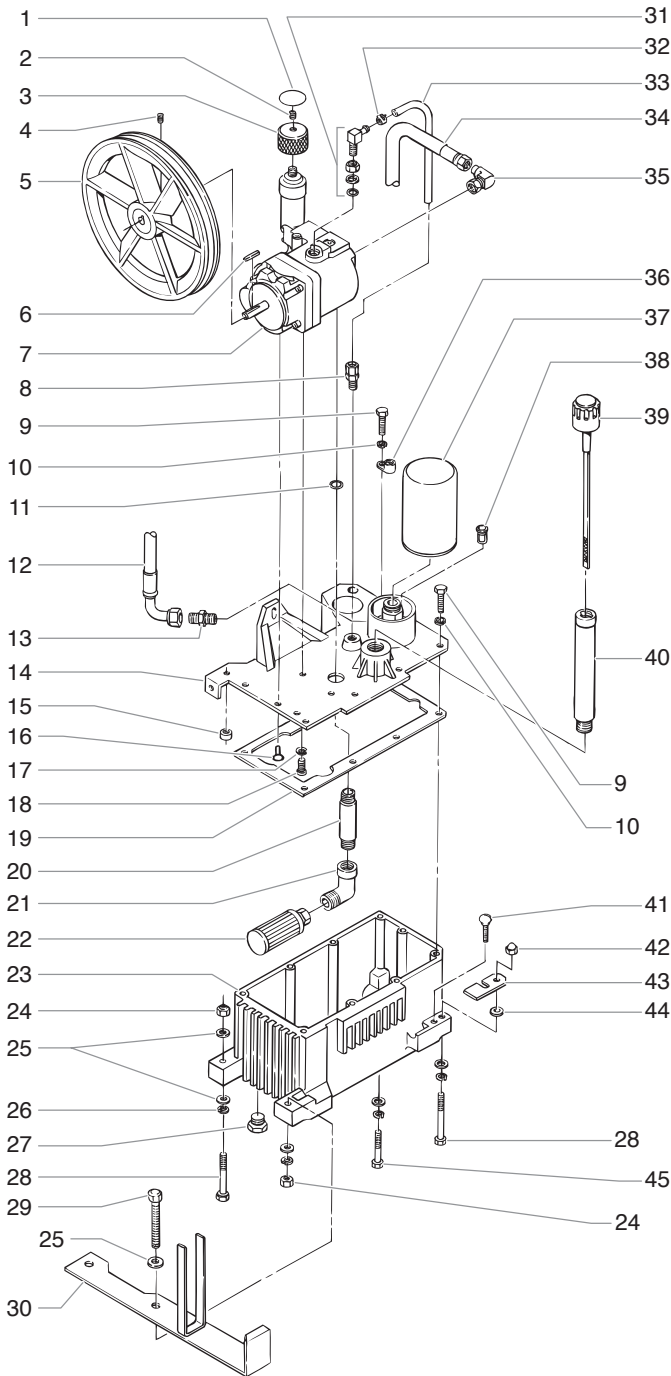
Item	Part #	Description	Quantity
11	590-507	Snap button	2
12	590-504	Sleeve	2
13	590-506	Washer	2
14	856-002	Washer	4
15	856-921	Screw	4
16	862-002	Lock washer	3
17	862-428	Screw	2
18	449-052	Spacer	1
19	862-001	Flat washer.....	1
20	862-411	Locknut.....	1

Belt Guard Assembly (P/N 449-925)



Item	Part #	Description	Quantity
1	-----	Belt guard	1
2	858-636	Screw	2
3	858-002	Lock washer	2
4	449-187	Clip	1
5	862-411	Nut.....	1
6	862-001	Washer	1

Hydraulic System

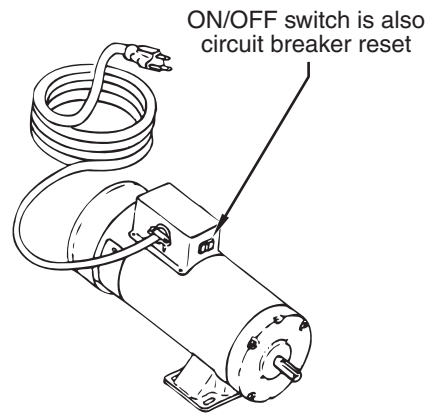
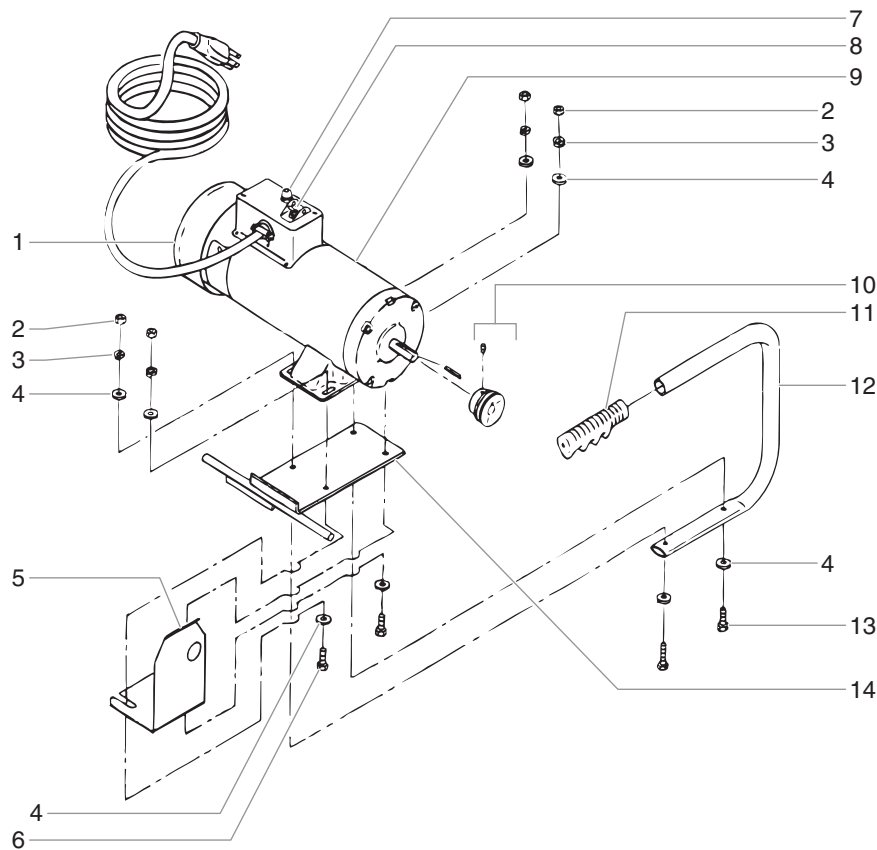


Item	Part #	Description	Quantity
1	313-755	Knob decal	1
2	862-414	Set screw	1
3	448-243	Pressure control knob	1
4	860-520	Set screw	1
5	449-195	Pulley/fan assembly	1
6	448-494	Key, pump (.156 x .156 x 1 ^{3/16})	1
7	449-752	Hydraulic pump	1
8	431-042	Tube connector	1
9	858-636	Screw, HH	8
10	858-002	Lock washer	10
11	325-031	O-ring	1
12	448-253	Return hose assembly	1
13	451-029	Fitting	1
14	449-616	Tank cover	1
15	858-609	Clinch nut	1
16	858-621	Socket screw	2
17	859-001	Washer	2
18	858-624	Screw	2
19	449-605	Tank gasket	1
20	112-208	Nipple	1
21	472-500	Elbow, street	1
22	448-208	Inlet screen	1
23	449-623	Hydraulic tank	1
24	862-411	Flex lock nut	2
25	862-001	Flat washer	6
26	862-002	Lock washer	4
27	449-212	Plug	1
28	862-493	Screw, HH	2
29	862-496	Tap bolt	1
30	449-985	Shield	1
31	192-228	Elbow	1
32	449-126	Hose clamp	1
33	420-250	Tubing, UVØ	1
34	448-246	Pressure hose assembly	1
35	192-051	Elbow	1
36	101-205	Ground lug	1
37	451-220	Hydraulic filter	1
38	449-609	Hydraulic by-pass	1
39	449-626	Hydraulic fluid cap/dipstick	1
40	449-614	Tube assembly	1
41	862-438	Thumb screw	1
42	862-402	Acorn nut	1
43	449-107	Mounting plate retainer	1
44	449-135	Spacer	1
45	862-480	Screw, HH	1
46	451-121	Elbow (not shown)	1
47	941-555	Ball valve (not shown)	1

Torque and Sealant Guide

Item	Description
4	Use blue Loctite on threads
4	Torque to 10 ft./lbs. (13.5 N/m)
8	Use hydraulic sealant
13	Use hydraulic sealant
16	Use blue Loctite on threads
16	Torque to 8 ft./lbs. (11 N/m)
18	Torque to 8 ft./lbs. (11 N/m)
20	Use hydraulic sealant
21	Use hydraulic sealant
22	Use hydraulic sealant
28	Torque to 15 ft./lbs. (20,5 N/m)
29	Torque to 15 ft./lbs. (20,5 N/m)
37	Torque to 20 ft./lbs. (28 N/m)
45	Torque to 15 ft./lbs. (20,5 N/m)

DC - Electric Convertokits

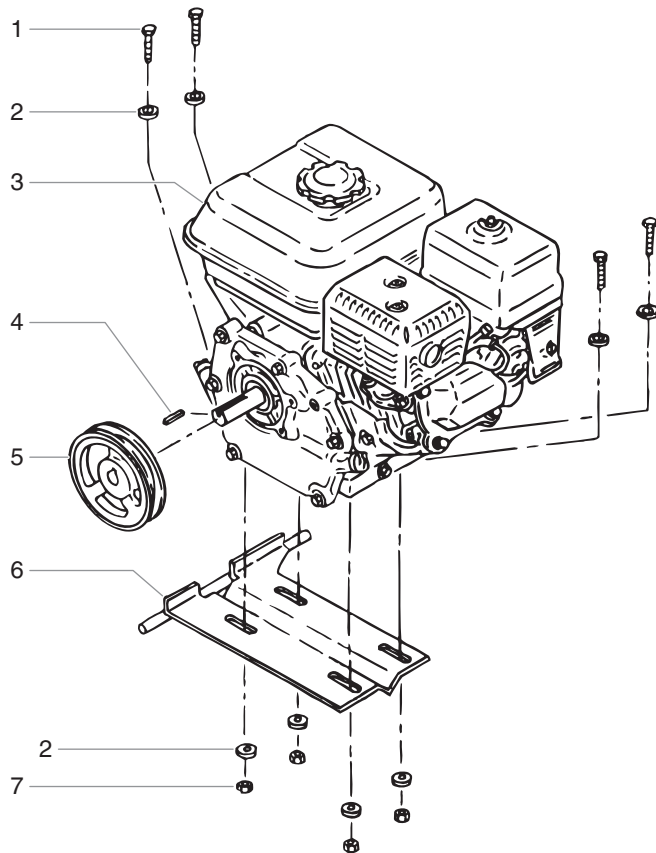


CSA Approved Motor

Item	Part #	Description	506-211	506-205
			115V Qty.	CSA, 115V Qty.
1	506-259	Cover	1	1
2	860-501	Nut stop	4	4
3	860-002	Lock washer	4	4
4	860-004	Flat washer	8	8
5	449-192	Motor shaft shield	1	1
6	860-535	Screw	2	2
7	506-257	Circuit breaker reset	1	1
8	506-260	ON/OFF switch	1	1
	506-261	ON/OFF switch, CSA approved	1	1
9	978-350	Motor, DC-Electric, 2 HP, 50 / 60 Hz, 115 V ...	1	1
	978-384	Motor, DC-Electric, 2 HP, 50 / 60 Hz, 115 V CSA approved	1	1

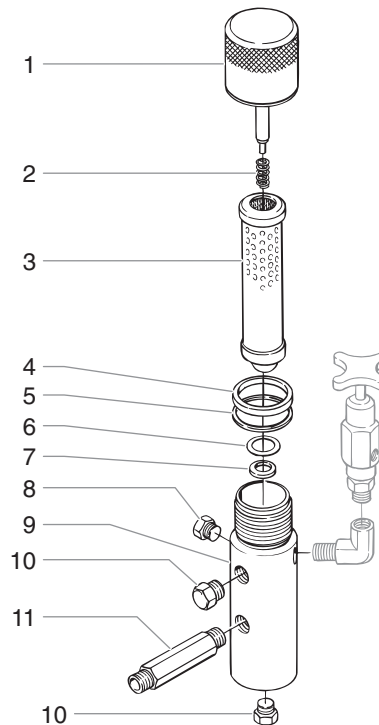
Item	Part #	Description	506-211	506-205
			115V Qty.	CSA, 115V Qty.
10	977-228	Pulley	1	1
	977-225	Pulley	1	1
11	590-068	Handle grip	1	1
12	335-017	Handle	1	1
13	860-552	Screw	2	2
14	449-170	Mount plate	1	1
15	506-255	Rectifier (not shown)	1	1
16	506-258	Fan (not shown)	1	1
17	747-951	Decal identification kit (French, not shown)	1	1
18	449-181	Belt, "V" (not shown, not part of assemblies)		

Gas Convertokit (P/N 506-275)



Item	Part #	Description	Quantity
1	860-552	Screw	4
2	860-004	Flat washer	8
3	980-331	Engine, gas 5.5 HP, Honda	1
4	980-307	Key	1
5	448-910	Pulley	1
6	449-219	Mounting plate, gas eng	1
7	860-502	Stop nut	4
8	449-181	Belt, "V" (not shown, not part of assembly)	

Filter Assembly



Item	Part #	Description	930-514 Qty.	930-515 Qty.	930-516 Qty.
1	930-937	Filter cap assembly	1	1	1
2	930-020	Spring	1	1	1
3	930-005	Filter element, 5 M, w/ball	1		
	930-006	Filter element, 50 M, w/ball		1	
	930-007	Filter element, 100 M, w/ball			1
4	920-006	Gasket, UVØ (thick)	1	1	1
5	920-070	Gasket, UVØ (thin)	1	1	1
6	891-193	O-ring, UVØ	1	1	1
7	180-909	Seat, tungsten carbide	1	1	1
8	227-027	Pipe plug	1	1	1
9	930-920	Filter body	1	1	1
10	227-033	Pipe plug	2	2	2
11	191-324	Hex nipple	1	1	1

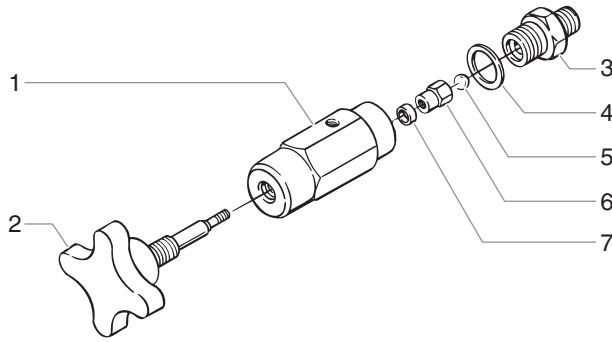
Filter Service Kit (P/N 930-050)

Item	Part #	Description	Quantity
2	930-020	Spring	1
4	920-006	Gasket, UVØ	1
5	920-070	Gasket, UVØ	1
6	891-193	O-Ring, UVØ	1

Specifications

Maximum Working Pressure	5000 psi (34.5 MPa)
Filter Area	18 In ² (116 cm ²)
Outlet Ports	(1) 1/4" NPT(F) for bleed valve (1) 3/8" NPT(F) with 1/4 NPSM(M) hose connection (1) 3/8" NPT(F) plugged for additional gun hookup
Wetted Parts	Carbon steel with electroless nickel and cadmium plating, stainless steel, tungsten carbide, UVØ

Bleed Valve Assembly (P/N 944-028)



Item	Part #	Description	Quantity
1	944-020	Valve body.....	1
2	944-024	Knob assembly.....	1
3	944-904	Valve seat.....	1
4	945-003	Copper gasket.....	1
5	761-715	Ball, T.C.....	1
6	944-026	Valve stem stop.....	1
7	944-004	O-ring, UVØØ.....	1

Service Instructions

This bleed valve has a tungsten carbide valve seat and should not require frequent replacement. The tungsten carbide ball, in normal service, will last a long time because it rotates and wears evenly. If there is leakage, replace the ball.



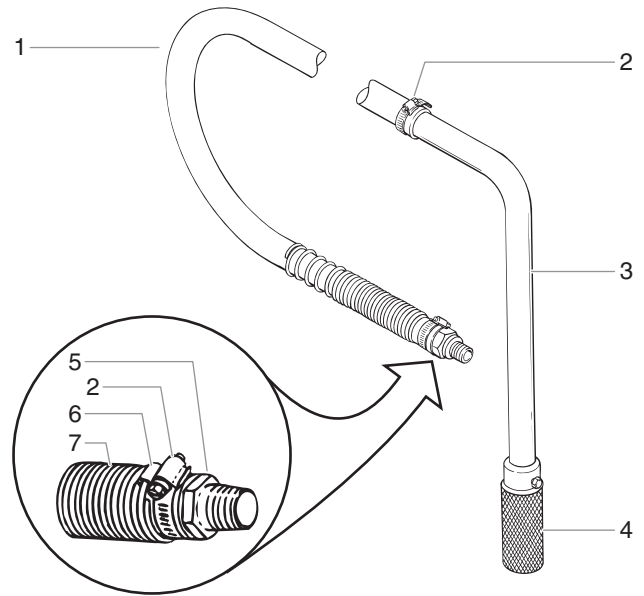
Open the adjustment knob, to full counterclockwise position before unthreading valve seat, from valve body. If the valve stem is rotated inwardly with the ball removed, the DH: 9 o-ring may require replacement. If there has been leakage from the valve stem, the DH: 9 o-ring should be replaced

NOTE: The valve stem stop must be unthreaded from the valve stem with a socket screwdriver, then the valve stem can be threaded out of the valve body.



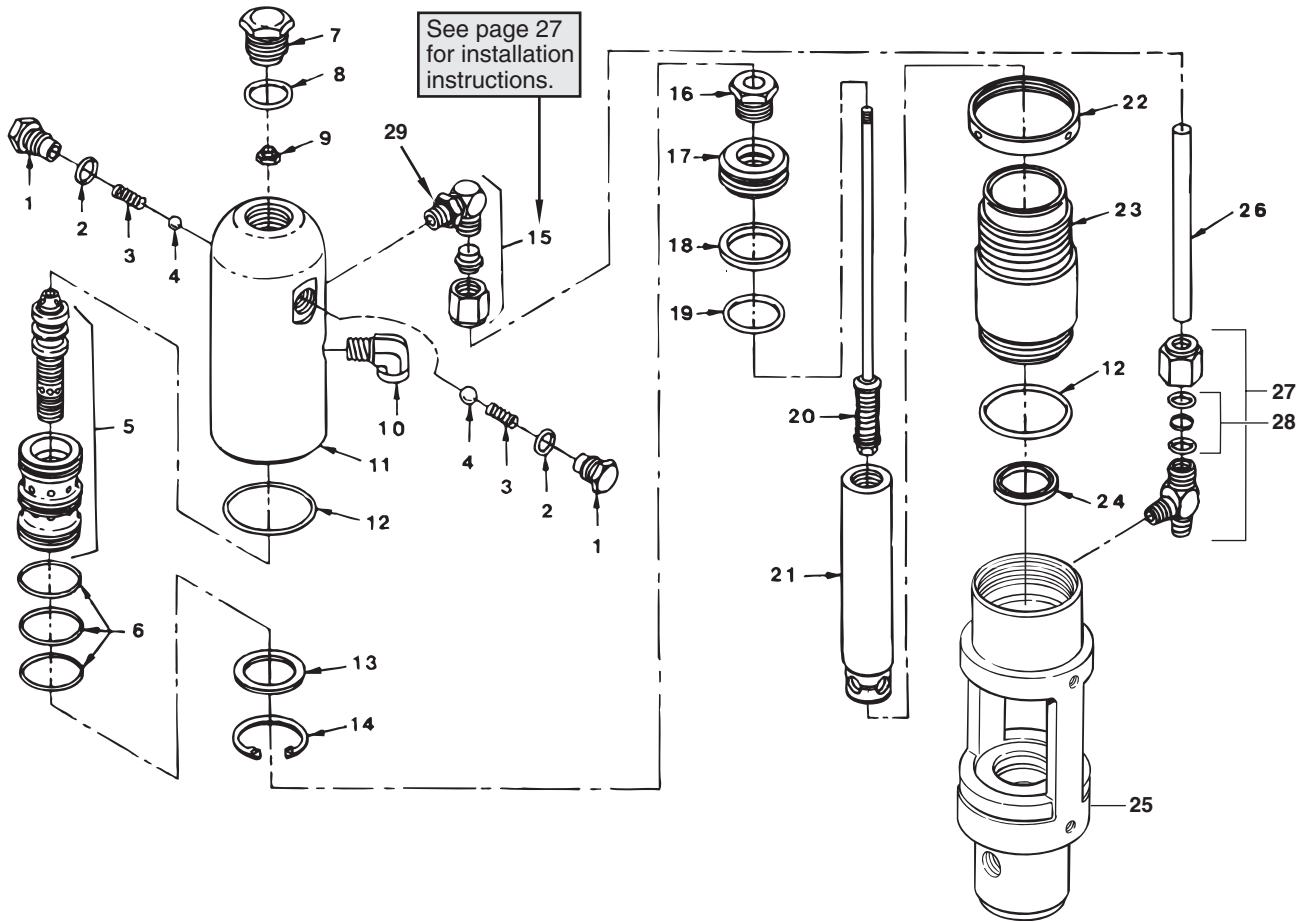
All non-moving threads must be assembled with Speeflo Loctite Sealant (P/N 426-051).

Siphon Hose Assembly



Item	Part #	Description	103-826 Qty.	103-827 Qty.
1	420-070	Hose.....	4.5'	6.5'
2	103-679	Hose clamp.....	2	2
3	103-575	Tube.....	1	
	103-585	Tube.....		1
4	103-627	Rock catcher.....	1	1
5	194-761	Adapter.....	1	1
6	103-119	Clip.....	1	1
7	103-125	Spring.....	1	1

Hydraulic Motor



Item	Part #	Description	Quantity
1	235-018	Trip retainer	2
2	141-007	O-ring	2
3	325-005	Trip spring,	2
4	569-016	Ball, SS.....	2
5	441-908	Spool / sleeve set.....	1
6	441-152	O-ring	3
7	235-030	Cylinder head plug	1
8	441-217	O-ring	1
9	858-811	Flex lock nut.....	1
10	451-121	Street elbow, 90°	1
11	235-112	Cylinder head	1
12	431-032	O-ring	2
13	431-053	Sleeve retainer	1
14	431-054	Retainer ring.....	1
15	192-000	Elbow.....	1
16	235-022	Piston retainer screw.....	1
17	235-014	Piston	1
18	235-027	Piston seal.....	1
19	235-026	O-ring	1
20	235-021	Valve rod assembly	1
21	235-948	Piston rod	1
22	235-001	Lock ring.....	1
23	235-007	Cylinder	1
24	235-028	Rod seal.....	1
25	235-929	Motor/pump block.....	1
26	235-029	Motor tube	1
27	197-031	Tee.....	1
28	431-019	O-ring kit.....	1
29	700-499	O-ring	1

Motor Service Kit — Minor (P/N 235-050)

Item	Part #	Description	Quantity
2	141-007	O-ring	2
3	325-005	Trip spring	2
4	569-016	Ball, SS.....	2
6	441-152	O-ring	3
8	441-217	O-ring	1
9	858-811	Flex lock nut.....	1
12	431-032	O-ring	2
18	235-027	Piston seal.....	1
19	235-026	O-ring	1
24	235-028	Rod seal	1

Servicing the Hydraulic Motor

Perform this procedure using the necessary parts from Motor Service Kit — Minor (P/N 235-050). If the hydraulic motor is operable, start the machine and jog the piston rod (21) into its top position.

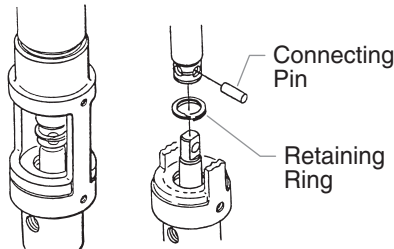
NOTE: Servicing of the hydraulic motor should be carried out in a clean, dust free area only. Any dust or metallic particles left in the motor or entering it on reassembly may damage the critical parts and affect its service life and warranty. All parts should be inspected for absolute cleanliness.

Disassembling the Hydraulic Motor

1. Disconnect the pressure hose from the elbow (34 and 35 in Hydraulic System parts list) on the back of the hydraulic pump.
2. Remove the two mounting screws and two lock washers (17 and 16, in Cart Assembly parts list) that attach the motor/pump assembly to the cart.

- Place the motor/pump assembly in a vise, holding it securely by the motor/pump block (25).
- Remove cylinder head plug (7).
- Loosen lock ring (22) with a spanner wrench and unthread tube retaining nut on tee (27). Loosen tube retaining nut on elbow (15). Slide the nut down. Push motor tube (26) into tee (27) far enough to clear elbow (15). Slowly unthread cylinder head (11) and lift it just high enough above the cylinder (23) to reach the valve rod assembly (20) with vise grip pliers.
- The piston rod (21) should be near the top of its stroke for disassembly. It may be necessary to use a wood or nylon driver to push the piston rod up to its top position.
- Grip the valve rod securely with vise grip pliers and then remove the FlexLoc nut (9) from the top of the valve rod assembly (20). Be careful that spool (5) does not fall. The cylinder head (11) can now be lifted off. Unthread the cylinder (23) from the motor/pump block (25). Note: An extra lock ring (22) can be used to jam the two lock rings together on the cylinder and a pipe wrench can be used to unthread the cylinder (23) from the motor/pump block (25).

- To remove the connecting pin, slide the retaining ring down with a small screwdriver, and then push the connecting pin out.



- Remove the piston rod assembly from the motor/pump block (25).

- Remove rod seal (24), being extremely careful not to scratch the seal groove in the motor/pump block (25).
- Place the piston retainer screw (16) on the piston rod assembly in a vise. Slide a long bar through the hole at the base of the piston rod for leverage, and unthread the piston rod from the piston retainer screw.
- Remove piston (17) and lift out valve rod assembly (20).
- Remove piston seal (18) and o-ring (19).
- Remove trip retainers (1), trip springs (3), and balls (4) from cylinder head (11). Remove o-rings (2) from trip retainers (1).
- Remove retaining ring (14) and sleeve retainer (13). Gently tap spool/sleeve set (5) out of cylinder head (11) using a wood or nylon rod.
- Inspect piston rod (21) and cylinder (23) for wear, scratches, and dents. Replace if damaged.
- Inspect spool valve (5) for wear. Replace if necessary. spool valve should move smoothly and freely with no force by holding in a vertical position. If it does not, it can cause the motor to stall.

Reassembling the Hydraulic Motor

- Separate spool/sleeve set (5). Place o-rings (6) onto sleeve. Lubricate o-rings with hydraulic oil. Gently push the sleeve into cylinder head (11) with the flatter side of the sleeve facing out. Use a nylon rod to tap sleeve down until it reaches its full depth. Do not use any other type of tool that might damage or leave particles or residue on the sleeve. Install the spool through the top of the cylinder head, down into the sleeve.

CAUTION

Do not use Piston Lube pump packing lubricant. It is a solvent and will severely damage seals and O-Rings of the hydraulic motor.

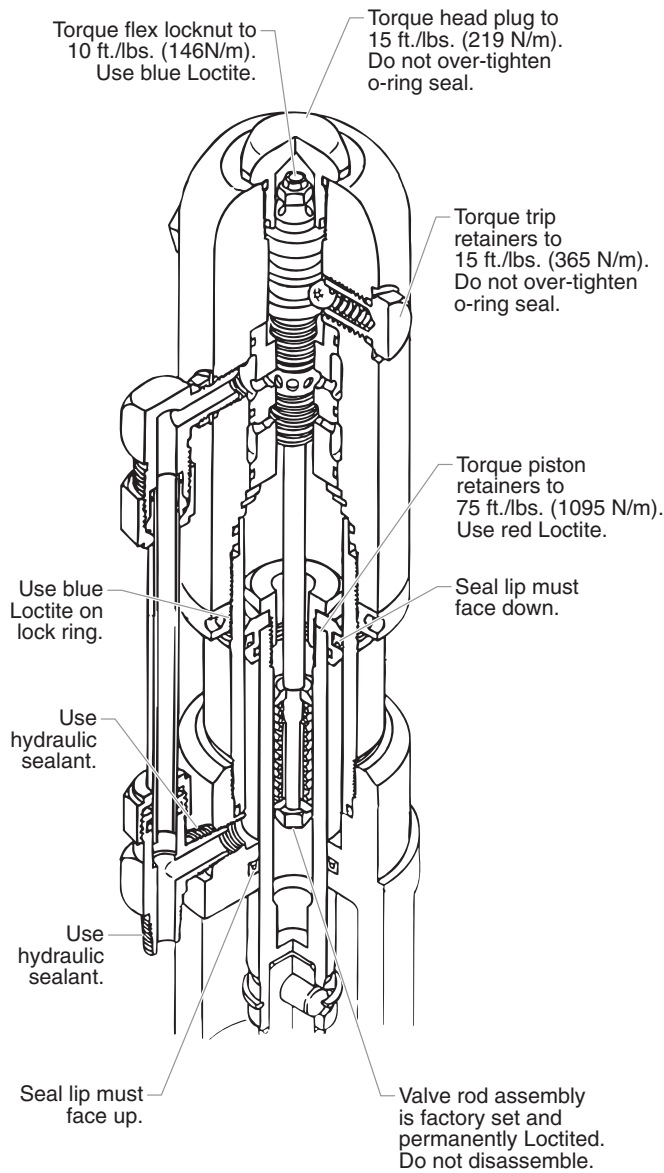
- Install o-rings (2) on trip retainers (1). Install trip retainer balls (4) followed by springs (3) which, when installed, will hold spool/sleeve set (5) in proper place for assembly.

- Install sleeve retainer (13) followed by snap ring (14) into cylinder head (11), which will hold valve sleeve in place. Install o-ring (12) in the o-ring groove of the cylinder head.
- Replace lower seal (24) in motor/pump block (25). Be sure the open portion of the seal is facing upward (V). This seal requires no special tool.
- Place piston rod (21) in vise. Inspect valve rod assembly (20) for any damage. Make sure the lock nut at the bottom of the valve rod assembly (20) is secure. DO NOT remove. Then, place into piston rod (21) as illustrated. Install o-ring (19), lubricating it well and replacing piston (17) onto piston rod (21). Put one drop of blue Loctite on the piston retainer screw (16). Tighten piston retainer screw until piston is locked into place. Check valve rod assembly (20) for normal spring action at this time.
- Install piston seal (18) with lips facing downward. Carefully install o-ring (19). Expand the ring and stretch it sufficiently for installation.
- With motor/pump block (25) still in vise, install lower seal (24) by pushing it towards its groove with a properly sized blunt rod. Then complete installation with the fingers. No tool is necessary. Do not twist the seal.
- Pre-lubricate the piston and valve rod assembly with Coolflo™ hydraulic fluid (P/N 430-361). Install piston rod (21) into motor/pump block (25) with a gently pushing and rotating motion to work the piston rod in through the seal (24).

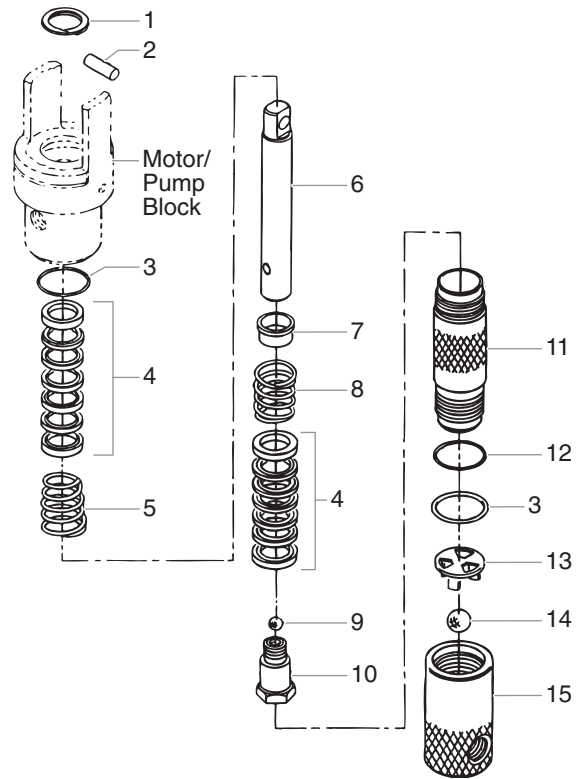
NOTE: Inspect the bottom of piston rod (21) for nicks or sharp areas that could damage the piston seal during installation through the motor/pump block (25).

- Replace the connecting rod pin and retainer ring.
- Install o-ring (12) on cylinder wall. Lubricate ring and inner wall. With the piston rod held firmly, the cylinder should be gently driven over the piston seal with a rubber mallet. Tightly thread the cylinder into motor/pump block (25).
- Raise piston rod (21) to top position and thread lock ring (22) all the way up on upper threads of cylinder (23).
- Pull valve rod assembly (20) up as far as it will travel and grasp it with vise grip pliers. Then install cylinder head (11), already assembled, over valve rod until the top threads of the valve rod pass through the top of the spool/sleeve set (5). The valve rod threads must be clean and free of oil. Place one drop of blue Loctite on threads of flex lock nut (9) and thread nut onto valve rod to full tight position (do not over-tighten) while holding valve rod below with vise grip pliers.
- Thread cylinder head (11) down onto the cylinder (23) and then back off just enough to reassemble hydraulic fittings and motor tube (26). Tighten lock ring with spanner wrench to hold cylinder head in position.
- The tee assembly (27) and the elbow (15) use an o-ring (28) to seal on the outer diameter (O.D.) of the motor tube (26). The O.D. of the motor tube should be free of scratches or sharp edges. The lock nuts on these fittings first should be hand tightened, then wrench tightened another half turn.
- Install o-ring (8) onto cylinder head plug (7). Tighten.

Hydraulic Motor Cut-Away



Fluid Section



Item	Part #	Description	Quantity
1	143-019	Retaining ring	1
2	143-120	Connecting pin	1
3	145-031	O-ring, UVØØ	2
4	138-153	Packing set, leather/UHMPWPE/steel	2
5	142-004	Packing spring, SS	1
6	143-117	Displacement rod, Severe Service 500	1
7	138-001	Spring retainer	1
8	142-003	Packing spring, SS	1
9	138-225	Ball, SS	1
10	143-945	Piston seat	1
11	143-822	Pump cylinder, Severe Service 500	1
12	140-009	O-ring	1
13	145-032	Ball cage, SS	1
14	920-103	Ball, SS	1
15	143-998	Foot valve assembly	1

Fluid Section Service Kit, Major (P/N 143-500)

Item	Part #	Description	Quantity
	143-050	Pump Service Kit, Minor	1
6	143-117	Displacement rod	1
11	143-822	Pump cylinder	1

Fluid Section Service Kit, Minor (P/N 143-050)

Item	Part #	Description	Quantity
1	143-019	Retainer ring	1
3	145-031	O-ring, UVØØ	2
4	138-153	Packing set, leather/UHMPWPE/steel	2
9	138-225	Ball, SS	1
12	140-009	O-ring	1
14	920-103	Ball, SS	1
	426-051	Loctite sealant	1

Servicing the Fluid Section

NOTE: USE OF NON-SPEEFLO SERVICE PARTS MAY VOID WARRANTY. ASK FOR ORIGINAL PARTS MADE BY SPEEFLO FOR BEST SERVICES. This pump should receive a routine servicing after approximately 1,000 hours of use. Earlier servicing is required if there is excessive leakage from the top packing or if pump strokes become faster on one stroke or the other. The use of Speeflo Piston Lube (P/N 700-925) is recommended as an upper packing lubricant. **DO NOT SUBSTITUTE OIL, WATER, OR SOLVENT** for an upper packing lubricant.

Disassembling the Fluid Section

1. Remove siphon tube assembly. Unthread the foot valve (15) and the pump cylinder (11) with a strap wrench.
2. Slide the retaining ring (1) up with a small screwdriver, then push the connecting pin (2) out.
3. Pull the displacement rod (6) through the lower cavity of the motor/pump block.
4. Remove the motor/pump block, O-ring (3), upper packing spring (5), and upper packing set (4).
5. Hold the displacement rod (6) in a vise by the flats at the top of the displacement rod and remove the piston seat (10) with a wrench while holding the displacement rod horizontal with wooden support, if necessary. Remove the ball (9), lower packing set (4), lower packing spring (8), and spring retainer (7).
6. Remove the ball cage (13), O-ring (3), and ball (14).
7. Replace the connecting pin (2) and retaining ring (1).
8. Remove the o-ring (12) from the pump cylinder (11).

Reassembling the Fluid Section

NOTE: Use DH: 9 tape on all threaded pipe connections.

1. Place the ball (14) into the foot valve (15), followed by the ball cage (13).
2. Insert the O-ring (3) into the lower groove of the foot valve (15).
3. Place the lower packing set (4) onto the piston seat (10) with the peak of the "V" packings pointing down toward the foot valve.

NOTE: The packings must be soaked in oil before installation.

4. Clean the threads on the piston seat (10) and coat the threads with blue Loctite. Make sure no Loctite is on the seat.
5. Place the ball (9) onto the piston seat (10).
6. Place the lower packing spring (8) onto the piston seat (10), followed by the spring retainer (7).
7. Screw the displacement rod (6) and the piston seat (10) together. Tighten in a vise to 75 ft./lbs.
8. Insert the O-ring (3) into the upper groove of the motor/pump block.
9. Insert the upper packing set (4) into the motor/pump block with the peak of the "V" packings pointing up toward the motor.

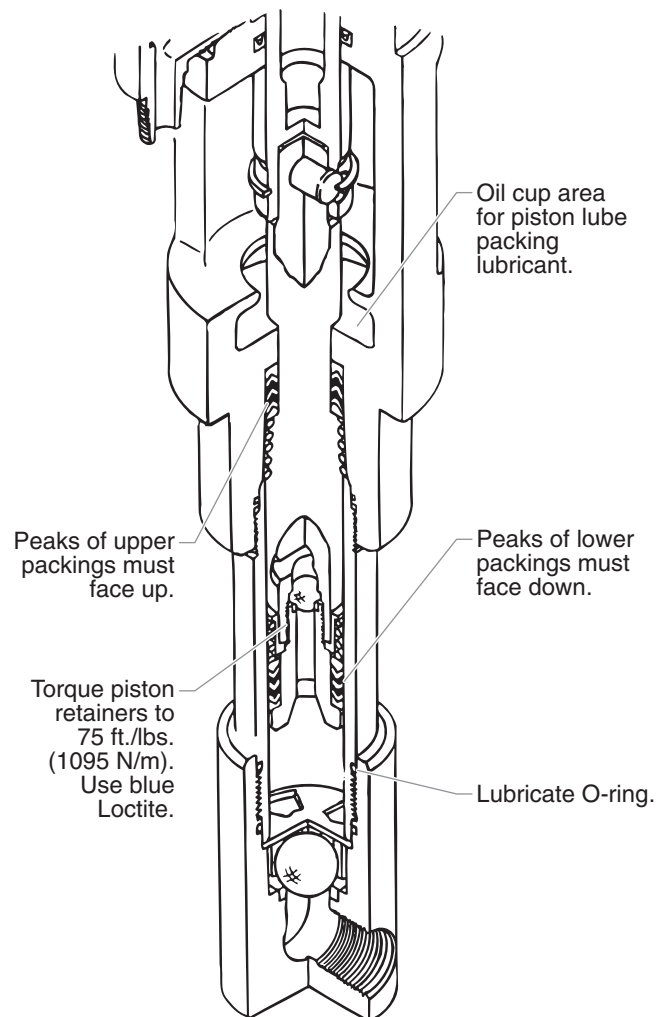
NOTE: The packings must be soaked in oil before installation.

10. Place the upper packing spring (5) into the motor/pump block with the small tapered end facing up toward the motor/pump block.
11. Insert the displacement rod (6) up through the upper packings in the motor/pump block.
12. Align the holes in the displacement rod (6) and the hydraulic piston rod and insert the connecting pin (2).

13. Thread the short threads of the pump cylinder (11) into the motor/pump block and tighten with a strap wrench.
14. Place the o-ring (12) onto the top groove of the pump cylinder (11).
15. Thread the foot valve (15) onto the pump cylinder (11), tighten with a strap wrench, then back off to align the siphon hose.

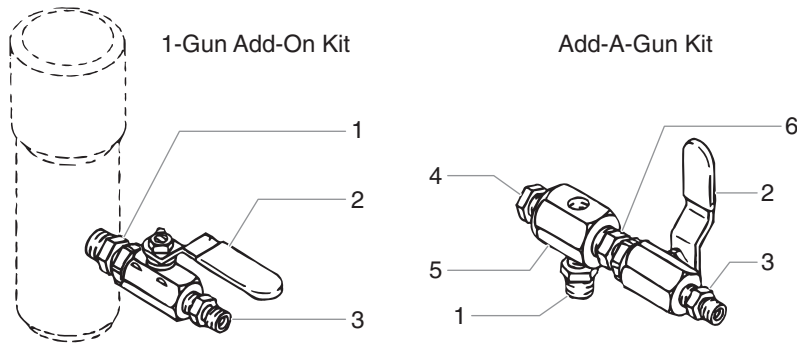
NOTE: It is not necessary to over-tighten the foot valve. O-ring seals perform sealing function without excessive tightening. Full thread engagement is sufficient. The foot valve may be rotated backward up to 1/2 turn from full engagement for convenient hose position. For siphon hose attachment, it is critically important that the threads of the siphon hose fit snugly into the foot valve with the hose assembly couplings DH: 9 taped and sealed to prevent air leakage.

Fluid Section Cut-Away



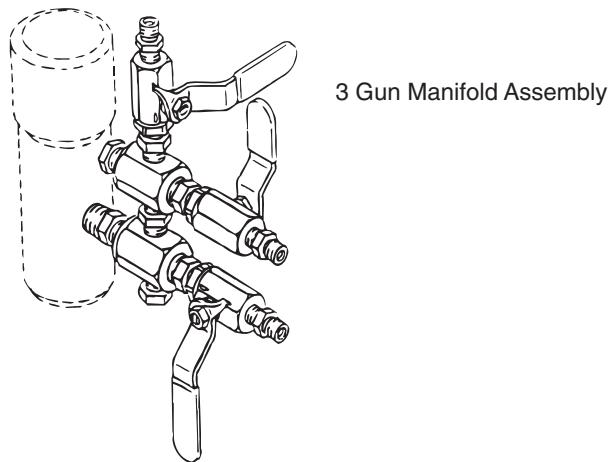
Gun Manifold Assemblies (Optional)

Single Gun Add-On Manifold Assemblies



Item	Part #	Description	975-111 1 Gun Add-On 1/4"	975-311 1 Gun Add-On 3/8"	975-200 Add-A-Gun Kit 1/4"	975-300 Add-A-Gun kit 3/8"
1	814-002	Nipple, Hex	1		1	
	814-004	Nipple, Hex		1		1
2	940-553	Valve, Ball	1		1	
	941-555	Valve, Ball		1		1
3	227-006	Nipple, Hex	1		1	
	808-555	Nipple, Hex		1		1
4	227-033	Plug, Pipe			1	1
5	970-100	Block, Manifold			1	1
6	814-004	Nipple, Hex			1	1

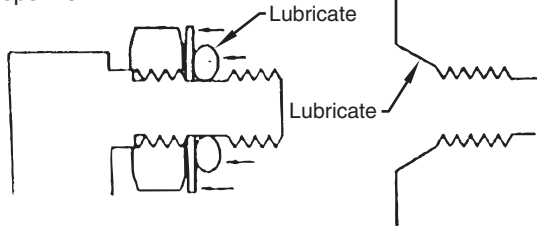
Multiple Gun Add-On Manifold Assemblies



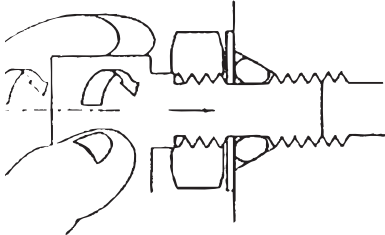
Part #	Description	975-212 2 Gun 1/4"	975-213 3 Gun 1/4"	975-214 4 Gun 1/4"	975-312 2-GUN 3/8"	975-313 3-GUN 3/8"	975-314 4-GUN 3/8"
975-111	1 Gun Add-On, 1/4"	1	1	1			
975-311	1 Gun Add-On, 3/8"				1	1	1
975-200	Add-A-Gun Kit, 1/4"	1	2	3			
975-300	Add-A-Gun Kit, 3/8"				1	2	3

SAE O-Ring Fitting Installation

Steps 1 & 2:

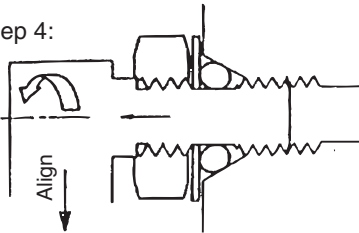


Step 3:

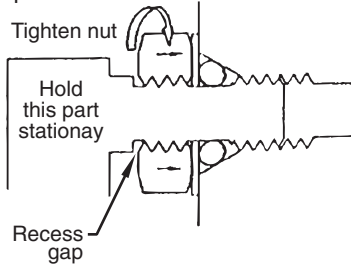


1. Pull washer and o-ring back as far as possible.
2. Lubricate o-ring and entrance port.
3. Screw fitting in until washer pushes o-ring into entrance and sits flat against port. (Do not tighten! - only do this step hand tight to compress o-ring into port!)
4. Back fitting out no more than one complete turn to align as required.

Step 4:



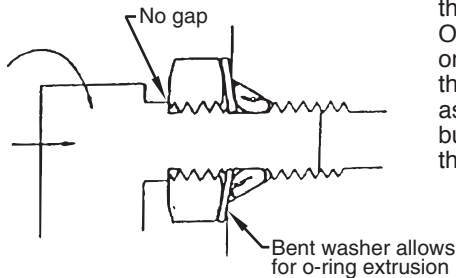
Step 5:



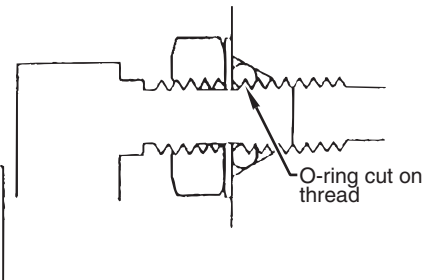
5. Torque nut wrench tight holding backup on fitting. This should expose a recess gap behind the nut which can act as an indicator that the fitting is assembled correctly. (This is a feature for a specific version of this fitting only - which screws into the cylinder head. Other fittings, as the ones which attach to the hydraulic pump, assemble the same but may not have the indicator.)

Cautions:

Avoid screwing fitting in too far.



Avoid leaving fitting too far out.



Accessories and Service Kits

These items may be purchased separately from your local Speeflo distributor.

Part #	Description
103-826	5 Gal. Siphon Hose Assembly w/Rock Catcher 1" x 4.5'
103-827	55 Gal. Siphon Hose Assembly w/Rock Catcher 1" x 6.5'
103-627	Rock Catcher
930-005	Paint Filter Element, 5 Mesh (for multicolors and heavy materials)
930-006	Paint Filter Element, 50 Mesh (for latex and normal architectural materials)
930-007	Paint Filter Elements, 100 Mesh (for stains, lacquers and fine materials)
520-050	SGX-20 G, T, and 1/4" Hose Kit
520-051	SGX-20 G, T, and 3/8" Hose Kit
101-208	Grounding Clamp
101-212	Grounding Wire, 12 Gauge x 25'
700-925	Piston Lube
430-362	Coolflo™ Hydraulic Fluid, 1 Quart
430-361	Coolflo™ Hydraulic Fluid, 1 Gallon
143-050	Fluid Section Service Kit — Minor
930-050	Filter Service Kit
944-050	Bleed Valve Service Kit
975-212	2-Gun Manifold with Ball Valves, 1/4"
975-213	3-Gun Manifold with Ball Valves, 1/4"
975-312	2-Gun Manifold with Ball Valves, 3/8"
975-313	3-Gun Manifold with Ball Valves, 3/8"

Airless Tip Selection

Tips are selected by the orifice size and fan width. The proper selection is determined by the fan width required for a specific job and by the orifice size that will supply the desired amount of fluid and accomplish proper atomization.

For light viscosity fluids, smaller orifice tips generally are desired. For heavier viscosity materials, larger orifice tips are preferred. Please refer to the chart below.

NOTE: Do not exceed the pump's recommended tip size.

The following chart indicates the most common sizes and the appropriate materials to be sprayed.

Tip Size	Spray Material	Filter Type
.011 – .013	Laquers and stains	100 mesh filter
.015 – .019	Oil and latex	50 mesh filter
.021 – .026	Heavy bodied latex and blockfillers	5 mesh filter

Fan widths measuring 8" to 12" (20 to 30 cm) are most preferred because they offer more control while spraying and are less likely to plug.

Table des matières

Consignes de sécurité	28
Instructions de mise à la terre	29
Sécurité des moteurs à essence	30
Spécifications	30
Introduction	31
Utilisation	31
Remplissage de carburant	31
Installation	32
Préparation avant de peindre	33
Peinture	34
Procédure relative à l'élimination de la pression	35
Nettoyage	35
Nettoyage d'un filtre bloqué	36
Maintenance	36
Maintenance quotidienne	36
Maintenance du filtre	36
Maintenance du circuit hydraulique	37
Maintenance de la section des liquides	37
Maintenance de base du moteur (moteur à essence)	37
Remplacement des balais du moteur (moteur électrique)	38
Dépannage	39
Pistolet sans air comprimé	39
Section des liquides	39
Moteur hydraulique	40
Formes de Jet	41
Listes des pièces et consignes d'entretien	42-53
Montage principal	42
Tuyau de purge avec soupape	42
Chariot	43
Carter de protection de la courroie	43
Circuit hydraulique	44
CC – Convertokit électrique	45
Convertokit à essence	46
Filtre	46
Soupape de purge	47
Tuyau d'aspiration	47
Moteur hydraulique	48
Section des liquides	50
Collecteur de pistolet (option)	52
Installation du joint torique SAE	53
Nécessaires d'accessoires et d'entretien	53
Sélection d'embouts sans air comprimé	53
Garantie limitée	80

Consignes de sécurité

Le présent manuel contient des renseignements à lire attentivement et à bien comprendre avant d'utiliser l'équipement. Lorsque l'un des symboles suivants apparaît, il est recommandé d'être particulièrement attentif et de tenir compte des mesures de sécurité indiquées.

AVERTISSEMENT

Ce symbole indique un risque potentiel susceptible d'entraîner des blessures graves, voire mortelles. Vous trouverez ci-après des renseignements importants concernant la sécurité.

ATTENTION

Ce symbole indique un risque potentiel pour l'utilisateur ou l'équipement. Vous trouverez ci-après des renseignements importants sur la manière d'éviter d'endommager l'équipement ou d'éviter de provoquer des blessures superficielles.

NOTA : Les remarques vous procurent des renseignements importants auxquels il faut faire particulièrement attention.

AVERTISSEMENT

DANGER : Danger de blessure par perforation – Le flux à haute pression produit par cet équipement peut percer la peau et les tissus sous-cutanés et provoquer des blessures graves voire une amputation. Consultez immédiatement un médecin.

NE TRAITÉZ PAS UNE BLESSURE PAR PERFORATION SOUS-CUTANÉE COMME UNE SIMPLE COUPURE! Une perforation sous-cutanée peut entraîner l'amputation du membre touché. Consultez immédiatement un médecin.

La pression de liquide maximale de fonctionnement du pistolet est de 3 300 PSI (23 MPa).

PRÉVENTION:

- Ne dirigez JAMAIS le pistolet vers une partie du corps.
- Ne laissez JAMAIS une quelconque partie du corps entrer en contact avec le jet de liquide. Ne laissez JAMAIS le corps entrer en contact avec une fuite dans le tuyau de liquide.
- Ne placez JAMAIS votre main devant le pistolet. Portez des gants pour vous éviter toute blessure par perforation.
- Bloquez TOUJOURS la gâchette du pistolet, éteignez la pompe et évacuez toute la pression avant de réparer l'outil, de nettoyer l'embout ou le carter de protection, de remplacer l'embout ou de laisser l'outil sans surveillance. La pression n'est pas libérée lorsque vous éteignez le moteur. Le bouton AMORCE/JET doit être placé sur AMORCE pour évacuer la pression. Consultez le paragraphe intitulé Purge de la pression du manuel de la pompe.
- Placez TOUJOURS la protection de l'embout lorsque vous pulvérisiez. Celui-ci fournit une certaine protection, mais il est avant tout un dispositif de prévention.
- Démontez TOUJOURS l'embout de pulvérisation avant de purger ou de nettoyer le circuit.
- Le tuyau de peinture peut présenter des fuites s'il est usé, tordu ou endommagé. Une fuite peut projeter de la peinture sur la peau et causer une perforation sous-cutanée. Vérifiez soigneusement le tuyau avant chaque utilisation.
- N'utilisez JAMAIS un pistolet de pulvérisation qui ne dispose pas d'un dispositif de blocage de gâchette ou d'une protection de gâchette en bon état de fonctionnement.
- Tous les accessoires doivent pouvoir fonctionner à des pressions de 3 330 PSI (23 MPa) minimum. Cette remarque concerne les embouts de pulvérisation, les pistolets, les rallonges et le tuyau.

REMARQUE POUR LE MÉDECIN:

Une perforation sous-cutanée constitue un traumatisme. Il est important de traiter la blessure le plus tôt possible. NE retardez PAS le traitement pour des recherches de toxicité. La toxicité n'est préoccupante que lorsque certaines peintures pénètrent dans le flux sanguin. Il peut être recommandé de consulter un chirurgien plastique ou un spécialiste de chirurgie reconstructrice de la main.

DANGER : RISQUES D'EXPLOSION OU D'INCENDIE – Les émanations de solvants et de peinture sont explosives et inflammables. Elles peuvent causer des blessures corporelles ou des dommages matériels importants.

PRÉVENTION:

- Veillez à éviter toute accumulation de vapeurs inflammables en vous assurant que la zone de pulvérisation est suffisamment ventilée.
- Veillez à éviter la présence de toute source incandescente comme les étincelles électrostatiques, la flamme nue, les pilotes et les objets chauds. Le branchement ou le débranchement de câbles électriques ou de lampes de travail peut produire des étincelles.
- Ne fumez pas dans la zone de pulvérisation.
- Ayez toujours un extincteur en bon état de marche à portée de main.
- Gardez l'appareil dans un endroit sec et bien aéré. Les vapeurs inflammables sont souvent plus denses que l'air. La zone proche du sol doit être extrêmement bien ventilée. La pompe à peinture contient des pièces susceptibles de former des arcs électriques qui peuvent émettre des étincelles et enflammer les vapeurs.
- L'équipement utilisé de même que les objets se trouvent à proximité de la zone de pulvérisation doivent être correctement mis à la terre pour éviter la formation d'étincelles électrostatiques.

- N'utilisez qu'un tuyau de liquide à haute pression conducteur ou relié à la terre. Le pistolet doit être relié à la masse par les branchements de tuyaux.
- Le cordon d'alimentation doit être raccordé à un circuit mis à la terre (modèles électriques uniquement).
- Vidangez toujours l'appareil dans un contenant métallique séparé, à une faible pression et avec l'embout de pulvérisation enlevé. Tenez fermement le pistolet contre le côté du contenant pour relier le contenant à la masse et éviter la formation d'étincelles électrostatiques.
- Suivre les instructions et les mises en garde du fabricant du solvant.
- Redoubler d'attention lorsque vous utilisez des matériaux dont le point d'éclair est inférieur à 70°F (21°C). Le point d'éclair est la température à laquelle un liquide peut produire assez de vapeurs pour s'enflammer.
- Les plastiques peuvent produire des étincelles électrostatiques. Ne jamais accrocher de revêtement en plastique pour fermer la zone de pulvérisation. N'utilisez pas de vêtements en plastiques lorsque vous pulvérisez des matériaux inflammables.
- Utilisez la plus petite pression possible pour rincer l'équipement.

MOTEUR ESSENCE (SI APPLICABLE)

Placez toujours la pompe à l'extérieur à l'air libre. Éloignez tous les solvants du conduit d'échappement du moteur. Ne remplissez jamais le réservoir de carburant lorsque le moteur est en marche ou chaud. Le carburant répandu au sol peut s'enflammer au contact de surfaces chaudes. Fixez toujours un câble de mise à la terre entre la pompe et un objet mis à la terre, comme un tuyau à eau métallique. Veuillez consulter le manuel de l'utilisateur du moteur pour de plus amples renseignements concernant les consignes de sécurité.

DANGER : RISQUE D'EXPLOSION EN RAISON DE MATÉRIAUX INCOMPATIBLES – Peut entraîner des dommages matériels ou des blessures graves.

PRÉVENTION:

- N'utilisez pas de matériaux contenant de l'eau de javel ou du chlore.
- N'utilisez pas de solvants aux hydrocarbures halogénés tels que des agents antimoisissure, du chlorure de méthylène, et du trichloroéthane 1,1,1. Ils ne sont pas compatibles avec l'aluminium.
- Communiquez avec votre fournisseur de peinture pour plus de détails concernant la compatibilité des matériaux avec l'aluminium.

DANGER : VAPEURS TOXIQUES – Les peintures, solvants, insecticides et autres produits peuvent s'avérer toxiques en cas d'inhalation ou de contact avec la peau. Les vapeurs peuvent entraîner des nausées, des pertes de conscience ou des empoisonnements.

PRÉVENTION:

- Utilisez un masque de protection si des vapeurs peuvent être inhalées. Lisez attentivement toutes les instructions fournies avec le masque pour vous assurer qu'il vous apportera bien toute la protection nécessaire.
- Portez un masque de protection.
- Portez des vêtements de protection, selon les instructions du fabricant de peinture.

DANGER : GÉNÉRALITÉ – Ce produit peut provoquer des blessures ou des dégâts matériels graves.

PRÉVENTION:

- Lisez attentivement toutes les instructions et les consignes de sécurité avant de faire fonctionner l'appareil.
- Débranchez toujours le moteur de la source d'alimentation électrique avant de travailler avec l'équipement (modèles électriques uniquement).
- Respectez attentivement toutes les réglementations locales, provinciales et fédérales concernant la ventilation, la prévention des incendies et les conditions d'utilisation.

- Les normes de sécurité du gouvernement américain sont régies par la Occupational Safety and Health Act (OSHA). Il est important de consulter ces normes, en particulier la section 1910 sur les normes générales et la section 1926 sur les normes de la construction.
- N'utilisez que des pièces autorisées par le fabricant. L'utilisateur sera tenu responsable de tout dommage subi s'il utilise des pièces non conformes aux caractéristiques minimales et aux consignes de sécurité du fabricant de la pompe.
- Avant chaque utilisation, vérifiez tous les tuyaux et recherchez toute trace d'entaille, de coupure, de fuite, d'abrasion. Assurez-vous également que le couvercle n'est pas bombé. Vérifiez l'état ou le mouvement des joints. Remplacez immédiatement le tuyau s'il présente l'un de ces défauts. Ne réparez jamais un tuyau à peinture. Remplacez-le par un autre tuyau à haute pression mis à la terre.
- Tous les tuyaux, raccords orientables, pistolets et autres accessoires doivent pouvoir fonctionner à des pressions égales ou supérieures à 3 300 PSI (23 MPa).
- Ne pulvérisez jamais à l'extérieur lorsqu'il vente.
- Portez des vêtements de protection pour protéger votre corps et vos cheveux des éclaboussures de peinture.

Instructions de mise à la terre

Les modèles électriques doivent être reliés à la terre. En cas de court-circuit électrique, la mise à la terre réduit les risques de choc électrique en fournissant un fil d'évacuation pour le courant électrique. Ce produit est équipé d'un cordon comportant un fil de mise à la terre et une fiche de mise à la terre appropriée. La fiche doit être branchée dans une prise correctement installée et reliée à la terre conformément aux codes et aux règlements locaux en vigueur.

DANGER – Une installation incorrecte de la fiche de mise à la terre risque de provoquer un choc électrique. Si vous devez réparer ou remplacer le cordon ou la fiche d'alimentation, ne branchez pas un fil de mise à la terre vert à une borne à broche plate. Le fil comportant un isolant de couleur verte, avec ou sans ligne jaune, est le fil de mise à la terre et doit être branché à la broche de mise à la terre.

Consultez un électricien qualifié ou un technicien d'entretien si vous n'avez pas totalement compris les instructions de mise à la terre ou si vous avez un doute concernant le branchement de l'appareil à la terre. Ne modifiez pas la prise fournie. Si la fiche n'entre pas dans la prise murale, faites installer une prise murale par un électricien qualifié.

Ce produit fonctionne à plus de 15 ampères et doit être utilisé sur un circuit avec une tension nominale de 120 volts, ou doit être utilisé sur un circuit avec une tension nominale supérieure à 120 volts, et est équipé en usine d'un cordon électrique spécifique et d'une fiche qui permettent de le brancher sur un circuit électrique approprié. Assurez-vous que le produit est bien branché dans une prise ayant la même configuration que la fiche. Aucun adaptateur ne doit être utilisé avec cet appareil. Si l'appareil doit être rebranché pour être utilisé sur un type de circuit électrique différent, le nouveau branchement doit être réalisé par un technicien qualifié



N'utilisez qu'un câble de rallonge trifilaire muni d'une fiche de mise à la terre de trois lames et d'une prise à trois orifices dans laquelle peut être branchée la fiche du produit. Assurez-vous que la rallonge est bien en bon état. Lorsque vous utilisez une rallonge, assurez-vous qu'elle convient au courant consommé par l'appareil. Une rallonge de section inférieure produira une perte de tension, et par conséquent une perte de puissance et une surchauffe. Une rallonge de calibre no 12 est recommandée pour des longueurs inférieures à 15,3 mètres (50 pieds). Si votre rallonge doit être utilisée à l'extérieur, le suffixe W-A doit apparaître après la désignation du type de câble. Par exemple, la désignation SJTW-A indiquerait que le câble peut être utilisé à l'extérieur.

Sécurité des moteurs à essence

⚠️ AVERTISSEMENT

Les produits chimiques contenus dans les vapeurs d'échappement de cet appareil sont reconnus par l'État de la Californie (États-Unis) comme étant cancérigènes. Ils peuvent également entraîner des anomalies congénitales ou d'autres dangers pour la santé.

1. Les moteurs Honda sont conçus pour fonctionner en toute sécurité et avec une fiabilité maximale s'ils sont utilisés conformément aux instructions. Veuillez lire et comprendre le manuel de l'utilisateur de Honda avant de faire fonctionner le moteur. Le non-respect de ces consignes peut entraîner des dommages matériels ou des blessures physiques graves.
2. Pour éviter tout risque d'incendie et fournir une ventilation adéquate, placez le moteur à une distance minimale de 1 mètre (3 pieds) des immeubles et d'autres équipements pendant son fonctionnement. Ne placez pas d'objets inflammables à côté du moteur.
3. Tenez les enfants et les animaux domestiques à l'écart de la zone de travail; vous éviterez ainsi tout risque de brûlures sur les pièces chaudes du moteur et de blessures entraînées par les accessoires utilisés par le moteur pour son fonctionnement.
4. Sachez comment arrêter rapidement le moteur, et assurez-vous que vous avez bien compris le fonctionnement de toutes les commandes. Ne permettez jamais à une personne de faire fonctionner le moteur sans connaître les instructions nécessaires.
5. L'essence est extrêmement inflammable et explosive dans certaines conditions.
6. Remplissez le réservoir de carburant dans une zone bien ventilée, moteur arrêté. Ne fumez pas et évitez toutes flammes ou étincelles dans la zone de remplissage de carburant ou dans une zone de stockage du carburant.
7. Veillez à ne pas faire déborder le réservoir de carburant. Après remplissage, assurez-vous que le bouchon du réservoir est solidement vissé.
8. Faites attention à ne pas renverser de carburant lors du remplissage du réservoir. Les vapeurs ou les éclaboussures de carburant peuvent s'enflammer. En cas d'éclaboussures, assurez-vous que la zone est bien sèche avant de faire démarrer le moteur.
9. Ne faites jamais fonctionner le moteur dans un endroit fermé ou confiné. Les fumées d'échappement contiennent du monoxyde de carbone qui est un gaz toxique; une exposition prolongée peut entraîner une perte de conscience et peut s'avérer mortelle.
10. Le silencieux devient très chaud pendant le fonctionnement et reste chaud quelque temps après l'arrêt du moteur. Faites attention à ne pas toucher le silencieux tant qu'il est chaud. Pour éviter des brûlures graves ou des risques d'incendie, laissez le moteur refroidir avant de le transporter ou de le ranger à l'intérieur.
11. Ne transportez jamais le moteur si le réservoir est plein.

⚠️ AVERTISSEMENT

N'utilisez PAS cet appareil pour pulvériser de l'eau ou de l'acide.

⚠️ ATTENTION

Ne soulevez pas l'appareil par la poignée du chariot pour le charger ou le décharger.

Étiquettes d'avertissement

Les étiquettes d'avertissement apposées sur votre pulvérisateur sont en anglais. Si vous souhaitez des étiquettes en français, en allemand ou en espagnol, ou si vous avez besoin d'étiquettes supplémentaires, en anglais, veuillez les commander gratuitement auprès de Speeflo.

Part #	Langue
313-771 313-784 313-1837	Anglais
313-1306 313-1307	Español
313-785 313-786	Français
313-787 313-788	Allemand

Spécifications

Modèle à essence

Gallons par minute (GPM).....	1,7 (6,4 LPM)
Cycles par gallon.....	55 (14,5 cycles/litre)
Taille maximale des embouts	1 pistolet = 0,043 po 2 pistolets = 0,033 po 3 pistolets = 0,023 po 4 pistolets = 0,019 po
Pression maximale	3300 psi (23 MPa)
Alimentation électrique	Honda 5.5 HP, 4-soupapes, monocylindre, moteur à soupape en tête et avertisseur d'huile
Capacité de carburant	0,97 gallon US (environ 3.5 heures de fonctionnement)
Solvant halogéné compatible	Oui
Poids.....	139 lb (63 kg)
Filtre de peinture intérieur	10 mailles « crépine »
Filtre de peinture extérieur	50 mailles, 18 po ²
Entrée de pompe.....	3/4 po NPT(F)
Sortie de pompe	1/2 po NPT(F) vers le filtre de peinture
Raccords du tuyau au filtre de peinture.....	1/4 po NPS(M) 3/8 po NPT(F) (raccordé)
Dimensions	37 1/4 po Longueur (94,6 cm) x 26 3/4 po Largeur (68 cm) x 35 po Hauteur (89 cm)

Pièces mouillées de la zone des liquides :

Fer conducteur revêtu de nickel autocatalytique, acier au carbone revêtu de nickel autocatalytique, surface anti-usure de chrome dur Severe Service 500™, acier inoxydable, carbure de tungstène, UVØØ, cuir imprégné de Thiokol, polyéthylène à poids moléculaire ultra lourd.

Modèle électrique

Gallons par minute (GPM)	1,25 (4,7 LPM)
Cycles par gallon.....	55 (14,5 cycles/litre)
Taille maximale des embouts	1 pistolet = .036 po 2 pistolets = .026 po 3 pistolets = .019 po
Pression maximale	3300 psi (23 MPa)
Alimentation électrique	Moteur AC 2 HP , 115 V 15,5 A, protégé contre la surcharge
Solvant halogéné compatible	Oui
Poids	148 lb (67 kg.)
Filtre de peinture intérieur	10 mailles « crépine »
Filtre de peinture extérieur	50 mailles, 18 po ²
Entrée de pompe.....	3/4 po NPT(F)
Sortie de pompe	1/2 po NPT(F) vers le filtre de peinture
Raccords du tuyau au filtre de peinture	1/4 po NPS(M) 3/8 po NPT(F) (raccordé)
Dimensions	37 1/4 po Longueur (94,6 cm) x 26 3/4 po Largeur (68 cm) x 35 po Hauteur (89 cm)

Pièces mouillées de la zone des liquides :

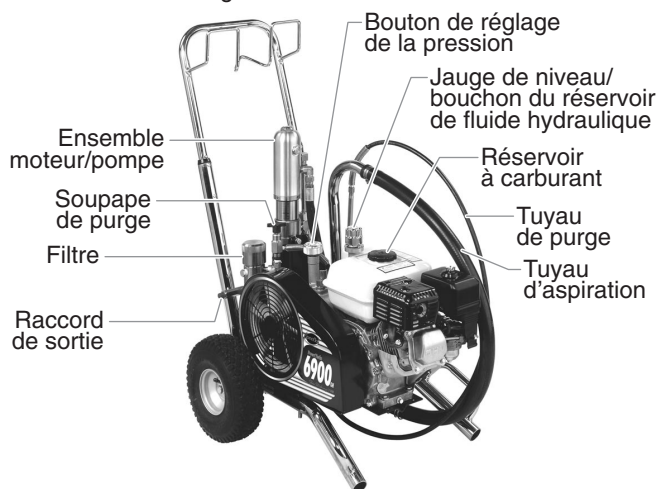
Fer conducteur revêtu de nickel autocatalytique, acier au carbone revêtu de nickel autocatalytique, surface anti-usure de chrome dur Severe Service 500™, acier inoxydable, carbure de tungstène, UVØØ, cuir imprégné de Thiokol, polyéthylène à poids moléculaire ultra lourd.

Introduction

Félicitations, vous avez choisi le meilleur pulvérisateur sans air comprimé offert au monde. Les pompes à piston Speeflo sont des travailleuses infatigables — elles sont pratiquement indestructibles, même dans les conditions d'utilisation les plus sévères. Speeflo conçoit et construit des équipements d'une qualité et d'une fiabilité supérieures. Des appareils qui durent des années avec une maintenance et des temps d'indisponibilité minimums. Cet équipement vous fera gagner de l'argent année après année. Nous vous remercions de votre achat et vous souhaitons la bienvenue dans la grande famille des utilisateurs de Speeflo qui ne cesse de grandir.

La possibilité exclusive de ce PowrTwin de fonctionner avec du carburant ou à l'électricité vous permettra de travailler à l'intérieur et à l'extérieur, dans des endroits où aucun point d'alimentation électrique n'est disponible.

Grâce à l'entraînement hydraulique, les pompes ont les courses les plus longues et les cycles les plus courts de l'industrie, ce qui se traduit par des coûts de maintenance réduits et une durée de vie plus longue. Les modèles électriques sont très silencieux, sans arrêt et démarrage de moteur.



Ce PowrTwin est équipé de la pompe de liquide Severe Service 500™ de Speeflo. Cette technologie vous permettra de travailler avec une tige plus longue que n'importe quel autre pulvérisateur construit au monde. Cette pompe à piston à bille double utilise un design fiable et à la durabilité éprouvée. Toutes les pompes sont revêtues d'une épaisse couche de chrome dur sur la tige et les pièces du cylindre. Ce revêtement est plus dur que l'acier nitrurant, l'acier inoxydable ou le chrome dur utilisé par d'autres fabricants de pompes de peinture et beaucoup plus résistant à l'abrasion. Les pièces polies permettent de réduire la friction, d'accroître la durée de vie de l'appareil et d'éviter les dommages dus à la corrosion et à l'abrasion. Plus de 100 000 de ces pompes sont actuellement en fonctionnement dans le monde.

Ce PowrTwin vous permettra d'économiser de l'argent grâce aux éléments suivants :

- Contrôle de pression antigel
- Choix de l'alimentation – carburant, électrique ou les deux
- Sièges de soupape en carbure de tungstène
- Garnitures à réglage automatique
- Clapet de pied à pivot manuel exclusif
- Filtre de peinture en ligne de grande capacité
- Compatible avec les produits à base d'eau
- Soupape de purge à pression de type « bille flottante »
- Le tuyau d'aspiration de 18,9 litres (5 gallons) et le conduit de purge sont standard

Vous avez fait un excellent choix. Nous savons que vous serez satisfait de votre nouvelle pompe PowrTwin. Merci de nouveau d'avoir choisi Speeflo. Nous apprécions de travailler avec vous.

Utilisation

Remplissage de carburant (moteur à carburant)

⚠ AVERTISSEMENT

L'essence est extrêmement inflammable et explosive dans certaines conditions.

- Éteignez TOUJOURS le moteur avant de remplir le réservoir.
- Remplissez le réservoir de carburant dans un endroit bien aéré.
- Ne fumez pas et évitez toutes flammes ou étincelles dans la zone de remplissage de carburant ou dans une zone de stockage du carburant.
- Veillez à ne pas faire déborder le réservoir de carburant. Après remplissage, assurez-vous que le bouchon du réservoir est solidement vissé.
- Faites attention à ne pas renverser de carburant lors du remplissage du réservoir. Les vapeurs ou les éclaboussures de carburant peuvent s'enflammer. En cas d'éclaboussures, assurez-vous que la zone est bien sèche avant de faire démarrer le moteur.
- Évitez l'inhalation répétée ou prolongée de brume ou de vapeur et tout contact avec la peau.
- Tenez à l'écart des enfants.

Spécifications de carburant

- Utilisez du carburant automobile avec un indice d'octane à la pompe de 86 ou plus, ou avec un indice d'octane recherché de 91 ou plus. L'utilisation d'un carburant avec un indice d'octane inférieur peut provoquer des « cliquetis » ou des « détonations » fortes (martèlement métallique) qui peuvent à leur tour endommager le moteur.

NOTA: En cas de « détonations » ou de « cliquetis » sur un moteur à vitesse faible et normalement chargé, changez de marque de carburant. Si le cliquetis ou les détonations persistent, consultez le concessionnaire agréé du fabricant du moteur. Le non-respect de cette consigne est considéré comme une utilisation incorrecte et les dommages subis en cas d'utilisation incorrecte ne sont pas couverts par la garantie limitée du fabricant du moteur. Vous pouvez à l'occasion observer de faibles détonations lorsque la pompe travaille avec des charges très importantes. Cela est normal, il signifie simplement que votre moteur fonctionne de manière efficace.

- Le carburant sans plomb produit moins de dépôts et accroît la durée de vie des pièces du circuit d'échappement.
- N'utilisez jamais de carburant altéré, contaminé ou de mélange huile/essence. Évitez l'accumulation de poussière, de saleté ou la pénétration d'eau dans le réservoir.

Essences qui contiennent de l'alcool

Si vous décidez d'utiliser une essence qui contient de l'alcool (essence-alcool), assurez-vous que l'indice d'octane est au moins aussi élevé que celui recommandé par le fabricant du moteur. Il existe deux types « d'essence-alcool » : l'un contient de l'éthanol et l'autre du méthanol. N'utilisez pas d'essence-alcool contenant plus de 10 % d'éthanol. N'utilisez jamais d'essence au méthanol (alcool méthylique ou alcool de bois) si elle ne contient pas également des cosolvants et des inhibiteurs de corrosion pour le méthanol. N'utilisez pas d'essence contenant plus de 5 % de méthanol, même en présence de cosolvants et d'inhibiteurs de corrosion.

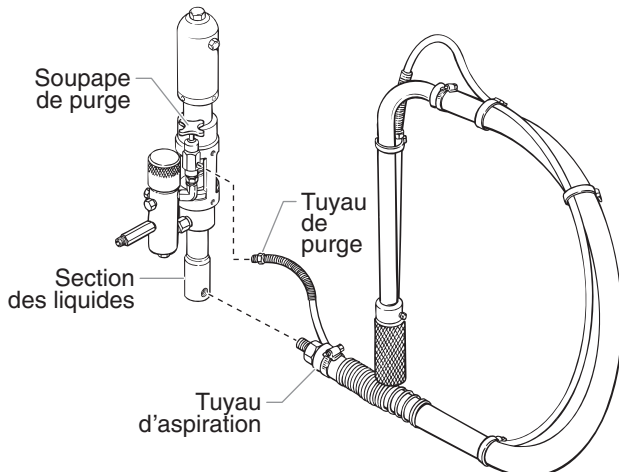
NOTA: L'endommagement du circuit d'alimentation ou des problèmes liés au rendement du moteur attribuables à l'utilisation de carburants contenant de l'alcool ne sont pas couverts par la garantie. Le fabricant du moteur ne peut être tenu responsable de l'utilisation de carburants au méthanol compte tenu que les essais de convenance sont incomplets en ce moment. Avant d'acheter de l'essence dans une station-service autre que celle que vous utilisez habituellement, renseignez-vous pour savoir si l'essence contient de l'alcool. Si tel est le cas, vérifiez le type et le pourcentage d'alcool utilisé. Si vous observez un fonctionnement anormal lorsque vous utilisez de l'essence contenant de l'alcool, ou dont vous pensez qu'elle contient de l'alcool, remplacez-la par de l'essence sans alcool.

Installation

⚠ AVERTISSEMENT

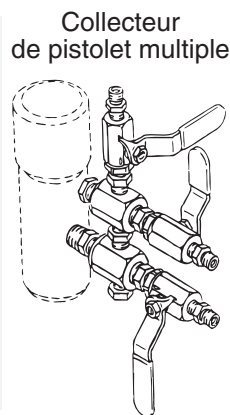
Veillez lire, comprendre et suivre toutes les consignes avant de faire démarrer ou d'utiliser le pulvérisateur.

1. Branchez le tuyau d'aspiration à la section des liquides et le tuyau de purge à la soupape de purge. Ils ont tous été équipés en usine d'un bouchon en UV \varnothing sur l'extrémité mâle des tuyaux qui doivent être serrés à l'aide d'une clé.



2. Attachez un tuyau de pulvérisation d'une longueur minimale de 1,5 mètre (50 pieds) en nylon à l'appareil. N'utilisez pas de ruban en UV \varnothing ou d'enduit d'étanchéité pour filets sur le raccord du tuyau de pulvérisation.
3. Fixez un pistolet de pulvérisation sans air au tuyau de pulvérisation. Ne fixez pas encore l'embout sur le pistolet de pulvérisation. Démontez l'embout s'il est déjà fixé.
 - a. Pour utiliser deux pistolets, enlevez le bouchon de l'orifice du second pistolet sur le filtre. Branchez un tuyau et un pistolet sur l'orifice.

NOTA: Le modèle à essence est conçu pour fonctionner avec un maximum de 4 pistolets, avec des embouts de 0,19 po et le modèle électrique avec 3 pistolets avec des embouts de 0,19 po. Pour travailler avec plusieurs pistolets, branchez un collecteur de pistolet multiple sur l'orifice de pistolet unique. Branchez un tuyau et un pistolet sur chaque orifice. Assurez-vous que l'orifice du second pistolet reste branché.



4. Remplissez le collecteur d'huile à moitié avec du lubrifiant pour piston Speeflo (no de pièce 700-925) fourni en usine. Cela permet d'accroître la durée de vie de l'équipement.
5. Vérifiez tous les jours le niveau de fluide dans le réservoir avant de mettre l'appareil en marche. Le niveau de liquide hydraulique doit se trouver au niveau de la marque « Full » de la jauge. Consultez la section de ce manuel traitant de l'entretien pour connaître les directives de maintenance du circuit hydraulique.

⚠ ATTENTION

Il est impératif d'utiliser le liquide hydraulique Coolflo™ de Speeflo dans ce circuit hydraulique. N'utilisez aucun autre liquide hydraulique. L'utilisation d'un autre liquide hydraulique peut endommager gravement le circuit hydraulique et annuler la garantie.

6. Pour les modèles à essence, vérifiez tous les jours le niveau de fluide dans le réservoir avant de mettre l'appareil en marche. Le niveau d'huile du moteur à essence est déterminé par le fabricant du moteur. Consultez le manuel d'entretien du fabricant du moteur fourni avec ce modèle.
7. Pour les modèles électriques, utilisez une prise de 20 ampères. Placez toujours le modèle électrique à une distance comprise entre 3 mètres et 4,5 mètres de la prise. Utilisez un câble électrique court et un tuyau de peinture long. Toute rallonge entraîne une chute de tension. Si une rallonge est nécessaire, n'utilisez que des rallonges trifilaire de calibre 12.

NOTA: Si vous utilisez l'appareil dans une zone surchargée par d'autres appareils ou dans des conditions de faible tension, il est important de faire démarrer l'appareil « à vide ». Faites basculer le moteur électrique vers l'avant de telle sorte que la courroie soit détendue et que le moteur démarre sans charge pleine. Cela permet de réduire la chute d'ampérage lors du démarrage et évite le déclenchement du disjoncteur.

8. Assurez-vous que l'appareil est bien relié à la terre. Tous les modèles sont équipés d'une patte de mise à la terre. Un câble de mise à la terre (non fourni) doit être utilisé pour relier l'appareil à la terre. Vérifiez les réglementations locales sur l'électricité pour en savoir plus sur la mise à la terre. Consultez le paragraphe Accessoires et nécessaires d'entretien à la fin de ce manuel pour des renseignements concernant la commande d'un câble de mise à la terre.

⚠ AVERTISSEMENT

Il est important de relier correctement l'appareil à la terre. Cela s'applique aux modèles à essence et électriques. Le passage de certains matériaux dans le tuyau en nylon produit une charge électrique statique qui peut enflammer les vapeurs de solvant lorsqu'elle est libérée et peut créer une explosion.

9. Filtrez toutes les peintures à l'aide d'un filtre en nylon pour un fonctionnement sans problème et éviter d'avoir à nettoyer fréquemment le filtre interne et le filtre du pistolet.
- 10 Assurez-vous que la zone de pulvérisation est bien ventilée pour empêcher tout fonctionnement dangereux avec des solvants volatiles ou des fumées d'échappement.

⚠ AVERTISSEMENT

Si vous devez pulvériser du vernis-laque ou d'autres matériaux inflammables, placez TOUJOURS l'appareil à l'extérieur de la zone immédiate de pulvérisation. Le non-respect de cette consigne peut provoquer une explosion.

11. Placez l'appareil hors de la zone immédiate de pulvérisation et évitez de boucher l'entrée d'air du moteur à essence ou du moteur électrique en vaporisant en excès.

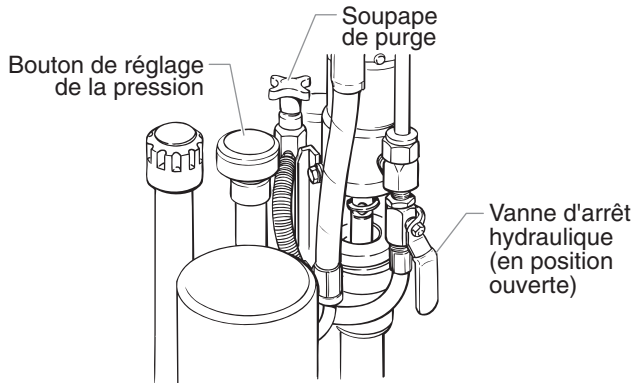
Préparation d'un nouveau pulvérisateur

S'il s'agit d'un nouvel appareil, il est livré avec du fluide d'essai dans la section des liquides pour éviter la corrosion durant le transport et le stockage. Ce fluide doit être soigneusement vidangé du circuit à l'aide d'essences minérales avant de commencer à pulvériser.



Verrouillez toujours la gâchette sur le pistolet pulvérisateur pendant que vous préparez le circuit.

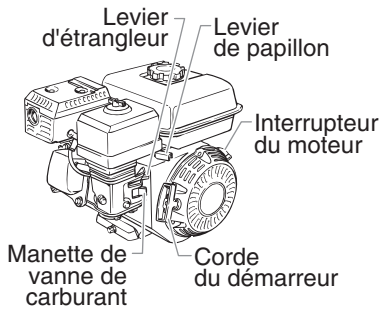
1. Placez le tuyau d'aspiration dans un contenant d'essences minérales.
2. Placez le tuyau de purge dans un contenant à déchets en métal.
3. Réglez la pression au minimum en tournant complètement le bouton de réglage de pression dans le sens inverse des aiguilles d'une montre.



4. Ouvrez la vanne d'arrêt hydraulique située sur le tuyau de pression hydraulique. La poignée doit être alignée avec le tuyau.
5. Ouvrez la soupape de purge en la faisant tourner complètement dans le sens inverse des aiguilles d'une montre.
6. Faites démarrer le moteur ou allumez le moteur électrique.

a. Pour faire démarrer le moteur à essence :

- placez la manette de vanne de carburant en position ouverte;
- placez le levier de papillon au milieu;
- placez le levier d'étrangleur en position fermée pour un moteur froid ou en position ouverte pour un moteur chaud;
- tournez la clé de contact en position ON (marche); et
- tirez sur la corde du démarreur fermement jusqu'à ce que le moteur démarre.



- b. Pour faire démarrer le moteur électrique, placez l'interrupteur MARCHE/ARRÊT(ON/OFF) en position ON (marche).
7. Faites tourner le bouton de réglage de pression dans le sens des aiguilles d'une montre d'environ un tiers de tour vers le bas pour accroître la pression jusqu'à ce que les cycles de pulvérisation soient réguliers et que le solvant s'écoule librement du tuyau de purge.
8. Laissez le pulvérisateur tourner pendant 15 à 30 secondes pour vidanger le fluide d'essai hors du tuyau de purge vers le contenant à déchets.

9. Éteignez l'appareil.

a. Pour éteindre le moteur à essence.

- réglez la pression au minimum en tournant complètement le bouton de réglage de pression dans le sens inverse des aiguilles d'une montre.
- placez le levier de papillon en position lente, et
- placez le commutateur d'allumage en position d'arrêt (OFF).

b. Pour éteindre le moteur électrique.

- réglez la pression au minimum en tournant complètement le bouton de réglage de pression dans le sens inverse des aiguilles d'une montre.
- placez l'interrupteur MARCHE/ARRÊT(ON/OFF) en position d'arrêt (OFF).

Préparation avant de peindre

Avant de peindre, il est important de s'assurer que le liquide du circuit est compatible avec la peinture qui sera utilisée.

NOTA: Les liquides et peintures incompatibles peuvent boucher les soupapes, et obliger l'utilisateur à démonter et à nettoyer la section des liquides du pulvérisateur.



Verrouillez toujours la gâchette du pistolet pulvérisateur pendant la préparation du circuit.

1. Verrouillez toujours la gâchette du pistolet pulvérisateur pendant la préparation du circuit.

NOTA: Si vous pulvérisiez du latex à base d'eau, rincez à l'eau propre et tiède. Si vous utilisez un autre produit, renseignez-vous auprès du fabricant du matériau au sujet du solvant compatible.

2. Placez le tuyau de purge dans un contenant à déchets en métal.
3. Réglez la pression au minimum en tournant complètement le bouton de réglage de pression dans le sens inverse des aiguilles d'une montre.
4. Ouvrez la vanne d'arrêt hydraulique située sur le tuyau de pression hydraulique. La poignée doit être alignée avec le tuyau.
5. Ouvrez la soupape de purge en la faisant tourner complètement dans le sens inverse des aiguilles d'une montre.
6. Faites démarrer le moteur ou allumez le moteur électrique.
 - a. Pour faire démarrer le moteur à essence.
 - placez la manette de vanne de carburant en position ouverte.
 - placez le levier de papillon au milieu.
 - placez le levier d'étrangleur en position fermée si le moteur est froid ou en position ouverte si le moteur est chaud.
 - tournez la clé de contact en position de marche (ON) et
 - tirez fermement sur la corde du démarreur jusqu'à ce que le moteur démarre.
 - b. Pour allumer le moteur électrique, placez l'interrupteur MARCHE/ARRÊT (ON/OFF) en position de marche (ON).
7. Faites tourner le bouton de réglage de pression dans le sens des aiguilles d'une montre d'environ un tiers de tour vers le bas pour accroître la pression jusqu'à ce que les cycles de pulvérisation soient réguliers et que le solvant s'écoule librement du tuyau de purge.
8. Laissez le pulvérisateur tourner pendant 15 à 30 secondes pour vidanger le fluide d'essai hors du tuyau de purge vers le contenant à déchets.

9. Éteignez l'appareil.
 - a. Pour éteindre le moteur à essence.
 - réglez la pression au minimum en tournant complètement le bouton de réglage de pression dans le sens inverse des aiguilles d'une montre.
 - placez le levier de papillon en position lente, et
 - placez le commutateur d'allumage en position d'arrêt (OFF).
 - b. Pour éteindre le moteur électrique.
 - réglez la pression au minimum en tournant complètement le bouton de réglage de pression dans le sens inverse des aiguilles d'une montre.
 - placez l'interrupteur MARCHE/ARRÊT (ON/OFF) en position d'arrêt (OFF).

NOTA: Assurez-vous qu'aucun embout ou protecteur d'embout n'est installé sur le pistolet pulvérisateur.

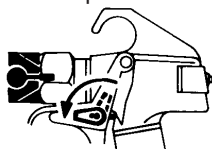
10. Fermez la soupape de purge en la faisant tourner complètement dans le sens des aiguilles d'une montre.
11. Faites démarrer le moteur ou allumez le moteur électrique.
12. Faites tourner le bouton de réglage de la pression d'environ un tiers de tour vers le bas pour accroître la pression.
13. Débloquez le pistolet en faisant passer la gâchette vers la position de déblocage.

⚠ AVERTISSEMENT

Reliez le pistolet à la terre en le maintenant contre le bord du contenant métallique lors de la vidange. Si cette précaution n'est pas respectée, une décharge d'électricité statique peut se produire et provoquer un incendie.



14. Appuyez sur la gâchette du pistolet et pulvérisez dans le contenant à déchets en métal jusqu'à ce que le vieux solvant soit vidangé et que du solvant neuf s'écoule du pistolet.
15. Bloquez le pistolet en faisant passer la gâchette en position de blocage.
16. Augmentez la pression en tournant lentement le bouton de réglage de pression dans le sens des aiguilles d'une montre.
17. Vérifiez si le système ne présente pas de fuite. En cas de fuite, suivez la « Procédure relative à l'élimination de la pression » contenue dans ce manuel avant de serrer les raccords ou les tuyaux.
18. Suivez la « Procédure relative à l'élimination de la pression » contenue dans ce manuel avant de passer du solvant à la peinture.



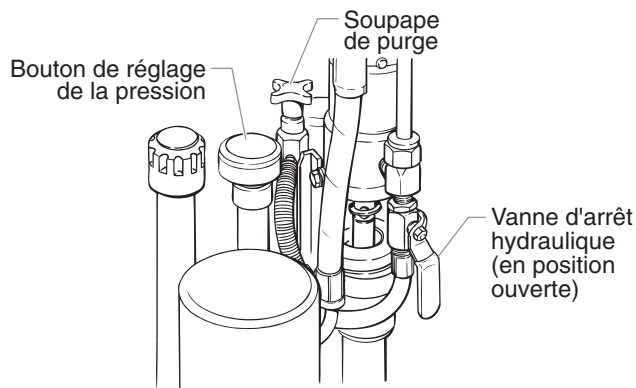
Blocage de la gâchette

⚠ AVERTISSEMENT

Assurez-vous de bien suivre la procédure relative à l'élimination de la pression lorsque vous arrêtez l'appareil pour une raison quelconque, notamment lors de l'entretien ou du réglage d'une pièce du circuit de pulvérisation, du remplacement ou du nettoyage des embouts de pulvérisation, ou lors de la préparation au nettoyage.

Peinture

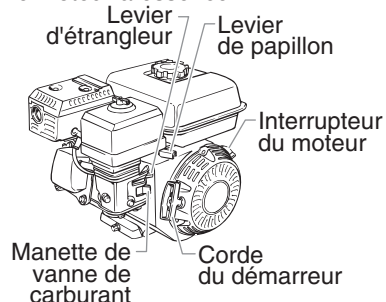
1. Placez le tuyau d'aspiration dans un contenant de peinture.
2. Placez le tuyau de purge dans un contenant à déchets en métal.
3. Réglez la pression au minimum en tournant complètement le bouton de réglage de pression dans le sens inverse des aiguilles d'une montre.



4. Ouvrez la vanne d'arrêt hydraulique située sur le tuyau de pression hydraulique. La poignée doit être alignée avec le tuyau.
5. Ouvrez la soupape de purge en la faisant tourner complètement dans le sens inverse des aiguilles d'une montre.
6. Faites démarrer le moteur ou allumez le moteur électrique.

- a. Pour faire démarrer le moteur à essence.

- placez la manette de vanne de carburant en position ouverte.
- placez le levier de papillon au milieu.
- placez le levier d'étrangleur en position fermée si le moteur est froid ou en position ouverte si le moteur est chaud.



- tournez la clé de contact en position de marche (ON) et
- tirez fermement sur la corde du démarreur jusqu'à ce que le moteur démarre.

- b. Pour allumer le moteur électrique, placez l'interrupteur MARCHE/ARRÊT (ON/OFF) en position de marche (ON).

7. Faites tourner le bouton de réglage de pression dans le sens des aiguilles d'une montre d'environ un tiers de tour vers le bas pour accroître la pression jusqu'à ce que les cycles de pulvérisation soient réguliers et que le solvant s'écoule librement du tuyau de purge.
8. Éteignez l'appareil.

- a. Pour éteindre le moteur à essence.

- réglez la pression au minimum en tournant complètement le bouton de réglage de pression dans le sens inverse des aiguilles d'une montre.
- placez le levier de papillon en position lente, et
- placez le commutateur d'allumage en position d'arrêt (OFF).

- b. Pour éteindre le moteur électrique.

- réglez la pression au minimum en tournant complètement le bouton de réglage de pression dans le sens inverse des aiguilles d'une montre.
- placez l'interrupteur MARCHE/ARRÊT (ON/OFF) en position d'arrêt (OFF).

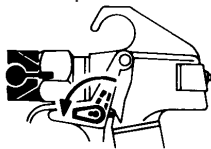
9. Démontez le tuyau de purge du contenant à déchets et placez-le dans le contenant de peinture.
10. Fermez la soupape de purge en la faisant tourner complètement dans le sens des aiguilles d'une montre.
11. Faites démarrer le moteur ou allumez le moteur électrique.
12. Faites tourner le bouton de réglage de la pression d'environ un tiers de tour vers le bas pour accroître la pression.
13. Débloquez le pistolet en faisant passer la gâchette vers la position de déblocage.

⚠️ AVERTISSEMENT

Reliez le pistolet à la terre en le maintenant contre le bord du contenant métallique lors de la vidange. Si cette précaution n'est pas respectée, une décharge d'électricité statique peut se produire et provoquer un incendie.



14. Appuyez sur la gâchette du pistolet et pulvérisez dans le contenant à déchets en métal jusqu'à ce que le vieux solvant soit vidangé et que du solvant neuf s'écoule du pistolet.
15. Bloquez le pistolet en faisant passer la gâchette en position de blocage.
16. Éteignez l'appareil.
17. Fixez la protection d'embout au pistolet comme indiqué sur la protection d'embout ou sur les manuels d'embouts.



Blocage de la gâchette

⚠️ AVERTISSEMENT

RISQUE DE BLESSURE PAR PERFORATION Ne pulvérisez pas si la protection d'embout n'est pas montée. N'actionnez jamais le pistolet si l'embout n'est pas en position de pulvérisation ou débouché. Engagez toujours le verrouillage de la gâchette du pistolet avant de démonter, de remplacer ou de nettoyer l'embout.

18. Faites démarrer le moteur ou allumez le moteur électrique.
19. Augmentez la pression en faisant tourner lentement le bouton de réglage de la pression dans le sens des aiguilles d'une montre et vérifiez la répartition de la pulvérisation sur un bout de carton. Réglez le bouton de réglage de pression jusqu'à ce que le pistolet soit complètement atomisé.

NOTA: Si vous augmentez la pression au-delà du niveau nécessaire pour atomiser la peinture, vous pouvez provoquer une usure prématurée des embouts et une surpulvérisation.

Procédure relative à l'élimination de la pression

⚠️ AVERTISSEMENT

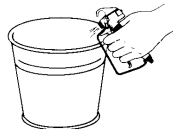
Assurez-vous de bien suivre la procédure relative à l'élimination de la pression lorsque vous arrêtez l'appareil pour une raison quelconque, notamment lors de l'entretien ou du réglage d'une pièce du circuit de pulvérisation, du remplacement ou du nettoyage des embouts de pulvérisation, ou lors de la préparation au nettoyage.

1. Bloquez le pistolet en faisant passer la gâchette en position de blocage.
2. Éteignez l'appareil.
 - a. Pour éteindre le moteur à essence.
 - réglez la pression au minimum en tournant complètement le bouton de réglage de pression dans le sens inverse des aiguilles d'une montre.
 - placez le levier de papillon en position lente, et
 - placez le commutateur d'allumage en position d'arrêt (OFF).
 - b. Pour éteindre le moteur électrique.
 - réglez la pression au minimum en tournant complètement le bouton de réglage de pression dans le sens inverse des aiguilles d'une montre.
 - placez l'interrupteur MARCHE/ARRÊT (ON/OFF) en position d'arrêt (OFF).



Blocage de la gâchette

3. Fermez la vanne d'arrêt hydraulique située sur le tuyau de pression hydraulique.
4. Débloquez le pistolet en faisant passer la gâchette vers la position de déblocage.
5. Tenez fermement la partie métallique du pistolet contre un contenant à déchets en métal pour relier le pistolet à la terre et éviter ainsi de provoquer une décharge d'électricité statique.
6. Appuyez sur la gâchette du pistolet pour éliminer toute pression qui pourrait subsister dans le tuyau.
7. Bloquez le pistolet en faisant passer la gâchette vers la position de blocage.
8. Placez le tuyau de purge dans un contenant à déchets en métal.
9. Ouvrez la soupape de purge en la faisant tourner complètement dans le sens inverse des aiguilles d'une montre.



Nettoyage

⚠️ AVERTISSEMENT

Instructions de nettoyage particulières à utiliser avec les solvants inflammables :

- Il est préférable de rincer le pistolet à l'extérieur et de se trouver à une longueur de tuyau de la pompe de pulvérisation.
- Si vous récupérez les solvants vidangés dans un contenant métallique d'un gallon, placez-le dans un contenant de cinq gallons vide, puis vidangez les solvants.
- La zone de travail doit être exempte de vapeurs inflammables.
- Suivez attentivement toutes les consignes de nettoyage.

⚠️ ATTENTION

Le pulvérisateur, le tuyau et le pistolet doivent être nettoyés soigneusement après une utilisation quotidienne. Le non-respect de ces consignes peut entraîner une surpulvérisation du produit et affecter sérieusement la performance de l'appareil.

⚠️ AVERTISSEMENT

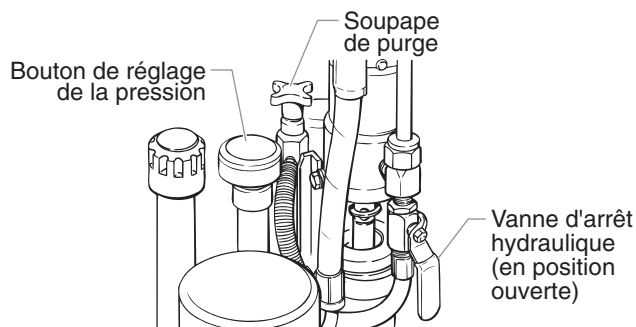
Pulvérisez toujours à la pression minimale avec l'embout du pistolet démonté lorsque vous utilisez des essences minérales ou tout autre solvant pour nettoyer le pulvérisateur, le tuyau ou le pistolet. L'accumulation d'électricité statique peut causer un incendie ou une explosion en présence de vapeurs inflammables.

1. Suivez la « Procédure relative à l'élimination de produit » décrite dans la section de ce manuel traitant du fonctionnement.
2. Démontez l'embout du pistolet et la protection d'embout puis nettoyez à l'aide d'une brosse et d'un solvant approprié.
3. Placez le tuyau d'aspiration dans un contenant de solvant approprié.

⚠️ ATTENTION

Utilisez des solvants compatibles lors du nettoyage de peintures-émaux à base d'huile, de vernis-laques, de peinture à base de goudron de houille et aux résines époxydes. Vérifiez auprès du fabricant du liquide pour connaître le solvant recommandé pour ce liquide.

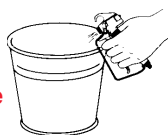
4. Placez le tuyau de purge dans un contenant à déchets en métal.
5. Réglez la pression au minimum en tournant complètement le bouton de réglage de pression dans le sens inverse des aiguilles d'une montre.



6. Ouvrez la vanne d'arrêt hydraulique située sur le tuyau de pression hydraulique. La poignée doit être alignée avec le tuyau.
7. Ouvrez la soupape de purge en faisant tourner complètement dans le sens inverse des aiguilles d'une montre.
8. Faites démarrer le moteur ou allumez le moteur électrique.
9. Laissez le solvant circuler dans l'appareil et vidangez la peinture par le tuyau de purge dans le contenant à déchets en métal.
10. Éteignez l'appareil.
11. Fermez la soupape de purge en faisant tourner complètement dans le sens des aiguilles d'une montre.
12. Faites démarrer le moteur ou allumez le moteur électrique.

⚠ AVERTISSEMENT

Mettez le pistolet à la terre en le maintenant contre le bord du contenant métallique lors de la vidange. Si cette précaution n'est pas respectée, une décharge d'électricité statique peut se produire et provoquer un incendie.



13. Appuyez sur la gâchette du pistolet et pulvérisez dans le contenant à déchets en métal jusqu'à ce que le vieux solvant soit vidangé et que du solvant neuf s'écoule du pistolet.
14. Continuez à actionner le pistolet dans le contenant à déchets en métal jusqu'à ce que le solvant qui s'écoule du pistolet soit propre.

NOTA: Pour un entreposage prolongé ou dans des conditions climatiques froides, pompez de l'essence minérale dans tout le circuit.

15. Suivez la « Procédure relative à l'élimination de produit » décrite dans la section de ce manuel traitant du fonctionnement.
16. Entreposez l'appareil dans un endroit sec.

⚠ ATTENTION

N'entreposez pas l'appareil s'il est sous pression.

Nettoyage d'un embout bloqué

1. Suivez la « Procédure relative à l'élimination de produit » décrite dans la section de ce manuel traitant du fonctionnement.
2. Si l'embout se bouche, faites tourner la poignée de l'embout de 180 degrés jusqu'à ce qu'elle soit placée dans le sens contraire à la pulvérisation et qu'elle s'enclenche dans la position contraire.
3. Actionnez le pistolet une fois de telle sorte que la pression puisse débloquent l'embout. N'utilisez JAMAIS l'embout dans la position inversée pendant plus d'UNE pression de détente à la fois. Cette opération peut être répétée jusqu'à ce que l'embout soit débloquent.

⚠ AVERTISSEMENT

Le jet qui sort de l'embout de pulvérisation est un jet à très haute pression. Évitez tout contact avec une partie du corps. Ne placez pas votre doigt sur le trou du pistolet. Ne dirigez jamais le pistolet vers une personne. Ne faites jamais fonctionner le pistolet de pulvérisation sans la protection d'embout appropriée.

Maintenance

⚠ AVERTISSEMENT

Avant de poursuivre suivez la « Procédure relative à l'élimination de pression » décrite précédemment dans ce manuel. Suivez ensuite tous les autres avertissements pour réduire le risque de blessures causées par les pièces mobiles ou les chocs électriques. Débranchez toujours le pulvérisateur avant l'entretien!

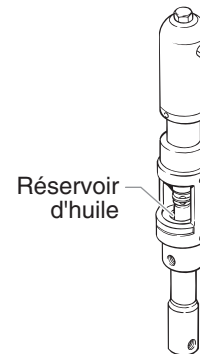
Maintenance quotidienne

La maintenance de routine de cet appareil s'effectue en deux étapes, sur une base quotidienne.

1. Lubrification des garnitures supérieures.
2. Nettoyez le collecteur de roches.

Lubrification des garnitures supérieures

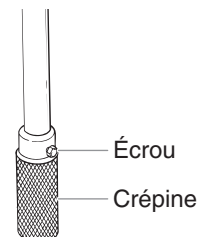
1. Nettoyez la peinture qui a coulé derrière les garnitures supérieures dans le réservoir d'huile au-dessus de la section des liquides.
2. Remplissez le collecteur d'huile à moitié avec du lubrifiant pour piston (no de pièce 700-925) fourni par l'usine. Cela permet d'accroître la durée de vie de l'équipement.



NOTA: Ne remplissez pas trop le réservoir pour éviter que l'huile ne déborde et ne s'écoule dans la peinture.

Nettoyage de la crépine

1. La crépine se bouche et doit être nettoyée au moins une fois par jour.
2. Dévissez l'écrou fixant la crépine au tube d'aspiration.
3. Démontez la crépine au bas du tube d'aspiration.
4. Nettoyez-la soigneusement à l'aide d'un solvant approprié.



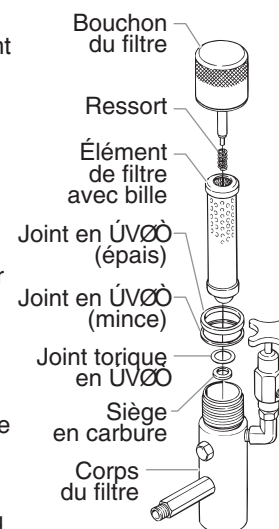
Maintenance du filtre

Nettoyez régulièrement le filtre. Des filtres sales ou bloqués peuvent considérablement réduire la capacité de filtrage et entraîner un grand nombre de problèmes, notamment une mauvaise répartition de la pulvérisation, une obstruction des embouts de pulvérisation, etc.

Nettoyage

Procédez comme suit pour nettoyer le filtre.

1. Suivez la « Procédure relative à l'élimination de produit » décrite dans la section de ce manuel traitant du fonctionnement.
2. Enlevez le bouchon du filtre et le ressort.
3. Tirez le filtre et la bille hors du corps du filtre.
4. Nettoyez l'intérieur du corps du filtre, le filtre avec la bille et le bouchon à l'aide d'un solvant approprié.



NOTA: Manipulez les pièces avec soin, car la saleté, les débris, les égratignures ou les rainures peuvent empêcher les joints toriques ou les joints d'étanchéité de bien sceller les parois.

Cet élément de filtre épure de l'intérieur vers l'extérieur. Assurez-vous d'avoir soigneusement nettoyé l'intérieur du filtre. Trempez-le dans du solvant pour détacher la peinture séchée ou remplacez-le.

Inspection

Inspectez toutes les pièces du filtre avant de le remonter.

1. Inspectez la bille à l'intérieur du filtre. Si la bille présente des coupures ou des rayures dues à la pression, remplacez le filtre.
 - a. Si la bille est endommagée, démontez le joint torique en ÚVØØ à l'aide d'un extracteur de joint torique et démontez le siège de soupape en carbure.
 - b. Recherchez la présence de fissures ou de rayures. S'il est endommagé, remplacez-le.

NOTA: Tout joint torique en DH: 9 subi des dommages lors de sa dépose, il est donc nécessaire de le remplacer.

2. Démontez le ressort du guide du ressort qui se trouve sur le bouchon du filtre.
 - a. Mesurez la longueur du ressort non comprimé. S'il mesure moins de 19 mm (3/4 po) d'une extrémité à l'autre, remplacez-le.
 - b. Remettez le ressort en place sur son guide jusqu'à ce qu'il soit bloqué.
3. Vérifiez les deux joints en ÚVØØ et le joint torique en ÚVØØ pour vous assurer qu'ils ne sont pas déformés, rayés, ni fissurés. Remplacez-les au besoin.

NOTA: Les joints en DH: 9, le joint torique en DH: 9 et le ressort sont compris dans le nécessaire d'entretien du filtre, no de pièce 930-050.

Remontage

Remontez le filtre après avoir nettoyé et vérifié toutes les pièces.

1. Placez le siège de soupape en carbure dans le corps du filtre. Assurez-vous que la face conique du siège est bien placée vers le haut.
2. Placez le joint torique en ÚVØØ dans la gorge du diamètre extérieur du siège de soupape en carbure.
3. Tirez le filtre et la bille dans le corps du filtre.

NOTA: La partie supérieure et inférieure d'un élément de filtre à bille sont identiques.

qu'il soit bloqué, si ce n'est déjà fait.

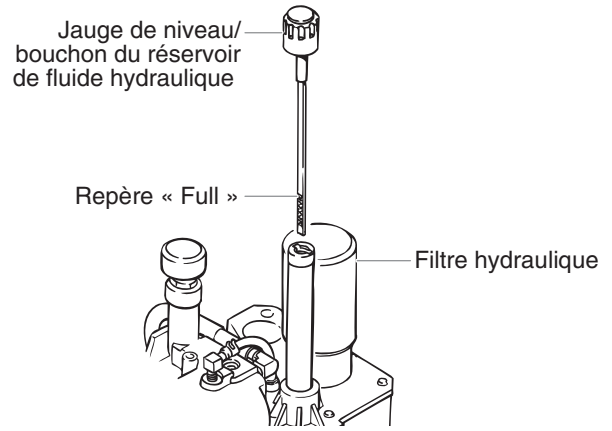
5. Placez le joint en ÚVØØ mince sur le palier de la partie supérieure du corps du filtre.
6. Placez le joint en ÚVØØ épais sur le joint mince.
7. Vissez le bouchon sur le corps du filtre.

Maintenance du circuit hydraulique

ATTENTION

Il est obligatoire d'utiliser le liquide hydraulique Coolflo™ de Speeflo dans le circuit hydraulique de PowrTwin. N'utilisez aucun autre liquide hydraulique. L'utilisation d'un autre liquide hydraulique peut sévèrement endommager le circuit hydraulique et annuler la garantie.

1. Vérifiez quotidiennement le liquide hydraulique. Il doit être au niveau du repère « Full » de la jauge. S'il est trop bas, ajoutez du liquide hydraulique Coolflo™ de Speeflo (no de pièce 430-361). Faites l'appoint ou le remplacement du liquide hydraulique. Travaillez dans un endroit propre et exempt de poussière. La contamination du liquide hydraulique peut réduire la durée de vie de la pompe et annuler la garantie.



2. Remplacez le liquide hydraulique à tous les 12 mois. Vidangez le liquide usé du réservoir et remplissez-le avec 4,7 litres (5 pintes) de liquide hydraulique Coolflo™ de Speeflo. Faites démarrer l'appareil avec juste assez de pression pour faire fonctionner la section des liquides. Faites tourner l'appareil à basse pression pendant au moins 5 minutes. Cette opération permettra de purger l'air du circuit. Vérifiez le niveau du liquide après cette opération.
3. Le circuit hydraulique est équipé d'un filtre hydraulique externe et amovible. Remplacez le filtre à tous les 12 mois.
4. La pompe hydraulique ne doit pas être entretenue sur place. Si elle doit être entretenue, veuillez la retourner à Speeflo.

Maintenance de la section des liquides

Si le pulvérisateur doit être entreposé pendant une période de temps prolongée, il est conseillé de le nettoyer et de protéger le circuit en utilisant une d'huile et de kérosène. Les garnitures peuvent sécher si elles ne sont pas utilisées. Cette recommandation touche particulièrement la garniture supérieure qui doit être graissée à l'aide de lubrifiant pour piston (no de pièce 700-925) lors d'une utilisation normale.

Si le pulvérisateur n'a pas été utilisé pendant longtemps, il peut être nécessaire d'amorcer l'aspiration en versant du solvant pour peinture dans le tube d'aspiration pour le faire redémarrer. Il est extrêmement important que les filetages du raccord du tube d'aspiration soient bien hermétiques. Toute fuite pourrait nuire au bon fonctionnement du pulvérisateur et endommager le système. Les courses ascendantes et descendantes doivent être approximativement égales en durée (l'une ne doit pas être plus rapide que l'autre). Une course ascendante ou descendante rapide indique la présence d'air dans le circuit ou une défectuosité attribuable à la soupape ou aux sièges de soupape (voir la section intitulée Dépannage).

Maintenance de base du moteur (moteur à essence)

- Pour plus de détails concernant la maintenance du moteur et les spécifications techniques, veuillez consulter le manuel du moteur à essence.
- Tout entretien ou toute réparation du moteur doivent être réalisés par un concessionnaire Honda Power Equipement agréé. Pour trouver un concessionnaire dans votre région, consultez les sections Moteurs à essence, Equipements et fournitures pour jardins et pelouses, Tondeuses à gazon, etc. des Pages jaunes
- Le moteur Honda est garanti exclusivement par American Honda Motor Co., Inc.
- Utilisez une huile à moteur certifiée de qualité supérieure qui satisfait les normes SG ou SF de l'industrie automobile américaine. L'huile SAE 10W30 est recommandée pour une utilisation générale à n'importe quelle température. Des huiles comportant des viscosités différentes peuvent devoir être utilisées sous d'autres climats.
- N'utilisez qu'une bougie (NGK) BP6ES ou BPR6E. Vissez la bougie à 0,7 à 0,8 mm (0,028 à 0,031 po). Utilisez toujours une clé à bougie.

Tous les jours

1. Vérifiez le niveau d'huile moteur, et faites-en l'appoint au besoin.
2. Vérifiez le niveau d'essence, et faites-en l'appoint au besoin.

⚠ AVERTISSEMENT

Suivez toujours la procédure d'appoint de carburant mentionnée précédemment dans ce manuel.

Après les 20 premières heures d'utilisation

1. Remplacez l'huile moteur.

À toutes les 100 heures d'utilisation

1. Remplacez l'huile moteur.
2. Nettoyez le décanteur.
3. Nettoyez et remontez les bougies.
4. Nettoyez le pare-étincelles.

À toutes les semaines

1. Démontez le couvercle du filtre et nettoyez l'élément de filtre. Dans des environnements très poussiéreux, nettoyez le filtre tous les jours. Remplacez les pièces au besoin. Vous pouvez vous procurer les pièces de rechange auprès de votre concessionnaire Honda.

Fonctionnement du moteur et entretien

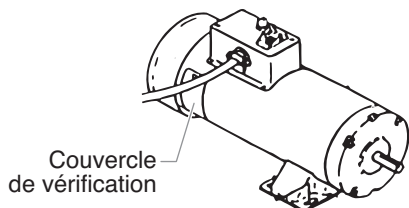
1. Nettoyez et lubrifiez le filtre à air des moteurs à essence toutes les 25 heures ou une fois par semaine. Ne laissez pas le filtre d'admission d'air autour du volant-moteur à essence se remplir de peinture ou de déchets. Nettoyez-le régulièrement. La durée de vie utile et l'efficacité du moteur à essence dépend des conditions d'entretien du moteur. Changez l'huile du moteur à toutes les 100 heures. Le non-respect de cette directive peut entraîner une surchauffe du moteur. Consultez le manuel d'entretien du fabricant du moteur fourni.
2. Pour conserver l'efficacité et la longévité de l'appareil, faites toujours fonctionner le moteur à essence au régime le plus bas auquel il peut travailler sans forcer et délivrer la quantité de peinture nécessaire pour l'application. Un régime plus élevé ne produit pas une pression de travail plus importante. Le moteur à essence est relié à la pompe hydraulique par un ensemble de poulies conçue pour pomper 4,5 litres (1,2 gallon) de peinture par minute à plein régime.
3. La garantie des moteurs à essence ou des moteurs électriques est limitée au fabricant d'origine.

Remplacement des balais du moteur (moteur électrique)

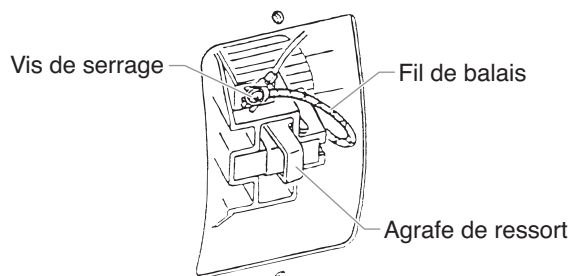
Réalisez cette opération à l'aide du nécessaire pour balais de moteur no de pièce 978-050. Le nécessaire comporte deux balais, deux ressorts et deux agrafes.

NOTA: Les balais doivent être remplacés lorsqu'ils sont usés de moins de 12,7 mm (1/2 po). Vérifiez et remplacez les deux balais en même temps.

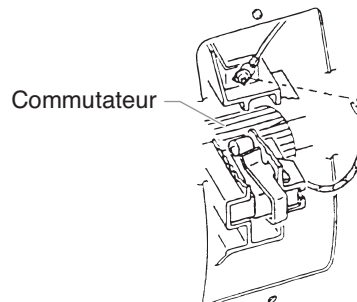
1. Enlevez les deux couvercles de vérification du moteur.



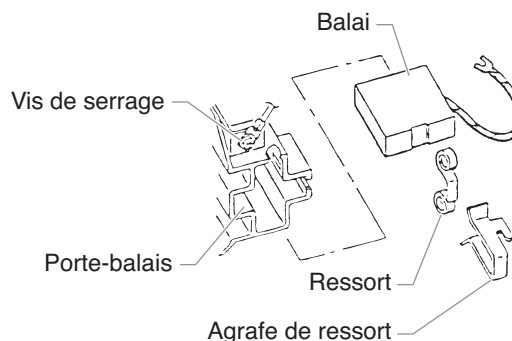
2. Enfoncez l'agrafe à ressort pour le décrocher, puis dégagez-la.



3. Dévissez la vis de serrage. Tirez le fil du balai, mais laissez le fil du moteur en place. Retirez le balai et le ressort.
4. Assurez-vous que le commutateur ne porte pas de traces de brûlure, de piqûres ou de déformations. Il est normal que le commutateur soit noirci.



5. Installez le nouveau balai de telle sorte que son fil glisse dans la longue fente du porte-balais. Poussez la vis de serrage sous la rondelle. Assurez-vous que le fil du moteur est toujours relié à la vis. Serrez la vis.



6. Placez le ressort sur le balai tel indiqué ci-dessus. Poussez l'agrafe et fixez-la. Procédez de la même manière pour l'autre côté.
7. Remplacez les deux couvercles de vérification.

⚠ AVERTISSEMENT

Si le moteur électrique fournit un effort excessif et arrête de tourner, éteignez-le IMMÉDIATEMENT et suivez la procédure relative à l'élimination de la pression expliquée dans la section du présent manuel traitant du nettoyage. Attendez que le moteur ait refroidi (environ 30 minutes). Enfoncez ensuite la bulle supérieure, le bouton de réinitialisation manuel, allumez le moteur et mettez le circuit sous pression.

Pour les modèles approuvés par la CSA : L'interrupteur MARCHE/ARRÊT (ON/OFF) sert de bouton de RÉINITIALISATION.

Dépannage

Pistolet sans air comprimé

Problème

Projections erratiques de liquide par le pistolet

Cause

1. Air dans le circuit
2. Pistolet sale
3. Aiguille mal réglée
4. Siège de soupape endommagé ou fêlé

Solution

1. Inspectez les raccords pour détecter une éventuelle fuite.
2. Démontez et nettoyez
3. Vérifiez et réglez.
4. Vérifiez et remplacez.

Le pistolet ne s'arrête pas

1. Siège et aiguille usés ou endommagés
2. Aiguille mal réglée
3. Pistolet sale

1. Remplacez.
2. Réglez.
3. Nettoyez.

Le pistolet ne pulvérise pas

1. Pas de peinture
2. Filtre ou embout bloqué
3. Aiguille endommagée dans le pistolet

1. Vérifiez l'alimentation en liquide.
2. Nettoyez.
3. Remplacez.

Section des liquides

Problème

La pompe ne libère du produit que dans la course ascendante ou monte lentement et descend rapidement (plongée).

Cause

1. La bille du clapet de pied inférieur n'est pas stable en raison de dépôts de déchets ou de l'usure.
2. Produit trop visqueux pour être aspiré.
3. Fuite d'air du côté du siphon ou tube d'aspiration endommagé. Le siphon peut être trop petit pour des produits denses.

Solution

1. Retirez le clapet de pied. Nettoyez et vérifiez. Vérifiez le clapet de pied en le remplissant d'eau; si la bille tombe pour sceller le siège, remplacez la bille.
2. Dilution du produit – contactez le fabricant pour obtenir les procédures de dilution adéquates.
3. Serrez tous les raccords entre la pompe et le contenant de peinture. Remplacez les pièces si elles sont endommagées. Utilisez un siphon d'un diamètre plus large.

La pompe ne libère du produit que dans la course descendante ou monte rapidement et descend lentement.

1. La bille supérieure n'est pas stable en raison des dépôts de déchets ou de l'usure.
2. La garniture inférieure est usée.

1. Vérifiez le siège supérieur et la bille avec de l'eau. Si la bille ne scelle pas l'ensemble, remplacez le siège.
2. Remplacez la garniture au besoin.

La pompe monte et descend rapidement, en libérant du produit.

1. Le réservoir de produit est vide ou le produit est trop épais pour s'écouler dans le tuyau d'aspiration.

1. Remplissez de nouveau avec d'autre liquide. S'il est trop épais, enlevez le tuyau d'aspiration, immergez la section des liquides dans le produit concerné et amorcez la pompe. Ajoutez du diluant dans le produit. Utilisez un siphon plus grand. Ouvrez la soupape de purge pour retirer l'air et remettez la pompe en marche.
2. Enlevez le clapet de pied. Nettoyez la bille et le siège.
3. Redressez.

La pompe monte et descend lentement lorsque le pistolet de pulvérisation est éteint.

1. Connexions dévissées. La soupape de purge est partiellement ouverte ou usée. La garniture inférieure est usée.

1. Vérifiez tous les raccords entre la pompe et le pistolet. Serrez au besoin. Si du produit à pulvériser s'écoule du tuyau de purge, fermez la soupape de purge ou remplacez-la au besoin. Si aucune des solutions indiquées ci-dessus ne fonctionne, remplacez la garniture inférieure.
2. Nettoyez les billes.

Pression de liquide insuffisante dans le pistolet.

1. L'embout de pulvérisation est usé.
2. Le filtre de sortie ou le filtre du pistolet est bloqué.
3. Tension faible et/ou intensité de courant électrique inadéquate.
4. Taille ou longueur du tuyau trop petite ou trop grande.

1. Remplacez.
2. Nettoyez ou remplacez le filtre.
3. Vérifiez le circuit électrique. Réparez au besoin.
4. Augmentez la taille du tuyau pour réduire la chute de pression dans le tuyau et/ou réduire la longueur du tuyau.

La pompe broute pendant la course ascendante ou descendante.

1. Le solvant a fait gonfler la garniture supérieure.

1. Remplacez la garniture.

Dépannage

Moteur hydraulique

Problème

Le moteur hydraulique cale en bas (pas de problèmes de surchauffe)

Cause

1. Le siège du piston de la pompe à liquide n'est pas fileté.
2. La soupape est grippée ou la tige du moteur hydraulique est défectueuse.

Solution

1. Si la bielle est en bon état, démontez la bougie de la tête du cylindre et retirez la soupape en tirant vers le bas. Remplacez la bougie et faites démarrer l'appareil. Si l'appareil effectue un cycle ascendant et s'arrête de nouveau en bas, le problème provient du siège du piston sur la pompe à liquide. Vérifiez le siège du piston. Réparez ou remplacez au besoin. Si le siège du piston est en bon état et que le problème persiste, vérifiez le moteur hydraulique.
2. Démontez la soupape et assurez-vous qu'elle ne comporte pas de fissures et qu'elle ne fonctionne pas par à-coups lorsqu'elle glisse vers le haut et vers le bas. En pareil cas, remplacez le tiroir et la soupape. En pareil cas, vérifiez le tiroir et la tige de déclenchement pour vous assurer qu'ils ne sont pas disjoints. Assurez-vous que la tige de déclenchement n'est pas disjointe.

Le moteur hydraulique cale en haut (pas de problèmes de surchauffe)

1. Soupape grippée
2. Support de ressort endommagé (tige de soupape)
3. Endommagement du ressort ou de la tige de soupape
4. Présence d'air dans le circuit hydraulique.
5. Air dans la pompe à liquide

1. Démontez la soupape et assurez-vous qu'elle ne comporte pas de fissures et qu'elle ne fonctionne pas par à-coups lorsqu'elle glisse vers le haut et vers le bas. En pareil cas, remplacez le tiroir et la soupape.
2. Remplacez la tige de soupape.
3. Remplacez la tige de soupape.
4. Réamorcer la soupape. Purgez l'air en exécutant un cycle à basse pression du moteur et de la pompe pendant 5 à 10 minutes. Vérifiez les causes d'entrée d'air:
 - Raccords desserrés sur le réservoir.
 - Raccords desserrés sur la pompe hydraulique.
 - Raccords de tuyaux desserrés.
 - Insuffisance d'huile dans le réservoir.
5. Le moteur peut caler en haut lorsque la pompe aspire de l'air. Réinitialisez la soupape. Évitez que de l'air ne s'infilte dans la pompe à liquide.

Pression faible (adéquante sur course descendante, lente sur course ascendante – chaleur élevée)

NOTA: Le moteur peine en course ascendante, ralentit et cale en course descendante.

1. Joint d'étanchéité de piston endommagé
2. Piston fissuré

1. Avant de démonter le moteur hydraulique, faites démarrer l'appareil. Effectuez un cycle de pompage sous pression, touchez le cylindre hydraulique et la tête du cylindre pour déterminer s'ils se réchauffent. Cela vous aidera à déterminer si le joint du piston a fondu ou si l'écrou du piston est endommagé. Si la tête est chaude, vérifiez les joints toriques de la soupape à tiroir.
2. Démontez le moteur hydraulique et vérifiez l'alésage du cylindre, les joints du piston et l'écrou du piston. Portez une attention particulière à l'écrou du piston. Il peut présenter une fissure interne sans que rien ni paraisse.

Pression faible (les deux courses – chaleur élevée)

NOTA Le moteur peine et cale sur les deux courses.

1. Joints toriques de centrages fondus sur la soupape à tiroir
2. Pompe hydraulique défectueuse

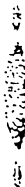
1. Avant de démonter le moteur hydraulique, faites démarrer l'appareil. Effectuez un cycle de pompage sous pression, touchez le cylindre hydraulique et la tête du cylindre pour déterminer s'ils se réchauffent plus chauds. Cela permettra de déterminer si le joint torique du centre a fondu sur la soupape à tiroir. S'il est chaud, démontez et remplacez le joint torique.
2. Remplacez la pompe hydraulique.

Dépannage

Répartition de la pulvérisation

Problème

Gouttes, trace irrégulière



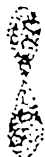
Cause

1. Sortie de liquide incorrecte

Solution

1. Le liquide ne s'atomise pas correctement :
Augmentez la pression du liquide
Remplacez par un embout plus petit
Réduisez la viscosité du liquide. Réduisez la longueur du tuyau. Nettoyez le pistolet et le(s) filtre(s). Réduisez le nombre de pistolets qui utilisent la pompe.

Sablier



1. Sortie de liquide incorrecte

1. Tel que décrit ci-dessus.

Tordu



1. Filtre ou embout bloqué

1. Nettoyez ou remplacez l'embout.

Forme qui s'étend et se rétracte



1. Fuite d'aspiration
2. Sortie de liquide intermittente

1. Inspectez le tuyau d'aspiration pour détecter une éventuelle fuite.
2. Remplacez par un embout plus petit. Installez un amortisseur de pulsations dans le circuit ou purgez l'appareil. Réduisez le nombre de pistolets qui utilisent la pompe. Débloquez le circuit; nettoyez le filtre de l'embout si le filtre est utilisé.

Forme arrondie



1. Embout usé
2. Liquide trop dense pour l'embout

1. Remplacez l'embout.
2. Augmentez la pression Diluez le produit. Remplacez l'embout.

Brevets

Ces produits sont protégés par un ou plusieurs des brevets (U.S.A.) suivants :

5,947,381

5,749,528

5,660,332

5,425,506

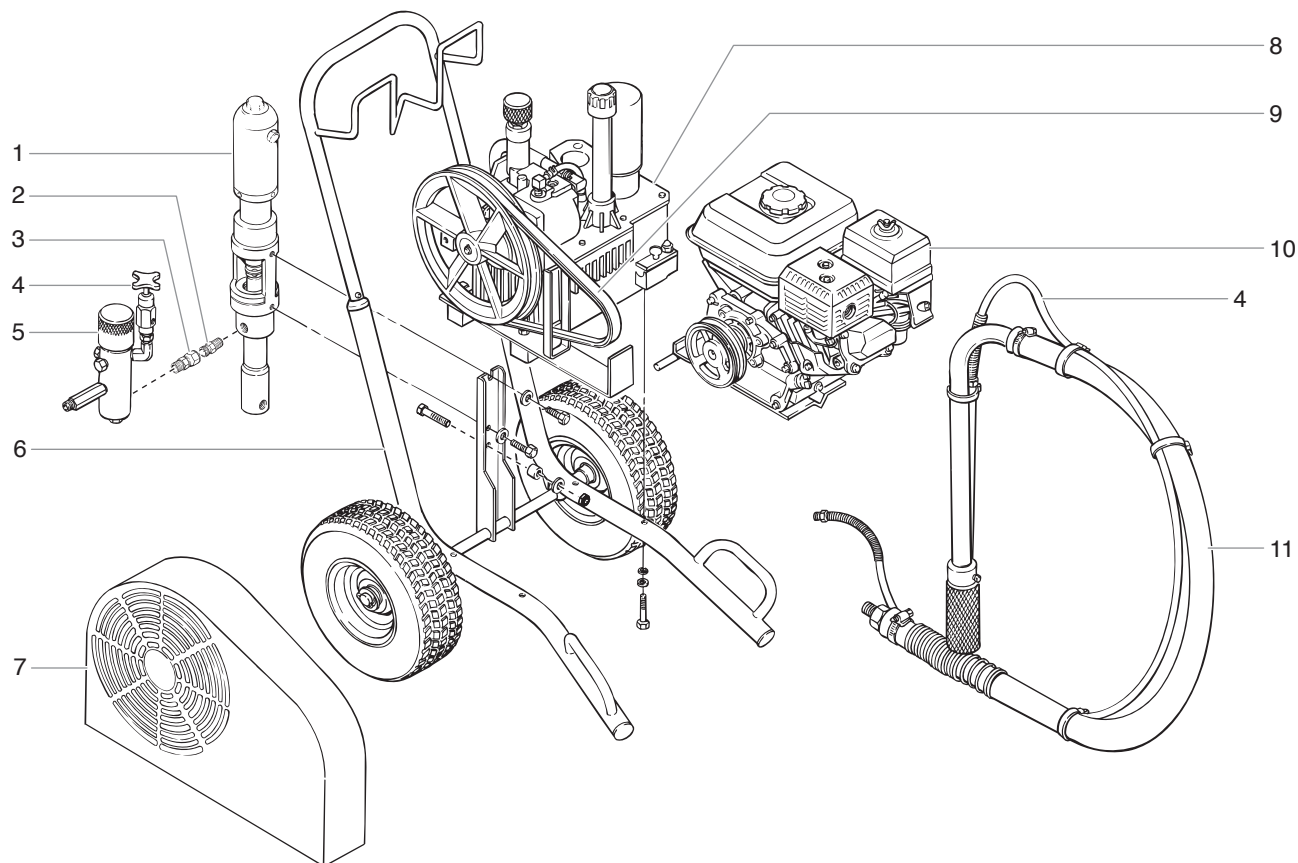
4,611,758

4,508,268

Les fiches signalétiques sont disponibles sur le site Web de Titan ou en téléphonant au service à la clientèle.

Listes des pièces et consignes d'entretien

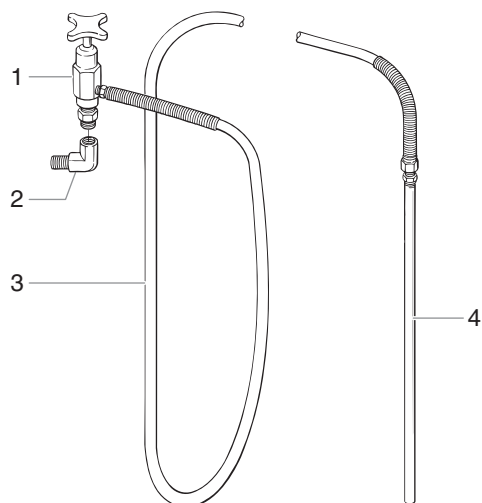
Montage principal



Article	N° de pièce	Description	Quantité
1	235-143	Ensemble moteur/pompe.....	1
2	228-002	Adaptateur	1
3	200-555	Adaptateur de raccord orientable	1
4	840-211	Tuyau de purge avec soupape	1
5	930-515	Filtre	1
6	335-020	Chariot	1
7	449-925	Carter de protection de la courroie.....	1

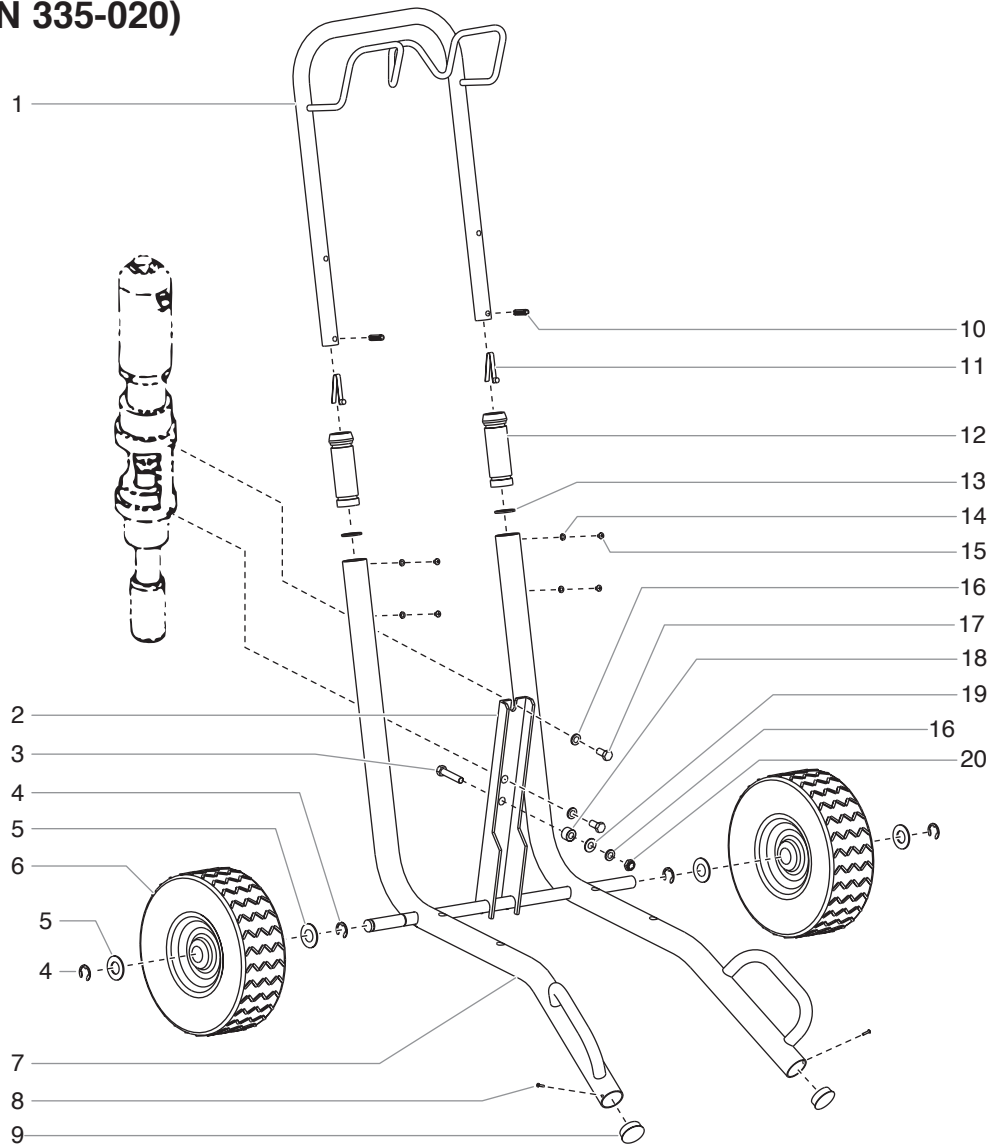
Article	N° de pièce	Description	Quantité
8	-----	Circuit hydraulique	1
9	449-181	Courroie en « V »	1
10	506-275	Convertokit, 6,5 HP, Honda, essence (modèle à essence)	1
11	103-826	Tuyau d'aspiration, 1 po x 4,5 pi	1
12	506-211	Convertokit, C.C. électrique, 115V (modèle électrique, non illustré)	1

Tuyau de purge avec soupape (P/N 840-211)



Article	N° de pièce	Description	Quantité
1	944-028	Soupape de purge	1
2	818-014	Coude 90°	1
3	539-078	Tuyau	1
4	103-117	Tube	1
5	103-111	Tuyau de purge (comprend les éléments 3 et 4).....	1

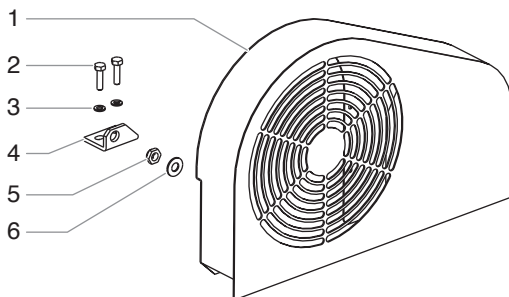
Chariot (P/N 335-020)



Article	N° de pièce	Description	Quantité
1	590-502	Poignée.....	1
2	449-055	Support du moteur/pompe.....	1
3	862-460	Vis.....	1
4	590-100	Bague de retenue.....	4
5	870-009	Rondelle.....	4
6	335-561	Roue.....	2
7	335-021	Châssis.....	1
8	854-020	Vis.....	2
9	335-018	Bouchon.....	2
10	590-508	Goupille cylindrique.....	2

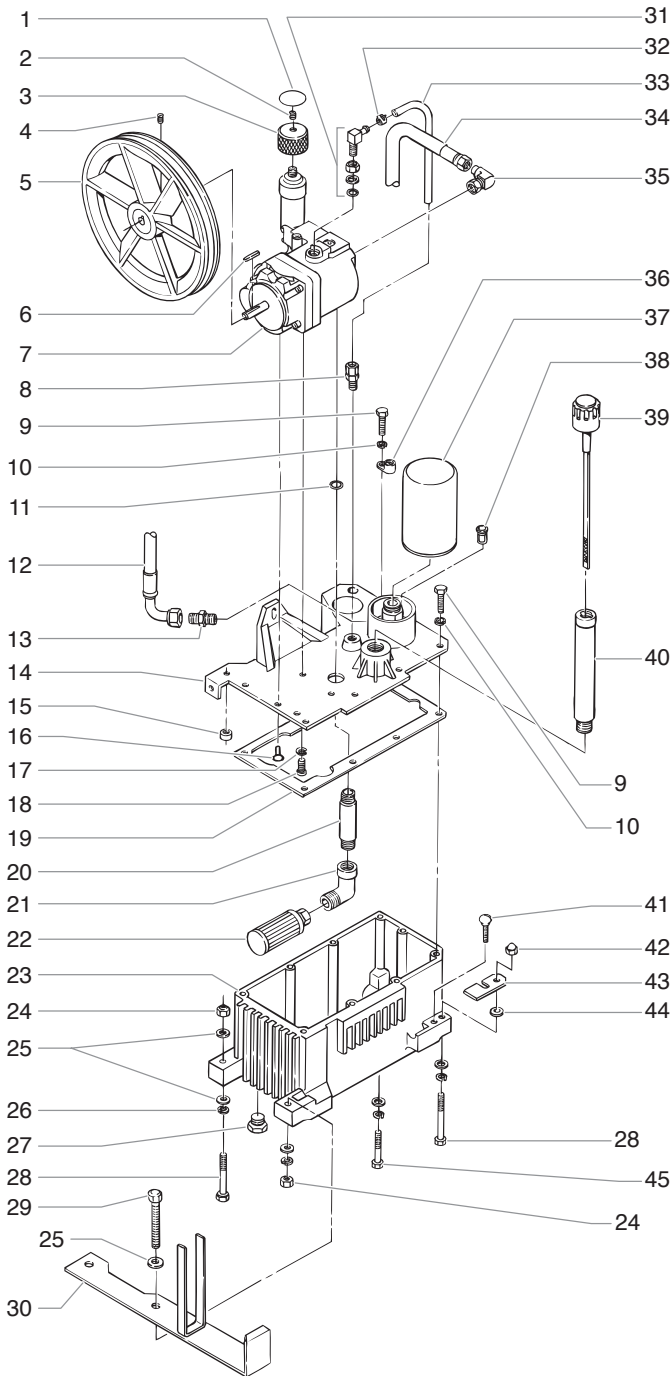
Article	N° de pièce	Description	Quantité
11	590-507	Circlip.....	2
12	590-504	Manchon.....	2
13	590-506	Rondelle.....	2
14	856-002	Rondelle.....	4
15	856-921	Vis.....	4
16	862-002	Rondelle d'arrêt.....	3
17	862-428	Vis.....	2
18	449-052	Entretoise.....	1
19	862-001	Rondelle plate.....	1
20	862-411	Écrou.....	1

Carter de protection de la courroie (P/N 449-925)



Article	N° de pièce	Description	Quantité
1	-----	Carter de protection de la courroie.....	1
2	858-636	Vis.....	2
3	858-002	Rondelle de butée.....	2
4	449-187	Clip.....	1
5	862-411	Écrou.....	1
6	862-001	Rondelle.....	1

Circuit hydraulique

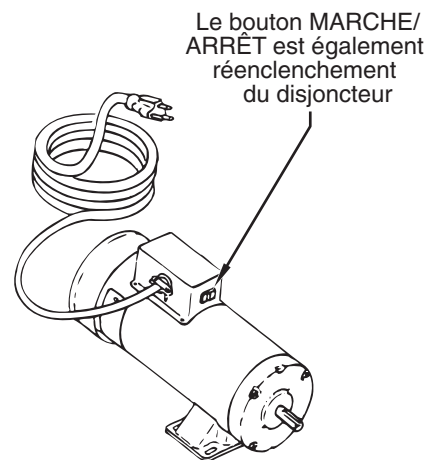
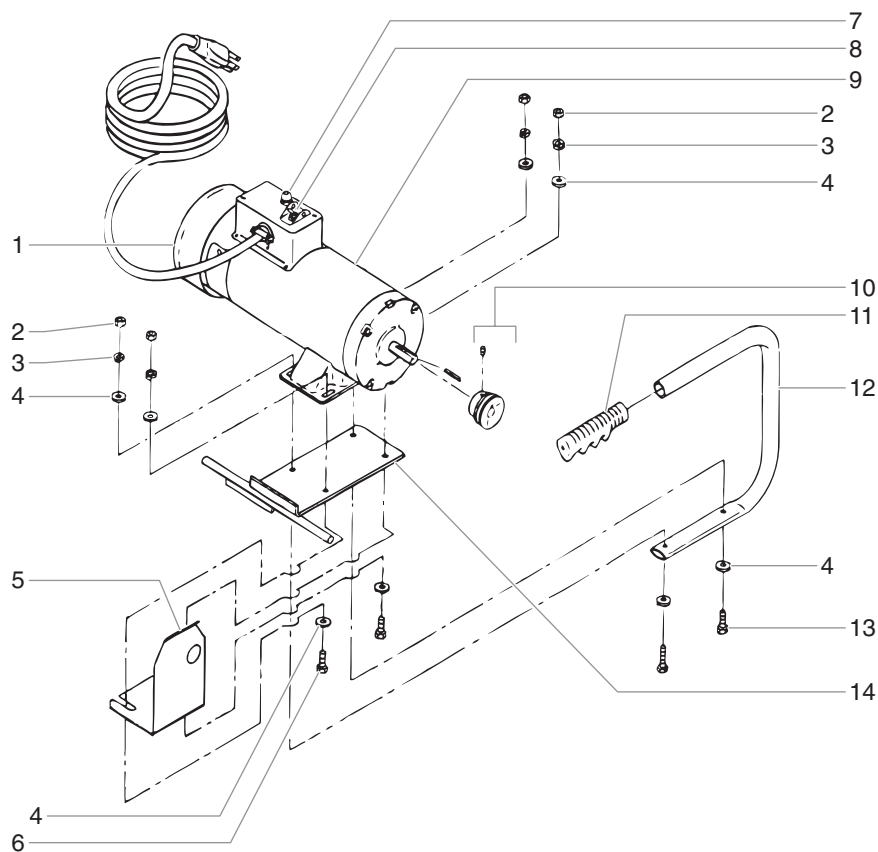


Article	N° de pièce	Description	Quantité
1	313-755	Décalcomanie de bouton.....	1
2	862-414	Vis de calage.....	1
3	448-243	Bouton de réglage de la pression.....	1
4	860-520	Vis de calage.....	1
5	449-195	Poulie/ventilateur.....	1
6	448-494	Clé, pompe (0,156 x 0,156 x 13/16).....	1
7	449-752	Pompe hydraulique.....	1
8	431-042	Raccord du tuyau.....	1
9	858-636	Vis, HH.....	8
10	858-002	Rondelle d'arrêt.....	10
11	325-031	Joint torique.....	1
12	448-253	Tuyau de renvoi.....	1
13	451-029	Raccord.....	1
14	449-616	Couvercle du réservoir.....	1
15	858-609	Écrou à river.....	1
16	858-621	Vis creuse.....	2
17	859-001	Rondelle.....	2
18	858-624	Vis.....	2
19	449-605	Joint du réservoir.....	1
20	112-208	Raccord.....	1
21	472-500	Coude.....	1
22	448-208	Filtre intérieur.....	1
23	449-623	Réservoir hydraulique.....	1
24	862-411	Écrou de blocage souple.....	2
25	862-001	Rondelle plate.....	6
26	862-002	Rondelle d'arrêt.....	4
27	449-212	Bouchon.....	1
28	862-493	Vis, HH.....	2
29	862-496	Boulon taraudé.....	1
30	449-985	Écran.....	1
31	192-228	Coude.....	1
32	449-126	Bride de serrage de tuyau.....	1
33	420-250	Tuyauterie, UVØ.....	1
34	448-246	Tuyau de pression.....	1
35	192-051	Coude.....	1
36	101-205	Fiche de mise à la terre.....	1
37	451-220	Filtre hydraulique.....	1
38	449-609	Dérivation hydraulique.....	1
39	449-626	Jauge de niveau/bouchon du réservoir de fluide hydraulique.....	1
40	449-614	Tuyau.....	1
41	862-438	Vis à oreilles.....	1
42	862-402	Écrou borgne.....	1
43	449-107	Support de plaque de montage.....	1
44	449-135	Entretoise.....	1
45	862-480	Vis, HH.....	1
46	451-121	Coude (non illustré).....	1
47	941-555	Soupape à bille (non illustrée).....	1

Guide de serrage et d'étanchéité

Article	Description
4	Utilisez du composé Loctite bleu sur les filetages
4	Serrage à 10 pi/lb (13,5 N.m)
8	Utilisez du mastic d'étanchéité hydraulique
13	Utilisez du mastic d'étanchéité hydraulique
16	Utilisez du composé Loctite bleu sur les filetages
16	Serrage à 8 pi/lb (11 N.m)
18	Serrage à 8 pi/lb (11 N.m)
20	Utilisez du mastic d'étanchéité hydraulique
21	Utilisez du mastic d'étanchéité hydraulique
22	Utilisez du mastic d'étanchéité hydraulique
28	Serrage à 15 pi/lb (20,5 N.m)
29	Serrage à 15 pi/lb (20,5 N.m)
37	Serrage à 20 pi/lb (28 N.m)
45	Serrage à 15 pi/lb (20,5 N.m)

CC - Convertokit électrique

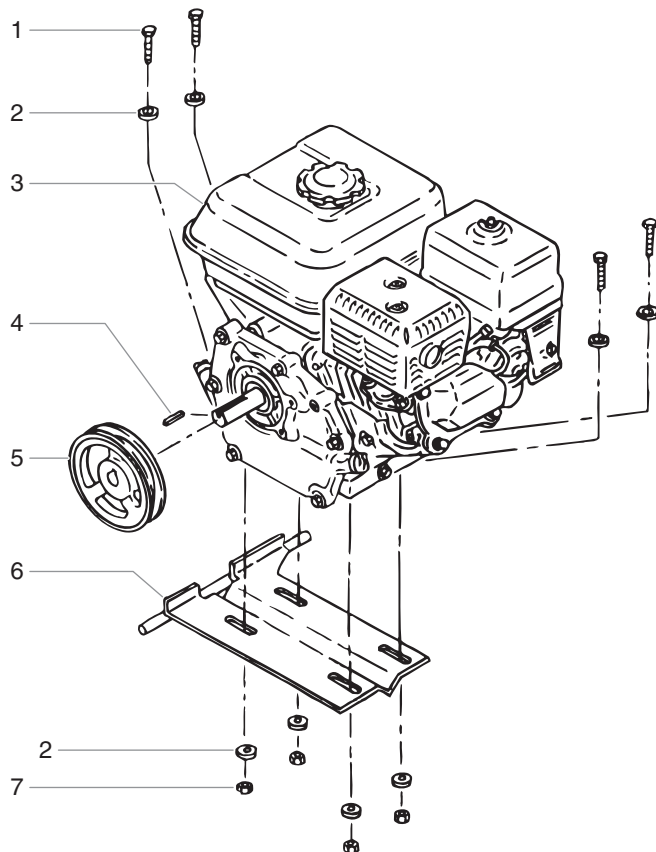


Moteur Approuvé de CSA

Article	N° de pièce	Description	506-211 115V Qté	506-205 CSA, 115V Qté
1	506-259	Couvercle	1	1
2	860-501	Écrou de butée	4	4
3	860-002	Rondelle d'arrêt	4	4
4	860-004	Rondelle plate	8	8
5	449-192	Flasque de l'arbre du moteur	1	1
6	860-535	Vis	2	2
7	506-257	Réenclenchement du disjoncteur	1	1
8	506-260	Bouton ON/OFF (MARCHÉ/ARRÉT)	1	1
	506-261	Bouton ON/OFF (MARCHÉ/ARRÉT), approuvé de CSA	1	1
9	978-350	Moteur, CC-Électrique, 2 HP, 50/60 Hz, 115V....	1	1
	978-384	Moteur, CC-Électrique, 2 HP, 50/60 Hz, 115V approuvé de CSA	1	1

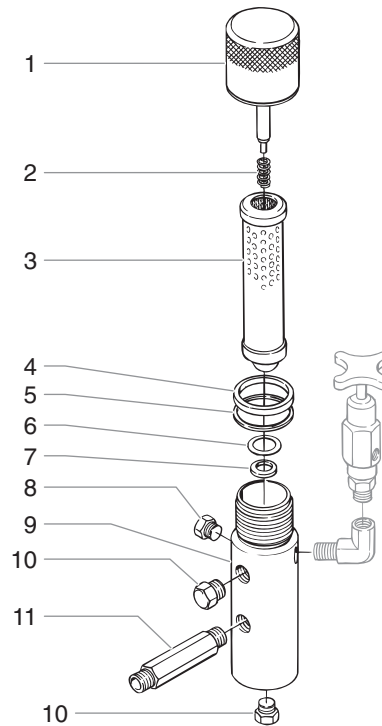
Article	N° de pièce	Description	506-211 115V Qté	506-205 CSA, 115V Qté
10	977-228	Poulie	1	1
	977-225	Poulie	1	1
11	590-068	Attache de poignée	1	1
12	335-017	Poignée	1	1
13	860-552	Vis	2	2
14	449-170	Plaque de montage	1	1
15	506-255	Rectificateur (non illustré)	1	1
16	506-258	Ventilateur (non illustré)	1	1
17	747-951	Nécessaire d'étiquettes d'identification (français non indiqué)	1	1
18	449-181	Courroie « V » (non illustrée, ne fait pas partie de l'ensemble)	1	1

Convertokit à essence (P/N 506-275)



Article	N° de pièce	Description	Quantité
1	860-552	Vis.....	4
2	860-004	Rondelle plate.....	8
3	980-331	Moteur, essence 5.5 HP, Honda.....	1
4	980-307	Touche.....	1
5	448-910	Poulie.....	1
6	449-219	Plaque de montage, moteur à essence..	1
7	860-502	Écrou de butée.....	4
8	449-181	Courroie « V » (non illustrée, ne fait pas partie de l'ensemble)	

Filtre



Article	N° de pièce	Description	930-514 Qté	930-515 Qté	930-516 Qté
1	930-937	Bouchon du filtre.....	1	1	1
2	930-020	Ressort.....	1	1	1
3	930-005	Filtre 5 M avec bille.....	1		
	930-006	Filtre 50 M avec bille.....		1	
	930-007	Filtre 100 M avec bille.....			1
4	920-006	Joint en UVØ (épais).....	1	1	1
5	920-070	Joint en UVØ (mince).....	1	1	1
6	891-193	Joint torique en UVØ.....	1	1	1
7	180-909	Siège en carbure au tungstène.....	1	1	1
8	227-027	Bouchon de tuyau.....	1	1	1
9	930-920	Corps de filtre.....	1	1	1
10	227-033	Bouchon de tuyau...2.....	2	2	2
11	191-324	Raccord hexagonal..	1	1	1

Nécessaire d'entretien du filtre (P/N 930-050)

Article	N° de pièce	Description	Quantité
2	930-020	Ressort.....	1
4	920-006	Joint en UVØ (épais).....	1
5	920-070	Joint en UVØ (mince).....	1
6	891-193	Joint torique en UVØ.....	1

Spécifications

Pression maximale de travail.....5000 psi (34.5 MPa)

Zone du Filtre.....18 In2 (116 cm2)

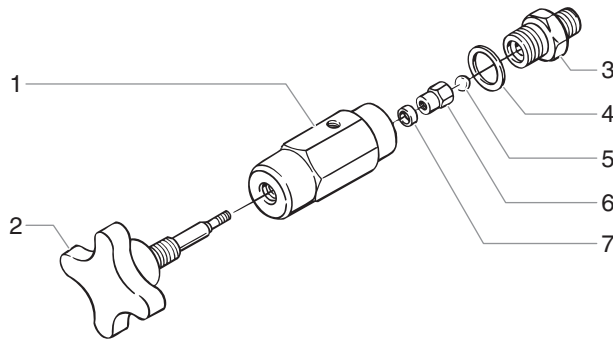
Ports de sortie.....(1) 1/4" NPT(F) pour
soupape de purge

(1) 3/8" NPT(F) avec
raccord de tuyau 1/4
NPSM (M)

(1) 3/8" NPT(F) branché
pour accrochage
supplémentaire du pistolet

Pièces Mouillées.....Acier au carbone avec
nickel et cadmium
autocatalytiques
revêtement, acier
inoxydable, carbure au
tungstène, UVØ

Soupape de purge (P/N 944-028)



Article	N° de pièce	Description	Quantité
1	944-020	Corps de soupape	1
2	944-024	Bouton	1
3	944-904	Siège de soupape.....	1
4	945-003	Joint en cuivre	1
5	761-715	Bille TC	1
6	944-026	Butée de tige de soupape	1
7	944-004	Joint torique en UVØO.....	1

Instructions de réparation

Cette soupape de purge comprend un siège de soupape en carbure de tungstène et ne doit pas être remplacée fréquemment. La bille en carbure de tungstène dure longtemps en service normal car elle tourne et s'use uniformément. S'il y a des fuites, remplacez la bille.



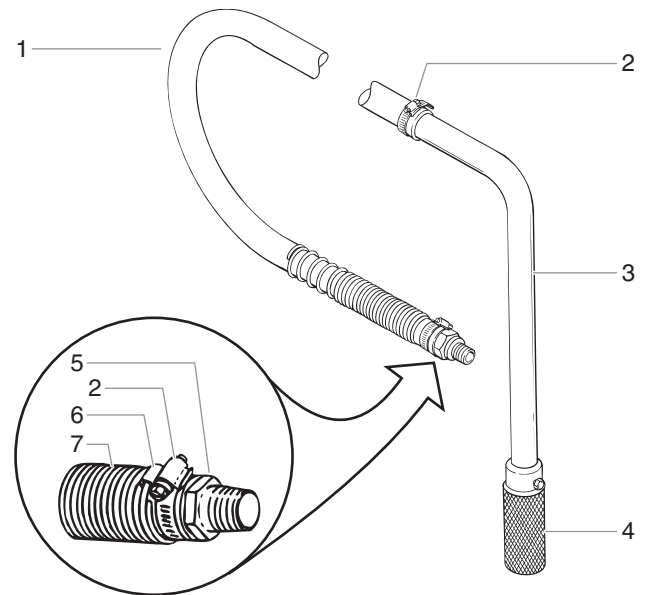
Ouvrez complètement le bouton de réglage dans le sens inverse des aiguilles d'une montre avant de dévisser le siège de la soupape du corps de la soupape. Si la tige de soupape tourne vers l'intérieur lors du démontage de la bille, le joint torique en DH: 9 peut avoir besoin d'être remplacé. S'il y a eu une fuite de la tige de soupape, le joint torique en DH: 9 doit être remplacé.

NOTA: La butée de la tige de soupape doit être dévissée de la tige de soupape avec un tournevis à visse creuse puis la tige de la soupape peut être dévissée du corps de la soupape.



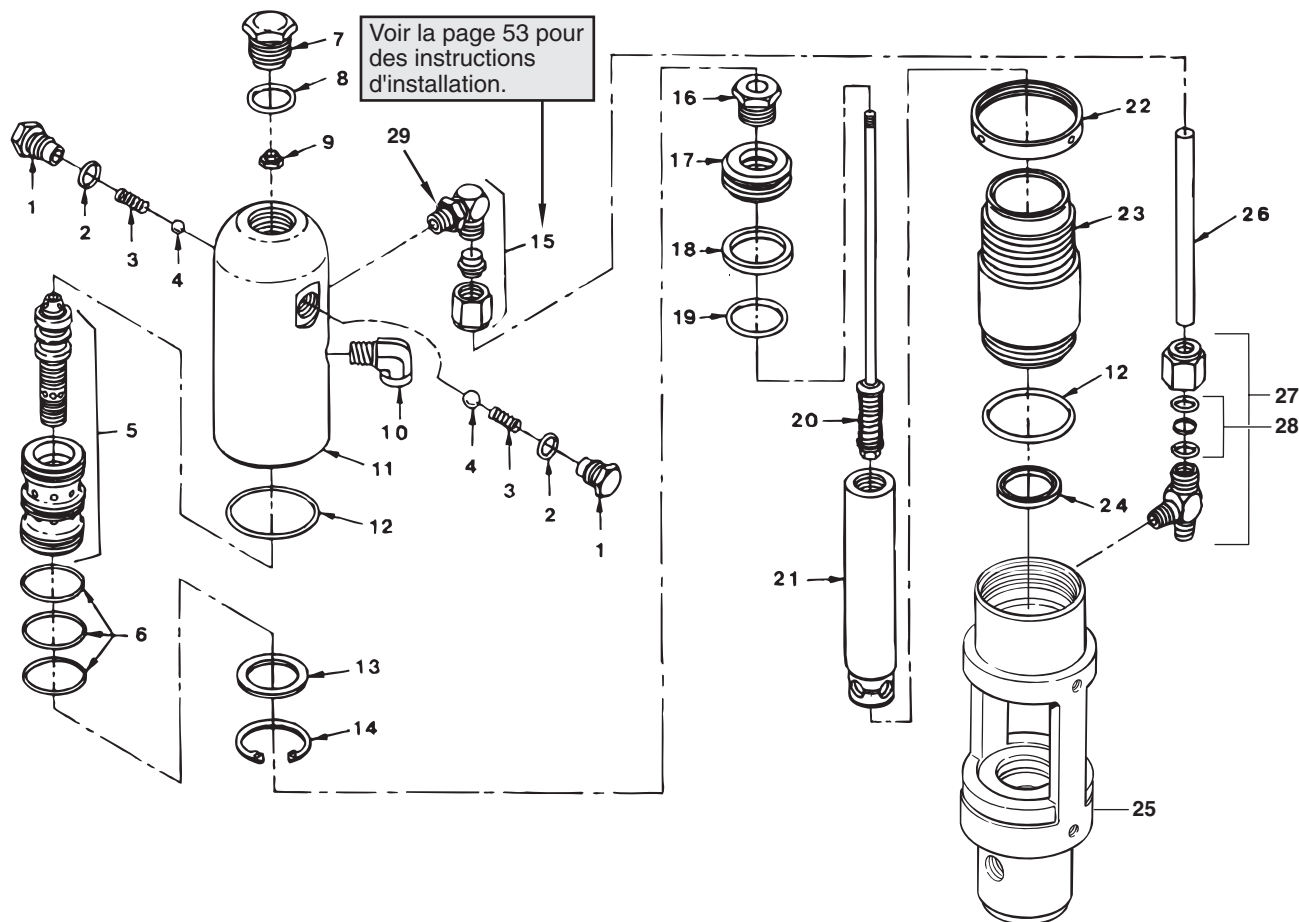
Tous les filetages non mobiles doivent être assemblés avec du mastic d'étanchéité Loctite de Speeflo (no de pièce 426-051).

Tuyau d'aspiration



Article	N° de pièce	Description	103-826	103-827
			Qté	Qté
1	420-070	Tuyau	4.5'	6.5'
2	103-679	Bride de serrage de tuyau	2	2
3	103-575	Tube	1	1
	103-585	Tube	1	1
4	103-627	Crépine.....	1	1
5	194-761	Adaptateur.....	1	1
6	103-119	Clip	1	1
7	103-125	Ressort.....	1	1

Moteur hydraulique



Article	N° de pièce	Description	Quantité
1	235-018	Système de retenue de course	2
2	141-007	Joint torique	2
3	325-005	Ressort de course	2
4	569-016	Bille SS	2
5	441-908	Tiroir/manchon	1
6	441-152	Joint torique	3
7	235-030	Fiche de la tête du cylindre	1
8	441-217	Joint torique	1
9	858-811	Écrou de blocage souple	1
10	451-121	Coude mâle-femelle 90°	1
11	235-112	Tête du cylindre	1
12	431-032	Joint torique	2
13	431-053	Système de retenue de manchon	1
14	431-054	Bague de retenue	1
15	192-000	Coude	1
16	235-022	Vis de retenue du piston	1
17	235-014	Piston	1
18	235-027	Joint du piston	1
19	235-026	Joint torique	1
20	235-021	Tige de soupape	1
21	235-948	Tige du piston	1
22	235-001	Bague de retenue	1
23	235-007	Cylindre	1
24	235-028	Joint de la tige	1
25	235-929	Bloc moteur/pompe	1
26	235-029	Tuyau du moteur	1
27	197-031	Raccord en T	1
28	431-019	Nécessaire de joint torique	1
29	700-499	Joint torique	1

Nécessaire d'entretien du moteur - divers (P/N 235-050)

Article	N° de pièce	Description	Quantité
2	141-007	Joint torique	2
3	325-005	Ressort de course	2
4	569-016	Bille SS	2
6	441-152	Joint torique	3
8	441-217	Joint torique	1
9	858-811	Écrou de blocage souple	1
12	431-032	Joint torique	2
18	235-027	Joint du piston	1
19	235-026	Joint torique	1
24	235-028	Joint de la tige	1

Entretien du moteur hydraulique

Réalisez cette opération à l'aide des pièces du nécessaire d'entretien du moteur – Divers (no de pièce 235-050). Si le moteur hydraulique fonctionne, faites démarrer l'appareil et mettez la tige du piston (21) dans la position supérieure.

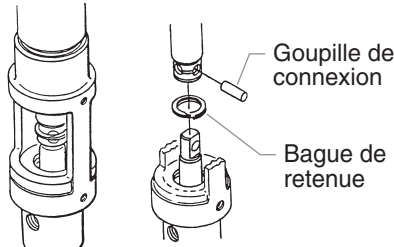
NOTA: L'entretien du moteur hydraulique doit être réalisé dans un endroit propre et exempt de poussière. Toutes les particules de poussière ou métalliques déposées dans le moteur ou y pénétrant peuvent endommager les parties essentielles et affecter sa durée de vie et sa garantie. L'état de propreté de toutes les pièces doit être vérifié.

Démontage du moteur hydraulique

- Débranchez le tuyau de pression du coude (éléments 34 et 35 dans la liste des pièces du circuit hydraulique) à l'arrière de la pompe hydraulique.

2. Démontez les deux vis de montage et les deux rondelles de blocage (éléments 17 et 16 dans la liste des pièces du chariot) qui fixent le moteur/pompe au chariot.
3. Placez le bloc moteur/pompe dans un étau, tenez-le fermement.
4. Démontez la fiche de la tête du cylindre (7)
5. Dévissez le joint torique (22) à l'aide d'une clé et dévissez la vis de fixation du tuyau non fileté sur le raccord en T (27). Dévissez l'écrou de fixation du tuyau sur le coude (15). Faites glisser l'écrou vers le bas. Enfoncez le tuyau du moteur (26) dans le raccord en T (27) assez loin pour dépasser le coude (15). Dévissez lentement la tête du cylindre (11) et soulevez-le juste assez au-dessus du cylindre (23) pour atteindre la tige de la soupape (20) avec les pinces de l'étau.
6. La tige du piston (21) doit être située à côté du haut de la course pour le démontage. Il peut être nécessaire d'utiliser un tournevis en bois ou en nylon pour enfoncer la tige du piston dans sa position supérieure.
7. Prenez fermement la tige de la soupape avec les pinces puis démontez l'écrou FlexLoc (9) du haut de la tige de la soupape (20). Assurez-vous que le tiroir (5) ne tombe pas. La tête du cylindre (11) peut maintenant être soulevée. Dévissez le cylindre (23) du bloc moteur/pompe (25). Remarque : Un anneau de blocage supplémentaire (22) peut être utilisé pour joindre les deux anneaux de blocage sur le cylindre et une clé à tuyau peut être utilisée pour dévisser le cylindre (23) du bloc moteur/pompe (25).

8. Pour démonter la goupille de connexion, faites glisser la bague de retenue vers le bas avec un petit tournevis puis extrayez la goupille de connexion.



9. Démontez la tige du piston du bloc moteur/pompe (25).
10. Démontez le joint de la tige (24) en prenant soin de ne pas fissurer la rainure du joint du bloc moteur/pompe (25).
11. Placez la vis de retenue du piston (16) sur la tige du piston dans un étau. Faites glisser une longue barre dans le trou à la base de la tige du piston pour le soulever, puis dévissez la tige du piston de la vis de retenue du piston.
12. Démontez le piston (17) et soulevez la tige de la soupape (20).
13. Démontez le joint du piston (18) et le joint torique (19).
14. Démontez les pièces de retenue de course (1), les ressorts de course (3) et les billes (4) de la tête du cylindre (11). Démontez les joints toriques (2) des pièces de retenue de la course (1).
15. Démontez l'anneau de retenue (14) et la pièce de retenue du manchon (19). Extrayez doucement en tapotant le manchon/tiroir (5) de la tête du cylindre (11) à l'aide d'une tige en bois ou en nylon.
16. Vérifiez la tige du piston (21) et le cylindre (23) pour vérifier qu'ils ne sont ni usés, ni rayés. Remplacez-les au besoin.
17. Vérifiez l'état d'usure de la soupape à tiroir (5). Remplacez-la au besoin. La soupape à tiroir doit pouvoir bouger librement et sans à-coups, sans forcer dans la plan vertical. Si tel n'est pas le cas, le moteur peut caler.

Remontage du moteur hydraulique

1. Tiroir/manchon séparé (5) Placez les joints toriques (6) sur le manchon. Lubrifiez les joints toriques avec de l'huile hydraulique. Enfoncez doucement le manchon dans la tête du cylindre (11), le côté le plus bas du manchon vers l'extérieur. Utilisez une tige en nylon pour enfoncer le manchon jusqu'à ce qu'il soit à la profondeur correcte. N'utilisez pas d'autre type d'outil qui pourrait endommager ou laisser des particules ou des résidus sur le manchon. Installez le tiroir dans le haut de la tête du cylindre dans le manchon.

⚠ ATTENTION

N'utilisez pas de lubrifiant de piston. Il s'agit d'un solvant et il pourrait sévèrement endommager les joints et les joints toriques du moteur hydraulique.

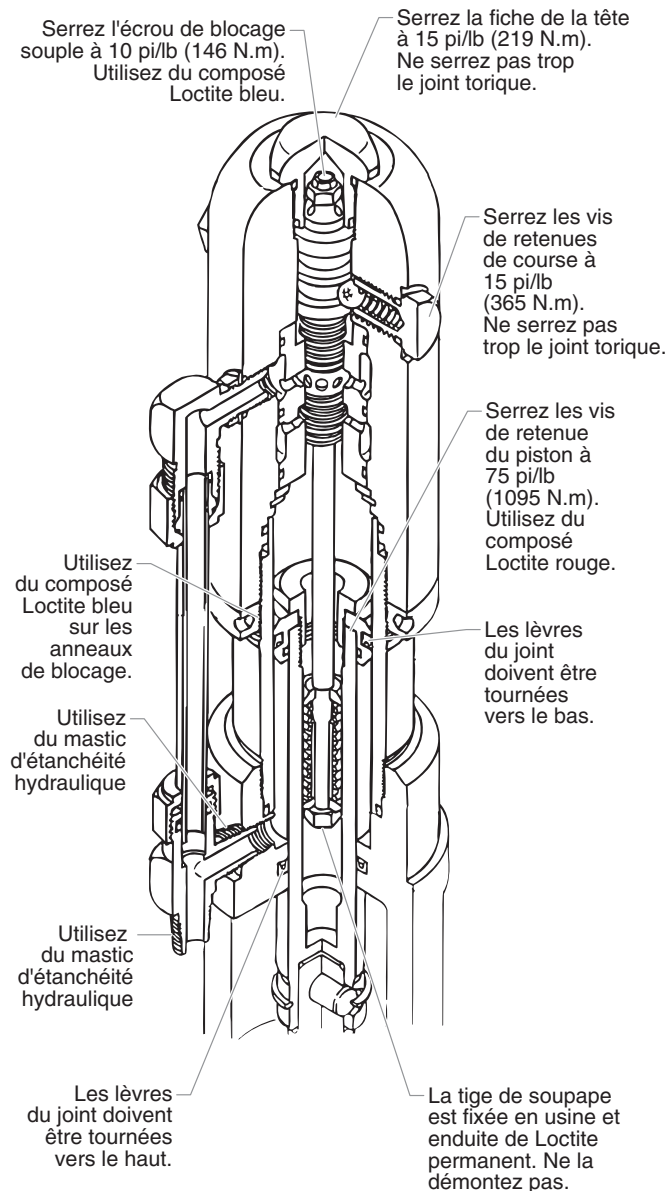
2. Installez les joints toriques (2) des pièces de retenue de la course (1). Installez les billes de retenue de course (4) suivies des ressorts (3) qui, une fois installés, maintiendront le tiroir/manchon en place pour le montage.
3. Installez la bague de retenue du manchon (13) suivie du circlip (14) dans la tête du cylindre (11) qui maintiendra le manchon de la soupape en place. Installez le joint torique (12) dans la rainure du joint torique de la tête de cylindre.
4. Remplacez le joint inférieur (24) du bloc de moteur/pompe (25). Assurez-vous la partie ouverte du siège est bien placée vers le haut (V) Ce joint ne nécessite aucun outil spécial.
5. Placez la tige du piston (21) dans un étau. Vérifiez l'état de la tige de la soupape (20). Assurez-vous que l'écrou de blocage en bas de la tige de soupape (20) est bien fixé. **NE L'ENLEVEZ PAS.** Placez ensuite la tige du piston (21) comme indiqué. Installez le joint torique (19), en le lubrifiant soigneusement et remplacez le piston (17) sur la tige de piston (21). Mettez une goutte de composé Loctite bleu sur la vis de retenue du piston (16). Serrez la vis de retenue du piston jusqu'à ce que le piston soit bien en place. Vérifiez l'état de la tige de la soupape (20) pour voir l'action normale du ressort à ce moment-là.
6. Installez le joint du piston (18), lèvres vers le bas. Installez soigneusement le joint torique (19). Détendez l'anneau et adaptez-le pour l'installer.
7. Lorsque le bloc moteur/pompe (25) est toujours en place, installez le joint inférieur (24) en l'enfonçant vers sa rainure avec une tige d'une taille adaptée. Puis terminez l'installation à la main. Aucun outil n'est nécessaire. Ne tordez pas le joint.
8. Pré-lubrifiez le piston et la tige de soupape avec du liquide hydraulique Coolflo™ (numéro de pièce 430-361) Installez la tige du piston (21) dans le bloc moteur/pompe (25) en poussant doucement et en faisant tourner pour que la tige du piston rentre bien dans le joint (24).

NOTA: Assurez-vous qu'il n'y a pas de bords coupants dans le bas de la tige du piston (21) qui pourraient endommager le joint du piston pendant l'installation sur le bloc moteur/pompe (25).

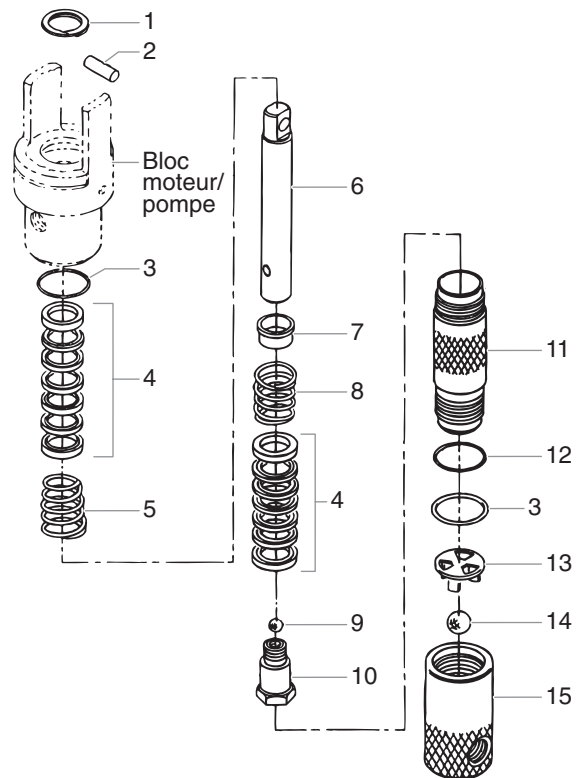
9. Remplacez la goupille de la tige de connexion et l'anneau de retenue.
10. Installez un joint torique (12) sur la paroi du cylindre. Lubrifiez l'anneau et la paroi intérieure. Lorsque la tige du piston est bien en place, le cylindre peut être doucement entraîné autour du joint du piston avec un maillet en caoutchouc. Vissez fermement le cylindre dans le bloc moteur/pompe (25).
11. Soulevez la tige du piston (21) en haut et vissez complètement l'anneau de blocage (22) vers le haut jusqu'aux filetages supérieurs du cylindre (23).
12. Tirez sur la tige de soupape (20) vers le haut aussi loin que possible et saisissez-la avec des pinces. Puis installez la tête du cylindre (11) déjà assemblée sur la tige de soupape jusqu'à ce que les filetages de la tige de soupape passent par le haut du tiroir/manchon (5). Les filetages de la tige de soupape doivent être propres et débarrassés de toute trace d'huile. Placez une goutte de composé Loctite bleu sur les filetages de l'écrou de blocage souple (9) et l'écrou fileté sur la tige de soupape en position totalement serrée (ne serrez pas trop) tout en maintenant la tige de soupape au-dessous avec des pinces d'étau.

13. Vissez la tête du cylindre (11) vers le bas sur le cylindre (23) puis vers l'arrière juste assez pour remonter les raccords hydrauliques et le tuyau du moteur (26). Serrez l'anneau de blocage avec une clé pour maintenir la tête du cylindre en place.
14. Le raccord en T (27) et le coude (15) utilisent un joint torique (28) pour se fixer sur le diamètre extérieur (D.E.) du tuyau du moteur (26). Le D.E. du tuyau du moteur ne doit pas comporter de rayures ni de bords tranchants. Les écrous de blocage sur ces raccords doivent d'abord être serrés à la main, puis avec une clé d'un demi-tour supplémentaire.
15. Installez un joint torique (8) sur la fiche de la tête du cylindre (7). Vissez.

Coupage du moteur hydraulique



Section des liquides



Article	N° de pièce	Description	Quantité
1	143-019	Bague de retenue	1
2	143-120	Goupille de connexion	1
3	145-031	Joint torique en UVØØ	2
4	138-153	Garniture, cuir/UHMPWPE/acier	2
5	142-004	Ressort de garniture, SS	1
6	143-117	Tige de déplacement, Severe Service 500	1
7	138-001	Retenue du ressort	1
8	142-003	Ressort de garniture, SS	1
9	138-225	Bille SS	1
10	143-945	Siège du piston	1
11	143-822	Cylindre de pompe, Severe Service 500	1
12	140-009	Joint torique	1
13	145-032	Cage à bille inférieure, SS	1
14	920-103	Bille SS	1
15	143-998	Clapet de pied	1

Nécessaire d'entretien de la section des liquides, principal (P/N 143-500)

Article	N° de pièce	Description	Quantité
	143-050	Nécessaire d'entretien de la section des liquides, Divers	1
6	143-117	Tige de déplacement	1
11	143-822	Cylindre de pompe	1

Nécessaire d'entretien de la section des liquides, Divers (P/N 143-050)

Article	N° de pièce	Description	Quantité
1	143-019	Bague de retenue	1
3	145-031	Joint torique en UVØØ	2
4	138-153	Garniture, cuir/UHMPWPE/acier	2
9	138-225	Bille SS	1
12	140-009	Joint torique	1
14	920-103	Bille SS	1
	426-051	Loctite	1

Maintenance de la section des liquides

NOTA: L'UTILISATION DE PIÈCES DE RECHANGE AUTRES QUE CELLES FOURNIES PAR SPEEFLO PEUVENT ANNULER LA GARANTIE. DEMANDEZ DES PIÈCES D'ORIGINE DE SPEEFLO POUR UN MEILLEUR ENTRETIEN. Cette pompe doit être entretenue à toutes les 1000 heures de fonctionnement. Un entretien précoce est nécessaire s'il y a des fuites importantes dans la garniture supérieure ou si la course ascendante ou descendante de la pompe devient trop rapide. L'utilisation du lubrifiant de piston Speeflo (no de pièce 700-925) est recommandé comme lubrifiant de garniture supérieure. Ne remplacez pas le lubrifiant de garniture supérieure par DE L'HUILE, DE L'EAU OU DU SOLVANT.

Démontage de la section des liquides

1. Retirez le tuyau d'aspiration. Dévissez le clapet de pied (15) et le cylindre de la pompe (12) avec une clé.
2. Faites glisser la bague de retenue (1) vers le haut à l'aide d'un petit tournevis puis extrayez la goupille de connexion (2).
3. Enfoncez la tige de déplacement (6) dans la cavité inférieure du bloc moteur/pompe.
4. Enlevez le bloc moteur/pompe, le joint torique en $\text{UV}\varnothing$ (3) le ressort de garniture supérieure (5) et la garniture supérieure (4).
5. Tenez la tige de déplacement (6) dans un étau par les bords en haut de la tige de déplacement et enlevez le siège du piston (10) avec une clé tout en retenant la tige de déplacement horizontalement avec un support en bois au besoin. Démontez la bille (9), la garniture inférieure (4), le ressort de la garniture inférieure (8) et la bague de retenue du ressort (7).
6. Démontez la cage à billes (13), le joint torique en $\text{UV}\varnothing$ (3) et la bille (14).
7. Remplacez la goupille de connexion (2) et l'anneau de retenue (1).
8. Démontez le joint torique (12) du cylindre de la pompe (11).

Remontage de la section des liquides

NOTA: Utilisez du ruban en DH: 9 sur tous les raccords de tuyau filetés.

1. Placez la bille (14) dans le clapet de pied (15) suivie par la cage à billes (13).
2. Placez le joint torique en $\text{UV}\varnothing$ (3) dans la rainure inférieure du clapet de pied (15).
3. Placez la garniture inférieure (4) sur le siège du piston (10) avec la pointe de la garniture en « V » vers le bas en direction du clapet de pied.

NOTA: Les garnitures doivent être imbibées d'huile avant l'installation.

4. Nettoyez les filetages du siège du piston (10) et enduisez-le de composé Loctite bleu. Assurez-vous qu'il n'y a pas de Loctite sur le siège.
5. Placez la bille (9) sur le siège du piston (10).
6. Placez le ressort de la garniture inférieure (8) sur le siège du piston (10) suivi par la bague de retenue du ressort (7).
7. Vissez la tige de déplacement (6) et le siège du piston (10) ensemble. Vissez dans un étau à 75 pi/lb.
8. Placez le joint torique en $\text{UV}\varnothing$ (3) dans la rainure supérieure du bloc moteur/pompe.
9. Placez la garniture inférieure (4) dans le bloc moteur/pompe avec la pointe des garnitures en « V » vers le bas en direction du moteur.

NOTA: Les garnitures doivent être imbibées d'huile avant l'installation.

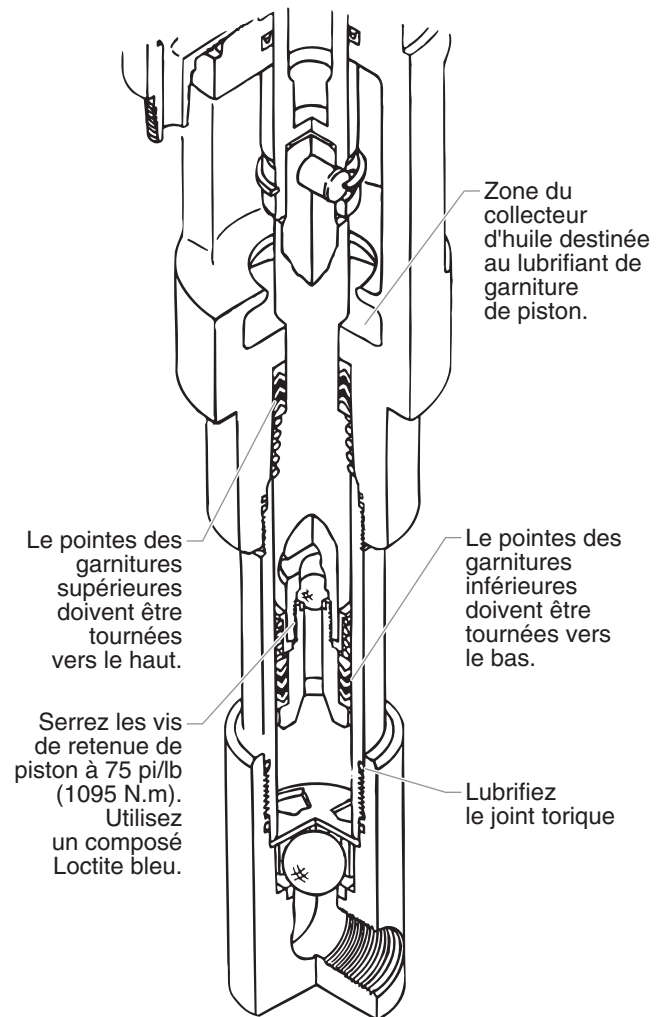
10. Placez le ressort de la garniture supérieure (5) dans le bloc moteur/pompe avec la petite extrémité conique vers le haut, en direction du bloc moteur/pompe.

11. Insérez la tige de déplacement (6) par les garnitures supérieures dans le bloc moteur/pompe.
12. Alignez les trous dans la tige de déplacement (6) et la tige du piston hydraulique puis insérez la goupille de connexion (2).
13. Vissez les filetages courts du cylindre de la pompe (11) dans le bloc moteur/pompe et serrez avec une clé.
14. Placez le joint torique (12) dans la rainure supérieure du cylindre de la pompe (11).
15. Vissez le clapet de pied (15) sur le cylindre de la pompe (11) serrez avec une clé à courroie puis tirez vers l'arrière pour aligner le tuyau d'aspiration.

NOTA: Il n'est pas nécessaire de trop visser le clapet de pied. Les joints toriques servent de joints sans serrage excessif. Il suffit d'engager totalement le filetage. Le clapet de pied peut être tourné vers l'arrière d'un demi-tour pour mieux placer le tuyau.

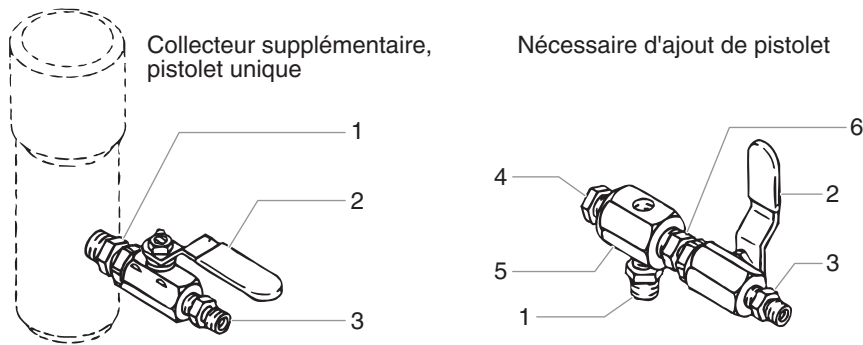
Pour fixer le tuyau d'aspiration, il est très important que les filetages du tuyau d'aspiration pénètrent facilement dans le clapet de pied avec les raccords du tuyau en DH: 9 guipés et recouverts de mastic d'étanchéité pour empêcher toute fuite d'air.

Coupure de la section des liquides



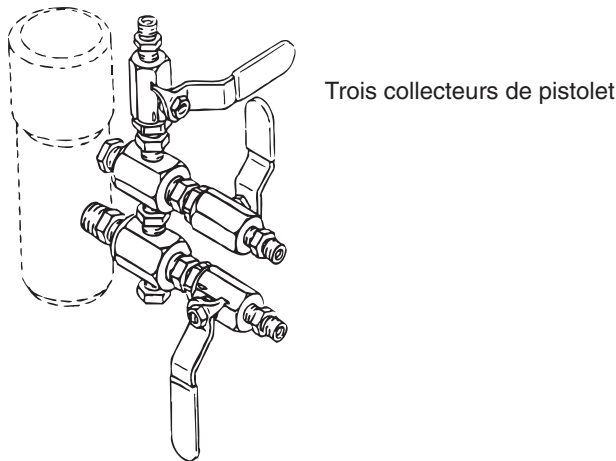
Collecteur de pistolet (option)

Collecteur supplémentaire, pistolet unique



Article	N° de pièce	Description	975-111 Collecteur supplémentaire, pistolet unique 1/4"	975-311 Collecteur supplémentaire, pistolet unique 3/8"	975-200 Nécessaire d'ajout de pistolet 1/4"	975-300 Nécessaire d'ajout de pistolet 3/8"
1	814-002	Raccord hex.....	1		1	
	814-004	Raccord hex.....		1		1
2	940-553	Bille de soupape.....	1		1	
	941-555	Bille de soupape.....		1		1
3	227-006	Raccord hex.....	1		1	
	808-555	Raccord hex.....		1		1
4	227-033	Bouchon, tuyau.....			1	1
5	970-100	Bloc, collecteur.....			1	1
6	814-004	Raccord hex.....			1	1

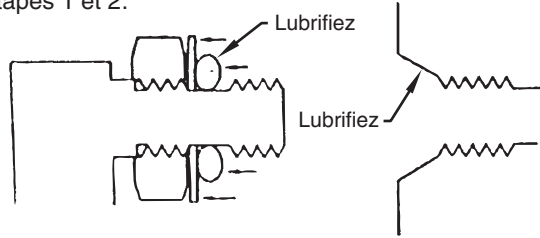
Collecteur supplémentaire, pistolets multiples



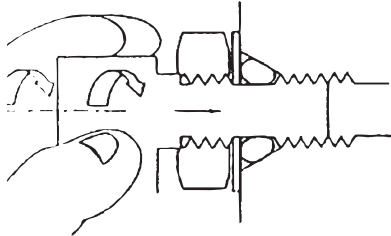
N° de pièce	Description	975-212 2 Pistolets 1/4"	975-213 3 Pistolets 1/4"	975-214 4 Pistolets 1/4"	975-312 2 Pistolets 3/8"	975-313 3 Pistolets 3/8"	975-314 4 Pistolets 3/8"
975-111	Supplémentaire, pistolet unique, 1/4".....	1	1	1			
975-311	Supplémentaire, pistolet unique, 3/8".....				1	1	1
975-200	Nécessaire d'ajout de pistolet, 1/4".....	1	2	3			
975-300	Nécessaire d'ajout de pistolet, 3/8".....				1	2	3

Installation du joint torique SAE

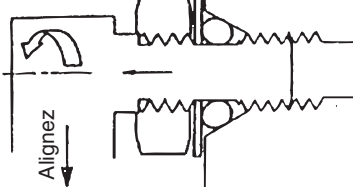
Étapes 1 et 2:



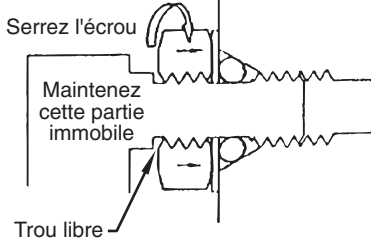
Étape 3:



Étape 4:

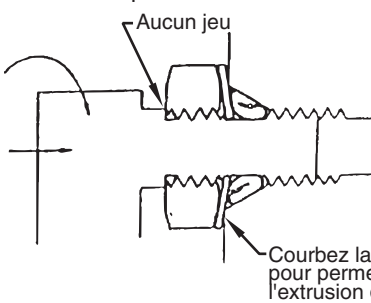


Étape 5:

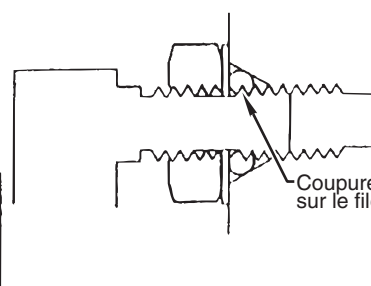


Attention:

Évitez de trop serrer le raccord.



Évitez de laisser le raccord sortir trop.



1. Tirez sur la rondelle et le joint torique aussi loin que possible.
2. Lubrifiez les joints toriques et les ports d'entrée.
3. Vissez le raccord jusqu'à ce que la rondelle pousse le joint torique dans l'entrée et repose à plat contre le port. (Ne serrez pas! – serrez uniquement à la main pour comprimer le joint torique dans le port!)
4. Sortez le raccord de moins d'un tour complet pour l'aligner au besoin.
5. Serrez fermement l'écrou avec une clé. Cela doit dégager un espace derrière l'écrou qui peut indiquer que le raccord est correctement monté. (Il s'agit d'une fonction pour une version spécifique de ce raccord uniquement – qui se visse dans la tête du cylindre. D'autres raccords, comme ceux fixés à la pompe hydraulique semblent identiques mais n'ont pas le même indicateur.)

Nécessaires d'accessoires et d'entretien

Vous pouvez vous procurer les pièces de rechange séparément auprès de votre concessionnaire Speeflo.

N° de pièce	Description
103-826	Tuyau d'aspiration de 5 gallons avec crépine de 1 po x 4,5 po
103-827	Tuyau d'aspiration de 55 gallon avec crépine de 1 po x 6,5 po
103-627	Crépine
930-005	Filtre de peinture, 5 Mailles (pour les produits multicolores et denses)
930-006	Filtre de peinture, 50 Mailles (pour les produits en latex et de conception habituelle)
930-007	Filtre de peinture, 100 Mailles (pour les teintures, les vernis-lacques et les produits peu denses)
520-050	SGX-20 G, T, et nécessaire de tuyau 1/4 po
520-051	SGX-20 G, T, et nécessaire de tuyau de 3/8 po
101-208	Collier de mise à la terre
101-212	Fil de mise à la terre, calibre 12 x 7,6 m (25 pi)
700-925	Lubrifiant de piston
430-362	Liquide hydraulique Coolflo™, 0,9 litre (1 pinte)
430-361	Liquide hydraulique Coolflo™, 3,7 Litres (1 gallon)
143-050	Nécessaire d'entretien de la section des liquides, divers
930-050	Nécessaire d'entretien du filtre
944-050	Nécessaire d'entretien de la soupape de purge
975-212	Collecteur 2 pistolets avec soupapes à bille, 1/4 po
975-213	Collecteur 3 pistolets avec soupapes à bille, 1/4 po
975-312	Collecteur 2 pistolets avec soupapes à bille, 3/8 po
975-313	Collecteur 3 pistolets avec soupapes à bille, 3/8 po

Sélection des embouts sans air comprimé

Les embouts sont sélectionnés par la taille de l'orifice et la largeur du ventilateur. Une bonne sélection est déterminée par la largeur du ventilateur nécessaire pour un travail spécifique et par la taille de l'orifice qui fournira la quantité souhaitée de liquide et une bonne atomisation.

Pour les liquides à faible viscosité, des embouts à petits orifices sont généralement préférables. Pour les liquides à viscosité élevée, des embouts à orifices plus grands sont généralement recommandés. Veuillez consulter le tableau ci-dessous.

NOTA: Ne dépassez pas la taille d'embout recommandée pour la pompe.

Le tableau suivant indique les tailles les plus courantes et les produits à vaporiser.

Taille d'embout	Produit à vaporiser	Type de filtre
.011 – .013	Vernis-laques et teintures	Filtre 100 mailles
.015 – .019	Huile et latex	Filtre 50 mailles
.021 – .026	Latex denses et mastics	Filtre 5 mailles

Des ventilateurs d'une largeur de 20 à 30 cm (8 po à 12 po) sont généralement préférables car ils permettent de mieux contrôler la pulvérisation et se bloquent moins facilement.

Contenido

Precauciones de seguridad	54
Instrucciones para conectar a tierra	55
Seguridad del motor de gasolina	56
English	2
Français	28
Especificaciones	56
Introducción	57
Funcionamiento	57
Abastecimiento de combustible	57
Configuración	58
Preparación para pintar	59
Pintura	60
Procedimiento para aliviar la presión	61
Limpieza	61
Limpieza de una punta obstruida	62
Mantenimiento	62
Mantenimiento diario	62
Mantenimiento del ensamblaje del filtro	62
Mantenimiento del sistema hidráulico	63
Mantenimiento de la sección de líquidos	63
Mantenimiento básico del motor (motor de gasolina)	63
Reemplazo de las escobillas del motor (motor eléctrico)	64
Solución de problemas	65
Pistola sin aire	65
Sección de líquidos	65
Motor hidráulico	66
Patrones de rociado	67
Lista de piezas e instrucciones de servicio	68-79
Ensamblaje principal	68
Ensamblaje de la manguera de purga con válvula	68
Ensamblaje del carro	69
Ensamblaje del protector de la cadena	69
Sistema hidráulico	70
Convertokit eléctrico DC	71
Ensamblaje del filtro	72
Convertokit de gasolina	72
Ensamblaje de la válvula de purga	73
Ensamblaje de la manguera de succión	73
Motor hidráulico	74
Sección de líquidos	76
Ensamblajes de distribuidor para pistolas (opcional)	78
Instalación del conector de la junta tórica	79
Accesorios y Juegos de mantenimiento	79
Selección de la punta sin aire	79
Garantía limitada	80

Precauciones de seguridad

Este manual contiene información que debe leer y comprender antes de usar el equipo. Cuando se encuentre con uno de los siguientes símbolos, preste especial atención y observe sus indicaciones de seguridad.

ADVERTENCIA

Este símbolo indica la existencia de un peligro potencial que puede causar lesiones graves o la muerte. Después del mismo se incluye información de seguridad importante.

PRECAUCIÓN

Este símbolo indica la existencia de un peligro potencial para usted o para el equipo. Después del mismo se incluye información importante que indica la forma de evitar daños al equipo o la forma de prevenir lesiones menores.

NOTA: Los avisos contienen información importante, présteles especial atención.

ADVERTENCIA

PELIGRO: Lesión por inyección - La corriente de pintura a alta presión que produce este equipo puede perforar la piel y tejidos subyacentes, lo que conduciría a lesiones graves y a una posible amputación. Consulte de inmediato a un médico.

¡NO TRATE LAS LESIONES POR INYECCIÓN COMO SI FUERAN SIMPLES CORTES! Una inyección puede conducir a una amputación. Consulte de inmediato a un médico.

El rango de operación máximo de la unidad es 3300 PSI / 23 MPa de presión de fluidos.

PARA PREVENIR:

- NO dirija NUNCA la pistola a ninguna parte del cuerpo.
- NO permita NUNCA que ninguna parte del cuerpo tenga contacto con la corriente de fluido. EVITE tener contacto con corrientes de fluido que salgan de fugas que haya en la manguera.
- NO ponga NUNCA la mano delante de la pistola. Los guantes no ofrecen ninguna protección contra una lesión por inyección.
- Bloquee SIEMPRE el gatillo de la pistola, apague la bomba de fluido y libere toda la presión antes de dar mantenimiento, limpiar el protector de la boquilla, cambiar la boquilla o dejar desatendido el equipo. La presión no se liberará al apagar el motor. Para liberar la presión debe girarse el mando PRIME/SPRAY (cebar/atomizar) hasta la posición PRIME. Consulte el Procedimiento para Liberar la Presión que se describe en este manual.
- Mantenga puesto SIEMPRE el protector de la boquilla mientras atomice. El protector de la boquilla ofrece cierta protección contra lesiones por inyección, pero es principalmente un dispositivo de advertencia.
- Quite SIEMPRE la boquilla del atomizador antes de enjuagar o limpiar el sistema.
- Pueden desarrollarse fugas en la manguera de pintura por causa del desgaste, retorcimientos o el abuso. Una fuga es capaz de inyectar el material en la piel. Cada vez que use la manguera de pintura, inspecciónela antes.
- NO use NUNCA una pistola de atomización que no tenga un protector o un bloqueador o un protector de gatillo puesto y que funcione.
- Todos los accesorios deben tener una capacidad de 3300 lb/pulg² / 23 MPa o superior. Esto incluye las boquillas del atomizador, pistolas, extensiones y mangueras.

NOTA PARA EL MÉDICO:

La inyección dentro de la piel es una lesión traumática. Es importante que la lesión se trate quirúrgicamente tan pronto como sea posible. NO retrase el tratamiento por investigar la toxicidad. La toxicidad es motivo de preocupación con algunos revestimientos que se inyectan directamente en la corriente sanguínea. Es recomendable consultar a un cirujano plástico o reconstructor de manos.

PELIGRO: EXPLOSIÓN O INCENDIO – Los vapores de solventes y pinturas pueden explotar o incendiarse. Se pueden producir lesiones graves y daños materiales.

PARA PREVENIR:

- Debe proveerse un escape y aire fresco para hacer que el aire que está dentro del área de atomización se mantenga libre de acumulaciones de vapores inflamables.
- Evite todas las fuentes de ignición como son las chispas electrostáticas, llamas abiertas, llamas de piloto y objetos calientes. La conexión o desconexión de cables eléctricos o pulsar interruptores de luz puede generar chispas.
- No fume en la zona de trabajo.
- Debe haber un equipo para la extinción de incendios permanentemente y en buenas condiciones.
- Coloque la bomba para pintar en una zona bien ventilada. Los vapores inflamables son a menudo más pesados que el aire. La zona del piso debe estar extremadamente bien ventilada. La bomba para pintar contiene piezas que forman arcos eléctricos que emiten chispas y pueden encender los gases.
- El equipo y los objetos que estén dentro y alrededor del área de atomización deben conectarse a tierra de manera adecuada para prevenir las descargas eléctricas y las chispas.

- Use solamente mangueras para fluidos de alta presión conductoras o conectadas a tierra. La pistola debe estar conectada a tierra mediante las conexiones de la manguera.
- El cable de alimentación debe enchufarse a un circuito con conexión de tierra (solamente los modelos eléctricos).
- Siempre enjuague la unidad en un recipiente de metal independiente, con presión baja en la bomba y sin la boquilla. Sostenga la pistola firmemente contra el recipiente para ponerlo a tierra y evitar chispas estáticas.
- Siga las advertencias y avisos de seguridad del fabricante de los materiales y el disolvente.
- Tenga extremado cuidado cuando utilice materiales cuyo punto de ignición sea inferior a 21° C (70° F). El punto de ignición es la temperatura a la cual pueden encenderse los vapores emanados por un fluido.
- El plástico puede causar chispas estáticas. Nunca utilice plásticos colgados para cerrar un área de atomización. No utilice plástico para proteger el piso cuando pinte materiales inflamables.
- Utilice la presión más baja posible para enjuagar el equipo.

MOTOR DE GASOLINA (SEGÚN CORRESPONDA)

Coloque siempre la bomba fuera del edificio, al aire libre. Mantenga todo disolvente alejado del escape del motor. Nunca llene el tanque de combustible con el motor en marcha o caliente. La superficie caliente puede encender el combustible derramado. Conecte siempre un conductor desde la unidad de la bomba a un objeto puesto a tierra, por ejemplo, una tubería de agua metálica. Consulte el manual del motor para obtener información completa de seguridad.

PELIGRO: PELIGRO DE EXPLOSIÓN DEBIDO A MATERIALES INCOMPATIBLES – Podría causar lesiones graves o daños materiales.

PARA PREVENIR:

- No utilice materiales que contengan lejía o cloro.
- No use disolventes con hidrocarburos hidrogenados, tales como productos para eliminar el moho, cloruro de metileno y 1, 1, 1 – tricloroetano. Estos no son compatibles con el aluminio.
- Póngase en contacto con el proveedor del producto para obtener información de compatibilidad con el aluminio.

PELIGRO: GASES PELIGROSOS - Las pinturas, disolventes, insecticidas y otros materiales pueden ser perjudiciales si se inhalan o entran en contacto con el cuerpo. Los gases pueden causar náuseas, desmayos o envenenamientos graves.

PARA PREVENIR:

- Use una mascarilla respiratoria o máscara siempre que exista la posibilidad de que se puedan inhalar vapores. Lea todas las instrucciones incluidas con la máscara para estar seguro de que se tendrá la protección necesaria contra la inhalación de vapores dañinos.
- Use gafas protectoras.
- Use ropa de protección, según lo requiera el fabricante del producto.

PELIGRO: GENERAL – Este producto puede causar graves lesiones o daños materiales.

PARA PREVENIR:

- Lea todas las instrucciones y advertencias antes de hacer funcionar el equipo.
- Desconecte siempre el motor de suministro eléctrico antes de dar servicio al equipo (sólo modelos eléctricos).
- Observe todos los códigos locales, estatales y nacionales apropiados que rigen las medidas de ventilación la prevención de incendios y el funcionamiento.
- Los Estándares de Seguridad del Gobierno de los Estados Unidos se han adoptado bajo el Acta de Seguridad y Salud Ocupacionales (OSHA por sus siglas en inglés). Deben consultarse estos estándares, particularmente la parte 1910 de los Estándares Generales y la parte 1926 de los Estándares de la Construcción.

- Utilice únicamente piezas autorizadas por el fabricante. El usuario asume todos los riesgos y responsabilidades si usa piezas que no cumplen con las especificaciones mínimas y dispositivos de seguridad del fabricante de la bomba.
- Antes de usarla cada vez, revise todas las mangueras en busca de cortes, fugas, una cubierta desgastada por abrasión o con abolladuras. Compruebe que no existan daños en las uniones ni que se hayan movido. Si existiera cualquiera de estas condiciones, reemplace la manguera inmediatamente. No repare nunca una manguera de pintura. Reemplácela por otra manguera de alta presión conectada a tierra.
- Todas las mangueras, soportes giratorios y accesorios deben tener una capacidad de presión de 3300 lb/pulg² / 23 MPa o mayor.
- No atomice en días con viento.
- Use ropa que evite el contacto de la pintura con la piel y el cabello.

Instrucciones para conectar a tierra

Los modelos eléctricos deben ser conectados a tierra. En caso de que ocurra un cortocircuito, la conexión a tierra reduce el riesgo de descarga eléctrica al proporcionar un hilo de escape para la corriente eléctrica. Este producto está equipado con un cable que tiene un hilo de conexión a tierra con un enchufe de conexión a tierra adecuado. El enchufe debe ser conectado a una toma que esté debidamente instalada y conectada a tierra, de acuerdo con todos los códigos y ordenanzas locales.

PELIGRO – Una instalación inapropiada del enchufe de conexión a tierra puede dar como resultado el que exista un riesgo de descarga eléctrica. Si es necesario reparar o reemplazar el cable o el enchufe, no conecte el hilo de conexión a tierra a ninguno de los terminales de hoja planos. El hilo con aislamiento que tiene la superficie exterior de color verde con franjas amarillas o sin ellas es el hilo de conexión a tierra que debe conectarse al terminal de conexión a tierra.

Verifique con un electricista o técnico de servicio cualificado si las instrucciones para realizar la conexión a tierra no le han quedado suficientemente claras, o si duda que el producto haya quedado conectado a tierra de manera adecuada. No modifique el enchufe que se proporciona. Si el enchufe no entra en la toma de corriente, pida a un electricista cualificado que instale la toma apropiada.

Este producto tiene una calificación de más de 15 amperios y debe utilizarse en un circuito que tenga una calificación nominal de 120 voltios, o el producto debe utilizarse en un circuito que tenga una calificación nominal de más de 120mvoltios, y está equipado en fábrica con un cable eléctrico y un enchufe específicos para permitir su conexión a un circuito eléctrico adecuado. Asegúrese de que el producto sea conectado a una toma que tenga la misma configuración que el enchufe. Con este producto no se debe utilizar ningún adaptador. Si el producto tiene que volverse a conectar para su uso en un circuito eléctrico de otro tipo, la reconexión debe ser realizada por personal de servicio cualificado.

⚠ PRECAUCIÓN

Utilice únicamente un cable de extensión de tres hilos que tenga un enchufe de conexión a tierra de 3 hojas y un receptáculo de tres ranuras que acepte el enchufe del producto. Asegúrese de que su cable de extensión esté en buen estado. Cuando utilice un cable de extensión, asegúrese de utilizar uno lo suficientemente fuerte como para transportar toda la corriente que va a necesitar su producto. Un cable menor originará una caída en la tensión de la línea, dando como resultado una pérdida de energía y un sobrecalentamiento. Para longitudes menores de 15 metros, deben utilizarse cables de extensión del calibre 12 AWG. Si se va a utilizar un cable de extensión en el exterior, debe estar marcado con el sufijo A-W después de la designación del tipo de cable. Por ejemplo, SJTW-A para indicar que el cable es apropiado para su uso en exteriores.

Seguridad del motor de gasolina

ADVERTENCIA

El escape del motor de esta unidad contiene productos químicos que el Estado de California reconoce que causan cáncer, defectos congénitos u otros daños a la reproducción.

1. Los motores Honda han sido diseñados para ofrecer un servicio seguro y fiable, si son manejados de acuerdo con las instrucciones. Lea y comprenda el Manual del Propietario de Honda antes de hacer funcionar el motor. Si no hace esto, podrían producirse lesiones personales o daños en el equipo.
2. Para evitar riesgos de incendio y proporcionar una ventilación adecuada, mantenga el motor como mínimo a 1 metro (tres pies) de edificios y de otros equipos durante su funcionamiento. No coloque objetos inflamables cerca del motor.
3. Los niños y los animales de compañía deben mantenerse alejados del área de trabajo, debido a la posibilidad de quemaduras producidas por los componentes calientes del motor o de daños producidos por el equipo al que haga funcionar el motor.
4. Conozca el modo de detener rápidamente el motor, y entienda el funcionamiento de todos los controles. No permita que nadie haga funcionar el motor sin las instrucciones adecuadas.
5. La gasolina es extremadamente inflamable y es explosiva en determinadas circunstancias.
6. Reabastézcase de combustible en una zona bien ventilada y con el motor apagado. No fume ni permita que haya llamas ni chispas en el área de reabastecimiento de combustible ni donde se almacene la gasolina.
7. No llene excesivamente el tanque de combustible. Tras repostar, asegúrese de que la tapa del tanque está adecuadamente cerrada y asegurada.
8. Tenga cuidado de no derramar combustible cuando realice el reabastecimiento. Los vapores del combustible o el combustible derramado pueden inflamarse. Si se derrama combustible, asegúrese de que el área esté seca antes de arrancar el motor.
9. Nunca haga funcionar el motor en un área cerrada o reducida. Los gases de escape contienen monóxido de carbono tóxico: su exposición puede causar la pérdida del conocimiento y puede originar la muerte.
10. El silenciador se calienta mucho durante el funcionamiento y permanece caliente durante un tiempo después de que el motor esté parado. Tenga cuidado de no tocar el silenciador mientras está caliente. Para evitar quemaduras graves o riesgos de incendio, deje que el motor se enfríe antes de transportarlo o almacenarlo en el interior.
11. Nunca transporte una unidad con gasolina en el tanque.

ADVERTENCIA

NO utilice este equipo para atomizar agua o ácido.

PRECAUCION

No levante el equipo por el mango del carro cuando realice su carga o descarga.

Etiquetas de advertencia

Su atomizador tiene las etiquetas de advertencia en inglés. Si requiere estas etiquetas en francés, alemán o español, o si requiere etiquetas adicionales en inglés, pídalas directamente a Speedflo de manera gratuita.

Nº de pieza	Idioma
313-771 313-784 313-1837	Inglés
313-1306 313-1307	Español
313-785 313-786	Francés
313-787 313-788	Alemán

Especificaciones

Unidad de gasolina

Galones por minuto (GPM)	1.7 (6.4 litros por minuto)
Ciclos por galón	55 (14.5 ciclos/litro)
Tamaños máximos de las puntas	1 pistola = .043" 2 pistolas = .033" 3 pistolas = .023" 4 pistolas = .019"
Presión máxima	3300 psi (23 MPa)
Potencia	Motor Honda de 5.5 CV, 4 tiempos, monocilíndrico, con válvulas en la culata y con alerta de aceite
Capacidad de combustible.....	0.97 galones norteamericanos (aproximadamente 3.5 y media de funcionamiento)
Compatible con disolventes halogenados.....	Si
Peso	139 libras (63 Kg.)
Filtro de pintura de entrada.....	malla 10 "separadora de piedras"
Filtro de pintura de salida	malla 50, 18 pulg.2
Entrada de la bomba.....	Rosca nominal del tubo (H) de 3/4"
Salida de la bomba	Rosca nominal del tubo (H) de 1/2" al filtro de pintura
Conexiones de la manguera del filtro de pintura	Diámetro nominal del tubo (M) 1/4" Rosca nominal del tubo (H) 3/8" (conectada)
Dimensiones	37 1/4" de largo (94.6 cm) x 26 3/4" de ancho (68 cm) x 35" de alto (89 cm)

Piezas mojadas de la sección de líquidos:

Hierro dúctil niquelado por reducción química, acero al carbono niquelado por reducción química, superficie cromada dura antidesgaste Severe Service 500™ registrada, acero inoxidable, carburo de wolframio, cuero impregnado en thiokol, polietileno de peso molecular ultra alto.

Unidad eléctrica

Galones por minuto (GPM)	1.25 (4.7 litros por minuto)
Ciclos por galón	55 (14.5 ciclos/litro)
Tamaños máximos de las puntas	1 pistola = .036" 2 pistolas = .026" 3 pistolas = .019"
Presión máxima	3300 psi (23 MPa)
Potencia	Motor DC de 2 CV, 115V 15.5A, protegido contra sobrecargas
Compatible con disolventes halogenados.....	Si
Peso	148 libras (67 Kg.)
Filtro de pintura de entrada.....	malla 10 "separadora de piedras"
Filtro de pintura de salida	malla 50, 18 pulg.2
Entrada de la bomba.....	Rosca nominal del tubo (H) de 3/4"
Salida de la bomba	1 Rosca nominal del tubo (H) de 1/2" al filtro de pintura
Conexiones de la manguera del filtro de pintura	Diámetro nominal del tubo (M) 1/4" Rosca nominal del tubo (H) 3/8" (conectada)
Dimensiones	37 1/4" de largo (94.6 cm) x 26 3/4" de ancho (68 cm) x 35" de alto (89 cm)

Piezas mojadas de la sección de líquidos:

Hierro dúctil niquelado por reducción química, acero al carbono niquelado por reducción química, superficie cromada dura antidesgaste Severe Service 500™ registrada, acero inoxidable, carburo de wolframio, cuero impregnado en thiokol, polietileno de peso molecular ultra alto.

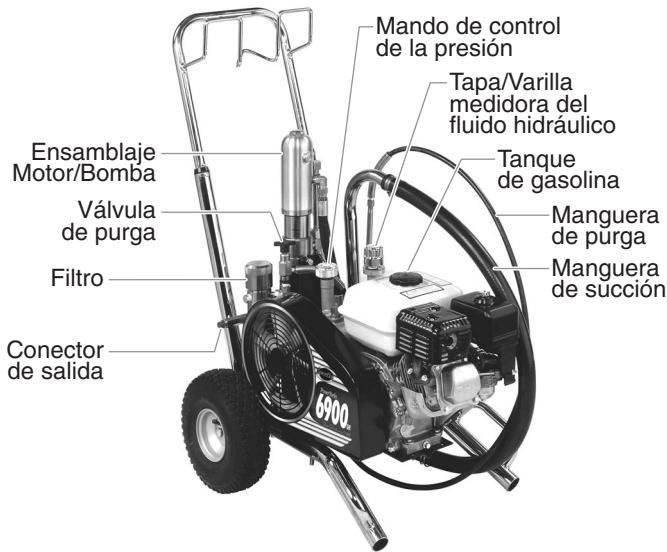


Introducción

Enhorabuena por haber seleccionado el mejor atomizador sin aire que existe en el mundo. Las bombas de pistón Speeflo son trabajadores incansables, tan duras que son prácticamente indestructibles incluso en las condiciones de uso más adversas. Speeflo diseña y construye equipos con una calidad y una fiabilidad superiores. Son equipos que duran años con un mantenimiento y un tiempo de inactividad mínimos. Este equipo rentabilizará su dinero año tras año. Le agradecemos su compra y le damos la bienvenida a nuestra gran familia de usuarios de Speeflo, que crece cada día.

La capacidad única de este Powrtwin para funcionar con gasolina o con energía eléctrica le ofrece la flexibilidad de poder trabajar en interiores o en exteriores donde no se dispone de electricidad.

El accionamiento hidráulico posibilita las bombas con el tiempo más largo y los ciclos más lentos del sector, lo que se traduce en un bajo mantenimiento y una mayor duración. Las unidades eléctricas operan silenciosamente sin arranques y paradas del motor.



Este PowrTwin está equipado con la bomba de fluido Severe Service 500™ de Speeflo. Esta tecnología le ofrece una vida útil para la varilla, el cilindro y la guarnición significativamente más larga que cualquier otro atomizador que se construye en el mundo. Esta bomba de pistón de doble rótula emplea un diseño fiable y duradero probado por la experiencia. Todas las bombas utilizan un grueso cromado duro en las piezas de la varilla y el cilindro. Este proceso de revestimiento es más duro que la nitración, el acero inoxidable o el cromado duro utilizado por cualquier otro fabricante de bombas de pintura, y mucho más resistente a la abrasión. Las piezas muy pulidas reducen la fricción, aumentan la vida de la guarnición y evitan daños por corrosión y abrasión. Más de 100.000 de estas bombas están en funcionamiento en todo el mundo.

Este PowrTwin ofrece otras características que abaratan el coste:

- Control de presión anticongelante
- Elección de la energía – gasolina, electricidad o ambas
- Asientos de la válvula de carburo de wolframio
- Guarniciones autorreguladas
- Válvula de pie giratoria apretada a mano exclusiva
- Filtro de pintura dentro de la tubería de gran capacidad
- Compatible con solución acuosa
- Válvula de purga de presión de “bola flotante”
- Los ensamblajes de la manguera de succión y de la tubería de purga de 19 litros (5 galones) son estándar

Ha realizado una excelente elección. Sabemos que estará satisfecho con su nuevo PowrTwin. Gracias de nuevo por elegir a Speeflo. Sabemos valorar su negocio.

Funcionamiento

Abastecimiento de combustible (motor de gasolina)

⚠ ADVERTENCIA

La gasolina es extremadamente inflamable y es explosiva en determinadas circunstancias.

- Apague SIEMPRE el motor antes de realizar el reabastecimiento.
- Realice el reabastecimiento en una zona bien ventilada.
- No fume ni permita que haya llamas ni chispas en el área de reabastecimiento de combustible ni donde se almacene la gasolina.
- No llene excesivamente el tanque de combustible. Tras repostar, asegúrese de que la tapa del tanque está adecuadamente cerrada y asegurada.
- Tenga cuidado de no derramar combustible cuando realiza el reabastecimiento. El combustible derramado o el vapor del combustible pueden inflamarse. Si se derrama combustible, asegúrese de que el área está seca antes de arrancar el motor.
- Evite el contacto prolongado o repetido con la piel, o respirar los vapores.
- Mantener fuera del alcance de los niños.

Especificaciones del combustible

- Utilice gasolina para automóviles que tenga un índice de octano en la bomba de 86 o más, o que tenga un índice de octano-investigación de 91 o más. El uso de una gasolina de menos octanos puede causar un persistente “picado” o “autoencendido” fuerte (un ruido metálico de golpes) que, si es grave, puede llegar a dañar el motor.

NOTA: Si el “autoencendido” o “picado” se produce a una velocidad constante del motor en condiciones de carga normal, cambie de marca de gasolina. Si el autoencendido o picado persiste, consulte a un distribuidor autorizado del fabricante del motor. No hacerlo se considera uso indebido, y los daños causados por la mala utilización no están cubiertos por la garantía limitada del fabricante del motor.

Ocasionalmente, es posible que experimente ligeros “autoencendidos” cuando opera en condiciones de carga fuertes. No hay motivo para preocuparse, sólo significa que su motor está funcionando eficazmente.

- El combustible sin plomo produce menos depósitos en el motor y en las bujías y prolonga la vida de los componentes del sistema de escape.
- Nunca utilice gasolina deteriorada o contaminada ni una mezcla de aceite y gasolina. Evite introducir suciedad, polvo o agua en el tanque de combustible.

Gasolinas que contienen alcohol

Si decide utilizar una gasolina que contiene alcohol (gasohol), asegúrese de que su calificación en octanos es como mínimo tan alta como la recomendada por el fabricante del motor.

Existen dos tipos de “gasohol”: uno contiene etanol, y el otro contiene metanol. No utilice gasohol que contenga más del 10% de etanol. No utilice gasolina que contenga metanol (alcohol metílico o de madera) que no contenga también co-disolventes e inhibidores de la corrosión para el metanol. Nunca utilice gasolina que contenga más del 5% de metanol, incluso si tiene co-disolventes e inhibidores de la corrosión.

NOTA: Los daños en el sistema de combustible o los problemas de rendimiento del motor producidos como resultado del uso de combustibles que contengan alcohol no están cubiertos por la garantía. El fabricante del motor no puede respaldar el uso de combustibles que contengan metanol, ya que las evidencias de su adecuación son incompletas en estos momentos.

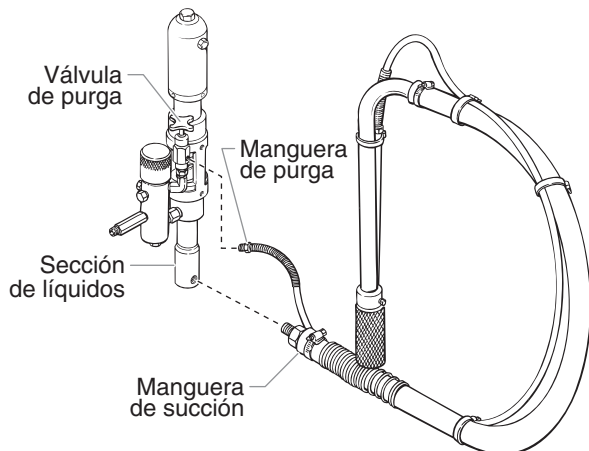
Antes de comprar gasolina en una gasolinera que no le sea familiar, trate de averiguar si la gasolina contiene alcohol. Si es así, confirme el tipo de alcohol utilizado y su porcentaje. Si advierte alguna característica no deseada en el funcionamiento mientras utiliza una gasolina que contenga alcohol, o que usted piensa que contiene alcohol, cambie a una gasolina que sepa que no contiene alcohol.

Configuración

⚠ ADVERTENCIA

Lea, comprenda y siga todas las advertencias antes de arrancar o hacer funcionar este atomizador.

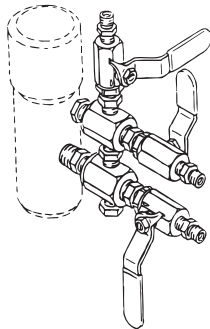
1. Conecte la manguera de succión a la sección de líquidos y la manguera de purga a la válvula de purga. Cada una de ellas cuenta con una cinta de UVØØ instalada en fábrica en el extremo macho de las mangueras, y deben ser ajustadas con una llave de tuercas.



2. Conecte un mínimo de 15 metros (50 pies) de manguera rociadora sin aire de nylon a la unidad. No utilice cinta de UVØØ ni compuesto obturador de tuercas en la conexión de la manguera de rociado.
3. Conecte una pistola rociadora sin aire a la manguera rociadora. No conecte todavía la punta a la pistola rociadora. Retire la punta si está conectada.
 - a. Para utilizar dos pistolas, retire la clavija de la salida de la segunda pistola situada en el ensamblaje del filtro. Conecte una manguera y una pistola a la salida.

NOTA: La unidad de gasolina está diseñada para manejar hasta 4 pistolas con puntas de 0.019" y la unidad eléctrica está diseñada para manejar hasta tres pistolas con puntas de 0.019". Para el funcionamiento de varias pistolas, conecte un distribuidor para varias pistolas a la salida para una pistola. Conecte una manguera y una pistola a cada salida. Asegúrese de que la salida de la segunda pistola permanece conectada.

Distribuidor para varias pistolas



4. Rellene el recipiente de aceite hasta la mitad con el lubricante para pistones Speeflo Piston Lube (P/N 700-925) suministrado por la fábrica. Esto aumentará la vida de la guarnición.
5. Compruebe diariamente el nivel del fluido hidráulico antes de encender la unidad. El nivel del fluido eléctrico debe estar en la marca "Full" (lleno) de la varilla medidora. Consulte la sección Mantenimiento de este manual para ver las instrucciones acerca del mantenimiento del sistema hidráulico.

⚠ PRECAUCION

Es obligatorio el uso del fluido hidráulico Coolflo™ de Speeflo en el sistema hidráulico. No utilice ningún otro fluido hidráulico. El uso de cualquier otro fluido hidráulico puede dañar gravemente el sistema hidráulico y anulará la garantía.

6. Para los modelos de gasolina, compruebe diariamente el nivel de aceite antes de encender la unidad. El nivel de aceite del motor de gasolina está determinado por el fabricante del motor. Consulte el manual de servicio del fabricante del motor suministrado con esta unidad.
7. Para los modelos eléctricos, utilice una toma de servicio de 20 amp. Coloque siempre el modelo eléctrico dentro de una distancia de 3 a 4 metros y medio (10 a 15 pies) de la toma de servicio. Utilice un cable eléctrico corto y una manguera de pintura larga. Todo cable de extensión creará alguna caída de la tensión. Si es necesario un cable de extensión, utilice únicamente un cable de extensión de tres hilos con conexión a tierra del nº 12.

NOTA: Si la unidad está funcionando en un área que está sobrecargada por otros aparatos o con condiciones de baja tensión, es importante arrancar la unidad "descargada". Incline hacia adelante el motor eléctrico de modo que la correa se suelte y el motor arranque sin la carga completa. Esto reduce el arrastre del amperaje en el arranque y puede evitar que se dispare el interruptor automático.

8. Asegúrese de que la unidad está conectada a tierra. Todas las unidades están equipadas con un terminal de tierra. Debe utilizarse un cable de conexión a tierra (no suministrado) para conectar la unidad a una verdadera masa de tierra. Compruebe sus regulaciones eléctricas locales para unas detalladas instrucciones de conexión a tierra. Vea la sección Accesorios y Juegos de Mantenimiento situada al final de este manual para ver la información acerca del pedido de cables de conexión a tierra.

⚠ ADVERTENCIA

Es importante una adecuada conexión a tierra. Esto es aplicable tanto a los modelos de gasolina como a los eléctricos. El paso de algunos materiales a través de la manguera de fluido de nylon creará una carga eléctrica estática, que de ser descargada puede encender los vapores del disolvente presentes y originar una explosión.

9. Filtre todas las pinturas con un filtro de nylon para garantizar un funcionamiento sin problemas y no tener que limpiar frecuentemente la malla de entrada y el filtro de la pistola.
10. Asegúrese de que el área de atomización está bien ventilada para evitar un funcionamiento peligroso con los disolventes volátiles y los humos de escape.

⚠ ADVERTENCIA

Si se va a atomizar laca u otros materiales inflamables, sitúe SIEMPRE la unidad fuera del área de atomización inmediata. Si no lo hace, puede producirse una explosión.

11. Coloque la unidad fuera del área de atomización inmediata para evitar la obstrucción de la toma de aire del motor o del motor eléctrico con el exceso de atomización.

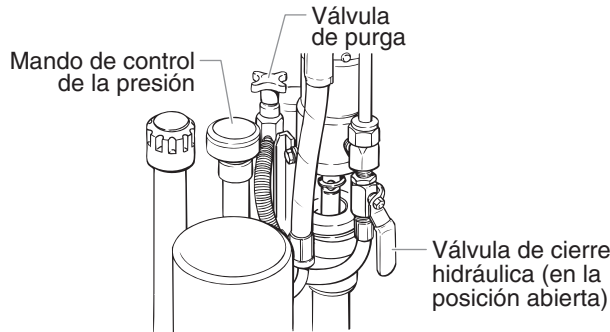
Preparación de un rociador nuevo

Si esta unidad es nueva, se envía con un líquido de prueba en la sección de líquidos para evitar la corrosión durante el envío y el almacenamiento. Este líquido debe retirarse completamente del sistema con alcoholes minerales antes de comenzar a rociar.

PRECAUCION

Mantenga siempre el seguro del gatillo de la pistola rociadora en posición bloqueada mientras prepara el sistema.

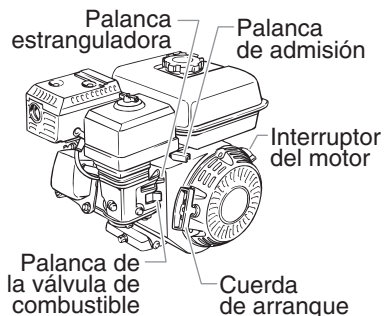
1. Coloque el tubo de succión en un recipiente de alcoholes minerales.
2. Coloque la manguera de purga en un recipiente metálico para desecho.
3. Fije la presión al mínimo girando el mando de control de presión en sentido contrario a las agujas del reloj hasta el final.



4. Abra la válvula de cierre hidráulica situada en la manguera de presión hidráulica. El mango debe estar alineado con la manguera.
5. Abra la válvula de purga girándola totalmente en sentido contrario a las agujas del reloj.
6. Arranque el motor de gasolina o encienda el motor eléctrico.

a. Para arrancar el motor de gasolina,

- mueva la palanca de la válvula de combustible hasta la posición de apertura,
- mueva la palanca de admisión hasta su punto medio,
- mueva la palanca estranguladora hasta la posición de cierre si el motor está frío o a la posición de apertura si el motor está caliente,
- sitúe el interruptor del motor en la posición ON (encendido), y
- tire enérgicamente de la cuerda de arranque hasta que el motor arranque.



b. Para encender el motor eléctrico, mueva el interruptor ON/OFF (ENCENDIDO/APAGADO) hasta la posición ON (ENCENDIDO).

7. Gire el mando de control de presión en el sentido de las agujas del reloj aproximadamente 1/3 de parte de su recorrido para aumentar la presión hasta que el rociador gire de un modo uniforme y el disolvente fluya libremente desde la manguera de purga.
8. Deje que el rociador funcione durante unos 15 a 30 segundos para hacer salir el líquido de prueba a través de la manguera de purga hasta llegar al contenedor de residuos.
9. Apague la unidad.
 - a. Para apagar el motor de gasolina,
 - fije la presión al mínimo girando el mando de control de presión en sentido contrario a las agujas del reloj hasta el final,

- b. Para apagar el motor eléctrico,
 - fije la presión al mínimo girando el mando de control de presión en sentido contrario a las agujas del reloj hasta el final,
 - mueva el interruptor ON/OFF a la posición OFF (apagado).

Preparación para pintar

Antes de pintar, es importante revisar que el líquido del sistema sea compatible con la pintura que va a utilizar.

NOTA: Los líquidos y pinturas incompatibles pueden hacer que se atasquen las válvulas hasta cerrarse, lo cual puede requerir que se desmonte y limpie la sección de líquidos del rociador.

PRECAUCION

Mantenga siempre el seguro del gatillo de la pistola rociadora en posición bloqueada mientras prepara el sistema.

1. Coloque el tubo de succión en un recipiente con el disolvente adecuado.

NOTA: Si va a rociar látex con base de agua, enjuague con agua caliente y limpia. Si va a usar otro material, pregunte al fabricante del material por un disolvente compatible.

2. Coloque la manguera de purga en un recipiente metálico para desecho.
3. Fije la presión al mínimo girando el mando de control de presión en sentido contrario a las agujas del reloj hasta el final.
4. Abra la válvula de cierre hidráulica situada en la manguera de presión hidráulica. El mango debe estar alineado con la manguera.
5. Abra la válvula de purga girándola totalmente en sentido contrario a las agujas del reloj.
6. Arranque el motor de gasolina o encienda el motor eléctrico.
 - a. Para arrancar el motor de gasolina,
 - mueva la palanca de la válvula de combustible hasta la posición de apertura,
 - mueva la palanca de admisión hasta su punto medio,
 - mueva la palanca estranguladora hasta la posición de cierre si el motor está frío o a la posición de apertura si el motor está caliente,
 - sitúe el interruptor del motor en la posición ON (encendido), y
 - tire enérgicamente de la cuerda de arranque hasta que el motor arranque.
 - b. Para encender el motor eléctrico, mueva el interruptor ON/OFF (ENCENDIDO/APAGADO) hasta la posición ON (ENCENDIDO).
7. Gire el mando de control de presión en el sentido de las agujas del reloj aproximadamente 1/3 de parte de su recorrido para aumentar la presión hasta que el rociador gire de un modo uniforme y el disolvente fluya libremente desde la manguera de purga.
8. Deje que el rociador funcione durante unos 15 a 30 segundos para hacer salir el líquido de prueba a través de la manguera de purga hasta llegar al contenedor de residuos.
9. Apague la unidad.
 - a. Para apagar el motor de gasolina,
 - fije la presión al mínimo girando el mando de control de presión en sentido contrario a las agujas del reloj hasta el final,
 - mueva la palanca de admisión hasta la posición lenta, y

- sitúe el interruptor del motor en la posición OFF (apagado).
- b. Para apagar el motor eléctrico,
- fije la presión al mínimo girando el mando de control de presión en sentido contrario a las agujas del reloj hasta el final,
 - mueva el interruptor ON/OFF a la posición OFF (apagado).

NOTA: Asegúrese de que la pistola rociadora no tenga instalada una punta ni una protección de punta.

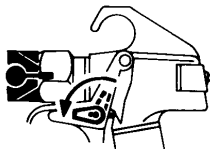
10. Cierre la válvula de purga girándola totalmente en el sentido de las agujas del reloj.
11. Arranque el motor de gasolina o encienda el motor eléctrico.
12. Gire el mando de control de presión en el sentido de las agujas del reloj aproximadamente en 1/3 de su recorrido para aumentar la presión.
13. Desbloquee la pistola girando el seguro del gatillo de la pistola a la posición liberada.

⚠ ADVERTENCIA

Conecte a tierra la pistola apoyándola contra el borde del recipiente de metal mientras elimina el líquido. De lo contrario puede provocar la descarga de electricidad estática, la cual a su vez puede ocasionar un incendio.



14. Apriete el gatillo en el recipiente de metal para desecho hasta que desaparezca el disolvente usado y empiece a salir disolvente limpio de la pistola.
15. Bloquee la pistola girando el seguro del gatillo de la pistola a la posición bloqueada.
16. Deje hacia abajo la pistola y aumente la presión girando el mando de control lentamente en el sentido de las agujas del reloj.
17. Revise todo el sistema en busca de fugas. Si se producen fugas, siga el "Procedimiento para Aliviar la Presión" en este manual antes de apretar conectores o mangueras.
18. Siga el "Procedimiento para Aliviar la Presión" en este manual antes de cambiar de disolvente a pintura.



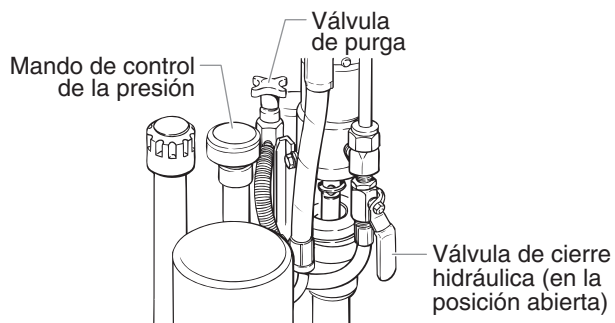
Bloquee la pistola girando el seguro del gatillo de la pistola a la posición bloqueada.

⚠ ADVERTENCIA

Asegúrese de seguir el procedimiento para aliviar la presión cuando apague la unidad para cualquier fin, incluyendo el servicio o ajuste de cualquier pieza del sistema de rociado, el cambio o la limpieza de las puntas rociadoras o la preparación para la limpieza.

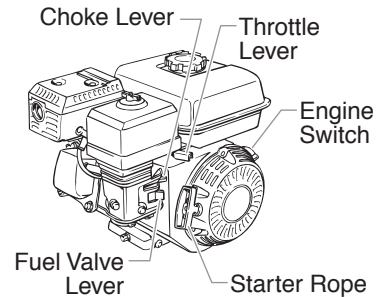
Pintura

1. Coloque el tubo de succión en un recipiente de pintura.
2. Coloque la manguera de purga en un recipiente metálico para desecho.
3. Fije la presión al mínimo girando el mando de control de presión en sentido contrario a las agujas del reloj hasta el final.



4. Abra la válvula de cierre hidráulica situada en la manguera de presión hidráulica. El mango debe estar alineado con la manguera.
5. Abra la válvula de purga girándola totalmente en sentido contrario a las agujas del reloj.
6. Arranque el motor de gasolina o encienda el motor eléctrico.

- a. Para arrancar el motor de gasolina,
- mueva la palanca de la válvula de combustible hasta la posición de apertura,
 - mueva la palanca de admisión hasta su punto medio,
 - mueva la palanca estranguladora hasta la posición de cierre si el motor está frío o a la posición de apertura si el motor está caliente,
 - sitúe el interruptor del motor en la posición ON (encendido), y
 - tire enérgicamente de la cuerda de arranque hasta que el motor arranque.



- b. Para encender el motor eléctrico, mueva el interruptor ON/OFF (ENCENDIDO/APAGADO) hasta la posición ON (ENCENDIDO).
7. Gire el mando de control de presión en el sentido de las agujas del reloj aproximadamente 1/3 de parte de su recorrido para aumentar la presión hasta que el rociador gire de un modo uniforme y la pintura fluya libremente desde la manguera de purga.
 8. Apague la unidad.
 - a. Para apagar el motor de gasolina,
 - fije la presión al mínimo girando el mando de control de presión en sentido contrario a las agujas del reloj hasta el final,
 - mueva la palanca de admisión hasta la posición lenta, y
 - sitúe el interruptor del motor en la posición OFF (apagado).
 - b. Para apagar el motor eléctrico,
 - fije la presión al mínimo girando el mando de control de presión en sentido contrario a las agujas del reloj hasta el final,
 - mueva el interruptor ON/OFF a la posición OFF (apagado).

9. Retire la manguera de purga del contenedor de residuos y colóquela dentro del recipiente de pintura.
10. Cierre la válvula de purga girándola totalmente en el sentido de las agujas del reloj.
11. Arranque el motor de gasolina o encienda el motor eléctrico.
12. Gire el mando de control de presión en el sentido de las agujas del reloj aproximadamente en 1/3 de su recorrido para aumentar la presión.
13. Desbloquee la pistola girando el seguro del gatillo de la pistola a la posición liberada.

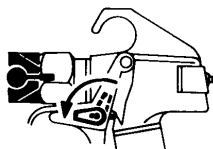
⚠ ADVERTENCIA

Conecte a tierra la pistola apoyándola contra el borde del recipiente de metal mientras elimina el líquido. De lo contrario puede provocar la descarga de electricidad estática, la cual a su vez puede ocasionar un incendio.



14. Apriete el gatillo en el recipiente metálico para desecho hasta que todo el aire y el disolvente usado salga de la manguera rociadora y comience a salir pintura libremente de la pistola.

15. Bloquee la pistola girando el seguro del gatillo de la pistola a la posición bloqueada.
16. Apague la unidad.
17. Coloque la protección y la punta en la pistola según se indica en los manuales de las mismas.



Bloquee la pistola girando el seguro del gatillo de la pistola a a posición bloqueada

⚠️ ADVERTENCIA

POSIBLE PELIGRO DE INYECCIÓN. No rocíe sin la protección de la punta en su lugar. Nunca apriete el gatillo de la pistola a menos que la punta esté en la posición de rociado o desatasco. Coloque siempre el seguro del gatillo de la pistola antes de retirar, reemplazar o limpiar la punta.

18. Arranque el motor de gasolina o encienda el motor eléctrico.
19. Aumente la presión girando el mando de control de presión lentamente en el sentido de las agujas del reloj y pruebe el patrón de rociado en un trozo de cartón. Ajuste el mando de control de presión hasta que la pistola rocíe de forma completamente atomizada.

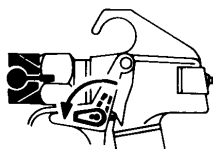
NOTA: Si sube la presión más de lo necesario para atomizar la pintura causará el desgaste prematuro de la punta y rociará en exceso.

Procedimiento para aliviar la tensión

⚠️ ADVERTENCIA

Asegúrese de seguir el procedimiento para aliviar la presión cuando apague la unidad para cualquier fin, incluyendo el servicio o ajuste de cualquier pieza del sistema de rociado, el cambio o la limpieza de las puntas rociadoras o la preparación para la limpieza.

1. Bloquee la pistola girando el seguro del gatillo de la pistola a la posición bloqueada.



Bloquee la pistola girando el seguro del gatillo de la pistola a a posición bloqueada

2. Apague la unidad.
 - a. Para apagar el motor de gasolina,
 - fije la presión al mínimo girando el mando de control de presión en sentido contrario a las agujas del reloj hasta el final,
 - mueva la palanca de admisión hasta la posición lenta, y
 - sitúe el interruptor del motor en la posición OFF (apagado).
 - b. Para apagar el motor eléctrico,
 - fije la presión al mínimo girando el mando de control de presión en sentido contrario a las agujas del reloj hasta el final,
 - mueva el interruptor ON/OFF a la posición OFF (apagado).
3. Cierre la válvula de cierre hidráulica situada en la manguera de presión hidráulica.
4. Desbloquee la pistola girando el seguro del gatillo de la pistola a la posición liberada.
5. Sostenga la parte metálica de la pistola firmemente contra el lado de un recipiente metálico de desecho para conectar a tierra la pistola y evitar la acumulación de electricidad estática.
6. Accione el gatillo de la pistola para aliviar toda presión que haya quedado en la manguera.
7. Bloquee la pistola girando el seguro del gatillo de la pistola a la posición bloqueada.
8. Coloque la manguera de purga en el recipiente metálico para desecho.
9. Abra la válvula de purga girándola totalmente en sentido contrario a las agujas del reloj.



Limpieza

⚠️ ADVERTENCIA

Instrucciones de limpieza especiales para usar con disolventes inflamables:

- Siempre lave la pistola rociadora preferiblemente en el exterior y alejada por lo menos el largo de una manguera de la bomba rociadora.
- Si recoge los disolventes lavados en un recipiente de metal de 3.7 litros (1 galón), colóquelo en un recipiente vacío de 19 litros (5 galones) y luego lave los disolventes.
- El área debe estar libre de vapores inflamables.
- Siga todas las instrucciones de limpieza.

⚠️ PRECAUCION

El rociador, la manguera y la pistola deben lavarse a conciencia después del uso diario. De lo contrario, se permite la acumulación de material, afectando seriamente el rendimiento de la unidad.

⚠️ ADVERTENCIA

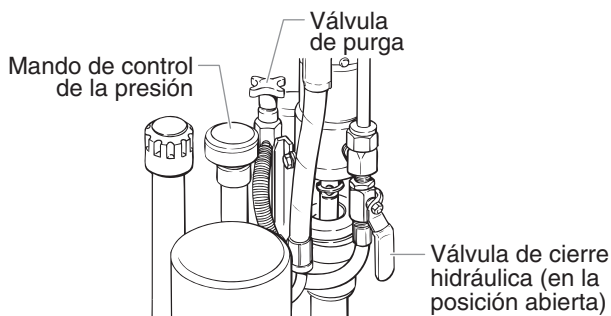
Siempre rocíe con la presión mínima y sin la boquilla de la pistola al utilizar alcoholes minerales u otros disolventes para limpiar el rociador, la manguera o la pistola. La acumulación de electricidad estática puede producir un incendio o explosión en presencia de vapores inflamables.

1. Siga el "Procedimiento de Alivio de Presión" de la sección Funcionamiento de este manual.
2. Retire la punta y la protección y límpielas con un cepillo utilizando el disolvente adecuado.
3. Coloque el tubo de succión en un recipiente con el disolvente adecuado.

⚠️ PRECAUCION

Utilice únicamente disolventes compatibles cuando limpie esmaltes a base de aceite, lacas, alquitrán mineral y epoxis. Consulte al fabricante del fluido por el disolvente recomendado.

4. Coloque la manguera de purga en un recipiente metálico para desecho.
5. Fije la presión al mínimo girando el mando de control de presión en sentido contrario a las agujas del reloj hasta el final.



6. Abra la válvula de cierre hidráulica situada en la manguera de presión hidráulica. El mango debe estar alineado con la manguera.
7. Abra la válvula de purga girándola totalmente en sentido contrario a las agujas del reloj.
8. Arranque el motor de gasolina o encienda el motor eléctrico.
9. Deje que el disolvente circule a través de la unidad y enjuague la pintura de la manguera de purga hacia el recipiente metálico para desecho.
10. Apague la unidad.

11. Cierre la válvula de purga girándola totalmente en el sentido de las agujas del reloj.
12. Arranque el motor de gasolina o encienda el motor eléctrico.

⚠ ADVERTENCIA

Conecte a tierra la pistola apoyándola contra el borde del recipiente de metal mientras elimina el líquido. De lo contrario puede provocar la descarga de electricidad estática, la cual a su vez puede ocasionar un incendio.



13. Apriete el gatillo de la pistola en el recipiente metálico para desecho hasta que se haya purgado toda la pintura de la manguera y salga disolvente de la pistola.
14. Continúe apretando el gatillo de la pistola rociadora en el recipiente de desecho hasta que el disolvente que sale por la pistola esté sin pintura.

NOTA: Para el almacenamiento a largo plazo o en temperaturas frías, haga pasar alcoholes minerales a través del sistema completo.

15. Siga el "Procedimiento de Alivio de Presión" de la sección Funcionamiento de este manual.
16. Almacene la unidad en un lugar limpio y seco.

⚠ PRECAUCION

No almacene la unidad bajo presión.

Limpieza de una punta obstruida

1. Siga el "Procedimiento de Alivio de Presión" de la sección Funcionamiento de este manual.
2. Si la punta se obstruye, gire el mango de la punta 180° hasta que la flecha situada en el mango apunte el lado contrario a la dirección de rociado y el mango encaje en la posición opuesta.
3. Apriete el gatillo de pistola una vez de modo de que la presión pueda eliminar la obstrucción. NUNCA utilice la punta en la posición opuesta durante más de UNA presión del gatillo cada vez. Este procedimiento puede repetirse hasta que la punta no esté obstruida.

⚠ ADVERTENCIA

El flujo de la punta de rociado tiene una presión muy alta. El contacto con cualquier parte del cuerpo puede ser peligroso. No coloque los dedos en la salida de la pistola. No apunte con la pistola a ninguna persona. Nunca haga funcionar la pistola de rociado sin la protección de la punta adecuada.

Mantenimiento

⚠ ADVERTENCIA

Antes de continuar, siga el Procedimiento de Alivio de Presión presentado anteriormente en este manual. Además siga todas las otras advertencias para reducir el riesgo de lesiones por inyección, lesiones causadas por piezas móviles o descargas eléctricas. ¡Desenchufe siempre el rociador antes de darle servicio!

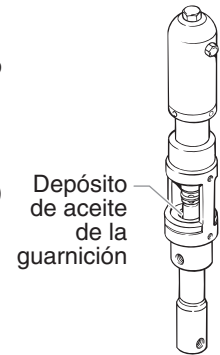
Mantenimiento diario

Para el mantenimiento rutinario de esta unidad por parte del operario son necesarios dos procedimientos diarios:

1. Lubricación de las garniciones.
2. Limpieza del separador de piedras

Lubricación de las garniciones superiores

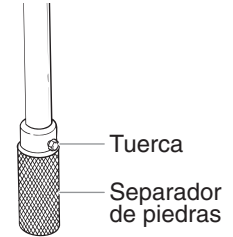
1. Limpie la pintura que haya sobrepasado las garniciones superiores y haya llegado al depósito de aceite de la garnición situado sobre la sección de líquidos.
2. Rellene el depósito de aceite de la garnición hasta la mitad con lubricante para pistones (P/N 700-925) suministrado por la fábrica. Esto aumentará la vida de la garnición.



NOTA: No llene excesivamente el depósito de modo que rebese y se escurra hasta la pintura.

Limpieza del separador de piedras

1. El separador de piedras se obstruirá y deberá ser limpiado una vez al día.
2. Afloje la tuerca que asegura el separador de piedras al tubo de succión.
3. Retire el separador de piedras de la parte inferior del tubo de succión.
4. Límpiolo a fondo con el disolvente adecuado.



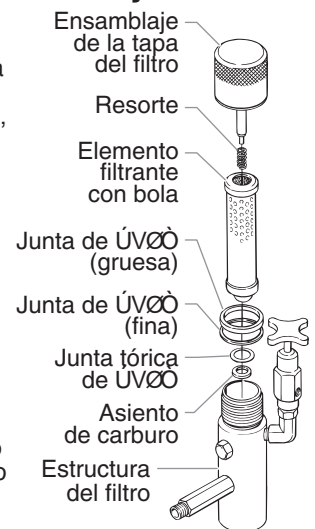
Mantenimiento del ensamblaje del filtro

Limpie el filtro con regularidad. Los filtros sucios u obstruidos pueden reducir en gran medida la capacidad de filtrado y originar diversos problemas en el sistema, incluyendo malos patrones de rociado, puntas de rociado obstruidas, etc.

Limpieza

Para limpiar el filtro, realice el siguiente procedimiento.

1. Siga el "Procedimiento de Alivio de Presión" de la sección Funcionamiento de este manual.
2. Retire el ensamblaje de la tapa del filtro y el resorte.
3. Tire hacia fuera del elemento filtrante con bola para sacarlo de la estructura del filtro.
4. Limpie la parte interior de la estructura del filtro, el elemento filtrante con bola y el ensamblaje de la tapa del filtro con el disolvente adecuado.



NOTA: Tenga cuidado al manipular las piezas, ya que el polvo, la suciedad, los arañazos o las muescas pueden hacer que las juntas tóricas o las juntas no sellen.

Este elemento filtrante realiza el filtrado desde dentro hacia afuera. Asegúrese de limpiar el elemento filtrante a fondo en su interior. Remójelo en disolvente para soltar la pintura endurecida o reemplácelo.

Inspección

Inspeccione todas las piezas del ensamblaje del filtro antes de volver a ensamblarlo.

1. Inspeccione la bola situada en el interior del elemento filtrante. Si la bola tiene cortes o arañazos causados por la presión, reemplace el elemento filtrante.
 - a. Si la bola está cortada, retire la junta tórica de ÚVØØ utilizando una herramienta para juntas tóricas y retire el asiento de carburo.
 - b. Compruebe el asiento en busca de muescas o hendiduras. Si el asiento está dañado, reemplácelo.

NOTA: La retirada de la junta tórica de DH: 9 dañará a la misma y deberá ser reemplazada.

2. Retire el resorte de la guía del resorte de la tapa del filtro.
 - a. Mida la longitud del resorte sin comprimir. Si mide menos de 1.9 cm. (3/4") de un extremo a otro, reemplácelo.
 - b. Vuelva a colocar el resorte en la guía del resorte hasta que "haga un chasquido" en su posición.
3. Inspeccione la dos juntas de $\text{UV}\emptyset$ y la junta tórica de PTFE en busca de deformidades, muescas o cortes. Reemplácelas si fuese necesario.

NOTA: Las juntas de DH: 9, la junta tórica de DH: 9 y el resorte están incluidos en el Juego de Servicio del Filtro P/N 930-050.

Reensamblaje

Tras limpiar e inspeccionar todas las piezas, vuelva a ensamblar el filtro.

1. Sitúe el asiento de carburo en la estructura del filtro. Asegúrese de que el lado biselado del asiento está mirando hacia arriba.
2. Sitúe la junta tórica de $\text{UV}\emptyset$ en la hendidura situada en el diámetro exterior del asiento de carburo.
3. Coloque el elemento filtrante con bola dentro de la estructura del filtro.

NOTA: La parte superior e inferior del elemento filtrante con bola son idénticas.

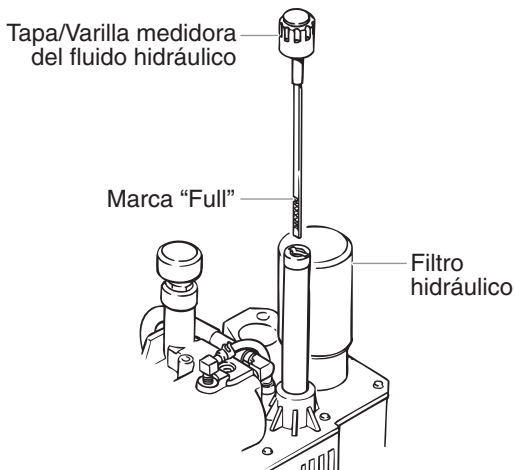
4. Vuelva a colocar el resorte en la guía del resorte de la tapa del filtro hasta que "haga un chasquido" en su posición, si no lo ha hecho ya.
5. Coloque la junta de $\text{UV}\emptyset$ fina en el paso situado en la parte superior de la estructura del filtro.
6. Coloque la junta de $\text{UV}\emptyset$ gruesa en la parte superior de la junta fina.
7. Asegure el ensamblaje de la tapa del filtro sobre la estructura del filtro.

Mantenimiento del sistema hidráulico

⚠ PRECAUCIÓN

Es obligatorio el uso del fluido hidráulico Coolflo™ de Speeflo en el sistema hidráulico PowrTwin. No utilice ningún otro fluido hidráulico. El uso de cualquier otro fluido hidráulico puede dañar gravemente el sistema hidráulico y anulará la garantía.

1. Compruebe el fluido hidráulico diariamente. Debe estar en la marca "Full" (lleno) en la varilla medidora. Si está más bajo, añada únicamente fluido hidráulico Speeflo Coolflo™ (P/N 430-361). Nunca añada ni cambie el fluido hidráulico en áreas que no estén limpias y libres de polvo. La contaminación del fluido hidráulico acortará la vida de la bomba hidráulica y puede anular la garantía.



2. Cambie el fluido hidráulico cada doce meses. Vacíe el líquido antiguo del tanque y llénelo con 5 litros de fluido hidráulico Speeflo Coolflo™. Encienda la unidad con la presión justa para hacer funcionar la sección de líquidos. Haga funcionar la unidad a esta baja presión durante al menos 5 minutos. Esto elimina el aire del sistema. Tras este procedimiento, compruebe el nivel del líquido.
3. El sistema hidráulico cuenta con un filtro hidráulico externo reemplazable. Cambie el filtro cada doce meses.
4. La bomba hidráulica no debe recibir servicio en el campo. Si es necesario el servicio de la bomba hidráulica, debe ser enviada de vuelta a Speeflo.

Mantenimiento de la sección de líquidos

Si el rociador va a estar fuera de servicio durante un periodo de tiempo prolongado, se recomienda introducir como conservador, después de la limpieza, una mezcla de keroseno y aceite. Las guarniciones tienden a secarse debido a la falta de uso. Esto es especialmente cierto para el conjunto de la guarnición superior, para la que se recomienda el lubricante para guarniciones Piston Lube (P/N 700-925) en el uso normal.

Si el rociador ha estado fuera de servicio durante un periodo de tiempo prolongado, puede que sea necesario cebar la succión vertiendo disolvente de pintura en el tubo de succión para volver a arrancar. Es muy importante que las roscas del acoplamiento de la manguera de succión estén debidamente selladas. Cualquier fuga de aire producirá un funcionamiento errático del rociador y puede dañar el sistema. Los recorridos ascendente y descendente serán aproximadamente de la misma duración (uno no debe ser más rápido que el otro). Un recorrido ascendente o descendente rápido puede indicar la presencia de aire en el sistema o el mal funcionamiento de una válvula o de los asientos (ver la sección Solución de Problemas).

Mantenimiento básico del motor (motor de gasolina)

- Para un mantenimiento detallado del motor y sus especificaciones técnicas, consulte el manual independiente del motor de gasolina.
- Todo servicio realizado en el motor debe ser realizado por un distribuidor autorizado de Honda Power Equipment. Para localizar un distribuidor en su zona, busque en las Páginas Amarillas dentro de motores de gasolina, equipos y suministros de jardín, cortacéspedes, etc.
- El motor Honda está garantizado exclusivamente por American Honda Motor Co., Inc.
- Utilice un aceite para motor de primera calidad certificado para cumplir o superar los requisitos SG o SF de U.S. Automotive. Se recomienda SAE 10W30 para un uso general a todas las temperaturas. En otros climas pueden ser necesarias otras viscosidades.
- Utilice únicamente una bujía (NGK) BP6ES o BPR6E. Introduzca la bujía de 0.7 a 0.8 mm (0.028 a 0.031 pulgadas). Utilice siempre una llave para bujías.

Diariamente

1. Compruebe el nivel de aceite del motor, y rellene según sea necesario.
2. Compruebe el nivel de gasolina, y rellene según sea necesario.

⚠ ADVERTENCIA

Siga siempre el procedimiento para repostar expuesto con anterioridad en este manual.

Primeras 20 horas

1. Cambie el aceite del motor.

Cada 100 horas

1. Cambie el aceite del motor.
2. Limpie el recipiente de sedimentos.
3. Limpie y vuelva a colocar la bujía.
4. Limpie el amortiguador de chispas.

Semanalmente

1. Retire la tapa del filtro de aire y limpie el elemento. En ambientes con mucho polvo, compruebe el filtro diariamente. Reemplace el elemento cuando sea necesario. Los elementos de recambio pueden adquirirse en su distribuidor local de Honda.

Funcionamiento y servicio del motor

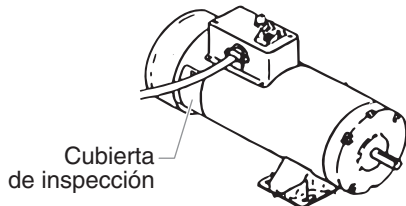
1. Limpie el filtro de aire y aceite del motor de gasolina cada 25 horas o una vez a la semana. No permita que la malla de la toma de aire situada alrededor del volante de inercia del motor de gasolina se cargue de pintura o suciedad. Límpiela regularmente. La vida útil y la eficacia del modelo de motor de gasolina dependen del correcto funcionamiento del mismo. Cambie el aceite del motor cada 100 horas. De lo contrario, el motor puede sobrecalentarse. Consulte el manual de servicio del fabricante del motor que se incluye.
2. Para preservar el combustible, la vida útil y la eficacia de la unidad, haga funcionar siempre el motor a las RPM más bajas a las que funcione suavemente sin esfuerzo y proporcione la fuerza necesaria para la operación de pintura en concreto. Unas RPM más altas no producen una mayor presión de trabajo. El motor de gasolina está conectado a la bomba hidráulica mediante una combinación de poleas diseñada para producir un suministro de pintura de 4.5 litros por minuto (1.2 GPM) a las máximas RPM.
3. La garantía para los motores de gasolina o eléctricos está limitada al fabricante original.

Reemplazo de las escobillas del motor (motor eléctrico)

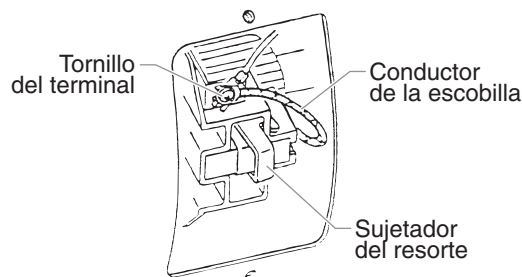
Realice este procedimiento usando el Juego de Escobillas del Motor P/N 978-050. El juego consta de dos escobillas, dos resortes y dos sujetadores.

NOTA: Las escobillas deben ser reemplazadas cuando estén desgastadas y midan menos de 1.2 cm. (1/2 pulgada). Compruebe y reemplace las dos escobillas al mismo tiempo.

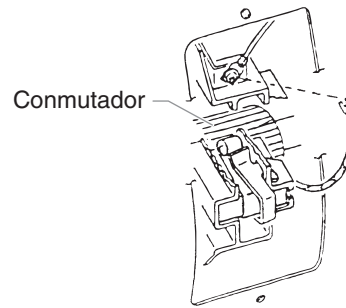
1. Retire las dos cubiertas de inspección del motor.



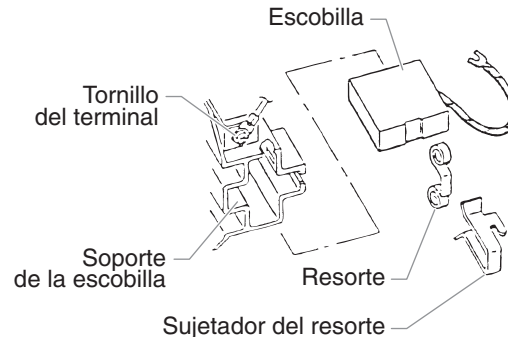
2. Apriete hacia dentro el sujetador del resorte para desengancharlo, y a continuación tire de él hacia afuera.



3. Afloje el tornillo del terminal. Separe el conductor de la escobilla, pero deje el conductor del motor en su lugar. Retire la escobilla y el resorte.
4. Inspeccione el conmutador en busca de quemaduras, excesiva corrosión o ranuras. El color negro del conmutador es normal.



5. Instale la nueva escobilla de modo que su conductor se deslice en la ranura larga del soporte de la escobilla. Empuje el terminal bajo la arandela del tornillo del terminal. Asegúrese de que el conductor del motor siga estando conectado al tornillo. Apriete el tornillo.



6. Coloque el resorte en la escobilla como se muestra más arriba. Empuje y enganche el sujetador del resorte. Repita este procedimiento para el otro lado.
7. Reinstale las dos cubiertas de inspección.

⚠ ADVERTENCIA

Si un motor eléctrico se sobrecarga y deja de funcionar, apague **INMEDIATAMENTE** el motor y siga el **Procedimiento de Alivio de Presión de la sección Limpieza de este manual**. Espere hasta que el motor se enfríe (aproximadamente 30 minutos). A continuación, pulse el botón de reinicio manual, encienda el motor y presurice el sistema.

Sólo para las unidades aprobadas por CSA: ¡El interruptor ON/OFF (ENCENDIDO/APAGADO) es también el BOTÓN DE REINICIO!

Solución de problemas

Pistola sin aire

Problema

La pistola escupe

Causa

1. Hay aire en el sistema
2. La pistola está sucia
3. Ensamblaje de la aguja desajustado
4. Asiento roto o picado

Solución

1. Inspeccione las conexiones en busca de fugas de aire.
2. Desmote y limpie
3. Inspeccione y ajuste.
4. Inspeccione y reemplace.

La pistola no se apaga

1. Aguja y asiento desgastados o rotos
2. Ensamblaje de la aguja desajustado
3. La pistola está sucia

1. Reemplace.
2. Ajuste.
3. Limpie.

La pistola no rocía

1. No hay pintura
2. Filtro o punta obstruidos
3. Aguja rota en la pistola

1. Verifique el suministro de líquido.
2. Limpie.
3. Reemplace.

Sección de líquidos

Problema

La bomba suministra únicamente en el recorrido ascendente o sube lentamente y baja rápidamente (normalmente se denomina caída en picado del recorrido descendente)

Causa

1. La bola de la válvula de pie inferior no está colocada en su sitio debido a suciedad o al desgaste
2. El material es demasiado viscoso para ser succionado.
3. Fuga de aire en el lado de succión o manguera de succión dañada. La succión puede ser demasiado pequeña para el material pesado.

Solución

1. Retire el ensamblaje de la válvula de pie Limpie e inspeccione. Compruebe la válvula de pie llenándola con agua, si las bolas no sellan el asiento, reemplace la bola.
2. Diluya el material — póngase en contacto con el fabricante para obtener los procedimientos de dilución adecuados.
3. Apriete todas las conexiones entre la bomba y el recipiente de pintura. Si hay alguna dañada, reemplácela. Cambie a un juego de succión de mayor tamaño.

La bomba suministra únicamente en el recorrido descendente o sube rápidamente y baja lentamente

1. La bola superior no está colocada en su sitio debido a suciedad o al desgaste
2. El asiento de la guarnición inferior está desgastado

1. Compruebe el asiento y la bola superiores con agua. Si la bola no sella, reemplace el asiento.
2. Reemplace la guarnición, si fuese necesario.

La bomba se mueve rápidamente hacia arriba y hacia abajo, suministrando material

1. El recipiente de material está vacío o el material es demasiado denso para fluir a través de la manguera de succión
2. La bola inferior está pegada al asiento de la válvula de pie
3. La manguera de succión está retorcida o suelta

1. Rellene con nuevo material. Si es demasiado espeso, retire la manguera de succión, sumerja la sección de líquidos en el material e inicie la bomba para que cebe. Añada diluyente al material. Cambie a un juego de succión de mayor tamaño. Abra la válvula de purga para eliminar el aire y reinicie la bomba.
2. Retire la válvula de pie. Limpie la bola y el asiento.
3. Enderécela.

La bomba se mueve lentamente hacia arriba y hacia abajo cuando la bomba de rociado está apagada

1. Conexiones sueltas. La válvula de purga está parcialmente abierta o está desgastada. El asiento de la guarnición inferior está desgastado.
2. La bolas superior y/o la inferior no están en su lugar.

1. Compruebe todas las conexiones entre la bomba y la pistola. Apriételas si fuese necesario. Si el material fluye desde la manguera de purga, cierre la válvula de purga o reemplácela, si fuese necesario. Si no aprecia nada de lo anterior, reemplace la guarnición inferior.
2. Vuelva a colocar las bolas limpiándolas.

No hay suficiente presión del fluido en la pistola

1. La punta de rociado está desgastada
2. El filtro de salida o el filtro de la pistola están obstruidos
3. Baja tensión y/o amperaje inadecuado
4. El tamaño o la longitud de la manguera es demasiado pequeño o demasiado grande

1. Reemplace.
2. Limpie o reemplace el filtro.
3. Compruebe el servicio eléctrico. Corrija según sea necesario.
4. Aumente el tamaño de la manguera para minimizar la caída de presión a lo largo de la manguera y/o reduzca la longitud de la manguera.

La bomba vibra en el recorrido ascendente o descendente

1. El disolvente ha hecho que la guarnición superior se hinche

1. Reemplace la guarnición.

Solución de problemas

Motor hidráulico

Problema

El motor se atasca en la parte inferior (sin problemas inusuales de calentamiento)

Causa

1. El asiento del pistón de la bomba de fluido está desenroscado
2. La válvula está agarrotada o el ensamblaje del cambiador de la varilla de disparo del motor está separado

Solución

1. Si la varilla de conexión está bien, retire la bujía central del cilindro haga descender la válvula. Reemplace la bujía y arranque la máquina. Si la máquina realiza un ciclo y se vuelve a detener en la parte inferior, el problema es el asiento del pistón en la bomba de fluido. Compruebe el asiento del pistón. Repárelo o reemplácelo, según sea necesario. Si el asiento del pistón está bien y el problema no cambia, compruebe el motor.
2. Retire la válvula y busque arañazos y movimientos bruscos cuando lo desliza hacia arriba y hacia abajo. Reemplace la válvula y el carrete en este estado. Compruebe la varilla de disparo en busca de una posible separación. Compruebe la varilla de disparo en busca de una posible separación.

El motor se atasca en la parte superior (sin problemas inusuales de calentamiento)

1. La válvula está agarrotada
2. Retén de resorte roto (ensamblaje de la varilla de la válvula)
3. Resorte o varilla de válvula rotos
4. Hay aire en el motor hidráulico

1. Retire la válvula y busque arañazos y movimientos bruscos cuando lo desliza hacia arriba y hacia abajo. Reemplace la válvula y el carrete en este estado.
2. Reemplace el ensamblaje de la varilla de la válvula.
3. Reemplace el ensamblaje de la varilla de la válvula.
4. Restablezca la válvula. Purgue el aire, lo que se consigue normalmente mediante un ciclo a baja presión del motor o del ensamblaje de la bomba durante 5-10 minutos. Compruebe las causas de la introducción de aire:
 - Conectores sueltos en el tanque.
 - Conectores sueltos en la bomba hidráulica.
 - Conexiones sueltas en la manguera.
 - Poco aceite en el depósito.
5. Se puede atascar en la parte superior aleatoriamente cuando la bomba de fluido toma aire. Restablezca la válvula. Evite la entrada de aire en la bomba de fluido.

Baja presión (bien en el recorrido descendente, lento en el recorrido ascendente — fuerte calentamiento)

NOTA: El motor trabaja en el recorrido ascendente, marcha en vacío y se atasca en el recorrido descendente.

1. Junta de pistón rota
2. Pistón agrietado

1. Antes de desmontar el motor, arranque la máquina. Con la bomba realizando un ciclo bajo presión, toque el cilindro hidráulico y la culata para ver si el cilindro o la culata se calientan. Esto ayudará a determinar si la junta del pistón está defectuosa o si la tuerca del pistón está rota. Si el calor está en la culata, compruebe las juntas tóricas en la válvula de carrete.
2. Desarme el motor y compruebe las juntas del pistón, el diámetro del cilindro y la tuerca del pistón. Ponga especial atención en la tuerca del pistón. Puede estar agrietada y no mostrarlo externamente.

Baja presión (ambos recorridos — gran calentamiento)

NOTA: El motor trabaja en los dos recorridos.

1. Juntas tóricas caídas en el centro en la válvula de carrete
2. Bomba hidráulica en mal estado

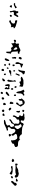
1. Antes de desmontar el motor, arranque la máquina. Con la bomba realizando un ciclo bajo presión, toque la culata para ver si se calienta. Esto ayudará a determinar si la junta tórica del centro está defectuosa en la válvula de carrete. Si está caliente, retire y reemplace la junta tórica.
2. Reemplace la bomba hidráulica.

Solución de problemas

Patrones de rociado

Problema

Residuos



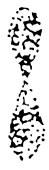
Causa

1. Suministro de fluido inadecuado

Solución

1. El fluido no atomiza correctamente:
Aumente la presión del fluido. Cambie a una punta con un tamaño de orificio menor. Reduzca la viscosidad del fluido. Reduzca la longitud de la manguera. Limpie la pistola y los filtros. Reduzca el número de pistolas que utilizan la bomba.

Reloj de arena



1. Suministro de fluido inadecuado

1. Igual que arriba.

Distorsionado



1. Boquilla obstruida o desgastada

1. Limpie o reemplace la boquilla.

El patrón se expande y se contrae (variaciones rápidas)



1. Fuga en el tubo de succión
2. Suministro de fluido intermitente

1. Inspeccione la manguera de succión en busca de fugas.
2. Cambie a una punta con un tamaño de orificio menor. Instale un amortiguador en el sistema o drene el existente. Reduzca el número de pistolas que utilizan la bomba. Elimine las restricciones en el sistema, limpie la malla de la punta si utiliza un filtro.

Patrón redondo



1. Punta desgastada
2. El fluido es demasiado pesado para la punta

1. Reemplace la punta.
2. Aumente la presión. Diluya el material. Cambie la boquilla.

Patentes

Estos productos están protegidos por una de las siguientes patentes (U.S.A.):

5,947,381

5,749,528

5,660,332

5,425,506

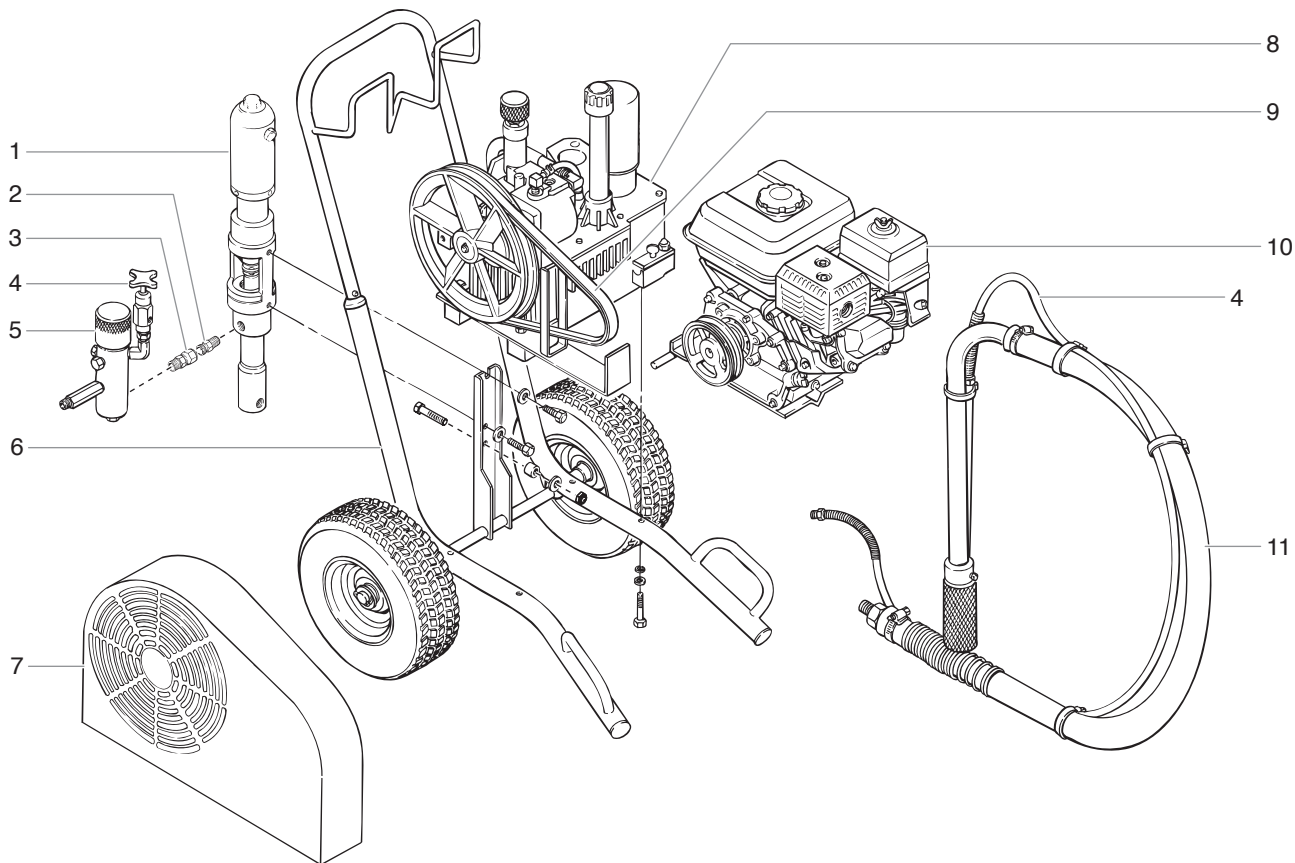
4,611,758

4,508,268

Las hojas de seguridad de los materiales (Material Safety Data Sheets - MSDS) están disponibles en la página web de Titan o llamando al servicio al cliente.

Lista de piezas e instrucciones de servicio

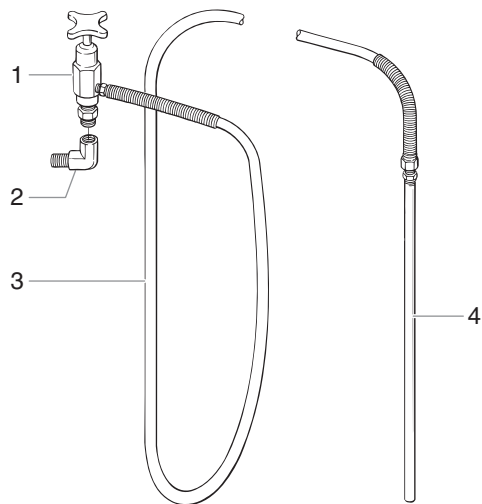
Ensamblaje principal



Artículo	Pieza #	Descripción	Cantidad
1	235-143	Ensamblaje Motor/Bomba	1
2	228-002	Adaptador	1
3	200-555	Adaptador giratorio	1
4	840-211	Ensamblaje de la manguera de purga con válvula.....	1
5	930-515	Ensamblaje del filtro	1
6	335-020	Ensamblaje del carro.....	1
7	449-925	Ensamblaje del protector de la cadena ...	1

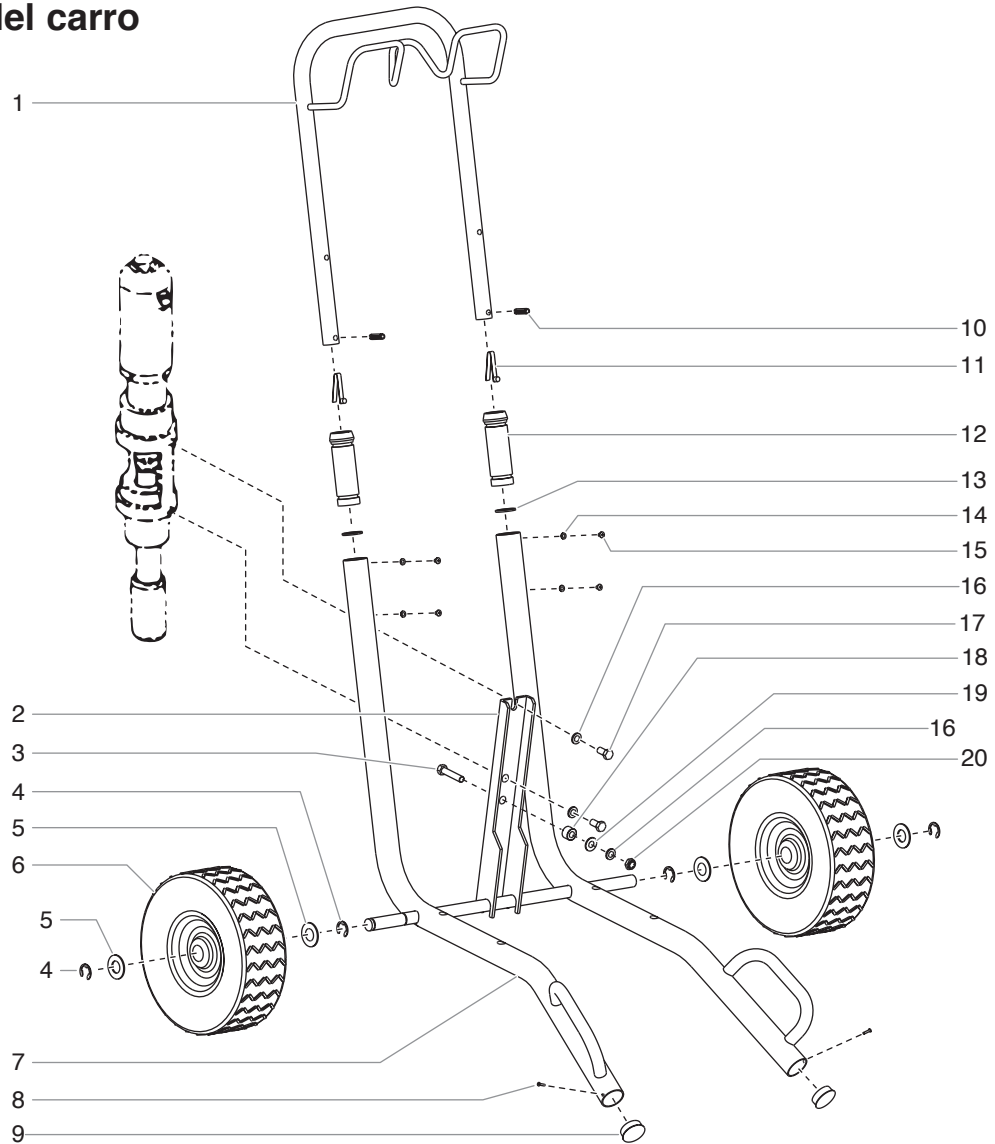
Artículo	Pieza #	Descripción	Cantidad
8	-----	Sistema hidráulico	1
9	449-181	Cadena, "V"	1
10	506-275	Convertokit, 5.5 CV, Honda, gasolina (modelo de gasolina)	1
11	103-826	Ensamblaje de la manguera de succión, 1" x 4.5'	1
12	506-211	Convertokit, electricidad DC, 115V (modelo eléctrico, no se muestra)	1

Ensamblaje de la manguera de purga con válvula (P/N 840-211)



Artículo	Pieza #	Descripción	Cantidad
1	944-028	Válvula de purga.....	1
2	818-014	Codo, 90°.....	1
3	539-078	Ensamblaje de la manguera.....	1
4	103-117	Tubo.....	1
5	103-111	Ensamblaje del conducto de purga (incluye los artículos 3 y 4).....	1

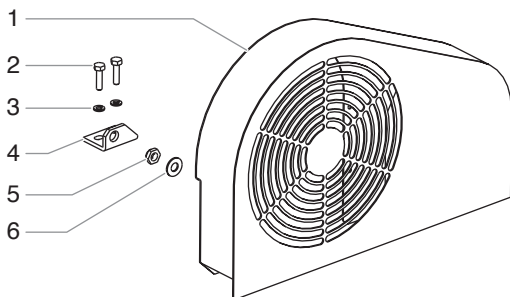
Ensamblaje del carro (P/N 335-020)



Artículo	Pieza #	Descripción	Cantidad
1	590-502	Mango	1
2	449-055	Abrazadera Motor/Bomba.....	1
3	862-460	Tornillo	1
4	590-100	Anillo de sujeción.....	4
5	870-009	Arandela	4
6	335-561	Rueda	2
7	335-021	Bastidor.....	1
8	854-020	Tornillo	2
9	335-018	Tapón.....	2
10	590-508	Pivote de rodillo	2

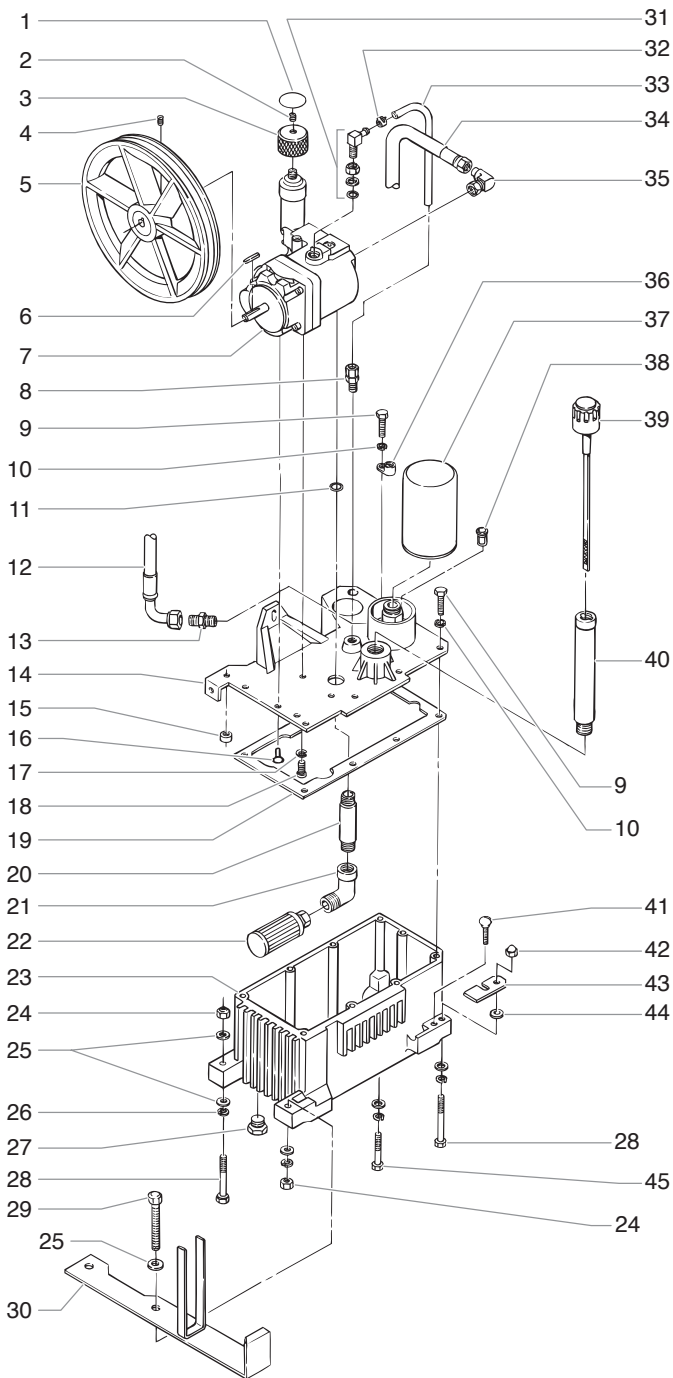
Artículo	Pieza #	Descripción	Cantidad
11	590-507	Botón a presión	2
12	590-504	Manguito	2
13	590-506	Arandela	2
14	856-002	Arandela	4
15	856-921	Screw	4
16	862-002	Lock washer.....	3
17	862-428	Tornillo	2
18	449-052	Separador	1
19	862-001	Arandela plana.....	1
20	862-411	Tuerca de seguridad.....	1

Ensamblaje del protector de la cadena (P/N 449-925)



Artículo	Pieza #	Descripción	Cantidad
1	-----	Protector de la cadena	1
2	858-636	Tornillo	2
3	858-002	Arandela de seguridad	2
4	449-187	Sujetador	1
5	862-411	Tuerca.....	1
6	862-001	Arandela	1

Sistema hidráulico

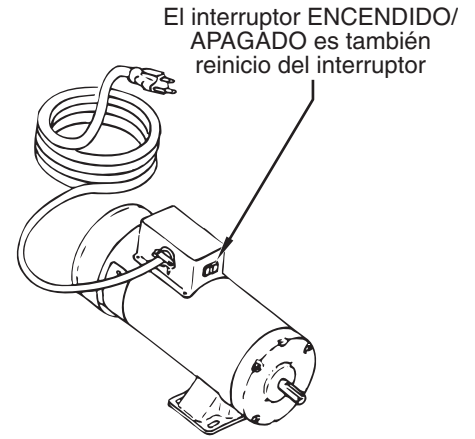
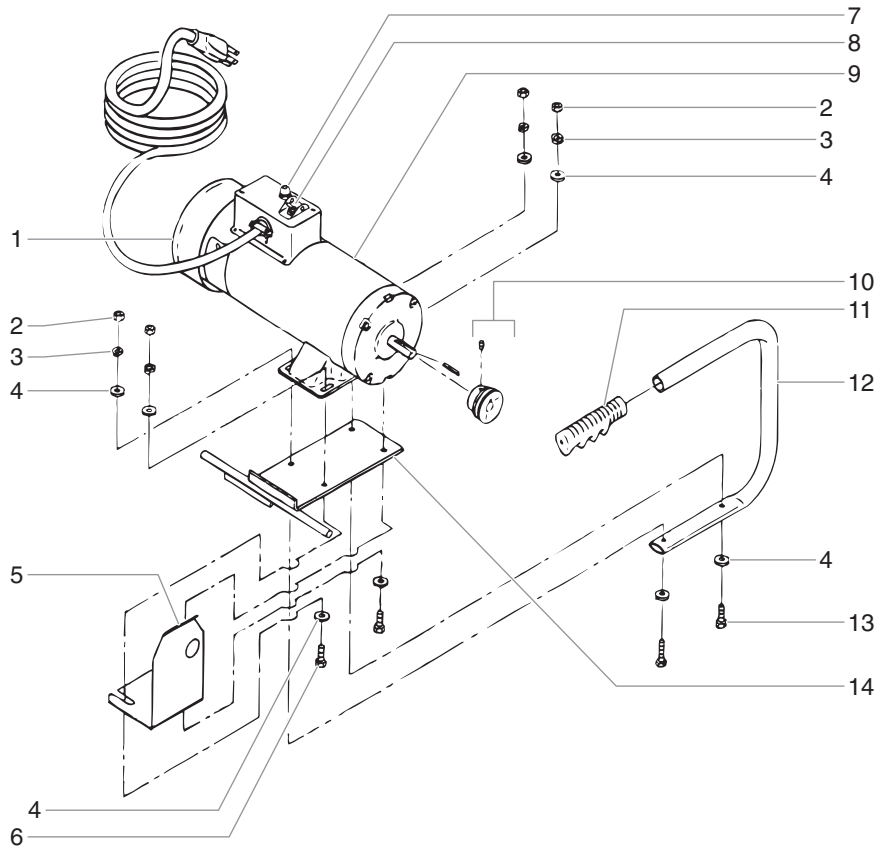


Artículo	Pieza #	Descripción	Cantidad
1	313-755	Letrero del mando	1
2	862-414	Tornillo de posición	1
3	448-243	Mando de control de la presión	1
4	860-520	Tornillo de posición	1
5	449-195	Ensamblaje polea/ventilador.....	1
6	448-494	Pasador, bomba (0.156 x 0.156 x 1 ^{3/16})...	1
7	449-752	Bomba hidráulica	1
8	431-042	Conector del tubo	1
9	858-636	Tornillo, HH	8
10	858-002	Arandela de seguridad	10
11	325-031	Junta tórica	1
12	448-253	Ensamblaje de la manguera de retorno...	1
13	451-029	Conector	1
14	449-616	Cubierta del tanque	1
15	858-609	Tuerca de sujeción	1
16	858-621	Tornillo hexagonal	2
17	859-001	Arandela	2
18	858-624	Tornillo	2
19	449-605	Junta del tanque	1
20	112-208	Manguito	1
21	472-500	Codo, rosca	1
22	448-208	Malla de entrada.....	1
23	449-623	Tanque hidráulico.....	1
24	862-411	Tuerca de seguridad de flexión	2
25	862-001	Arandela plana.....	6
26	862-002	Arandela de seguridad	4
27	449-212	Tapón	1
28	862-493	Tornillo, HH	2
29	862-496	Perno roscado	1
30	449-985	Protector	1
31	192-228	Codo	1
32	449-126	Abrazadera de la manguera	1
33	420-250	Tubería, UVØ.....	1
34	448-246	Ensamblaje de la manguera de presión...	1
35	192-051	Codo	1
36	101-205	Terminal de tierra.....	1
37	451-220	Filtro hidráulico	1
38	449-609	Derivación hidráulica	1
39	449-626	Tapa/Varilla medidora del fluido hidráulico.....	1
40	449-614	Ensamblaje del tubo	1
41	862-438	Tornillo de mariposa	1
42	862-402	Tuerca ciega	1
43	449-107	Dispositivo de retención de la placa de instalación.....	1
44	449-135	Separador	1
45	862-480	Tornillo, HH	1
46	451-121	Codo (no se muestra).....	1
47	941-555	Válvula de bola (no mostrada)	1

Torsión y guía de sellado

Artículo	Descripción
4	Utilice Loctite azul en las roscas
4	Torsión a 13.5 N/m (10 pies/libra)
8	Utilice material de sellado hidráulico
13	Utilice material de sellado hidráulico
16	Utilice Loctite azul en las roscas
16	Torsión a 11 N/m (8 pies/libra)
18	Torsión a 11 N/m (8 pies/libra)
20	Utilice material de sellado hidráulico
21	Utilice material de sellado hidráulico
22	Utilice material de sellado hidráulico
28	Torsión a 20.5 N/m (15 pies/libra)
29	Torsión a 20.5 N/m (15 pies/libra)
37	Torsión a 28 N/m (20 pies/libra)
45	Torsión a 20.5 N/m (15 pies/libra)

Convertokit eléctrico DC

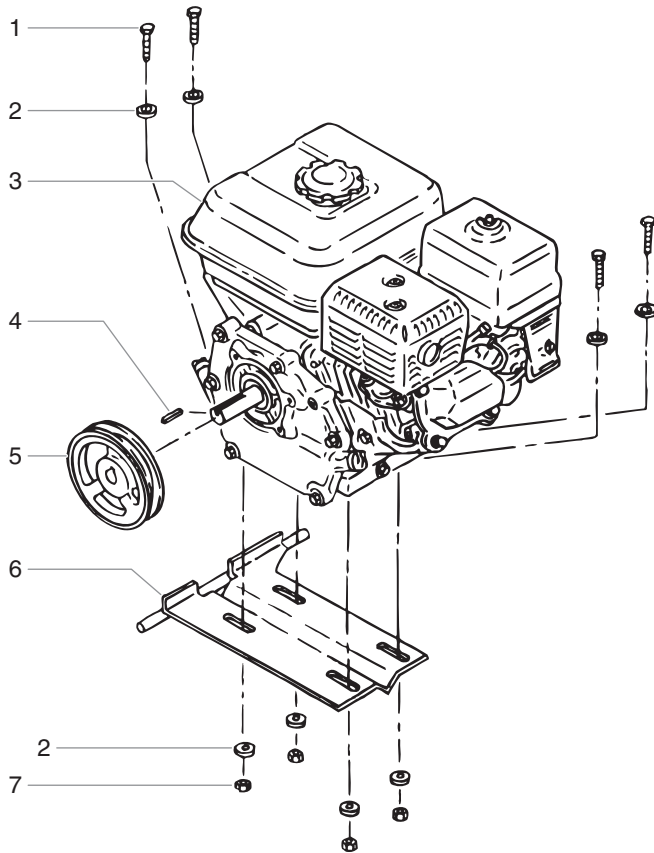


Motor aprobado de CSA

Artículo	Pieza #	Descripción	506-211	506-205
			115V	CSA, 115V
			Cantidad	Cantidad
1	506-259	Cubierta.....	1	1
2	860-501	Tuerca	4	4
3	860-002	Arandela de seguridad	4	4
4	860-004	Arandela plana	8	8
5	449-192	Protección del eje del motor.....	1	1
6	860-535	Tornillo	2	2
7	506-257	Reinicio del interruptor automático.....	1	1
8	506-260	Interruptor ENCENDIDO/APAGADO ..	1	1
	506-261	Interruptor ENCENDIDO/APAGADO, aprobado de CSA.....	1	1
9	978-350	Motor, eléctrico DC, 2 CV, 50 / 60 Hz, 115 V.....	1	1
	978-384	Motor, eléctrico DC, 2 CV, 50 / 60 Hz, 115 V, aprobado de CSA.....	1	1

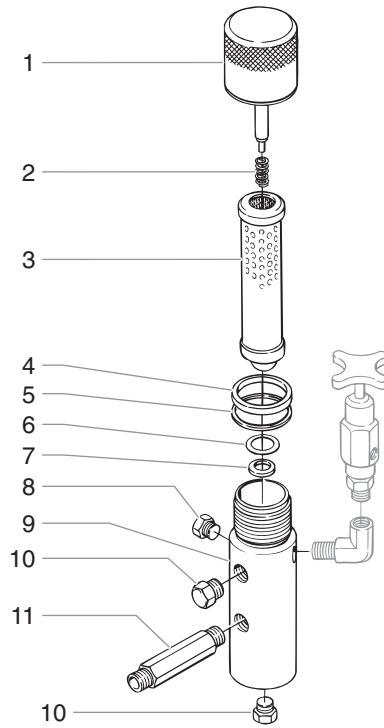
Artículo	Pieza #	Descripción	506-211	506-205
			115V	CSA, 115V
			Cantidad	Cantidad
10	977-228	Polea	1	1
	977-225	Polea	1	1
11	590-068	Agarre del mango	1	1
12	335-017	Mango	1	1
13	860-552	Tornillo	2	2
14	449-170	Placa de instalación	1	1
15	506-255	Rectificador (no se muestra).....	1	1
16	506-258	Ventilador (no se muestra).....	1	1
17	747-951	Etiqueta de identificación del juego (en francés, no se muestra)	1	1
18	449-181	Cadena, "V" (no se muestra, no forma parte del ensamblaje)	1	1

Convertokit de gasolina (P/N 506-275)



Artículo	Pieza #	Descripción	Cantidad
1	860-552	Tornillo	4
2	860-004	Arandela plana.....	8
3	980-331	Motor, gasolina, 5.5 CV, Honda.....	1
4	980-307	Pasador	1
5	448-910	Polea.....	1
6	449-219	Placa de instalación, motor de gasolina ...	1
7	860-502	Tuerca.....	4
8	449-181	Cadena, "V" (no se muestra, no forma parte del ensamblaje)	

Ensamblaje del filtro



Artículo	Pieza #	Descripción	930-514 Cant.	930-515 Cant.	930-516 Cant.
1	930-937	Ensamblaje de la tapa del filtro.....	1	1	1
2	930-020	Resorte	1	1	1
3	930-005	Elemento filtrante, 5 M, con bola.....	1		
	930-006	Elemento filtrante, 50 M, con bola.....		1	
	930-007	Elemento filtrante, 100 M, con bola.....			1
4	920-006	Junta, UVØ (gruesa) ..	1	1	1
5	920-070	Junta, UVØ (fina)	1	1	1
6	891-193	Junta tórica, UVØ	1	1	1
7	180-909	Asiento, carburo de wolframio ..	1	1	1
8	227-027	Tapón del tubo.....	1	1	1
9	930-920	Estructura del filtro	1	1	1
10	227-033	Tapón del tubo.....	2	2	2
11	191-324	Manguito hexagonal ..	1	1	1

Juego de servicio del filtro (P/N 930-050)

Artículo	Pieza #	Descripción	Cantidad
2	930-020	Spring	1
4	920-006	Gasket, UVØ.....	1
5	920-070	Gasket, UVØ.....	1
6	891-193	O-Ring, UVØ.....	1

Especificaciones

Presión máxima de trabajo5000 psi (34.5 MPa)

Área de filtrado18 pulg2 (116 cm2)

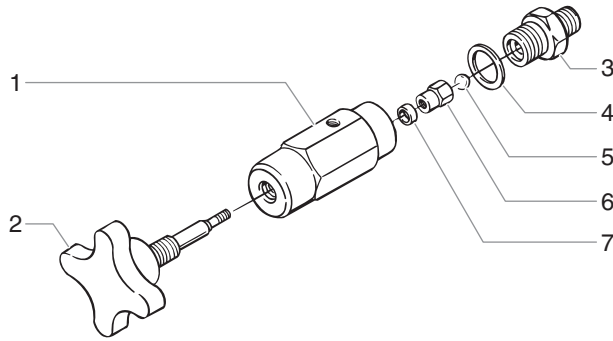
Puertos de salida(1) Rosca nominal del tubo (H) de 1/4" para la válvula de purga

(1) Rosca del tubo (H) de 3/8" con una conexión para la manguera con un diámetro nominal del tubo (M) de 1/4"

(1) Rosca nominal del tubo (H) de 3/8" conectada para el enganche de una pistola adicional.

Piezas mojadas.....Acero al carbono con níquel y cadmio por reducción química acero inoxidable, carburo de wolframio, UVØ

Ensamblaje de la válvula de purga (P/N 944-028)



Artículo	Pieza #	Descripción	Cantidad
1	944-020	Estructura de la válvula	1
2	944-024	Ensamblaje del mando	1
3	944-904	Asiento de la válvula.....	1
4	945-003	Junta de cobre.....	1
5	761-715	Bola, T.C.	1
6	944-026	Tope del vástago de la válvula	1
7	944-004	Junta tórica, ØVØ	1

Instrucciones de servicio

Esta válvula de purga tiene un asiento de la válvula de carburo de wolframio y no debería necesitar ser reemplazada a menudo. La bola de carburo de wolframio, en servicio normal, debe durar mucho tiempo, ya que gira y se desgasta de un modo uniforme. Si existe una fuga, reemplace la bola.

⚠ PRECAUCION

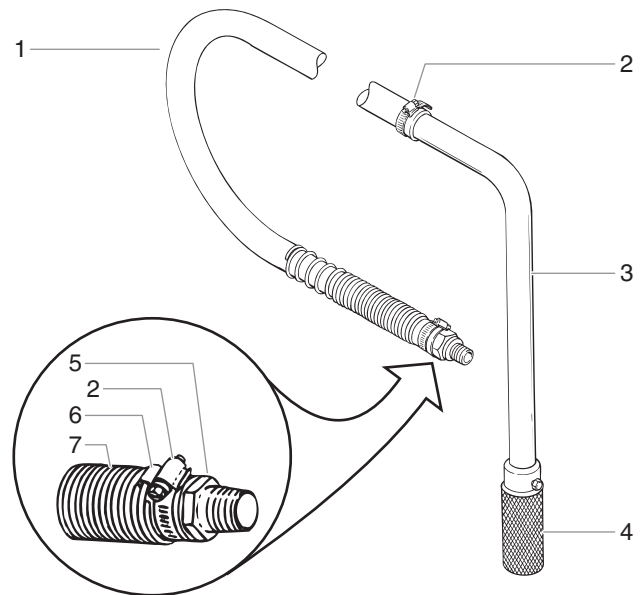
Abra el mando de ajuste hasta la posición completa en dirección contraria a las agujas del reloj, antes de desenroscar el asiento de la válvula de la estructura de la válvula. Si el vástago de la válvula es girado hacia adentro con la bola extraída, es posible que haya que reemplazar la junta tórica de DH: 9. Si se ha producido una fuga del vástago de la válvula, la junta tórica de DH: 9 debe ser reemplazada.

NOTA: El tope del vástago de la válvula debe ser desenroscado del vástago de la válvula con un destornillador hexagonal, y a continuación el vástago de la válvula podrá ser desenroscado de la estructura de la válvula.

⚠ PRECAUCION

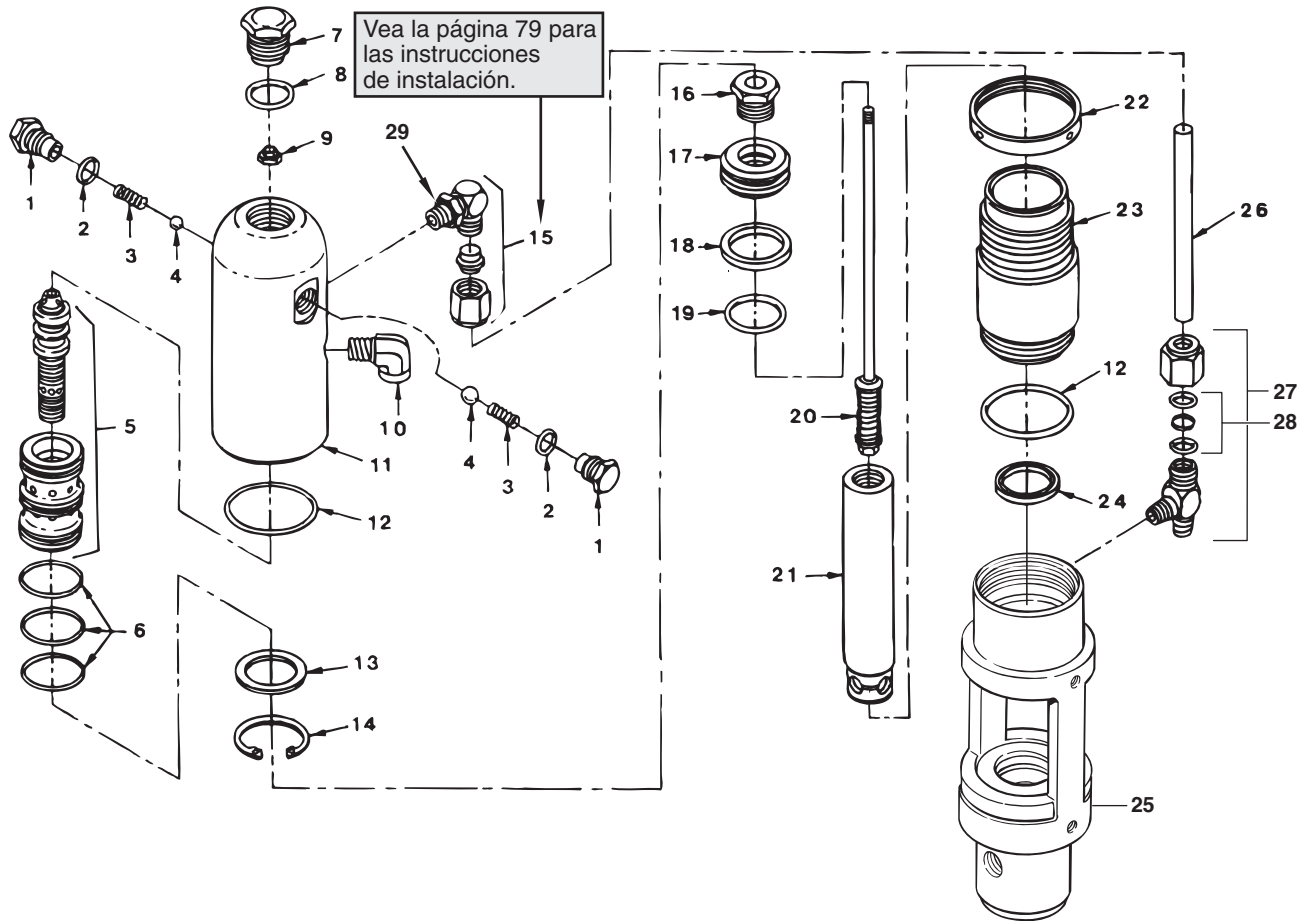
Todas las roscas que no se muevan deben ser ensambladas con Speeflo Loctite Sealant (P/N 426-051).

Ensamblaje de la manguera de succión



Artículo	Pieza #	Descripción	103-826 Cantidad	103-827 Cantidad
1	420-070	Manguera.....	4.5'	6.5'
2	103-679	Abrazadera de la manguera.....	2	2
3	103-575	Tubo.....	1	
	103-585	Tubo		1
4	103-627	Separador de piedras	1	1
5	194-761	Adaptador	1	1
6	103-119	Sujetador	1	1
7	103-125	Resorte	1	1

Motor hidráulico



Artículo	Pieza #	Descripción	Cantidad
1	235-018	Retención de disparo.....	2
2	141-007	Junta tórica.....	2
3	325-005	Resorte de disparo.....	2
4	569-016	Bola, SS.....	2
5	441-908	Juego carrete / manguito.....	1
6	441-152	Junta tórica.....	3
7	235-030	Tapa de la culata del cilindro.....	1
8	441-217	Junta tórica.....	1
9	858-811	Tuerca de seguridad de flexión.....	1
10	451-121	Codo de rosca, 90°.....	1
11	235-112	Culata del cilindro.....	1
12	431-032	Junta tórica.....	2
13	431-053	Retención del manguito.....	1
14	431-054	Anillo de sujeción.....	1
15	192-000	Codo.....	1
16	235-022	Tornillo de sujeción del pistón.....	1
17	235-014	Pistón.....	1
18	235-027	Junta del pistón.....	1
19	235-026	Junta tórica.....	1
20	235-021	Ensamblaje de la varilla de la válvula.....	1
21	235-948	Varilla del pistón.....	1
22	235-001	Anillo de seguridad.....	1
23	235-007	Cilindro.....	1
24	235-028	Junta de la varilla.....	1
25	235-929	Bloque Motor/Bomba.....	1
26	235-029	Tubo del motor.....	1
27	197-031	Conexión en T.....	1
28	431-019	Juego de juntas tóricas.....	1
29	700-499	Junta tórica.....	1

Motor Service Kit — Minor (P/N 235-050)

Artículo	Pieza #	Descripción	Cantidad
2	141-007	Junta tórica.....	2
3	325-005	Resorte de disparo.....	2
4	569-016	Bola, SS.....	2
6	441-152	Junta tórica.....	3
8	441-217	Junta tórica.....	1
9	858-811	Tuerca de seguridad de flexión.....	1
12	431-032	Junta tórica.....	2
18	235-027	Junta del pistón.....	1
19	235-026	Junta tórica.....	1
24	235-028	Junta de la varilla.....	1

Servicio del motor hidráulico

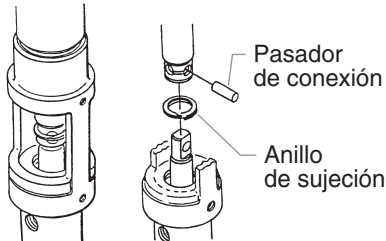
Realice este procedimiento utilizando las piezas del Juego de Servicio del Motor – pequeño (P/N 235-050). Si el motor hidráulico funciona, arranque la máquina y empuje la varilla del pistón (21) hasta su posición más alta.

NOTA: El servicio del motor hidráulico sólo se debe realizar en un área limpia y libre de polvo. La suciedad o las partículas metálicas que queden en el motor o entren en él al volver a ensamblarlo pueden dañar partes críticas y afecta su duración y su garantía. Debe inspeccionarse que todas las piezas estén absolutamente limpias.

Desensamblaje del motor hidráulico

1. Desconecte la manguera de presión del codo (34 y 35 en la lista de piezas del sistema hidráulico) situado en la parte posterior de la bomba hidráulica.
2. Retire los dos tornillos de instalación y las dos arandelas de seguridad (17 y 16 en la lista de piezas del ensamblaje del carro) que conectan el ensamblaje del motor/bomba al carro.

3. Coloque el ensamblaje del motor/bomba en una prensa de banco, sujetándolo de un modo seguro por el bloque del motor/bomba (25).
4. Retire la tapa de la culata del cilindro (7).
5. Afloje el anillo de seguridad (22) con una llave de tuercas cilíndricas y desenrosque la tuerca de sujeción del tubo en la T (27). Afloje la tuerca de sujeción del tubo en el codo (15). Deslice la tuerca hacia abajo. Introduzca el tubo del motor (26) en el tubo en T (27) lo suficientemente lejos para despejar el codo (15). Desenrosque lentamente la culata del cilindro (11) y elévela lo suficiente por encima del cilindro (23) para poder alcanzar el ensamblaje de la varilla de la válvula (20) con las tenazas de sujeción de la prensa de banco.
6. La varilla del pistón (21) debe estar cerca de la parte superior de su recorrido para su desensamblaje. Puede que sea necesario utilizar un arrastre de madera o nylon para llevar la varilla del pistón hasta su posición más alta.
7. Sujete fuertemente la varilla del pistón con las tenazas de sujeción de la prensa de banco y luego retire la tuerca de seguridad de flexión (9) de la parte superior del ensamblaje de la varilla de la válvula (20). Tenga cuidado de que no se caiga el manguito (5). Ahora se puede levantar la culata del cilindro (11). Desenrosque el cilindro (23) del bloque del motor/bomba (25). Nota: Se puede utilizar un anillo de seguridad (22) extra para unir los dos anillos de seguridad en el cilindro, y se puede utilizar una llave para tubos para desenroscar el cilindro (23) del bloque del motor/bomba (25).



8. Para retirar el pasador de conexión, deslice hacia abajo el anillo de sujeción con un pequeño destornillador y luego empuje el pasador hacia afuera.
9. Retire el ensamblaje de la varilla del pistón del bloque del motor/bomba (25).
10. Retire la junta de la varilla (24), teniendo mucho cuidado de no arañar la ranura de estanqueidad en el bloque del motor/bomba (25).
11. Coloque el tornillo de sujeción del pistón (16) del ensamblaje de la varilla del pistón en una prensa de banco. Deslice una barra larga a través del agujero situado en la base de la varilla del pistón para hacer palanca, y desenrosque la varilla del pistón del tornillo de sujeción del pistón.
12. Retire el pistón (17) y saque el ensamblaje de la varilla del pistón (20).
13. Retire la junta del pistón (18) y la junta tórica (19).
14. Retire las retenciones de disparo (1), los resortes de disparo (3) y las bolas (4) de la culata del cilindro (11). Retire las juntas tóricas (2) de las retenciones de disparo (1).
15. Retire el anillo de sujeción (14) y la retención del manguito (13). Saque suavemente el juego carrete/manguito (5) de la culata del cilindro (11) utilizando una varilla de madera o nylon.
16. Inspeccione la varilla del pistón (21) y el cilindro (23) en busca de desgastes, arañazos y mellas. Reemplácelos si están dañados.
17. Inspeccione la válvula del carrete (5) en busca de desgastes. Reemplácela si es necesario. La válvula del carrete debe moverse suave y libremente sin forzarse sosteniéndola en una posición vertical. Si no es así, puede hacer que el motor se atasque.

Reensamblaje del motor hidráulico

1. Separe el juego carrete/manguito (5). Coloque las juntas tóricas encima del manguito. Lubrique las juntas tóricas con aceite hidráulico. Introduzca suavemente el manguito en la culata del cilindro (11) con la parte más plana del manguito hacia afuera. Utilice una varilla de nylon para empujar hacia abajo el manguito hasta que alcance la mayor profundidad. No utilice otro tipo de herramienta que pueda dañar el manguito o dejar partículas o residuos. Instale el carrete a través de la parte superior de la culata, hasta el manguito.

⚠ PRECAUCIÓN

No utilice lubricante para la guarnición de la bomba Piston Lube. Se trata de un disolvente, y dañaría gravemente las juntas y las juntas tóricas del motor hidráulico.

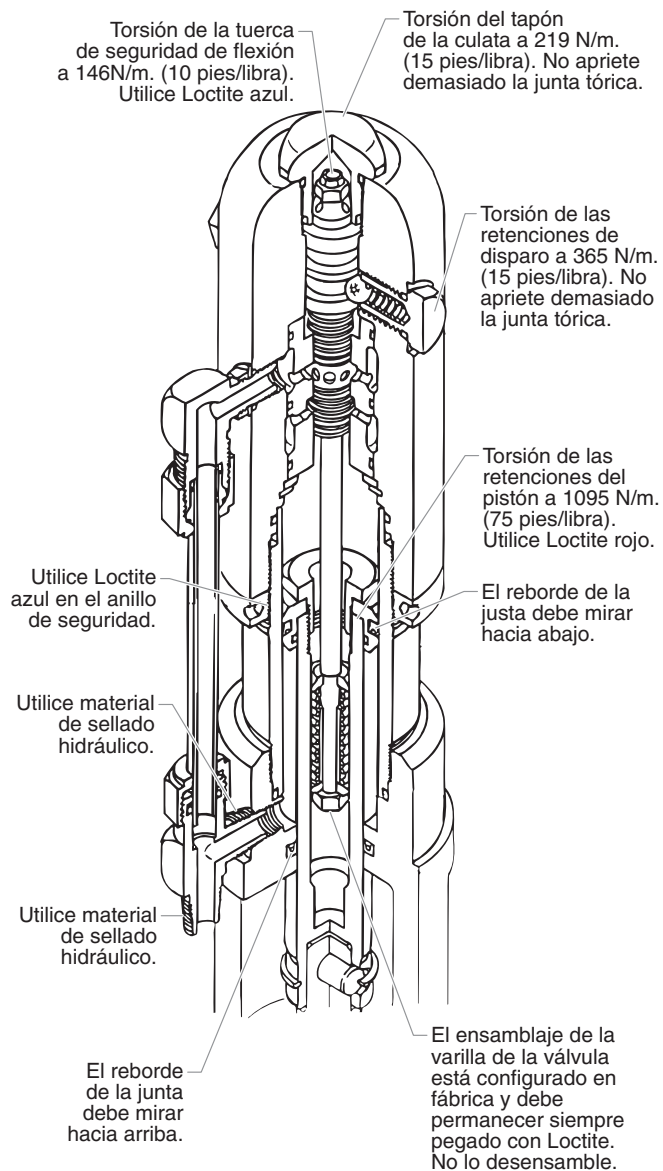
2. Instale las juntas tóricas (2) en las retenciones de disparo (1). Instale las bolas de la retención de disparo (4) seguidas de los resortes (3) que, cuando estén instalados, sujetarán el juego de carrete/manguito (5) en su lugar para su ensamblaje.
3. Instale la retención del manguito (13) seguido del anillo de presión (14) en la culata del cilindro (11), lo que sujetará el manguito de la válvula en su lugar. Instale la junta tórica (12) en la ranura de la junta tórica de la culata del cilindro.
4. Reemplace la junta inferior (24) en el bloque del motor/bomba (25). Asegúrese de que la parte abierta de la junta está mirando hacia arriba (V). Esta junta no requiere ninguna herramienta especial.
5. Coloque la varilla del pistón (21) en una prensa de banco. Inspeccione el ensamblaje de la varilla de la válvula (20) en busca de daños. Asegúrese de que la tuerca de seguridad de la parte inferior del ensamblaje de la varilla de la válvula (20) está asegurada. NO la retire. A continuación, colóquela en la varilla del pistón (21) tal y como se ilustra. Instale la junta tórica (19), lubricándola bien y volviendo a colocar el pistón (17) en la varilla del pistón (21). Coloque una gota de Loctite azul en el tornillo de sujeción del pistón (16). Apriete el tornillo de sujeción del pistón hasta que esté asegurado en su lugar. Compruebe en este momento el funcionamiento normal del resorte del ensamblaje de la varilla de la válvula (20).
6. Instale la junta del pistón (18) con los rebordes hacia abajo. Instale cuidadosamente la junta tórica (19). Extienda el anillo y estírelo lo suficiente para su instalación.
7. Con el bloque del motor/bomba (25) aún en la prensa de banco, instale la junta inferior (24) empujándola hacia su ranura con una varilla roma de tamaño adecuado. Luego complete la instalación con los dedos. No es necesaria ninguna herramienta. No retuerza la junta.
8. Lubrique previamente el pistón y el ensamblaje de la varilla de la válvula con el fluido hidráulico Coolflo™ (P/N 430-361). Instale la varilla del pistón (21) en el bloque del motor/bomba (25) con un movimiento suave de empuje y rotación, para hacer pasar la varilla del pistón a través de la junta (24).

NOTA: Inspeccione la parte inferior de la varilla del pistón (21) en busca de muescas o zonas afiladas que puedan dañar la junta del pistón durante la instalación a través del bloque del motor/bomba.

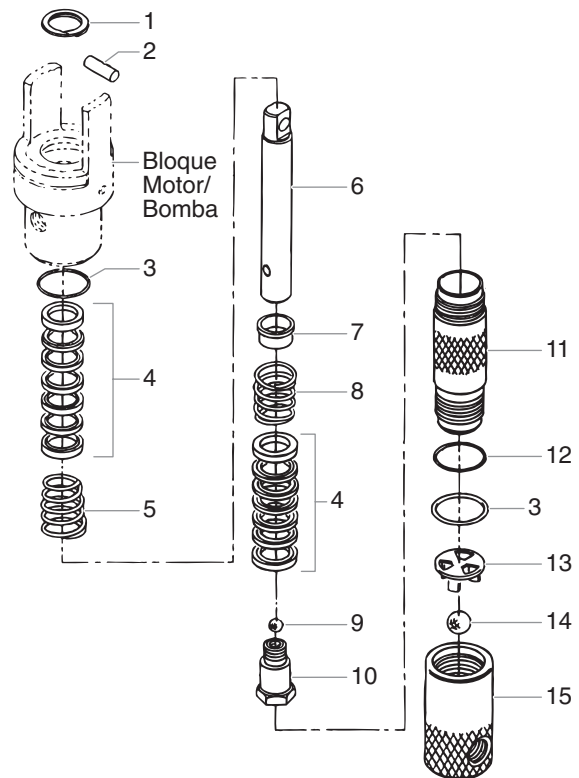
9. Reemplace el pasador de conexión de la varilla y el anillo de sujeción.
10. Instale la junta tórica (12) en la pared del cilindro. Lubrique el anillo y la pared interna. Con la varilla del pistón firmemente sujeta, el cilindro debe ser conducido suavemente sobre la junta del pistón con un mazo de goma. Enrosque fuertemente el cilindro en el bloque del motor/bomba (25).
11. Levante la varilla del pistón (21) hasta la posición superior y enrosque el anillo de seguridad (2) hasta el final en las roscas superiores del cilindro.
12. Tire hacia arriba del ensamblaje de la varilla de la válvula (20) todo lo que se pueda y sujételo con las tenazas de sujeción de la prensa de banco. A continuación instale la culata del cilindro (11), ya ensamblada, sobre la varilla de la válvula hasta que las roscas superiores de la varilla de la válvula pasen a través de la parte superior del juego carrete/manguito (5). Las roscas de la varilla de la válvula deben estar limpias y libres de aceite. Ponga una gota de Loctite azul en la rosca de la tuerca de seguridad de flexión (9) y enrosque la tuerca en la varilla de la válvula hasta su posición apretada (no apriete excesivamente) mientras sujeta la varilla de la válvula por debajo con las tenazas de sujeción de la prensa de banco.

13. Enrosque la culata del cilindro (11) en el cilindro (23) y luego hacia afuera lo suficiente para volver a ensamblar los conectores hidráulicos y el tubo del motor (26). Asegure el anillo de seguridad con una llave de tuercas para mantener la culata del cilindro en su lugar.
14. El ensamblaje en forma de T (27) y el codo (15) utilizan una junta tórica (28) para sellar el diámetro exterior del tubo del motor (26). El diámetro exterior del tubo del motor debe estar libre de arañazos y bordes afilados. Las tuercas de seguridad en estos conectores deben ser en primer lugar apretadas a mano, y a continuación apretadas otra media vuelta con una llave.
15. Instale la junta tórica (8) en la tapa de la culata del cilindro (7). Apriete.

Vista en corte del motor hidráulico



Sección de líquidos



Artículo	Pieza #	Descripción	Cantidad
1	143-019	Anillo de sujeción.....	1
2	143-120	Pasador de conexión.....	1
3	145-031	Junta tórica, UVØ.....	2
4	138-153	Juego de la guarnición, cuero/ UHMPWPE/acero.....	2
5	142-004	Resorte de la guarnición, SS.....	1
6	143-117	Varilla de desplazamiento, Severe Service 500.....	1
7	138-001	Retención del resorte.....	1
8	142-003	Resorte de la guarnición, SS.....	1
9	138-225	Bola, SS.....	1
10	143-945	Asiento del pistón.....	1
11	143-822	Cilindro de la bomba, Severe Service 500.....	1
12	140-009	Junta tórica.....	1
13	145-032	Estructura de la bola, SS.....	1
14	920-103	Bola, SS.....	1
15	143-998	Ensamblaje de la válvula de pie.....	1

Juego de Servicio de la Sección de Líquidos, grande (P/N 143-500)

Artículo	Pieza #	Descripción	Cantidad
	143-050	Juego de Servicio de la Sección de Líquidos, pequeño.....	1
6	143-117	Varilla de desplazamiento.....	1
11	143-822	Cilindro de la bomba.....	1

Juego de Servicio de la Sección de Líquidos, pequeño (P/N 143-050)

Artículo	Pieza #	Descripción	Cantidad
1	143-019	Anillo de sujeción.....	1
3	145-031	Junta tórica, UVØ.....	2
4	138-153	Juego de la guarnición, cuero/ UHMPWPE/acero.....	2
9	138-225	Bola, SS.....	1
12	140-009	Junta tórica.....	1
14	920-103	Bola, SS.....	1
	426-051	Loctite.....	1

Servicio de la sección de líquidos

NOTA: EL USO DE PIEZAS DE SERVICIO QUE NO SEAN DE SPEEFLO PUEDE ANULAR LA GARANTÍA. PIDA PIEZAS ORIGINALES FABRICADAS POR SPEEFLO PARA OBTENER LOS MEJORES SERVICIOS. Esta bomba debe recibir un servicio rutinario tras aproximadamente 1000 horas de uso. Se requiere un servicio anterior si existen excesivas fugas desde la guarnición superior o si los tiempos de la bomba son más rápidos unos que otros. Se recomienda el uso de Speeflo Piston Lube (P/N 700-925) como lubricante de la guarnición superior. NO SUSTITUYA EL ACEITE, EL AGUA O EL DISOLVENTE por un lubricante para la guarnición superior.

Desensamblaje de la sección de líquidos

1. Retire el ensamblaje del tubo de succión. Desenrosque la válvula de pie (15) y el cilindro de la bomba (11) con una llave de correa.
2. Deslice hacia arriba el anillo de sujeción (1) con un pequeño destornillador, y luego saque el pasador de conexión (2).
3. Saque la varilla de desplazamiento (6) a través de la cavidad inferior del bloque del motor/bomba.
4. Retire el bloque del motor/bomba, la junta tórica de $\text{UV}\text{Ø}\text{Ø}$ (3), el resorte de la guarnición superior (5), y el juego de la guarnición superior (4).
5. Sujete la varilla de desplazamiento (6) en una prensa de banco por las superficies planas de la parte superior de la varilla de desplazamiento y retire el asiento del pistón (10) con una llave mientras mantiene la varilla en posición horizontal con un soporte de madera, si fuese necesario. Retire la bola (9), el juego de la guarnición inferior (4), el resorte de la guarnición inferior (8), y la retención del resorte (7).
6. Retire la estructura de la bola (13), la junta tórica de PTFE (3), y la bola (14).
7. Reemplace el pasador de conexión (2) y el anillo de sujeción (1).
8. Retire la junta tórica (12) del cilindro de la bomba (11).

Reensamblaje de la sección de líquidos

NOTA: Utilice cinta de PTFE en todas las conexiones de tubos con rosca.

1. Coloque la bola (14) dentro de la válvula de pie (15), seguida de la estructura de la bola (13).
2. Inserte la junta tórica de PTFE (3) en la ranura inferior de la válvula de pie (15).
3. Coloque el juego de la guarnición inferior (4) sobre el asiento del pistón (10) con el pico de las guarniciones en "V" apuntando hacia abajo a la válvula de pie.

NOTA: Las guarniciones deben estar impregnadas de aceite antes de su instalación.

4. Limpie las roscas del asiento del pistón (10) recúbrelas con Loctite azul. Asegúrese de que no haya Loctite en el asiento.
5. Coloque la bola (9) sobre el asiento del pistón (10).
6. Coloque el resorte de la guarnición inferior (8) sobre el asiento del pistón (10), seguido de la retención del resorte (7).
7. Atornille la varilla de desplazamiento (6) y el asiento del pistón (10). Asegúrela en una prensa de banco a 100 N/m (75 pies/libra).
8. Inserte la junta tórica de PTFE (3) en la ranura superior del bloque del motor/bomba.
9. Inserte el juego de la guarnición superior (4) en el bloque del motor/bomba con el pico de las guarniciones en "V" apuntando hacia arriba al motor.

NOTA: Las guarniciones deben estar impregnadas de aceite antes de su instalación.

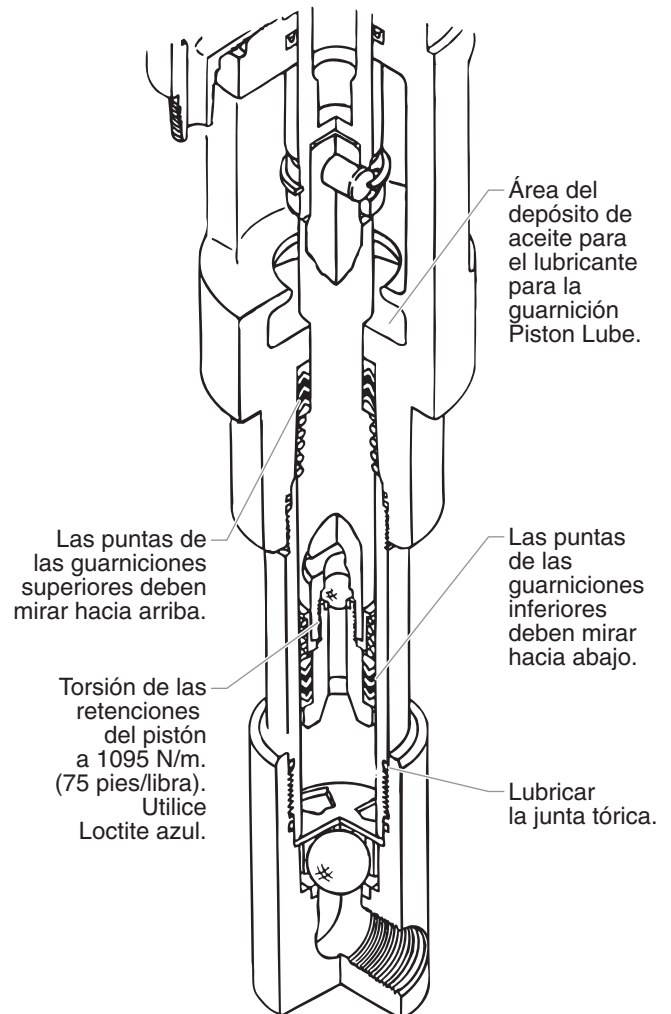
10. Coloque el resorte de la guarnición superior (5) en el bloque del motor/bomba con el extremo pequeño terminado en punta apuntando hacia arriba al bloque del motor/bomba.

11. Inserte la varilla de desplazamiento (6) hacia arriba a través de las guarniciones superiores en el bloque del motor/bomba.
12. Alinee los agujeros en la varilla de desplazamiento (6) y la varilla del pistón hidráulico e inserte el pasador de conexión (2).
13. Enrosque las roscas cortas del cilindro de la bomba (11) en el bloque del motor/bomba y apriételas con una llave de correa.
14. Coloque la junta tórica (12) en la ranura superior del cilindro de la bomba (11).
15. Enrosque la válvula de pie (15) sobre el cilindro de la bomba (11), apriétela con una llave de correa y de marcha atrás para alinear la manguera de succión.

NOTA: No es necesario apretar en exceso la válvula de pie. Las juntas tóricas realizan la función de sellado sin estar excesivamente apretadas. Es suficiente apretarlas del todo. La válvula de pie se puede girar en sentido contrario un máximo de media vuelta desde la posición apretada para conseguir una posición más cómoda de la manguera.

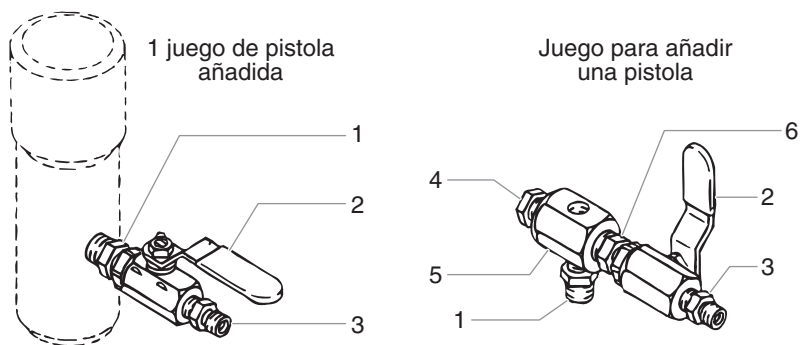
Para la conexión de la manguera de succión, es muy importante que las roscas de la manguera de succión se ajusten perfectamente a la válvula de pie con las uniones del ensamblaje de la manguera equipadas con cinta de PTFE y selladas para evitar fugas de aire.

Vista en corte de la sección de líquidos



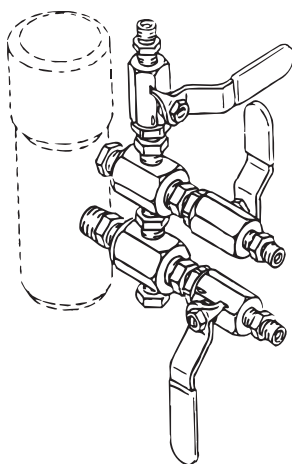
Ensamblajes de distribuidor para pistolas (opcional)

Ensamblajes de distribuidor para una pistola añadida



Artículo	Pieza #	Descripción	975-111 1 juego de pistola añadida 1/4"	975-311 1 juego de pistola añadida 3/8"	975-200 Juego para añadir una pistola 1/4"	975-300 Juego para añadir una pistola 3/8"
1	814-002	Manguito, hex	1	1	1	
	814-004	Manguito, hex		1		1
2	940-553	Válvula, bola	1		1	
	941-555	Válvula, bola		1		1
3	227-006	Manguito, hex	1		1	
	808-555	Manguito, hex		1		1
4	227-033	Tapón, tubo			1	1
5	970-100	Bloque, distribuidor			1	1
6	814-004	Manguito, hex			1	1

Ensamblajes de distribuidor para varias pistolas añadidas

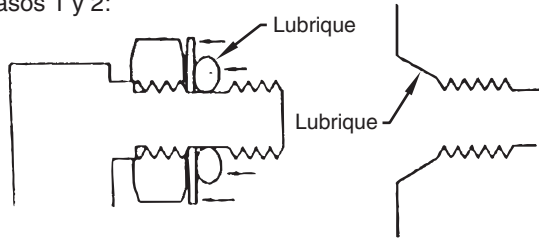


Ensamblaje distribuidor para 3 pistolas

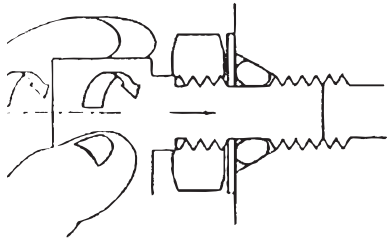
Pieza #	Descripción	975-212 2 pistolas 1/4"	975-213 3 pistolas 1/4"	975-214 4 pistolas 1/4"	975-312 2 pistolas 3/8"	975-313 3 pistolas 3/8"	975-314 4 pistolas 3/8"
975-111	1 juego de pistola añadida, 1/4"	1	1	1			
975-311	1 juego de pistola añadida, 3/8"				1	1	1
975-200	Juego para añadir una pistola, 1/4"	1	2	3			
975-300	Juego para añadir una pistola, 3/8"				1	2	3

Instalación del conector de la junta tórica

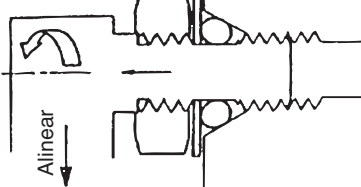
Pasos 1 y 2:



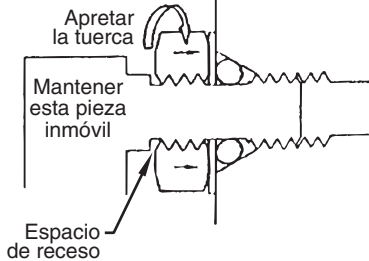
Paso 3:



Paso 4:

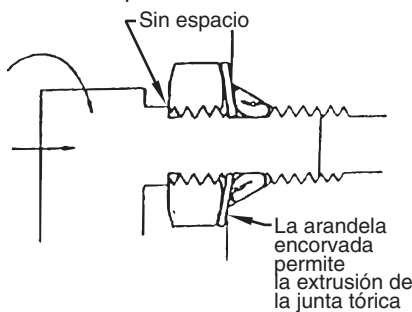


Paso 5:

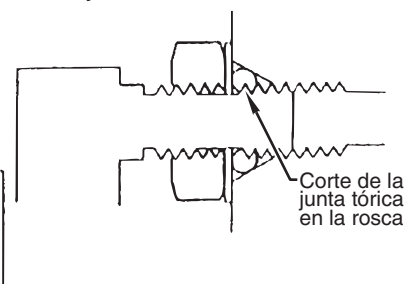


Cautions:

Evite atornillar el conector demasiado profundamente



Evite dejar el conector demasiado fuera.



1. Empuje hacia atrás la arandela y la junta tórica todo lo que se pueda.
2. Lubrique la junta tórica y el puerto de entrada.
3. Atornille el conector hasta que la arandela empuje a la junta tórica hacia la entrada y se sitúe plana contra el puerto. (¡No apriete – realice este paso manualmente para comprimir la junta tórica contra el puerto!)
4. Desatornille el conector no más de una vuelta completa para alinearlos según sea necesario.
5. Apriete la tuerca con una llave manteniendo el conector hacia atrás. Esto debe dejar al descubierto un espacio de receso detrás de la tuerca, que puede actuar como indicador de que el conector está ensamblado correctamente. (Esta es una característica sólo para una versión específica de este conector – que se atornilla dentro de la culata del cilindro. Otros conectores, como los que conectan a la bomba hidráulica, se ensamblan del mismo modo pero puede que no tengan el indicador).

Accesorios y Juegos de servicio

Estos artículos pueden adquirirse por separado en su distribuidor de Speeflo local.

Pieza #	Descripción
103-826	Ensamblaje de manguera de succión de 5 gal. con separador de piedras, 1" x 4.5'
103-827	Ensamblaje de manguera de succión de 5 gal. con separador de piedras, 1" x 6.5'
103-627	Separador de piedras
930-005	Elemento filtrante de pintura, malla 5 (para múltiples colores y materiales pesados)
930-006	Elemento filtrante de pintura, malla 50 (para látex y materiales arquitectónicos normales)
930-007	Elemento filtrante de pintura, malla 100 (para tintes, lacas y materiales finos)
520-050	SGX-20 G, T, y juego de manguera de 1/4"
520-051	SGX-20 G, T, y juego de manguera de 3/8"
101-208	Pinza de conexión a tierra
101-212	Cable de conexión a tierra, calibre 12 x 25'
700-925	Piston Lube
430-362	Fluido hidráulico Coolflo™, 1 cuarto
430-361	Fluido hidráulico Coolflo™, 1 galón
143-050	Juego de Servicio de la Sección de Líquidos - pequeño
930-050	Juego de servicio del filtro
944-050	Juego de servicio de la válvula de purga
975-212	Distribuidor para 2 pistolas con válvulas de bola, 1/4"
975-213	Distribuidor para 3 pistolas con válvulas de bola, 1/4"
975-312	Distribuidor para 2 pistolas con válvulas de bola, 3/8"
975-313	Distribuidor para 3 pistolas con válvulas de bola, 3/8"

Selección de la punta sin aire

Las puntas son seleccionadas por el tamaño del orificio y el ancho del ventilador. La selección adecuada está determinada por el ancho del ventilador requerido para un trabajo específico, y por el tamaño del orificio que suministrará la cantidad de fluido deseada y realizará una atomización adecuada.

Para los fluidos de viscosidad ligera, se suelen preferir puntas con orificios más pequeños. Para los materiales con una viscosidad más pesada se prefieren puntas con orificios mayores. Consulte el siguiente cuadro.

NOTA: No supere el tamaño de punta recomendado para la bomba.

El siguiente cuadro indica los tamaños más comunes y los materiales adecuados a rociar.

Tamaño de la punta	Material rociado	Tipo de filtro
.011 – .013	Lacas y tintes	Malla 100
.015 – .019	Aceite y látex	Malla 50
.021 – .026	Látex pesado y masillas	Malla 5

Se prefieren anchos de ventilador de 20 a 30 cm. (8" a 12") debido a que ofrecen más control al rociar y es menos probable que se obstruyan.

Limited Warranty

Titan Tool Inc. warrants all equipment manufactured by it and bearing its brand names to be free from defects in material and workmanship at the time of sale by an authorized Speeflo distributor. Titan Tool Inc. will for a period of twenty-five months from the date of sale, repair or replace any part of the equipment proven defective. Repair or replacement under this warranty shall be purchaser's sole remedy for breach of this warranty. Products furnished by but not manufactured by Titan Tool Inc. (such as hose, motors, engines, etc.) will carry only the warranty of the manufacturer, if any. (TITAN TOOL INC. DOES NOT WARRANT AND DISCLAIMS ALL IMPLIED WARRANTIES OF MERCHANTABILITY AND FITNESS FOR A PARTICULAR PURPOSE FOR ACCESSORIES, MATERIALS, EQUIPMENT, COMPONENTS AND PRODUCTS NOT MADE BY TITAN TOOL INC.).

This warranty shall not apply if the product has been subject to misuse, negligence, accident or tampering or has not been operated or installed in accordance with Titan Tool Inc.'s recommendations. This warranty does not cover and Titan Tool Inc. shall not be liable for any damage, wear or malfunction caused by improper or inadequate maintenance, abrasion, corrosion or substitution of components, parts or hydraulic fluid not supplied by Titan Tool Inc. Titan Tool Inc. shall not be liable for the improper design, manufacture, installation, operation or maintenance of accessories, components or materials not supplied by Titan Tool Inc. Titan Tool Inc. shall not be liable for damage or wear caused by incompatibility with Titan Tool Inc. equipment of materials, equipment or accessories not supplied by Titan Tool Inc.

This warranty applies only to the original purchaser and only when the equipment is installed, operated and maintained in accordance with Titan Tool Inc.'s written recommendations or instructions. Purchaser must, with transportation prepaid, return the equipment claimed to be defective to Titan Tool Inc. or to an authorized Warranty Service Center for verification of the claimed defect. If the alleged defect is verified, Titan Tool Inc. will, at Titan Tool Inc.'s option, repair or replace any defective parts. The equipment will be returned including prepayment of transportation charges to the original purchaser. If no defects in material and workmanship are found, repairs will be made by Titan Tool Inc. at a reasonable charge. Charges may include the cost of parts, labor and freight.

No statement or recommendation made or assistance given by Titan Tool Inc. or its representatives to purchaser, lessee or user or its representatives shall constitute a warranty by Titan Tool Inc. or a waiver or modification of any of the provisions hereof to create any liability for Titan Tool Inc. No sample or model shall create an express warranty that the products shall conform to any sample or model exhibited by Titan Tool Inc.

TITAN TOOL INC. DISCLAIMS TO THE FULL EXTENT PERMITTED BY LAW ALL WARRANTIES, EXPRESSED OR IMPLIED, INCLUDING ANY WARRANTY OF MERCHANTABILITY OR WARRANTY OF FITNESS FOR A PARTICULAR PURPOSE AND ANY NON CONTRACTUAL LIABILITIES INCLUDING PRODUCT LIABILITY BASED ON NEGLIGENCE OR STRICT LIABILITIES. Every form of liability is expressly excluded and denied for direct, indirect, special or consequential damages or loss. This warranty shall be in lieu of any other warranty expressed or implied. The terms of this warranty constitute purchaser's sole and exclusive remedy. In no case shall Titan Tool Inc.'s liability exceed the amount of the purchase price. Any action for breach of warranty must be brought within two (2) years of the date of sale.

Garantie Limitée

Titan Tool, Inc garantit que tous les équipements qu'elle fabrique et portant ses marques de commerce sont exempts de défaut de matériel et de main-d'œuvre au moment de la vente par un distributeur Speeflo agréé. Titan Tool, Inc assurera, pendant une période de vingt-cinq mois à partir de la date de vente, la réparation ou le remplacement de toute pièce d'équipement défectueuse. Les réparations ou le remplacement couverts par cette garantie ne s'appliquent pas en cas de défaillance attribuable à l'utilisateur. Les produits fournis mais non fabriqués par Titan Tool, Inc (tels que les tuyaux, les moteurs, etc.) ne seront garantis que par le fabricant, le cas échéant. (Titan Tool, Inc ne garantit pas et se dégage de toute responsabilité concernant toute garantie implicite de valeur marchande et d'adéquation à usage particulier des accessoires, des matériaux, de l'équipement et des composants ou produits non fabriqués par Titan Tool, Inc).

Cette garantie ne couvre pas les défauts ou les dommages provoqués par de l'abus, de la négligence, un accident, une tentative d'altération ni l'utilisation et le montage de pièces réparées sans suivre les recommandations de Titan Tool, Inc.) Cette garantie ne s'applique pas aux cas suivants et Titan Tool, Inc se dégage de toute responsabilité en cas de dommage, d'usure, ou de mal fonctionnement provoqués par un entretien défectueux ou incorrect, l'abrasion, la corrosion ou le remplacement des pièces ou du liquide hydraulique non fournis par Titan Tool, Inc. Titan Tool se dégage de toute responsabilité en cas de conception, de fabrication, d'installation, de fonctionnement ou d'entretien incorrect d'accessoires, de composants ou de matériaux non fournis par Titan Tool, Inc. Titan Tool, Inc se dégage de toute responsabilité en cas de dommage ou d'usure causés par l'incompatibilité avec Titan Tool, Inc. d'équipements de matériaux, d'équipement ou d'accessoires non fournis par Titan Tool, Inc.

Cette garantie ne s'applique qu'au premier acheteur et uniquement lorsque l'équipement est installé, manipulé et entretenu conformément aux recommandations et aux directives écrites de Titan Tool, Inc. L'acheteur doit retourner à ses frais l'appareil défectueux à Titan Tool, Inc ou à un Centre d'entretien sous garantie agréé pour faire vérifier l'appareil défectueux. Si le défaut indiqué est bien réel, Titan Tool, Inc décidera de réparer ou de remplacer les pièces défectueuses. L'équipement sera retourné au premier acheteur et les frais de transport de l'équipement seront prépayés. Si aucun défaut de matériel ou de main d'œuvre n'est décelé, les réparations seront effectuées par Titan Tool, Inc à un tarif raisonnable. Les frais pourront inclure le coût des pièces, la main-d'œuvre et le transport.

Aucune déclaration ou recommandation faite ou aucune aide fournie par Titan Tool, Inc ou ses représentants à l'acheteur, au locataire ou à l'utilisateur ou ses représentants ne constitue une garantie de la part de Titan Tool, Inc ou une modification de l'une des clauses indiquées ici visant à engager la responsabilité de Titan Tool, Inc. Aucun échantillon ou modèle ne constitue une garantie expresse que les produits sont conformes à un quelconque échantillon ou modèle présenté par Titan Tool, Inc.

SAUF DANS LA MESURE OÙ LA LOI APPLICABLE L'INTERDIT, Titan Tool, Inc DÉCLINE TOUTE GARANTIE EXPLICITE OU IMPLICITE, Y COMPRIS TOUTE GARANTIE DE QUALITÉ MARCHANDE OU DE BON FONCTIONNEMENT POUR UN BUT PARTICULIER ET TOUTES GARANTIES NON CONTRACTUELLES Y COMPRIS LA FIABILITÉ DU PRODUIT BASÉE SUR LA NÉGLIGENCE OU SUR LA RESPONSABILITÉ STRICTE. Toute forme de garantie est expressément exclue et non avenue pour tous les dommages ou pertes directes, indirectes, spéciales ou circonstanciées. Cette garantie se subroge à toute autre garantie exprimée ou implicite. Les termes de cette garantie doivent être respectés par l'acheteur. La responsabilité de Titan Tool Inc ne dépassera en aucun cas le montant du prix d'achat. Toute action en garantie doit être présentée dans les deux (2) ans à compter de la date d'achat.

Garantía limitada

Titan Tool Inc. garantiza todos los equipos que fabrica y sostiene que sus marcas están libres de defectos en el material y en la mano de obra en el momento de su venta por un distribuidor autorizado Speeflo. Titan Tool Inc. reparará o reemplazará cualquier parte del equipo que se demuestre que está defectuosa durante un periodo de 25 meses a partir de la fecha de venta. La reparación o la sustitución en virtud de esta garantía será el único recurso legal del comprador para el incumplimiento de esta garantía. Los productos suministrados, pero no fabricados por Titan Tool Inc. (como las mangueras, motores eléctricos y de gasolina, etc.) sólo portarán la garantía del fabricante, si es que existe. (Titan Tool Inc. no garantiza y renuncia a todas las garantías implícitas de comercialización e idoneidad para un determinado fin para los accesorios, materiales, equipos, componentes y productos no fabricados por Titan Tool Inc.).

Esta garantía no se aplicará si el producto ha sido sometido a usos indebidos, negligencias, accidentes o alteraciones, o si no ha sido puesto en funcionamiento o instalado de acuerdo con las recomendaciones de Titan Tool Inc. Esta garantía no cubre, y Titan Tool Inc. no será responsable de, ningún daño, desgaste o mal funcionamiento causado por un mantenimiento impropio o inadecuado, abrasión, corrosión, o la sustitución de componentes, piezas o fluido hidráulico no suministrados por Titan Tool Inc. Titan Tool Inc. no será responsable de los daños ni del desgaste causado por la incompatibilidad con el equipo de Titan Tool Inc. de materiales, equipo o accesorios no suministrados por Titan Tool Inc.

Esta garantía únicamente es aplicable al comprador original, y únicamente cuando el equipo se instale, se ponga en funcionamiento y se mantenga de acuerdo con las recomendaciones o instrucciones escritas de Titan Tool Inc. El comprador debe devolver, con el transporte pagado previamente, el equipo que reclama como defectuoso a Titan Tool Inc. o a un centro de servicio en garantía para la verificación del defecto reclamado. Si se verifica el defecto alegado, Titan Tool Inc. reparará o reemplazará, según decida, todas las piezas defectuosas. El equipo será devuelto al comprador original, incluyendo el pago previo de los gastos de transporte. Si no se encuentran defectos en el material ni en la mano de obra, las reparaciones serán realizadas por Titan Tool Inc. a un precio razonable. El precio puede incluir el coste de las piezas, la mano de obra y el transporte.

Ninguna declaración ni recomendación realizada, ni ninguna asistencia proporcionada, por Titan Tool Inc. o sus representantes al comprador, arrendatario, o usuario o a sus representantes constituirá ninguna garantía por parte de Titan Tool Inc., ni una renuncia o modificación de ninguna de las disposiciones de este documento para crear ninguna responsabilidad para Titan Tool Inc. Ninguna muestra o modelo creará ninguna garantía expresa de que los productos van a estar en conformidad con ninguna muestra o modelo exhibido por Titan Tool Inc.

Titan Tool Inc. RENUNCIA EN TODO LO PERMITIDO POR LA LEGISLACIÓN A TODAS LAS GARANTÍAS, EXPLÍCITAS O IMPLÍCITAS, INCLUYENDO TODA GARANTÍA DE COMERCIABILIDAD O GARANTÍA DE IDONEIDAD PARA UN DETERMINADO FIN, Y A TODAS LAS RESPONSABILIDADES NO CONTRACTUALES, INCLUYENDO LA RESPONSABILIDAD POR EL PRODUCTO BASADA EN LA NEGLIGENCIA O LAS RESPONSABILIDADES ESTRICIAS. Toda forma de responsabilidad está expresamente excluida y no aceptada para los daños o pérdidas directos, indirectos, especiales o derivados. Esta garantía actuará en lugar de cualquier otra garantía explícita o implícita. Los términos de esta garantía constituyen el único y exclusivo recurso legal para el comprador. La responsabilidad de Titan Tool Inc. en ningún caso excederá el importe del precio de compra. Cualquier acción por el incumplimiento de la garantía debe ser presentada en el plazo de dos (2) años después de la fecha de venta.



United States Sales & Service

1-800-526-5362
Fax 1-800-528-4826

107 Bauer Drive
Oakland, NJ 07436

www.titantool.com

Canadian Branch

1-800-565-8665
Fax 1-905-856-8496

200 Trowers Road, Unit 7B
Woodbridge, Ontario L4L 5Z8

International

1-201-337-1240
Fax 1-201-405-7449

107 Bauer Drive
Oakland, NJ 07436 USA



English Français Español