



Advanced Performance. Total Reliability.

Owner's Manual
Notice d'utilisation
Manual del Propietario
Do not use this equipment before
reading this manual!

ADVANTAGE GPX 85

Gas Piston Pump



Model Number:
Complete

0509036

NOTE: This manual contains important warnings and instructions. Please read and retain for reference.



Important Safety Information • Read all safety information before operating the equipment. **SAVE THESE INSTRUCTIONS.**



This symbol indicates a hazardous situation, which, if not not avoided could result in death or serious injury.



To reduce the risks of fire or explosion, electrical shock and the injury to persons, read and understand all instructions included in this manual. Be familiar with the controls and proper usage of the equipment.

HAZARD: INJECTION INJURY

A high pressure paint stream produced by this equipment can pierce the skin and underlying tissues, leading to serious injury and possible amputation. See a physician immediately.



DO NOT TREAT AN INJECTION INJURY AS A SIMPLE CUT! Injection can lead to amputation. See a physician immediately.

The maximum operating range of the sprayer is 3300 PSI / 22.8 MPa fluid pressure.

PREVENTION:

- NEVER aim the gun at any part of the body.
- Do not aim the gun at, or spray any person or animal.
- NEVER allow any part of the body to touch the fluid stream. DO NOT allow body to touch a leak in the fluid hose.
- NEVER put your hand in front of the gun. Gloves will not provide protection against an injection injury.
- ALWAYS lock the gun trigger, shut the pump off, and release all pressure before servicing, cleaning the tip or guard, changing tip, or leaving unattended. Pressure will not be released by turning off the motor. The PRIME/SPRAY valve or pressure bleed valve must be turned to their appropriate positions to relieve system pressure. Refer to the PRESSURE RELIEF PROCEDURE described in this manual.
- ALWAYS keep the tip guard in place while spraying. The tip guard provides some protection but is mainly a warning device.
- ALWAYS remove the spray tip before flushing or cleaning the system.
- Paint hose can develop leaks from wear, kinking and abuse. A leak can inject material into the skin. Inspect the hose before each use. Do not use hose to lift or pull equipment.
- NEVER use a spray gun without a working trigger lock and trigger guard in place.
- All accessories must be rated at or above 3300 PSI / 22.8 MPa. This includes spray tips, guns, extensions, and hose.
- Do not leave the unit energized or under pressure while unattended. When the unit is not in use, turn off the unit and relieve the pressure in accordance with the PRESSURE RELIEF PROCEDURE described in this manual.
- Verify that all connections are secure before operating the unit. Unsecured parts may eject at great force or leak a high pressure fluid stream causing severe injury.
- Always engage the trigger lock when not spraying. Verify the trigger lock is functioning properly.

NOTE TO PHYSICIAN:

Injection into the skin is a traumatic injury. It is important to treat the injury as soon as possible. DO NOT delay treatment to research toxicity. Toxicity is a concern with some coatings injected directly into the blood stream. Consultation with a plastic surgeon or reconstructive hand surgeon may be advisable.

HAZARD: HAZARDOUS VAPORS

Paints, solvents, insecticides, and other materials can be harmful if inhaled or come in contact with the body. Vapors can cause severe nausea, fainting, or poisoning.



PREVENTION:

- Use a respirator or mask if vapors can be inhaled. Read all instructions supplied with the mask to be sure it will provide the necessary protection.
- Wear protective eyewear.
- Wear protective clothing as required by coating manufacturer.



HAZARD: EXPLOSION OR FIRE

Solvent and paint fumes can explode or ignite. Property damage and/or severe injury can occur.



PREVENTION:

- Provide extensive exhaust and fresh air introduction to keep the air within the spray area free from accumulation of flammable vapors. Solvent and paint fumes can explode or ignite.
- Do not spray in a confined area.
- Avoid all ignition sources such as static electric sparks, open flames, pilot lights, electrical appliances, and hot objects. Connecting or disconnecting power cords or working light switches can make sparks. Paint or solvent flowing through the equipment is able to result in static electricity.
- Do not smoke in spray area.
- Fire extinguisher must be present and in good working order.
- Place pump at least 25 feet (7.62 meters) from the spray object in a well ventilated area (add more hose if necessary). Flammable vapors are often heavier than air. Floor area must be extremely well ventilated. The pump contains arcing parts that emit sparks and can ignite vapors.
- The equipment and objects in and around the spray area must be properly grounded to prevent static sparks.
- Keep area clean and free of paint or solvent containers, rags and other flammable materials.
- Use only conductive or grounded high pressure fluid hose. Gun must be grounded through hose connections.
- For electric units — power cord must be connected to a grounded circuit.
- Always flush unit into a separate metal container, at low pump pressure, with spray tip removed. Hold gun firmly against side of container to ground container and prevent static sparks.
- Follow the material and solvent manufacturer's warnings and instructions. Know the contents of the paints and solvents being sprayed. Read all Material Safety Data Sheets (MSDS) and container labels provided with the paints and solvents. Follow the paint and solvent manufacturer's safety instructions.
- Do not spray or clean with liquids having a flash point of less than 21°C (70°F). Flashpoint is the temperature that a fluid can produce enough vapors to ignite.
- Plastic can cause static sparks. Never hang plastic to enclose a spray area. Do not use plastic drop cloths when spraying flammable materials.
- Use lowest possible pressure to flush equipment.
- Do not spray onto pump assembly.



Important Safety Information • Read all safety information before operating the equipment. SAVE THESE INSTRUCTIONS.

HAZARD: EXPLOSION HAZARD DUE TO INCOMPATIBLE MATERIALS

Will cause property damage or severe injury.



PREVENTION:

- Do not use materials containing bleach or chlorine.
- Do not use halogenated hydrocarbon solvents such as bleach, mildewcide, methylene chloride and 1,1,1 - trichloroethane. They are not compatible with aluminum.
- Contact your coating supplier about the compatibility of material with aluminum.

HAZARD: GENERAL

Can cause severe injury or property damage.

PREVENTION:

- Read all instructions and safety precautions before operating equipment.
- Follow all appropriate local, state, and national codes governing ventilation, fire prevention, and operation.
- The United States Government Safety Standards have been adopted under the Occupational Safety and Health Act (OSHA). These standards, particularly part 1910 of the General Standards and part 1926 of the Construction Standards should be consulted.
- Use only manufacturer authorized parts. User assumes all risks and liabilities when using parts that do not meet the minimum specifications and safety requirements of the pump manufacturer.
- All hoses, fittings, and filter parts must be secured before operating spray pump. Unsecured parts can eject at great force or leak a high pressure fluid stream causing severe injury.
- Before each use, check all hoses for cuts, leaks, abrasion or bulging of cover. Check for damage or movement of couplings. Immediately replace the hose if any of these conditions exist. Never repair a paint hose. Replace it with another grounded high-pressure hose.
- Do not kink or over-bend the hose. Airless hose can develop leaks from wear, kinking and abuse. A leak can inject material into the skin.
- Do not expose the hose to temperatures or pressures in excess of those specified by manufacturer.
- Do not spray outdoors on windy days.
- Wear clothing to keep paint off skin and hair.
- Do not operate or spray near children. Keep children away from the equipment at all times.
- Do not overreach or stand on an unstable support. Keep effective footing and balance at all times.
- Use lowest possible pressure to flush equipment.
- Stay alert and watch what you are doing.
- Do not operate the unit when fatigued or under the influence of drugs or alcohol.
- For electric units — Always unplug cord from outlet before working on equipment.
- Do not use the hose as a strength member to pull or lift the equipment.
- Do not lift by cart handle when loading or unloading.

Gasoline Engine Safety



The engine exhaust from this unit contains chemicals known to the State of California to cause cancer, birth defects, or other reproductive harm.

- Gas engines are designed to give safe and dependable service if operated according to instructions. Read and understand the engine Owner's Manual before operating the engine. Failure to do so could result in personal injury or equipment damage.
- To prevent fire hazards and to provide adequate ventilation, keep the engine at least 1 meter (3 feet) away from buildings and other equipment during operation. Do not place flammable objects close to the engine.
- Children and pets must be kept away from the area of operation due to a possibility of burns from hot engine components or injury from any equipment the engine may be used to operate.
- Know how to stop the engine quickly, and understand the operation of all controls. Never permit anyone to operate the engine without proper instructions.
- Gasoline is extremely flammable and is explosive under certain conditions.
- Refuel in a well-ventilated area with the engine stopped. Do not smoke or allow flames or sparks in the refueling area or where gasoline is stored.
- Do not overfill the fuel tank. After refueling, make sure the tank cap is closed properly and securely.
- Be careful not to spill fuel when refueling. Fuel vapor or spilled fuel may ignite. If any fuel is spilled, make sure the area is dry before starting the engine.
- Never run the engine in an enclosed or confined area. Exhaust contains poisonous carbon monoxide gas; exposure may cause loss of consciousness and may lead to death.
- The muffler becomes very hot during operation and remains hot for a while after stopping the engine. Be careful not to touch the muffler while it is hot. To avoid severe burns or fire hazards, let the engine cool before transporting it or storing it indoors.
- Never ship/transport unit with gasoline in the tank.

Specifications

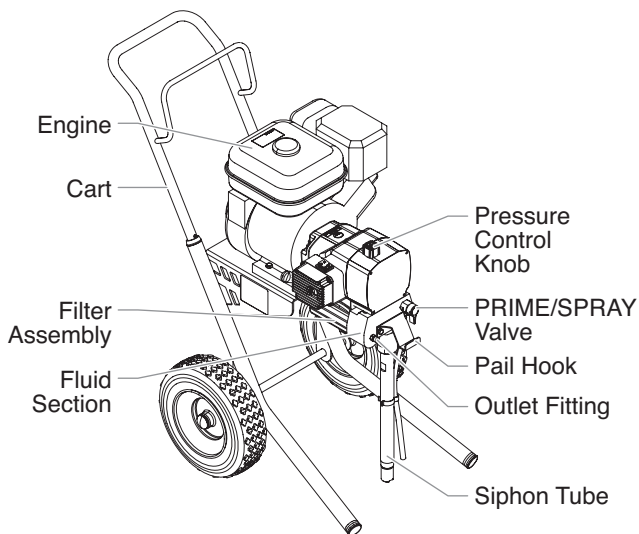
Gallons per minute (GPM).....	0.85 (3.2 LPM)
Maximum tip size.....	one gun = 0.030" two guns = 0.021"
Maximum pressure	3300 PSI (22.8 MPa)
Power	4.5 HP gas engine
Weight	128 lbs. (58.1 kg)
Maximum hose length	300' (91.4 m)

Table of Contents

Safety Information	2
Specifications	3
General Description	4
Operation.....	4
Fueling.....	4
Setup.....	4
Preparing a New Sprayer.....	4
Preparing to Paint.....	5
Painting.....	6
Pressure Relief Procedure.....	6
Spraying.....	7
Spraying Technique.....	7
Practice.....	7
Cleanup.....	7
Maintenance.....	8
General Repair and Service Notes.....	8
Maintaining the Engine.....	8
Cleaning or Replacing the Filters.....	9
Replacing the PRIME/SPRAY Valve.....	8
Replacing the Sprayer ON/OFF Switch.....	9
Replacing the Gears and/or Slider Assembly.....	10
Replacing the Transducer.....	11
Servicing the Clutch Assembly.....	11
Servicing the Fluid Section.....	13
Troubleshooting.....	15
Parts Listings.....	48
Main Assembly.....	48
Drive Assembly.....	50
Fluid Section Assembly.....	52
Cart Assembly.....	54
5 Gallon Siphon Set (optional).....	54
Labels.....	55
Accessories.....	56
Limited Warranty.....	60

General Description

This airless sprayer is a precision power tool used for spraying many types of materials. Read and follow this instruction manual carefully for proper operating instructions, maintenance, and safety information.



This equipment produces a fluid stream at extremely high pressure. Read and understand the warnings in the Safety Precautions section at the front of this manual before operating this equipment.

Operation

Fueling (gas engine)



Gasoline is extremely flammable and is explosive under certain conditions.

- ALWAYS turn the engine off before refueling.
- Refuel in a well-ventilated area.
- Do not smoke or allow flames or sparks in the refueling area or where gasoline is stored.
- Do not overfill the fuel tank. After refueling, make sure the tank cap is closed properly and securely.
- Be careful not to spill fuel when refueling. Spilled fuel or fuel vapor may ignite. If any fuel is spilled, make sure the area is dry before starting the engine.
- Avoid repeated or prolonged contact with skin or breathing of vapor.
- Keep out of the reach of children.

Fuel Specifications

- Use automotive gasoline that has a pump octane number of 86 or higher, or that has a research octane number of 91 or higher. Use of a lower octane gasoline can cause persistent “pinging” or heavy “spark knock” (a metallic rapping noise) which, if severe, can lead to engine damage.

NOTE: If “spark knock” or “pinging” occurs at a steady engine speed under normal load, change brands of gasoline. If spark knock or pinging persists, consult an authorized dealer of the engine manufacturer. Failure to do so is considered misuse, and damage caused by misuse is not covered by the engine manufacturer’s limited warranty.

Occasionally you may experience light spark knock while operating under heavy loads. This is no cause for concern, it simply means your engine is operating efficiently.

- Unleaded fuel produces fewer engine and spark plug deposits and extends the life of the exhaust system components.
- Never use stale or contaminated gasoline or an oil/gasoline mixture. Avoid getting dirt, dust, or water in the fuel tank.

Gasolines Containing Alcohol

If you decide to use a gasoline containing alcohol (gasohol), be sure its octane rating is at least as high as that recommended by the engine manufacturer. There are two types of “gasohol”: one containing ethanol, and the other containing methanol. Do not use gasohol that contains more than 10% ethanol. Do not use gasoline containing methanol (methyl or wood alcohol) that does not also contain co-solvents and corrosion inhibitors for methanol. Never use gasoline containing more than 5% methanol, even if it has co-solvents and corrosion inhibitors.

NOTE: Fuel system damage or engine performance problems resulting from the use of fuels that contain alcohol is not covered under the warranty. The engine manufacturer cannot endorse the use of fuels containing methanol since evidence of their suitability is incomplete at this time.

Before buying gasoline from an unfamiliar station, try to find out if the gasoline contains alcohol. If it does, confirm the type and percentage of alcohol used. If you notice any undesirable operating characteristics while using a gasoline that contains alcohol, or one that you think contains alcohol, switch to a gasoline that you know does not contain alcohol.

Setup

Perform the following procedure before starting the engine of a gas-powered sprayer.

1. Ensure that the siphon tube and the return hose are attached and secure.
2. Attach the supplied grounding cable to a grounded object.
3. Using a wrench, attach a minimum of 50' of 1/4" nylon airless spray hose to the outlet fitting on the sprayer. Tighten securely.
4. Attach an airless spray gun to the spray hose. Using two wrenches (one on the gun and one on the hose), tighten securely.

NOTE: Do not attach the tip to the spray gun yet. Remove the tip if it is already attached.



Make sure all airless hoses and spray guns are electrically grounded and rated at or above the maximum operating pressure range of the airless sprayer.

5. Turn the pressure control knob fully counterclockwise to its lowest pressure setting.
6. Make sure the sprayer ON/OFF switch is in the OFF position.
7. Fill the fluid section oil cup with approximately one tablespoon of separating oil (P/N 313-481).

IMPORTANT: Never operate unit for more than ten seconds without fluid. Operating this unit without fluid will cause unnecessary wear to the packings.

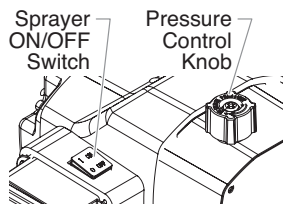
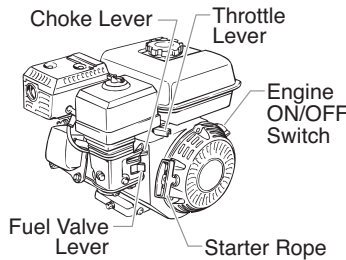
8. Check the engine oil level. The gasoline engine oil level is determined by the manufacturer. Refer to the engine manufacturer's service manual (supplied).
9. Close the fuel shut-off lever and fill the gas tank with gasoline. Use only high quality, unleaded gasoline.

Preparing a New Sprayer

If this unit is new, it is shipped with test fluid in the fluid section to prevent corrosion during shipment and storage. This fluid must be thoroughly cleaned out of the system with mineral spirits before you begin spraying.

IMPORTANT: Always keep the trigger lock on the spray gun in the locked position while preparing the system.

1. Place the siphon tube into a container of mineral spirits that has a flash point of 60°C (140°F) or above.
2. Place the return hose into a metal waste container.
3. Turn the pressure control knob fully counterclockwise to its lowest pressure setting.
4. Move the PRIME/SPRAY valve to the PRIME position.
5. Move the engine ON/OFF switch to the ON position.
6. Start the engine:
 - a. Open the fuel valve lever.
 - b. Move the throttle lever away from the gas tank.
 - c. Close the engine choke lever.
 - d. Holding the frame with one hand, pull the starter rope rapidly and firmly. Continue to hold the rope as you let it return. Pull and return the rope until the engine starts.
7. Turn on the sprayer by moving the sprayer ON/OFF switch to the ON position.
8. Slowly turn the pressure control knob clockwise to increase the pressure until fluid starts to come out of the



return hose. Use only enough pressure to keep the fluid coming out.

9. Allow the sprayer to run for 15–30 seconds to flush the test fluid out through the return hose and into the waste container.
10. Turn the pressure control knob fully counterclockwise to its lowest setting.
11. Turn off the sprayer by moving the sprayer ON/OFF switch to the OFF position.

Preparing to Paint

Before painting, it is important to make sure that the fluid in the system is compatible with the paint that is going to be used.

NOTE: Incompatible fluids and paint may cause the valves to become stuck closed, which would require disassembly and cleaning of the sprayer's fluid section.

IMPORTANT: Always keep the trigger lock on the spray gun in the locked position while preparing the system.

1. Place the siphon tube into a container of the appropriate solvent for the material being sprayed (refer to recommendations of the material manufacturer). An example of the appropriate solvent is water for latex paint.
2. Place the return hose into a metal waste container.
3. Turn the pressure control knob fully counterclockwise to its lowest pressure setting.
4. Move the PRIME/SPRAY valve to the PRIME position.

NOTE: Hold the return hose in the waste container when moving the PRIME/SPRAY valve to PRIME in case the sprayer is pressurized.

5. Move the engine ON/OFF switch to the ON position.
6. Start the engine:
 - a. Open the fuel valve lever.
 - b. Move the throttle lever away from the gas tank.
 - c. Close the engine choke lever.
 - d. Holding the frame with one hand, pull the starter rope rapidly and firmly. Continue to hold the rope as you let it return. Pull and return the rope until the engine starts.
7. Turn on the sprayer by moving the sprayer ON/OFF switch to the ON position.
8. Slowly turn the pressure control knob clockwise to increase the pressure until fluid starts to come out of the return hose. Use only enough pressure to keep the fluid coming out.
9. Allow the sprayer to run for 15–30 seconds to flush the old solvent out through the return hose and into the metal waste container.
10. Turn the pressure control knob fully counterclockwise to its lowest setting.
11. Turn off the sprayer by moving the sprayer ON/OFF switch to the OFF position.

NOTE: Make sure that the spray gun does not have a tip or tip guard installed.

12. Move the PRIME/SPRAY valve to the SPRAY position.
13. Turn on the sprayer.
14. Turn the pressure control knob slowly clockwise to increase pressure.
15. Unlock the gun by turning the gun trigger lock to the unlocked position.



Ground the gun by holding it against the edge of the metal container while flushing. Failure to do so may lead to a static electric discharge, which may cause a fire.



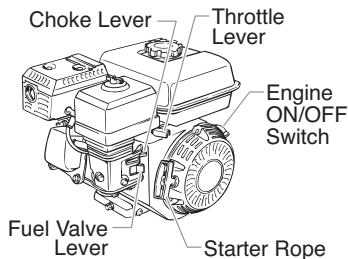
16. Trigger the gun into the metal waste container until the old solvent is gone and fresh solvent is coming out of the gun.
17. Lock the gun by turning the gun trigger lock to the locked position.
18. Set down the gun and increase the pressure by turning the pressure control knob slowly clockwise to its highest setting.
19. Check the entire system for leaks. If leaks occur, turn the sprayer off and follow the "Pressure Relief Procedure" in this manual before tightening any fittings or hoses.
20. Follow the "Pressure Relief Procedure" in this manual before changing from solvent to paint.



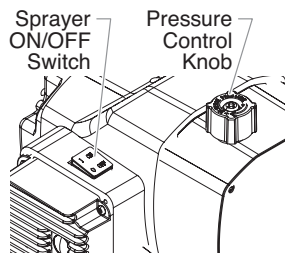
Be sure to follow the pressure relief procedure when shutting the unit down for any purpose, including servicing or adjusting any part of the spray system, changing or cleaning spray tips, or preparing for cleanup.

Painting

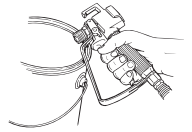
1. Place the siphon tube into a container of paint.
2. Place the return hose into a metal waste container.
3. Turn the pressure control knob fully counterclockwise to its lowest pressure setting.
4. Move the PRIME/SPRAY valve to the PRIME position.
5. Move the engine ON/OFF switch to the ON position.
6. Start the engine:
 - a. Open the fuel valve lever.
 - b. Move the throttle lever away from the gas tank.
 - c. Close the engine choke lever.
 - d. Holding the frame with one hand, pull the starter rope rapidly and firmly. Continue to hold the rope as you let it return. Pull and return the rope until the engine starts.



7. Turn on the sprayer by moving the sprayer ON/OFF switch to the ON position.
8. Slowly turn the pressure control knob clockwise to increase the pressure until fluid starts to come out of the return hose. Use only enough pressure to keep the fluid coming out.
9. Allow the sprayer to run until paint is coming through the return hose into the metal waste container.
10. Turn the pressure control knob fully counterclockwise to its lowest setting.
11. Turn off the sprayer by moving the sprayer ON/OFF switch to the OFF position.
12. Remove the return hose from the waste container and place it in its operating position above the container of paint.
13. Move the PRIME/SPRAY valve to the SPRAY position.
14. Turn on the sprayer.
15. Turn the pressure control knob slowly clockwise to increase pressure.
16. Unlock the gun by turning the gun trigger lock to the unlocked position.



Ground the gun by holding it against the edge of the metal container while flushing. Failure to do so may lead to a static electric discharge, which may cause a fire.



17. Trigger the gun into the metal waste container until all air and solvent is flushed from the spray hose and paint is flowing freely from the gun.
18. Lock the gun by turning the gun trigger lock to the locked position.
19. Turn the pressure control knob fully counterclockwise to its lowest setting.
20. Turn off the sprayer.
21. Attach tip guard and tip to the gun as instructed by the tip guard or tip manuals.



POSSIBLE INJECTION HAZARD. Do not spray without the tip guard in place. Never trigger the gun unless the tip is in either the spray or the unclog position. Always engage the gun trigger lock before removing, replacing or cleaning tip.

22. Turn on the sprayer.
23. Increase the pressure by turning the pressure control knob slowly clockwise and test the spray pattern on a piece of cardboard. Adjust the pressure control knob until the spray from the gun is completely atomized. Try to keep the pressure control knob at the lowest setting that maintains good atomization.

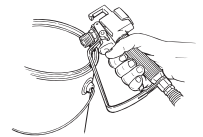
NOTE: Turning the pressure up higher than needed to atomize the paint will cause premature tip wear and additional overspray.

Pressure Relief Procedure



Be sure to follow the pressure relief procedure when shutting the unit down for any purpose, including servicing or adjusting any part of the spray system, changing or cleaning spray tips, or preparing for cleanup.

1. Lock the gun by turning the gun trigger lock to the locked position.
2. Turn off the sprayer by moving the sprayer ON/OFF switch to the OFF position.
3. Turn off the engine by moving the engine ON/OFF switch to the OFF position.
4. Turn the pressure control knob counterclockwise to its lowest setting.
5. Unlock the gun by turning the gun trigger lock to the unlocked position.
6. Hold the metal part of the gun firmly to the side of a metal container to ground the gun and avoid a build up of static electricity.
7. Trigger the gun to remove any pressure that may still be in the hose.
8. Lock the gun by turning the gun trigger lock to the locked position.
9. Move the PRIME/SPRAY valve to the PRIME position.

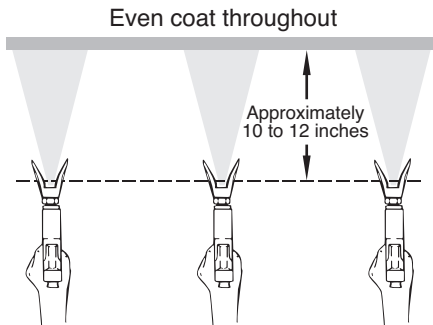


Spraying

NOTE: When spraying block filler, mastics or high solid coating, remove the gun filter and high pressure filter screens.

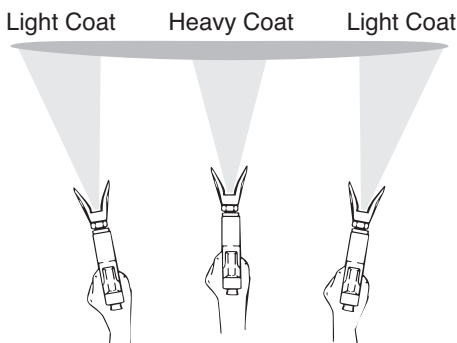
Spraying Technique

The key to a good paint job is an even coating over the entire surface. This is done by using even strokes. Keep your arm moving at a constant speed and keep the spray gun at a constant distance from the surface. The best spraying distance is 10 to 12 inches between the spray tip and the surface.



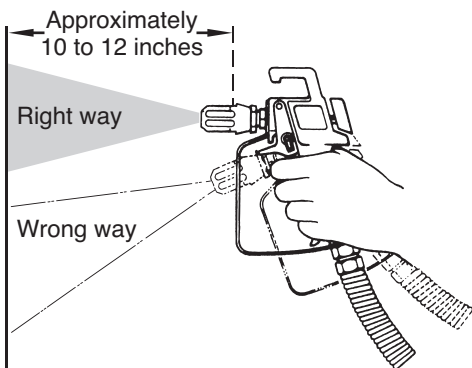
Keep stroke smooth and at an even speed.

Keep the spray gun at right angles to the surface. This means moving your entire arm back and forth rather than just flexing your wrist.

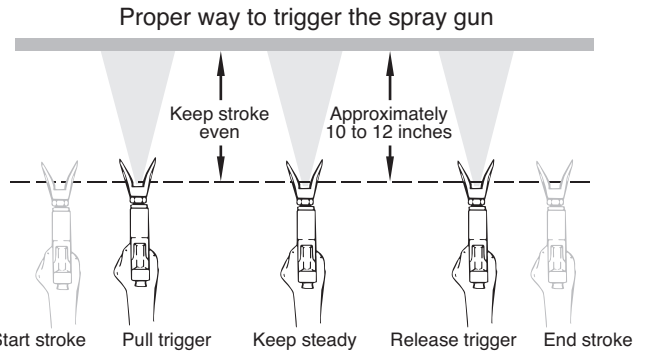


Do not flex wrist while spraying.

Keep the spray gun perpendicular to the surface, otherwise one end of the pattern will be thicker than the other.



The spray gun should be triggered by turning it on and off with each stroke. This will save paint and avoid paint buildup at the end of the stroke. Do not trigger the gun during the middle of a stroke. This will result in an uneven spray and splotchy coverage.

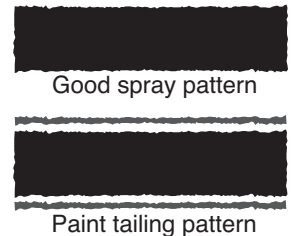


Overlap each stroke by about 30%. This will ensure an even coating.

When you stop painting, lock the gun trigger lock, turn the pressure control knob counterclockwise to its lowest setting and set the PRIME/SPRAY valve to PRIME. Turn the ON/OFF switch to the OFF position and unplug the sprayer.

Practice

1. Be sure that the paint hose is free of kinks and clear of objects with sharp cutting edges.
2. Turn the pressure control knob counterclockwise to its lowest setting.
3. Move the PRIME/SPRAY valve to the SPRAY position.
4. Turn the pressure control knob clockwise to its highest setting. The paint hose should stiffen as paint begins to flow through it.
5. Unlock the gun trigger lock.
6. Trigger the spray gun to bleed air out of the hose.
7. When paint reaches the spray tip, spray a test area to check the spray pattern.
8. Use the lowest pressure setting necessary to get a good spray pattern. If the pressure is set too high, the spray pattern will be too light. If the pressure is set too low, tailing will appear or the paint will spatter out in gobs rather than in a fine spray.



Cleanup



Special cleanup instructions for use with flammable solvents:

- Always flush spray gun preferably outside and at least one hose length from spray pump.
- If collecting flushed solvents in a one gallon metal container, place it into an empty five gallon container, then flush solvents.
- Area must be free of flammable vapors.
- Follow all cleanup instructions.

IMPORTANT: The sprayer, hose, and gun should be cleaned thoroughly after daily use. Failure to do so permits material to build up, seriously affecting the performance of the unit.



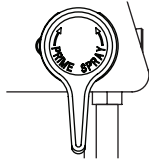
Always spray at minimum pressure with the gun nozzle tip removed when using mineral spirits or any other solvent to clean the sprayer, hose, or gun. Static electricity buildup may result in a fire or explosion in the presence of flammable vapors.

1. Follow the "Pressure Relief Procedure" found in the Operation section of this manual.
2. Remove the gun tip and tip guard and clean with a brush using the appropriate solvent.
3. Place the siphon tube into a container of the appropriate solvent (refer to recommendations of the material)

manufacturer). An example of the appropriate solvent is water for latex paint.

- Place the return hose into a metal waste container.
- Move the PRIME/SPRAY valve to its PRIME position.

NOTE: Hold the return hose in the waste container when moving the PRIME/SPRAY valve to PRIME in case the sprayer is pressurized.



- Move the engine ON/OFF switch to the ON position and start the engine.

- Turn on the sprayer by moving the sprayer ON/OFF switch to the ON position.

- Slowly turn the pressure control knob clockwise to increase the pressure until fluid starts to come out of the return hose.

- Allow the solvent to circulate through the sprayer and flush the paint out of the return hose into the metal waste container.

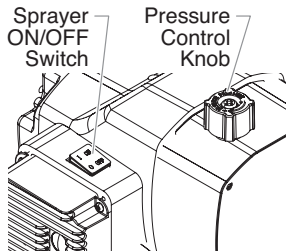
- Turn the pressure control knob fully counterclockwise to its lowest setting.

- Turn off the sprayer by moving the ON/OFF switch to the OFF position.

- Move the PRIME/SPRAY valve to its SPRAY position.

- Turn on the sprayer.

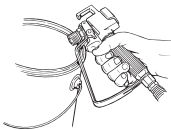
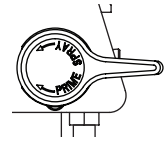
- Turn the pressure control knob slowly clockwise to increase pressure.



Ground the gun by holding it against the edge of the metal container while flushing. Failure to do so may lead to a static electric discharge, which may cause a fire.

- Trigger the gun into the metal waste container until the paint is flushed out of the hose and solvent is coming out of the gun.

- Continue to trigger the spray gun into the waste container until the solvent coming out of the gun is clean.



NOTE: For long-term or cold weather storage, pump mineral sprits through the entire system.

- Follow the "Pressure Relief Procedure" found in the Operation section of this manual.

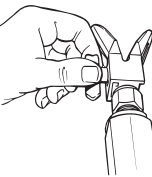
- Store the sprayer in a clean, dry area.

IMPORTANT: Do not store the unit under pressure.

Cleaning the Spray Tip

- Flush the gun with solvent immediately after the work is completed.
- Oil the sliding pins to prevent them from seizing up.

Should the spray tip become clogged, reverse the spray tip with the lever and pull the trigger. Once the obstruction comes out of the spray tip, release the trigger, reverse the spray tip back to the spray pattern setting, and resume spraying.



Do not attempt to clean the tip with your finger.

Do not use a needle or other sharp pointed instrument to clean the tip. The hard tungsten carbide is brittle and can be chipped.

Maintenance



Before proceeding, follow the Pressure Relief Procedure outlined previously in this manual. Additionally, follow all other warnings to reduce the risk of an injection injury, injury from moving parts or electric shock.

NOTE: All Robin-Subaru engine work should be performed by a Robin-Subaru authorized service center.

General Repair and Service Notes

The following tools are needed when repairing this sprayer:

Phillips screwdriver	3/8" hex wrench
needle-nose pliers	5/16" hex wrench
adjustable wrench	1/4" hex wrench
rubber mallet	3/16" hex wrench
flat-blade screwdriver	1/8" hex wrench
1/2" open-end wrench	7/8" open-end wrench

- Before repairing any part of the sprayer, read the instructions carefully, including all warnings.

IMPORTANT: Never pull on a wire to disconnect it. Pulling on a wire could loosen the connector from the wire.

- Test your repair before regular operation of the sprayer to be sure that the problem is corrected. If the sprayer does not operate properly, review the repair procedure to determine if everything was done correctly. Refer to the Troubleshooting section to help identify other possible problems.
- Make certain that the service area is well ventilated in case solvents are used during cleaning. Always wear protective eyewear while servicing. Additional protective equipment may be required depending on the type of cleaning solvent. Always contact the supplier of solvents for recommendations.
- If you have any further questions concerning your TITAN airless sprayer, call TITAN:

Technical Service (U.S.) 1-800-526-5362
 Fax 1-800-528-4826

Maintaining the Engine



When transporting a sprayer with a gas engine, make sure the fuel is shut off.

NOTE: For detailed engine specifications and maintenance, refer to the separate engine manual supplied with this sprayer.

Important Facts Concerning this Sprayer

This gas-powered sprayer contains a clutch that engages when the sprayer is pumping. The sprayer's pressure control system engages and disengages the clutch to control pressure. To prevent unnecessary wear to the clutch, it is advisable to adjust the engine speed and pressure setting to limit the amount of times the clutch engages and disengages. To reduce clutch wear, refer to the following examples.

Example:

Operating one gun with a .019 tip — reduce the engine speed by adjusting the throttle to a low or medium setting and increase pressure only until the heavy ends of the spray pattern have been eliminated.

Example:

Operating one gun with .029 tip — increase engine speed to a higher setting and increase pressure until the heavy ends of the spray pattern have been eliminated.

Example:

Spraying light-bodied materials at low pressure — to reduce surging at the gun and to decrease clutch wear, reduce the engine speed to idle and reduce pressure until the desired spray pattern is achieved.

Routine Engine Maintenance

Daily

- Check and fill the gas tank.
- After the first 20 hours of operation, drain the oil and refill with clean oil. Check the engine oil level and fill as necessary.

Weekly

- Remove the cover of the air filter and clean the element. Replace the element if necessary. If operating in an unusually dusty environment, check the filter daily and replace if necessary. (Replacement elements can be purchased from your local Titan dealer.)
- After each 50 hours of operation: Change the engine oil.

Spark Plug

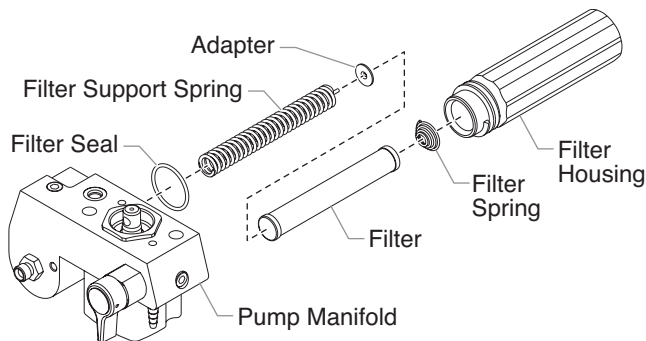
- Use only a (NGK) BR6HS or Champion RL86C plug.
- Gap the plug 0.020" – 0.030"
- Make sure to use a spark plug wrench when installing and removing the plug.

Cleaning or Replacing the Filters

Pump Filter

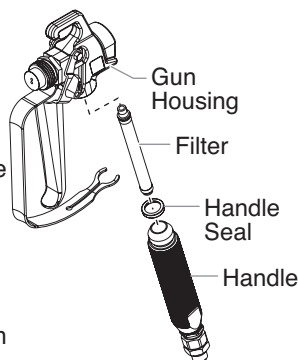
1. Loosen and remove the filter housing by hand. Pull the filter out of the pump manifold.
2. Slip the filter off of the filter support spring.
3. Inspect the filter. Based on inspection, clean or replace the filter.
4. Inspect the filter seal. Based on inspection, clean or replace the filter seal.
5. Slide the new or cleaned filter over the filter support spring with the adapter in place. Push the filter into the center of the pump manifold.
6. Slide the filter housing over the filter and thread it into the pump manifold until secure.

NOTE: The filter housing should be hand-tightened, but make sure the filter housing is seated fully into the pump manifold.



Gun Filter

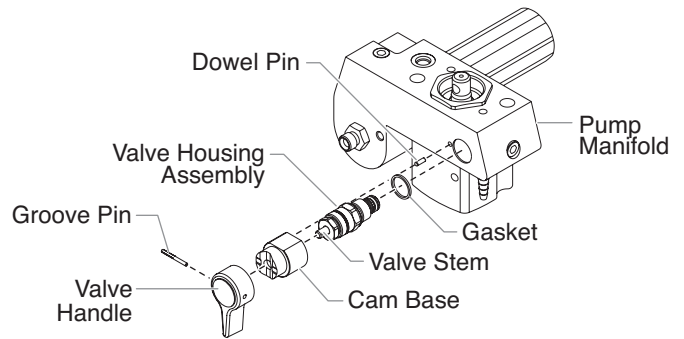
1. Pull the bottom of the trigger guard forward so that it comes loose from the handle assembly.
2. Loosen and remove the handle assembly from the gun head.
3. Pull the old filter out of the gun head.
4. Slide the new filter, tapered end first, into the gun head.
5. Make sure the handle seal is in position and thread the handle assembly into the gun head until secure.
6. Snap the trigger guard back onto the handle assembly.



Replacing the PRIME/SPRAY Valve

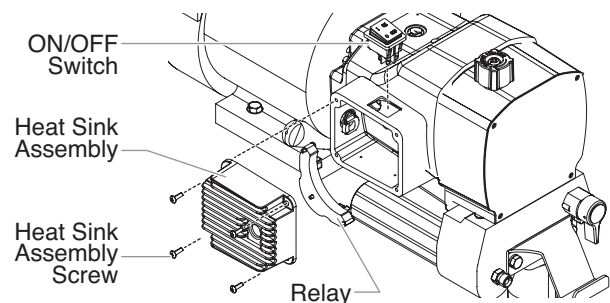
Perform the following procedure using PRIME/SPRAY valve replacement kit P/N 0507690.

1. Drive the groove pin out of the valve handle.
2. Remove the valve handle and the cam base.
3. Using a wrench, loosen and remove the valve housing assembly from the pump manifold.
4. Make sure the gasket is in place and thread the new valve housing assembly into the pump manifold. Tighten securely with a wrench.
5. Place the cam base over the valve housing assembly. Lubricate the cam base with grease and line up the cam with the pump manifold using the dowel pin.
6. Line up the hole on the valve stem with the hole in the valve handle.
7. Insert the groove pin into the valve handle and through the valve stem to secure the valve handle in position.



Replacing the Sprayer ON/OFF Switch

1. Perform the Pressure Relief Procedure.
2. Using a Phillips screwdriver, remove the four screws that secure the heat sink assembly to the housing. Carefully remove the heat sink assembly from the housing. Gently move the assembly away from the sprayer and allow the assembly to hang from the housing.
3. Locate the bottom of the sprayer ON/OFF switch inside the housing.



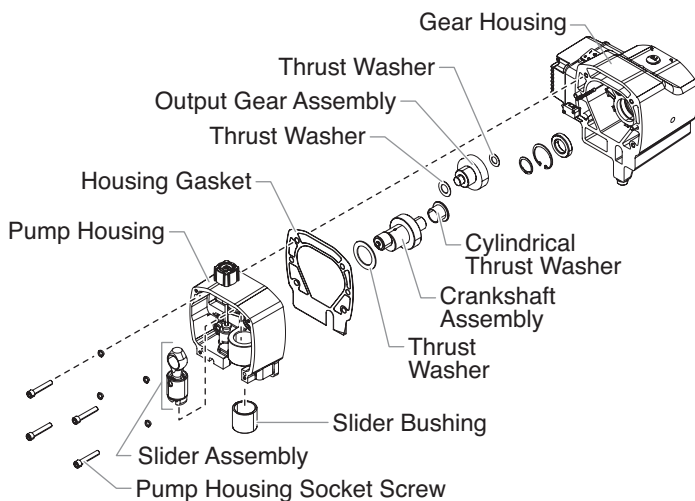
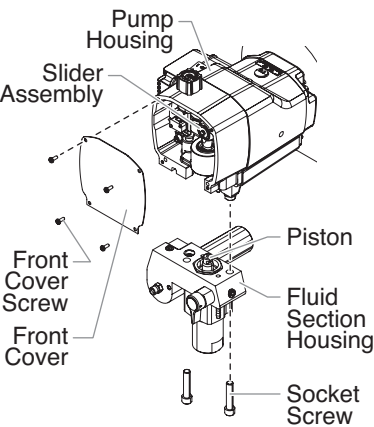
4. Disconnect the switch wires from the sprayer ON/OFF switch. Remember the locations of each of the two wires (label the wires, if necessary).
5. Depress the mounting tabs on each corner of the sprayer ON/OFF switch inside the housing and remove the switch through the top of the housing.
6. Snap the new sprayer ON/OFF switch into the switch hole in the housing.
7. Connect the two switch wires to the new sprayer ON/OFF switch. Make sure the wires are connected to the corresponding terminals from which they were removed (refer to the labels created earlier in this procedure or the electrical schematic in the Parts List section of this manual).
8. Carefully place the heat sink assembly over the housing taking care not to pinch any wires.
9. Install the four screws that secure the heat sink assembly to the housing. Tighten securely.

Replacing the Gears and/or Slider Assembly

- Using a Phillips screwdriver, remove the four front cover screws. Remove the front cover.
- Start the engine (refer to the procedures in the Operation section of this manual). Turn the pressure control knob clockwise to its maximum pressure setting.
- Toggle the sprayer ON/OFF switch between the ON and OFF positions in short bursts until the slider assembly and piston stop at the bottom of their stroke (in their lowest position).
- Turn off the engine and perform the Pressure Relief Procedure.

NOTE: If replacing the slider assembly, the fluid section must be removed from the pump housing.

- Using a 3/8" hex wrench, remove the two socket screws that secure the fluid section to the pump housing.
- Pull fluid section housing down approximately 1/2" from the gear box housing to clear the transducer.
- Slide the fluid section housing and piston rod forward until the piston rod is out of the T-slot on the slider assembly.
- Using a 1/4" hex wrench, remove the four socket screws that secure the pump housing to the gear housing.



- Slide the pump housing away from the gear housing.
- Remove and clean the housing gasket. Replace if damaged.
- Slide the crankshaft assembly, with the two thrust washers out from the gear housing side of the pump housing.
- Remove the output gear assembly with the two thrust washers.
- Thoroughly clean the crankshaft assembly, the output gear assembly, and all the thrust washers.
- Inspect all parts for excessive wear and replace if damaged or worn. If the crankshaft or output gear assembly are replaced, replace the corresponding thrust washers as well.
- Inspect the pinion gear on the end of the drive shaft for wear. Replace if damaged or worn (refer to the "Servicing the Clutch Assembly" procedure in this section).

NOTE: If any of the gears are worn and require replacement, check the grease in the gear housing for metal particles or shavings. Remove the contaminated grease. Replace the grease that has been removed with fresh Lubriplate GR-132 grease.

- Slide the slider assembly up and out of the slider bushing in the front of the pump housing.
- Check the parts for wear.
 - If the slider bushing is scored or out of round the pump housing should be replaced.
 - If the slider assembly is scored or the connection between the connecting rod and slider assembly exhibits movement other than pivoting movement, the slider assembly should be replaced. The slider assembly also should be replaced if the connecting rod bearing shows signs of wear.
 - Any parts that will be reused should be cleaned thoroughly, including the connecting rod. Also, clean the crankshaft pin that the connecting rod bearing rides on.
- Coat the output gear assembly and each side of its thrust washers with fresh Lubriplate GR-132 grease. Place the thrust washers on their proper shaft of the output gear assembly.
- Lubricate the output gear assembly with fresh Lubriplate GR-132 grease. Insert the gear assembly into its bore in the gear housing, gear end first. The teeth on the gear will mate with the teeth on the drive shaft pinion.
- Generously coat all surfaces of the cylindrical crankshaft assembly thrust washer with fresh Lubriplate GR-132 grease.
- Slip the flat end of the cylindrical thrust washer behind the gear on the output gear assembly, lining its bore up with the gear housing bearing bore for the crankshaft assembly.
- Lubricate the crankshaft assembly gear with fresh Lubriplate GR-132 grease. Slide the gear side shaft of the crankshaft through the cylindrical thrust washer and into its bore within the gear housing.
- Position the pin on the end of the crankshaft towards the bottom of the gear housing (the bottom dead center position).
- Lubricate both faces of the large crankshaft assembly thrust washer with fresh Lubriplate GR-132 grease. Place the thrust washer onto the crankshaft against the gear.
- Place the housing gasket over the gear housing dowel pins.
- Lubricate the outside of the slider assembly and the inside of the slider bushing with oil. Fill the slider cup with Lubriplate 1242 grease (the slider cup is the area on the slider assembly where the connecting rod and slider join and pivot).
- Insert the slider assembly into the slider bushing.
- Carefully place the pump housing assembly in front of the gear housing assembly, lining up the gear housing dowel pins with their corresponding holes in the pump housing. Slide the pump housing onto the gear housing until there is no gap between the housings and gasket.

NOTE: While sliding the pump housing into place, the crankshaft pin will begin to protrude from the bearing in the center of the pump housing. Position the slider assembly so that as the crankshaft pin protrudes from the main bearing, it engages the connecting rod bearing.

IMPORTANT: Do not force the pump housing and gear housing together.

- Locate the four socket screws and lock washers that secure the pump housing to the gear housing.
- Using a 1/4" hex wrench, snug and tighten the socket screws in a crossing pattern. Torque to 200–230 in./lbs.

31. Slide the top of the piston rod into the T-slot on the slider assembly.
32. Position the pump block underneath the gear box housing and push up until it rests against the gear box housing.
33. Insert the two socket screws that secure the fluid section to the pump housing and alternately snug, tighten, and torque the screws to 400-440 in./lbs.
34. Position the front cover over the pump housing. Secure the front cover using the four front cover screws.

Replacing the Transducer

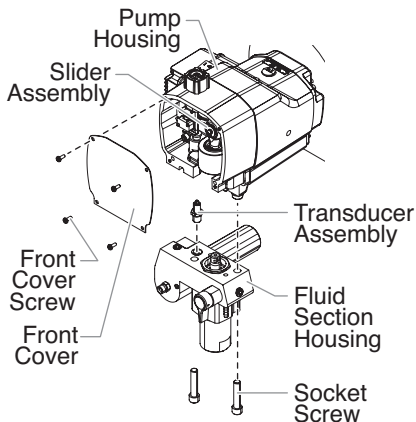
1. Loosen and remove the four front cover screws. Remove the front cover.
2. Stop the sprayer at the bottom of its stroke so that the piston is at its lowest position.
3. Perform the Pressure Relief Procedure.



Before proceeding, follow the Pressure Relief Procedure outlined previously in this manual. Additionally, follow all other warnings to reduce the risk of an injection injury, injury from moving parts or electric shock.

4. Tilt the sprayer back for easy access to the fluid section.
5. Using a 3/8" hex wrench, loosen and remove the two socket screws.
6. Pull the fluid section down approximately 1/2" from the housing to clear the transducer.
7. Slide the fluid section and piston rod forward until the piston rod is out of the T-slot on the connecting rod.
8. Using a wrench, remove the transducer assembly from the fluid section.
9. Thread the new transducer assembly from the fluid section. Tighten securely with a wrench.
10. Reassemble the pump by reversing steps 1-8.

IMPORTANT: Make sure the transducer is aligned properly with the hole in the fluid section during reassembly. Improper alignment may cause damage to the transducer O-ring.



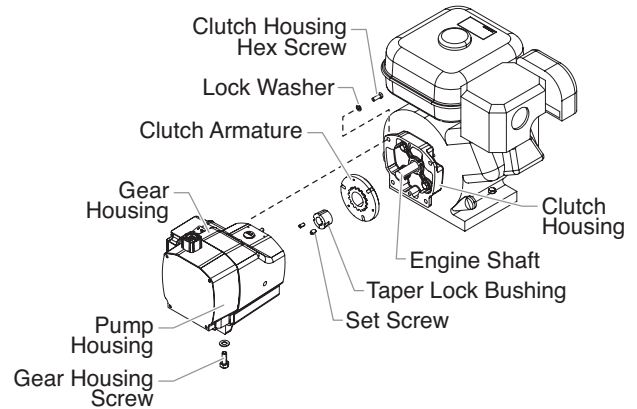
Servicing the Clutch Assembly

NOTE: When replacing the clutch armature, the clutch rotor must be replaced also. This will allow for even wear and maximum life on clutch parts.

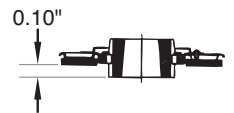
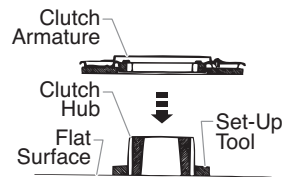
Removing/Replacing the Clutch Armature Assembly

1. Perform the Pressure Relief Procedure.
2. Locate the wire that exits the rear of the pressure control housing and connects to the wire harness on the engine. Disconnect this wire from its connector at the engine wire harness.

3. Using a 12 point, 5/16" wrench, remove the four screws and lock washers that secure the clutch housing to the gear housing.
4. Using a 9/16" socket, remove the screw that secures the gear housing to the cart.
5. Slide the pump and gear housings away from the engine to disengage them from the clutch housing.

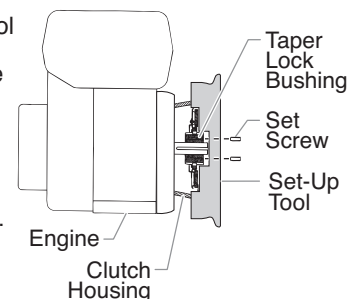


6. Locate the clutch armature assembly on the end of the engine shaft. Note the two set screws as well as the unused, threaded hole in the taper lock bushing at the center of the clutch hub.
7. Using an 1/8" hex wrench, remove the two set screws from the taper lock bushing.
8. Thread one of the set screws into the unused, threaded hole on the taper lock bushing. As the screw tightens, the bushing will loosen. Once the bushing has loosened enough, slide the clutch armature assembly off the engine shaft.
9. Before replacing the clutch hub and armature assembly the proper "set back" must be created. Using the Titan hub set-up tool (P/N 0555926), create a "set back" of 0.10" between the friction surface of the clutch armature and the forward face of the clutch hub.



NOTE: A new clutch hub and armature assembly will come pre-assembled, but the "set back" may not be correct. The "set back" must still be created using the hub set-up tool.

10. To replace the clutch armature assembly, line up the three holes in the taper lock bushing with the three holes in the clutch armature and insert the bushing into the center of the clutch armature.
11. Line up the key on the taper lock bushing with the keyway on the engine shaft and slide the assembly onto the shaft with the holes facing out.
12. Apply blue Loctite to the two set screws and insert the screws into the taper lock bushing. Tighten the set screws only two turns at this time.
13. Using the clutch set-up tool (P/N 0555926), position the clutch armature on the engine shaft. Hold the tool across the face of the clutch housing so that the center, recessed portion of the tool straddles the clutch armature assembly. Pull the clutch armature

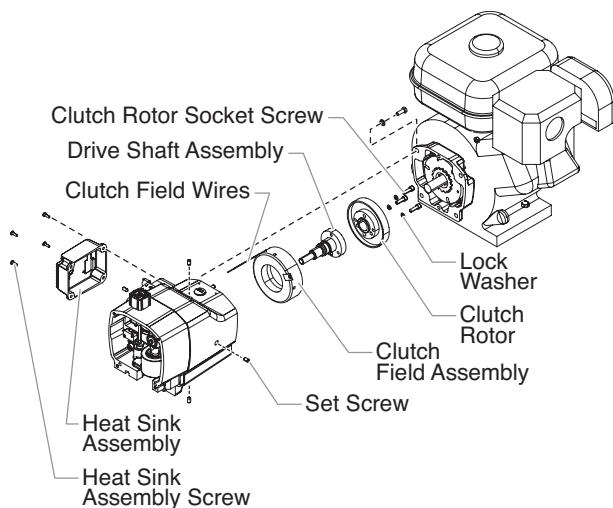


assembly towards the tool until the face of the armature is against the tool.

14. While holding the clutch armature assembly against the tool, use an 1/8" hex wrench and alternately tighten the set screws into the taper lock bushing. Torque to 65–75 in/lbs.
15. Make sure the friction surface of the clutch armature is clean and free from oil or grease.

Removing the Clutch Rotor, Clutch Field, and Drive Shaft Assembly

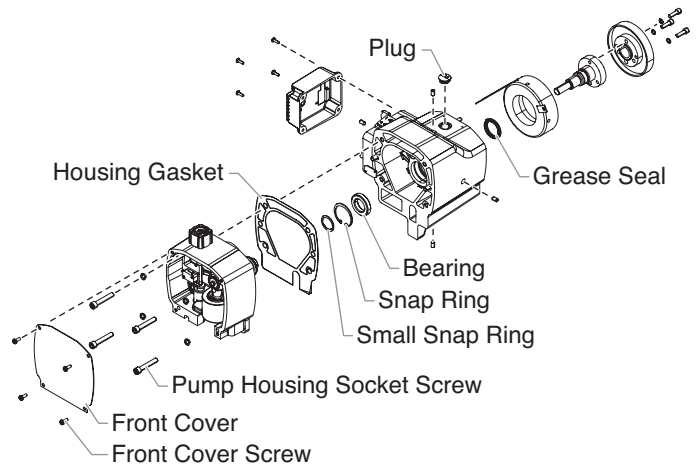
1. Follow steps 1–7 in "Removing/Replacing the Clutch Armature Assembly."
2. Locate the clutch rotor assembly, which will be inside the rear the gear housing. Note the locations of the three socket screws and the two empty, threaded holes on the clutch rotor.
3. Using a 3/16" hex wrench, remove the three socket screws and lock washers that secure the clutch rotor to the drive shaft assembly.
4. Thread two of the socket screws into the empty, threaded holes and tighten alternately. This will push the clutch rotor away from the drive shaft assembly and pinion.
5. Using a Phillips screwdriver, remove the four screws that secure the heat sink assembly to the housing. Carefully remove the heat sink assembly from the housing.
6. Locate the two clutch field wires that pass from the gear housing into the control housing through a hole in the back of the control housing. Remember the wire connection terminals on the relay assembly (label if necessary) and disconnect the wires. Gently move the heat sink assembly away from the housing and rest it on the work surface by the control housing.
7. Locate the four pairs of set screws that secure the clutch field to the gear housing. They are located on the exterior of the gear housing at the 12, 3, 6, and 9 o'clock positions while facing the clutch field end of the gear housing. Using an 1/8" hex wrench, remove the setscrews. Remember the location of the two clutch field wires with respect to the grommet and EPC housing.
8. Carefully slide the clutch field out of the gear housing, keeping the field square to the gear housing so it does not bind.



NOTE: To remove the drive shaft assembly, the pump housing first must be removed from the gear housing.

9. Using a Phillips screwdriver, remove the four front cover screws. Remove the front cover.
10. Using a 1/4" hex wrench, remove the four socket screws that secure the pump housing to the gear housing.
11. Slide the pump housing away from the gear housing.

12. Remove and clean the housing gasket. Replace if damaged.
13. Locate the drive shaft pinion that is protruding from the front side of the gear housing. Remove the small snap ring that is located on the drive shaft hub in front of the ball bearing that is supporting the drive shaft.
14. From the opposite side of the gear housing (clutch side) slide the drive shaft assembly out of the gear housing.
15. Inspect the grease seal located inside the bore from which the drive shaft was removed. Replace if worn or damaged. To remove the grease seal, use a flat blade screwdriver to carefully pry the seal from the bore.
16. Clean the inside of the gear housing.



Installing the Clutch Rotor Assembly, Clutch Field and Drive Shaft Assembly

1. If the drive shaft grease seal was removed, press a new seal into the bore from which the old seal was removed.
2. From the clutch side of the gear housing, insert the drive shaft assembly into the bore, through the grease seal, and through the ball bearing on the gear side of the gear housing.
3. From the gear side of the gear housing, insert the snap ring into the groove on the drive shaft hub in front of the ball bearing.
4. Place the housing gasket over the gear housing dowel pins.
5. Carefully place the pump housing assembly in front of the gear housing assembly, lining up the gear housing dowel pins with their corresponding holes in the pump housing. Slide the pump housing onto the gear housing until there is no gap between the housings and gasket.

IMPORTANT: Do not force the pump housing and gear housing together.

6. Locate the four socket screws and lock washers that secure the pump housing to the gear housing.
7. Using a 1/4" hex wrench, snug and tighten the socket screws in a crossing pattern. Torque to 200–230 in./lbs.
8. Line up the four holes around the outside of the clutch field with the four set screw holes in the gear housing. The clutch field wires should be at approximately the 1 or 2 o'clock position.
9. Route the two clutch field wires through the hole and into the control housing.
10. Carefully slide the clutch field into its bore in the gear housing until it "bottoms out" within the housing. Do not pinch the clutch field wires during installation.
11. Thread one of the pointed set screws into its hole. Using an 1/8" hex wrench, rotate the screw slowly until it contacts the clutch field. **Do not tighten the set screw.** The tip of the set screw should mate with the drill point hole in the field. Check the clutch field for rotation. If it rotates within its bore, the set screw is not seated within the drill point.

12. When the set screw is properly seated, install the remaining three pointed set screws. Do not tighten the set screws.
13. Using a crossing pattern, tighten each of the pointed setscrews until they are snug. Once all four pointed set screws are snug, use a crossing pattern to tighten and torque the set screws to 70–80 in./lbs.

IMPORTANT: It is very important to evenly snug, tighten, and torque the clutch field pointed set screws in a crossing pattern. This ensures the clutch field will stay centered in the gear housing.

15. Line up the three screw holes and dowel pin hole on the clutch rotor with the screw holes and dowel pin on the drive shaft assembly hub. Place the clutch rotor onto the hub.
16. Using a 3/16" hex wrench, thread the three socket screws and lock washers through the clutch rotor and into the drive shaft assembly hub. Evenly snug, tighten, and torque the socket screws to 75–85 in./lbs.
17. Make sure the friction surface of the clutch rotor is clean and free from oil or grease.
18. Locate the two clutch field wires in the control housing. Gently pull the wires fully into the EPC housing so that there is no slack in the gear housing. Connect the wires to their proper terminals on the relay (refer to the labels created earlier in this procedure or the electrical schematic in the Parts List section of this manual).
19. Carefully place the heat sink assembly over the control housing taking care not to pinch any wires.
20. Install the four screws that secure the heat sink assembly to the control housing. Tighten securely.

Mating the Gear Housing and the Clutch Housing

1. Place the gear housing assembly onto the cart in front of the clutch housing. Line up the dowel pins in the gear housing with their corresponding holes in the clutch housing. Slide the gear housing assembly onto the clutch housing until there is no gap between the housings.
2. Thread the four hex screws and lock washers through the clutch housing and into the gear housing.
3. Using a 12 point, 5/16" wrench, snug and tighten the hex screws in a crossing pattern. Torque to 140–155 in./lbs.
4. Using a 9/16" socket, thread the hex screw that secures the gear housing to the cart through the underside of the cart and into the gear housing. Torque to 100–120 in./lbs.
5. Connect the wire from the EPC housing to its mating connector on the engine wire harness.

Checking the Clutch Gap

1. Remove the plastic plug from the top of the clutch housing. Look through the port to locate the clutch armature and the clutch rotor.
2. Check the gap between the clutch armature and the clutch rotor using a .016" feeler gauge and a .035" feeler gauge.
 - a. Insert each feeler gauge through the port and into the gap between the clutch armature and the clutch rotor. The .016" feeler gauge should fit in the gap. The .035" feeler gauge should not fit in the gap.
 - b. Pull the engine pull cord several times to rotate the clutch armature, checking the gap with each feeler gauge between each pull.
 - c. If the .016" gauge does not fit or the .035" gauge does fit at any checkpoint, the gap must be readjusted. This is done by relocating the clutch hub and armature assembly on the engine shaft. Refer to the "Removing/Replacing the Clutch Armature Assembly" procedure.

Servicing the Fluid Section

Use the following procedures to service the valves and repack the fluid section.

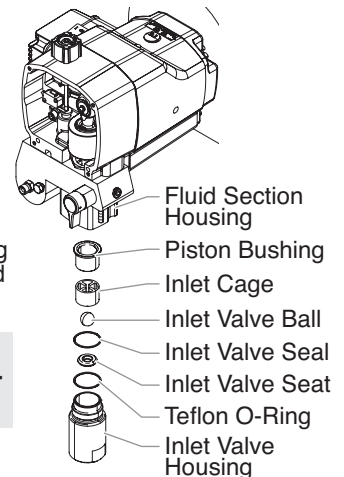
1. Using a Phillips screwdriver, remove the four front cover screws. Remove the front cover.
2. Start the engine (refer to the procedures in the Operation section of this manual). Turn the pressure control knob clockwise to its maximum pressure setting.
3. Toggle the sprayer ON/OFF switch between the ON and OFF positions in short bursts until the slider assembly and piston rod stop at the bottom of their stroke (in their lowest position).
4. Turn off the engine and perform the Pressure Relief Procedure.



Before proceeding, follow the Pressure Relief Procedure outlined previously in this manual. Additionally, follow all other warnings to reduce the risk of an injection injury, injury from moving parts or electric shock.

Servicing the Valves

The design of the fluid section allows access to the inlet valve and seat as well as the outlet valve and seat without completely disassembling the fluid section. It is possible that the valves may not seat properly because of debris stuck in the inlet valve seat or outlet valve seat. Use the following instructions to clean the valves and reverse or replace the seats.



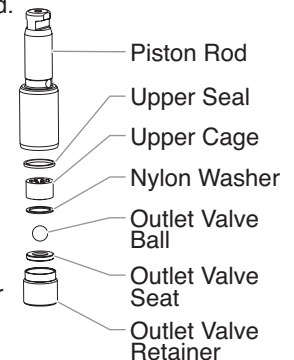
NOTE: Keep the sprayer in the upright position for this procedure.

1. Using a wrench, loosen and remove the inlet valve housing from the fluid section housing.
2. Clean out any debris in the inlet valve housing and examine the valve housing and seat. If the inlet valve seat is damaged, reverse the seat to the unused side or replace the seat.

NOTE: If the inlet valve seat is reversed or replaced, the inlet valve ball must be replaced.

3. Using a 3/8" hex wrench, loosen and remove the outlet valve retainer from the piston rod.

NOTE: Always service the outlet valve with the piston rod attached to the pump. This will prevent the piston rod from rotating during disassembly of the outlet valve.



4. Clean out any debris and examine the outlet valve retainer and seat. If the outlet valve seat is damaged, reverse to the unused side or replace the seat.

NOTE: If the outlet valve seat is reversed or replaced, the outlet valve ball must be replaced.

5. Remove, clean, and inspect the outlet cage and outlet valve ball. Replace if they are worn or damaged.
6. Reassemble the valves by reversing the steps above.

Repacking the Fluid Section

1. Remove the foot valve assembly using the steps in the "Servicing the Valves" procedure above.

NOTE: The outlet valve does not need to be disassembled from the piston rod for this procedure.

2. Using 3/8" a hex wrench, loosen and remove the two pump block mounting screws.

3. Pull the pump block down approximately 1/2" from the gear box housing.

4. Slide the pump block and piston rod forward until the piston rod is out of the T-slot on the slider assembly.

5. Slide the piston rod out through the bottom of the pump block

6. Loosen and remove the retainer nut and piston guide from the pump block.

7. Remove the upper and lower packings from the pump block.

8. Clean the pump block.

9. Locate the new upper and lower packings and pack the areas between the packing lips with grease. Lubricate the o-rings on the exterior of the packings with grease.

10. Inspect the piston rod for wear and replace if necessary.

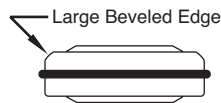
11. Insert the upper packing into the top of the pump block with the raised lip on the packing facing down.

12. Insert the piston guide into the retainer nut. Thread the retainer nut into the pump block until it is hand tight.

13. Pre-form the lower packing using the lower packing sizing tool (included in the repacking kit).

14. Insert the lower packing partially into the bottom of the pump block so that the side that has the o-ring closest to the face of the packing faces up.

Install upper packing with raised lip facing down.



Install lower packing with large beveled edge facing up.

15. Push the lower packing into position using the lower packing insertion tool (see Fluid Section Assembly parts list for lower packing insertion tool P/N).

16. Inspect the piston rod for wear and replace if necessary.

NOTE: Coat the piston guide tool and the piston rod with grease before inserting them into the pump block.

17. Place the piston insertion tool (included in the repacking kit) over the top of the piston rod.

18. Insert the piston rod into the bottom of the pump block, through the lower packing, through the upper packing, and out through the retainer nut. Using a rubber mallet, tap the bottom of the piston rod lightly until the piston rod is in position in the pump block.

NOTE: When repacking the fluid section, make sure the raised lip on the bottom of the lower packing is fully outside the packing around the piston rod after insertion of the piston rod.

19. Remove the piston insertion tool from the top of the piston rod.

20. Using a wrench, tighten the retainer nut into the pump block. Torque to 300-360 in. lbs.

21. Slide the top of the piston rod into the T-slot on the slider assembly.

22. Position the pump block underneath the gear box housing and push up until it rests against the gear box housing.

IMPORTANT: Make sure the transducer is aligned properly with the hole in the pump block during reassembly. Improper alignment may cause damage to the transducer gasket.

23. Thread the pump block mounting screws through the pump block and into the gear box housing. Torque to 400-440 in. lbs.

24. Reassemble the foot valve assembly into the pump block.

NOTE: During reassembly, make sure the o-ring between the pump block and foot valve housing is lubricated with grease and in position.

25. Thread the siphon tube into the foot valve housing and tighten securely. Make sure to wrap the threads on the siphon tube with Teflon tape before assembly. Replace the return hose into the clamp on the siphon tube.

26. Thread the return hose into the pump block and tighten securely.

27. Place the front cover on the gear box housing and secure in position using the four front cover screws.

28. Turn on the sprayer by following the procedure in the "Operation" section of this manual and check for leaks.

NOTE: Repacking kit P/N 0555960 is available. For best results use all parts supplied in this kit.

Troubleshooting

Problem	Cause	Solution
A. The unit will not run.	<ol style="list-style-type: none"> The pressure is set too low. Faulty or loose wiring. The gas tank is empty. 	<ol style="list-style-type: none"> Turn the pressure control knob clockwise to supply power to the unit and increase the pressure setting. Inspect or take to a Titan authorized service center. Fill the gas tank.
B. The unit will not prime.	<ol style="list-style-type: none"> The PRIME/SPRAY valve is in the SPRAY position. Air leak in the siphon tube/siphon set. The pump filter and/or inlet screen is clogged. The siphon tube/siphon set is clogged. 	<ol style="list-style-type: none"> Rotate the PRIME/SPRAY valve clockwise to the PRIME position. Check the siphon tube/siphon set connection and tighten or re-tape the connection with Teflon tape. Remove the pump filter element and clean. Remove the inlet screen and clean. Remove the siphon tube/siphon set and clean.
C. The unit will not build or maintain pressure.	<ol style="list-style-type: none"> The spray tip is worn. The spray tip is too large. The pressure control knob is not set properly. The pump filter, gun filter, or inlet screen is clogged. Material flows from the return hose when the PRIME/SPRAY valve is in the SPRAY position. Air leak in the siphon tube/siphon set. There is external fluid leak. There is an internal fluid section leak (packings are worn and/or dirty, valve balls are worn). Worn valve seats 	<ol style="list-style-type: none"> Replace the spray tip following the instructions that came with the spray gun. Replace the spray tip with a tip that has a smaller orifice following the instructions that came with the spray gun. Turn the pressure control knob clockwise to increase the pressure setting. Remove the pump filter element and clean. Remove the gun filter and clean. Remove the inlet screen and clean. Clean or replace the PRIME/SPRAY valve. Check the siphon tube/siphon set connection and tighten or re-tape the connection with Teflon tape. Check for external leaks at all connections. Tighten connections, if necessary. Clean the valves and service the fluid section following the "Servicing the Fluid Section" procedure in the Maintenance section of this manual. Reverse or replace the valve seats following the "Servicing the Fluid Section" procedure in the Maintenance section of this manual.
D. Fluid leakage at the upper end of the fluid section.	<ol style="list-style-type: none"> The upper packings are worn. The piston rod is worn. 	<ol style="list-style-type: none"> Repack the pump following the "Servicing the Fluid Section" procedure in the Maintenance section of this manual. Replace the piston rod following the "Servicing the Fluid Section" procedure in the Maintenance section of this manual.
E. Excessive surge at the spray gun.	<ol style="list-style-type: none"> Wrong type of airless spray hose. The spray tip worn or too large. Excessive pressure. 	<ol style="list-style-type: none"> Replace hose with a minimum of 50' of 1/4" grounded textile braid airless paint spray hose. Replace the spray tip following the instructions that came with the spray gun. Rotate the pressure control knob counterclockwise to decrease spray pressure.
F. Poor spray pattern.	<ol style="list-style-type: none"> The spray tip is too large for the material being used. Incorrect pressure setting. Insufficient fluid delivery. The material being sprayed is too viscous. 	<ol style="list-style-type: none"> Replace the spray tip with a new or smaller spray tip following the instructions that came with the spray gun. Rotate the pressure control knob to adjust the pressure for a proper spray pattern. Clean all screens and filters. Add solvent to the material according to the manufacturer's recommendations.
G. The unit lacks power.	<ol style="list-style-type: none"> The pressure adjustment is too low. 	<ol style="list-style-type: none"> Rotate the pressure control knob clockwise to increase the pressure setting.



Consignes de sécurité important · Lire toutes ces consignes avant d'utiliser l'appareil. GARDER CES CONSIGNES.



Indique une situation à risque, laquelle, si elle n'est pas évitée, peut entraîner des blessures graves, voire la mort.



Pour réduire les risques d'incendie ou d'explosion, de choc électrique et de blessure, vous devez lire et comprendre les directives figurant dans ce manuel. Familiarisez-vous avec les commandes et l'utilisation adéquate de l'équipement.

DANGER : INJECTION CUTANÉE

A high pressure paint stream produced by this Le jet de haute pression produit par cet appareil peut transpercer la peau et les tissus sous-jacents, causant des blessures graves pouvant entraîner l'amputation.



NE PAS TRAITER ce type de BLESSURE COMME UNE SIMPLE COUPURE! Une amputation peut en résulter. ON doit consulter un médecin sur-le-champ.

La pression maximale de ce pulvérisateur est d'environ 3 300 PSI / 22,8 MPa.

MESURES PRÉVENTIVES :

- Ne pas pointer le pistolet vers une partie du corps.
- Ne pas pointer le pistolet vers une personne ou un animal; ne pas pulvériser non plus de produit dessus.
- NE JAMAIS mettre une partie du corps devant le jet de produit. NE JAMAIS toucher les fuites du flexible de pulvérisation.
- NE JAMAIS mettre la main, même gantée, devant le pistolet (les gants n'offrent aucune protection contre les blessures par injection).
- TOUJOURS verrouiller la détente, arrêter la pompe et relâcher toute la pression avant d'effectuer la maintenance de l'appareil ou de le laisser sans surveillance, d'en nettoyer le protège-embout ou l'embout, ou de remplacer ce dernier. La pression ne sera pas relâchée par le simple arrêt du moteur; pour ce faire, on doit se servir du bouton PRIME/SPRAY (se reporter à la section Comment libérer la pression, du présent manuel).
- TOUJOURS s'assurer que le protège-embout est en place avant de pulvériser. Il est cependant à noter que, s'il assure une certaine protection, ce dispositif joue surtout un rôle préventif.
- TOUJOURS retirer l'embout avant de vidanger ou de nettoyer l'appareil.
- toujours inspecter le flexible avant de commencer; celui-ci peut présenter des fuites attribuables à l'usure, à une flexion excessive ou à un traitement abusif, lesquelles fuites présentent des risques d'injection cutanée. Ne pas utiliser le flexible pour soulever ou tirer l'équipement.
- NE JAMAIS utiliser de pistolet sans verrou de détente et protège-doigts.
- Tous les accessoires (pistolets, embouts, rallonges, flexibles etc.) doivent pouvoir subir une pression nominale de 3 300 PSI / 22,8 MPa ou plus.
- Ne laissez pas l'appareil sous tension ou sous pression quand vous vous en éloignez. Quand vous n'utilisez pas l'appareil, éteignez-le et libérez la pression conformément aux instructions. Comment libérer la pression, du présent manuel.
- Vérifiez que toutes les connexions sont bien serrées avant d'utiliser l'appareil. Toute pièce qui n'est pas fixée solidement risque d'être projetée violemment ou d'entraîner la fuite d'un jet de liquide à une pression extrêmement élevée, ce qui pourrait causer des blessures graves.
- Verrouillez toujours la détente quand vous ne pulvériser pas. Vérifiez que le verrou de la détente fonctionne correctement.

REMARQUE À L'INTENTION DES MÉDECINS :

Les injections cutanées sont des lésions traumatiques; il importe donc de les traiter sans délai. On NE DOIT PAS retarder ce traitement sous prétexte de vérifier la toxicité du produit en cause, celle-ci n'étant conséquente que dans le cas d'injection directe de certains produits dans le système sanguin. Il pourrait s'avérer nécessaire de consulter un plasticien ou un spécialiste en chirurgie reconstructive de la main.

DANGER : ÉMANATIONS DANGEREUSES

Certains produits (peintures, solvants, insecticides ou autres) peuvent être nocifs s'ils sont inhalés ou entrent en contact avec l'organisme. Les émanations de ces produits peuvent provoquer de graves nausées, évanouissements ou empoisonnements.



MESURES PRÉVENTIVES :

- Se servir d'un masque ou d'un respirateur s'il y a risque d'inhalation (lire toutes les directives concernant ces dispositifs afin de s'assurer qu'ils offrent la protection requise).
- Porter des lunettes de protection.
- Porter les vêtements de protection prescrits par le fabricant du produit utilisé.



DANGER : EXPLOSION OU INCENDIE

Les émanations de certains produits peuvent exploser ou s'enflammer, et risquent d'entraîner des dommages matériels ou de graves blessures.



MESURES PRÉVENTIVES :

- S'assurer que l'aire de travail est dotée de moyens d'évacuation d'air vicié et d'introduction d'air frais pour éviter l'accumulation de vapeurs inflammables. Les vapeurs dégagées par la peinture ou les solvants peuvent provoquer une explosion ou s'enflammer.
- Ne pas pulvériser de produit dans un endroit clos.
- Ne pas travailler près de sources d'ignition (décharges électrostatiques ou étincelles provoquées par le branchement/débranchement d'appareils ou la commutation d'interrupteurs, d'appareils électriques, flammes nues, veilleuses, objets chauds, etc.). La peinture ou le solvant s'écoulant dans l'équipement peut générer de l'électricité statique.
- Ne pas fumer dans l'aire de travail.
- L'aire de travail doit être munie d'un extincteur en bon état de marche.
- Prévoir un espace d'au moins 7.62 mètres entre la pompe et l'objet à pulvériser s'ils sont dans la même pièce bien ventilée (rallonger le flexible au besoin). Les vapeurs inflammables étant souvent plus lourdes que l'air, l'espace au-dessus du plancher doit être particulièrement bien aéré. La pompe contient des pièces qui produisent des arcs et émettent des étincelles pouvant enflammer les vapeurs.
- Les appareils et objets à l'intérieur ou à proximité de l'aire de travail doivent être adéquatement mis à la terre pour éviter les décharges électrostatiques.
- Veillez à ce que la zone soit propre et exempte de contenants de peinture ou de solvant, chiffons ou autres matériaux inflammables.
- Les flexibles dont on se sert doivent être conçus pour subir les pressions élevées et faits de matériaux conducteurs ou mis à la terre adéquatement; le pistolet sera mis à la terre par le biais de ses raccords aux flexibles.
- Pour les appareils électriques — Le cordon d'alimentation doit être branché à un circuit trifilaire.
- L'appareil doit toujours être vidangé à basse pression, embout retiré, dans un contenant métallique distinct. Tenir le pistolet contre la paroi du contenant de manière à mettre ce dernier à la terre et à prévenir les décharges électrostatiques.
- Toujours respecter les mises en garde et les directives du fabricant des produits et solvants utilisés. On doit connaître les produits contenus dans les peintures et solvants qu'on pulvérise. Lire les fiches techniques santé-sécurité (FTSS) et les étiquettes des contenants fournies avec les peintures et solvants. Suivre les consignes de sécurité du fabricant de peinture et de solvant.
- Ne pulvériser pas et ne les nettoyez pas avec des liquides ayant un point d'éclair inférieur à 21 °C (70 °F). Le point d'éclair est la température à laquelle le liquide peut créer suffisamment de vapeurs et s'enflammer.
- Le plastique est générateur de décharges électrostatiques; ne jamais en suspendre pour fermer une aire de travail ou en utiliser en guise de toile de protection lorsqu'on pulvérise un produit inflammable.
- Se servir de la pression la plus basse possible pour vidanger l'appareil.
- Ne pas pulvériser de produit sur la pompe.





Consignes de sécurité important · Lire toutes ces consignes avant d'utiliser l'appareil. GARDER CES CONSIGNES.

DANGER : EXPLOSION CAUSÉE PAR DES PRODUITS INCOMPATIBLES

Ce type d'explosion peut entraîner des dommages matériels ou des blessures graves.



MESURES PRÉVENTIVES :

- Ne pas utiliser de produits contenant du chlore ou du javellisant.
- Ne pas utiliser de solvants à base de halons comme l'eau de javel, les agents antimoississure, le chlorure de méthylène et le trichloroéthane-1-1-1, lesquels ne sont pas compatibles avec l'aluminium.
- Communiquer avec le fournisseur du produit concerné pour en connaître la compatibilité avec l'aluminium.

DANGER : GÉNÉRALITÉS

D'autres dangers peuvent entraîner des dommages matériels ou des blessures graves.

MESURES PRÉVENTIVES :

- Lire toutes les directives et consignes de sécurité avant d'utiliser l'appareil.
- Observer tous les codes locaux, provinciaux, d'état et nationaux régissant la ventilation, la prévention des incendies et le fonctionnement de l'appareil.
- Aux États-Unis, le gouvernement a adopté des normes de sécurité en vertu de l'Occupational Safety and Health Act (OSHA). Le cas échéant, on doit les consulter, notamment les parties 1910 des normes générales et 1926 des normes de construction.
- N'utiliser que les pièces autorisées par le fabricant; les utilisateurs qui choisiront d'utiliser des composants dont les caractéristiques techniques et les exigences en matière de sécurité sont inférieures devront en assumer tous les risques et responsabilités.
- Tous les raccords, les tuyaux et les bouchons de remplissage doivent être fixés solidement en place avant d'utiliser la pompe de pulvérisation. Toute pièce qui n'est pas fixée solidement risque d'être projetée violemment ou d'entraîner la fuite d'un jet de liquide à une pression extrêmement élevée, ce qui pourrait causer des blessures graves.
- Avant chaque utilisation, examiner tous les flexibles afin de confirmer l'absence de coupures, de fuites, d'abrasions ou de renflements. Vérifier également l'intégrité des raccords. Remplacer sans délai les pièces qui semblent présenter des défauts. Ne jamais tenter de réparer un flexible; remplacer ceux qui font défaut par des modèles haute pression, avec mise à la terre.
- Ne faites pas de nœud avec le tuyau et ne le tordez pas trop. Le tuyau à vide peut présenter des fuites suite à l'usure, les nœuds ou les mauvais traitements. Une fuite risque d'injecter du produit dans la peau.
- N'exposez pas le tuyau à des températures ou des pressions supérieures à celles spécifiées par le fabricant.
- Ne pas pulvériser à l'extérieur par grands vents.
- Porter des vêtements aptes à protéger la peau et les cheveux du produit utilisé.
- Ne pas utiliser le pistolet ou ne pas pulvériser de produits en présence d'enfants à proximité. Eloigner les enfants de l'équipement en tout temps.
- Ne pas s'étirer ni ne travailler sur un support instable. Toujours garder les deux pieds au sol pour rester en équilibre.
- Se servir de la pression la plus basse possible pour vidanger l'appareil.
- Rester vigilant et faire attention à ce que l'on fait.
- Ne pas se servir de l'équipement en cas de fatigue ou si vos aptitudes sont affaiblies par la consommation de drogues ou de boissons alcoolisées.
- Pour les appareils électriques — Débranchez toujours le cordon électrique de la prise avant de travailler sur l'équipement.
- N'utilisez pas le tuyau pour tirer ou soulever l'équipement.
- Ne pas soulever par la poignée de chariot en chargeant ou en déchargeant.

Sécurité des moteurs à essence



Les produits chimiques contenus dans les vapeurs d'échappement de cet appareil sont reconnus par l'État de la Californie (États-Unis) comme étant cancérigènes. Ils peuvent également entraîner des anomalies congénitales ou d'autres dangers pour la santé.

- Les moteurs Honda sont conçus pour fonctionner en toute sécurité et avec une fiabilité maximale s'ils sont utilisés conformément aux instructions. Veuillez lire et comprendre le manuel de l'utilisateur de Honda avant de faire fonctionner le moteur. Le non-respect de ces consignes peut entraîner des dommages matériels ou des blessures physiques graves.
- Pour éviter tout risque d'incendie et fournir une ventilation adéquate, placez le moteur à une distance minimale de 1 mètre (3 pieds) des immeubles et d'autres équipements pendant son fonctionnement. Ne placez pas d'objets inflammables à côté du moteur.
- Tenez les enfants et les animaux domestiques à l'écart de la zone de travail; vous éviterez ainsi tout risque de brûlures sur les pièces chaudes du moteur et de blessures entraînées par les accessoires utilisés par le moteur pour son fonctionnement.
- Sachez comment arrêter rapidement le moteur, et assurez-vous que vous avez bien compris le fonctionnement de toutes les commandes. Ne permettez jamais à une personne de faire fonctionner le moteur sans connaître les instructions nécessaires.
- L'essence est extrêmement inflammable et explosive dans certaines conditions.
- Remplissez le réservoir de carburant dans une zone bien ventilée, moteur arrêté. Ne fumez pas et évitez toutes flammes ou étincelles dans la zone de remplissage de carburant ou dans une zone de stockage du carburant.
- Veillez à ne pas faire déborder le réservoir de carburant. Après remplissage, assurez-vous que le bouchon du réservoir est solidement vissé.
- Faites attention à ne pas renverser de carburant lors du remplissage du réservoir. Les vapeurs ou les éclaboussures de carburant peuvent s'enflammer. En cas d'éclaboussures, assurez-vous que la zone est bien sèche avant de faire démarrer le moteur.
- Ne faites jamais fonctionner le moteur dans un endroit fermé ou confiné. Les fumées d'échappement contiennent du monoxyde de carbone qui est un gaz toxique; une exposition prolongée peut entraîner une perte de conscience et peut s'avérer mortelle.
- Le silencieux devient très chaud pendant le fonctionnement et reste chaud quelque temps après l'arrêt du moteur. Faites attention à ne pas toucher le silencieux tant qu'il est chaud. Pour éviter des brûlures graves ou des risques d'incendie, laissez le moteur refroidir avant de le transporter ou de le ranger à l'intérieur.
- Ne transportez jamais le moteur si le réservoir est plein.

Spécifications

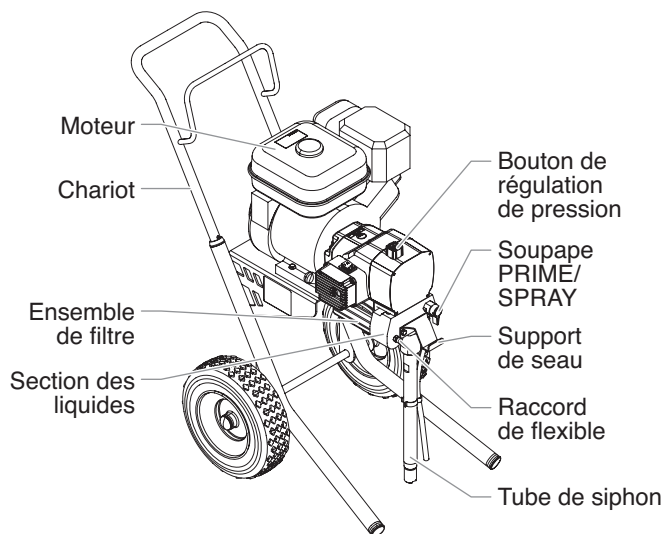
Débit (GPM).....	0.85 (3,2 LPM)
Embout, dimension maximale	un pistolet = 0,030" deux pistolets = 0,021"
Pression maximale	3 300 PSI (22,8 MPa)
Puissance.....	moteur à essence de 4,5 HP
Poids.....	128 lbs. (58.1 kg)
Cordon d'alimentation dimension maximale.....	300' (91,4 m)

Table des matières

Consignes de sécurité	16
Spécifications	17
Description générale	18
Fonctionnement.....	18
Remplissage de carburant	18
Vérifications préliminaires	18
Préparation d'un nouveau vaporisateur	19
Préparation avant de peindre	19
Peinture	20
Procédure de décompression	20
Vaporisation.....	21
Technique de vaporisation	21
Essais préliminaires	22
Nettoyage	22
Maintenance.....	23
Généralités concernant la maintenance.....	23
Entretien du moteur.....	23
Nettoyage ou remplacement des filtres.....	24
Remplacement de la soupape PRIME/SPRAY	24
Remplacement le interrupteur ON/OFF	24
Remplacement des engrenages et/ou du coulisseau	25
Remplacement du transducteur	26
Entretien du bloc d'embrayage.....	26
Maintenance de la section des liquides.....	29
Dépannage	31
Liste de pièces.....	48
Vue d'ensemble.....	48
Boîte d'engrenages	50
Section de liquides	52
Ensemble de chariot.....	54
Ensemble de siphon de 5 gallons (facultatif).....	54
Étiquettes	55
Accessoires	56
Garantie	58

Description générale

Ce vaporisateur à dépression est un outil électrique de précision servant à atomiser divers types de matériaux. On doit lire et suivre attentivement les directives apparaissant dans ce manuel pour savoir comment l'utiliser et le maintenir en bon ordre, et ce, en toute sécurité.



Cet appareil produit un jet à très haute pression; avant de le faire fonctionner, il est donc essentiel de lire et de comprendre les avertissements formulés dans la section Consignes de sécurité à l'avant de ce manuel.

Fonctionnement

Remplissage de carburant (moteur à carburant)



L'essence est extrêmement inflammable et explosive dans certaines conditions.

- Éteignez TOUJOURS le moteur avant de remplir le réservoir.
- Remplissez le réservoir de carburant dans un endroit bien aéré.
- Ne fumez pas et évitez toutes flammes ou étincelles dans la zone de remplissage de carburant ou dans une zone de stockage du carburant.
- Veillez à ne pas faire déborder le réservoir de carburant. Après remplissage, assurez-vous que le bouchon du réservoir est solidement vissé.
- Faites attention à ne pas renverser de carburant lors du remplissage du réservoir. Les vapeurs ou les éclaboussures de carburant peuvent s'enflammer. En cas d'éclaboussures, assurez-vous que la zone est bien sèche avant de faire démarrer le moteur.
- Évitez l'inhalation répétée ou prolongée de brume ou de vapeur et tout contact avec la peau.
- Tenez à l'écart des enfants.

Spécifications de carburant

- Utilisez du carburant automobile avec un indice d'octane à la pompe de 86 ou plus, ou avec un indice d'octane recherche de 91 ou plus. L'utilisation d'un carburant avec un indice d'octane inférieur peut provoquer des « cliquetis » ou des « détonations » fortes (martèlement métallique) qui peuvent à leur tour endommager le moteur.

NOTA : En cas de « détonations » ou de « cliquetis » sur un moteur à vitesse faible et normalement chargé, changez de marque de carburant. Si le cliquetis ou les détonations persistent, consultez le concessionnaire agréé du fabricant du moteur. Le non-respect de cette consigne est considéré comme une utilisation incorrecte et les dommages subis en cas d'utilisation incorrecte ne sont pas couvertes par la garantie limitée du fabricant du moteur.

Vous pouvez à l'occasion observer de faibles détonations lorsque la pompe travaille avec des charges très importantes. Cela est normal, il signifie simplement que votre moteur fonctionne de manière efficace.

- Le carburant sans plomb produit moins de dépôts et accroît la durée de vie des pièces du circuit d'échappement.
- N'utilisez jamais de carburant altéré, contaminé ou de mélange huile/essence. Évitez l'accumulation de poussière, de saleté ou la pénétration d'eau dans le réservoir.

Essences qui contiennent de l'alcool

Si vous décidez d'utiliser une essence qui contient de l'alcool (essence-alcool), assurez-vous que l'indice d'octane est au moins aussi élevé que celui recommandé par le fabricant du moteur. Il existe deux types « d'essence-alcool » : l'un contient de l'éthanol et l'autre du méthanol. N'utilisez pas d'essence-alcool contenant plus de 10 % d'éthanol. N'utilisez jamais d'essence au méthanol (alcool méthylique ou alcool de bois) si elle ne contient pas également des cosolvants et des inhibiteurs de corrosion pour le méthanol. N'utilisez pas d'essence contenant plus de 5 % de méthanol, même en présence de cosolvants et d'inhibiteurs de corrosion.

NOTA : L'endommagement du circuit d'alimentation ou des problèmes liés au rendement du moteur attribuables à l'utilisation de carburants contenant de l'alcool ne sont pas couverts par la garantie. Le fabricant du moteur ne peut être tenu responsable de l'utilisation de carburants au méthanol compte tenu que les essais de convenance sont incomplets en ce moment.

Avant d'acheter de l'essence dans une station-service autre que celle que vous utilisez habituellement, renseignez-vous pour savoir si l'essence contient de l'alcool. Si tel est le cas, vérifiez le type et le pourcentage d'alcool utilisé. Si vous observez un fonctionnement anormal lorsque vous utilisez de l'essence contenant de l'alcool, ou dont vous pensez qu'elle contient de l'alcool, remplacez-la par de l'essence sans alcool.

Vérifications préliminaires

Procédure à suivre avant de démarrer le moteur d'un pulvérisateur à essence.

1. S'assurer que le tube du siphon et le tuyau de retour sont bien attachés et stables.
2. Attacher le câble de mise à la terre fourni à un objet relié à la terre.
3. À l'aide d'une clé plate, attacher au moins 50 pi du tuyau en nylon de 1/4 po du pistolet sans air au raccord de sortie sur le pulvérisateur. Resserrer à fond.
4. Attacher un pistolet pulvérisateur sans air au tuyau de pulvérisation. À l'aide de deux clés plates (une sur le pistolet et l'autre sur le tuyau), resserrer à fond.

NOTA : Ne pas encore fixer l'embout sur le pistolet de vaporisation. Démontez l'embout s'il est déjà fixé.



S'assurer que tous les flexibles et pistolets à dépression soit mis à la terre et conçus pour accepter des pressions de liquide d'au moins 3 300 lb/po² (22,8 MPa).

5. Tourner à fond le bouton de régulation de la pression dans le sens inverse des aiguilles d'une montre jusqu'au minimum de pression.
6. S'assurer que l'interrupteur MARCHE/ARRÊT est réglé sur la position MARCHE.
7. Remplir la coupelle à l'huile de la section de liquide avec environ une cuillerée à soupe d'huile de séparation (no de pièce 313-481).

IMPORTANT : Ne jamais faire fonctionner l'appareil sans liquide pendant plus de 10 secondes, ce qui pourrait user inutilement les tampons graisseurs.

8. Vérifier le niveau de l'huile du moteur. Le niveau d'huile du moteur à essence est déterminé par le fabricant. Se reporter au manuel du fabricant du moteur (fourni).
9. Fermer le levier de fermeture du carburant et verser de l'essence dans le réservoir. Utiliser seulement l'essence de haute qualité, sans plomb.

Préparation d'un nouveau vaporisateur

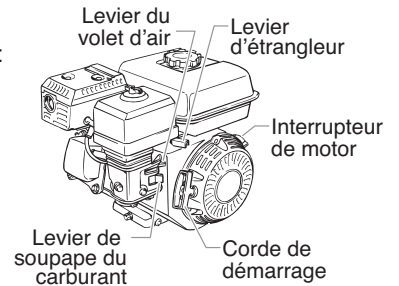
Si cet appareil est neuf, il contient encore un liquide d'essai mis en usine pour le protéger de la corrosion en cours d'expédition ou d'entreposage. Ce liquide doit être complètement éliminé au moyen d'essence minérale avant que l'appareil puisse être utilisé.

IMPORTANT : La détente du pistolet doit toujours être verrouillée lorsqu'on procède à ces vérifications préliminaires.

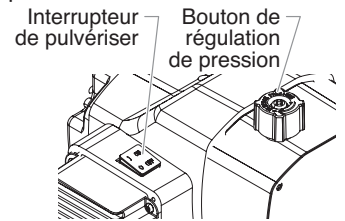
1. Placer le tube-siphon dans un contenant d'essence minérale ayant un point d'inflammabilité de 60 °C (140 °F) ou plus.
2. Placer le tuyau de retour dans un contenant de vidange en métal.
3. Tourner le bouton de régulation de la pression à fond dans le sens inverse des aiguilles d'une montre jusqu'au minimum.
4. Mettre la soupape PRIME/SPRAY à la position PRIME.
5. Mettre l'interrupteur MARCHE/ARRÊT du moteur à la position MARCHE.

6. Pour procéder au démarrage du moteur :

- a. Ouvrir le levier de soupape du carburant.
- b. Éloigner le levier d'étrangleur du réservoir à essence.
- c. Fermer le levier du volet d'air du moteur.
- d. Tout en tenant le châssis avec une main, tirer rapidement et avec force la corde de démarrage. Ne pas lâcher la corde quand elle se replie. Répéter la manœuvre jusqu'à ce que le moteur démarre.



7. Mettre le pulvérisateur en marche en mettant l'interrupteur MARCHE/ARRÊT à la position MARCHE.
8. Tourner lentement le bouton de régulation de la pression dans le sens des aiguilles d'une montre en vue d'augmenter la pression jusqu'à ce que le liquide commence à sortir du tuyau de retour. Utiliser une pression suffisante pour que le liquide continue à sortir.
9. Laisser le pulvérisateur en marche pendant 15 à 30 secondes pour purger le liquide d'essai à travers le tuyau de retour dans le contenant de vidange.
10. Tourner à fond le bouton de régulation de la pression dans le sens inverse des aiguilles d'une montre jusqu'au minimum.
11. Arrêter le pulvérisateur en mettant l'interrupteur MARCHE/ARRÊT du pulvérisateur à la position ARRÊT.



Préparation avant de peindre

Avant de peindre, il est important de s'assurer que le liquide dans l'appareil est compatible avec le produit à utiliser.

NOTA : L'incompatibilité liquide/produit peut provoquer le blocage des soupapes, ce qui entraînerait le besoin de démonter et de nettoyer la section des liquides du vaporisateur.

IMPORTANT : La détente du pistolet doit toujours être verrouillée lorsqu'on procède à ces vérifications préliminaires.

1. Placer le tube-siphon dans un contenant rempli du solvant approprié au matériel à pulvériser (se reporter aux recommandations du fabricant du matériel). Par exemple, l'eau est un solvant approprié pour la peinture au latex.
2. Placer le tuyau de retour dans un contenant de vidange en métal.

3. Tourner le bouton de régulation de la pression à fond dans le sens inverse des aiguilles d'une montre jusqu'au minimum.
4. Mettre la soupape PRIME/SPRAY à la position PRIME.

NOTA : Tenez le tube de retour dans le conteneur de déchets en faisant passer le PRIME / SPRAY soupape de PRIME dans le cas où le pulvérisateur est sous pression.

5. Mettre l'interrupteur MARCHE/ARRÊT du moteur à la position MARCHE.
6. Pour procéder au démarrage du moteur :
 - a. Ouvrir le levier de soupape du carburant.
 - b. Éloigner le levier d'étrangleur du réservoir à essence.
 - c. Fermer le levier du volet d'air du moteur.
 - d. Tout en tenant le châssis avec une main, tirer rapidement et avec force la corde de démarrage. Ne pas lâcher la corde quand elle se replie. Répéter la manœuvre jusqu'à ce que le moteur démarre.
7. Mettre l'interrupteur hors tension (position ARRÊT).
8. Tourner lentement le bouton de régulation de la pression dans le sens des aiguilles d'une montre en vue d'augmenter la pression jusqu'à ce que le liquide commence à jaillir du tuyau de retour. Utiliser une pression suffisante pour que le liquide continue à jaillir.
9. Laisser le pulvérisateur en marche pendant 15 à 30 secondes pour purger le solvant usé à travers le tuyau de retour dans le contenant de vidange.
10. Tourner à fond le bouton de régulation de la pression dans le sens inverse des aiguilles d'une montre jusqu'au minimum.
11. Arrêter le pulvérisateur en mettant l'interrupteur MARCHE/ARRÊT à la position ARRÊT.

NOTA : S'assurer que l'embout ou le protège-embout ne soient pas installés.

12. Placer la soupape PRIME/SPRAY à la position SPRAY.
13. Mettre le pulvérisateur en marche.
14. Tourner lentement le bouton de régulation de la pression dans le sens des aiguilles d'une montre pour augmenter la pression.
15. Déverrouiller le pistolet en plaçant le verrou de la détente dans la position de déverrouillage.



On doit mettre le pistolet à la terre en le tenant contre le bord du contenant de purge métallique pendant qu'il se vide afin d'éviter les risques de décharges électrostatiques, lesquelles peuvent provoquer un incendie.



16. Pointer le pistolet vers le contenant de vidange en métal et serrer la détente pour purger complètement le solvant usé et permettre le passage du solvant frais dans le pistolet.
17. Verrouiller le pistolet en tournant le verrou de la détente dans la position de verrouillage.
18. Déposer le pistolet et augmenter la pression en tournant lentement le bouton de régulation de la pression dans le sens des aiguilles d'une montre jusqu'au maximum.
19. Vérifier l'absence de fuite sur l'ensemble de l'appareil. En cas de fuite, arrêter le pulvérisateur et suivre la procédure de décompression de ce manuel avant de visser tous les raccords ou les tuyaux.
20. Suivre la procédure de décompression de ce manuel avant de passer du solvant à la peinture.



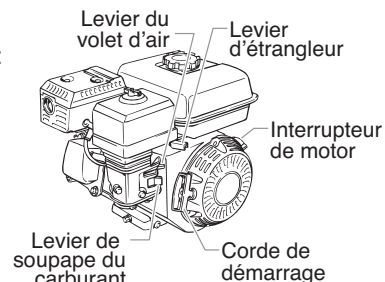
On doit effectuer la procédure de décompression chaque fois qu'on arrête l'appareil pour en faire la maintenance, en changer les réglages de vaporisation, en remplacer/ nettoyer les embouts ou en effectuer la préparation en vue d'un nettoyage.

Peinture

1. Placer le tube-siphon dans un contenant de peinture.
2. Placer le tuyau de retour dans un contenant de vidange en métal.
3. Tourner à fond le bouton de régulation de la pression dans le sens inverse des aiguilles d'une montre jusqu'au minimum.
4. Mettre la soupape PRIME/SPRAY à la position PRIME.
5. Mettre l'interrupteur MARCHE/ARRÊT du moteur à la position MARCHE.

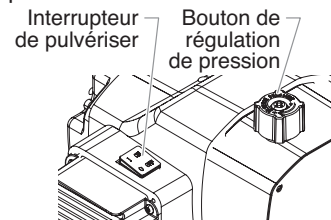
6. Pour procéder au démarrage du moteur :

- a. Ouvrir le levier de soupape du carburant.
- b. Éloigner le levier d'étrangleur du réservoir à essence.
- c. Fermer le levier du volet d'air du moteur.
- d. Tout en tenant le châssis avec une main, tirer rapidement et avec force la corde de démarrage. Ne pas lâcher la corde quand elle se replie. Répéter la manœuvre jusqu'à ce que le moteur démarre.



7. Mettre le pulvérisateur en marche en mettant l'interrupteur MARCHE/ARRÊT à la position MARCHE.

8. Tourner lentement le bouton de régulation de la pression dans le sens des aiguilles d'une montre en vue d'augmenter la pression jusqu'à ce que le liquide commence à jaillir du tuyau de retour. Utiliser une pression suffisante pour que le liquide continue à jaillir.



9. Laisser le pulvérisateur en marche jusqu'à ce que la peinture commence à sortir du tuyau de retour pour se déverser dans le contenant de vidange en métal.
10. Tourner à fond le bouton de régulation de la pression dans le sens inverse des aiguilles d'une montre jusqu'au minimum.
11. Arrête le pulvérisateur en mettant l'interrupteur MARCHE/ARRÊT à la position ARRÊT.
12. Retirer le tuyau de retour du contenant de vidange et le placer dans sa position de fonctionnement, au-dessus du contenant de peinture.
13. Régler la soupape PRIME/SPRAY à SPRAY.
14. Mettre le pulvérisateur en marche.
15. Tourner lentement le bouton de régulation de la pression dans le sens des aiguilles d'une montre pour augmenter la pression.
16. Déverrouiller le pistolet en plaçant le verrou de la détente dans la position de déverrouillage.



On doit mettre le pistolet à la terre en le tenant contre le bord du contenant de purge métallique pendant qu'il se vide afin d'éviter les risques de décharges électrostatiques, lesquelles peuvent provoquer un incendie.



17. Pointer le pistolet dans le contenant de vidange en métal et serrer la détente pour purger tout l'air et le solvant du tuyau de pulvérisation et que la peinture s'échappe librement du pistolet.
18. Verrouiller le pistolet en tournant le verrou de la détente dans la position de verrouillage.

19. Tourner à fond le bouton de régulation de la pression dans le sens inverse des aiguilles d'une montre jusqu'au minimum de pression.
20. Arrêter le pulvérisateur.
21. Visser le protège-embout et l'embout sur le pistolet en suivant les instructions contenues dans les sections du manuel portant sur le protège-embout et l'embout.



RISQUES D'INJECTION. Ne pas vaporiser sans avoir installé le protège-embout. Ne jamais appuyer sur la détente sans avoir mis l'embout en position de vaporisation ou de désobstruction. Toujours enclencher le verrou de détente avant de retirer, de remplacer ou de nettoyer l'embout.

22. Mettre le pulvérisateur en marche.
23. Augmenter la pression en tournant lentement le bouton de régulation de la pression dans le sens des aiguilles d'une montre et pulvériser la peinture sur une surface d'essai afin de vérifier la forme du jet. Il suffit d'ajuster le bouton de régulation de la pression pour obtenir la forme de jet recherchée. Pour une bonne pulvérisation, il suffit de maintenir le bouton de régulation de la pression au minimum.

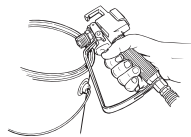
NOTA : Si la pression est trop élevée, l'embout subira une usure prématurée et produira des éclaboussures de surpulvérisation.

Procédure de décompression



On doit effectuer la procédure de décompression chaque fois qu'on arrête l'appareil pour en faire la maintenance, en changer les réglages de vaporisation, en remplacer/ nettoyer les embouts ou en effectuer la préparation en vue d'un nettoyage.

1. Verrouiller le pistolet en mettant le verrou de détente à la position appropriée.
2. Arrêter l'appareil en mettant le commutateur à la position OFF.
3. Placer l'interrupteur MARCHE/ARRÊT à la position MARCHE et démarrer le moteur.
4. Tourner à fond le bouton de régulation de la pression dans le sens inverse des aiguilles d'une montre jusqu'au minimum.
5. Déverrouiller le pistolet en mettant le verrou de détente à la position appropriée.
6. Tenir fermement la partie métallique du pistolet contre le bord d'un contenant métallique afin d'éviter une accumulation d'électricité statique.
7. Appuyer sur la détente du pistolet afin de purger tout l'air restant dans le flexible.
8. Verrouiller le pistolet en mettant le verrou de détente à la position appropriée.
9. Abaisser la soupape PRIME/SPRAY à la position PRIME.

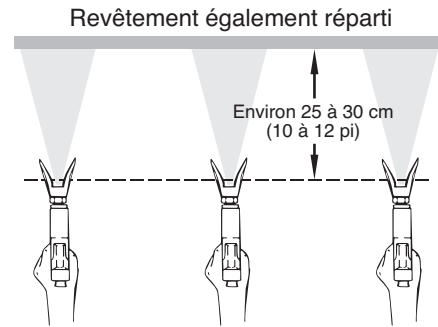


Vaporisation

NOTA : Retirer le filtre du pistolet et les crépines du filtre de pression pour pulvériser les enduits pour béton, les mastics ou des peintures plus épaisses.

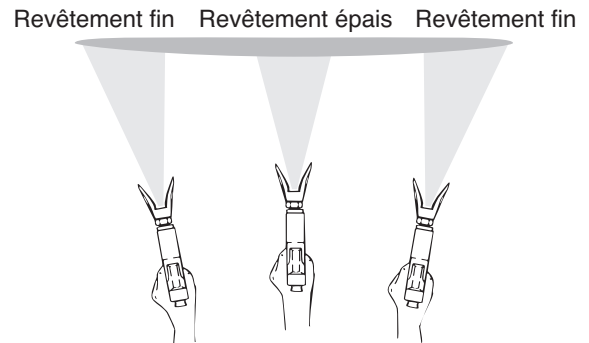
Technique de vaporisation

Pour obtenir une peinture d'un fini impeccable il est essentiel que le produit soit également réparti sur toute la surface. Il faut pour cela que vous appliquiez la peinture de façon régulière en déplaçant votre bras à vitesse constante et en gardant le pistolet de pulvérisation à une distance constante de la surface. La meilleure distance de pulvérisation est de 25 à 30 cm (10 à 12 po) entre le pistolet et la surface traitée.



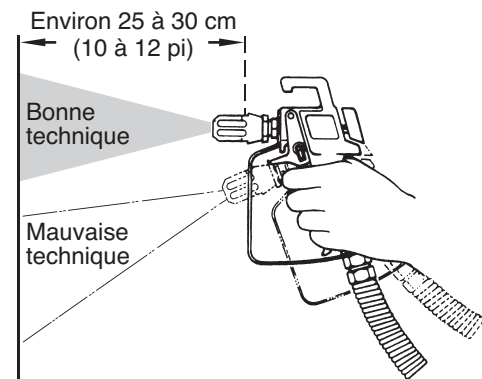
Déplacez votre bras d'un mouvement régulier et à vitesse constante.

Gardez le pistolet perpendiculaire à la surface traitée. Il vous faut pour cela déplacer tout votre bras de haut en bas et non pas seulement fléchir votre poignet.



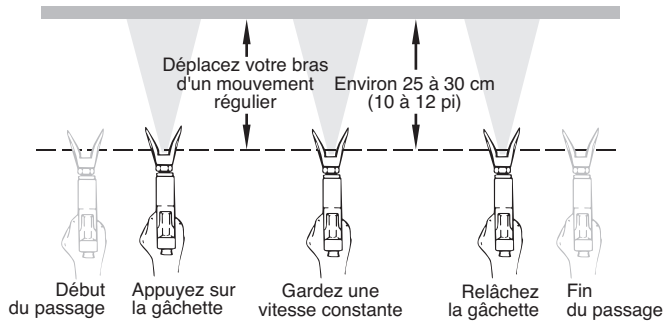
Ne pas fléchir le poignet durant la pulvérisation.

Veillez à garder le pistolet perpendiculaire à la surface traitée afin d'éviter qu'une extrémité de chaque passage soit plus épaisse que l'autre.



Appuyez sur la gâchette au début et à la fin de chaque passage. Vous éviterez ainsi de gaspiller de la peinture ou d'avoir une accumulation de peinture à l'extrémité du passage. Ne jouez pas avec la gâchette durant le passage afin d'éviter un fini irrégulier ou des éclaboussures.

Comment bien utiliser la gâchette du pistolet

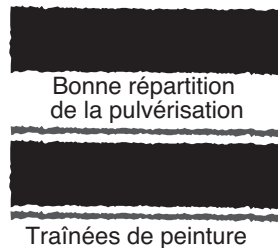


Chevauchez chaque passage d'environ 30% afin d'obtenir un fini régulier.

Lorsqu'on arrête la peinture, il faut bloquer le cran de sûreté, tourner le bouton de réglage de la pression dans le sens inverse des aiguilles d'une montre jusqu'à ce qu'il atteigne sa valeur minimum, puis régler le bouton d'amorçage à la position PRIME. Tourner le commutateur du moteur à ARRÊT et débrancher le pulvérisateur.

Essais préliminaires

1. S'assurer que le flexible à produit de peinture soit exempt de coudes et éloigné de toute arête coupante.
2. Tourner à fond le bouton de régulation de la pression dans le sens inverse des aiguilles d'une montre jusqu'au minimum.
3. Soulever la soupape prime/spray à la position SPRAY.
4. Tourner le bouton de régulation de pression à son réglage le plus élevé; le flexible à produit devrait se raidir sous l'effet de la pression.
5. Déverrouiller la détente du pistolet.
6. Appuyer sur la détente pour évacuer l'air du flexible.
7. Quand la peinture atteint l'embout, effectuer un essai de vaporisation en vue de régler le jet en fonction du travail à effectuer.
8. Régler la pression au niveau le plus bas qui permette d'obtenir le jet désiré. Si la pression est trop élevée, le jet sera trop dispersé; si elle est trop basse, le jet produira des traînées ou crachera des grumeaux de produit.



Nettoyage



Directives particulières pour le nettoyage au moyen de solvants inflammables :

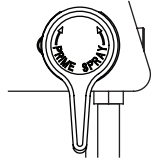
- Purger le pistolet à l'extérieur de préférence, à une distance d'au moins une longueur de flexible de la pompe.
- Si le solvant usé est recueilli dans un contenant métallique de 4 litres (1 gallon), celui-ci doit être inséré dans un second contenant d'au moins 20 litres (5 gallons).
- L'endroit choisi doit être exempt de vapeurs inflammables.
- On doit suivre les directives de nettoyage à la lettre.

IMPORTANT : Le vaporisateur, le flexible et le pistolet doivent être nettoyés en profondeur après chaque journée d'utilisation et ce, afin d'éviter les accumulations de produit susceptibles de nuire grandement au rendement de l'appareil.



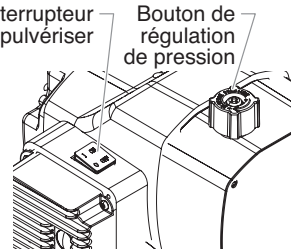
Lorsqu'on se sert d'essence minérale ou d'autres solvants pour nettoyer le vaporisateur, le flexible ou le pistolet, on doit régler la pression au minimum et retirer l'embout de la buse du pistolet. L'accumulation d'électricité statique risque de provoquer des incendies en présence de vapeurs inflammables.

1. Suivre la Procédure de décompression à la section Fonctionnement du présent manuel.
2. Retirer l'embout et le protège-embout, et les nettoyer au moyen d'une brosse et du solvant approprié.
3. Placer le tube-siphon dans un contenant rempli du solvant approprié (se reporter aux recommandations du fabricant du matériel). Par exemple, l'eau est un solvant approprié pour la peinture au latex.
4. Mettre le flexible de retour dans un contenant de purge métallique.
5. Abaisser la soupape PRIME/SPRAY à la position PRIME.

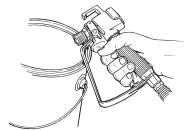


NOTA : Tenez le tube de retour dans le conteneur de déchets en faisant passer le PRIME / SPRAY soupape de PRIME dans le cas où le pulvérisateur est sous pression.

6. Placer l'interrupteur MARCHE/ARRÊT à la position MARCHE et démarrer le moteur.
7. Mettre l'appareil en marche en mettant le commutateur de pulvériser à la position ON.
8. Tourner lentement le bouton de régulation de la pression dans le sens des aiguilles d'une montre pour augmenter la pression jusqu'à ce que le liquide commence à s'échapper du tuyau de retour.
9. Laisser le solvant circuler dans l'appareil pour évacuer le produit de peinture par le flexible de retour, jusqu'à un contenant de purge.
10. Tourner à fond le bouton de régulation de la pression dans le sens inverse des aiguilles d'une montre jusqu'au minimum.
11. Arrêter l'appareil en mettant le commutateur à la position OFF.
12. Soulever la soupape PRIME/SPRAY à la position SPRAY.
13. Mettre l'appareil en marche.
14. Tourner lentement le bouton de régulation de la pression dans le sens des aiguilles d'une montre pour augmenter la pression.



On doit mettre le pistolet à la terre en le tenant contre le bord du contenant de purge métallique pendant qu'il se vide afin d'éviter les risques de décharges électrostatiques, lesquelles peuvent provoquer un incendie.



15. Appuyer sur la détente en visant le contenant métallique pour purger le produit du flexible, jusqu'à ce que le solvant s'écoule du pistolet.
16. Continuer d'appuyer sur la détente, en direction du contenant métallique, jusqu'à ce que le solvant évacué soit propre.

NOTA : Pour l'entreposage à long terme en milieu froid, remplir tous les composants de l'appareil d'essence minérale.

17. Suivre la Procédure de décompression à la section Fonctionnement du présent manuel.
18. Débrancher l'appareil et le ranger dans un endroit propre et sec.

IMPORTANT : Ne pas ranger l'appareil sous pression.

Nettoyage de l'embout

1. Purger le pistolet avec le solvant immédiatement après avoir terminé le travail.
2. Appliquer de l'huile sur les tiges coulissantes pour les empêcher de se bloquer.

Si l'embout de pulvérisation est obstrué, il faut le renverser avec le levier et serrer la détente du pistolet. Une fois l'obstruction expulsée de l'embout, lâcher la détente, remettre l'embout en place en le réglant sur la forme de jet et reprendre la pulvérisation.



Ne pas tenter de débloquer ou de nettoyer l'embout avec le doigt.

Ne pas utiliser une aiguille ou un objet pointu pour nettoyer l'embout. Le carbure de tungstène pourrait s'écailler.

Maintenance



Avant de procéder, on doit suivre les directives de la section Procédure de décompression du présent manuel. On doit également respecter tous les autres avertissements si on veut éviter les blessures par injection, par contact avec une pièce mobile ou par choc électrique.

NOTA : Tous les travaux concernant les moteurs Robin-Subaru doivent être effectués par un centre de service autorisé de Robin-Subaru.

Généralités concernant la maintenance

Pour réparer ou entretenir le vaporisateur, on pourrait avoir à recourir aux outils suivants :

Tournevis étoile	Clé hexagonale de 1,0 cm (3/8 po)
Pince à bec pointu	Clé hexagonale de 0,8 cm (5/16 po)
Clé à ouverture variable	Clé hexagonale de 0,6 cm (1/4 po)
Maillet en caoutchouc	Clé hexagonale de 0,5 cm (3/16 po)
Tournevis plat	Clé hexagonale de 0,3 cm (1/8 po)
Clé ouverte de 1/2 po	Clé ouverte de 7/8 po

1. Avant de procéder à la maintenance de n'importe quel composant du vaporisateur, il faut lire attentivement les directives ainsi que tous les avertissements qu'elles contiennent.

IMPORTANT : Ne jamais tirer sur le cordon pour le débrancher, ce qui pourrait détacher le connecteur des fils.

2. Vérifier les résultats de la maintenance effectuée avant d'utiliser le vaporisateur en conditions normales afin de s'assurer que le problème ait bel et bien été corrigé. Si le vaporisateur ne fonctionne toujours pas comme il faut, repasser la procédure pour s'assurer qu'elle ait été bien suivie. Se reporter ensuite à la section Dépannage pour cerner la source potentielle du problème.
3. S'assurer que l'endroit choisi soit bien ventilé si des solvants sont utilisés pour le nettoyage. Toujours porter des lunettes de protection lorsqu'on procède à la maintenance. D'autres dispositifs protecteurs pourraient être requis selon le type de solvant utilisé; on doit toujours communiquer avec le fabricant de ce dernier pour obtenir ses recommandations à cet effet.
4. Pour toute autre question relative à ce vaporisateur à dépression, il suffit de communiquer avec Titan :
Service à la clientèle (É.-U.)..... **1-800-526-5362**
Télécopieur **1-800-528-4826**

Entretien du moteur



Pendant le transport d'un pulvérisateur à moteur à essence, s'assurer que la soupape de carburant est bien fermée.

NOTA : Pour des renseignements détaillés sur les caractéristiques techniques et l'entretien, se reporter au manuel fourni avec le pulvérisateur.

Faits importants concernant le pulvérisateur

Ce pulvérisateur à essence est doté d'un embrayage qui entre en mouvement lorsque le pulvérisateur est en marche. Le système de régulation de la pression du pulvérisateur met l'embrayage en mouvement pour assurer la régulation de la pression. Pour éviter l'usure inutile de l'embrayage, on conseille d'ajuster la vitesse du moteur et la pression en vue de limiter la fréquence de mouvements de l'embrayage. Pour réduire l'usure de l'embrayage, se reporter aux exemples ci-dessous.

Exemple :

Pour faire fonctionner un pistolet muni d'un embout de 0,019 po – réduire la vitesse du moteur en ajustant le dispositif d'étranglement à un niveau plus bas ou moyen et augmenter la pression jusqu'à ce que les accumulations dans les bouts des formes de jets disparaissent.

Exemple :

Pour faire fonctionner un pistolet muni d'un embout de 0,029 po – augmenter la vitesse au maximum et augmenter la pression jusqu'à ce que les accumulations dans les bouts des formes de jet disparaissent.

Exemple :

Pour pulvériser des produits très fluides à une basse pression – pour réduire la surpression du pistolet et l'usure de l'embrayage, réduire la vitesse du moteur au ralenti et diminuer la pression jusqu'à l'obtention de la forme de jet recherchée.

Entretien périodique du moteur

Journalier

- Vérifier et remplir le réservoir à essence.
- Après 20 heures de fonctionnement, vidanger l'huile et mettre de l'huile fraîche. Vérifier le niveau d'huile du moteur et en ajouter au besoin.

Hebdomadaire

- Retirer le couvercle du filtre à air et nettoyer la pièce. Procéder au remplacement de la pièce au besoin. Si le travail se déroule dans un environnement inhabituellement poussiéreux, vérifier le filtre chaque jour et le remplacer au besoin. (Les pièces de remplacement sont offerts chez le distributeur local de Titan.)
- Après 50 heures d'utilisation : remplacer l'huile de moteur.

Bougie d'allumage

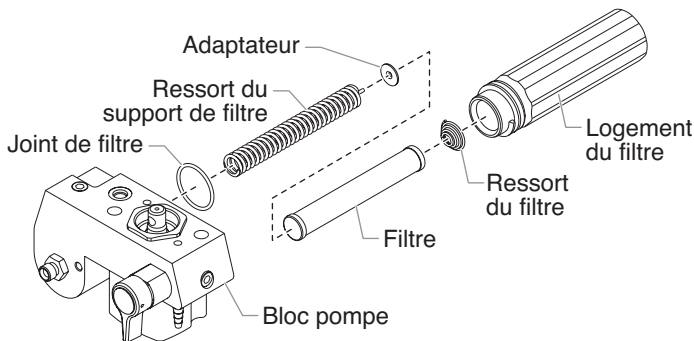
- Utiliser uniquement des bougies de type (NKG) BR6HS ou Champion RL86C.
- Ajuster l'écartement des électrodes de la bougie de 0,020 po à 0,030 po.
- Il faut utiliser une clé à bougie pour installer ou changer une bougie.

Nettoyage ou remplacement des filtres

Filtre de pompe

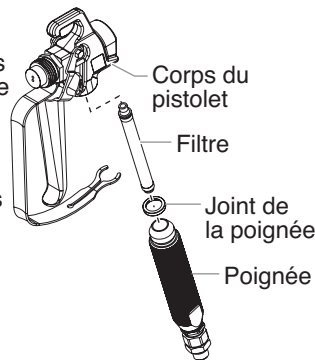
1. Dégager et retirer le logement du filtre.
2. Retirer le filter du ressort du support de filtre.
3. Inspecter le filtre; le nettoyer ou le remplacer au besoin.
4. Inspecter le joint; le nettoyer ou le remplacer au besoin.
5. Faites glisser le nouveau filtre ou nettoyer le filtre au cours du support avec le soutien de l'adaptateur en place.oussez le filtre dans le centre de la bloc pompe.
6. Glisser le logement sur le filtre et le visser solidement sur le bloc pompe.

NOTA: Le filtre de logement devraient être serrés la main, mais assurez-vous que le logement du filtre est assise pleinement dans le bloc pompe.



Filtre de pistolet

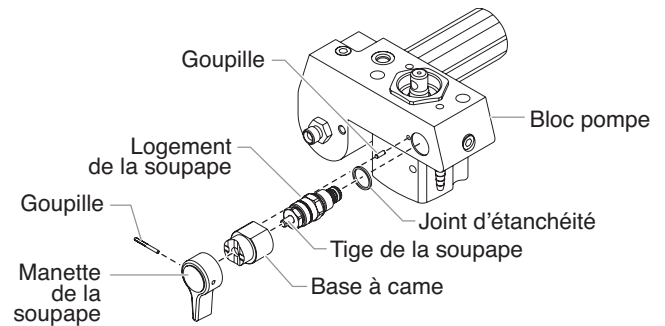
1. Tirer le bas du protège-doigts vers l'avant jusqu'à ce qu'il se détache de la poignée.
2. Desserrer la poignée et la retirer du corps du pistolet.
3. Retirer le vieux filtre du corps du pistolet.
4. Remettre le nouveau filtre, l'extrémité amincie en premier, dans le corps du pistolet.
5. S'assurer que le joint d'étanchéité de la poignée est en place et visser la poignée dans le corps du pistolet jusqu'à ce qu'il soit bien serré.
6. Réenclencher le protège-doigts sur la poignée.



Remplacement de la soupape PRIME/SPRAY

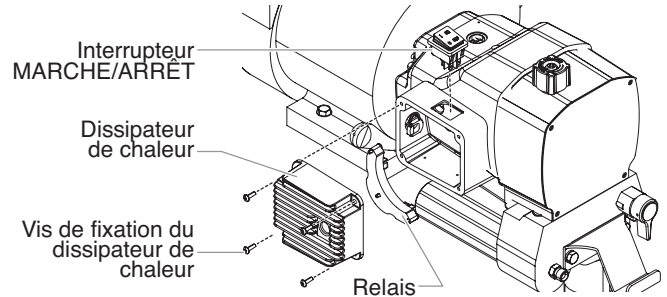
Pour effectuer cette procédure, on doit se procurer une trousse de remplacement de soupape PRIME/SPRAY (P/N 0507690).

1. Pousser la goupille hors de la manette de la soupape
2. Retirer la manette et la base à came.
3. Au moyen d'une clé, desserrer et retirer le logement de la soupape.
4. S'assurer que le joint d'étanchéité soit à sa place, et visser le nouveau logement dans le bloc pompe; serrer fermement à l'aide d'une clé.
5. Mettre la base à came par dessus le logement de la soupape; la lubrifier au moyen de graisse et aligner la came avec le bloc pompe.
6. Aligner le trou dans la tige de soupape avec celui de la manette.
7. Insérer la goupille à travers ces deux trous afin de fixer la manette en place.



Remplacement de l'interrupteur MARCHÉ/ARRÊT (ON/OFF) du pulvérisateur

1. Suivre la procédure de décompression.
2. À l'aide d'un tournevis à pointe cruciforme, retirer les quatre vis qui retiennent le dissipateur de chaleur et ses composants dans le carter. Retirer soigneusement le dissipateur de chaleur du carter. Déplacement doucement les composants en les éloignant du pulvérisateur et laisser les composants pendre.
3. Repérer la partie inférieure de l'interrupteur MARCHÉ/ARRÊT du pulvérisateur à l'intérieur du carter.



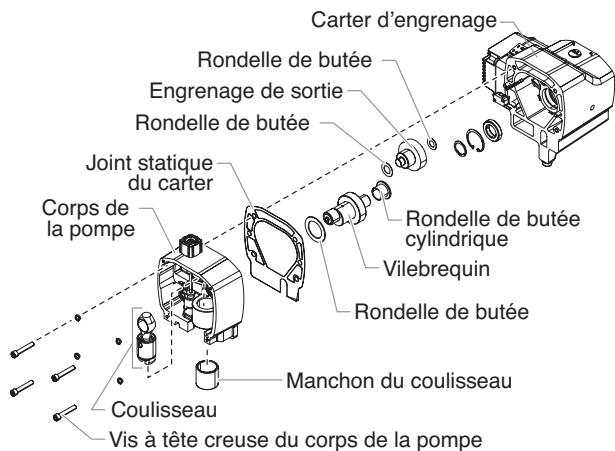
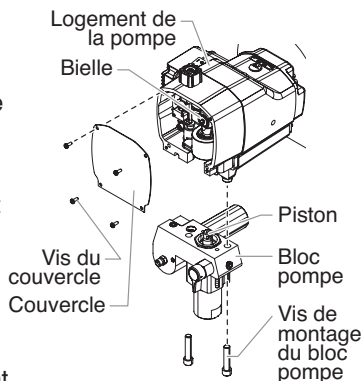
4. Déconnecter les fils de l'interrupteur du pulvérisateur. Ne pas oublier l'emplacement de chacun des deux fils (les marquer avec des étiquettes, au besoin).
5. Abaisser les languettes de montage à chaque coin de l'interrupteur du pulvérisateur à l'intérieur du carter, et retirer l'interrupteur par la partie supérieure du carter.
6. Enclencher le nouvel interrupteur du pulvérisateur dans l'orifice prévu dans le carter.
7. Connecter les deux fils de l'interrupteur au nouvel interrupteur du pulvérisateur. S'assurer que les fils sont reconnectés aux points où ils se trouvaient avant d'être débranchés (consulter les étiquettes utilisées à l'étape précédente de cette procédure ou le schéma électrique dans la section « Liste de pièces » de ce manuel).
8. Placer soigneusement le dissipateur de chaleur sur le carter en prenant soin de ne pincer aucun fils.
9. Installer les quatre vis qui retiennent le dissipateur de chaleur au carter. Visser fermement.

Remplacement des engrenages et/ou du coulisseau

1. À l'aide d'un tournevis à pointe cruciforme, dévisser les quatre vis du couvercle avant. Retirer le couvercle.
2. Démarrer le moteur (consulter les procédures dans la section « Fonctionnement » de ce manuel). Tourner le bouton de régulation de la pression dans le sens des aiguilles d'une montre au maximum.
3. Actionner rapidement l'interrupteur du pulvérisateur entre les positions MARCHÉ et ARRÊT jusqu'à ce que le coulisseau et le piston s'arrêtent au bas de leur course (aux positions les plus basses).
4. Arrêter le moteur et effectuer la procédure de décompression.

NOTA : Pour remplacer le coulisseau, le tronçon d'acheminement doit être retiré du corps de la pompe.

5. À l'aide d'une clé hexagonale de 3/8 po, retirer les deux vis à tête creuse qui permettent de fixer le tronçon au corps de la pompe.
6. Abaisser le logement du tronçon d'acheminement d'environ 1/2 po du carter d'engrenage pour libérer le transducteur.
7. Faire glisser le logement du tronçon d'acheminement et la tige de piston vers l'avant jusqu'à ce que la tige de piston sorte de la rainure de fixation sur le coulisseau.
8. À l'aide d'une clé hexagonale de 1/4 po, retirer les quatre vis à tête creuse qui permettent de fixer le corps de la pompe au carter d'engrenage.



9. Glisser le corps de la pompe pour l'éloigner du carter d'engrenage.
10. Retirer et nettoyer le joint statique. Le remplacer s'il est endommagé.
11. Glisser le vilebrequin, avec les deux rondelles de butée hors du corps de la pompe du côté du carter d'engrenage.
12. Retirer l'engrenage de sortie avec les deux rondelles de butée.
13. Nettoyer le vilebrequin en profondeur, l'engrenage de sortie ainsi que toutes les rondelles de butée.
14. Inspecter toutes les pièces pour en vérifier l'usure excessive et remplacer celles qui sont endommagées ou usées. Si le vilebrequin ou l'engrenage de sortie est remplacé, remplacer également les rondelles de butée correspondantes.
15. Inspecter le pignon d'engrenage situé à l'extrémité de l'arbre d'entraînement pour en vérifier l'usure et le

remplacer s'il est endommagé ou usé (se reporter à la procédure « Entretien du bloc d'embrayage » de cette section).

NOTA : Dans le cas où l'un des engrenages est usé et que cela exige un remplacement, vérifier si la graisse dans le carter d'engrenage contient des particules ou des limailles de métal. Enlever la graisse contaminée et la remplacer avec la graisse fraîche Lubriplate GR-132.

16. Glisser le coulisseau vers le haut et le sortir du manchon de coulisseau situé en avant du corps de la pompe.
17. Inspecter les pièces pour en vérifier l'usure.
 - a. Si le manchon de coulisseau est rayé ou excentré, le corps de la pompe doit être remplacé.
 - b. Si le coulisseau est rayé ou le point de contact entre la bielle et le coulisseau effectue des mouvements non rotatoires, il faut remplacer le coulisseau. Si le coulisseau doit être également remplacé si le coussinet de la bielle présente des signes d'usure.
 - c. Toutes les pièces qui seront utilisées plus d'une fois doivent être nettoyées en profondeur, y compris la bielle. Nettoyer également la goupille du vilebrequin autour de laquelle tourne le coussinet de la bielle.
18. Appliquer une couche fraîche de graisse Lubriplate GR-132 sur l'engrenage de sortie et sur chaque côté de ses rondelles de butée. Placer les rondelles de butée sur leur arbre de l'engrenage de sortie.
19. Lubrifier l'engrenage de sortie avec de la graisse Lubriplate GR-132 fraîche. Insérer l'engrenage dans son orifice prévu dans le carter d'engrenage, la partie dentée en premier. Les dents de l'engrenage vont s'accoupler avec celles du pignon de l'arbre d'entraînement.
20. Appliquer une couche abondante de graisse Lubriplate GR-132 fraîche sur toutes les surfaces de la rondelle de butée cylindrique du vilebrequin.
21. Glisser l'extrémité plate de la rondelle de butée cylindrique derrière l'engrenage sur l'engrenage de sortie, en alignant son orifice avec l'orifice de la bielle du carter d'engrenage prévu pour le vilebrequin.
22. Lubrifier en appliquant de la graisse Lubriplate GR-13 fraîche. Glisser l'arbre de côté de l'engrenage du vilebrequin à travers la rondelle de butée cylindrique jusqu'à son orifice situé dans le carter d'engrenage.
23. Placer la goupille à l'extrémité du vilebrequin près de la base du carter d'engrenage (à la position de point mort du bas).
24. Lubrifier les deux surfaces de la grande rondelle de butée du vilebrequin avec de la graisse Lubriplate GR-132 fraîche. Placer la rondelle de butée sur le vilebrequin contre l'engrenage.
25. Placer le joint statique du carter sur le carter d'engrenage des goupilles de positionnement.
26. Lubrifier la surface extérieure du coulisseau et la surface interne du manchon de coulisseau avec de l'huile. Remplir la cuvette du coulisseau avec la graisse Lubriplate 1242 (la cuvette du coulisseau est la partie de l'ensemble à coulisseau où la bielle et le coulisseau se joignent et pivotent).
27. Insérer le coulisseau dans le manchon du coulisseau.
28. Placer soigneusement le corps de la pompe devant le carter d'engrenage, en alignant chaque goupille de positionnement du carter d'engrenage avec son orifice correspondant situé dans le corps de la pompe. Glisser le corps de la pompe dans le carter d'engrenage jusqu'à ce qu'il n'y ait plus d'espace entre le corps de la pompe, le carter d'engrenage et le joint statique.

NOTA : Pendant que le corps de la pompe glisse en place, la goupille du vilebrequin commencera à sortir du palier au centre du corps de la pompe. Placer le coulisseau pour faire en sorte qu'au moment où la goupille du vilebrequin sort du palier principal, elle entraîne le coussinet de la bielle.

IMPORTANT : Ne pas serrer le corps de la pompe contre le carter d'engrenage.

- Repérer les quatre vis à tête creuse et visser les rondelles de blocage qui fixent le corps de la pompe au carter d'engrenage.
- À l'aide d'une clé hexagonale de 1/4 po, ajuster et serrer les vis à tête creuse en alternance en suivant un motif en croix. Appliquer un couple de 200 à 230 po-lb.
- Glisser la partie supérieure de la tige de piston dans l'ouverture rectangulaire du coulisseau.
- Placer le bloc de pompe en dessous du carter d'engrenage et pousser jusqu'à ce qu'il repose sur le carter d'engrenage.
- Insérer les deux vis à tête creuse qui fixent le tronçon d'acheminement de la peinture au corps de la pompe, tout en ajustant et en appliquant un couple de 400 à 440 po-lb.
- Placer le couvercle sur le corps de la pompe. Fixer le couvercle avant avec de quatre vis du couvercle avant.

Remplacement du transducteur

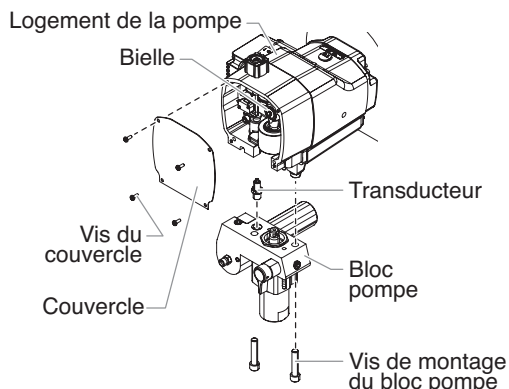
- Desserrer et retirer les quatre vis du couvercle avant et retirer ce dernier.
- Arrêter le vaporisateur en le bas de course afin que le piston soit à sa position la plus basse.
- Suivre la Procédure de décompression.



Avant de procéder, on doit suivre les directives de la section Procédure de décompression du présent manuel. On doit également respecter tous les autres avertissements si on veut éviter les blessures par injection, par contact avec une pièce mobile ou par choc électrique. Le vaporisateur doit toujours être débranché avant d'être entretenu ou réparé.

- Incliner la pompe vers l'arrière pour accéder plus facilement à la section des liquides.
- Au moyen d'une clé hexagonale de 1,0 cm, desserrer et retirer les deux vis de montage du bloc pompe.
- Tirer sur le bloc pompe afin de le faire ressortir d'environ 1,5 cm (1/2 po) de son logement, de manière à dégager le transducteur.
- Glisser le bloc pompe et la tige du piston vers l'avant jusqu'à ce que cette dernière sorte de la rainure en T de la bielle.
- Retirez le transducteur de la bloc pompe avec une clé.
- Installer le nouveau transducteur dans le logement de la pompe. Serrez avec une clé.
- Remonter la pompe en reprenant les étapes 1 à 8 à l'envers.

IMPORTANT : S'assurer que le transducteur est aligné correctement par rapport à l'orifice du tronçon d'acheminement du produit pendant le réassemblage. Un mauvais alignement peut endommager le joint statique du transducteur.

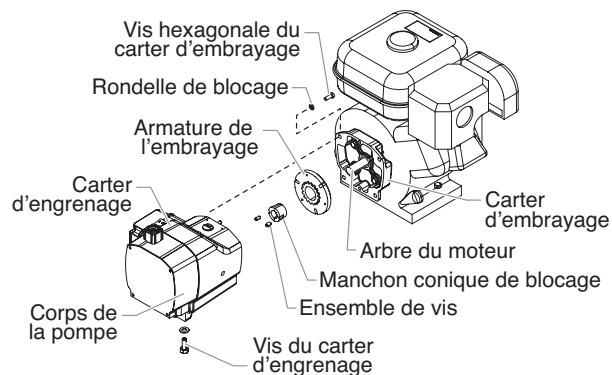


Entretien du bloc d'embrayage

NOTA : Lorsqu'on remplace l'armature de l'embrayage, son rotor doit être également remplacé. Cela permet une usure équilibrée et une durée de vie maximale des pièces de l'embrayage.

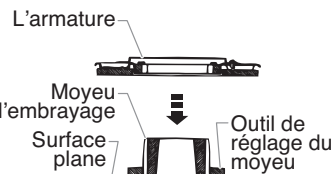
Retirer et remplacer l'armature du bloc d'embrayage

- Suivre la procédure de décompression.
- Trouver le fil qui sort derrière boîtier du bouton de régulation de la pression et qui le relie le faisceau de câbles du moteur. Déconnecter ce fil de son connecteur sur le faisceau de câbles du moteur.
- À l'aide d'une douille à 12 points de 5/16 po, dévisser les quatre vis et fixer les rondelles qui retiennent le carter d'embrayage au carter de l'engrenage.
- À l'aide d'une douille de 9/16 po, dévisser la vis qui retient le carter d'engrenage au chariot.
- Glisser le corps de la pompe et celui de l'engrenage en l'éloignant du moteur pour les séparer du carter d'embrayage.

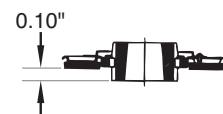


- Repérer l'armature de l'embrayage à l'extrémité de l'arbre du moteur. Remarquer les deux ensembles de vis et l'orifice fileté, inoccupé du manchon conique fendu au centre du moyeu d'embrayage.
- À l'aide d'une clé hexagonale de 1/8 po, dévisser les deux ensembles de vis du manchon conique fendu.
- Visser l'une des vis dans l'orifice fileté, inoccupé au manchon conique fendu. Au fur et à mesure que la vis se resserre, le manchon se desserrera. Dès que le manchon se desserre suffisamment, retirer l'armature de l'embrayage de l'arbre du moteur.

- À l'aide de l'outil de réglage du moyeu Titan (no de pièce 0555926), créer une « réduction » de 0,10 po entre la surface de friction de l'armature et la partie frontale du moyeu d'embrayage.

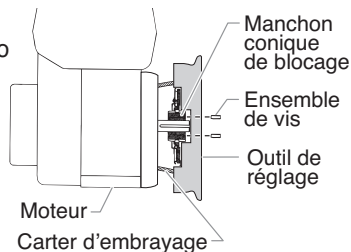


NOTA : Un nouveau moyeu d'embrayage et de l'armature sera pré-assemblé, mais le « réduction » mai ne pas être correct. Le « réduction » doit encore être créé en utilisant de l'outil de réglage du moyeu.



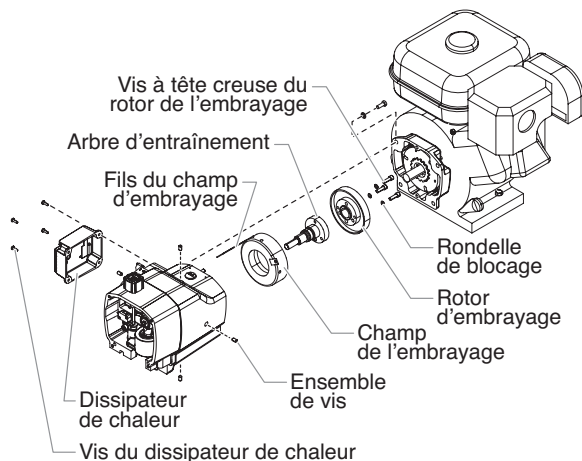
- Pour remplacer l'armature de l'embrayage, aligner les trois orifices au niveau du manchon conique fendu dans l'armature de l'embrayage et insérer le manchon au centre de l'armature de l'embrayage.
- Aligner la clé sur le manchon conique fendu avec la rainure de clavette de l'arbre du moteur et glisser l'armature sur l'arbre avec les orifices tournés vers l'extérieur.
- Appliquer du Loctite bleu sur les deux ensembles de vis et insérer les vis dans le manchon conique fendu. Serrer l'ensemble des vis en faisant seulement deux tours complets pour chaque vis.

13. En utilisant l'outil de réglage de l'embrayage (no de pièce 0555926), placer l'armature de l'embrayage sur l'arbre du moteur. Maintenir l'outil devant le carter d'embrayage, de façon à ce que le centre, la partie encastrée de l'outil, enjambe l'armature de l'embrayage. Tirer l'armature de l'embrayage vers l'outil jusqu'à ce que la face de l'armature se retrouve contre l'outil.
14. Tout en maintenant la prise sur l'armature de l'embrayage contre l'outil, utiliser la clé hexagonale de 1/8 po et resserrer les vis dans le manchon conique fendu. Régler le couple entre 65 et 75 po-lb.
15. S'assurer que la surface de friction de l'armature d'embrayage est propre et exempte d'huile ou de graisse.



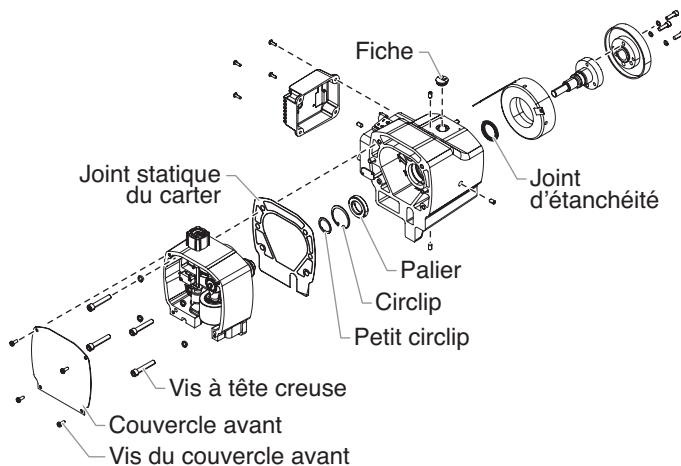
Démontage du rotor de l'embrayage, du champ de l'embrayage et de l'arbre d'entraînement

1. Suivre les étapes 1 à 7 « Démontage/remplacement de l'armature de l'embrayage ».
2. Repérer le rotor de l'embrayage situé dans la partie arrière à l'intérieur du carter d'engrenage. Prendre note des emplacements de trois vis à tête creuse et des deux orifices filetés, inoccupés situés sur le rotor de l'embrayage.
3. À l'aide de la clé hexagonale de 3/16 po, retirer les trois vis à tête creuse et les rondelles de blocage qui fixent le rotor de l'embrayage à l'arbre d'entraînement.
4. Introduire les vis à tête creuse dans les orifices filetés inoccupés et serrer en alternant. Cela va pousser le rotor de l'embrayage à l'écartant de l'arbre d'entraînement et le pignon.
5. À l'aide d'un tournevis à pointe cruciforme, retirer les quatre vis qui fixent le dissipateur de chaleur au carter. Démontez soigneusement le dissipateur de chaleur du carter.
6. Repérer les deux fils du champ d'embrayage qui s'étendent du carter d'engrenage au logement de commande. Prendre soin de remarquer les points de connexion terminaux des fils sur le relais (mettre des étiquettes, au besoin), et débrancher les fils. Éloigner doucement le dissipateur de chaleur du carter et le déposer sur la surface de travail à côté du logement de commande.
7. Repérer les quatre paires de vis qui fixent le champ d'embrayage au carter d'embrayage. Ces vis sont localisées sur la partie externe du carter d'engrenage aux points correspondants à 12, 3, 6 et 9 sur le cadran d'une montre, en face de l'extrémité du champ d'embrayage du carter d'engrenage. À l'aide d'une clé hexagonale de 1/8 po, dévisser les vis. Prendre soin de remarquer l'emplacement des deux fils du champ d'embrayage par rapport à la rondelle isolante et la prise pour alimentation électrique externe.
8. Glisser soigneusement le champ d'embrayage pour le sortir du carter d'engrenage, en maintenant le champ du carré au carter d'engrenage pour qu'il ne se plie pas.



NOTA : Avant de démonter l'arbre d'entraînement, il faut d'abord démonter le corps de la pompe du carter d'engrenage.

9. À l'aide d'un tournevis à pointe cruciforme, dévisser les vis du couvercle avant. Démontez le couvercle avant.
10. À l'aide d'une clé hexagonale de 1/4 po, dévisser les quatre vis à tête creuse qui fixent le corps de la pompe au carter d'engrenage.
11. Glisser le corps de la pompe en l'éloignant du carter d'engrenage.
12. Démontez et nettoyez le joint statique du carter. Le remplacer s'il est endommagé.
13. Repérer le pignon de l'arbre d'entraînement qui sort de l'avant du carter d'engrenage. Retirer le petit circlip qui se trouve sur le moyeu de l'arbre d'entraînement devant le roulement à billes sur lequel repose l'arbre d'entraînement.
14. À partir du côté opposé du carter d'engrenage (côté embrayage), pousser l'arbre d'entraînement à l'extérieur du carter d'engrenage.
15. Inspecter le joint d'étanchéité situé à l'intérieur de l'orifice où se trouvait l'arbre d'entraînement. Remplacer en cas d'usure ou de dommages. Pour enlever le joint d'étanchéité, utiliser un tournevis à lame plate et soulever soigneusement le joint d'étanchéité de l'orifice.
16. Nettoyer l'intérieur du carter d'engrenage.



Assemblage du rotor d'embrayage, champ d'embrayage et arbre d'entraînement

1. Si la graisse du joint d'étanchéité de l'arbre d'entraînement a été enlevée, placer un nouveau joint d'étanchéité dans l'orifice pour remplacer le vieux joint d'étanchéité.
2. À partir du côté où se trouve l'embrayage dans le carter d'engrenage, introduire l'arbre d'entraînement dans l'orifice, à travers la graisse du joint d'étanchéité ainsi que le roulement à billes situé du côté de l'engrenage dans le carter d'engrenage.
3. À partir du côté de l'engrenage du carter d'engrenage, insérer le circlip dans la gorge située sur le moyeu de l'arbre d'entraînement devant le roulement à billes.
4. Mettre le joint statique du carter sur les goupilles de positionnements du carter d'engrenage.
5. Placer soigneusement le corps de la pompe devant le carter d'engrenage, en alignant chaque goupille de positionnements du carter d'engrenage avec son orifice correspondant situé dans le corps de la pompe. Glisser le corps de la pompe dans le carter d'engrenage jusqu'à ce qu'il n'y ait plus d'espace entre le corps de la pompe, le carter d'engrenage et le joint statique.

IMPORTANT : Ne serrer le corps de la pompe contre le carter d'engrenage.

6. Repérer les quatre vis à tête creuse et les rondelles de blocage qui rattachent le corps de la pompe contre le carter d'engrenage.
7. À l'aide d'une clé hexagonale de 1/4 po, visser et serrer les vis à tête creuse en alternance, en suivant un motif en croix. Appliquer un couple de 200 à 230 po-lb.
8. Aligner les quatre orifices situés à l'extérieur du champ de l'embrayage avec les quatre orifices des vis à tête creuse dans le carter d'engrenage. Les fils du champ d'embrayage devraient être placés environ à la position 1 h ou 2 h du cadran d'une montre.
9. Guider les deux fils du champ d'embrayage à travers l'orifice et le logement de commande.
10. Glisser soigneusement le champ d'embrayage dans son orifice, puis dans le carter d'engrenage jusqu'à ce qu'il arrive au fond du carter. Ne pas pincer les fils du champ d'embrayage pendant l'installation.
11. Visser l'une des vis pression pointue dans son orifice. À l'aide d'une clé hexagonale de 1/8 po, tourner lentement la vis jusqu'à ce qu'elle touche le champ d'embrayage. Ne pas resserrer la vis pression. Le bout de la vis pression devrait s'accoupler avec l'orifice de point de foret dans le champ. Vérifier si le champ d'embrayage peut faire une rotation. S'il tourne dans son orifice, la vis pression n'est pas bien installée dans le point de foret.
12. Une fois que la vis pression est correctement en place, installer les trois autres vis pression pointues. Ne pas resserrer les vis pression.
13. Resserrer chaque vis pression pointue, en alternance en suivant un motif en croix jusqu'à ce qu'elles soient bien serrées. Dès que les quatre vis pression pointues sont bien serrées, serrer en alternance en suivant un motif en croix et appliquer un couple de 70 à 80 po-lb.

IMPORTANT : Il est très important de visser, de bien serrer et d'appliquer un couple uniformément sur les vis pression pointue en suivant un motif en croix. C'est pour faire en sorte que le champ d'embrayage reste bien centré dans le carter de l'engrenage.

15. Aligner les trois orifices de vis et l'orifice de la goupille de positionnement du rotor de l'embrayage avec les orifices de vis et la goupille de positionnement sur le moyeu de l'arbre d'entraînement. Placer le rotor de l'embrayage sur le moyeu.
16. À l'aide d'une clé hexagonale de 3/16 po, visser les trois vis à tête creuse et les rondelles de blocage à travers le rotor de l'embrayage et dans le moyeu de l'arbre d'entraînement. Visser et serrer de façon égale les vis à tête creuse et appliquer un couple de 75 à 85 po-lb.
17. S'assurer que la surface de friction du rotor de l'embrayage est propre et exempte d'huile ou de graisse.
18. Repérer les deux fils du champ d'embrayage dans le logement de commande. Tirer prudemment à fond sur les fils qui sont dans le logement de la prise pour alimentation électrique externe pour qu'il n'y ait pas de ralentissement dans le logement. Brancher les fils sur les terminaux du relais (se reporter aux étiquettes utilisées plus tôt dans la procédure ou en suivant le schéma électrique présenté dans la section « Liste de pièces » de ce manuel).
19. Placer soigneusement le dissipateur de chaleur sur le logement de commande en prenant soin de ne pincer aucun fils.
20. Installer les quatre vis qui retiennent le dissipateur de chaleur au logement de commande. Resserrer les vis.

Accouplement du carter d'engrenage et du carter d'embrayage

1. Placer le carter de l'engrenage sur le chariot devant le carter de l'embrayage. Aligner les goupilles de positionnement dans le carter de l'engrenage avec leurs orifices correspondants dans le carter de l'embrayage. Glisser le carter de l'engrenage dans le carter de l'embrayage jusqu'à ce qu'il n'y ait plus d'espace entre les carters.
2. Visser les quatre vis hexagonales et les rondelles de blocage à travers le carter d'embrayage et dans le carter de l'engrenage.
3. À l'aide d'une douille à 12 points de 5/6 po, visser et renforcer les vis hexagonales en alternance en suivant un motif en croix. Appliquer un couple de 140 à 155 po-lb.
4. À l'aide d'une douille de 9/16 po, visser la vis hexagonale qui fixe le carter de l'engrenage au chariot à travers la partie inférieure du chariot et dans le carter de l'engrenage. Appliquer un couple de 100 à 120 po-lb.
5. Brancher le fil du logement de la prise pour alimentation électrique externe à son connecteur homologue situé sur le faisceau de câbles du moteur.

Vérification de l'écartement de l'embrayage

1. Retirer le bouchon en plastique qui recouvre la partie supérieure du carter de l'embrayage. Regarder à travers le port pour repérer l'armature de l'embrayage et le rotor d'embrayage.
2. Vérification l'écartement entre l'armature de l'embrayage et le rotor de l'embrayage à l'aide d'une lame calibrée de 0,016 po et une autre de 0,035 po.
 - a. Insérer chaque lame calibrée à travers le port et dans l'écartement entre l'armature de l'embrayage et le rotor de l'embrayage. La lame calibrée de 0,016 po doit correspondre à la taille de l'écartement. La lame calibrée de 0,035 po ne devrait pas pouvoir remplir l'écartement.
 - b. Tirer à plusieurs reprises le cordon de tirage du moteur pour faire roter l'armature de l'embrayage, en vérifiant l'écartement avec chaque lame calibrée après chaque tirage.
 - c. Si la lame calibrée de 0,016 po ne correspond pas à la taille de l'écartement ou si la lame calibrée de 0,035 po correspond à la taille de l'écartement à n'importe quel point de contrôle, il faut procéder à un réajustement de l'écartement. On peut le faire en modifiant la position du moyeu de l'embrayage et les composants de l'armature de l'arbre du moteur. Se référer à la section qui décrit la procédure de « Démontage du rotor de l'embrayage, du champ de l'embrayage et de l'arbre d'entraînement » dans ce manuel.

Maintenance de la section des liquides

On doit suivre les procédures suivantes pour effectuer la maintenance des soupapes et remplacer les tampons graisseurs de la section des liquides.

1. Desserrer et retirer les quatre vis du couvercle avant et retirer ce dernier.
2. Démarrer le moteur (se référer aux procédures décrites dans la section « Fonctionnement » de ce manuel). Régler le bouton de régulation de la pression dans le sens des aiguilles d'une montre jusqu'au maximum.
3. Actionner rapidement l'interrupteur MARCHÉ/ARRÊT du pulvérisateur entre les positions MARCHÉ et ARRÊT jusqu'à ce que le coulisseau et le piston s'arrêtent au point mort (les positions les plus basses).
4. Arrêter le moteur et effectuer la procédure de décompression



Avant de procéder, on doit suivre les directives de la section Procédure de décompression du présent manuel. On doit également respecter tous les autres avertissements si on veut éviter les blessures par injection, par contact avec une pièce mobile ou par choc électrique.

Maintenance des soupapes

La conception de la section des liquides du vaporisateur fait en sorte qu'on peut accéder aux soupapes de retenue et de sortie, de même qu'à leur siège respectif, sans avoir à démonter toute la section. Il arrive que ces soupapes soient mal assises à cause de débris accumulés; en suivant les directives ci-dessous, on peut les nettoyer et inverser ou remplacer leur siège.

NOTA : Garder le pulvérisateur en position verticale au cours de cette procédure.

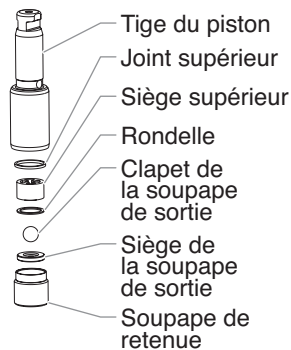
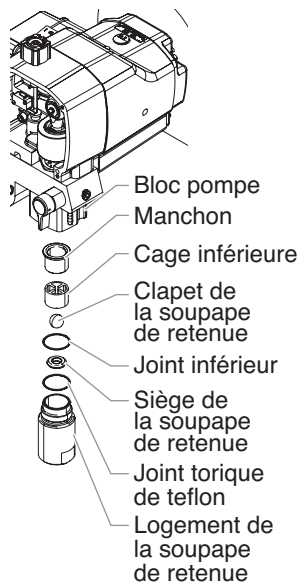
1. Au moyen d'une clé, desserrer et retirer le logement de la soupape de retenue du bloc pompe.
2. Enlever tous les débris dans le logement et examiner les composants; si le siège est endommagé, l'inverser ou le remplacer.

NOTA : Si le siège de la soupape d'admission est inversé ou remplacé, il faut remplacer le roulement de la soupape d'admission.

3. À l'aide d'une clé hexagonale de 1 cm (3/8 po), dévisser et retirer le logement de la soupape de sortie de la tige du piston.

NOTA: La tige du piston doit toujours être raccordée à la pompe quand on effectue l'entretien de la soupape de sortie; ce faisant, on évitera que la tige pivote lorsqu'on démonte la soupape.

4. Enlever tous les débris dans le logement et examiner les composants; si le siège est endommagé, l'inverser ou le remplacer.



NOTA : Si le siège de la soupape de refoulement est mis à l'envers ou remplacé, il faut remplacer le roulement de la soupape de refoulement.

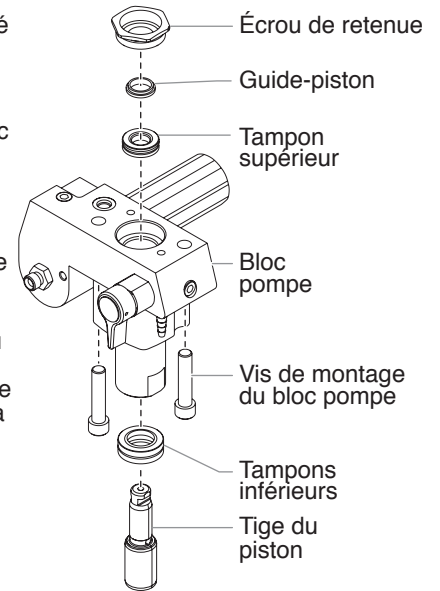
5. Retirer, nettoyer et inspecter la cage et le clapet supérieurs; les remplacer s'ils sont usés ou endommagés.
6. Remonter les soupapes en reprenant les étapes ci-dessus à l'envers.

Remplacement des tampons graisseurs

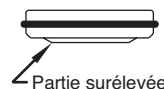
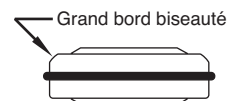
1. Retirer les soupape de retenue en suivant les directives de la section Maintenance des soupapes ci-dessus.

NOTA: La valve de sortie n'a pas besoin d'être démonté à partir de la tige de piston pour cette procédure.

2. Au moyen d'une clé hexagonale de 1,0 cm, desserrer et retirer les deux vis de montage du bloc pompe.
3. Tirer sur le bloc pompe afin de le faire ressortir d'environ 1,5 cm de son logement.
4. Glisser le bloc pompe et la tige du piston vers l'avant jusqu'à ce que cette dernière sorte de la rainure en T de la bielle.
5. Glisser la tige du piston hors de la partie inférieure du bloc pompe.
6. Desserrer et retirer l'écrou de retenue et le guide-piston du bloc pompe.
7. Retirer les tampons supérieur et inférieurs du bloc pompe.
8. Nettoyer le bloc pompe.
9. Repérer les nouvelles garnitures d'étanchéité inférieure et supérieure et garnir les espaces autour des garnitures d'étanchéité avec de la graisse. Lubrifier les joints toriques à l'extérieur des garnitures avec de la graisse.
10. Inspecter la tige du piston pour y déceler toute trace d'usure et la remplacer au besoin.
11. Insérer la garniture supérieure dans le haut du bloc de la pompe avec la lèvre surélevée de la garniture tournée vers le bas.
12. Insérer le guidage du piston dans l'écrou de retenue. Visser à la main l'écrou de retenue dans le bloc de la pompe jusqu'à ce qu'il soit bien fixé.
13. Préformer la garniture inférieure à l'aide du calibre correspondant (fourni dans la trousse de regarnissage).
14. Insérer partiellement la garniture inférieure dans la partie inférieure du bloc de la pompe de façon à ce que le côté qui a le joint torique plus proche à la face de la garniture soit tourné vers le haut.



La partie surélevée supérieure doivent être vers le bas.



La grand bord biseauté doivent être vers le haut.

15. Pousser la garniture inférieure en place en utilisant l'outil d'insertion de garniture (voir la partie de la liste des composants de la section « Tronçon d'acheminement

» pour le no de pièce de l'outil d'insertion de garniture inférieure).

16. Inspecter la tige du piston pour y déceler toute trace d'usure et la remplacer au besoin.

NOTA : Appliquer de la graisse sur l'outil de guidage du piston et sur la tige de piston avant de les insérer dans le bloc de la pompe.

17. Placer l'outil d'insertion de piston (fourni dans la trousse de regarnissage) au dessus de la tige de piston.
18. Insérer la tige de piston au fond du bloc de la pompe, à travers la garniture inférieure, en passant par la garniture supérieure et sortir par l'écrou de retenue. À l'aide d'un maillet en caoutchouc, taper doucement sur la base la tige du piston jusqu'à ce qu'elle s'installe dans le bloc de la pompe.

NOTA : Au moment de procéder au regarnissage du tronçon d'acheminement, s'assurer que la lèvresurlevée au fond de la garniture inférieure se trouve complètement à l'extérieur de la garniture autour de la tige du piston après l'insertion de la tige du piston.

19. Retirer l'outil d'insertion de piston de la tige du piston.
20. À l'aide d'une clé plate, resserrer l'écrou de retenue dans le bloc de la pompe. Appliquer un couple de 300 à 360 po-lb.
21. Glisser la partie supérieure de la tige du piston dans la rainure de fixation dans le coulisseau.
22. Placer le bloc de la pompe en dessous du carter d'engrenage et le pousser vers le haut jusqu'à ce qu'il touche le carter d'engrenage.

IMPORTANT : S'assurer que le transducteur est correctement aligné avec l'orifice du bloc de la pompe pendant le réassemblage. Un mauvais alignement peut endommager le joint statique du transducteur.

23. Visser les vis de montage du bloc de la pompe pour fixer le carter d'engrenage. Appliquer un couple de 400 à 440po-lb.
24. Réassembler le clapet de pied dans le bloc de la pompe.

NOTA : Pendant le réassemblage, s'assurer que le joint torique entre le bloc de la pompe et le logement du clapet de pied est lubrifié avec de la graisse et qu'il est en place.

25. Visser le tube-siphon dans le logement du clapet de pied et resserrer. S'assurer de recouvrir les filets du tube-siphon avec du ruban pour joints filetés avant le montage. Remplacer le tuyau de retour dans le collier de serrage sur le tube-siphon.
26. Visser le tuyau de retour dans le bloc de la pompe et resserrer.
27. Placer le couvercle avant sur le carter d'engrenage et le fixer à l'aide des quatre vis du couvercle avant.
28. Démarrer le pulvérisateur en suivant la procédure décrite dans la section « Fonctionnement » de ce manuel et vérifier les fuites.

NOTA : La trousse de regarnissage no 0555960 est disponible. Pour obtenir de meilleurs résultats, utiliser toutes les pièces contenues dans cette trousse.

Dépannage

Problème	Cause	Solution
A. L'appareil ne fonctionne pas.	<ol style="list-style-type: none"> 1. Le réglage de pression est trop bas. 2. Câblage défectueux ou débranché. 3. Le réservoir à essence est vide. 	<ol style="list-style-type: none"> 1. Faire tourner le bouton de commande de la pression pour alimenter l'appareil et accroître la pression. 2. Vérifier ou le faire réparer dans un centre d'entretien agréé par Titan. 3. Remplir le réservoir à essence.
B. L'appareil ne s'amorce pas.	<ol style="list-style-type: none"> 1. La soupape de PRIME/SPRAY est en position SPRAY. 2. Fuite d'air dans le flexible du siphon/d'aspiration. 3. Le filtre de la pompe et/ou le filtre d'entrée sont bouchés. 4. Le flexible de siphon/d'aspiration est bouché. 	<ol style="list-style-type: none"> 1. Faire tourner la soupape PRIME/SPRAY dans le sens des aiguilles d'une montre en position PRIME. 2. Vérifier le branchement du flexible du siphon/d'aspiration et serrer ou recoller le raccord avec du ruban en Téflon. 3. Démontez le filtre de la pompe et le nettoyer. Démontez le filtre d'entrée et le nettoyer. 4. Démontez le flexible du siphon/d'aspiration et le nettoyer.
C. La pression ne se fait pas dans l'appareil ou la pression n'est pas uniforme.	<ol style="list-style-type: none"> 1. L'embout d'aspiration est usé. 2. L'embout d'aspiration est trop grand. 3. Le bouton de commande de la pression n'est pas correctement fixé. 4. Le filtre de la pompe, le filtre du pistolet ou le filtre d'entrée sont bouchés. 5. Du produit s'échappe du flexible de retour lorsque la soupape de PRIME/SPRAY est en position SPRAY. 6. Fuite d'air dans le flexible du siphon/le flexible d'aspiration. 7. Il y a une fuite de liquide externe. 8. Il y a une fuite interne dans la section des liquides (les tampons graisseurs sont usés et/ou sales, les clapets sont usés). 9. Sièges de soupape usés. 	<ol style="list-style-type: none"> 1. Remplacer l'embout d'aspiration selon les consignes qui accompagnent le pistolet de vaporisation. 2. Remplacer l'embout d'aspiration par un embout à moins large selon les consignes qui accompagnent le pistolet de vaporisation. 3. Tourner le bouton dans le sens des aiguilles d'une montre pour augmenter la pression. 4. Démontez le filtre de la pompe et le nettoyer. Retirez le filtre du pistolet et le nettoyer. Démontez le filtre d'entrée et le nettoyer. 5. Nettoyer ou remplacer la soupape de PRIME/SPRAY. 6. Vérifier le branchement du flexible du siphon/d'aspiration et serrer ou recoller le raccord avec du ruban en Téflon. 7. Vérifier qu'il n'y a pas de fuites externes dans tous les raccords. Resserrer les raccords au besoin. 8. Nettoyer les soupapes et la section des liquides selon la procédure "Maintenance de la Section des Liquides" décrite au chapitre Maintenance de ce manuel. 9. Inverser ou remplacer les sièges de soupape selon la procédure "Maintenance de la Section des Liquides" décrite au chapitre Maintenance de ce manuel.
D. Fuite de liquide dans la partie supérieure de la section des liquides.	<ol style="list-style-type: none"> 1. Les tampons graisseurs supérieurs sont usés. 2. La tige du piston est usée. 	<ol style="list-style-type: none"> 1. Regarnir selon la procédure "Maintenance de la Section des Liquides" décrite au chapitre Maintenance de ce manuel. 2. Remplacer la tige du piston selon la procédure "Maintenance de la Section des Liquides" décrite au chapitre Maintenance de ce manuel.
E. Trop grand afflux au pistolet vaporisateur.	<ol style="list-style-type: none"> 1. Mauvais type de flexible de vaporisation sans air. 2. L'embout d'aspiration est usé ou trop grand. 3. Pression excessive. 	<ol style="list-style-type: none"> 1. Remplacer le flexible par un flexible de vaporisation de peinture sans air en tresse de textile de 1/4" et de 15m de longueur. 2. Remplacer l'embout d'aspiration selon les consignes qui accompagnent le pistolet de vaporisation. 3. Faire tourner le bouton de commande de la pression dans le sens inverse des aiguilles d'une montre pour réduire la pression d'évaporation.
F. Forme de vaporisation incorrecte.	<ol style="list-style-type: none"> 1. L'embout d'aspiration est trop grand pour le produit utilisé. 2. Mauvais réglage de pression. 3. Sortie de liquide insuffisante. 4. Le produit vaporisé est trop visqueux. 	<ol style="list-style-type: none"> 1. Remplacer l'embout d'aspiration par un embout neuf ou plus petit selon les consignes qui accompagnent le pistolet de vaporisation. 2. Faire tourner le bouton de commande de la pression pour régler la pression sur une forme de vaporisation plus adaptée. 3. Nettoyer toutes les crépines et tous les filtres. 4. Ajouter du solvant au produit selon les recommandations du fabricant.
G. L'outil n'est pas pouvoir.	<ol style="list-style-type: none"> 1. Le réglage de la pression est trop faible. 	<ol style="list-style-type: none"> 1. Faire tourner le bouton de commande de la pression dans le sens des aiguilles d'une montre pour augmenter la pression.



Información de seguridad importante • Lea toda la información de seguridad antes de operar el equipo. **GUARDE ESTAS INSTRUCCIONES.**



Indica una situación peligrosa que, de no evitarse, puede causar la muerte o lesiones graves.



Para reducir los riesgos de incendios, explosiones, descargas eléctricas o lesiones a las personas, lea y entienda todas las instrucciones incluidas en este manual. Familiarícese con los controles y el uso adecuado del equipo.

PELIGRO: LESIÓN POR INYECCIÓN

El flujo de pintura a alta presión que produce este equipo puede perforar la piel y los tejidos subyacentes, ocasionando lesiones graves y posible amputación. CONSULTE A UN MÉDICO INMEDIATAMENTE.



¡NO TRATE LA LESIÓN POR INYECCIÓN COMO UNA CORTADURA SIMPLE! La inyección puede ocasionar amputación. Consulte a un médico inmediatamente.

La gama operativa máxima de la pistola es de 3300 PSI / 22,8 MPa de presión del líquido.

PREVENCIÓN:

- NUNCA apunte la pistola a ninguna parte del cuerpo.
- No apunte con la pistola ni rocíe a cualquier persona o animal.
- NUNCA deje que ninguna parte del cuerpo toque el flujo de líquido. NO deje que el cuerpo toque una fuga de la manguera de líquido.
- NUNCA ponga la mano frente a la pistola. Los guantes no protegen contra una lesión por inyección.
- SIEMPRE ponga el seguro del gatillo, apague la bomba y libere toda la presión antes de dar servicio, limpiar la boquilla o protección, cambiar la boquilla o dejar la pistola sin supervisión. No se libera la presión al apagar el motor. Debe girarse la perilla PRIME/ SPRAY (CEBAR/ROCIAR) a PRIME (CEBAR) para aliviar la presión. Consulte el PROCEDIMIENTO PARA ALIVIAR LA PRESIÓN descrito en este manual.
- SIEMPRE mantenga la protección de la boquilla en su sitio al rociar. La protección de la boquilla sirve principalmente de dispositivo de advertencia.
- SIEMPRE retire la boquilla rociadora antes de enjuagar o limpiar el sistema.
- La manguera de pintura puede presentar fugas por desgaste, dobleces y maltrato. La fuga puede inyectar material traspasando la piel. Inspeccione la manguera antes de cada uso. No use mangueras para levantar o tirar del equipo.
- NUNCA use una pistola rociadora sin contar con el seguro y la protección del gatillo.
- Todos los accesorios deben tener capacidades nominales de 3300 PSI / 22,8 MPa como mínimo. Esto incluye las boquillas rociadoras, pistolas, extensiones y manguera.
- No deje el aparato con corriente ni con presión cuando nadie esté pendiente de ella. Cuando no utilice el aparato, apáguelo y libere la presión siguiendo las instrucciones del PROCEDIMIENTO PARA ALIVIAR LA PRESIÓN descrito en este manual.
- Antes de utilizar el aparato, verifique que todas las conexiones son seguras. Las partes no aseguradas pueden ser expulsadas con gran fuerza o filtrar fluido a alta presión y provocar lesiones severas.
- Ponga siempre el seguro del gatillo cuando no esté pulverizando. Verifique que el seguro del gatillo funciona correctamente.

NOTA PARA EL MÉDICO:

La inyección a través de la piel es una lesión traumática. Es importante tratar la lesión tan pronto sea posible. No retrase el tratamiento para investigar la toxicidad. La toxicidad es un factor a considerar con ciertos revestimientos inyectados directamente en la corriente sanguínea. Puede ser aconsejable consultar con un cirujano plástico o un cirujano especialista en reconstrucción de las manos.

PELIGRO: VAPORES PELIGROSOS

Las pinturas, solventes, insecticidas y demás materiales pueden ser nocivos si se inhalan o toman contacto con el cuerpo. Los vapores pueden causar náuseas graves, desmayos o envenamiento.



PREVENCIÓN:

- Use un respirador o mascarilla si pueden inhalarse los vapores. Lea todas las instrucciones suministradas con la mascarilla para revisar que brinde la protección necesaria.
- Use lentes protectores.
- Use ropa protectora según lo indique el fabricante del revestimiento.



PELIGRO: EXPLOSIÓN O INCENDIO

Los vapores de solventes y pinturas pueden explotar o inflamarse. Pueden producirse daños materiales, lesiones graves o ambos.



PREVENCIÓN:

- Cuentec con escape y entrada de aire fresco para mantener el aire dentro de la zona de aplicación sin acumulaciones de vapores inflamables. Los gases producidos por solventes o pinturas pueden causar explosiones o incendios.
- No rocíe en lugares cerrados.
- Evite todas las fuentes de ignición como las chispas de electricidad estática, las llamas expuestas, appliances eléctricas, las luces piloto y los objetos calientes. La conexión o desconexión de cables eléctricos o interruptores de luz operativos puede producir chispas. Si la pintura o el solvente fluyen por el equipo se puede generar electricidad estática.
- No fume en el área de aplicación.
- Debe haber un extintor de incendios en buen estado.
- Coloque la bomba de pintura a un mínimo de 7.62 meters (25 pies) del objeto a pintar dentro de un área bien ventilada (añada más manguera si es necesario). Los vapores inflamables son generalmente más pesados que el aire. El área debe estar sumamente bien ventilada.
- El equipo y los objetos dentro y alrededor del área a pintar deben estar debidamente conectados a tierra para evitar las chispas de estática.
- Mantenga el área limpia y libre de contenedores de pintura o solvente, trapos y otros materiales inflamables.
- Use solamente una manguera conductora o conectada a tierra para líquidos a alta presión. La pistola debe conectarse a tierra a través de las conexiones de la manguera.
- Para las aparatos eléctricas — Debe conectarse el cable eléctrico a un circuito a tierra.
- Siempre enjuague la unidad dentro de un recipiente metálico separado, con la bomba a baja presión y habiendo sacado la boquilla rociadora. Sostenga la pistola firmemente contra el costado del recipiente para conectar a tierra el mismo y evitar chispas de estática.
- Siga las advertencias e instrucciones del fabricante del material y del solvente. Conozca los contenidos de las pinturas y los solventes con los que rocía. Lea todas las Hojas de Datos sobre Seguridad de Materiales (MSDS) y las etiquetas del contenedor provistas con las pinturas y los solventes. Siga las instrucciones de seguridad del fabricante de pinturas o solventes.
- No pulverice ni limpie con líquidos que tengan un punto de inflamación por debajo de 21 °C (70°F). El punto de inflamación es la temperatura a la que un fluido puede producir vapores suficientes para encenderse.
- El plástico puede causar chispas de estática. Nunca cuelgue plásticos para cerrar una zona a pintar. No use mantas plásticas al aplicar materiales inflamables.
- Use la presión más baja posible para enjuagar el equipo.
- No rocíe el ensamblaje de la bomba.





Información de seguridad importante • Lea toda la información de seguridad antes de operar el equipo. **GUARDE ESTAS INSTRUCCIONES.**

PELIGRO: POSIBLE EXPLOSIÓN DEBIDO A MATERIALES INCOMPATIBLES

Causará daños materiales o lesiones graves.



PREVENCIÓN:

- No use materiales que contengan blanqueador o cloro.
- No use solventes de hidrocarburos halogenados como blanqueador, mohocida, cloruro de metileno y 1,1,1 tricloroetano. No son compatibles con el aluminio.
- Diríjase al proveedor de revestimientos para obtener los datos de compatibilidad del material con el aluminio.

PELIGRO: GENERAL

Puede causar daños materiales o lesiones graves.

PREVENCIÓN:

- Lea todas las instrucciones y las precauciones de seguridad antes de operar el equipo.
- Siga todos los códigos locales, estatales y nacionales correspondientes que rijan la ventilación, prevención de incendios y operación.
- Se han adoptado las normas de seguridad del Gobierno de los Estados Unidos según la Ley de seguridad ocupacional y salud (Occupational Safety and Health Act, OSHA). Deben consultarse estas normas, particularmente el apartado 1910 de las Normas generales y el apartado 1926 de las Normas de construcción.
- Utilice solamente componentes autorizados por el fabricante. El usuario asume todo riesgo y responsabilidad al utilizar componentes que no cumplan con las especificaciones mínimas y requisitos de seguridad del fabricante de la bomba.
- Todos los acopladores, las mangueras y las tapas de los filtros deben estar asegurados antes de operar la bomba de rocío. Las partes no aseguradas pueden ser expulsadas con gran fuerza o filtrar fluido a alta presión y provocar lesiones severas.
- Antes de cada uso, revise todas las mangueras en busca de cortes, fugas, abrasión o hinchazón de la cubierta. Revise si hay daños o movimiento de los acoplamiento. Cambie inmediatamente la manguera si existe alguna de estas condiciones. Nunca repare una manguera de pintura. Cámbiela por otra manguera conectada a tierra apta para alta presión.
- No retuerza ni doble la manguera en exceso. En la manguera airless pueden aparecer fugas a causa del desgaste, de retorcimientos o de un mal uso. Una fuga puede inyectar material en la piel.
- No exponga la manguera a temperaturas o presiones que superen las especificadas por el fabricante.
- No pinte en exteriores en días con viento.
- Use ropa que mantenga la pintura alejada de la piel y el cabello.
- No lo opere ni rocíe cerca de los niños. Mantenga a los niños alejados del equipo en todo momento.
- No se asome ni se pare sobre soportes inestables. Mantenga siempre la posición firme y el equilibrio efectivos.
- Use la presión más baja posible para enjuagar el equipo.
- Manténgase alerta y mire lo que hace.
- No utilice la unidad cuando se encuentre cansado o bajo la influencia de las drogas o el alcohol.
- Para las aparatos eléctricos — Desenchufe siempre el cable antes de trabajar en el equipo.
- No utilice la manguera como elemento de fuerza para tirar del equipo o levantarlo.
- No levantar por la manija del carro al cargar o descargando.

Seguridad del motor de gasolina



El escape del motor de esta unidad contiene productos químicos que el Estado de California reconoce que causan cáncer, defectos congénitos u otros daños a la reproducción.

- Los motores Honda han sido diseñados para ofrecer un servicio seguro y fiable, si son manejados de acuerdo con las instrucciones. Lea y comprenda el Manual del Propietario de Honda antes de hacer funcionar el motor. Si no hace esto, podrían producirse lesiones personales o daños en el equipo.
- Para evitar riesgos de incendio y proporcionar una ventilación adecuada, mantenga el motor como mínimo a 1 metro (tres pies) de edificios y de otros equipos durante su funcionamiento. No coloque objetos inflamables cerca del motor.
- Los niños y los animales de compañía deben mantenerse alejados del área de trabajo, debido a la posibilidad de quemaduras producidas por los componentes calientes del motor o de daños producidos por el equipo al que haga funcionar el motor.
- Conozca el modo de detener rápidamente el motor, y entienda el funcionamiento de todos los controles. No permita que nadie haga funcionar el motor sin las instrucciones adecuadas.
- La gasolina es extremadamente inflamable y es explosiva en determinadas circunstancias.
- Reabastézcase de combustible en una zona bien ventilada y con el motor apagado. No fume ni permita que haya llamas ni chispas en el área de reabastecimiento de combustible ni donde se almacene la gasolina.
- No llene excesivamente el tanque de combustible. Tras repostar, asegúrese de que la tapa del tanque está adecuadamente cerrada y asegurada.
- Tenga cuidado de no derramar combustible cuando realice el reabastecimiento. Los vapores del combustible o el combustible derramado pueden inflamarse. Si se derrama combustible, asegúrese de que el área esté seca antes de arrancar el motor.
- Nunca haga funcionar el motor en un área cerrada o reducida. Los gases de escape contienen monóxido de carbono tóxico: su exposición puede causar la pérdida del conocimiento y puede originar la muerte.
- El silenciador se calienta mucho durante el funcionamiento y permanece caliente durante un tiempo después de que el motor esté parado. Tenga cuidado de no tocar el silenciador mientras está caliente. Para evitar quemaduras graves o riesgos de incendio, deje que el motor se enfríe antes de transportarlo o almacenarlo en el interior.
- Nunca transporte una unidad con gasolina en el tanque.

Especificaciones

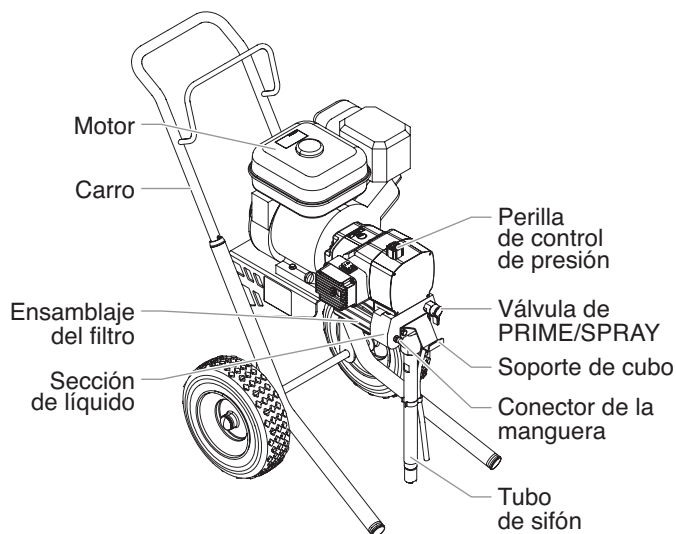
Capacidad (GPM).....	0.85 (3.2 LPM)
Tamaño max. de soportes.....	uno pistola gun = 0.030" dos pistolas = 0.021"
Max presión de pulverización.....	3300 PSI (22.8 MPa)
Potencia.....	Motor de gasolina de 4.5 HP
Peso	128 lbs. (58.1 kg)
Cable de alimentación, dimensión máxima.....	300' (91.4 m)

Contenido

Precauciones de seguridad.....	32
Especificaciones	33
Descripción general	34
Funcionamiento.....	34
Abastecimiento de combustible.....	34
Configuración	34
Preparación de un rociador nuevo	35
Preparación para pintar.....	35
Pintura.....	36
Procedimiento para aliviar la presión	37
Rociado	37
Técnica de rociado	37
Práctica	38
Limpieza	38
Mantenimiento	39
Notas generales de reparación y servicio	39
Mantenimiento del motor.....	39
Reemplazo o limpieza de filtros	40
Reemplazo de la válvula de PRIME/SPRAY.....	40
Reemplazo de interruptor ON/OFF	40
Reemplazo de los engranajes o del conjunto deslizante ..	41
Reemplazo del transductor	42
Mantenimiento del conjunto de embrague	42
Servicio a la sección de líquidos	45
Solución de problemas.....	47
Liste de piezas	48
Ensamblaje principal	48
Ensamblaje de la caja de engranajes	50
Ensamblaje de la sección de líquidos	52
Ensamblaje de carro	54
Conjunto de sifón de 5 galones (opcional)	54
Etiquetas	55
Accesorios.....	56
Garantía.....	59

Descripción general

Este rociador sin aire es una herramienta precisa que se utiliza para rociar diferentes tipos de materiales. Lea y siga este manual de instrucciones minuciosamente para ver las instrucciones de operación apropiadas, así como también información de mantenimiento y seguridad.



Este equipo produce un flujo constante a presiones extremadamente altas. Lea detalladamente las advertencias de la sección Precauciones de seguridad en la parte delantera de este manual antes de operar este equipo.

Funcionamiento

Abastecimiento de combustible (motor de gasolina)



La gasolina es extremadamente inflamable y es explosiva en determinadas circunstancias.

- Apague SIEMPRE el motor antes de realizar el reabastecimiento.
- Realice el reabastecimiento en una zona bien ventilada.
- No fume ni permita que haya llamas ni chispas en el área de reabastecimiento de combustible ni donde se almacene la gasolina.
- No llene excesivamente el tanque de combustible. Tras repostar, asegúrese de que la tapa del tanque está adecuadamente cerrada y asegurada.
- Tenga cuidado de no derramar combustible cuando realiza el reabastecimiento. El combustible derramado o el vapor del combustible pueden inflamarse. Si se derrama combustible, asegúrese de que el área está seca antes de arrancar el motor.
- Evite el contacto prolongado o repetido con la piel, o respirar los vapores.
- Mantener fuera del alcance de los niños.

Especificaciones del combustible

- Utilice gasolina para automóviles que tenga un índice de octano en la bomba de 86 o más, o que tenga un índice de octano-investigación de 91 o más. El uso de una gasolina de menos octanos puede causar un persistente "picado" o "autoencendido" fuerte (un ruido metálico de golpes) que, si es grave, puede llegar a dañar el motor.

NOTA: Si el "autoencendido" o "picado" se produce a una velocidad constante del motor en condiciones de carga normal, cambie de marca de gasolina. Si el autoencendido o picado persiste, consulte a un distribuidor autorizado del fabricante del motor. No hacerlo se considera uso indebido, y los daños causados por la mala utilización no están cubiertos por la garantía limitada del fabricante del motor.

Ocasionalmente, es posible que experimente ligeros "autoencendidos" cuando opera en condiciones de carga fuertes. No hay motivo para preocuparse, sólo significa que su motor está funcionando eficazmente.

- El combustible sin plomo produce menos depósitos en el motor y en las bujías y prolonga la vida de los componentes del sistema de escape.
- Nunca utilice gasolina deteriorada o contaminada ni una mezcla de aceite y gasolina. Evite introducir suciedad, polvo o agua en el tanque de combustible.

Gasolinas que contienen alcohol

Si decide utilizar una gasolina que contiene alcohol (gasohol), asegúrese de que su calificación en octanos es como mínimo tan alta como la recomendada por el fabricante del motor. Existen dos tipos de "gasohol": uno contiene etanol, y el otro contiene metanol. No utilice gasohol que contenga más del 10% de etanol. No utilice gasolina que contenga metanol (alcohol metílico o de madera) que no contenga también co-disolventes e inhibidores de la corrosión para el metanol. Nunca utilice gasolina que contenga más del 5% de metanol, incluso si tiene co-disolventes e inhibidores de la corrosión.

NOTA: Los daños en el sistema de combustible o los problemas de rendimiento del motor producidos como resultado del uso de combustibles que contengan alcohol no están cubiertos por la garantía. El fabricante del motor no puede respaldar el uso de combustibles que contengan metanol, ya que las evidencias de su adecuación son incompletas en estos momentos.

Antes de comprar gasolina en una gasolinera que no le sea familiar, trate de averiguar si la gasolina contiene alcohol. Si es así, confirme el tipo de alcohol utilizado y su porcentaje. Si advierte alguna característica no deseada en el funcionamiento mientras utiliza una gasolina que contenga alcohol, o que usted piensa que contiene alcohol, cambie a una gasolina que sepa que no contiene alcohol.

Configuración

Realice el siguiente procedimiento antes de arrancar el motor de un pulverizador impulsado por gasolina.

1. Asegúrese de que el tubo del sifón y la manguera de retorno estén conectados y fijos.
2. Conecte el cable de conexión a tierra que se proporciona a un objeto puesto a tierra.
3. Use una llave para conectar un mínimo de 50' de la manguera de pulverización sin aire de nylon de 1/4" de grosor a la conexión de salida del pulverizador. Apriete firmemente.
4. Conecte una pistola pulverizadora sin aire en la manguera de pulverización. Use dos llaves (una en la pistola y la otra en la manguera) para apretar firmemente.

NOTA: Todavía no conecte la punta a la pistola rociadora. Quite la punta si ya estaba conectada.



Fíjese que todas las mangueras sin aire y las pistolas rociadoras estén conectadas a tierra y que tengan una capacidad nominal mínima de 3300 psi (22.8 MPa) de presión de fluido.

5. Gire completamente la perilla de control de presión en sentido contrario al de las agujas del reloj hasta el ajuste de presión más bajo.
6. Compruebe que el interruptor ON/OFF (Encendido/Apagado) del pulverizador esté en la posición OFF (Apagado).
7. Llene la copa de aceite de la sección de líquido con aproximadamente una cucharada de aceite de separación (Nº/P 313-481).

IMPORTANTE: Nunca haga funcionar la unidad durante más de 10 segundos sin líquido. La operación de esta unidad sin líquido ocasionará un desgaste innecesario de las empaquetaduras.

8. Revise el nivel de aceite del motor. El fabricante determina el nivel de aceite del motor de gasolina. Consulte el manual de servicio técnico del fabricante del motor (se proporciona).
9. Cierre la palanca de cierre de combustible y llene el tanque con gasolina. Sólo utilice gasolina sin plomo de alta calidad.

Preparación de un rociador nuevo

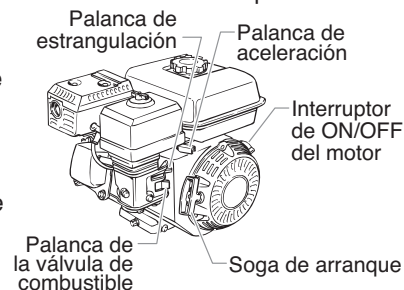
Si esta unidad es nueva, se envía con un líquido de prueba en la sección de líquidos para evitar la corrosión durante el envío y almacenamiento. Este líquido debe retirarse completamente del sistema con alcoholes minerales antes de comenzar a rociar.

IMPORTANTE: Mantenga siempre el seguro del gatillo de la pistola rociadora en la posición bloqueada mientras prepara el sistema.

1. Coloque el tubo del sifón en un recipiente con alcoholes minerales que tengan un punto de inflamación de 60° C (140° F) o superior.
2. Coloque la manguera de retorno en el contenedor de desechos de metal.
3. Gire completamente la perilla de control de presión en sentido contrario al de las agujas del reloj hasta el ajuste de presión más bajo.
4. Mueva la válvula PRIME/SPRAY a la posición PRIME.
5. Mueva el interruptor ON/OFF del motor a la posición ON.

6. Arranque el motor:

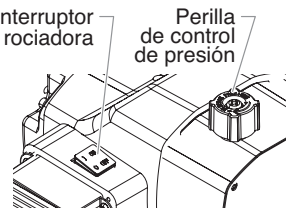
- a. Abra la palanca de la válvula de combustible.
- b. Mueva la palanca de aceleración lejos del tanque de gasolina.
- c. Cierre la palanca de estrangulación del motor.



- d. Sostenga la estructura con una mano, y tire la soga de arranque rápida y firmemente. Continúe sosteniendo la soga mientras ésta se devuelve. Tire y regrese la soga hasta que arranque el motor.

7. Encienda el pulverizador moviendo el interruptor ON/OFF del pulverizador a la posición ON.

8. Gire lentamente la perilla de control de presión en el sentido de las agujas del reloj para aumentar la presión hasta que empiece a salir líquido de la manguera de retorno. Use sólo la presión suficiente para mantener la salida de líquido.



9. Deje que el pulverizador funcione durante 15 a 30 segundos para eliminar el líquido de prueba por la manguera de retorno y hacia el contenedor de desechos.
10. Gire completamente la perilla de control de presión en sentido contrario al de las agujas del reloj hasta el ajuste más bajo.
11. Apague el pulverizador moviendo el interruptor ON/OFF del pulverizador a la posición OFF.

Preparación para pintar

Antes de pintar, es importante revisar que el líquido del sistema sea compatible con la pintura que va a utilizar.

NOTA: Los líquidos y pinturas incompatibles pueden causar que se atasquen cerradas las válvulas, lo cual puede necesitar que se desmonte y limpie la sección de líquidos del rociador.

IMPORTANTE: Mantenga siempre el seguro del gatillo de la pistola rociadora en la posición bloqueada mientras prepara el sistema.

1. Coloque el tubo del sifón en un recipiente con el solvente adecuado para el material que se vaya a pulverizar (consulte las recomendaciones del fabricante del material). Un ejemplo del solvente adecuado es el agua para la pintura látex.
2. Coloque la manguera de retorno en el contenedor de desechos de metal.
3. Gire completamente la perilla de control de presión en sentido contrario al de las agujas del reloj hasta el ajuste de presión más bajo.
4. Mueva la válvula PRIME/SPRAY a la posición PRIME.

NOTA: Sujete el tubo de retorno en el contenedor de residuos al mover el PRIME / SPRAY válvula de PRIME en caso de que el pulverizador es presurizado.

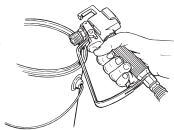
5. Mueva el interruptor ON/OFF del motor a la posición ON.
6. Arranque el motor:
 - a. Abra la palanca de la válvula de combustible.
 - b. Mueva la palanca de aceleración lejos del tanque de gasolina.
 - c. Cierre la palanca de estrangulación del motor.
 - d. Sostenga la estructura con una mano, y tire la soga de arranque rápida y firmemente. Continúe sosteniendo la soga mientras ésta se devuelve. Tire y regrese la soga hasta que arranque el motor.
7. Encienda el pulverizador moviendo el interruptor ON/OFF del pulverizador a la posición ON.
8. Gire lentamente la perilla de control de presión en el sentido de las agujas del reloj para aumentar la presión hasta que empiece a salir líquido de la manguera de retorno. Use sólo la presión suficiente para mantener la salida de líquido.
9. Deje que el pulverizador funcione durante 15 a 30 segundos para eliminar el solvente antiguo por la manguera de retorno y hacia el contenedor de desechos de metal.
10. Gire completamente la perilla de control de presión en sentido contrario al de las agujas del reloj hasta el ajuste más bajo.
11. Apague el pulverizador moviendo el interruptor ON/OFF del pulverizador a la posición OFF.

NOTA: Fíjese que la pistola rociadora no tenga instalada una punta o protección de punta.

12. Mueva la válvula PRIME/SPRAY a la posición SPRAY.
13. Encienda el pulverizador.
14. Gire lentamente la perilla de control de presión en el sentido de las agujas del reloj para aumentar la presión.
15. Desbloquee la pistola girando el seguro de su gatillo a la posición desbloqueada.



Conecte a tierra la pistola apoyándola contra el borde del recipiente de metal mientras elimina el líquido. De lo contrario puede provocar la descarga de electricidad estática, lo cual a su vez puede ocasionar un incendio.



16. Apriete el gatillo de la pistola hacia el contenedor de desechos de metal hasta que ya no quede solvente antiguo y comience a salir solvente nuevo.
17. Bloquee la pistola girando el seguro de su gatillo a la posición bloqueada.
18. Baje la pistola y aumente la presión girando la perilla de control de presión lentamente en el sentido de las agujas del reloj hacia el ajuste más alto.
19. Revise que el sistema no tenga fugas. Si las hay, apague el pulverizador y siga el "Procedimiento de liberación de presión" de este manual antes de apretar cualquier conexión o manguera.
20. Siga el "Procedimiento de liberación de presión" de este manual antes de cambiar del solvente a la pintura.

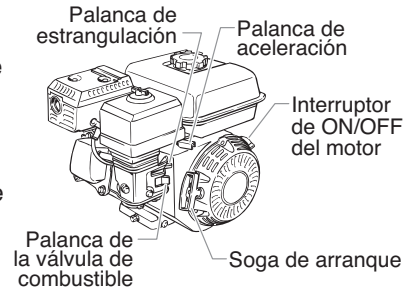


No deje de seguir el procedimiento para aliviar la presión cuando apague la unidad por cualquier motivo, incluso el servicio o ajuste de alguna pieza del sistema de rociado, cambio o limpieza de las puntas rociadoras o la preparación para la limpieza.

Pintura

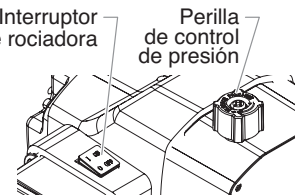
1. Coloque el tubo de sifón en un recipiente con pintura.
2. Coloque la manguera de retorno en el contenedor de desechos de metal.
3. Gire completamente la perilla de control de presión en sentido contrario al de las agujas del reloj hasta el ajuste de presión más bajo.
4. Mueva la válvula PRIME/SPRAY a la posición PRIME.
5. Mueva el interruptor ON/OFF del motor a la posición ON.

6. Arranque el motor:
 - a. Abra la palanca de la válvula de combustible.
 - b. Mueva la palanca de aceleración lejos del tanque de gasolina.
 - c. Cierre la palanca de estrangulación del motor.
 - d. Sostenga la estructura con una mano, y tire la soga de arranque rápida y firmemente. Continúe sosteniendo la soga mientras ésta se devuelve. Tire y regrese la soga hasta que arranque el motor.



7. Encienda el pulverizador moviendo el interruptor ON/OFF del pulverizador a la posición ON.

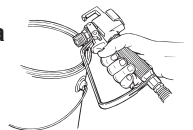
8. Gire lentamente la perilla de control de presión en el sentido de las agujas del reloj para aumentar la presión hasta que empiece a salir líquido de la manguera de retorno. Use sólo la presión suficiente para mantener la salida de líquido.



9. Deje que el pulverizador funcione hasta que salga pintura por la manguera de retorno hacia el contenedor de desechos de metal.
10. Gire completamente la perilla de control de presión en sentido contrario al de las agujas del reloj hasta el ajuste más bajo.
11. Apague el pulverizador moviendo el interruptor ON/OFF del pulverizador a la posición OFF.
12. Retire la manguera de retorno del contenedor de desechos y colóquela en la posición de funcionamiento sobre el recipiente con pintura.
13. Mueva la válvula PRIME/SPRAY a la posición SPRAY.
14. Encienda el pulverizador.
15. Gire lentamente la perilla de control de presión en el sentido de las agujas del reloj para aumentar la presión.
16. Desbloquee la pistola girando el seguro de su gatillo a la posición desbloqueada.



Conecte a tierra la pistola apoyándola contra el borde del recipiente de metal mientras elimina el líquido. De lo contrario puede provocar la descarga de electricidad estática, lo cual a su vez puede ocasionar un incendio.



17. Apriete el gatillo de la pistola hacia el contenedor de desechos de metal hasta que salga todo el aire y el solvente de la manguera de pulverización, y hasta que la pintura fluya sin problemas por la pistola.
18. Bloquee la pistola girando el seguro de su gatillo a la posición bloqueada.
19. Gire completamente la perilla de control de presión en sentido contrario al de las agujas del reloj hasta el ajuste más bajo.

20. Apague el pulverizador.
21. Conecte la protección de la punta y la punta en la pistola como se indica en los manuales de protección de la punta o punta.



POSIBLE PELIGRO DE INYECCIÓN. No rocíe sin la protección de la punta en su lugar. Nunca apriete el gatillo de la pistola a menos que la punta esté en la posición de rociado o desatasco. Siempre coloque el seguro del gatillo de la pistola antes de retirar, reemplazar o limpiar la punta.

22. Encienda el pulverizador.
23. Aumente la presión al girar la perilla de control de presión lentamente en el sentido de las agujas del reloj y pruebe el patrón de pulverización en un pedazo de cartón. Ajuste la perilla de control de presión hasta que se atomice completamente la pulverización de la pistola. Intente mantener la perilla de control de presión en el ajuste más bajo que mantenga una buena atomización.

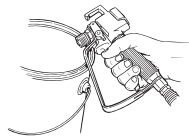
NOTA: Si se sube la presión más de lo necesario para atomizar la pintura causará el desgaste prematuro de la punta y rociará en exceso.

Procedimiento para aliviar la presión



No deje de seguir el procedimiento para aliviar la presión cuando apague la unidad por cualquier motivo, incluso el servicio o ajuste de alguna pieza del sistema de rociado, cambio o limpieza de las puntas rociadoras o la preparación para la limpieza.

1. Bloquee la pistola girando el seguro del gatillo de la pistola a la posición bloqueada.
2. Apague la unidad moviendo el interruptor de ON/OFF a la posición OFF.
3. Mueva el interruptor ON/OFF del motor a la posición OFF.
4. Gire completamente la perilla de control de presión en sentido contrario al de las agujas del reloj hasta el ajuste más bajo.
5. Desbloquee la pistola girando el seguro del gatillo de la pistola a la posición liberada.
6. Sostenga firmemente la parte metálica de la pistola contra el lado de un recipiente metálico para conectar a tierra la pistola y evitar la acumulación de electricidad estática.
7. Accione el gatillo para aliviar toda presión que haya quedado en la manguera.
8. Bloquee la pistola girando el seguro del gatillo de la pistola a la posición bloqueada.
9. Mueva hacia abajo la válvula PRIME/SPRAY a la posición PRIME.

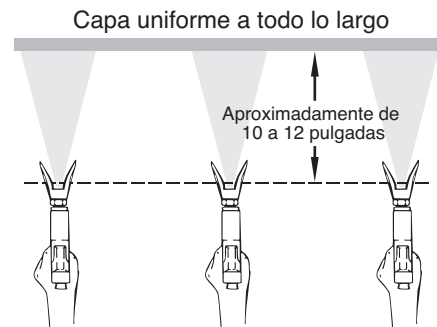


Rociado

NOTA: Cuando pulverice masilla para bloques, mástiques o revestimientos con alto contenido sólido, retire el filtro de la pistola y las rejillas del filtro de alta presión.

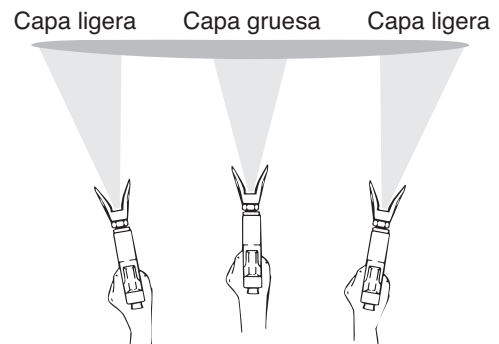
Técnica de rociado

La clave para lograr un buen trabajo de pintura consiste en aplicar un revestimiento uniforme a través de toda la superficie. Esto se logra empleando descargas uniformes. Mantenga el brazo moviéndose a una velocidad constante y la pistola de atomización a una distancia de la superficie también constante. La mejor distancia para atomizar es de 10 a 12 pulgadas, entre la boquilla del atomizador y la superficie.



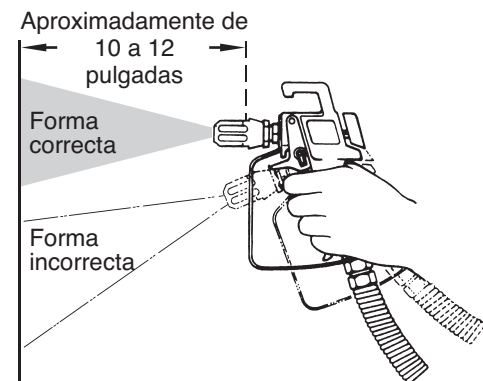
Mantenga una descarga que sea suave y a una velocidad uniforme.

Mantenga la pistola de atomización en ángulo recto con la superficie. Esto significa que debe mover todo el brazo de un lado para otro en lugar de flexionar sólo la muñeca.



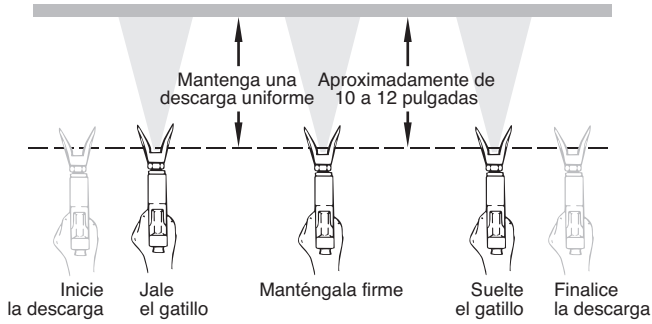
No flexione la muñeca mientras atomice.

Mantenga la pistola de atomización perpendicular a la superficie; de lo contrario un extremo del patrón quedará más grueso que el otro.



La pistola de atomización debe dispararse encendiéndola y apagándola cada vez que se haga una descarga. Con esto se ahorrará pintura y se evitará una acumulación de pintura al final de cada descarga. No dispare la pistola en medio de una descarga. Esto traería como consecuencia que la atomización no fuera uniforme y el recubrimiento tuviera salpicaduras.

Forma apropiada de disparar la pistola de atomización

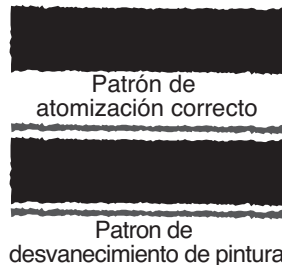


Al efectuar las descargas haga que las capas se traslapen aproximadamente un 30%. Con esto se asegurará un revestimiento uniforme.

Cuando deje de pintar, bloquee el interruptor de seguridad de la pistola. Gire la perilla de control de la presión en dirección opuesta a las manecillas del reloj hasta la posición más baja y fije la perilla de cebadura en la posición PRIME. Gire el interruptor del motor hasta la posición OFF y desconecte el atomizador.

Práctica

1. Revise que la manguera de pintura no tenga dobleces y esté alejada de objetos con bordes cortantes.
2. Gire completamente la perilla de control de presión en sentido contrario al de las agujas del reloj hasta el ajuste de presión más bajo.
3. Gire hacia arriba la válvula PRIME/SPRAY a su posición SPRAY.
4. Gire la perilla de control de presión en sentido horario hasta el ajuste más alto. La manguera de pintura se endurecerá a medida que la pintura comience a fluir.
5. Libere el seguro del gatillo de la pistola.
6. Apriete el gatillo de la pistola rociadora para purgar el aire de la manguera.
7. Cuando la pintura llegue a la boquilla, rocíe un área de prueba para examinar el patrón de rociado.
8. Use el ajuste de presión más bajo necesario para obtener un buen patrón de rociado. Si el ajuste de presión está muy alto, el patrón de rociado será muy liviano. Si la presión es demasiado baja, aparecerán residuos o la pintura salpicará en exceso en lugar de salir como un rocío fino.



Limpieza



Instrucciones de limpieza especiales para usar con solventes inflamables:

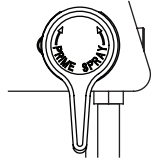
- Siempre lave la pistola rociadora preferiblemente afuera y alejada por lo menos un largo de manguera de la bomba rociadora.
- Si recoge los solventes lavados en un recipiente metálico de un galón, colóquelo en un recipiente vacío de cinco galones, luego lave los solventes.
- El área debe estar libre de vapores inflamables.
- Siga todas las instrucciones de limpieza.

IMPORTANTE: Deben limpiarse el rociador, la manguera y la pistola totalmente después del uso diario. De lo contrario, se permite la acumulación de material, afectando seriamente el rendimiento de la unidad.



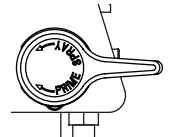
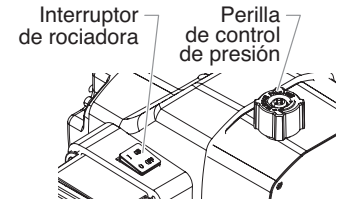
Siempre rocíe con la presión mínima y sin la boquilla de la pistola al utilizar alcoholes minerales u otros solventes para limpiar el rociador, la manguera o la pistola. La acumulación de electricidad estática puede producir un incendio o explosión en la presencia de vapores inflamables.

1. Siga el "Procedimiento de alivio de presión" de la sección Operación de este manual.
2. Retire la punta de la pistola y la protección y limpie con un cepillo usando el solvente adecuado.
3. Coloque el tubo del sifón en un recipiente con el solvente adecuado (consulte las recomendaciones del fabricante del material). Un ejemplo del solvente adecuado es el agua para la pintura látex.
4. Coloque la manguera de retorno en un recipiente metálico para desecho.
5. Mueva hacia abajo la válvula PRIME/SPRAY a su posición PRIME.



NOTA: Sujete el tubo de retorno en el contenedor de residuos al mover el PRIME / SPRAY válvula de PRIME en caso de que el pulverizador es presurizado.

6. Mueva el interruptor ON/OFF del motor a la posición ON y arránquelo.
7. Encienda la unidad moviendo el interruptor de ON/OFF a la posición ON.
8. Gire lentamente la perilla de control de presión en el sentido de las agujas del reloj para aumentar la presión hasta que empiece a salir líquido de la manguera de retorno.
9. Deje circular el solvente a través de la unidad y purgue la pintura de la manguera de retorno hacia el recipiente metálico para desecho.
10. Gire completamente la perilla de control de presión en sentido contrario al de las agujas del reloj hasta el ajuste de presión más bajo.
11. Apague la unidad moviendo el interruptor de ON/OFF a la posición OFF.
12. Mueva hacia arriba la válvula PRIME/SPRAY a su posición SPRAY.
13. Encienda la unidad.
14. Gire lentamente la perilla de control de presión en el sentido de las agujas del reloj para aumentar la presión.



Conecte a tierra la pistola apoyándola contra el borde del recipiente de metal mientras elimina el líquido. De lo contrario puede provocar la descarga de electricidad estática, lo cual a su vez puede ocasionar un incendio.



15. Dispare la pistola en el recipiente metálico para desecho hasta que se haya purgado toda la pintura de la manguera y esté saliendo solvente de la pistola.
16. Continúe apretando el gatillo de la pistola rociadora en el recipiente de desecho hasta que el solvente que salga por la pistola esté sin pintura.

NOTA: Para el almacenamiento a largo plazo o en temperaturas frías, haga pasar alcoholes minerales a través del sistema completo.

17. Siga el "Procedimiento de alivio de presión" de la sección Operación de este manual.
18. Desenchufe la unidad y almacénela en un área limpia y seca.

IMPORTANTE: No almacene la unidad bajo presión.

Limpieza de la punta de pulverización

1. Limpie la pistola con solvente inmediatamente después de terminar el trabajo.
2. Aceite los pasadores deslizantes para evitar que se agarren.

En caso de que la punta de pulverización se obstruya, inviertala con la palanca y apriete el gatillo. Luego que la obstrucción salga de la punta de pulverización, suelte el gatillo, inviertala de vuelta al ajuste de patrón de pulverización y continúe pulverizando.



No intente limpiar la punta con sus dedos.

No utilice una aguja u otro artículo con punta afilada para limpiar la punta de pulverización. El carburo de tungsteno duro es quebradizo y se puede despartillar.

Mantenimiento



Antes de proceder, siga el Procedimiento de alivio de presión presentado anteriormente en este manual. Además, siga todas las otras advertencias para reducir el riesgo de una lesión por inyección, lesiones por piezas en movimiento o choque eléctrico.

NOTA: Un centro de servicio técnico autorizado de Robin-Subaru debe realizar todos los trabajos en motores Robin-Subaru.

Notas generales de reparación y servicio

Se necesitan las herramientas siguientes para reparar el rociador:

Destornillador Phillips	Llave hexagonal de 3/8 de pulgada
Alicates de punta	Llave hexagonal de 5/16 de pulgada
Llave ajustable	Llave hexagonal de 1/4 de pulgada
Mazo de goma	Llave hexagonal de 3/16 de pulgada
Destornillador de paleta	Llave hexagonal de 1/8 de pulgada
Llave española de 1/2"	Llave española de 7/8"

1. Antes de reparar alguna parte del rociador, lea minuciosamente las instrucciones, incluidas todas las advertencias.

IMPORTANTE: Nunca tire del cable para desconectarlo. Al hacerlo podría soltarse el conector del cable.

2. Pruebe su reparación antes de usar rociador normalmente para verificar que se haya resuelto el problema. Si el rociador no funciona bien, revise el procedimiento de reparación para determinar si todo se ha realizado en forma correcta. Consulte los cuadros de Solución de problemas para ayudar a identificar otros problemas posibles.
3. Compruebe que el área de servicio esté bien ventilada en caso de que se estén utilizando solventes durante la limpieza. Al hacer el mantenimiento siempre use gafas de protección. Puede que se necesite equipo protector adicional dependiendo del tipo de solvente de limpieza. Siempre pida recomendaciones al proveedor de solventes.
4. Si tiene otras preguntas referentes al rociador TITAN, llame a TITAN:

Servicio al cliente (EE.UU.)..... **1-800-526-5362**
Fax **1-800-528-4826**

Mantenimiento del motor



Cuando transporte un pulverizador con motor de gasolina, asegúrese de que esté cortado el paso de combustible.

NOTA: Para conocer las especificaciones y el mantenimiento del motor, consulte el manual del motor por separado que se proporciona con este pulverizador.

Características importantes de este pulverizador

Este pulverizador impulsado por gasolina cuenta con un embrague que se engancha cuando el pulverizador bombea. El sistema de control de presión del pulverizador engancha y desengancha el embrague para controlar la presión. Para evitar un desgaste innecesario del embrague, se aconseja ajustar la velocidad y la presión del motor para que se restrinja la cantidad de veces que el embrague se engancha y desengancha. Con el fin de reducir el desgaste del embrague, consulte los siguientes ejemplos.

Ejemplo:

Trabajo con una pistola con una punta de 0.019: Reduzca la velocidad del motor ajustando la palanca de aceleración en un ajuste bajo o medio y aumente la presión solamente hasta que se hayan eliminado los extremos gruesos del patrón de pulverización.

Ejemplo:

Trabajo con una pistola con una punta de 0.029: Aumente la velocidad del motor a un ajuste mayor y aumente la presión hasta que se hayan eliminado los extremos gruesos del patrón de pulverización.

Ejemplo:

Pulverización de materiales de baja densidad a baja presión: Para reducir la sobrecarga en la pistola y para disminuir el desgaste del embrague, reduzca la velocidad del motor hasta dejarlo inactivo y reduzca la presión hasta lograr el patrón de pulverización que desee.

Mantenimiento de rutina del motor

Diariamente

- Revise y llene el tanque de gasolina.
- Después de las primeras 20 horas de funcionamiento, drene el aceite y vuelva a llenar con aceite limpio. Revise el nivel de aceite del motor y llene según sea necesario.

Semanalmente

- Retire la cubierta del filtro de aire y limpie el elemento. Reemplace el elemento si fuese necesario. Si opera la unidad en un entorno inusualmente sucio, revise el filtro diariamente y reemplácelo si fuese necesario. (Puede adquirir los repuestos por medio de su distribuidor local de Titan).
- Después de cada 50 horas de funcionamiento: cambie el aceite del motor.

Bujía de encendido

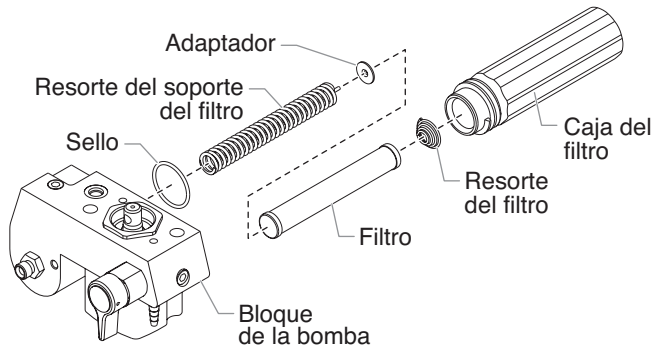
- Utilice solamente una bujía (NGK) BR6HS o Champion RL86C.
- Separe los electrodos de la bujía de 0.020" a 0.030"
- Asegúrese de utilizar una llave para la bujía de encendido cuando la instale o retire.

Limpeza o reemplazo de filtros

Filtro de la bomba

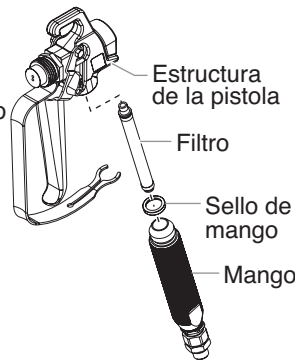
1. Suelte y retire la caja del filtro.
2. Quite el filtro del resorte del soporte del filtro.
3. Inspeccione el filtro. Según sea la inspección, limpie o reemplace el filtro.
4. Inspeccione el sello. Según sea la inspección, limpie o reemplace el sello.
5. Deslice el nuevo filtro o limpiar el filtro de apoyo durante la primavera con el adaptador en su lugar. Empuje el filtro en el centro del bloque de la bomba.
6. Deslice la caja del filtro sobre el filtro y atornillela en el bloque de la bomba hasta que quede firme.

NOTA: El filtro debe ser más estricto a mano, pero asegúrese de que el caje del filtro es de asientos plenamente en el bloque de la bomba.



Filtro de la pistola

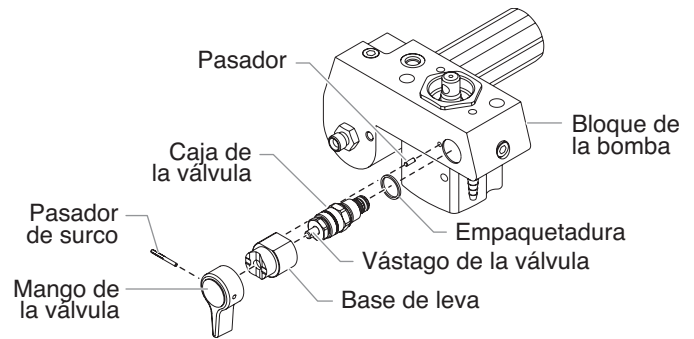
1. Tire la parte inferior del guardamonte hacia delante para que se suelte del conjunto del mango.
2. Suelte y retire el conjunto del mango de la cabeza de la pistola.
3. Tire el filtro antiguo fuera de la cabeza de la pistola.
4. Deslice el nuevo filtro en el cabezal de la pistola (primero el extremo cónico).
5. Asegúrese de que el sello del mango esté en posición y enrosque el conjunto del mango en la cabeza de la pistola hasta que esté fijo.
6. Fije el guardamonte de vuelta al conjunto del mango.



Reemplazo de la válvula de PRIME/SPRAY

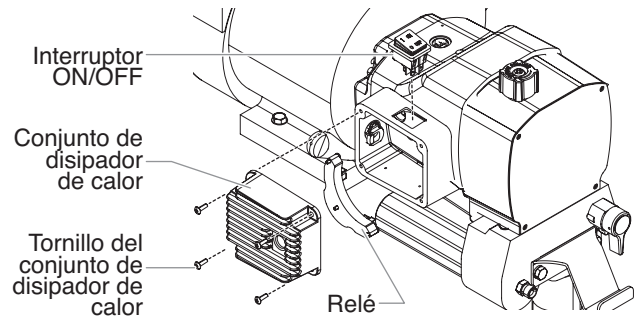
Usando el juego de reemplazo de la válvula PRIME/SPRAY N/P 0507980 realice el procedimiento a continuación.

1. Empuje el pasador de surco fuera del mango de la válvula.
2. Retire el mango de la válvula y la base de leva.
3. Con una llave, suelte y retire la caja de la válvula.
4. Fíjese que la empaquetadura esté en su sitio y atornille la caja de la válvula nueva en el bloque de la bomba. Apriete firmemente con la llave.
5. Coloque la base de leva sobre el ensamblaje de la caja de la válvula. Lubrique la base de leva con grasa y alinee la leva con el bloque de la bomba.
6. Alinee el agujero del vástago de la válvula con el agujero del mango de la válvula.
7. Inserte el pasador de surco en el mango de la válvula y a través del vástago de la válvula para asegurar el mango de la misma en posición.



Reemplazo del interruptor ON/OFF del pulverizador

1. Realice el procedimiento de liberación de presión.
2. Use un destornillador Phillips para retirar los cuatro tornillos que fijan el conjunto de disipador de calor a la carcasa. Retire cuidadosamente el conjunto de disipador de calor de la carcasa. Mueva cuidadosamente el conjunto lejos del pulverizador y deje que cuelgue de la carcasa.
3. Ubique la parte inferior del interruptor ON/OFF del pulverizador dentro de la carcasa.



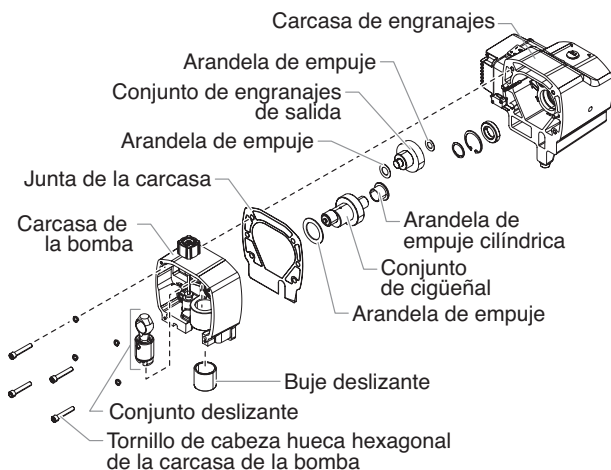
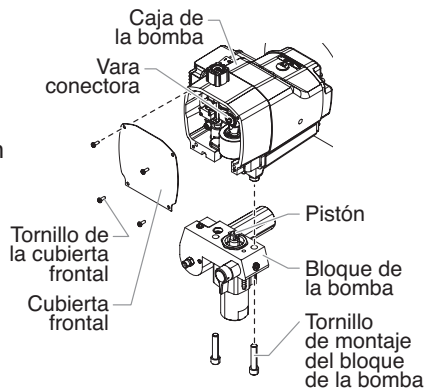
4. Desconecte los cables del interruptor desde el interruptor ON/OFF del pulverizador. Recuerde las ubicaciones de ambos cables (etiquételos si fuese necesario).
5. Presione las lengüetas de montaje en cada esquina del interruptor ON/OFF del pulverizador dentro de la carcasa y retire el interruptor a través de la parte superior de la carcasa.
6. Fije el nuevo interruptor ON/OFF del pulverizador en el orificio del interruptor en la carcasa.
7. Conecte ambos cables del interruptor en el nuevo interruptor ON/OFF del pulverizador. Asegúrese de que los cables estén conectados en las terminales correspondientes de donde se sacaron (consulte las etiquetas que hizo al principio del procedimiento o el esquema eléctrico en la sección Lista de piezas de este manual).
8. Coloque cuidadosamente el conjunto de disipador de calor sobre la carcasa teniendo cuidado de no apretar ningún cable.
9. Instale los cuatro tornillos que fijan el conjunto de disipador de calor a la carcasa. Apriete firmemente.

Reemplazo de los engranajes o del conjunto deslizando

1. Use un destornillador Phillips para retirar los cuatros tornillos de la cubierta delantera. Retire la cubierta delantera.
2. Arranque el motor (consulte los procedimientos de la sección Operación de este manual). Gire la perilla de control de presión en el sentido de las agujas del reloj hasta el ajuste de presión máximo.
3. Active el interruptor ON/OFF del pulverizador entre las posiciones ON y OFF en descargas cortas hasta que el conjunto deslizando y el pistón se detengan en la parte inferior de su recorrido (en su posición más baja).
4. Apague el motor y realice el procedimiento de liberación de presión.

NOTA: Si reemplaza el conjunto deslizando, la sección de líquido se debe retirar de la carcasa de la bomba.

5. Use una llave hexagonal de 3/8" para retirar ambos tornillos de cabeza hueca hexagonal que fijan la sección de líquido a la carcasa de la bomba.
6. Baje la carcasa de la sección de líquido a aproximadamente 1/2" desde la carcasa de la caja de engranajes para despejar el transductor.
7. Deslice la carcasa de la sección de líquido y la biela del pistón hacia adelante hasta que ésta última salga de la ranura en T del conjunto deslizando.
8. Use una llave hexagonal de 1/4" para retirar los cuatro tornillos de cabeza hueca hexagonal que fijan la carcasa de la bomba a la carcasa de engranajes.



9. Deslice la carcasa de la bomba lejos de la carcasa de engranajes.
10. Retire y limpie la junta de la carcasa. Reemplácela si tiene daños.
11. Deslice el conjunto de cigüeñal, con ambas arandelas de empuje, hacia fuera del lado de la carcasa de engranajes de la carcasa de la bomba.
12. Retire el conjunto de engranajes de salida con ambas arandelas de empuje.
13. Limpie completamente el conjunto de cigüeñal, el conjunto de engranajes de salida y todas las arandelas de empuje.

14. Revise todas las piezas para detectar si hubo desgaste y reemplácelas si están dañadas o desgastadas. Si reemplaza el conjunto de cigüeñal o de engranajes de salida, también reemplace las arandelas de empuje correspondientes.
15. Revise los engranajes del piñón en el extremo del eje de transmisión para detectar si están desgastados. Reemplácelos si están dañados o desgastados (consulte el procedimiento "Mantenimiento del conjunto de embrague" en esta sección).

NOTA: Si cualquiera de los engranajes está desgastado y necesita reemplazarlo, revise si la grasa en la carcasa de engranajes contiene partículas o virutas de metal. Retire la grasa contaminada y reemplace la grasa que se retiró con grasa nueva Lubriplate GR-132.

16. Deslice el conjunto deslizando hacia arriba y fuera del buje deslizando en la parte delantera de la carcasa de la bomba.
17. Revise el desgaste de las piezas.
 - a. Si el buje deslizando está mellado u ovalado, se debe reemplazar la carcasa de la bomba.
 - b. Si el conjunto deslizando está mellado o la conexión entre la biela de conexión y el conjunto deslizando muestra movimientos diferentes al movimiento de pivote, se debe reemplazar el conjunto deslizando. El conjunto deslizando también se debe reemplazar si el rodamiento de la biela de conexión muestra señales de desgaste.
 - c. Cualquier pieza que se vuelva a utilizar se debe limpiar completamente, lo que incluye la biela de conexión. También limpie el pasador del cigüeñal sobre el cual viaja el rodamiento de la biela de conexión.
18. Aplique grasa nueva Lubriplate GR-132 al conjunto de engranajes de salida y a cada lado de sus arandelas de empuje. Coloque las arandelas de empuje sobre los ejes correspondientes del conjunto de engranajes de salida.
19. Lubrique el conjunto de engranajes de salida con grasa nueva Lubriplate GR-132. Inserte el conjunto de engranajes en el perforado de la carcasa de engranajes, primero el extremo del engranaje. Los dientes en el engranaje coincidirán con los dientes en el piñón del eje de transmisión.
20. Aplique abundante grasa Lubriplate GR-132 en todas las superficies de la arandela de empuje del conjunto del cigüeñal cilíndrico.
21. Deslice el extremo plano de la arandela de empuje cilíndrica detrás del engranaje del conjunto de engranajes de salida, alineando su perforado con el perforado del rodamiento de la carcasa de engranajes del conjunto de cigüeñal.
22. Lubrique el engranaje del conjunto de cigüeñal con grasa nueva Lubriplate GR-132. Deslice el eje del lado del engranaje del cigüeñal por la arandela de empuje cilíndrica y hacia el perforado dentro de la carcasa de engranajes.
23. Coloque el pasador sobre el extremo del cigüeñal hacia la parte inferior de la carcasa de engranajes (la posición del punto muerto de la parte inferior).
24. Lubrique ambas superficies de la arandela de empuje grande del conjunto de cigüeñal con grasa nueva Lubriplate GR-132. Coloque la arandela de empuje en el cigüeñal contra el engranaje.
25. Coloque la junta de la carcasa sobre los pasadores de espiga de la carcasa de engranajes.
26. Lubrique el exterior del conjunto deslizando y el interior del buje deslizando con aceite. Llene la copa deslizando con grasa Lubriplate 1242 (la copa deslizando es el área del conjunto deslizando donde la biela de conexión y la corredera se unen y pivotan).
27. Inserte el conjunto deslizando en el buje deslizando.

28. Coloque cuidadosamente el conjunto de carcasa de la bomba delante del conjunto de carcasa de engranajes, alineando los pasadores de espiga de la carcasa de engranajes con sus orificios correspondientes en la carcasa de la bomba. Deslice la carcasa de la bomba sobre la carcasa de engranajes hasta que no haya espacio entre las carcasas y la junta.

NOTA: Mientras desliza la carcasa de la bomba en su lugar, el pasador del cigüeñal comenzará a sobresalir desde el rodamiento en el centro de la carcasa de la bomba. Coloque el conjunto deslizante de forma que se enganche con el rodamiento de la biela de conexión a medida que el pasador del cigüeñal sobresale desde el rodamiento principal.

IMPORTANTE: No fuerce la unión de la carcasa de la bomba y la carcasa de engranajes.

29. Ubique los cuatro tornillos de cabeza hueca hexagonal y las arandelas de seguridad que fijan la carcasa de la bomba a la carcasa de engranajes.
30. Use una llave hexagonal de 1/4" para ajustar y apretar los tornillos de cabeza hueca hexagonal de manera cruzada. Apriete de 200 a 230 pulg./lb.
31. Deslice la parte superior de la biela del pistón en la ranura en T en el conjunto deslizante.
32. Coloque el bloque de la bomba debajo de la carcasa de la caja de engranajes y presione hacia arriba hasta que se apoye contra la carcasa de la caja de herramientas.
33. Inserte los dos tornillos de cabeza hueca hexagonal que fijan la sección de líquido a la carcasa de la bomba y fije, apriete y aplique torsión a los tornillos de 400 a 440 pulg./lb.
34. Coloque la cubierta delantera sobre la carcasa de la bomba. Fije la cubierta delantera con los cuatro tornillos correspondientes.

Reemplazo del transductor

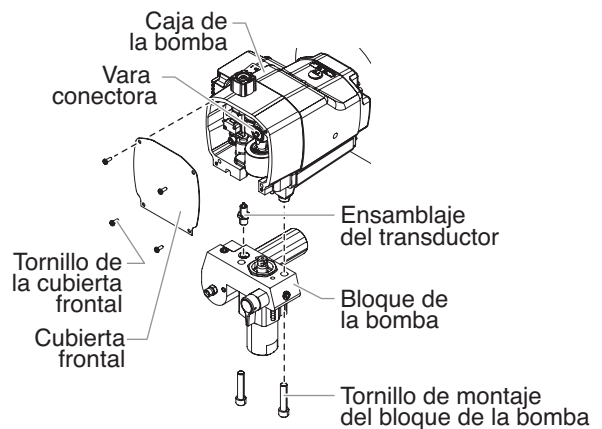
- Suelte y retire los cuatro tornillos de la cubierta frontal. Desmonte la cubierta delantera.
- Detenga el rociador en la parte de abajo de la carrera de tal modo que el pistón esté en su posición más baja.
- Siga el "Procedimiento de alivio de presión" y desenchufe la unidad.



Antes de proceder, siga el Procedimiento de alivio de presión presentado anteriormente en este manual. Además, siga todas las otras advertencias para reducir el riesgo de una lesión por inyección, lesiones por piezas en movimiento o choque eléctrico.

- Incline la bomba hacia atrás para ingresar más fácilmente a la sección de líquido.
- Usando una llave hexagonal de 3/8 de pulgada, suelte y retire los dos tornillos de montaje del bloque de la bomba.
- Baje el bloque de la bomba aproximadamente 1/2 pulgadas de la caja de la bomba para dejar paso al transductor.
- Deslice el bloque de la bomba y la vara del pistón hacia adelante hasta que la vara del pistón quede fuera de la ranura en T de la vara conectora.
- Utilizando una llave inglesa, quite el transductor montaje de la bloque de la bomba.
- Inserte de la nueva asamblea transductor en el bloque de la bomba. Apriete con una llave.
- Vuelva a ensamblar la bomba invirtiendo los pasos del 1 al 8.

IMPORTANTE: Asegúrese de que el transductor esté alineado adecuadamente con el orificio en la sección de líquido durante el reensamblaje. Una alineación incorrecta puede provocar daños en la junta tórica del transductor.

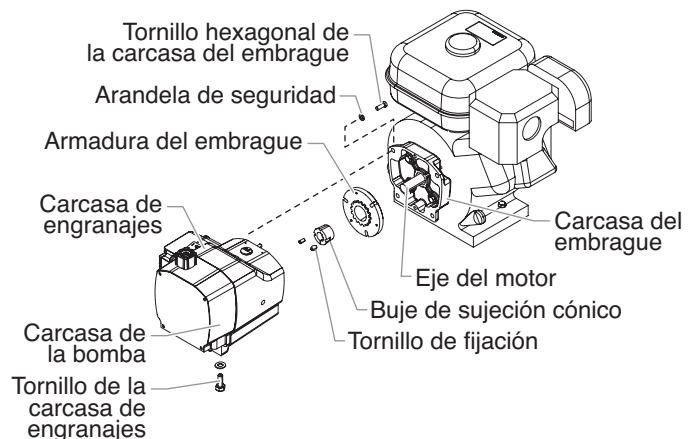


Mantenimiento del conjunto de embrague

NOTA: Cuando reemplace la armadura del embrague, también debe reemplazar el rotor del embrague. Esto permite que las piezas del embrague se desgasten uniformemente y tengan una mayor vida útil.

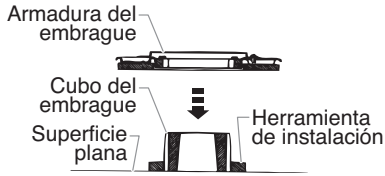
Retiro/reemplazo del conjunto de la armadura del embrague

- Realice el procedimiento de liberación de presión.
- Ubique el cable que sale de la parte posterior de la carcasa de control de presión y se conecta con el cableado del motor. Desconéctelo del conector en el cableado del motor.
- Use una llave de 12 puntos y 5/16" para retirar los cuatro tornillos y las arandelas de seguridad que fijan la carcasa del embrague a la carcasa de engranajes.
- Use un casquillo de 9/16" para retirar el tornillo que fija la carcasa de engranajes al carro.
- Deslice las carcasas de engranajes y de la bomba lejos del motor para desengancharlas de la carcasa del embrague.

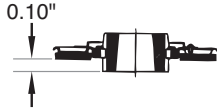


- Ubique el conjunto de armadura del embrague en el extremo del eje del motor. Observe los dos tornillos de fijación y el orificio enroscado sin usar que esté en el buje de sujeción cónico en el centro del cubo del embrague.
- Use una llave hexagonal de 1/8" para retirar los dos tornillos de fijación del buje de sujeción cónico.
- Enrosque uno de los tornillos de fijación en el orificio enroscado sin usar que están en el buje de sujeción cónico. A medida que se aprieta el tornillo, el buje se suelta. Luego de que éste se haya soltado lo suficiente, deslice el conjunto de la armadura del embrague fuera del eje del motor.

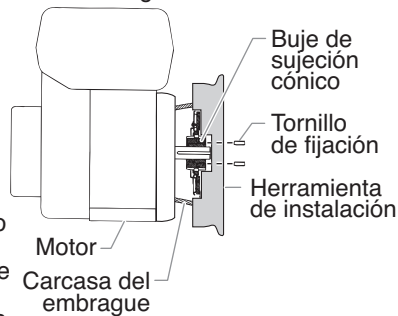
- Antes de reemplazar el conjunto de la armadura y el cubo del embrague, se debe crear un "retroceso" adecuado. Use la herramienta de instalación del cubo Titan (Nº/P 0555926) para crear un "retroceso" de 0.10" entre la superficie de fricción de la armadura del embrague y la superficie frontal del cubo del embrague.



NOTA: Un nuevo cubo del embrague y armadura del embrague se pre-ensamblados, por el "retroceso" pueden no ser correcta. El "retroceso" debe ser creado utilizando la herramienta de instalación.



- Para reemplazar el conjunto de la armadura del embrague, alinee los tres orificios en el buje de sujeción cónico con los tres orificios en la armadura del embrague e inserte el buje en el centro de la armadura del embrague.
- Alinee la chaveta del buje de sujeción cónico con la llave de paso en el eje del motor y deslice el conjunto sobre el eje con los orificios hacia fuera.
- Aplique Loctite azul en los dos tornillos de fijación e insértelos en el buje de sujeción cónico. Apriete los tornillos de fijación solamente dos giros a la vez.
- Use la herramienta de instalación del embrague (Nº/P 0555926) para colocar la armadura del embrague en el eje del motor. Sostenga la herramienta a lo largo de la superficie de la carcasa del embrague de forma que la parte central ranurada de la herramienta se coloque a ambos lados del conjunto de la armadura del embrague. Tire del conjunto de la armadura del embrague hacia la herramienta hasta que la superficie de éste quede contra la herramienta.
- Mientras sostiene el conjunto de la armadura del embrague contra la herramienta, use una llave hexagonal de 1/8" y apriete los tornillos de fijación de forma alternada en el buje de sujeción cónico. Apriete de 65 a 75 pulg./lb.
- Asegúrese de que la superficie de fricción de la armadura del embrague esté limpia y libre de aceite o grasa.

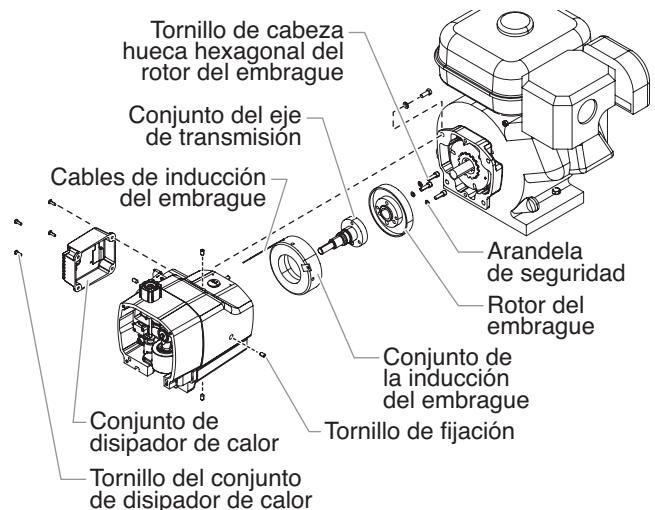


Retiro del rotor del embrague, la inducción del embrague y el conjunto del eje de transmisión

- Siga los pasos 1 a 7 en "Retiro/reemplazo del conjunto de la armadura del embrague".
- Ubique el conjunto del rotor del embrague, el que está dentro de la parte posterior de la carcasa de engranajes. Observe las ubicaciones de los tres tornillos de cabeza hueca hexagonal y los dos orificios enroscados y vacíos del rotor del embrague.
- Use una llave hexagonal de 3/16" para retirar los tres tornillos de cabeza hueca hexagonal las arandelas de seguridad que fijan el rotor del embrague a l conjunto del eje de transmisión.
- Rosque dos de los tornillos de cabeza hueca hexagonal en los orificios vacíos roscados y apriete de manera alternada. Esto empujará el rotor del embrague lejos del conjunto del eje de transmisión y el piñón.
- Use un destornillador Phillips para retirar los cuatro tornillos que fijan el conjunto de disipador de calor a la

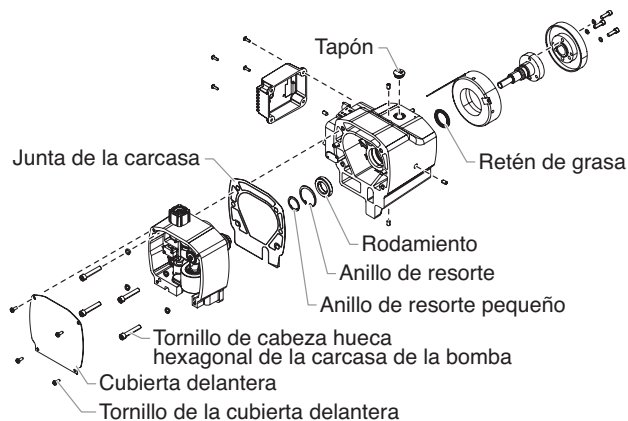
carcasa. Retire cuidadosamente el conjunto de disipador de calor de la carcasa.

- Ubique los dos cables de inducción que pasan desde la carcasa de engranajes hacia la carcasa de control a través de un orificio en la parte posterior de la carcasa de control. Recuerde los terminales de conexión de cables en el conjunto del relé (etiquételos si es necesario) y desconecte los cables. Mueva cuidadosamente el conjunto del disipador de calor lejos de la carcasa y déjelo en la superficie de trabajo, cerca de la carcasa de control.
- Ubique los cuatro pares de tornillos de fijación que fijan la inducción del embrague a la carcasa de engranajes. Estos se ubican en la parte exterior de la carcasa de engranajes, en las posiciones de las 12, 3, 6 y 9 en punto al mirar el extremo de la inducción del embrague de la carcasa de engranajes. Use una llave hexagonal de 1/8" para sacar los tornillos de fijación. Recuerde la ubicación de los dos cables de inducción del embrague con respecto al prensaestopas y la carcasa del control de presión electrónico.
- Deslice cuidadosamente el embrague fuera de la carcasa de engranajes, manteniendo la inducción perpendicular a la carcasa de engranajes, de modo que no se traben.



NOTA: Para sacar el conjunto del eje de transmisión, primero se debe sacar la carcasa de la bomba desde la carcasa de engranajes.

- Use un destornillador Phillips para retirar los cuatro tornillos de la cubierta delantera. Retire la cubierta delantera.
- Use una llave hexagonal de 1/4" para retirar los cuatro tornillos de cabeza hueca hexagonal que fijan la carcasa de la bomba a la carcasa del engranaje.
- Deslice la carcasa de la bomba lejos de la carcasa de engranajes.
- Retire y limpie la junta de la carcasa. Reemplácela si tiene daños.
- Ubique el piñón del eje de transmisión que sobresale de la parte frontal de la carcasa de engranajes. Retire el anillo de resorte pequeño que se ubica en el cubo del eje de transmisión al frente del rodamiento de bolas que sostiene al eje de transmisión.
- Desde el lado opuesto de la carcasa de engranajes (lado del embrague), deslice el conjunto del eje de transmisión fuera de la carcasa de engranajes.
- Inspeccione el retén de grasa ubicado dentro del perforado de donde se retiró el eje de transmisión. Reemplácelo si está gastado o dañado. Para retirar el retén de grasa, use un destornillador de cabeza plana para levantarlo desde el perforado.
- Limpie el interior de la carcasa de engranajes.



Instalación del conjunto del rotor del embrague y el conjunto de la inducción del embrague y del eje de transmisión

1. Si se retiró el retén de grasa del eje de transmisión, presione uno nuevo en el perforado desde donde se retiró el antiguo.
2. Desde el lado del embrague de la carcasa el engranaje, inserte el conjunto del eje de transmisión en el perforado, a través del retén de grasa y a través del rodamiento de bolas en el lado del engranaje de la carcasa de engranajes.
3. En el lado del engranaje de la carcasa de engranajes, inserte el anillo de resorte en la ranura del cubo del eje de transmisión al frente del rodamiento de bolas.
4. Coloque la junta de la carcasa sobre los pasadores de espiga de la carcasa de engranajes.
5. Coloque cuidadosamente el conjunto de carcasa de la bomba delante del conjunto de carcasa de engranajes, alineando los pasadores de espiga de la carcasa de engranajes con sus orificios correspondientes en la carcasa de la bomba. Deslice la carcasa de la bomba sobre la carcasa de engranajes hasta que no haya espacio entre las carcasas y la junta.

IMPORTANTE: No fuerce la unión de la carcasa de la bomba y la carcasa de engranajes.

6. Ubique los cuatro tornillos de cabeza hueca hexagonal y las arandelas de seguridad que fijan la carcasa de la bomba a la carcasa de engranajes.
7. Use una llave hexagonal de 1/4" para ajustar y apretar los tornillos de cabeza hueca hexagonal de manera cruzada. Apriete de 200 a 230 pulg./lb.
8. Alinee los cuatro orificios alrededor de la parte exterior de la inducción del embrague con los orificios de los cuatro tornillos de fijación en la carcasa de engranajes. Los cables de inducción deben estar aproximadamente en la posición de la 1 ó 2 en punto.
9. Encamine los dos cables de inducción del embrague a través del orificio hacia la carcasa de control.
10. Deslice cuidadosamente la inducción del embrague dentro de su perforado en la carcasa de engranajes hasta que "llegue al fondo" dentro de la carcasa. No apriete los cables de inducción del embrague durante la instalación.
11. Rosque uno de los tornillos de fijación puntiagudos dentro del orificio. Use una llave hexagonal de 1/8" para rotar el tornillo lentamente hasta que haga contacto con la inducción del embrague. No apriete el tornillo de fijación. La punta del tornillo de fijación debe coincidir con el orificio del punto del taladro en la inducción. Revise que la inducción del embrague pueda girar. Si gira dentro de su perforado, el tornillo de fijación no está asentado dentro del punto del taladro.
12. Cuando el tornillo de fijación esté asentado correctamente, instale los otros tres tornillos de fijación puntiagudos. No apriete los tornillos de fijación.
13. Apriete de manera cruzada cada uno de los tornillos de fijación puntiagudos hasta que estén ajustados. Una vez que todos los tornillos de fijación puntiagudos estén fijos, apriete de manera cruzada y aplique torsión a los tornillos de fijación de 70 a 80 pulg./lb.

IMPORTANTE: Es muy importante fijar, apretar y aplicar torsión de manera uniforme a los tornillos de fijación puntiagudos de la inducción del embrague de una manera cruzada. Esto garantiza que la inducción del embrague permanecerá centrada en la carcasa de engranajes.

15. Alinee los tres orificios de tornillo y el orificio del pasador de espiga del rotor del embrague con los orificios de los tornillos y el pasador de espiga en el cubo del conjunto del eje de transmisión. Coloque el rotor del embrague en el cubo.
16. Use una llave hexagonal de 3/16" para roscar los tres tornillos de cabeza hueca hexagonal y las arandelas de seguridad a través del rotor del embrague hasta el cubo del conjunto del eje de transmisión. Fije, apriete y aplique torsión uniformemente a los tornillos de cabeza hueca hexagonal de 75 a 85 pulg./lb.
17. Asegúrese de que la superficie de fricción del rotor del embrague esté limpia y libre de aceite o grasa.
18. Ubique los dos cables de inducción del embrague en la carcasa de control. Tire suavemente de los cables dentro de la carcasa del control de presión electrónico, de modo que no quede flojedad en la carcasa de engranajes. Conecte los cables con sus terminales correspondientes en el relé (consulte las etiquetas que hizo al principio del procedimiento o el esquema eléctrico en la sección Lista de piezas de este manual).
19. Coloque cuidadosamente el conjunto de disipador de calor sobre la carcasa de control teniendo cuidado de no apretar ningún cable.
20. Instale los cuatro tornillos que fijan el conjunto de disipador de calor a la carcasa de control. Apriete firmemente.

Ajuste de la carcasa de engranajes y la carcasa del embrague

1. Coloque el conjunto de carcasa de engranajes en el carro frente a la carcasa del embrague. Alinee los pasadores de espiga en la carcasa de engranajes con sus orificios correspondientes en la carcasa del embrague. Deslice el conjunto de carcasa de engranajes sobre la carcasa del embrague hasta que no haya espacio entre las carcasas.
2. Rosque los cuatro tornillos hexagonales y las arandelas de seguridad a través de la carcasa del embrague y hacia la carcasa de engranajes.
3. Use una llave de 12 puntos y 5/16" para ajustar y apretar los tornillos hexagonales de manera cruzada. Apriete de 140 a 155 pulg./lb.
4. Use un casquillo de 9/16" para roscar el tornillo hexagonal que fija la carcasa de engranajes al carro a través de la parte inferior del carro y dentro de la carcasa de engranajes. Apriete de 140 a 155 pulg./lb.
5. Conecte el cable de la carcasa del control de presión electrónico con su conector correspondiente en el cableado del motor.

Revisión del espacio del embrague

1. Retire el tapón plástico de la parte superior de la carcasa del embrague. Mire a través del orificio para ubicar la armadura del embrague y el rotor del embrague.
2. Revise el espacio entre la armadura del embrague y el rotor del embrague usando una plantilla de espesor de 0.016" y una plantilla de espesor de 0.035".
 - a. Inserte cada plantilla de espesor a través del orificio y dentro del espacio entre la armadura del embrague y el rotor del embrague. La plantilla de espesor de 0.016" debe ajustarse en el espacio. La plantilla de espesor de 0.035" no debe ajustarse en el espacio.
 - b. Tire del cordón del motor varias veces para girar la armadura del embrague, revisando el espacio con cada plantilla de espesor luego de cada vez que tira.
 - c. Si la plantilla de 0.016" no se ajusta, o la plantilla de 0.035" se ajusta en cualquier punto de control, el espacio se debe reajustar. Esto se hace volviendo a ubicar el conjunto del cubo y la armadura del embrague en el eje del motor. Consulte el procedimiento "Retiro/reemplazo del conjunto de la armadura del embrague".

Servicio a la sección de líquidos

Use los procedimientos siguientes para dar servicio a las válvulas y volver a poner empaquetaduras en la sección de líquidos.

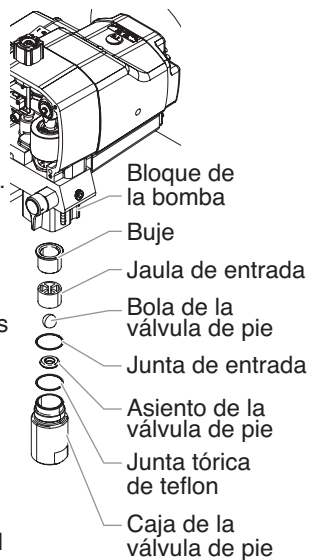
1. Suelte y retire los cuatro tornillos de la cubierta frontal. Desmonte la cubierta delantera.
2. Arranque el motor (consulte los procedimientos de la sección Operación de este manual). Gire la perilla de control de presión en el sentido de las agujas del reloj hasta el ajuste de presión máximo.
3. Active el interruptor ON/OFF del pulverizador entre las posiciones ON y OFF en descargas cortas hasta que el conjunto deslizante y la biela del pistón se detengan en la parte inferior de su recorrido (en su posición más baja).
4. Apague el motor y realice el procedimiento de liberación de presión.



Antes de proceder, siga el Procedimiento de alivio de presión presentado anteriormente en este manual. Además, siga todas las otras advertencias para reducir el riesgo de una lesión por inyección, lesiones por piezas en movimiento o choque eléctrico.

Servicio a las válvulas

El diseño de la sección de líquido de Titan permite el acceso a la válvula de pie y su asiento así como también a la válvula de salida y su asiento sin necesidad de desmontar completamente la sección de líquido. Es posible que las válvulas no se asienten correctamente debido a residuos atrapados en el asiento de la válvula de pie o en la válvula de salida. Use las instrucciones a continuación para limpiar las válvulas e invertir o reemplazar los asientos.



NOTA: Mantenga el pulverizador en posición vertical para este procedimiento.

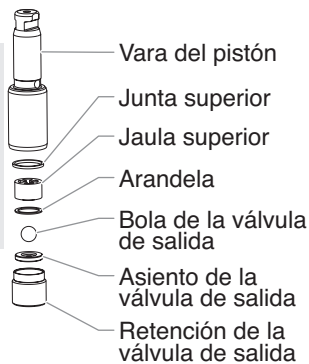
1. Con una llave, suelte y retire la caja de la válvula de pie del bloque de la bomba.
2. Limpie todo residuo de la caja de la válvula de pie y examine la caja y el asiento de la misma. Si el asiento está dañado, invértalo o reemplácelo.

NOTA: Si el asiento de la válvula de entrada se invirtió o reemplazó, se debe reemplazar la bola de la válvula de entrada.

3. Usando una llave hexagonal de 3/8 de pulgada, suelte y retire la caja de la válvula de salida desde la vara del pistón.

NOTA: Siempre dé servicio a la válvula de salida con la vara del pistón conectada a la bomba. Esto evitará que gire la vara del pistón durante el desmontaje de la válvula de salida.

4. Limpie los residuos y examine la caja de la válvula y el asiento. Si el asiento está dañado, invértalo o reemplácelo.



NOTA: Si el asiento de la válvula de salida se invirtió o reemplazó, se debe reemplazar la bola de la válvula de salida.

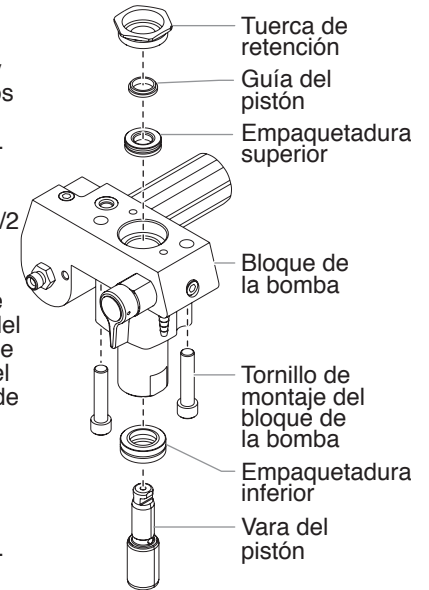
5. Retire, limpie e inspeccione la jaula de salida y la bola de la válvula de salida. Reemplácelas si están gastadas o dañadas.
6. Vuelva a montar las válvulas invirtiendo los pasos anteriores.

Reemplazo de empaquetaduras de la sección de líquidos

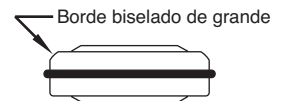
1. Quite el ensamblaje de la válvula de pie usando los pasos del procedimiento "Servicio de las válvulas" anterior

NOTA: La válvula de salida no tiene que ser desmontada del vástago para este procedimiento.

2. Usando una llave hexagonal de 3/8 de pulgada, suelte y retire los dos tornillos de montaje del bloque de la bomba.
3. Baje el bloque de la bomba aproximadamente 1/2 pulgadas de la caja de la bomba.
4. Deslice el bloque de la bomba y la vara del pistón hacia adelante hasta que la vara del pistón quede fuera de la ranura en T de la vara conectora.
5. Deslice la vara del pistón a través de la parte inferior del bloque de la bomba.
6. Suelte y quite la tuerca de retención y la guía del pistón del bloque de la bomba.
7. Retire las empaquetaduras superior e inferior del bloque de la bomba.
8. Limpie el bloque.
9. Ubique las nuevas empaquetaduras superior e inferior, y rellene las áreas entre los bordes de la empaquetadura con grasa. Lubrique con grasa las juntas tóricas en el exterior de las empaquetaduras.
10. Inspeccione la vara del pistón en busca de desgaste y cámbiela si es necesario.
11. Inserte la empaquetadura superior en la parte superior del bloque de la bomba con el labio elevado de la empaquetadura orientado hacia abajo.
12. Inserte la guía del pistón en la tuerca de retención. Rosque la tuerca de retención en el bloque de la bomba con la mano hasta que esté apretada.
13. Forme previamente la empaquetadura inferior usando la herramienta de calibración de la misma (incluida en el juego para volver a colocar la empaquetadura).
14. Inserte la empaquetadura inferior parcialmente en la parte inferior del bloque de la bomba, de modo que el lado que tiene la junta tórica más cerca a la superficie de la empaquetadura esté orientado hacia arriba.



Instale la empaquetadura superior con el reborde levantado puntando hacia abajo.



Instale la empaquetadura inferior con borde de grande biselado hacia arriba.

15. Empuje la empaquetadura inferior a la posición usando la herramienta de inserción de la empaquetadura inferior (consulte la lista de piezas de Conjunto de la sección

de líquido para conocer el N°/P de la herramienta de inserción de la empaquetadura inferior).

16. Inspeccione la vara del pistón en busca de desgaste y cámbiela si es necesario.

NOTA: Recubra la herramienta guía del pistón y la biela del pistón con grasa antes de insertarlas en el bloque de la bomba.

17. Coloque la herramienta de inserción del pistón (incluida en el juego para volver a colocar la empaquetadura) sobre la parte superior de la biela del pistón.
18. Inserte la biela del pistón en el fondo del bloque de la bomba a través de la empaquetadura inferior, pasando por la empaquetadura superior y finalmente por la tuerca de retención. Use un martillo de goma para golpear suavemente la parte inferior de la biela del pistón hasta que ésta se encuentre en posición en el bloque de la bomba.

NOTA: Cuando vuelva a colocar la empaquetadura de la sección de líquido, asegúrese de que el labio elevado de la parte inferior de la empaquetadura inferior esté completamente fuera de la empaquetadura alrededor de la biela del pistón después de la inserción de la biela del pistón.

19. Retire la herramienta de inserción del pistón de la parte superior de la biela del pistón.
20. Use una llave para apretar la tuerca de retención dentro del bloque de la bomba. Apriete de 300 a 360 pulg./lb.
21. Deslice la parte superior de la biela del pistón en la ranura en T en el conjunto deslizante.
22. Coloque el bloque de la bomba debajo de la carcasa de la caja de engranajes y presione hacia arriba hasta que se apoye contra la carcasa de la caja de herramientas.

IMPORTANTE: Asegúrese de que el transductor esté alineado correctamente con el orificio en el bloque de la bomba durante el reensamblaje. Una alineación incorrecta puede provocar daños en la junta del transductor.

23. Rosque los tornillos de montaje del bloque de la bomba a través de éste y dentro de la carcasa de la caja de engranajes. Apriete de 400 a 440 pulg./lb.
24. Vuelva a ensamblar el conjunto de la válvula de retención en el bloque de la bomba.

NOTA: Durante el reensamblaje, asegúrese de que la junta tórica entre el bloque de la bomba y la carcasa de la válvula de retención esté lubricada con grasa y en la posición correcta.

25. Rosque el tubo de sifón en la carcasa de la válvula de retención y apriete firmemente. Asegúrese de envolver las roscas del tubo de sifón con cinta de teflón antes de ensamblarlas. Vuelva a colocar la manguera de retorno en la abrazadera del tubo de sifón.
26. Rosque la manguera de retorno en el bloque de la bomba y apriete firmemente.
27. Coloque la cubierta delantera en la carcasa de la caja de engranajes y fíjela en la posición correcta usando los cuatro tornillos de la cubierta delantera.
28. Encienda el pulverizador siguiendo el procedimiento indicado en la sección "Operación" de este manual y revise en busca de fugas.

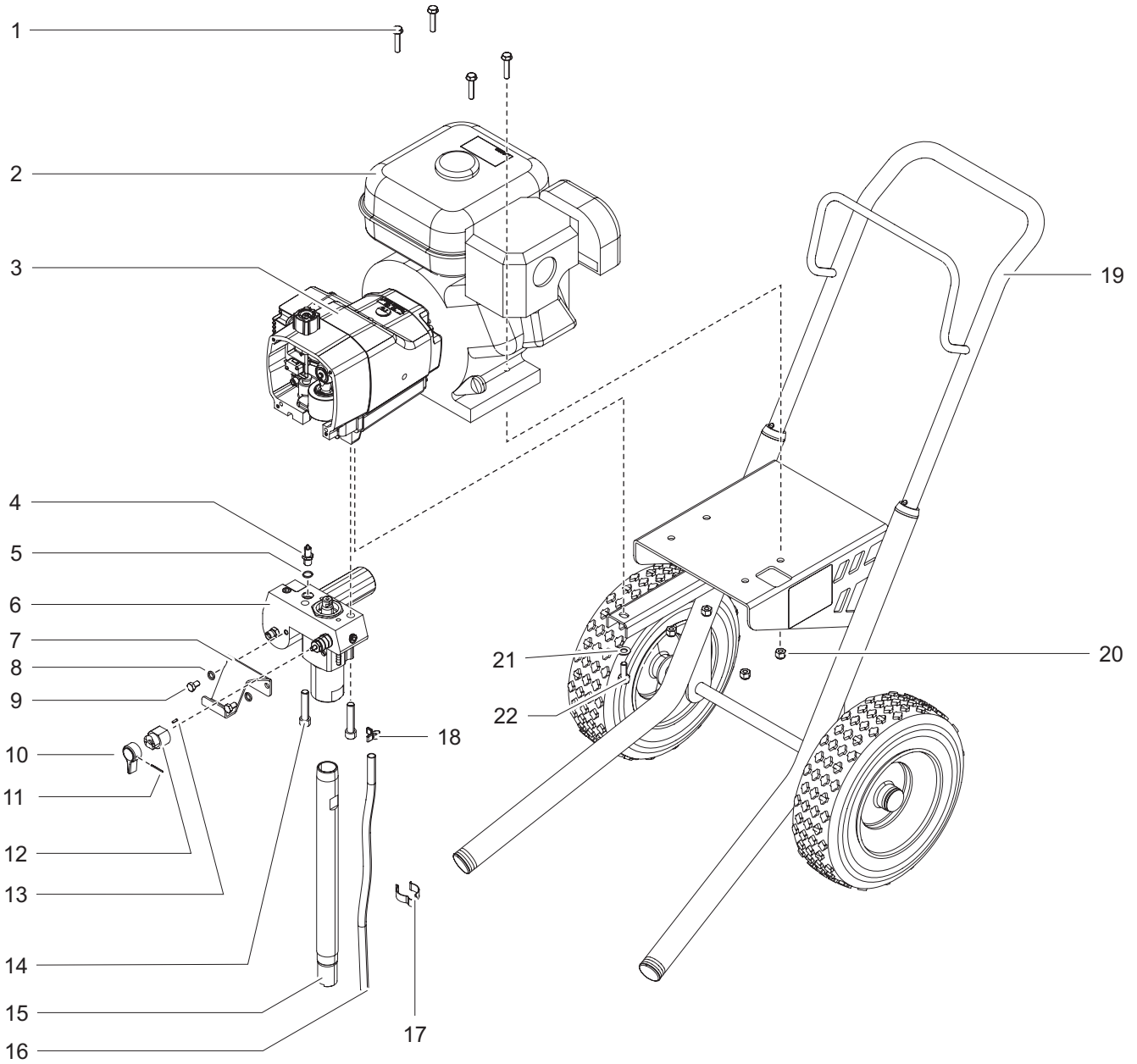
NOTA: El juego para volver a colocar la empaquetadura N°/P 0555960 se encuentra disponible. Para obtener mejores resultados, use todas las piezas que se proporcionan en este juego.

Solución de problemas

Problema	Causa	Solución
A. No funciona la unidad.	<ol style="list-style-type: none"> Ajuste de presión demasiado bajo. Conexiones defectuosas o sueltas. El tanque de gasolina está vacío. 	<ol style="list-style-type: none"> Gire la perilla de control de presión en la dirección de las agujas del reloj para suministrar energía a la unidad y aumentar el ajuste de presión. Inspeccione o lleve a un centro de servicio autorizado por Titan. Llene el tanque de gasolina.
B. No se ceba la unidad.	<ol style="list-style-type: none"> La válvula PRIME/SPRAY está en la posición SPRAY. Fuga de aire en el tubo de sifón/juego de succión. El filtro de bomba y/o la malla de entrada está obstruido. El tubo de sifón/juego de succión está obstruido. 	<ol style="list-style-type: none"> Gire la válvula PRIME/SPRAY en la dirección de las agujas del reloj hasta la posición PRIME. Compruebe la conexión del tubo de sifón/juego de succión y apriete o vuelva a asegurar la conexión con cinta Teflón. Quite el elemento del filtro de bomba y límpielo. Quite la malla de entrada y límpiela. Quite el tubo de sifón/juego de succión y límpielo.
C. La unidad no crea presión ni la mantiene.	<ol style="list-style-type: none"> La punta rociadora está desgastada. La punta rociadora es demasiado grande. La perilla de control de presión no está debidamente ajustada. El filtro de bomba, el filtro de la pistola o la malla de entrada están obstruidos. El material fluye desde la manguera de retorno cuando la válvula PRIME/SPRAY está en la posición SPRAY. Fuga de aire en el tubo de sifón/juego de succión. Existe una fuga de fluido externa. Existe una fuga en la sección de líquidos interna (las empaquetaduras están desgastadas o sucias, las bolas de las válvulas están desgastadas). Los asientos de las válvulas están desgastados. 	<ol style="list-style-type: none"> Quite la punta rociadora siguiendo las instrucciones suministradas con la pistola rociadora. Reemplace la punta rociadora por una punta que tenga un orificio más pequeño siguiendo las instrucciones suministradas con la pistola rociadora. Gire la perilla de control de presión en la dirección de las agujas del reloj para incrementar el ajuste de presión. Quite el elemento del filtro de bomba y límpielo. Quite el filtro de la pistola y límpielo. Quite la malla de entrada y límpiela. Limpie o reemplace la válvula PRIME/SPRAY. Compruebe la conexión del tubo de sifón/juego de succión y apriete o vuelva a asegurar la conexión con cinta Teflón. Compruebe todas las conexiones en busca de fugas externas. Apriete las conexiones, si fuese necesario. Limpie las válvulas y de servicio a la sección de líquidos siguiendo el procedimiento de "Servicio a la sección de líquidos" de la sección de Mantenimiento de este manual. Invierta o reemplace los asientos de las válvulas siguiendo el procedimiento de "Servicio a la sección de líquidos" de la sección de Mantenimiento de este manual.
D. Fuga de fluido en el extremo superior de la sección de líquidos.	<ol style="list-style-type: none"> Las empaquetaduras superiores están desgastadas. La vara del pistón está desgastada. 	<ol style="list-style-type: none"> Vuelva a poner las empaquetaduras siguiendo el procedimiento de "Servicio a la sección de líquidos" de la sección de Mantenimiento de este manual. Reemplace el vástago del pistón siguiendo el procedimiento de "Servicio a la sección de líquidos" de la sección de Mantenimiento de este manual.
E. Presión excesiva en la pistola del rociador.	<ol style="list-style-type: none"> El tipo de manguera rociadora sin aire es erróneo. La punta rociadora está desgastada o es demasiado grande. Presión excesiva. 	<ol style="list-style-type: none"> Reemplace la manguera por una manguera rociadora sin aire con trenzado textil conectada a tierra de 1/4" con un largo mínimo de 50 pies (15 metros). Reemplace la punta rociadora siguiendo las instrucciones suministradas con la pistola rociadora. Gire la perilla de control de presión en el sentido contrario a las agujas del reloj para reducir la presión de rociado.
F. Patrón de atomización deficiente.	<ol style="list-style-type: none"> La punta rociadora es demasiado grande para el material que se está utilizando. Ajuste de presión incorrecto. Paso de líquido insuficiente. El material que se está rociando es demasiado viscoso. 	<ol style="list-style-type: none"> Reemplace la punta rociadora con una punta rociadora nueva o más pequeña siguiendo las instrucciones suministradas con la pistola rociadora. Gire la perilla de control de presión para ajustar la presión para obtener un patrón de rociado adecuado. Limpie todas las mallas y filtros. Añada solvente al material de acuerdo con las recomendaciones del fabricante.
G. La unidad no tiene alimentación.	<ol style="list-style-type: none"> El ajuste de la presión es demasiado bajo. 	<ol style="list-style-type: none"> Gire la perilla de control de presión en el sentido de las agujas del reloj para aumentar el ajuste de presión.

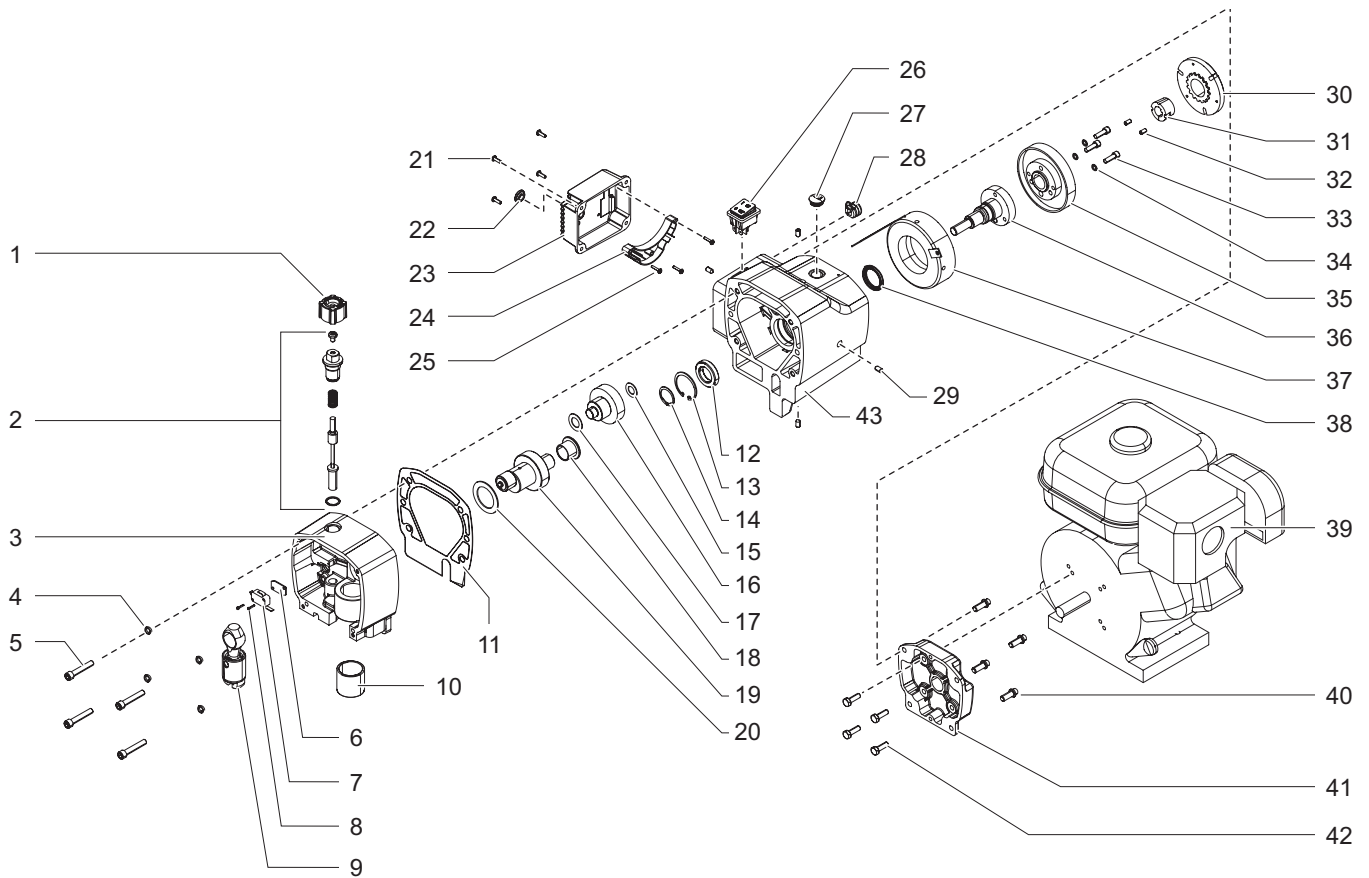
Parts List • Liste de pièces • Lista de piezas

Main Assembly • Assemblage principal • Conjunto principal



Item Article Artículo	Part No. N° de pièce Pieza No.	English Description	Français Description	Español Descripción	Quantity Quantite Cantidad
1	0509550	Hex screw	Clé hexagonale	Tornillo hexagonal	4
2	-----	Engine	Moteur	Motor	1
3	-----	Drive assembly	Assemblage d'entraînement	Conjunto de transmisión	1
4	0551112	Transducer assembly	Assemblage du transducteur	Junta del transductor	1
5	0509585	Transducer gasket	Joint statique du transducteur	Junta del transductor	1
6	0555904	Fluid section assembly	Assemblage du tronçon d'acheminement	Conjunto de la sección de líquido	1
7	0551443	Pail bracket	Support du contenant	Soporte del cubo	1
8	763-552	Washer	Rondelle	Arandela	2
9	710-033	Bolt	Boulon	Perno	2
10	0507662	PRIME/SPRAY knob	Bouton PRIME/SPRAY	Perilla PRIME/SPRAY	1
11	700-759	Groove pin	Goupille rigide cannelée	Pasador de ranura	1
12	700-251	Cam base	Came	Base de la leva	1
13	700-823	Dowel pin	Goupille de positionnement	Pasador de espiga	1
14	704-117	Fluid section bolt	Boulon du tronçon d'acheminement	Perno de la sección de líquido	2
15	0555219	Siphon tube	Tube-siphon	Tubo de sifón	1
16	0551556	Return tube	Tube de retour	Tubo de retorno	1
17	730-334	Clip	Attache	Sujetador	1
18	0327226	Return tube clip	Attache du tube de retour	Abrazadera del tubo de retorno	1
19	0555919	Cart assembly	Chariot	Conjunto del carro	1
20	763-549	Nut	Écrou	Tuerca	4
21	756-090	Washer	Rondelle	Arandela	1
22	862-436	Hex screw	Clé hexagonale	Tornillo hexagonal	1
	0555926	Front cover (not shown)	Couvercle avant (non montré)	Cubierta delantera (no se muestra)	1
	770-685	Front cover screws	Vis du couvercle avant	Tornillos de la cubierta delantera	4

Drive Assembly • Assemblage d'entraînement • Conjunto de transmisión



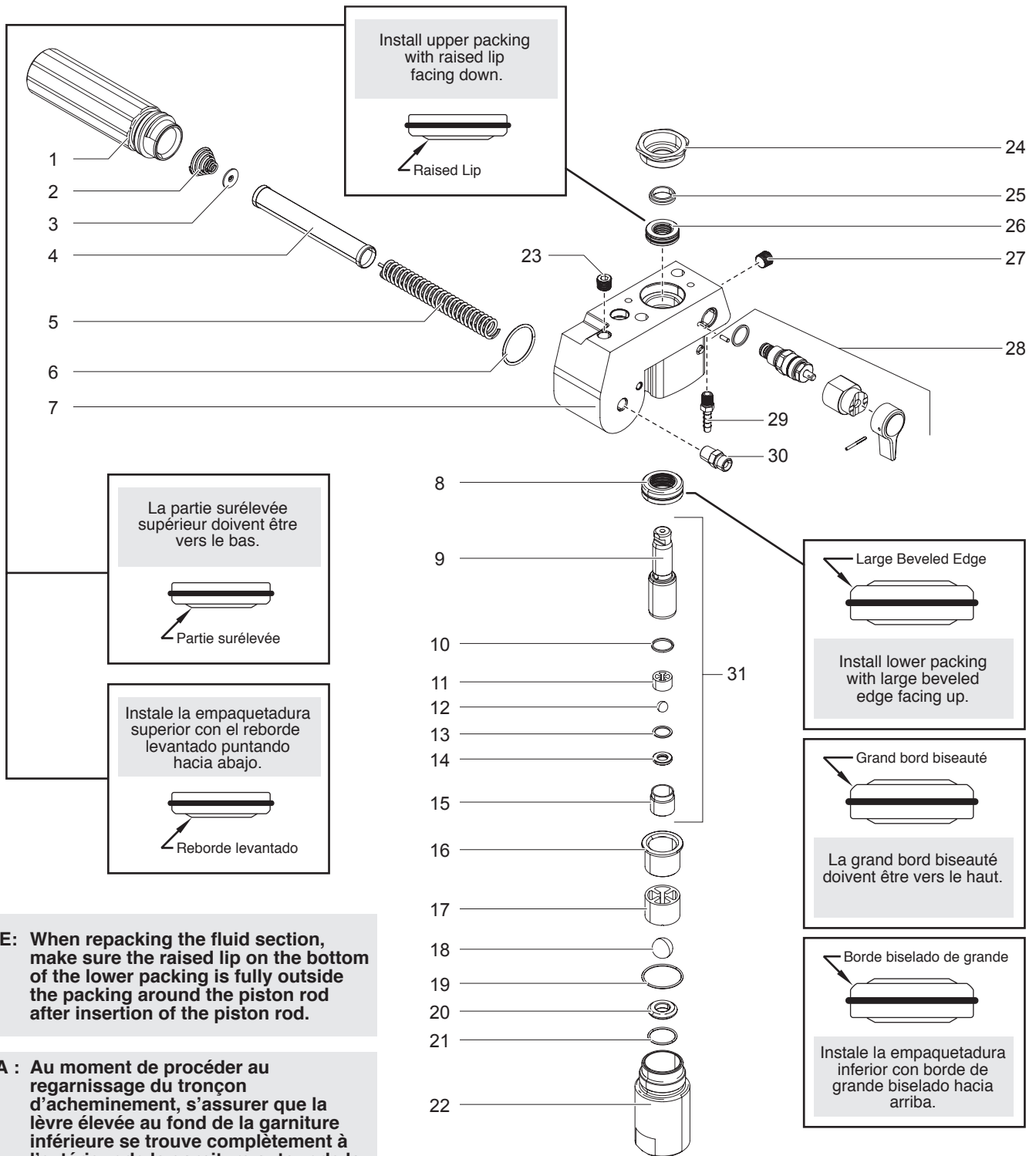
NOTE: All electrical work should be performed by a Titan authorized service center.

NOTA : Tous les travaux électriques doivent être effectués par un centre de service autorisé de Titan.

NOTA: Un centro de servicio técnico autorizado de Titan debe realizar todos los trabajos eléctricos.

Item Article Artículo	Part No. N° de pièce Pieza No.	English Description	Français Description	Español Descripción	Quantity Quantite Cantidad
1	700-771	Pressure control knob	Bouton de régulation de la pression	Perilla de control de presión	1
2	0555928	Pressure control assembly	Commande de la pression	Conjunto de control de presión	1
3	0555929	Pump housing assembly (includes item 11)	Corps de la pompe (inclut l'article 11)	Conjunto de la carcasa de la bomba (incluye el elemento 11)	1
4	0509541	Lock washer	Rondelle de blocage	Arandela de seguridad	4
5	0555264	Pump housing screw	Vis du corps de la pompe	Tornillo de la carcasa de la bomba	4
6	03662	Microswitch insulator	Isolateur de microcommutateur	Aislante del microinterruptor	1
7	0295490	Microswitch	Microcommutateur	Microinterruptor	2
8	9800604	Microswitch screw	Vis du microcommutateur	Tornillo del microinterruptor	2
9	704-301	Slider assembly	Coulisseau	Conjunto deslizante	1
10	700-689	Bushing	Manchon	Buje	1
11	0555294	Gear housing gasket	Joint statique du carter d'engrenage	Junta de la carcasa de engranajes	1
12	750-015	Bearing	Palier	Rodamiento	1
13	750-016	Snap ring	Circlip	Anillo de resorte	1
14	730-144	Small snap ring	Petit circlip	Anillo de resorte pequeño	1
15	700-688	Thrust washer	Rondelle de butée	Arandela de empuje	1
16	730-167	Output gear assembly	Engrenage de sortie	Conjunto de engranajes de salida	1
17	0509599	Thrust washer	Rondelle de butée	Arandela de empuje	1
18	730-088	Cylindrical thrust washer	Rondelle de butée cylindrique	Arandela de empuje cilíndrica	1
19	0555931	Crankshaft assembly	Vilebrequin	Conjunto de cigüeñal	1
20	700-680	Thrust washer	Rondelle de butée	Arandela de empuje	1
21	700-139	Heat sink cover screw	Vis du couvercle du dissipateur de chaleur	Tornillo de la cubierta de disipador de calor	4
22	704-281	Plug	Bouchon	Tapón	1
23	0551523	Heat sink cover plate (includes items 21 and 22)	Couvercle dissipateur de chaleur (inclut l'articles 21-22)	Placa de la cubierta de disipador de calor (incluye el elemento 21-22)	1
24	0295451	Relay	Relais	Relé	1
25	0551495	Relay screw	Vis du relais	Tornillo del relé	3
26	9850936	ON/OFF switch	Interrupteur MARCHÉ/ARRÊT	Interruptor ON/OFF	1
27	764-018	Plug	Bouchon	Tapón	1
28	0555603	Grommit	Passe-câble	Prensaestopas	1
29	763-525	Set screw	Vis pression	Tornillo de fijación	4
30	0555017	Clutch armature assembly	Armature de l'embrayage	Conjunto de la armadura del embrague	1
31	763-550	Taper lock bushing (includes item 32)	Manchon conique fendu (inclut l'article 32)	Buje de sujeción cónico (incluye el elemento 32)	1
32	763-566	Taper lock bushing screw	Vis du manchon conique fendu	Tornillo del buje de sujeción cónico	2
33	755-218	Clutch rotor socket screw	Vis à tête creuse du rotor de l'embrayage	Tornillo de cabeza hueca hexagonal del rotor del embrague	3
34	755-215	Lock washer	Rondelle de blocage	Arandela de seguridad	3
35	0555007	Clutch rotor assembly	Rotor de l'embrayage	Conjunto del rotor del embrague	1
36	755-201	Adapter sub assembly	Adaptateur du rotor d'embrayage	Subconjunto del adaptador	1
37	755-216	Clutch field assembly	Champ de l'embrayage	Conjunto de la inducción del embrague	1
38	730-172	Seal	Joint d'étanchéité	Sello	1
39	0555613	Engine	Moteur	Motor	1
40	0555186	12 point screw	Vis à 12 points	Tornillo de 12 puntos	4
41	0555288	Clutch housing	Carter d'embrayage	Carcasa del embrague	1
42	0509538	Screw	Vis	Tornillo	4
43	0555934	Gear housing assembly (includes items 12, 13 and 38)	Carter d'engrenage (inclut les articles 12, 13 et 38)	Conjunto de la carcasa de engranajes (incluye los elementos 12, 13 y 38)	

Fluid Section Assembly • Tronçon d'acheminement • Conjunto de la sección de líquido (P/N 0555149)



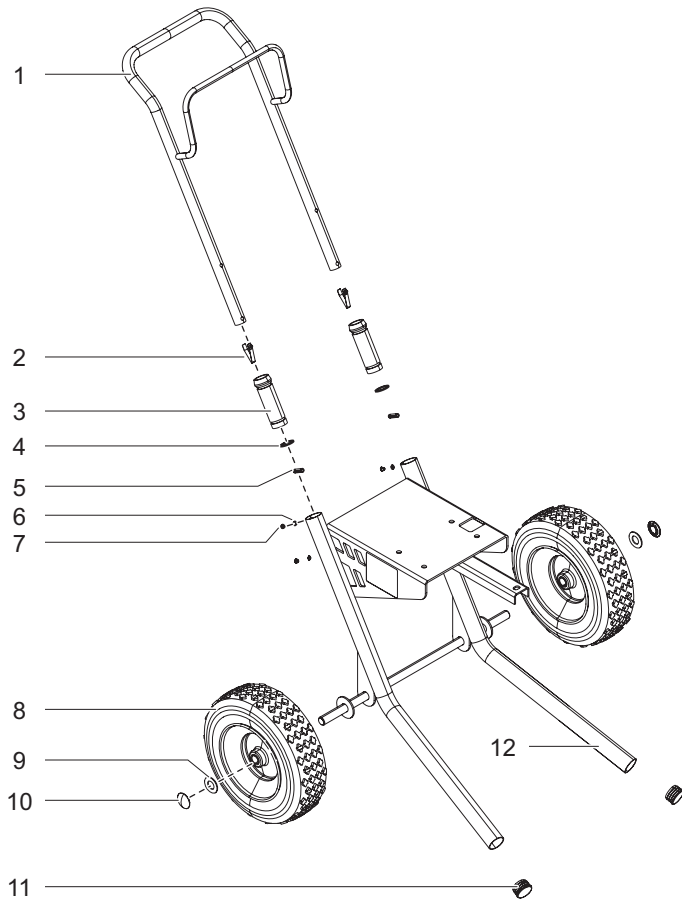
NOTE: When repacking the fluid section, make sure the raised lip on the bottom of the lower packing is fully outside the packing around the piston rod after insertion of the piston rod.

NOTA : Au moment de procéder au regarnissage du tronçon d'acheminement, s'assurer que la lèvre élevée au fond de la garniture inférieure se trouve complètement à l'extérieur de la garniture autour de la tige du piston après l'insertion de la tige du piston.

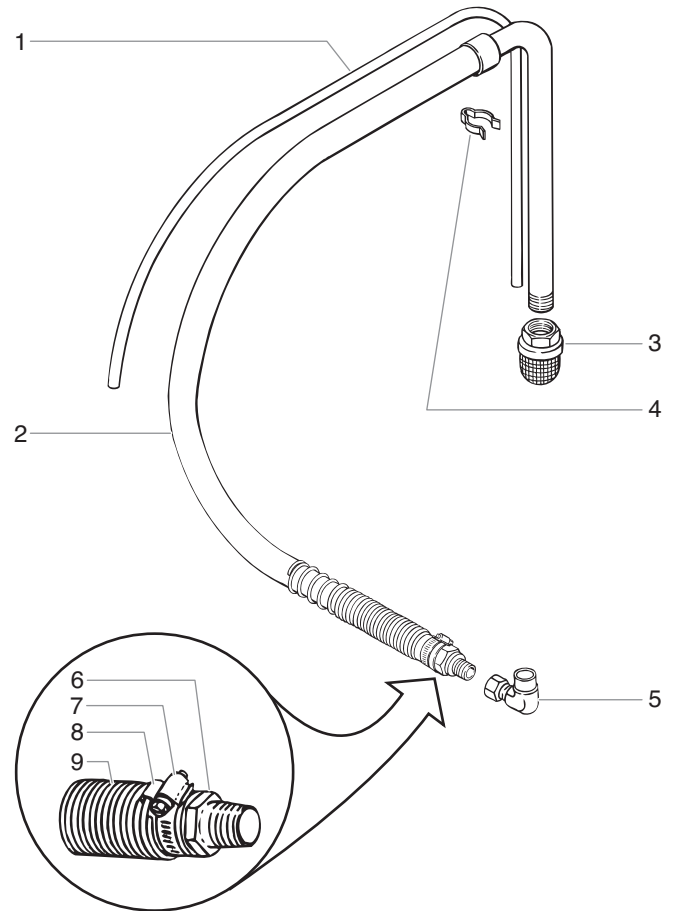
NOTA: Cuando vuelva a colocar la empaquetadura de la sección de líquido, asegúrese de que el labio elevado de la parte inferior de la empaquetadura inferior esté completamente fuera de la empaquetadura alrededor de la biela del pistón después de la inserción de la biela del pistón.

Item Article Artículo	Part No. N° de pièce Pieza No.	English Description	Français Description	Español Descripción	Quantity Quantite Cantidad
1	0508601	Filter housing	Boîtier du filtre	Carcasa del filtro	1
2	0508602	Filter spring	Ressort du filtre	Resorte del filtro	1
3	0508603	Adapter	Adaptateur	Adaptador	1
4	730-067	Filter	Filtre	Filtro	1
5	757-105	Spring	Ressort	Resorte	1
6	704-297	Seal	Joint d'étanchéité	Sello	1
7	0551681	Fluid section housing	Logement du tronçon d'acheminement	Carcasa de la sección de líquido	1
8	0507274	Lower packing	Garniture d'étanchéité inférieure	Empaquetadura inferior	1
9	800-452	Piston rod	Tige de piston	Biela del pistón	1
10	800-348	Outlet valve seal	Joint d'étanchéité de la soupape de refoulement	Sello de la válvula de salida	1
11	800-441	Outlet cage	Cage de refoulement	Jaula de salida	1
12	9841502	Outlet ball	Bille de la soupape de refoulement	Bola de salida	1
13	0507454	Nylon washer	Rondelle de nylon	Arandela de nylon	1
14	0294516	Outlet valve seat	Siege de la soupape de refoulement	Asiento de la válvula de salida	1
15	800-336	Outlet valve retainer	Organe de retenu de la soupape de refoulement	Retén de la válvula de salida	1
16	0555002	Bushing	Manchon	Buje	1
17	800-442	Inlet cage	Cage d'admission	Jaula de entrada	1
18	51519	Inlet cage ball	Bille de la cage d'admission	Bola de la jaula de entrada	1
19	762-103	Teflon O-ring	Joints toriques de Teflon	Junta tórica de teflón	1
20	00310	Seat	Siège	Asiento	1
21	762-058	Teflon O-ring	Joints toriques de Teflon	Junta tórica de teflón	1
22	0555003	Foot valve housing	Logement du clapet de pied	Carcasa de la válvula de retención	1
23	227-028	Plug	Bouchon	Tapón	1
24	705-104	Retaining nut	Écrou de retenue	Tuerca de retención	1
25	705-105	Upper piston guide	Guidage du piston supérieur	Guía del pistón superior	1
26	0507273	Upper packing	Garniture d'étanchéité supérieure	Empaquetadura superior	1
27	227-028	Plug	Bouchon	Tapón	1
28	0507690	PRIME/SPRAY valve assembly	Soupape PRIME/SPRAY	Conjunto de la válvula PRIME/ SPRAY	1
29	193-200	Return tube fitting	Raccord du tube de retour	Conexión del tubo de retorno	1
30	227-006	Outlet fitting	Raccord de sortie	Conexión de salida	1
31	705-120	Piston assembly (includes items 9-15)	Piston (inclut les articles 9 à 15)	Conjunto del pistón (incluye los elementos 9 a 15)	1
	0551511	Lower packing insertion tool (not shown)	Outil d'insertion de garniture d'étanchéité inférieure (non affiché)	Herramienta de inserción de la empaquetadura inferior (no se muestra)	1
	0555960	Repacking kit (includes items 8, 10, 12, 13, 16, 18-19, 21, 25 and 26)	Trousse de garnitures (inclut les articles 8, 10, 12, 13, 16, 18-19, 21, 25 et 26)	Juego de empaquetaduras (incluye el elementos 8, 10, 12, 13, 16, 18-19, 21, 25 y 26)	

**Cart Assembly • Ensemble de chariot •
Ensamblaje de carro**



**5 Gallon Siphon Set (optional) • Ensemble de
siphon de 5 gallons (facultatif) • Conjunto de
sifón de 5 galones (opcional)**



Cart Assembly • Ensemble de chariot • Ensamblaje de carro (P/N 0555270)

Item Article Artículo	Part No. N° de pièce Pieza No.	English Description	Français Description	Español Descripción	Quantity Quantite Cantidad
1	0555940	Handle assembly	Poignée	Conjunto del mango	1
2	9841504	Snap button	Bouton--pressiono	Botón de resorte	1
3	590-504	Handle sleeve	Manchon d'accouplement de la poignée	Manguito de la manilla	1
4	590-506	Handle washer	Rondelle de la poignée	Arandela de la manilla	1
5	590-508	Roll pin	Goupille cylindrique	Pivote de rodillo	1
6	856-002	Lock washer	Rondelle de blocage	Arandela de seguridad	4
7	856-921	Screw	Vis	Tornillo	4
8	600-185	Wheel	Roue	Rueda	4
9	0295687	Wheel spacer	Entretoise de roue	Separador de ruedas	2
10	800-019	Cap	Capuchon	Tapa	2
11	9885571	Plug	Bouchon	Tapón	2
12	0555946	Frame assembly	Ensemble de chariot	Ensamblaje de carro	1

5 Gallon Siphon Set (optional) • Ensemble de siphon de 5 gallons (facultatif) • Conjunto de sifón de 5 galones (opcional)

Item Article Artículo	Part No. N° de pièce Pieza No.	English Description	Français Description	Español Descripción	Quantity Quantite Cantidad
1	0507964	Return hose	Tuyau de refoulement	Manguera de retorno	1
2	0509185	Siphon hose	Tube-siphon	Manguera de sifón	1
3	5006536	Inlet screen	Écran d'entrée	Rejilla de entrada	1
4	0507783	Clamp	Attache	Abrazadera	1
5	0509727	Swivel elbow	Coude pivotant	Codo giratorio	1
6	0509760	Adapter	Adaptateur	Adaptador	1
7	0509761	Hose clamp	Bride de serrage	Abrazadera de la manguera	1
8	0509788	Clip	Attache	Sujetador	1
9	0509789	Spring	Ressort	Resorte	1

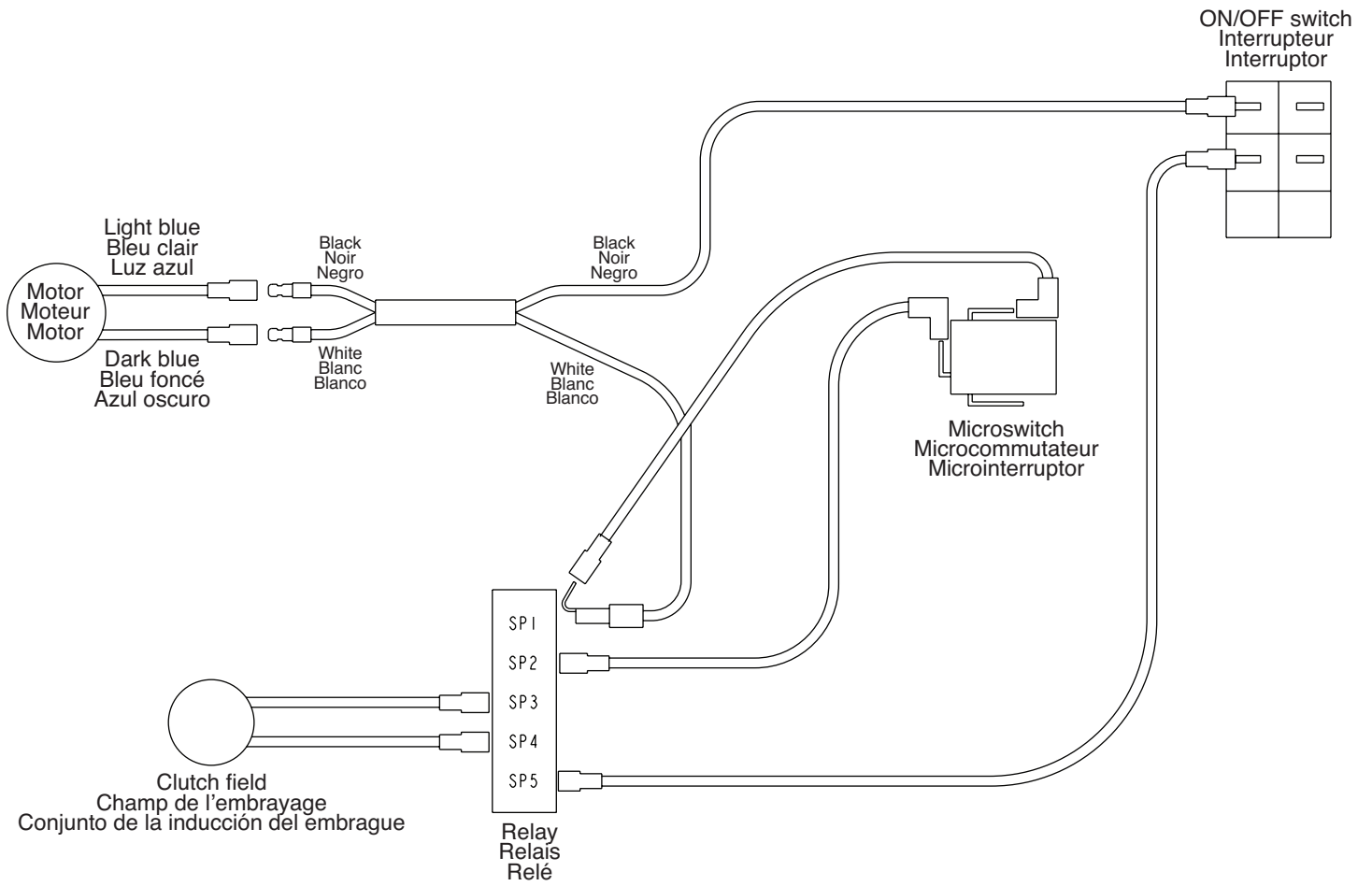
Labels • Étiquettes • Etiquetas

Part No. N° de pièce Pieza No.	English Description	Français Description	Español Descripción
0295840	Warning label, explosion	Étiquette d'avertissement (explosion)	Etiqueta de advertencia (explosión)
0295841	Warning label, injection	Étiquette d'avertissement (injection)	Etiqueta de advertencia (inyección)
0295805	Shock hazard label	Étiquette de risque de choc	Etiqueta del peligro de choque
0509819	"No Oil" label	Étiquette «Pas d'huile »	Etiqueta "Sin aceite"
0290800	Front cover label	Étiquette du couvercle avant	Etiqueta de la cubierta delantera

Accessories • Accessoires • Accesorios

Part No. N° de pièce Pieza No.	English Description	Français Description	Español Descripción
661-xxx	Tip Assembly	Embout	Conjunto de la punta
661-012	Tip Guard (7/8")	Protège-embout (7/8 po)	Protector para la punta (7/8")
550-227	Hose, Whip End, 6' x 1/4"	Tuyau flexible de 6 pi x 1/4 po	Extremo de conexión flexible de la manguera de 6' x 1/4"
316-513	Hose, Wireless, 25' x 1/4"	Tuyau sans fil de 25 pi x 1/4 po	Manguera, inalámbrica, 25' x 1/4"
316-505	Hose, Wireless, 50' x 1/4"	Tuyau sans fil de 50 pi x 1/4 po	Manguera, inalámbrica, 50' x 1/4"
0093896	Hose Connector, 1/4" x 1/4"M	Raccord de tuyau de 1/4 po x 1/4 po M	Conector de la manguera, 1/4" x 1/4"M
0088154	Pressure Gauge, 0–5000 PSI	Manomètre, 0–5000 PSI	Manómetro, 0–5000 PSI
311-050-9	9" Roller Cover, 1/2" Nap	Manchon de rouleau de 9 po, grain de 1/2 po	Cubierta de rodillo de 9" con lanilla de 1/2"
311-075-9	9" Roller Cover, 3/4" Nap	Manchon de rouleau de 9 po, grain de 3/4 po	Cubierta de rodillo de 9" con lanilla de 3/4"
311-125-9	9" Roller Cover, 1-1/4" Nap	Manchon de rouleau de 9 po, grain 1 1/4 po	Cubierta de rodillo de 9" con lanilla de 1-1/4"
0152235	12" Roller Cover, 1/2" Nap	Manchon de rouleau de 12 po, grain de 1/2 po	Cubierta de rodillo de 12" con lanilla de 1/2"
312-075-12	12" Roller Cover, 3/4" Nap	Manchon de rouleau de 12 po, grain 3/4 po	Cubierta de rodillo de 12" con lanilla de 3/4"
0152238	12" Roller Cover, 1-1/4" Nap	Manchon de rouleau de 12 po, grain de 1 1/4 po	Cubierta de rodillo de 12" con lanilla de 1-1/4"
0093930	Anti-Seize Compound	Composé anti-grippage	Compuesto antiadherente
0296329	G-10 XL Four Finger Airless Spray Gun (no tip)	Pistolet sans air à détente allongée (G 10 XL) (sans embout)	Pistola pulverizadora G-10 XL sin aire para cuatro dedos (sin punta)
0296235	G-10 XL Four Finger Airless Spray Gun with 517 reversible tip	Pistolet sans air à détente allongée (G 10 XL) avec embout réversible 517	Pistola pulverizadora G-10 XL sin aire para cuatro dedos con punta reversible 517
0296260	G-10 XL Two Finger Airless Spray Gun (no tip)	Pistolet sans air à détente courte (G-10 XL) (sans embout)	Pistola pulverizadora G-10 XL sin aire para dos dedos (sin punta)
0296236	G-10 XL Two Finger Airless Spray Gun with 517 reversible tip	Pistolet sans air à détente courte (G-10 XL) avec embout réversible 517	Pistola pulverizadora G-10 XL sin aire para dos dedos con punta reversible 517
0296326	G-10 XL Four Finger Spray Pack with 50' x 1/4" airless hose	Ensemble de pulvérisation sans air à détente allongée (G-10 XL), incluant un tuyau sans air de 50 pi x 1/4 po	Paquete de pulverización G-10 XL para cuatro dedos con manguera sin aire de 50' x 1/4"
0296327	G-10 XL Two Finger Spray Pack with 50' x 1/4" airless hose	Ensemble de pulvérisation sans air à détente courte (G-10 XL), incluant un tuyau sans air de 50 pi x 1/4 po	Paquete de pulverización G-10 XL para dos dedos con manguera sin aire de 50' x 1/4"
550-100	Airless Spray Gun with 517 reversible tip	Pistolet sans air avec embout réversible 517	Pistola pulverizadora sin aire con punta reversible 517
550-110	S-5 Spray Pack with 50' x 1/4" airless hose	Ensemble de pulvérisation (S-5), avec tuyau sans air de 50 pi x 1/4 po	Paquete de pulverización S-5 XL con manguera sin aire de 50' x 1/4"
0507958	Electrostatic discharge (ESD) wrist strap	Bracelet antistatique	Muñequera para descargas electrostáticas (ESD)
9870307	Grease, 6 lb. can	Graisse, contenant de 6 lb	Grasa, lata de 6 lb.

Electrical Schematic • Schéma de raccordement électrique • Esquema eléctrico



Garantie

Titan Tools, inc. (« Titan ») garantit qu'au moment de la livraison à l'acheteur original (« Utilisateur »), l'appareil couvert par la présente garantie sera exempt de défauts de matériaux et de fabrication. Les responsabilités de Titan en vertu de cette garantie se limitent au remplacement ou à la réparation sans frais des pièces dont on aura, à la satisfaction raisonnable de Titan, démontré la défectuosité dans un délai de 12 mois après la date d'achat par l'Utilisateur. Cette garantie ne s'applique que si l'appareil a été installé et utilisé conformément aux recommandations et directives de Titan.

Cette garantie ne s'applique pas dans les cas d'endommagement ou d'usure engendrés par de l'abrasion, de la corrosion, un mauvais usage, de la négligence, un accident, une installation incorrecte, un remplacement par des composants non fournis par Titan ou toute intervention non autorisée apte à nuire au fonctionnement normal de l'appareil.

Les pièces défectueuses doivent être envoyées à un centre de service/vente Titan autorisé; les frais de transport, incluant le retour à l'usine, le cas échéant, doivent être défrayés à l'avance par l'Utilisateur. Une fois remplacées ou réparées, les pièces seront renvoyées à ce dernier par transport prépayé.

AUCUNE AUTRE GARANTIE EXPLICITE N'EST DONNÉE. PAR LES PRÉSENTES, TITAN SE DÉGAGE DE TOUTE AUTRE GARANTIE IMPLICITE, INCLUANT, SANS TOUTEFOIS S'Y LIMITER, LES GARANTIES DE COMMERCIALITÉ ET D'ADAPTATION À UN USAGE PARTICULIER, DANS LES LIMITES PERMISES PAR LA LOI. LA DURÉE DES GARANTIES IMPLICITES NE POUVANT ÊTRE DÉCLINÉES SE LIMITE À LA PÉRIODE INDIQUÉE DANS LA GARANTIE EXPLICITE. LES RESPONSABILITÉS DE TITAN NE SAURAIENT EN AUCUN CAS SE CHIFFRER À UN MONTANT SUPÉRIEUR À CELUI DU PRIX D'ACHAT, ET CELLES RELATIVES AUX DOMMAGES CONSÉCUTIFS, ACCESSOIRES OU PARTICULIERS EN VERTU DE TOUTE GARANTIE SONT ÉGALEMENT DÉCLINÉES, DANS LES LIMITES PERMISES PAR LA LOI.

TITAN NE DONNE AUCUNE AUTRE GARANTIE EXPLICITE ET DÉCLINE TOUTE GARANTIE IMPLICITE DE COMMERCIALITÉ ET D'ADAPTATION À UN USAGE PARTICULIER RELATIVEMENT AUX ACCESSOIRES, À L'ÉQUIPEMENT, AUX MATÉRIAUX OU AUX COMPOSANTS VENDUS MAIS NON FABRIQUÉS PAR ELLE; CES ÉLÉMENTS (MOTEURS À ESSENCE, COMMUTATEURS, FLEXIBLES, ETC.) SONT PLUTÔT SOUMIS, LE CAS ÉCHÉANT, AUX GARANTIES DE LEUR FABRICANT. TITAN S'ENGAGE À OFFRIR UN SOUTIEN RAISONNABLE AUX UTILISATEURS QUI FERONT DES RÉCLAMATIONS RELATIVES À L'INOBSERVATION DE CES GARANTIES.

Brevets

Ces produits sont protégés par un ou plusieurs des brevets (U.S.A.) suivants :

6,031,352	5,848,566	5,769,321	5,725,364	5,671,656	5,435,697	5,228,842
5,346,037	5,252,210	5,217,238	5,192,425	4,908,538	4,768,929	4,744,571
D384,676	6,179,222	5,934,883	4,723,892			

Des fiches techniques de sécurité des produits (FTSS) sont disponibles sur le site Internet de Titan ou par téléphone en vous adressant au Service Client.

TITAN™

United States Sales & Service

Phone: 1-800-526-5362

Fax: 1-800-528-4826

1770 Fernbrook Lane
Minneapolis, MN 55447
www.titantool.com

Canadian Branch

Phone: 1-800-565-8665

Fax: 1-800-856-8496

200 Trowers Road, Unit 7B
Woodbridge, Ontario L4L 5Z8

International

Phone: 1-201-337-1240

Fax: 1-201-405-7449

1770 Fernbrook Lane
Minneapolis, MN 55447

Garantía

Titan Tool, Inc., ("Titan") garantiza que en el momento de la entrega al comprador original para su uso ("Usuario final"), el equipo cubierto por esta garantía está exento de defectos en material y fabricación. La obligación de Titan en virtud de esta garantía se limita a sustituir o reparar sin cargo las piezas que; a la entera satisfacción de Titan, demuestren estar defectuosas dentro de 12 meses después de la venta al usuario final. Esta garantía corresponde solamente cuando la unidad se instala y funciona según las recomendaciones e instrucciones de Titan.

Esta garantía no corresponde en el caso de daños o desgaste causados por abrasión, corrosión o uso indebido, negligencia, accidente, instalación errada, sustitución de piezas con componentes que no sean Titan o alteraciones con la unidad de tal modo que se vea afectado el funcionamiento normal.

Las piezas defectuosas deben devolverse a un centro de ventas y servicio autorizado de Titan. Todos los cargos de transporte, incluso la devolución a la fábrica, si es necesario, debe pagarlos previamente el usuario final. El equipo reparado o cambiado se devolverá al usuario final con porte prepago.

NO EXISTE NINGUNA OTRA GARANTÍA EXPRESA. TITAN DESCONOCE POR LA PRESENTE TODA OTRA GARANTÍA IMPLÍCITA INCLUSIVE ENTRE OTRAS, LAS DE COMERCIABILIDAD E IDONEIDAD PARA UN FIN PARTICULAR, EN LA MEDIDA QUE LO PERMITA LA LEY. LA DURACIÓN DE LAS GARANTÍAS IMPLÍCITAS QUE NO PUEDEN DESCONOCERSE SE LIMITA AL PLAZO ESPECIFICADO EN LA GARANTÍA EXPRESA. EN NINGÚN CASO EXCEDERÁ LA RESPONSABILIDAD DE TITAN EL MONTO DEL PRECIO DE COMPRA. LA RESPONSABILIDAD CIVIL POR DAÑOS Y PERJUICIOS RESULTANTES, FORTUITOS O ESPECIALES BAJO TODA GARANTÍA QUEDA EXCLUIDA EN LA MEDIDA QUE LO PERMITA LA LEY.

TITAN NO OFRECE GARANTÍAS Y DESCONOCE TODA GARANTÍA IMPLÍCITA DE COMERCIABILIDAD E IDONEIDAD PARA UN FIN PARTICULAR REFERENTE A ACCESORIOS, EQUIPO, MATERIALES O COMPONENTES VENDIDOS PERO NO FABRICADOS POR TITAN. AQUELLOS ARTÍCULOS VENDIDOS, PERO NO FABRICADOS POR TITAN (COMO LOS MOTORES DE GAS, INTERRUPTORES, MANGUERAS, ETC.) ESTÁN PROTEGIDOS POR LA GARANTÍA DE SU PROPIO FABRICANTE, SI LA HAY. TITAN PROPORCIONARÁ AL COMPRADOR ASISTENCIA RAZONABLE PARA EFECTUAR RECLAMOS EN CASO DE INCUMPLIMIENTO DE ESTAS GARANTÍAS.

Patentes

Estos productos están protegidos por una de las siguientes patentes (U.S.A.):

6,031,352	5,848,566	5,769,321	5,725,364	5,671,656	5,435,697	5,228,842
5,346,037	5,252,210	5,217,238	5,192,425	4,908,538	4,768,929	4,744,571
D384,676	6,179,222	5,934,883	4,723,892			

Las Hojas de Datos de Seguridad (Material Safety Data Sheets - MSDS) se encuentran disponibles en el sitio web de Titan o llamando al Servicio al Cliente.

TITAN™

United States Sales & Service

Phone: 1-800-526-5362
Fax: 1-800-528-4826

1770 Fernbrook Lane
Minneapolis, MN 55447
www.titantool.com

Canadian Branch

Phone: 1-800-565-8665
Fax: 1-800-856-8496

200 Trowers Road, Unit 7B
Woodbridge, Ontario L4L 5Z8

International

Phone: 1-201-337-1240
Fax: 1-201-405-7449

1770 Fernbrook Lane
Minneapolis, MN 55447

Warranty

Titan Tool, Inc., ("Titan") warrants that at the time of delivery to the original purchaser for use ("End User"), the equipment covered by this warranty is free from defects in material and workmanship. With the exception of any special, limited, or extended warranty published by Titan, Titan's obligation under this warranty is limited to replacing or repairing without charge those parts which, to Titan's reasonable satisfaction, are shown to be defective within twelve (12) months after sale to the End User. This warranty applies only when the unit is installed and operated in accordance with the recommendations and instructions of Titan.

This warranty does not apply in the case of damage or wear caused by abrasion, corrosion or misuse, negligence, accident, faulty installation, substitution of non-Titan component parts, or tampering with the unit in a manner to impair normal operation.

Defective parts are to be returned to an authorized Titan sales/service outlet. All transportation charges, including return to the factory, if necessary, are to be borne and prepaid by the End User. Repaired or replaced equipment will be returned to the End User transportation prepaid.

THERE IS NO OTHER EXPRESS WARRANTY. TITAN HEREBY DISCLAIMS ANY AND ALL IMPLIED WARRANTIES INCLUDING, BUT NOT LIMITED TO, THOSE OF MERCHANTABILITY AND FITNESS FOR A PARTICULAR PURPOSE, TO THE EXTENT PERMITTED BY LAW. THE DURATION OF ANY IMPLIED WARRANTIES WHICH CANNOT BE DISCLAIMED IS LIMITED TO THE TIME PERIOD SPECIFIED IN THE EXPRESS WARRANTY. IN NO CASE SHALL TITAN LIABILITY EXCEED THE AMOUNT OF THE PURCHASE PRICE. LIABILITY FOR CONSEQUENTIAL, INCIDENTAL OR SPECIAL DAMAGES UNDER ANY AND ALL WARRANTIES IS EXCLUDED TO THE EXTENT PERMITTED BY LAW.

TITAN MAKES NO WARRANTY AND DISCLAIMS ALL IMPLIED WARRANTIES OF MERCHANTABILITY AND FITNESS FOR A PARTICULAR PURPOSE WITH RESPECT TO ACCESSORIES, EQUIPMENT, MATERIALS OR COMPONENTS SOLD BUT NOT MANUFACTURED BY TITAN. THOSE ITEMS SOLD, BUT NOT MANUFACTURED BY TITAN (SUCH AS GAS ENGINES, SWITCHES, HOSES, ETC.) ARE SUBJECT TO THE WARRANTY, IF ANY, OF THEIR MANUFACTURER. TITAN WILL PROVIDE THE PURCHASER WITH REASONABLE ASSISTANCE IN MAKING ANY CLAIM FOR BREACH OF THESE WARRANTIES.

Material Safety Data Sheets (MSDS) are available on Titan's website or by calling Customer Service.

Patents

These products are covered by one or more of the following U.S. patents:

6,031,352	5,848,566	5,769,321	5,725,364	5,671,656	5,435,697	5,228,842
5,346,037	5,252,210	5,217,238	5,192,425	4,908,538	4,768,929	4,744,571
D384,676	6,179,222	5,934,883	4,723,892			

United States Sales & Service

Phone: 1-800-526-5362
Fax: 1-800-528-4826

1770 Fernbrook Lane
Minneapolis, MN 55447
www.titantool.com

Canadian Branch

Phone: 1-800-565-8665
Fax: 1-800-856-8496

200 Trowers Road, Unit 7B
Woodbridge, Ontario L4L 5Z8

International

Phone: 1-201-337-1240
Fax: 1-201-405-7449

1770 Fernbrook Lane
Minneapolis, MN 55447