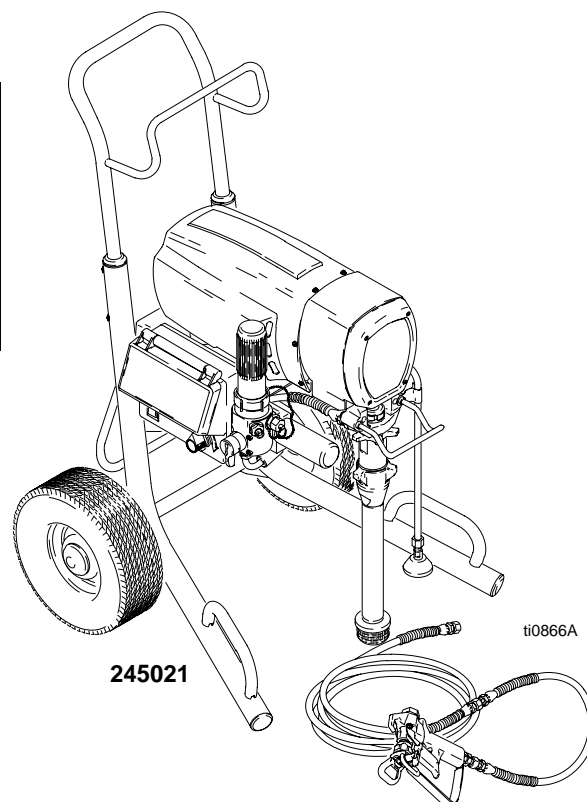


Ultra Max™ 795/1095 Airless Paint Sprayers

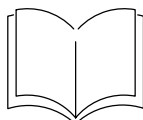
3300 psi (227 bar, 22.7 MPa) Maximum Working Pressure

120 VAC

| Type | Series | Hi-Boy | Lo-Boy | Spray Gun |
|-----------------|--------|----------------------------|--------|----------------------------------|
| Ultra Max 795™ | A | 245021 | 245023 | 243282 |
| Ultra Max 795™ | A | 245020 | 245022 | None |
| Ultra Max 1095™ | A | 245030 245031 245032 | | None 243282 None 243282 |



Related manuals



..... 309257

Operation



..... 309639

Spray Gun



..... 309251

Sprayer Repair



..... 309277

Pump Repair

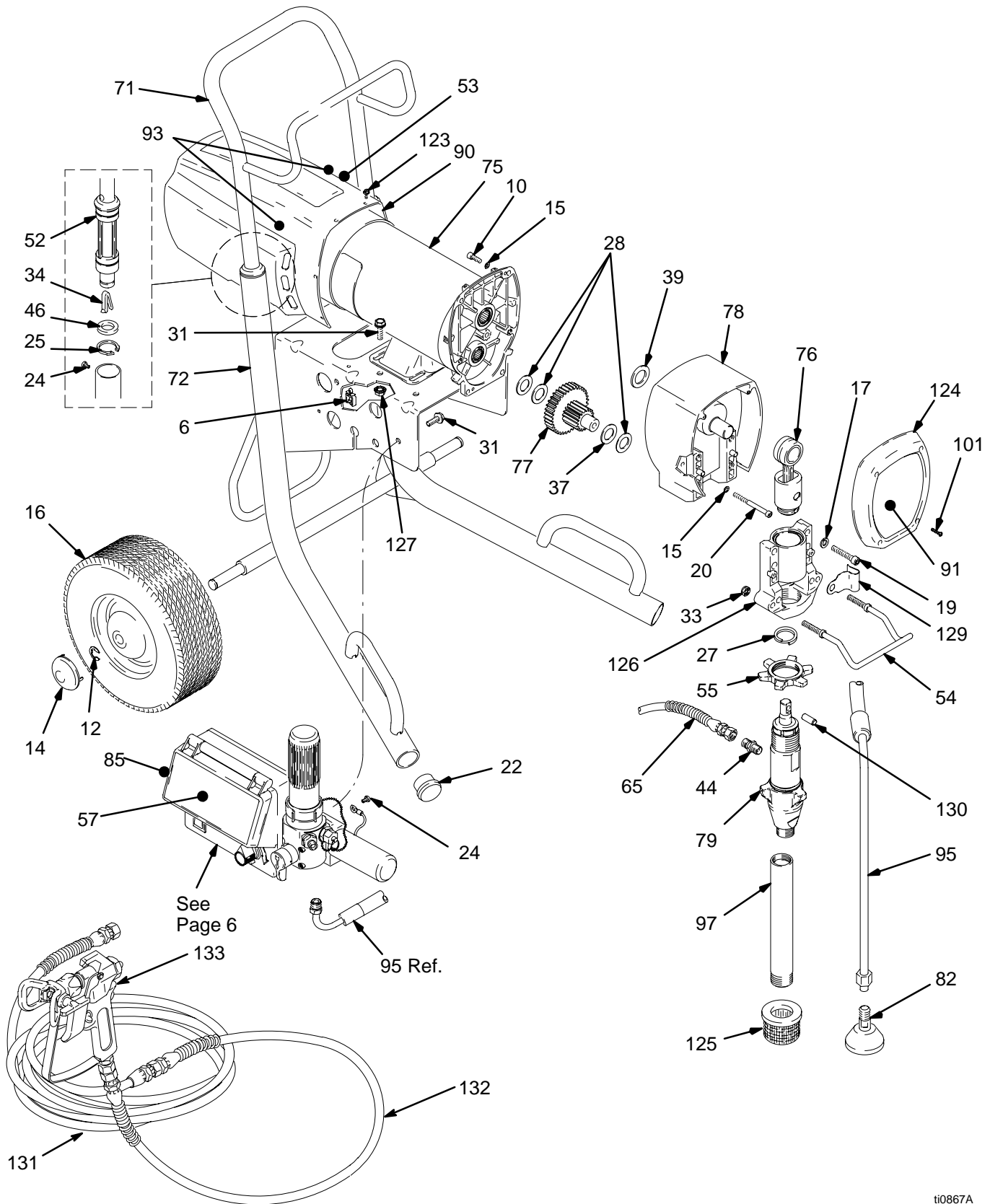


..... 309640

Spray Tip

Parts Drawing – Sprayer

Models 245020, 245021, 245030 – 245032



ti0867A

Parts List – Sprayer

Models 245020, 245021, 245030 – 245032

| REF NO. | PART NO. | DESCRIPTION | QTY | REF NO. | PART NO. | DESCRIPTION | QTY |
|---------|----------|--|-----|---------|----------|--|-----|
| 6 | 114687 | CLIP, retainer | 1 | | 244209 | 1095 | 1 |
| 10 | 100644 | SCREW, cap, sch | 4 | 79 | 244197 | PUMP, displacement | 1 |
| 12 | 101242 | RING, retaining, ext. | 2 | | | Manual 309277 | |
| 14 | 104811 | CAP, hub | 2 | 82 | 241920 | DEFLECTOR, threaded | 1 |
| 15 | 105510 | WASHER, lock, spring (hi-collar) | 6 | 85 | 195833▲ | LABEL, WARNING | 1 |
| 16 | 106062 | WHEEL, semi pneumatic | 2 | 90 | | SHIELD, motor | |
| 17 | 106115 | WASHER, lock spring (hi-collar) | 4 | | 244256 | 795 | 1 |
| 19 | 107210 | SCREW, cap, socket hd | 4 | | 244258 | 1095 | 1 |
| 20 | 107218 | SCREW, cap, sch | 2 | 91 | | LABEL, ident, front | |
| 22 | 108691 | PLUG, tubing | 2 | | 196716 | 795 | 1 |
| 24 | 109032 | SCREW, mach, pnh | 5 | | 196719 | 1095 | 1 |
| 25 | 110243 | RING, retaining | 2 | 93 | | LABEL, ident, side, Ultra | |
| 27 | 176817 | SPRING, retaining | 1 | | 196718 | 795 | 2 |
| 28 | 114672 | WASHER, thrust | 3 | | 196720 | 1095 | 2 |
| 31 | 111801 | SCREW, cap, hex hd | 6 | 95 | 244240 | HOSE, drain | 1 |
| 33 | 112746 | NUT, hex | 2 | 97 | 196968 | TUBE, intake | 1 |
| 34 | 112827 | BUTTON, snap | 1 | 101 | 114418 | SCREW, self tap, fil hd | 4 |
| 37 | 114699 | WASHER, thrust | 1 | 123 | 115492 | SCREW, mach, slot, hex wash hd | 6 |
| 39 | 161191 | WASHER, thrust | 1 | 124 | | COVER, housing | |
| 44 | 162453 | NIPPLE | 1 | | 244244 | 795 | 1 |
| 46 | 183350 | WASHER | 2 | | 244246 | 1095 | 1 |
| 52 | 192027 | SLEEVE, cart | 2 | 125 | 187147 | STRAINER, inlet | 1 |
| 53 | 195805▲ | LABEL, DANGER, ST | 1 | 126 | 240014 | HOUSING, bearing | 1 |
| 54 | 192719 | HANGER, pail | 1 | 127 | 110996 | NUT, hex, flanged | 4 |
| 55 | 192723 | NUT, retaining | 1 | 129 | 197124 | CLIP, spring | 1 |
| 57 | 196670 | LABEL, ctrl box cover, Ultra | 1 | 130 | 176818 | PIN, str, hdls | 1 |
| 61 | 206994 | FLUID, tsl 8 oz bottle | 1 | 131† | 240794 | HOSE, grounded, nylon, 1/4 in. ID, cpld 1/4 npsm(f), 50 ft (15 m) spring guards both ends | 1 |
| 65 | 243994 | HOSE, coupled, 1/4 in. x 16.25 in. | 1 | | | | |
| 71 | 239998 | HANDLE, cart | 1 | | | | |
| 72 | 196617 | FRAME, cart | 1 | 132† | 238358 | HOSE, grounded, nylon, 3/16 in. ID, cpld 1/4 npsm(f), 3 ft (.9 m), spring guards both ends | 1 |
| 75 | | MOTOR, electric | | | | | |
| | 243721* | 795 | 1 | | | | |
| | 243723* | 1095 | 1 | 133† | 246440 | SPRAY GUN | 1 |
| 76 | 241008 | ROD, connecting | 1 | | | Manual 309639 | |
| 77 | 244264 | GEAR, combination includes 28 and 37 | 1 | | | | |
| 78 | | HOUSING, drive | | | | | |
| | 244207 | 795 | 1 | | | | |

▲Extra Danger and Warning tags and labels available free.

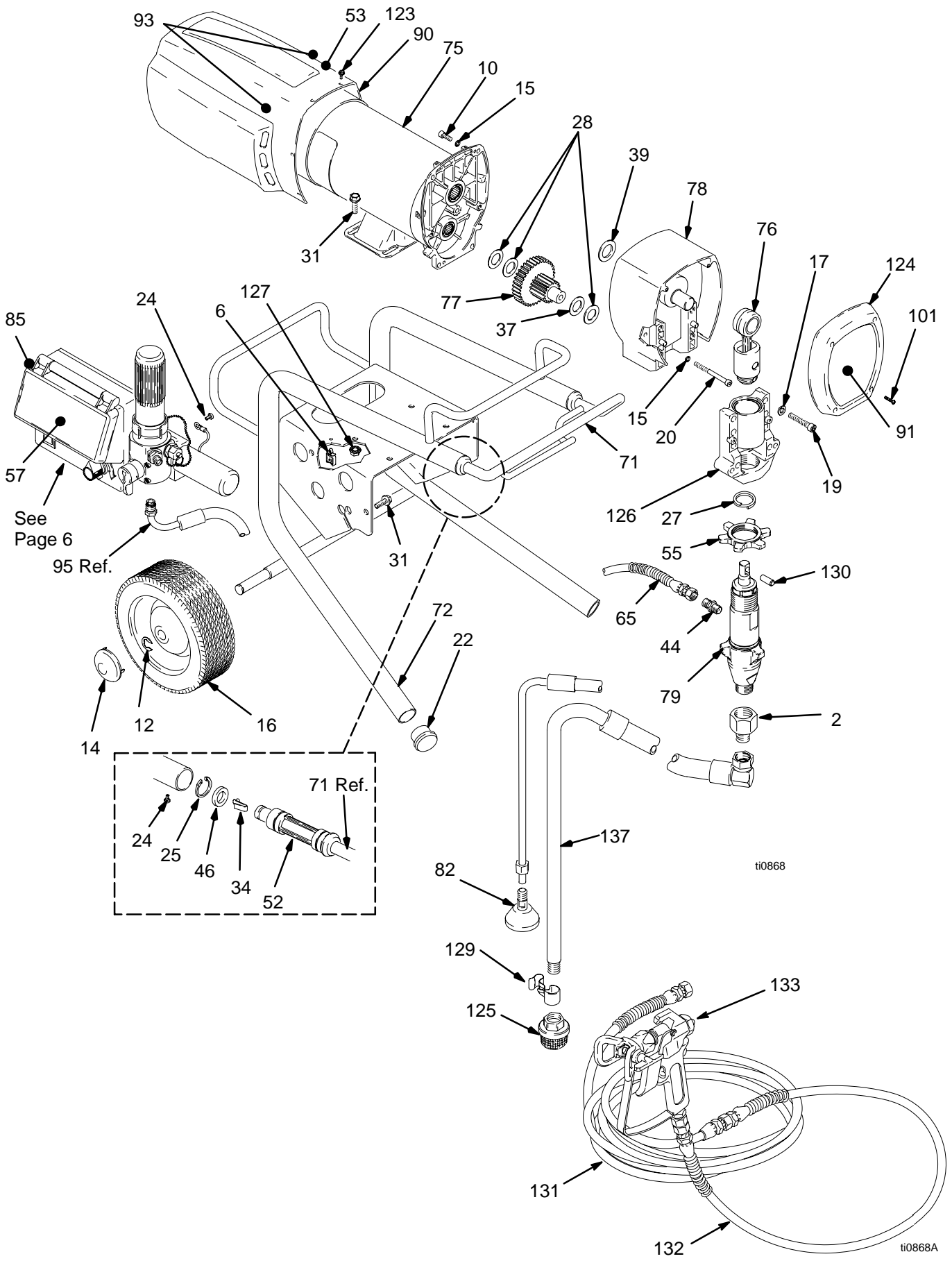
*Motor Brush Repair Kit 220853 is available.

Order separately.

†Not part of Model 245020, 245030, 245032

Parts Drawing – Sprayer

Models 245022 & 245023



ti0868

ti0868A

Parts List – Sprayer

Models 245022 & 245023

| REF NO. | PART NO. | DESCRIPTION | QTY | REF NO. | PART NO. | DESCRIPTION | QTY |
|---------|----------|----------------------------------|-----|---------|----------|--|-----|
| 2 | 104969 | BUSHING, reducing | 1 | 79 | 244197 | PUMP, displacement | 1 |
| 6 | 114687 | CLIP, retainer | 1 | | | Manual 309277 | |
| 10 | 100644 | SCREW, cap, sch | 4 | 82 | 241920 | DEFLECTOR, threaded | 1 |
| 12 | 101242 | RING, retaining, ext. | 2 | 85 | 195833▲ | LABEL, WARNING | 1 |
| 14 | 104811 | CAP, hub | 2 | 90 | 244256 | SHIELD, motor | 1 |
| 15 | 105510 | WASHER, lock, spring (hi-collar) | 6 | 91 | 196716 | LABEL, Ident, front | 1 |
| 16 | 195766 | WHEEL, semi pneumatic | 2 | 92 | 196811 | LABEL, wrap | 1 |
| 17 | 106115 | WASHER, lock spring (hi-collar) | 4 | 93 | 196718 | LABEL, ident, side, Ultra | 1 |
| 19 | 107210 | SCREW, cap, socket hd | 4 | 95 | 244239 | HOSE, drain | 1 |
| 20 | 107218 | SCREW, cap, sch | 2 | 101 | 114418 | SCREW, self tap, fil hd | 1 |
| 22 | 107310 | PLUG, tubing | 2 | 123 | 115492 | SCREW, mach, slot, hex | 1 |
| 24 | 109032 | SCREW, mach, pnh | 5 | 124 | 244244 | COVER, housing | 1 |
| 25 | 116227 | CLIP, retaining | 2 | 125 | 187651 | STRAINER, inlet | 1 |
| 27 | 176817 | SPRING, retaining | 1 | 126 | 240014 | HOUSING, bearing | 1 |
| 28 | 114672 | WASHER, thrust | 3 | 127 | 110996 | NUT, hex, flanged | 4 |
| 31 | 111801 | SCREW, cap, hex hd | 6 | 129 | 195186 | CLIP, spring | 1 |
| 34 | 178565 | BUTTON, snap | 1 | 130 | 176818 | PIN, str, hdls | 1 |
| 37 | 114699 | WASHER, thrust | 1 | 131† | 240794 | HOSE, grounded, nylon, 1/4 in. ID, cpld 1/4 npsm(f), 50 ft (15 m) spring guards both ends | 1 |
| 39 | 116191 | WASHER, thrust | 1 | | | | |
| 44 | 162453 | NIPPLE | 1 | | | | |
| 46 | 195673 | WASHER | 2 | 132† | 238358 | HOSE, grounded, nylon, 3/16 in. ID, cpld 1/4 npsm(f), 3 ft (.9 m), spring guards both ends | 1 |
| 52 | 195501 | SLEEVE, cart | 2 | | | | |
| 53 | 195805▲ | LABEL, DANGER, ST | 1 | | | | |
| 55 | 192723 | NUT, retaining | 1 | 133† | 246220 | SPRAY GUN | 1 |
| 57 | 196670 | LABEL, ctrl box cover, Ultra | 1 | | | Manual 309639 | |
| 61 | 206994 | FLUID, TSL 8 oz bottle | 1 | 134 | 104969 | BUSHING | 1 |
| 65 | 243994 | HOSE, coupled, 1/4" x 13" | 1 | 137 | 244358 | HOSE SET, suction | 1 |
| 71 | 243205 | HANDLE, cart | 1 | | | includes 82 95, 125, 129 | |
| 72 | 196746 | FRAME, cart, Lo-Boy | 1 | | | | |
| 75 | 243721 | MOTOR, ELECTRIC, 1.0HP | 1 | | | | |
| 76 | 241008 | ROD, connecting | 1 | | | | |
| 77 | 244264 | GEAR, COMBINATION | 1 | | | | |
| 78 | 244207 | HOUSING, drive | 1 | | | | |

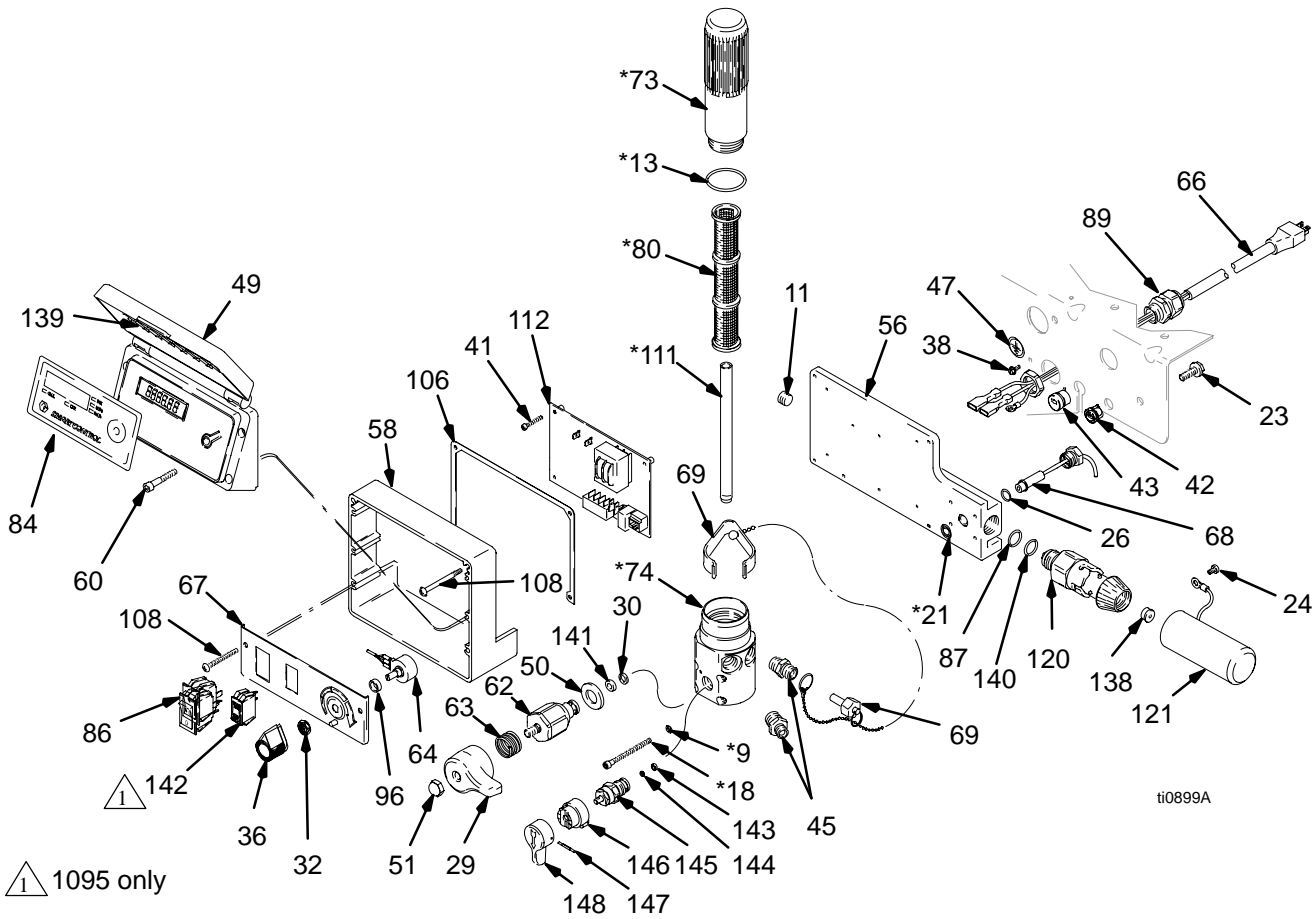
▲ *Extra Danger and Warning tags and labels available free.*

**Motor Brush Repair Kit 220853 is available. Order separately.*

† *Not part of Model 245020*

Parts Drawing – Sprayer

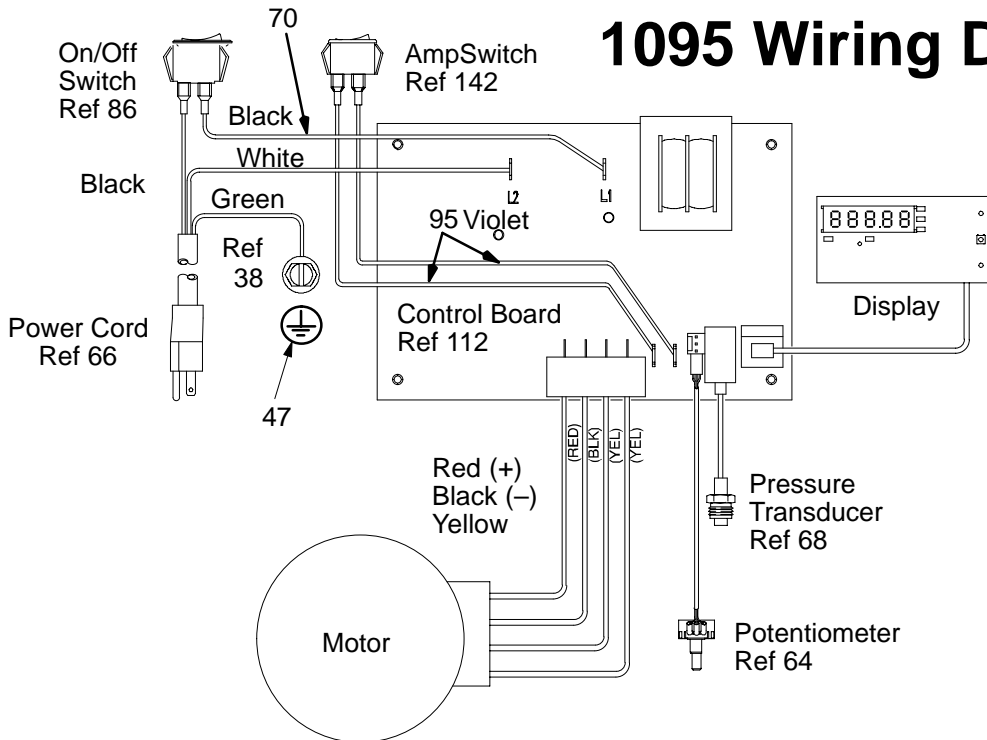
Models 245020 – 245023, 245030 – 245032



ti0899A

1 1095 only

1095 Wiring Diagram

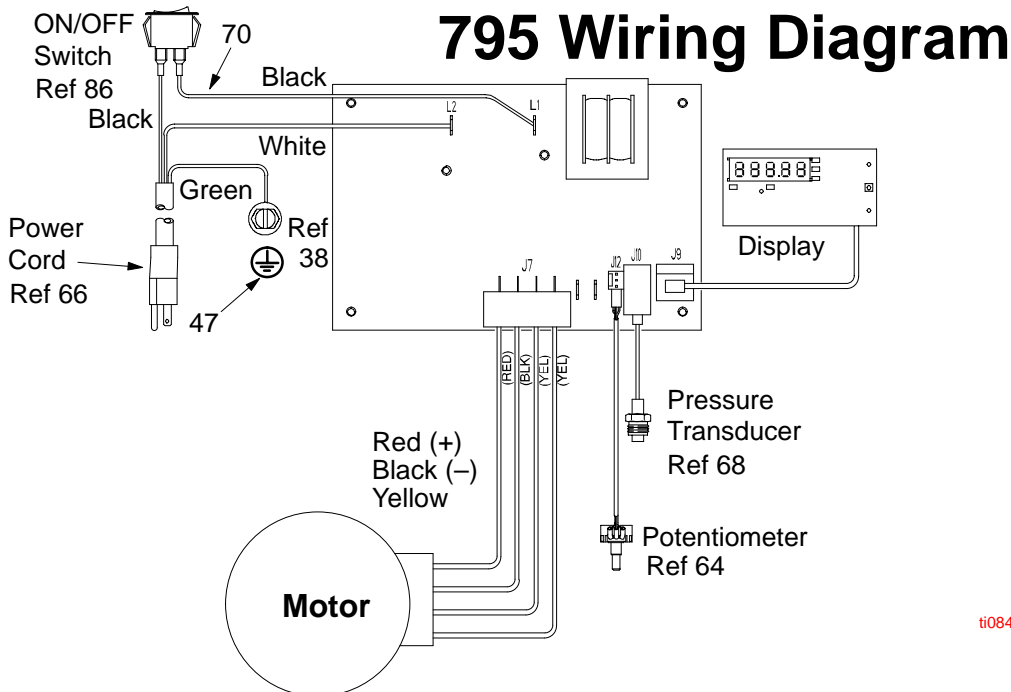


Parts List - Sprayer

Models 245020 – 245023, 245030 – 245032

| REF NO. | PART NO. | DESCRIPTION | QTY | REF NO. | PART NO. | DESCRIPTION | QTY |
|---------|----------|--|-----|---------|----------|--|-----|
| 9* | 100020 | WASHER, lock | 4 | 69 | 244289 | CLAMP, trigger, AutoClean | 1 |
| 11 | 100721 | PLUG, pipe | 1 | 70 | | CONNECTOR, electrical | |
| 13* | 104361 | PACKING, o-ring | 1 | | 197278 | 795 | 1 |
| 18* | 107183 | SCREW, cap,socket hd | 4 | | 197026 | 1095 | 1 |
| 21* | 107505 | PACKING, o-ring | 1 | 73* | 196675 | BOWL, filter | 1 |
| 23 | 111801 | SCREW, cap,hex hd | 2 | 74* | 196676 | HOUSING, filter | 1 |
| 24 | 109032 | SCREW, mach, pnh 1/4 x 10-32 unc | 1 | 80* | 244067 | FILTER, FLUID, 60-mesh | 1 |
| 26 | 111457 | PACKING, o-ring | 1 | 83 | 197156 | LABEL, instruction, (not shown) | 1 |
| 29 | 194102 | HANDLE, valve, 1095 | 1 | 84 | 196668 | LABEL, ULTRA, LCD | 1 |
| 30 | 193710 | SEAL, seat, valve, 1095 | 1 | 86 | 116098 | SWITCH, power | 1 |
| 32 | 112382 | NUT, shaft, sealing | 1 | 87 | 197055 | SEAL, washer | 1 |
| 36 | 116167 | KNOB, pot | 1 | 89 | 116171 | BUSHING, strain relief | 1 |
| 38 | 114391 | SCREW, grounding | 1 | 95 | 197027 | CONNECTOR, electrical | 2 |
| 41 | 114420 | SCREW, mach,pnh, sems, phillips | 6 | 96 | 116200 | SPACER, shaft | 1 |
| 42 | 116354 | BUSHING, strain relief | 1 | 106 | 196707 | GASKET, control, ULTRA | 1 |
| 43 | 114689 | BUSHING, strain relief | 1 | 108 | 116304 | SCREW, mach,pan hd | 4 |
| 45 | 164672 | ADAPTER | 2 | 111* | 196786 | DIFFUSER, tube | 1 |
| 47 | 186620 | LABEL, symbol, ground | 1 | 112 | 244237 | BOARD, control | 1 |
| 49 | 244228 | DISPLAY, digital includes 57, 84, 139 | 1 | 120 | 244253 | VALVE, flush includes 87 | 1 |
| 50 | 114797 | GASKET, 1095 | 1 | 121 | 197178 | COVER, AutoClean | 1 |
| 51 | 114688 | NUT, cap, 1095 | 1 | 138 | 115524 | GASKET | 1 |
| 56 | 196699 | PLATE, power bar | 1 | 139 | 196669 | LABEL, instruction | 1 |
| 58 | 196191 | HOUSING, control | 1 | 140 | 102982 | O-RING | 1 |
| 60 | 116252 | SCREW, #8 taptite phil | 4 | 141 | 193709 | SEAT, valve, 1095 | 1 |
| 62 | 245103 | VALVE, drain, 1095 includes 29, 30, 50, 51, 63, 141 | 1 | 142 | 116099 | SWITCH, 15/20A | 1 |
| 63 | 114708 | SPRING, compression, 1095 | 1 | 143 | 111699 | GASKET, seat, valve, 795 | 1 |
| 64 | 236352 | POTENTIOMETER, adjust, pressure | 1 | 144 | 187615 | SEAT, valve, 795 | 1 |
| 66 | | CORD, power | | 145 | 235014 | VALVE, drain, 795 includes 143, 144 | 1 |
| | 196831 | 795 | 1 | 146 | 224807 | BASE, valve, 795 | 1 |
| | 196836 | 1095 | 1 | 147 | 111600 | PIN, grooved, 795 | 1 |
| 67 | | PANEL, control | | 148 | 187625 | HANDLE, valve, drain, 795 | 1 |
| | 196678 | 795 | 1 | | | | |
| | 233129 | 1095 | 1 | | | | |
| 68 | 243222 | TRANSDUCER, pressure contl includes 26 | 1 | | | | |

* Included in Filter Repair Kit 244513



ti0848A

Graco Phone Number

TO PLACE AN ORDER, contact your Graco distributor, or call this number to identify the distributor closest to you:
1-800-690-2894 Toll Free

*All written and visual data contained in this document reflects the latest product information available at the time of publication.
Graco reserves the right to make changes at any time without notice.*

This manual contains English: mm 309260

Sales Offices: Minneapolis, Detroit
International Offices: Belgium, Korea, Hong Kong, Japan

www.graco.com

1/2001, Revised 5/2006