




Ultra Max II 695/795/1095/1595™

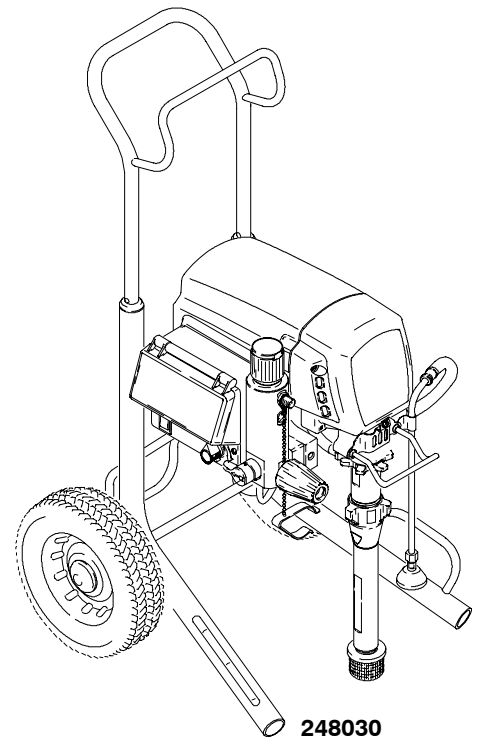
309943K

EN

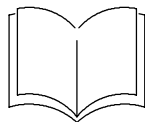
3300 psi (228 bar, 22.8 MPa) Maximum Working Pressure

Vac	Model	Standard/ Premium		
120 North America 	695	Standard	248037	248036
		Premium	248031	248030
	795	Standard	248308	248038
		Premium	248033	248032
	1095	Standard		248039
		Premium		248034
	1595	Standard		248747 248040*
		Premium		248746 248035*

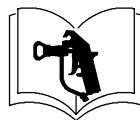
* Not ETL Approved



Related manuals



..... 309935



..... 309639



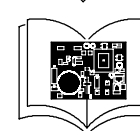
..... 309941



..... 310643



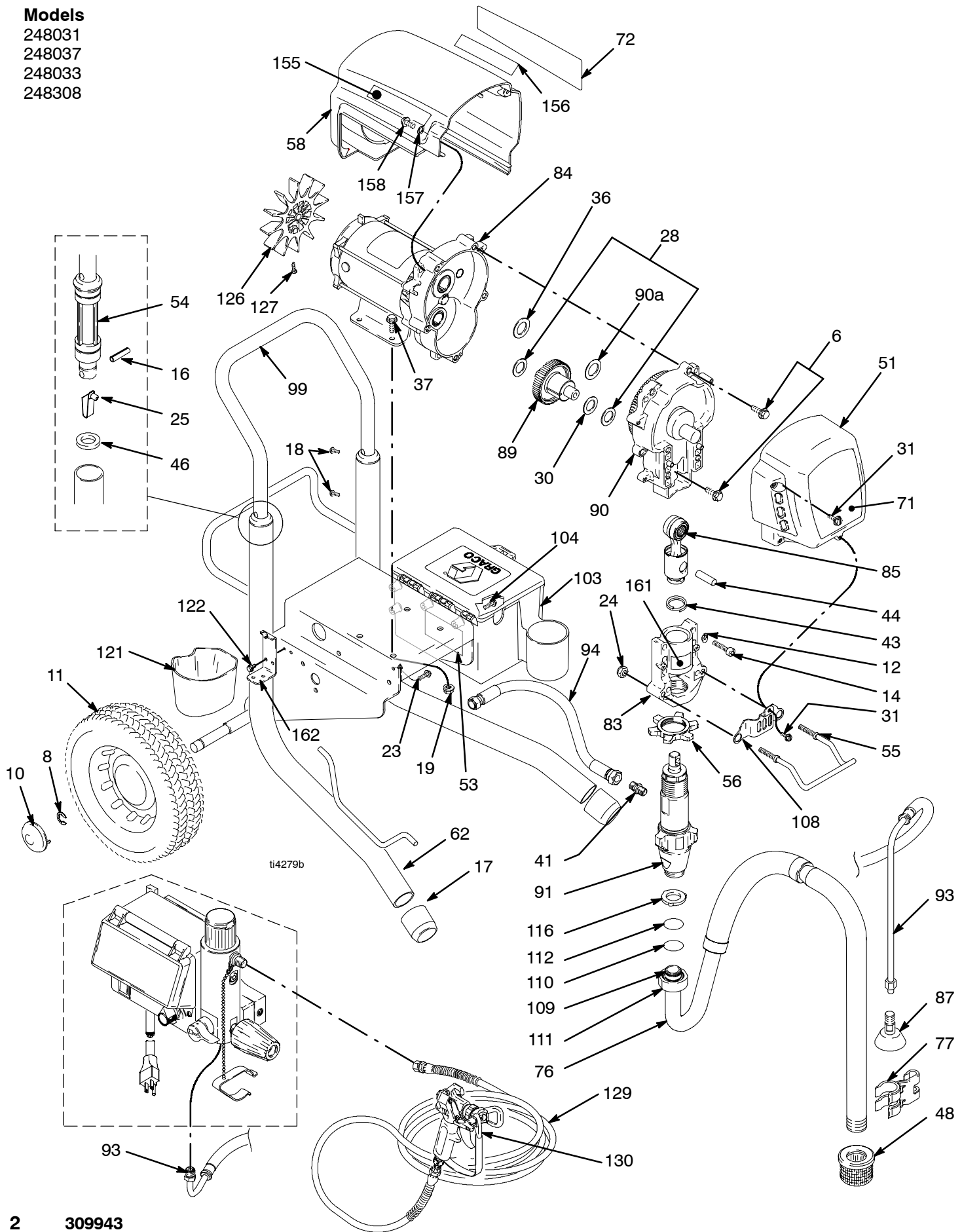
..... 309640



..... 310657

Parts Drawing - Sprayer

Models
 248031
 248037
 248033
 248308



Parts List - Sprayer

Ultra Max II 695: 248031, B; 248037, B

Ultra Max II 795: 248033, B; 248308, B

Ref No.	Part No.	Description	Qty	Ref No.	Part No.	Description	Qty
6	15C753	SCREW, mach, torx, hex wash hd	5	84		MOTOR, electric; includes 126, 127	
8	101242	RING, retaining, ext	2		287197	695	1
10	104811	CAP, hub	2		287198	795	1
11	106062	WHEEL, semi pneumatic	2	85	241008	ROD, connecting; includes 43	1
12	106115	WASHER, lock spring (hi-collar)	4	87	241920	DEFLECTOR, threaded	1
14	110141	SCREW, cap, socket hd	4	89	287289	GEAR, combination; includes 28, 30	1
16	108068	PIN, spring	2	90		HOUSING, drive; includes 6, 36, 90a	
17	15C871	CAP, leg	2		287283	695	1
18	109032	SCREW, mach, pnh	4		287284	795	1
19	110996	NUT, hex, flanged	4	90a	107089	WASHER, thrust	1
23	110963	SCREW, cap, flng hd	2	91	248204	PUMP, displacement; includes 109 Manual, 310643	1
24	112746	NUT, hex	2				
25	112827	BUTTON, snap	2	93	248217	HOSE, drain; includes 87	1
28	114672	WASHER, thrust	2	94	15D049	HOSE	1
30	114699	WASHER, thrust	1	99	15G023	HANDLE, cart	1
31	118444	SCREW, machine hex washer head	5	103†	287253	TOOL BOX; includes 104	1
36	116191	WASHER, thrust	1	104†	118852	SCREW, hex washer hd	3
37	100057	SCREW, hex hd	4	108	15C859	SHIELD, pump rod	1
41	162453	NIPPLE, (1/4 npsm x 1/4 npt)	1	109	117559	O-RING	2
43	176817	SPRING, retaining	1	110	15C981	WASHER, suction swivel	1
44	176818	PIN, str, hdls	1	111	15C980	NUT, jam	1
46	183350	WASHER	2	112	118505	RING, retaining, external	1
48	189920	STRAINER, (1-11 1/2 npsm)	1	116	115099	WASHER, garden hose	1
51	287291	COVER, drive, painted; includes 31	1	121	276975	CUP, drain	1
				122	114423	SCREW, hex hd	2
54	192027	SLEEVE, cart	2	126	15D088	FAN, motor	1
55	15D416	HANGER, pail	1	127	115477	SCREW, mach., torx pan hd	1
56	192723	NUT, retaining	1	128▲	222385	TAG, WARNING, (not shown)	1
58		SHIELD, motor, painted; includes 31		129†	240794	HOSE, cpld, 1/4 x 50 ft, unpkgd	1
	287281	695	1	130†	246220	GUN, contractor Manual 309639	1
	287282	795	1				
62	287168	FRAME, cart, Lo-boy	1	155		LABEL, model, left	
71		LABEL, front			15D722	Premium	1
	15D065	695	1		15D724	Standard	1
	15D068	795	1	156		LABEL, model, right	
72		LABEL, side			15D721	Premium	1
	15D066	695	1		15D723	Standard	1
	15D069	795	1	157	276980	GROMMET	2
76	248216	HOSE, suction; includes 109, 110, 111, 112, 116	1	158	119250	SCREW, shoulder	2
77	15D000	CLIP, drain line	1	161	187436	LABEL, torque	1
79	206994	FLUID, TSL, 8 oz (not shown)	1	162	15F952	BRACKET, suction	1
83	240523	HOUSING, bearing, includes 24, 55	1				

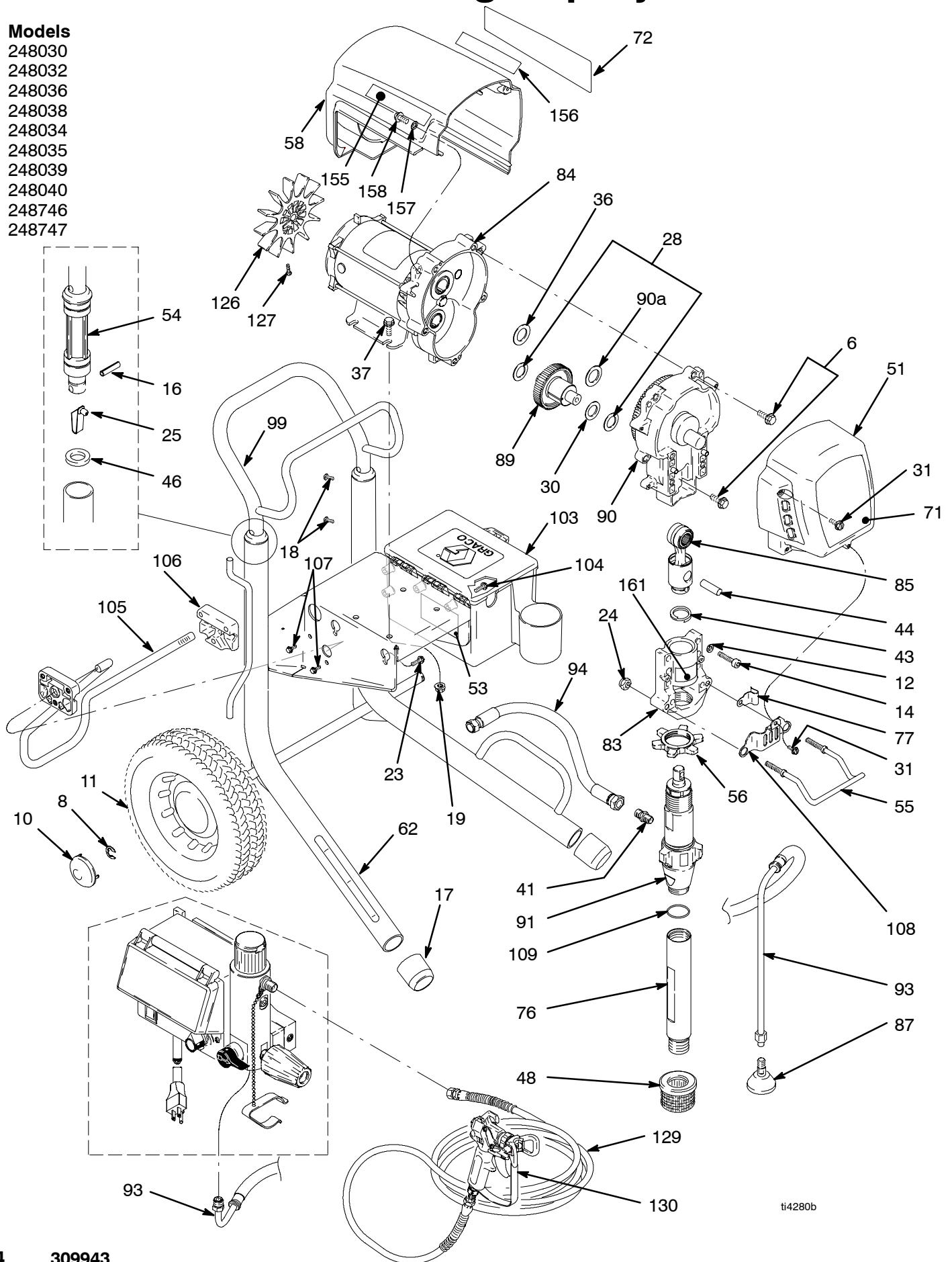
▲ Extra Danger and Warning tags and labels available free.

† Premium sprayers

Parts Drawing - Sprayer

Models

- 248030
- 248032
- 248036
- 248038
- 248034
- 248035
- 248039
- 248040
- 248746
- 248747



ti4280b

Parts List - Sprayer

Ultra Max II 695: 248030, B; 248036, B; Ultra Max II 795: 248032, B; 248038, B

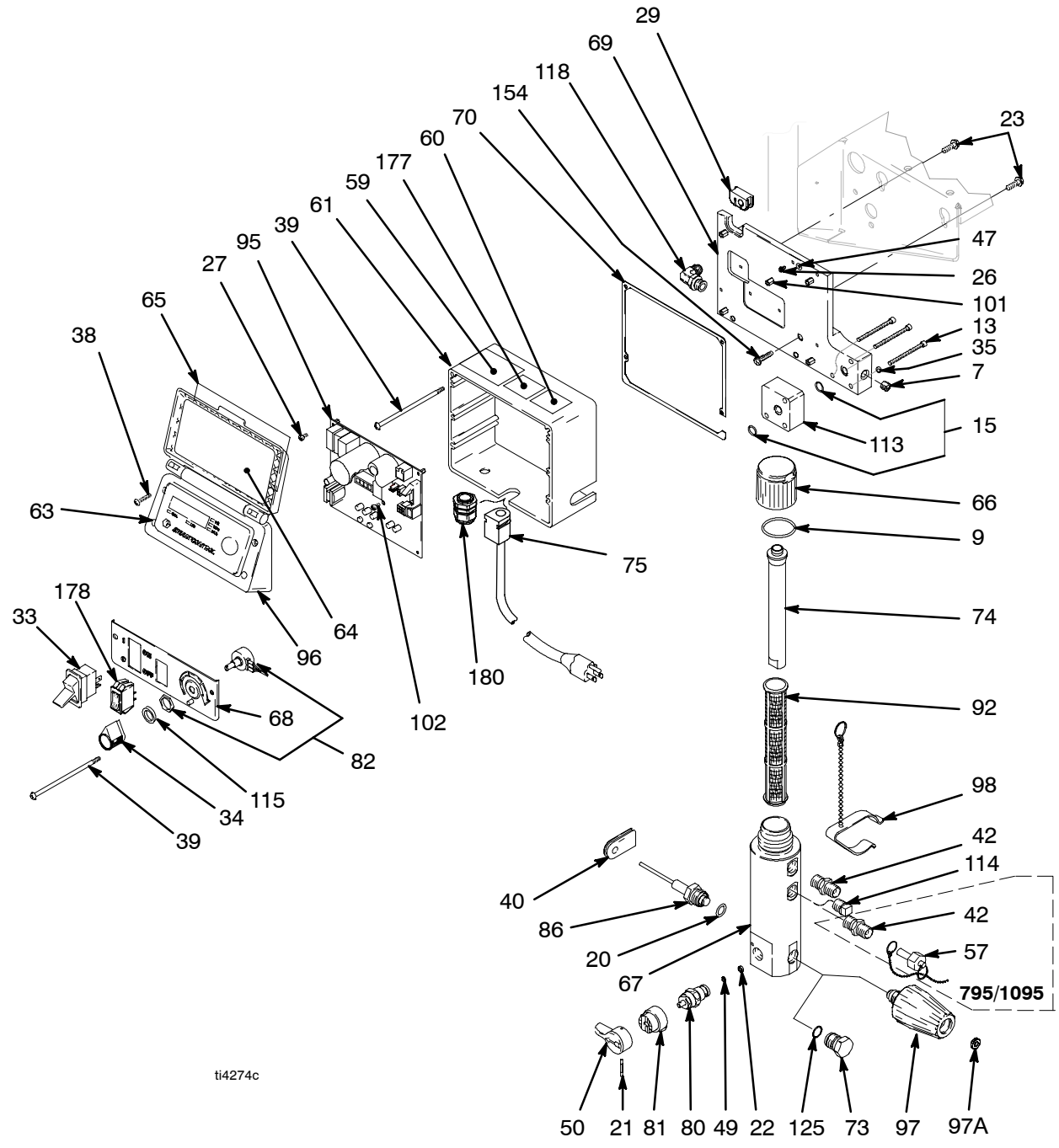
Ultra Max II 1095: 248034, B; 248039, B; Ultra Max II 1595: 248035, B; 248040, B; 248746, B; 248747, B

Ref.	Part No.	Description	Qty	Ref	Part No.	Description	Qty
6	15C753	SCREW, mach, torx, hex wash hd	5		15D075	1595	1
8	101242	RING, retaining, ext.	2	76		TUBE, intake; includes 109	
10	104811	CAP, hub	2		248214	695/795	1
11		WHEEL, semi pneumatic			248215	1095/1595	1
	106062	695/795	2	77	197124	CLIP, spring	1
	179811	1095/1595	2	79	206994	FLUID, TSL, 8 oz (not shown)	1
12	106115	WASHER, lock spring (hi-collar)	4	83		HOUSING, bearing; includes 24, 55	
14		SCREW, cap, socket hd			240523	695/795	1
	110141	695/795	4		241015	1095/1595	1
	114666	1095/1595	4	84		MOTOR, electric; includes 126, 127	
16	108068	PIN, spring straight	2		287197	695	1
17		CAP, leg			287198	795	1
	15C871	695/795	2		287199	1095	1
	276974	1095/1595	2		287200	1595	1
18		SCREW, mach, pnh		85		ROD, connecting; includes 43	
	109032	695/795	4		241008	695/795	1
	108795	1095/1595	4		241279	1095/1595	1
19	110996	NUT, hex, flanged	4	87	241920	DEFLECTOR, threaded	1
23	110963	SCREW, cap, flng hd	2	89		GEAR, combination; includes 28, 30	
24	112746	NUT, hex	2		287289	695/795	1
25	112827	BUTTON, snap	2		287290	1095/1595	1
28	114672	WASHER, thrust	2	90		HOUSING, drive; includes 6, 36, 90a	
30	114699	WASHER, thrust	1		287283	695	1
31	118444	SCREW, mach hex washer head	5		287284	795	1
36		WASHER, thrust			287294	1095	1
	116191	695/795	1		287295	1595	1
	116192	1095/1595	1	90a	107089	WASHER, thrust	1
37	100057	SCREW, hex hd	4	91		PUMP, displacement;	1
41		NIPPLE, (1/4 npsm x 1/4 npt)				Manual 310643	
	162453	695/795	1		248204	695/795	1
	162485	1095/1595	1		248205	1095/1595	1
43		SPRING, retaining		93	244240	HOSE, coupled; includes 87	1
	176817	695/795	1	94		HOSE	
	183169	1095/1595	1		15D049	695/795	1
44		PIN, str, hdls			15D360	1095/1595	1
	176818	695/795	1	99	245245	HANDLE, cart	1
	183210	1095/1595	1	103†	287253	TOOL BOX; includes 104	1
46	183350	WASHER	2	104†	118852	SCREW, hex washer hd	3
48	189920	STRAINER, (1-11 1/2 npsm)	1	105		HANGER, stand, cart	
51		COVER, drive, painted;			15D281	695/795	1
		includes 157, 158			15C858	1095/1595	1
	287291	695/795	1	106	15C982	CAM, cart	2
	287292	1095/1595	1	107	114531	SCREW, flange, hex	4
54		SLEEVE, cart		108		SHIELD, pump rod	
	192027	695/795	2		15C859	695/795	1
	191084	1095/1595	2		15C762	1095/1595	1
55	192719	HANGER, pail	1	109	118494	O-RING	1
56		NUT, retaining		126	15D088	FAN, motor	1
	192723	695/795	1	127	115477	SCREW, mach, torx pan hd	1
	193031	1095/1595	1	128▲	222385	TAG, WARNING (not shown)	1
58		SHIELD, mtr, painted; includes 157, 158		129†	240794	HOSE, cpld, 1/4 in. x 50 ft	1
	287281	695	1	130†	246220	GUN, Contractor;	1
	287282	795/1095/1595	1			Manual 309640	
62		FRAME, cart		155		LABEL, model, left	
	287165	695/795	1		15D722	Premium	1
	287207	1095/1595	1		15D724	Standard	1
71		LABEL, front		156		LABEL, model, right	
	15D065	695	1		15D721	Premium	1
	15D068	795	1		15D723	Standard	1
	15D071	1095	1	157	276980	GROMMET	2
	15D074	1595	1	158	119250	SCREW, shoulder	2
72		LABEL, side		161	187436	LABEL, torque	1
	15D066	695	1				
	15D069	795	1				
	15D072	1095	1				

▲ Extra Danger and Warning tags and labels available free.

† Premium sprayers

Parts Drawing - Sprayer



ti4274c

Parts List - Sprayer

Ultra Max II 695/795/1095/1595

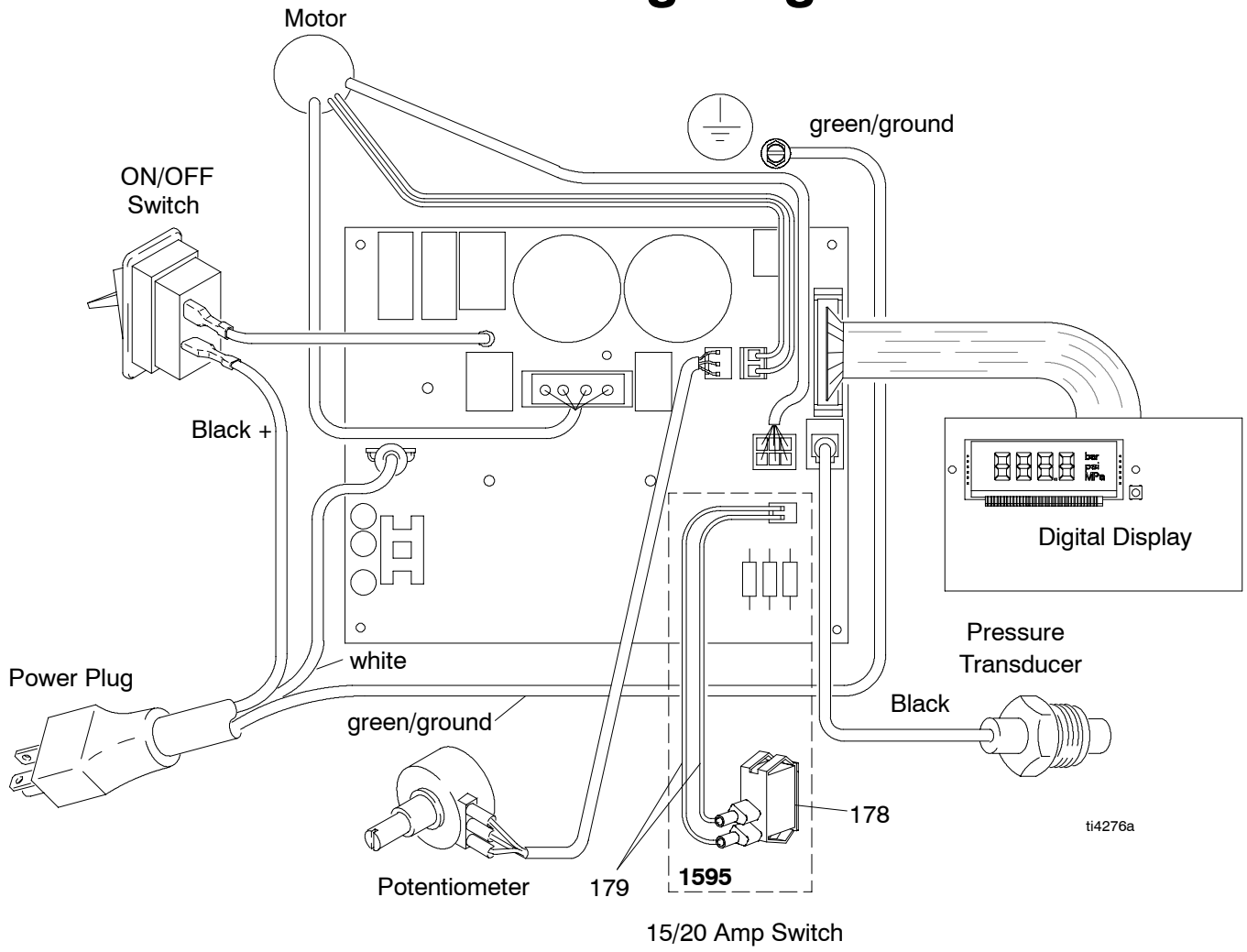
Ref No.	Part No.	Description	Qty	Ref No.	Part No.	Description	Qty
7	100721	PLUG, pipe	1	70	15D036	GASKET, control box	1
9	117285	O-RING	1	73	248314	PLUG, AutoClean (Standard) includes 125	1
13	C19817	SCREW, cap, socket hd	3	74	15C766	TUBE, diffusion	1
15	107505	O-RING	2	75		CORD, power	
20	111457	O-RING	1		15D029	695/795/1095	1
21	15C972	PIN, grooved	1		15E357	1595, ETL Approved	1
22	111699	GASKET, seat, valve	1		15E355	1595, not ETL Approved	1
23	110963	SCREW, cap, flg hd	2	80	235014	VALVE, drain; includes 22, 49	1
26	114391	SCREW, grounding	1	81	224807	BASE, valve	1
27	113045	SCREW, sems, mach, phil truss	5	82	236352	POTENTIOMETR, adj, pressure	1
29	15D087	GROMMET	1	86	243222	TRANSDUCER, press ctrl; includes 20	1
33	15C979	SWITCH, rocker	1	92		FILTER, fluid	
34	116167	KNOB, potentiometer	1		244071	30 mesh	1
35	105510	WASHER, lock, spring (hi-collar)	3		244067	60 mesh, original equipment	1
38	116252	SCREW, #8 taptite phil	4		244068	100 mesh	1
39	112381	SCREW, mach, pan hd	4		244069	200 mesh	1
40	15D033	GROMMET, transducer	1	95	287247	CONTROL, bd, 120V; includes 27, 102	1
42		ADAPTER		96		COVER, control	
	164672	695	1		246560	Standard (includes 38)	1
	164672	795/1095/1595	2		287286	Premium; includes 38, 63, 64, 65	1
47	186620	LABEL, symbol, ground	1	97	287293	VALVE, AutoClean; includes 97a	1
49	187615	SEAT, valve	1	97a	15F950	GASKET	1
50	15C780	HANDLE, valve, drain	1	98	244346	KIT, repair, clamp, trigger	1
57	240131	STEM, plug, packless	1	101	15D160	STUD, board	5
59▲	15D523	LABEL, DANGER	1	102	114420	SCREW, mach, pnh, sems	3
60▲	195833	LABEL, WARNING	1	113	15F844	SPACER, filter, base	1
61		BOX, control		114	104813	PLUG, pipe,	1
	15C854	695/795/1095	1	115	15C973	GASKET	1
	15E462	1595	1	118	116793	FITTING, elbow, hydraulic	1
63	198648	LABEL, LCD (Premium)	1	125	15D541	GASKET (Standard)	1
64	15D063	LABEL, instruction	1	154	115478	SCREW, Torx, pan hd	1
65		LABEL, cover, control box		177	198278	LABEL, warning	1
	196670	Premium	1	178‡	116099	SWITCH, 15A/20A	1
	15D609	Standard	1	179‡	15E390	CONNECTOR	1
66	287285	CAP, filter; includes 9, 74	1	180‡	116171	BUSHING	1
67	15C838	BASE, filter	1				
68		PANEL, control					
	15C947	695/795/1095	1				
	15E354	1595	1				
69	15C840	PLATE, power bar	1				

▲ Extra Danger and Warning tags and labels available free.

† Premium sprayers

‡ 1595 sprayers

Wiring Diagram



Graco Standard Warranty

Graco warrants all equipment manufactured by Graco and bearing its name to be free from defects in material and workmanship on the date of sale by an authorized Graco distributor to the original purchaser for use. With the exception of any special, extended, or limited warranty published by Graco, Graco will, for a period of twelve months from the date of sale, repair or replace any part of the equipment determined by Graco to be defective. This warranty applies only when the equipment is installed, operated and maintained in accordance with Graco's written recommendations.

This warranty does not cover, and Graco shall not be liable for general wear and tear, or any malfunction, damage or wear caused by faulty installation, misapplication, abrasion, corrosion, inadequate or improper maintenance, negligence, accident, tampering, or substitution of non-Graco component parts. Nor shall Graco be liable for malfunction, damage or wear caused by the incompatibility of Graco equipment with structures, accessories, equipment or materials not supplied by Graco, or the improper design, manufacture, installation, operation or maintenance of structures, accessories, equipment or materials not supplied by Graco.

This warranty is conditioned upon the prepaid return of the equipment claimed to be defective to an authorized Graco distributor for verification of the claimed defect. If the claimed defect is verified, Graco will repair or replace free of charge any defective parts. The equipment will be returned to the original purchaser transportation prepaid. If inspection of the equipment does not disclose any defect in material or workmanship, repairs will be made at a reasonable charge, which charges may include the costs of parts, labor, and transportation.

THIS WARRANTY IS EXCLUSIVE, AND IS IN LIEU OF ANY OTHER WARRANTIES, EXPRESS OR IMPLIED, INCLUDING BUT NOT LIMITED TO WARRANTY OF MERCHANTABILITY OR WARRANTY OF FITNESS FOR A PARTICULAR PURPOSE.

Graco's sole obligation and buyer's sole remedy for any breach of warranty shall be as set forth above. The buyer agrees that no other remedy (including, but not limited to, incidental or consequential damages for lost profits, lost sales, injury to person or property, or any other incidental or consequential loss) shall be available. Any action for breach of warranty must be brought within two (2) years of the date of sale.

Graco makes no warranty, and disclaims all implied warranties of merchantability and fitness for a particular purpose in connection with accessories, equipment, materials or components sold but not manufactured by Graco. These items sold, but not manufactured by Graco (such as electric motors, switches, hose, etc.), are subject to the warranty, if any, of their manufacturer. Graco will provide purchaser with reasonable assistance in making any claim for breach of these warranties.

In no event will Graco be liable for indirect, incidental, special or consequential damages resulting from Graco supplying equipment hereunder, or the furnishing, performance, or use of any products or other goods sold hereto, whether due to a breach of contract, breach of warranty, the negligence of Graco, or otherwise.

FOR GRACO CANADA CUSTOMERS

The parties acknowledge that they have required that the present document, as well as all documents, notices and legal proceedings entered into, given or instituted pursuant hereto or relating directly or indirectly hereto, be drawn up in English. Les parties reconnaissent avoir convenu que la rédaction du présente document sera en Anglais, ainsi que tous documents, avis et procédures judiciaires exécutés, donnés ou intentés à la suite de ou en rapport, directement ou indirectement, avec les procédures concernées.

TO PLACE AN ORDER OR FOR SERVICE, contact your Graco distributor, or call this number to identify the distributor near you: **1-800-690-2894 Toll Free**

All written and visual data contained in this document reflects the latest product information available at the time of publication. Graco reserves the right to make changes at any time without notice.

Original instructions. This manual contains English. MM 309943

Graco Headquarters: Minneapolis

International Offices: Belgium, China, Japan, Korea

GRACO INC. AND SUBSIDIARIES P.O. BOX 1441 MINNEAPOLIS, MN 55440-1441 USA

Copyright 2003, Graco Inc. All Graco manufacturing locations are registered to ISO 9001

www.graco.com

Revised 08/2011